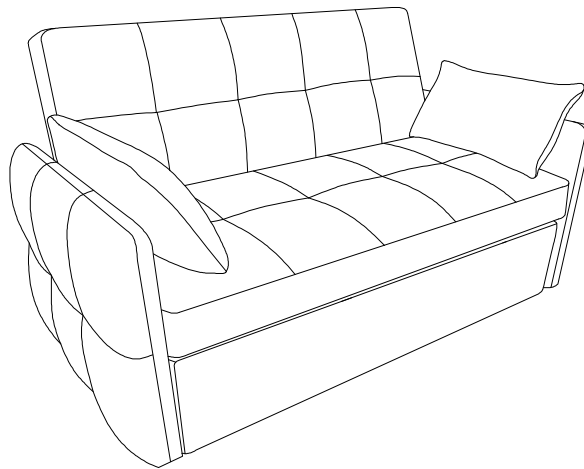


# CHELSEA SOFA BED ASSEMBLY INSTRUCTIONS



## IMPORTANT FOR DOMESTIC USE ONLY PLEASE READ BEFORE YOU CONTINUE FURTHER

THE PRODUCT YOU HAVE PURCHASED WILL GIVE YOU MANY YEARS OF SERVICE IF YOU FOLLOW THE GUIDELINES FOR ITS SAFE ASSEMBLY AND PERIODIC MAINTENANCE AND CLEANING.

ASSEMBLE ON A SOFT CLEAN SURFACE.

DO NOT USE ANY TOOLS OTHER THAN THOSE SHOWN

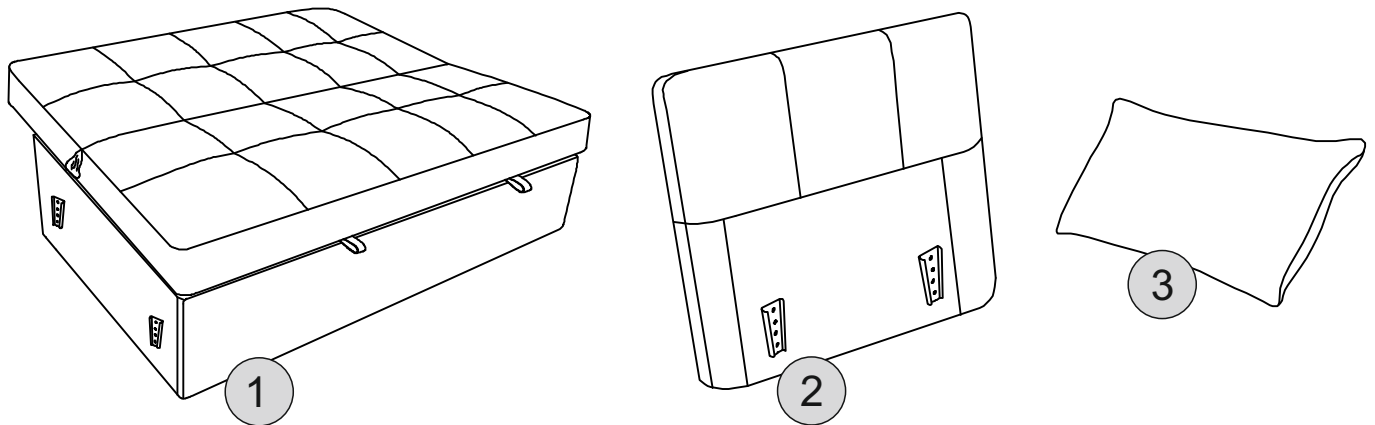
ANY SPANNERS OR ALLEN KEYS REQUIRED ARE INCLUDED WITH THE FITTINGS KIT.

DO NOT FOR ANY REASON USE A POWER TOOL TO ASSEMBLE THIS PRODUCT. ITS USE WILL INVALIDATE ANY CLAIM YOU MAY HAVE AND COULD MAKE THIS PRODUCT UNSAFE.

DEPENDING ON THE AMOUNT OF USE THIS PRODUCT RECEIVES IT MAY BE NECESSARY TO TIGHTEN UP THE FIXINGS FROM TIME TO TIME. THIS IS COMPLETELY NORMAL FOR ANY FLAT PACK FURNITURE.  
DO NOT OVERTIGHTEN FIXINGS.

FOR CLEANING YOU MAY USE A DAMP CLOTH (NOT WET).

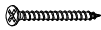
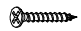


THIS PRODUCT MAY STAIN OR MARK IF ALLOWED TO COME INTO CONTACT WITH WET OR DAMP OBJECTS AS MATERIALS USED HAVE NOT BEEN TREATED WITH SCOTCH GUARD.



### PARTS LIST

| Part Number | Part Code           | Part Description | Quantity | Carton |
|-------------|---------------------|------------------|----------|--------|
| 1           | S300-308-065-MP1-01 | Sofa Bed         | 1        | 1/1    |
| 2           | S300-308-065-MP1-02 | Sofa Arms        | 2        | 1/1    |
| 3           | S300-308-065-MP1-03 | Cushion          | 2        | 1/1    |

### HARDWARE LIST

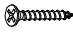
| No. | Part Name          |   | Qty |
|-----|--------------------|---|-----|
| A   | Wood Screw M5x40mm |  | 04  |
| B   | Wood Screw M4x25mm |  | 16  |
| C   | Plastic Foot       |  | 04  |
| D   | Wheel Castor       |  | 04  |

# STEP 1

## PARTS REQUIRED

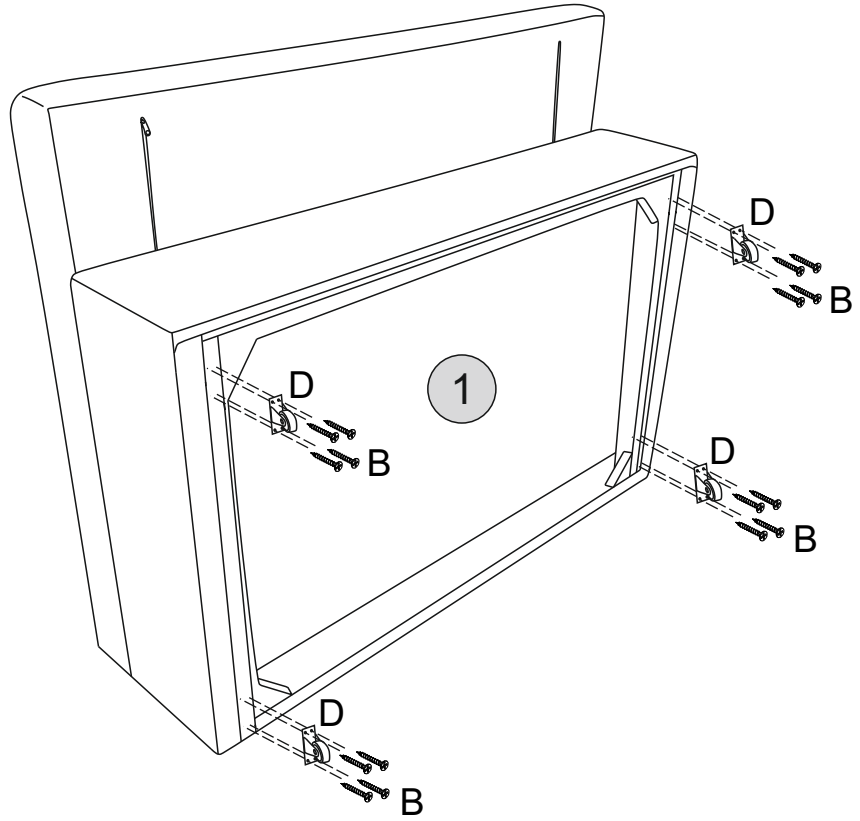
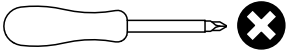
1 - SOFA BED x1

## HARDWARE REQUIRED

B  16

D  04

## TOOLS REQUIRED

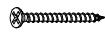


# STEP 2

## PARTS REQUIRED

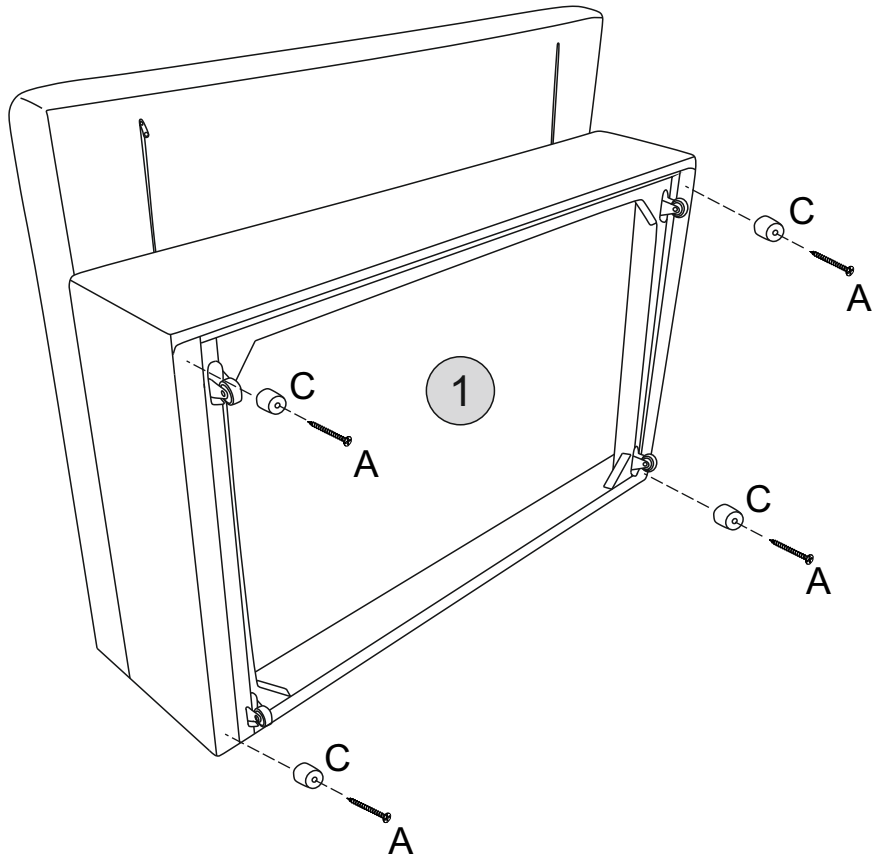
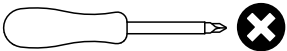
1 - SOFA BED x1

## HARDWARE REQUIRED

A  04

C  04

## TOOLS REQUIRED



# STEP 3

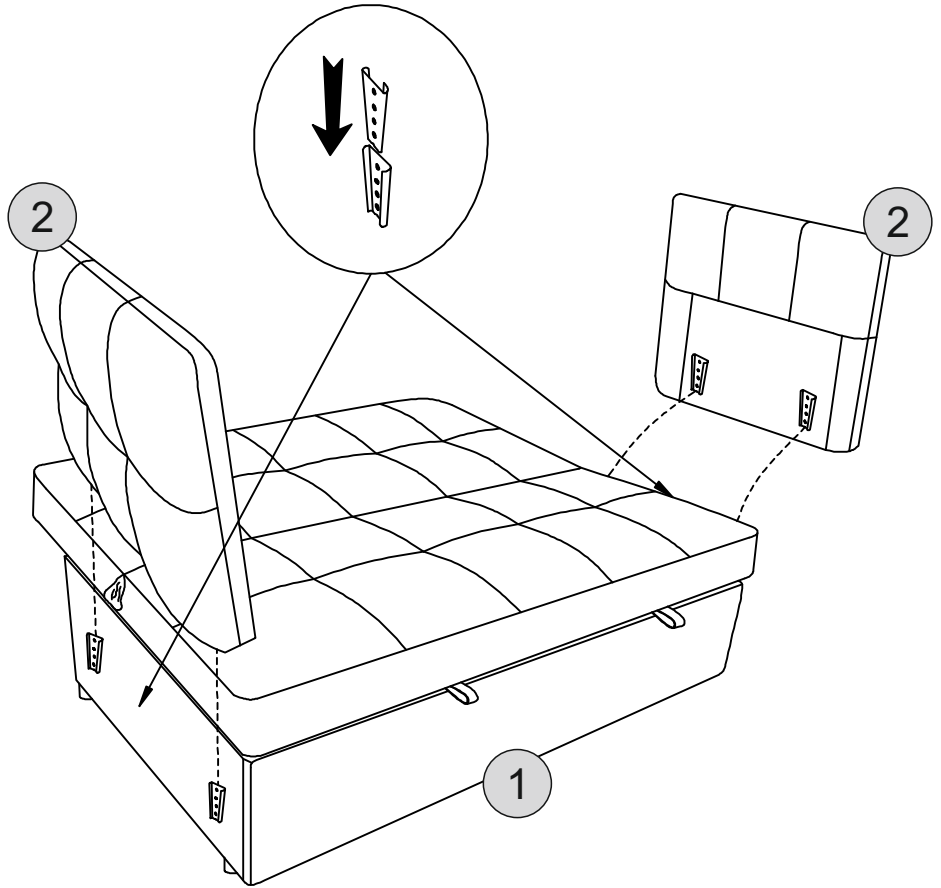
PARTS REQUIRED

1 - SOFA BED x1

2 - SOFA ARMS x2

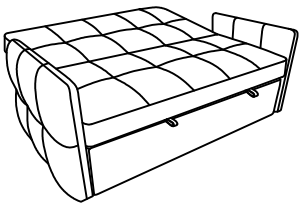
HARDWARE REQUIRED

TOOLS REQUIRED



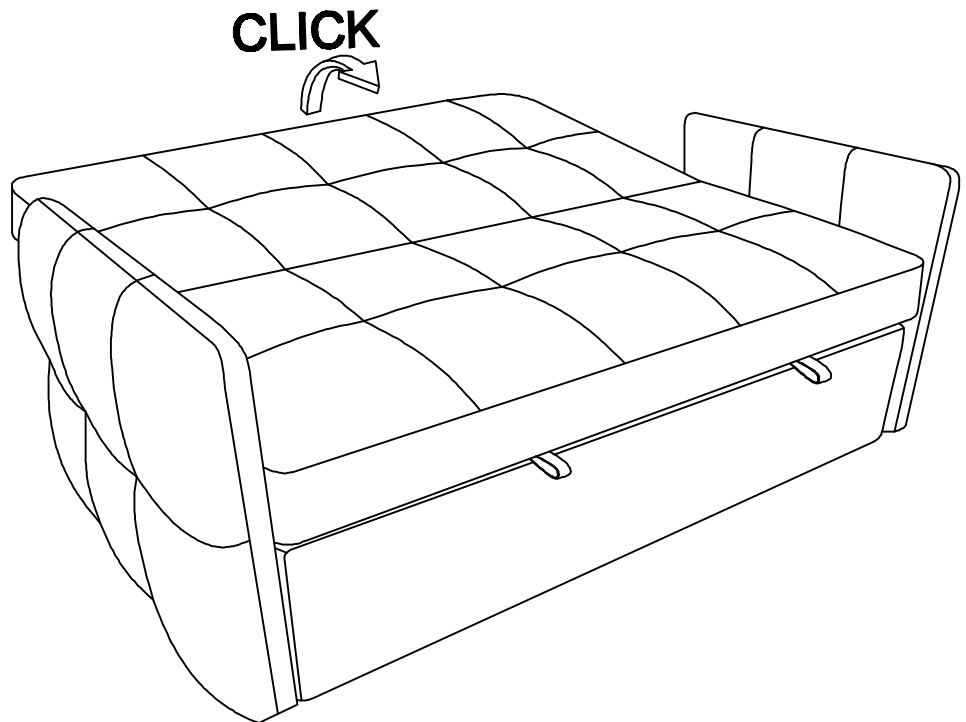
# STEP 4

PARTS REQUIRED



HARDWARE REQUIRED

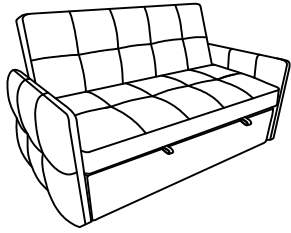
TOOLS REQUIRED



# STEP 5

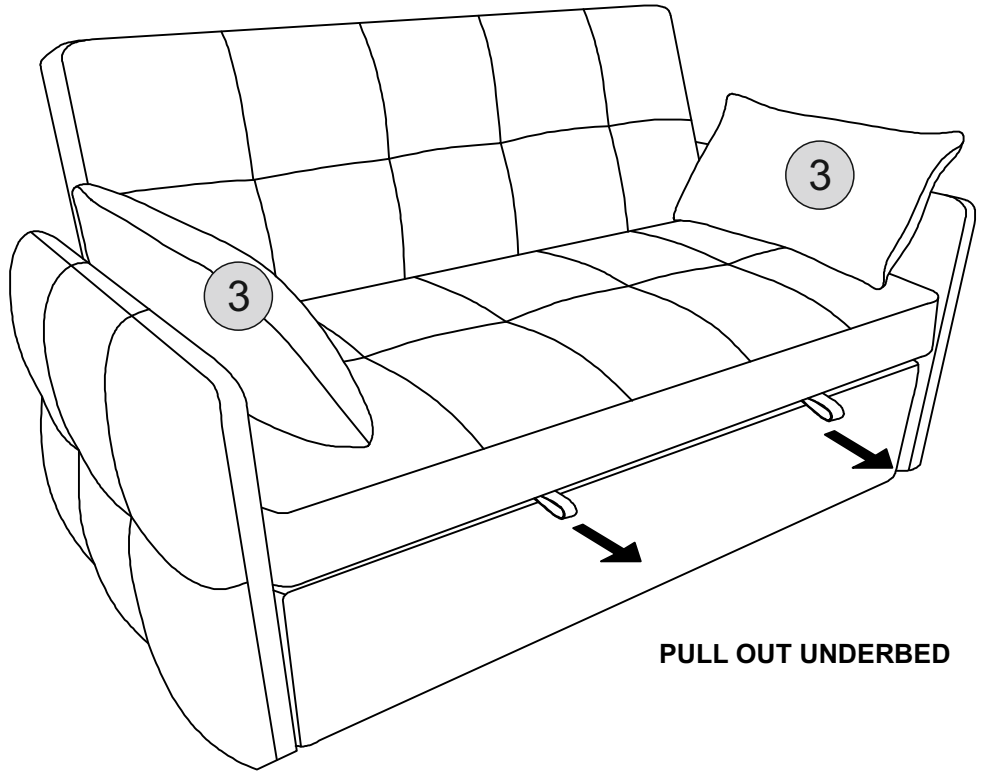
## PARTS REQUIRED

3 - CUSHIONS x2



## HARDWARE REQUIRED

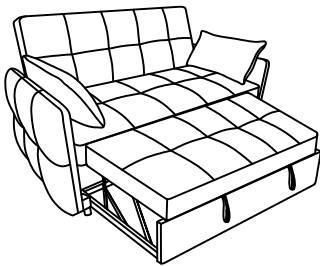
## TOOLS REQUIRED



PULL OUT UNDERBED

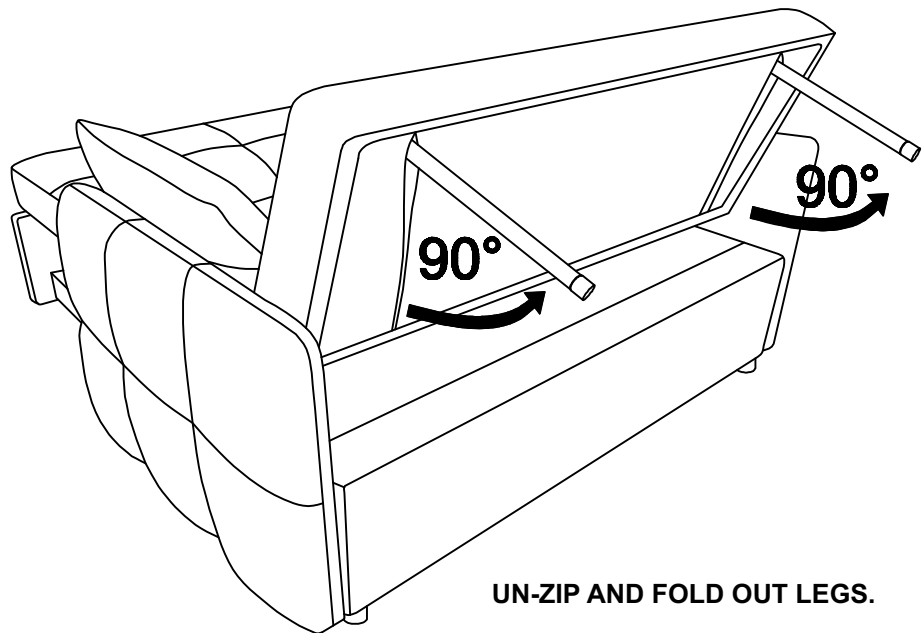
# STEP 6

## PARTS REQUIRED



## HARDWARE REQUIRED

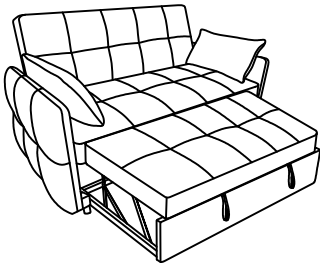
## TOOLS REQUIRED



UN-ZIP AND FOLD OUT LEGS.

# STEP 7

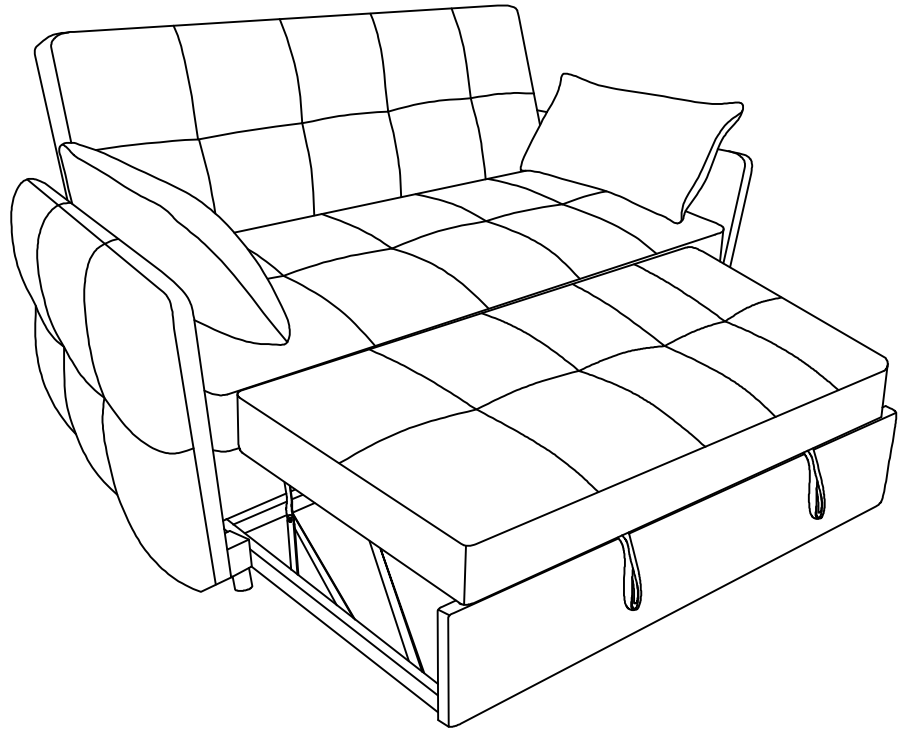
PARTS REQUIRED



HARDWARE REQUIRED

TOOLS REQUIRED

1) CLICK FORWARD  2) DROP BACK 



# STEP 8

PARTS REQUIRED

HARDWARE REQUIRED

TOOLS REQUIRED

