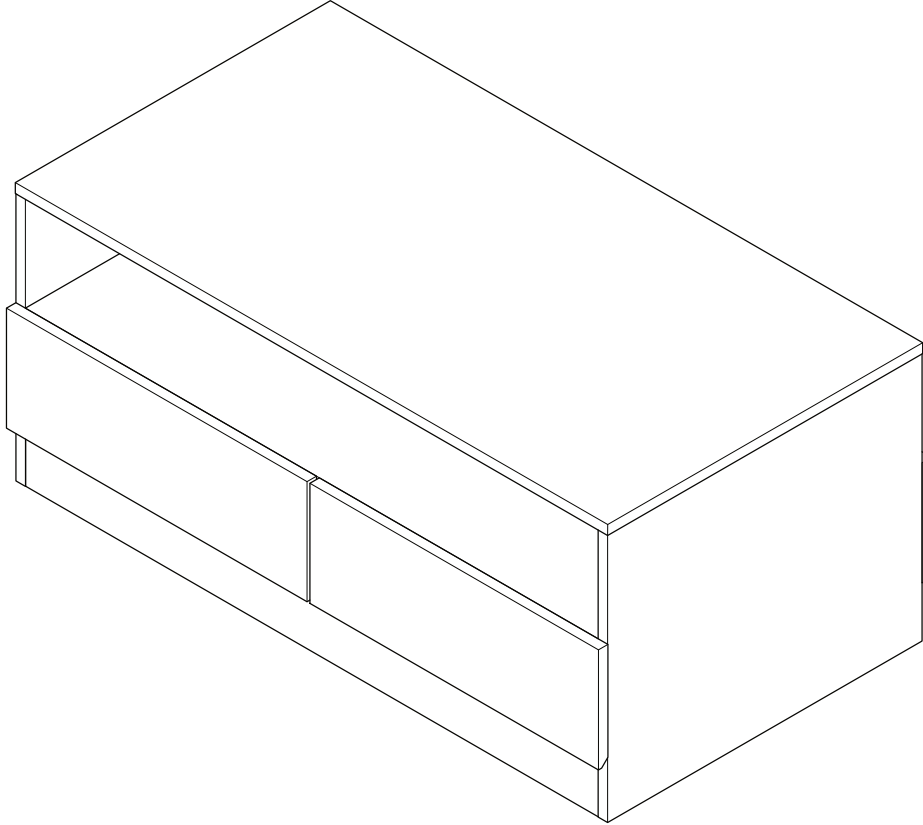


# CATANIA COFFEE TABLE

## ASSEMBLY INSTRUCTIONS

Thank you for purchasing the *CATANIA COFFEE TABLE*.  
Please read the instructions carefully to ensure safe operation of the product.



Size : 940 x 529 x 415mm

---

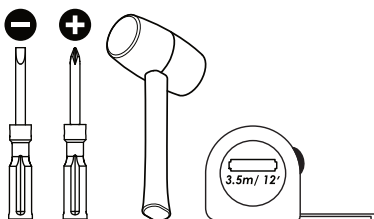
**PLEASE READ** this sheet prior to assembly to familiarise yourself with the various stages of construction.

Carefully open the pack supplied and check the contents against the parts and fittings check list. Do not destroy any of the packaging until you are certain that you have all the necessary parts for the assembly.

**CAUTION:** There are small components used in the construction of this unit. These loose items should be kept away from young children whilst assembling your unit to avoid the danger of choking hazards.

---

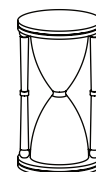
### Tools Required



### Person Required



### Approximate Assembly Time



**1 Hour  
30 Minutes**

# IMPORTANT - READ CAREFULLY - RETAIN THESE INSTRUCTIONS FOR FUTURE REFERENCE.

## INFORMATION

- Due to the size of this product we recommend that it is assembled in the room intended for use.
- When you are ready to start, make sure that you have the right tools, plenty of space and a clean, dry area for assembly.
- Unwrap all packaging materials and place the components on top of the carton box or on a clean floor to prevent it from scratching.
- Check the pack and make sure you have all the parts listed.
- Ensure that this product is fully assembled as illustrated before use.
- Check all screws or bolts are tightened and inspect regularly.
- This product should only be used on firm, level ground.
- Keep small parts out of reach of children.
- Make sure the legs remain in contact with the ground.
- Tools not included.

## WARNINGS

- DO NOT use power tools to construct this product.
- DO NOT tighten screws until fully assembled.
- DO NOT over tighten screws or bolts.
- DO NOT use this product if parts are missing, damaged or worn.
- DO NOT sit or stand on the product.
- DO NOT place hot items or liquids directly onto the top surface otherwise this will permanently damage the surface of the item. Always use heat resistant mats if placing such items on the surface.

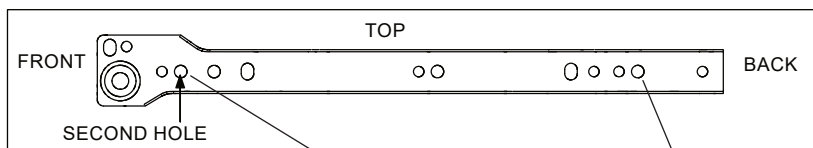


## CARE INFORMATION

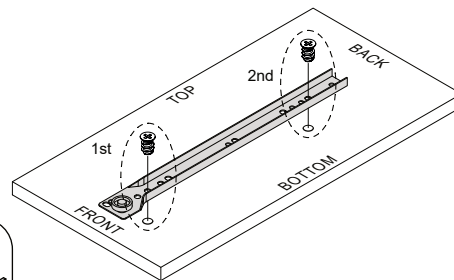
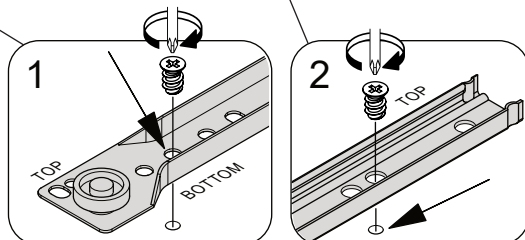
- Never use scourers, abrasives or chemical cleaners.
- To clean wipe with a sponge and warm soapy water. Do not use solvent based cleaners or detergents as they can bleach or damage the product.

# SPECIAL TIPS FOR FITTING DRAWER

## DRAWER RUNNER - A

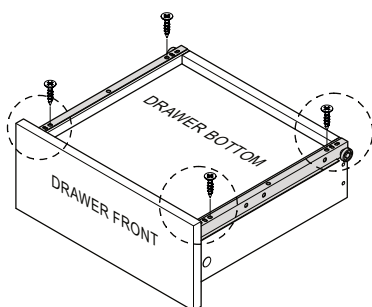
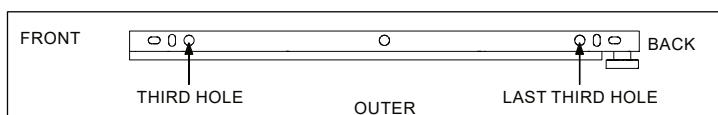


- Fix the first screw on the second hole on drawer runner as shown.
- Fix the second screw following the holes on panel.

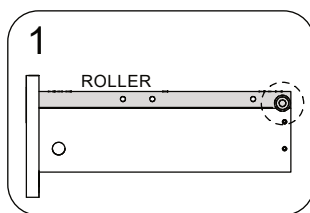


- Ensure the position of the drawer runner is correct as showed above.

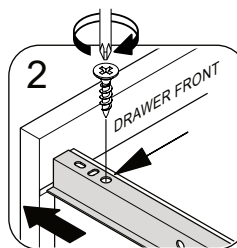
## DRAWER RUNNER - B



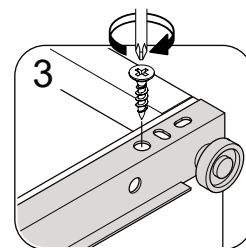
- Ensure the position of the drawer runner is correct as showed above.



- Push the runner to drawer front.

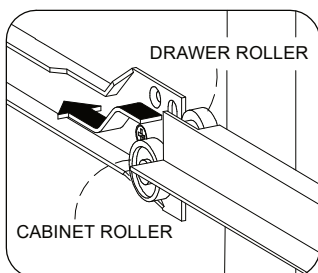


- Fix the first screw on the third hole from front.

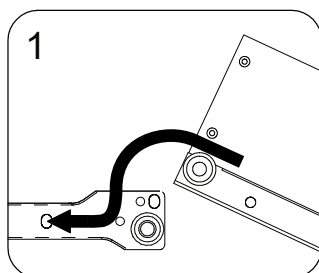


- Fix the second screw on the last third hole.

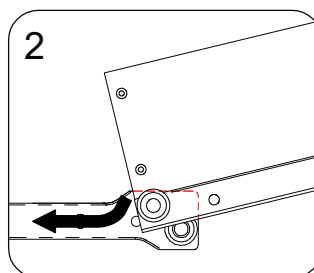
## INSTALL DRAWER TO CABINET



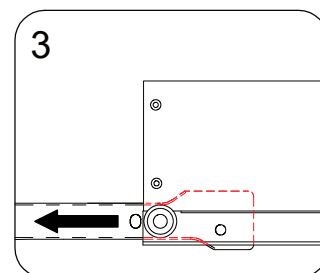
- Locate both roller on drawer box and roller on cabinet.



- Align the roller on drawer box on top of the roller on cabinet.



- Push inside the drawer box.



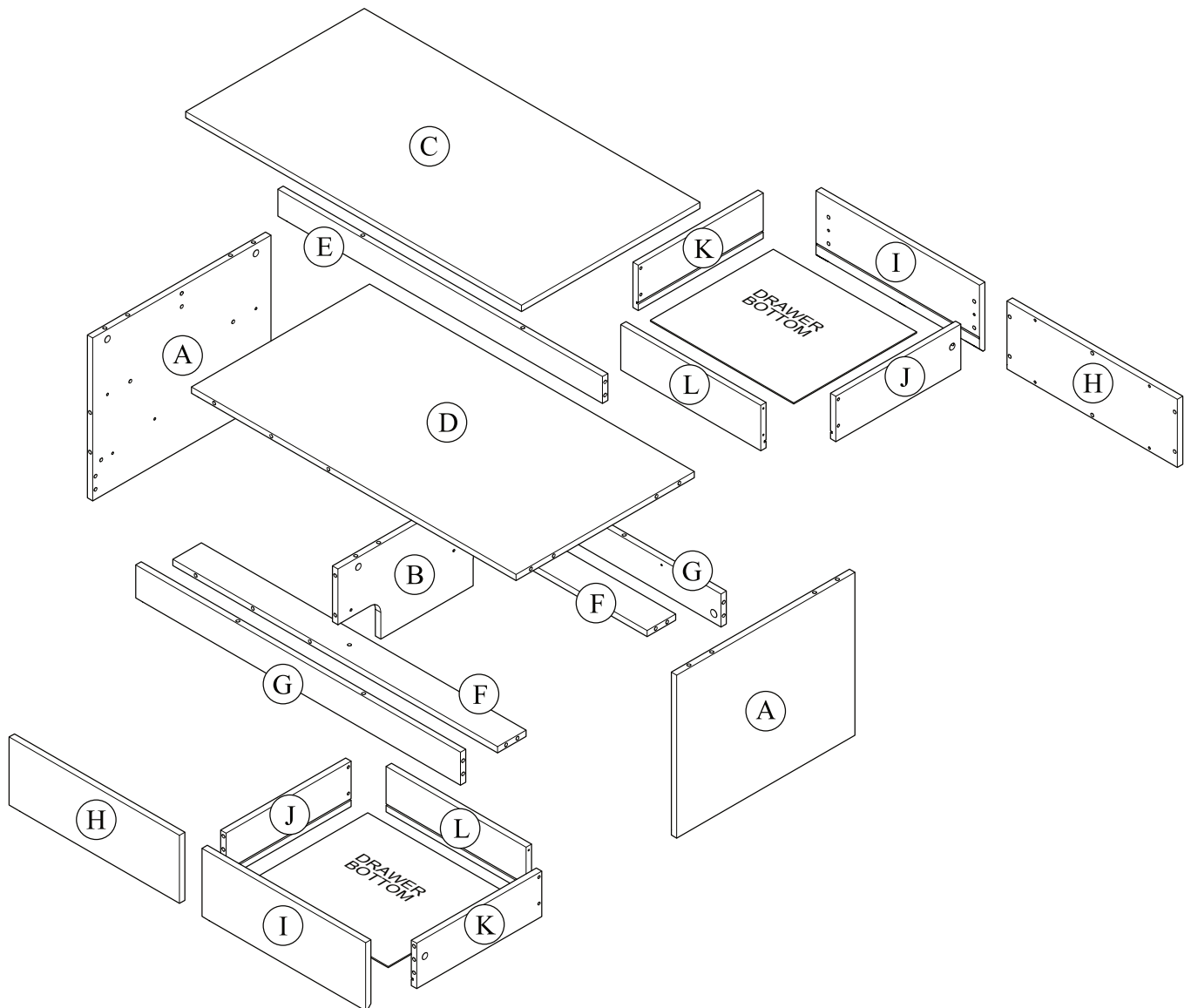
- Ensure the roller is in the track of drawer slide before push to the end.

Please check the pack contents before assembling the product. If any components are missing, please contact your retailer. The fittings pack contains small items that should be kept away from small children.

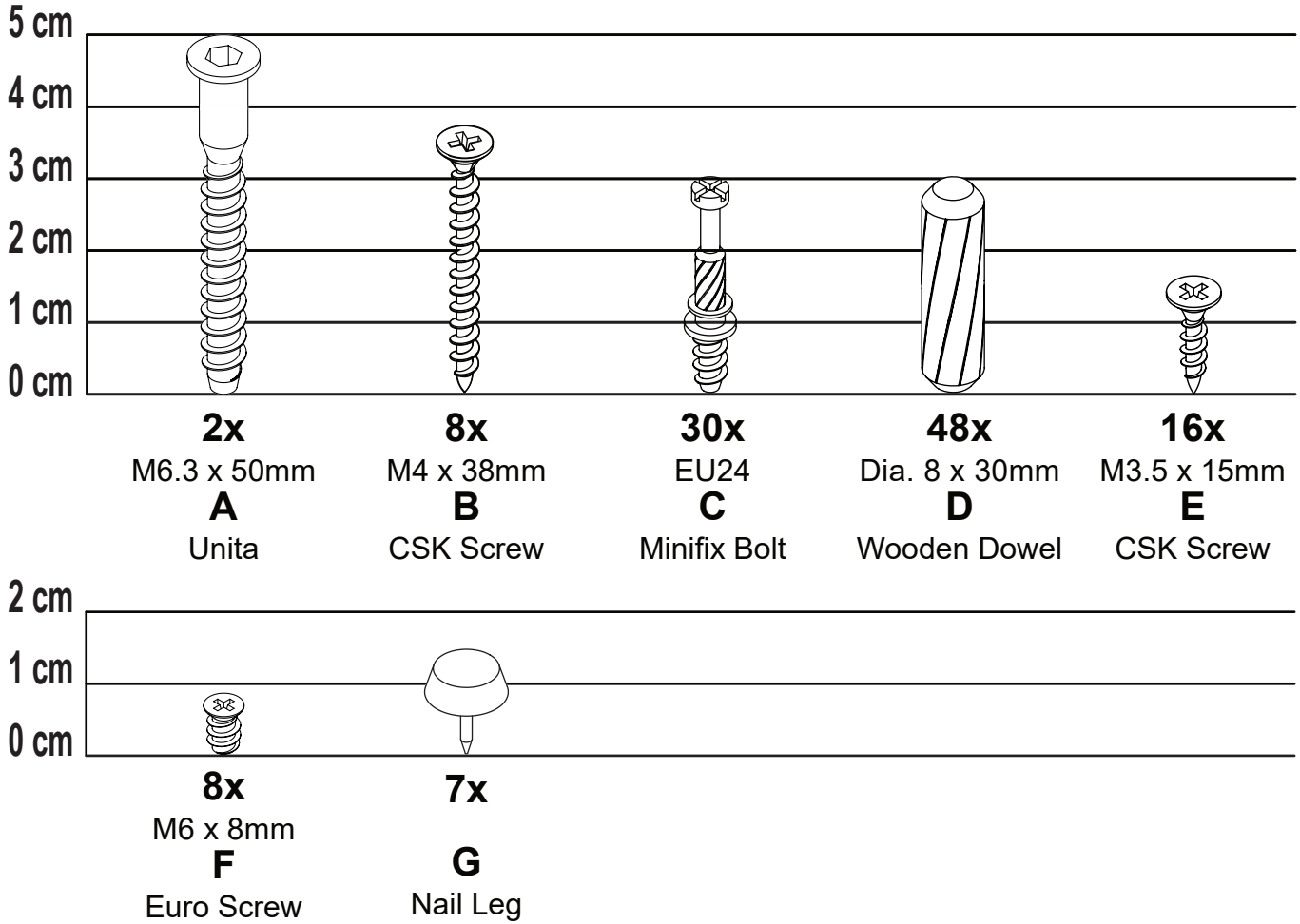
## Parts

CODE	PART NAME	QTY	DIMENSION
A	Side Panel L	2	15 x 395 x 499
B	Centre Panel	1	15 x 230 x 499
C	Top Panel	1	15 x 500 x 940
D	Fix Shelf	1	15 x 499 x 909
E	Top Bar	1	15 x 65 x 909
F	Support Bar	2	15 x 80 x 909
G	Bottom Bar	2	15 x 80 x 909

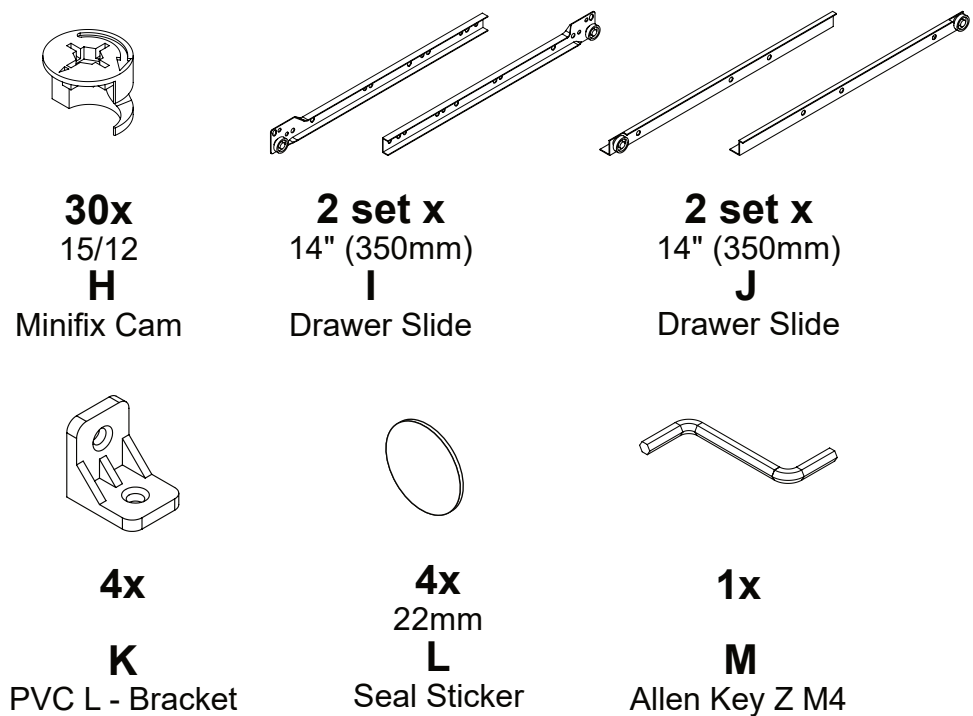
CODE	PART NAME	QTY	DIMENSION
H	Profile	2	15 x 164 x 477
I	Drawer Front	2	15 x 164 x 458
J	Drawer Side L	2	15 x 110 x 350
K	Drawer Side R	2	15 x 110 x 350
L	Drawer Back	2	15 x 110 x 392
	Drawer Bottom	2	2.5 x 344 x 401

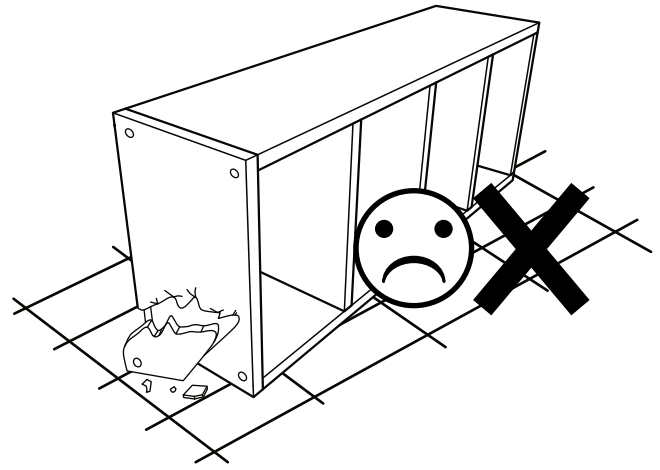
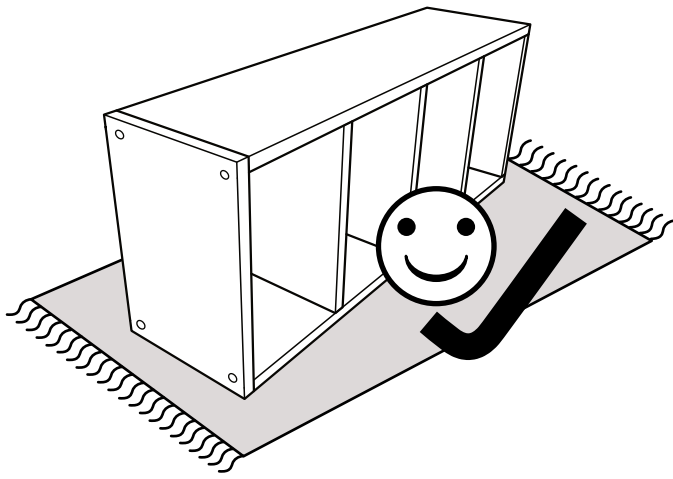


## Fixings (to scale)

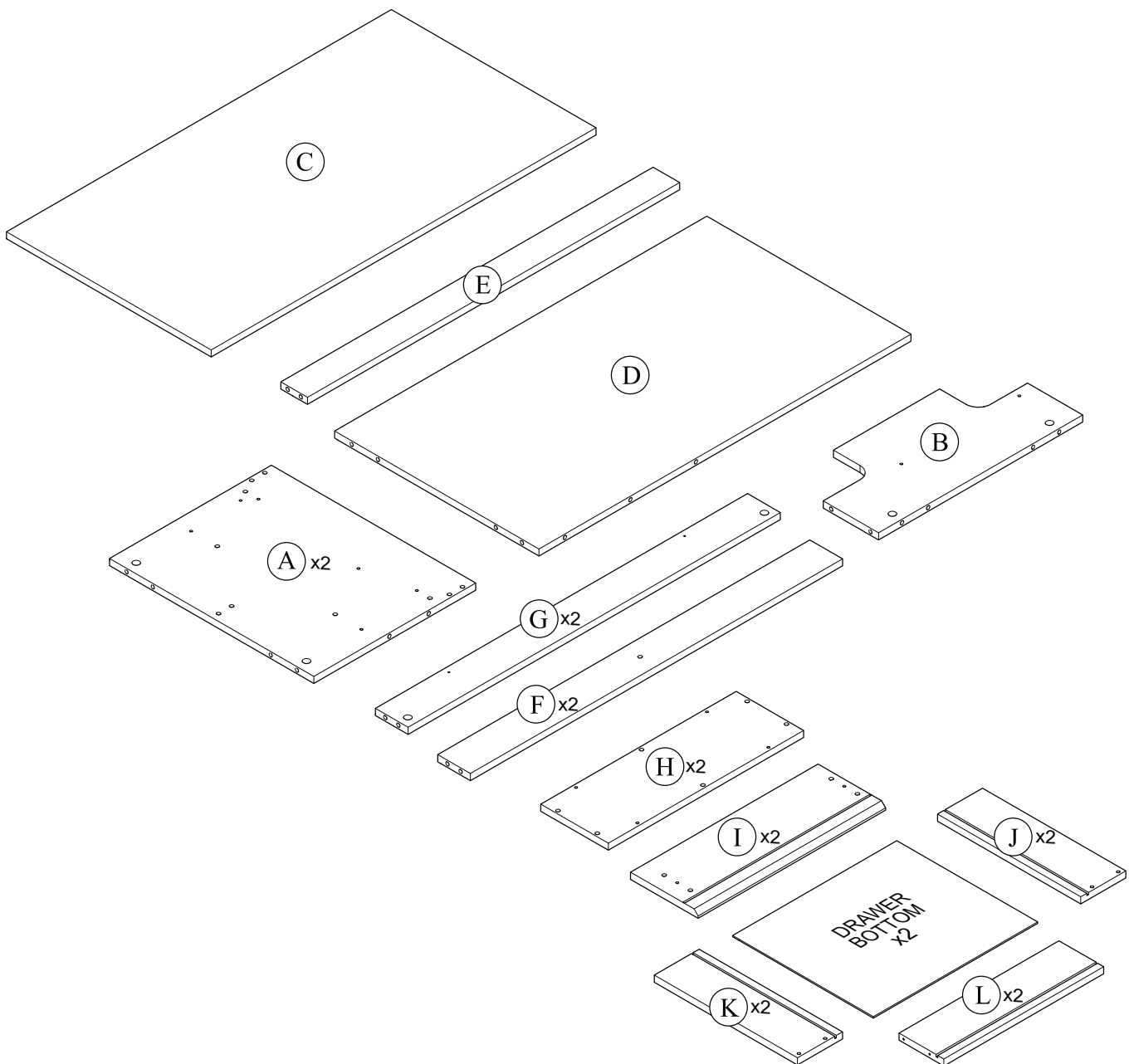


## Fixings (not to scale)

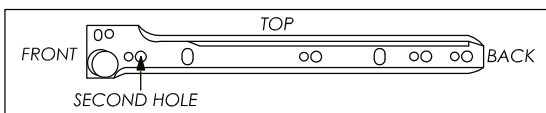
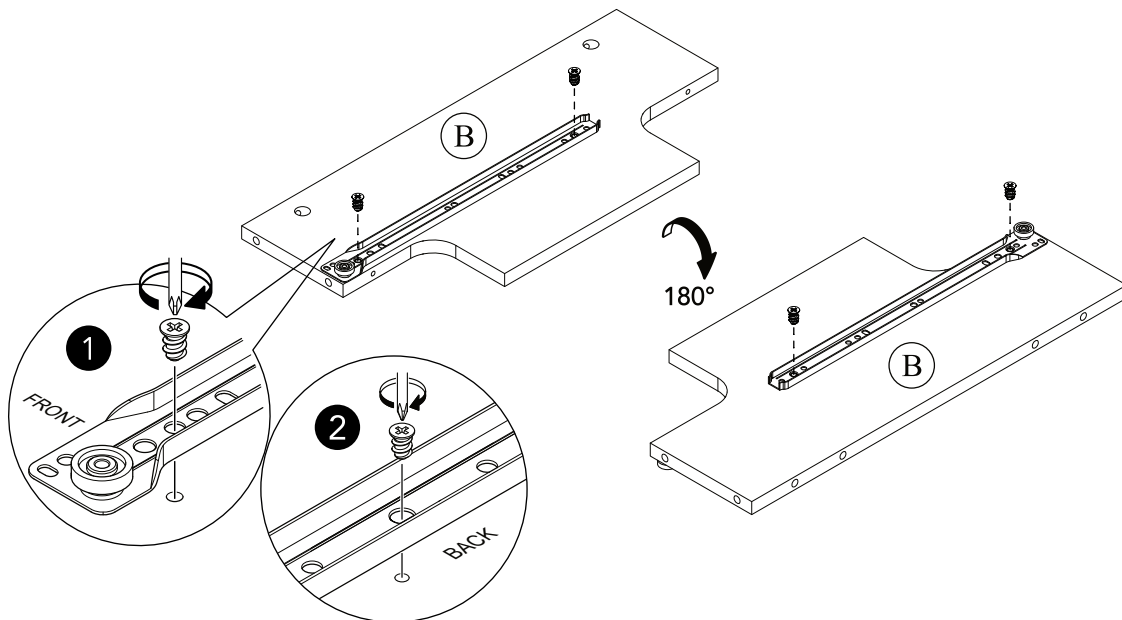
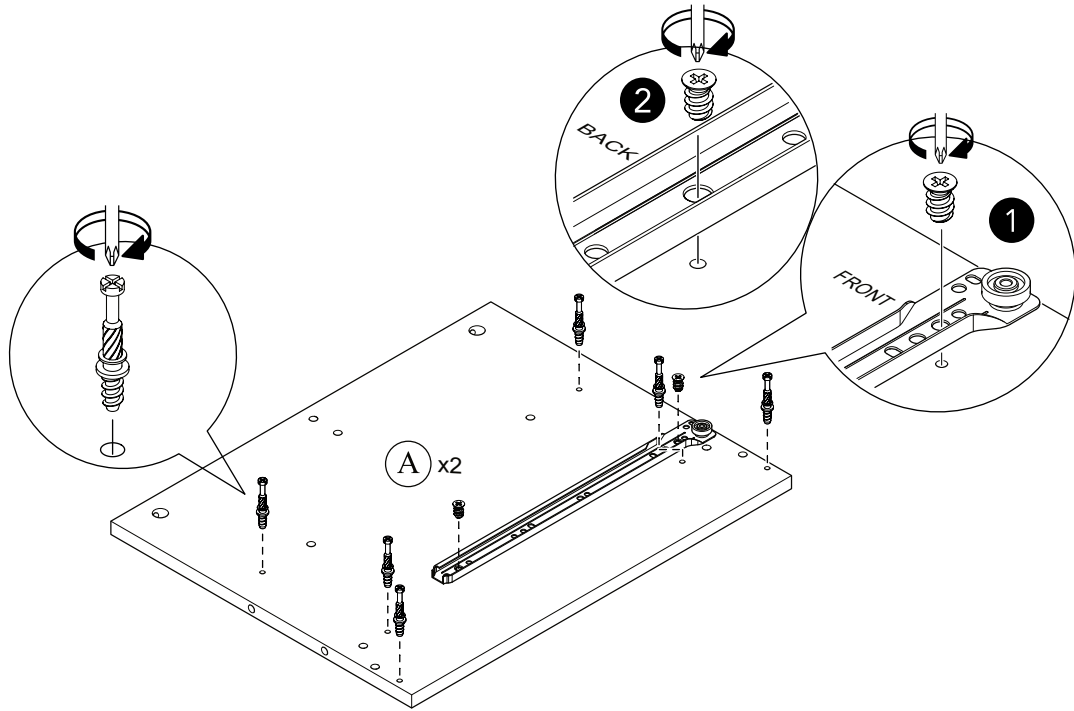
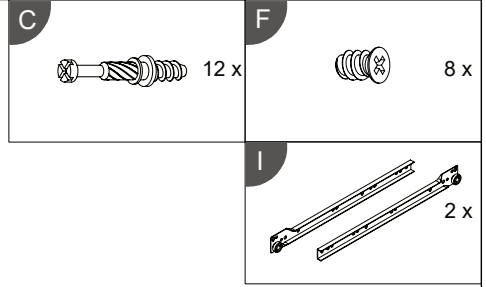




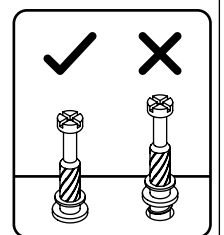
## Layout Parts on Soft Surface



# STEP 1

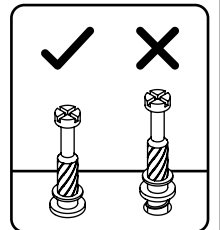
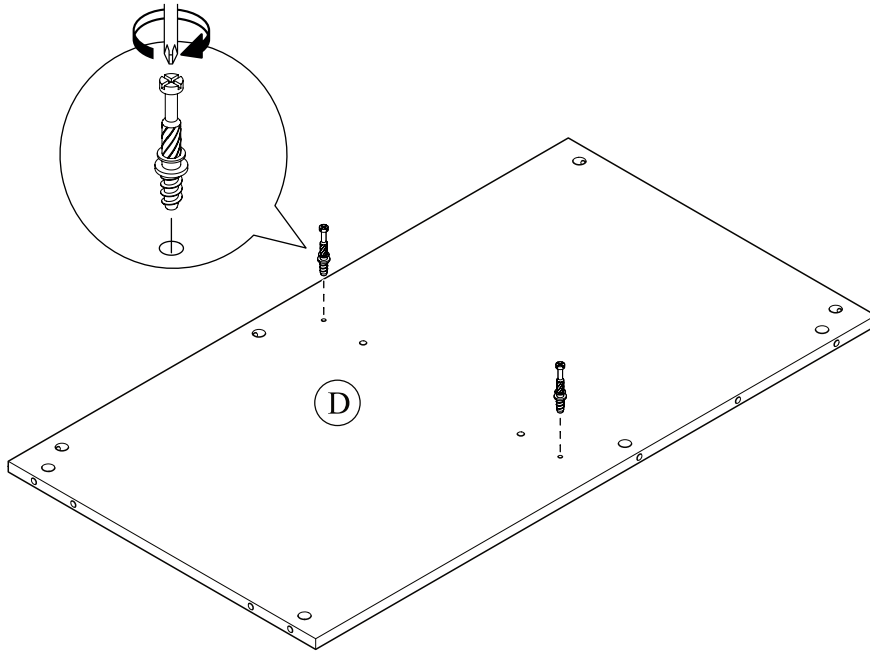


PLEASE ENSURE TO FIX THE SCREWS AS PER ABOVE POINTED HOLES INSTRUCTION TO AVOID DISTORTION OF OVERALL LOOK OF PRODUCTS



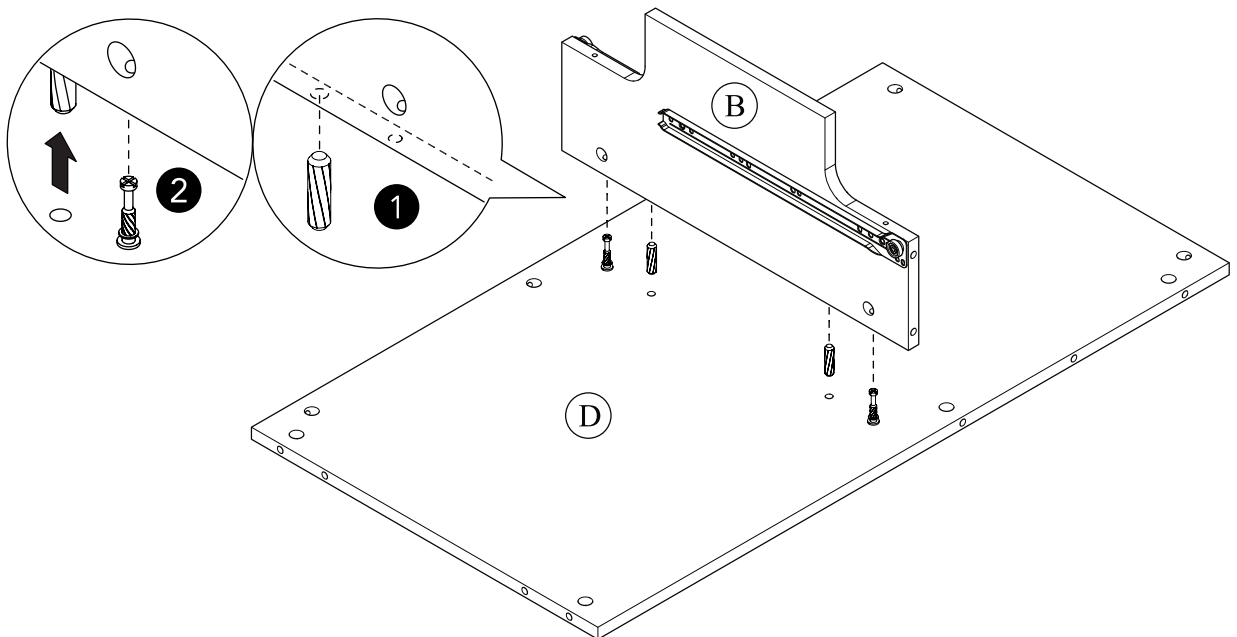
## STEP 2

C  
2 x



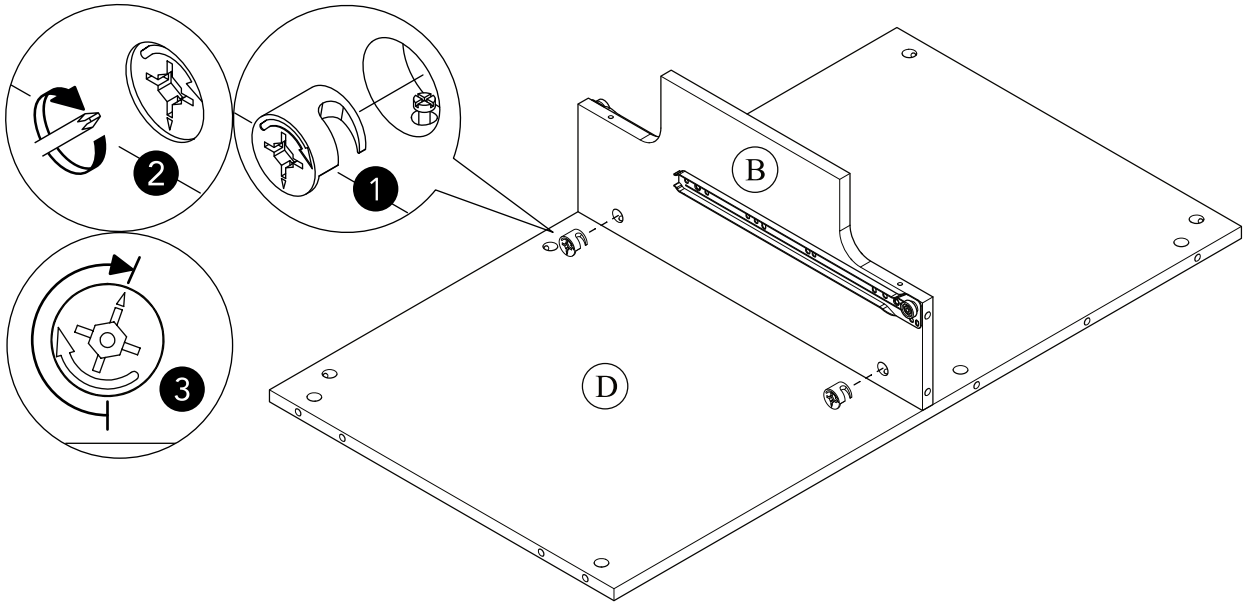
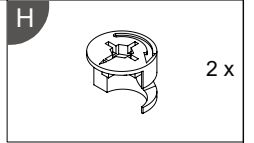
## STEP 3

D  
2 x

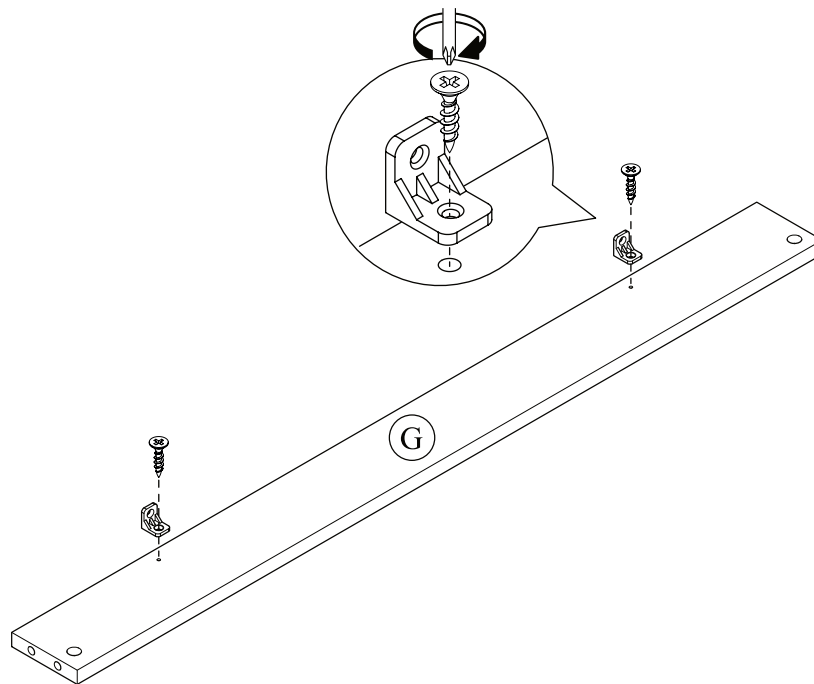
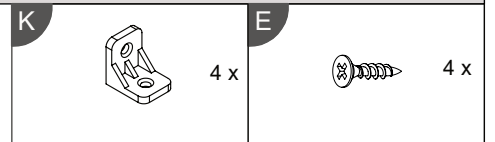




## STEP 4

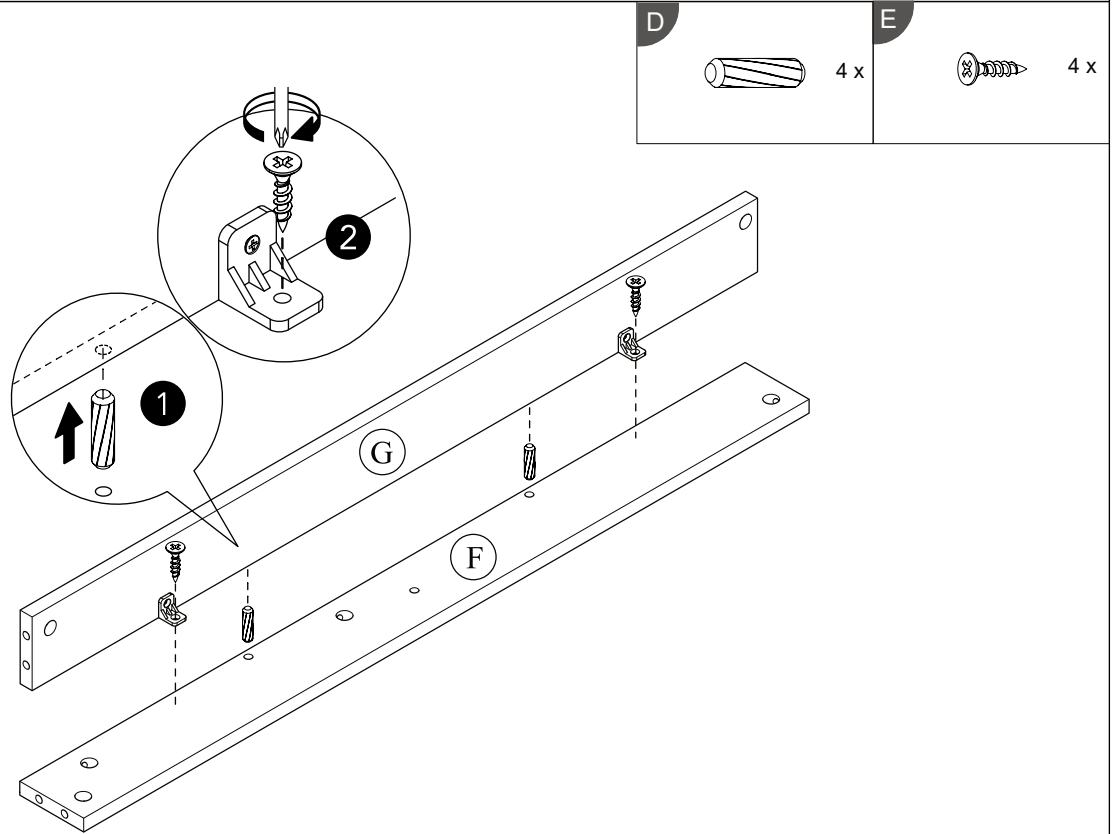


## STEP 5



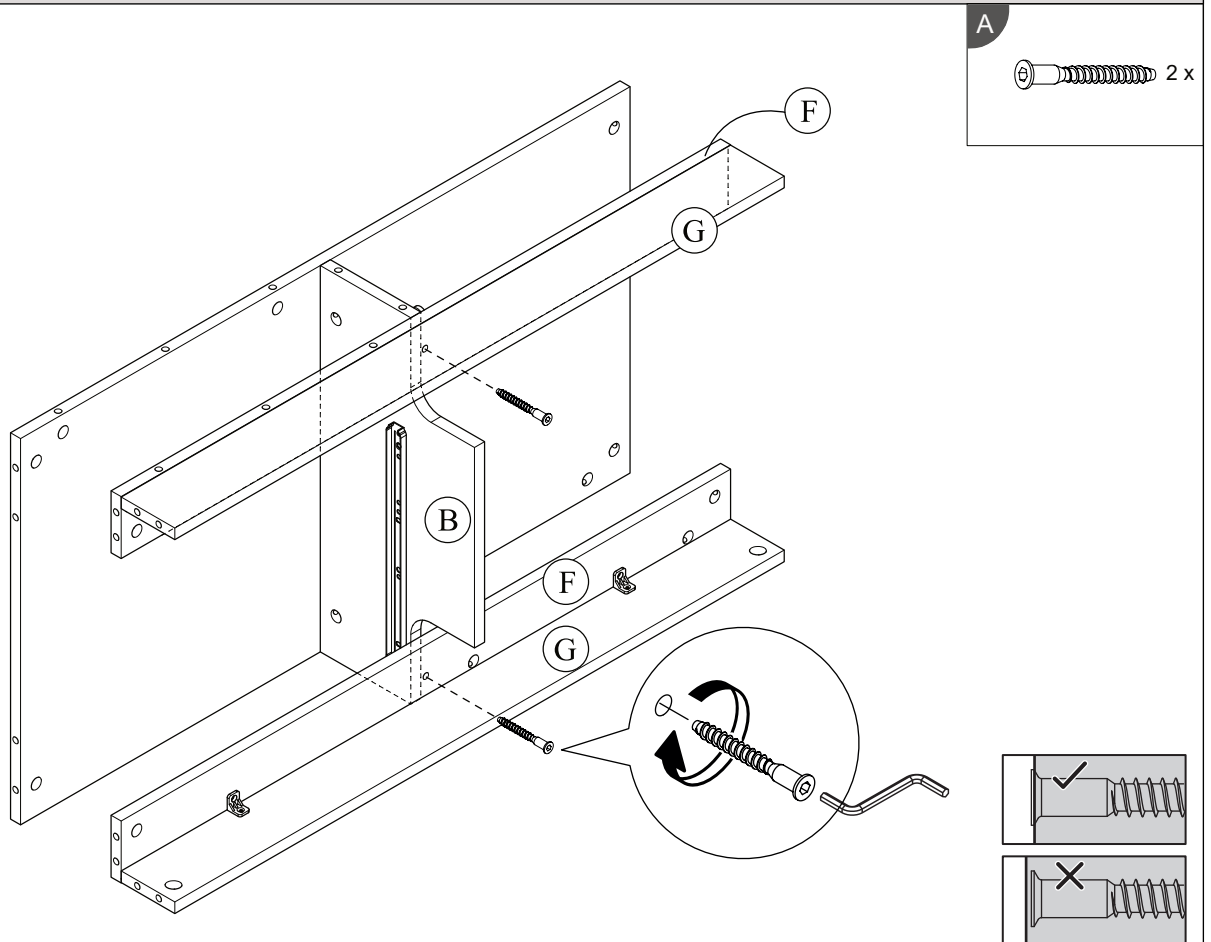
(2x)

# STEP 6

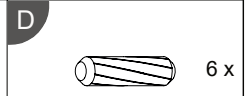
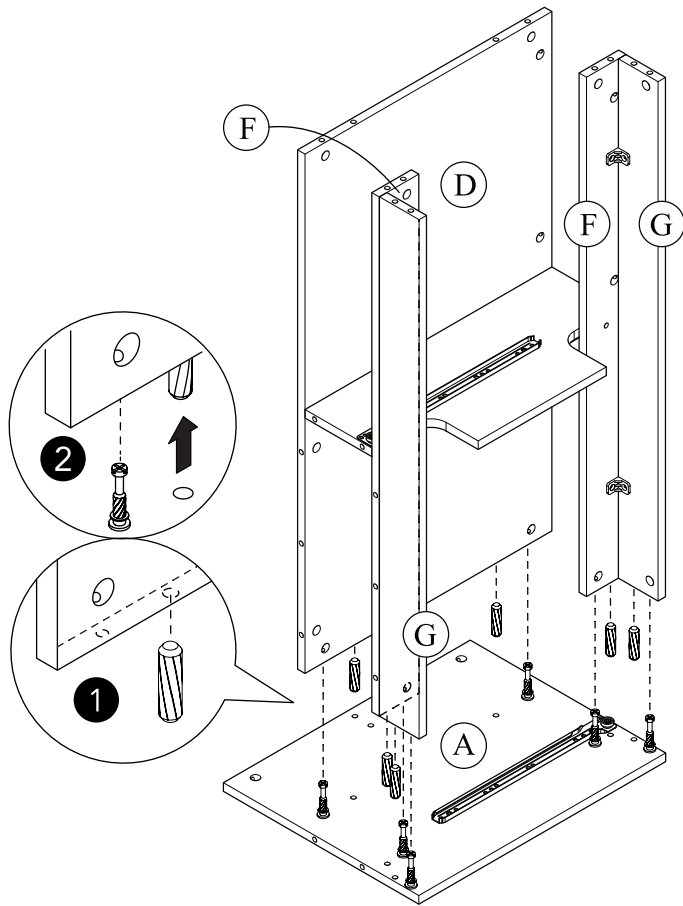


(2x)

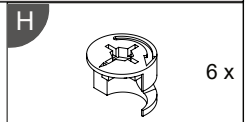
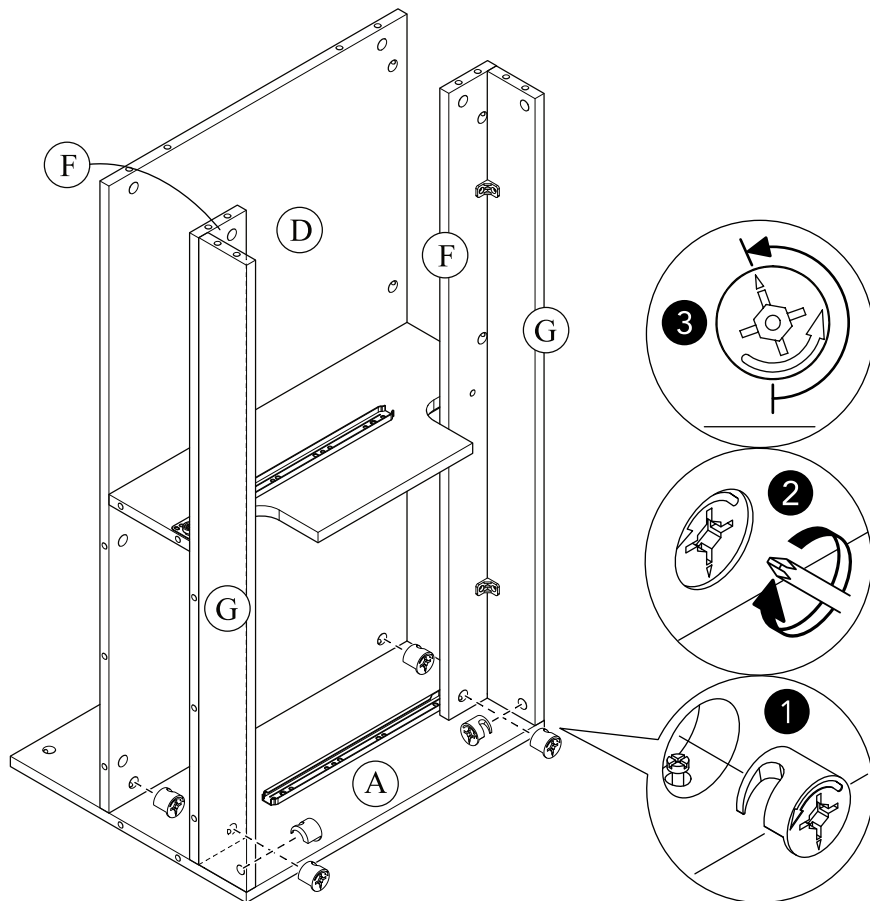
# STEP 7



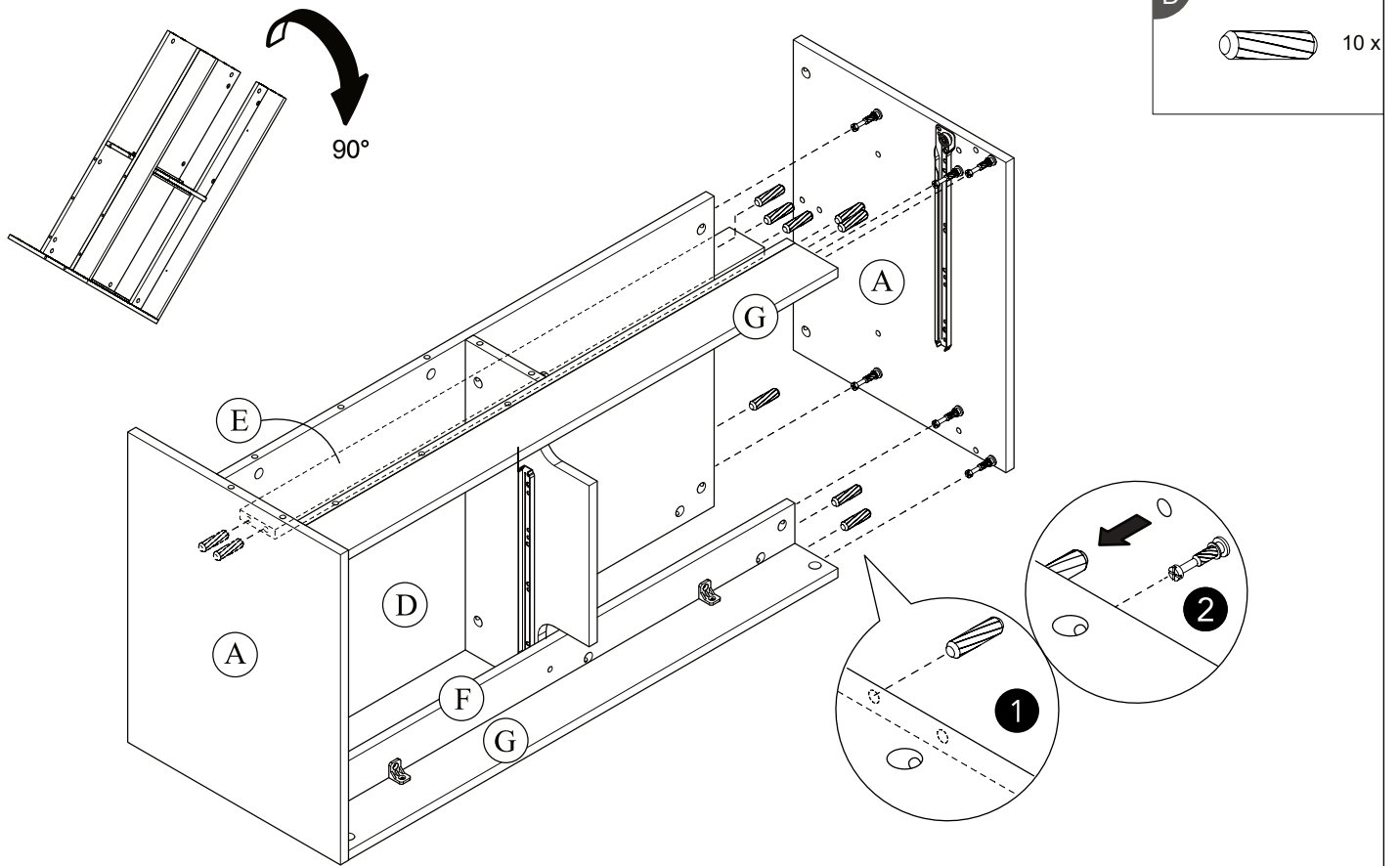
# STEP 8



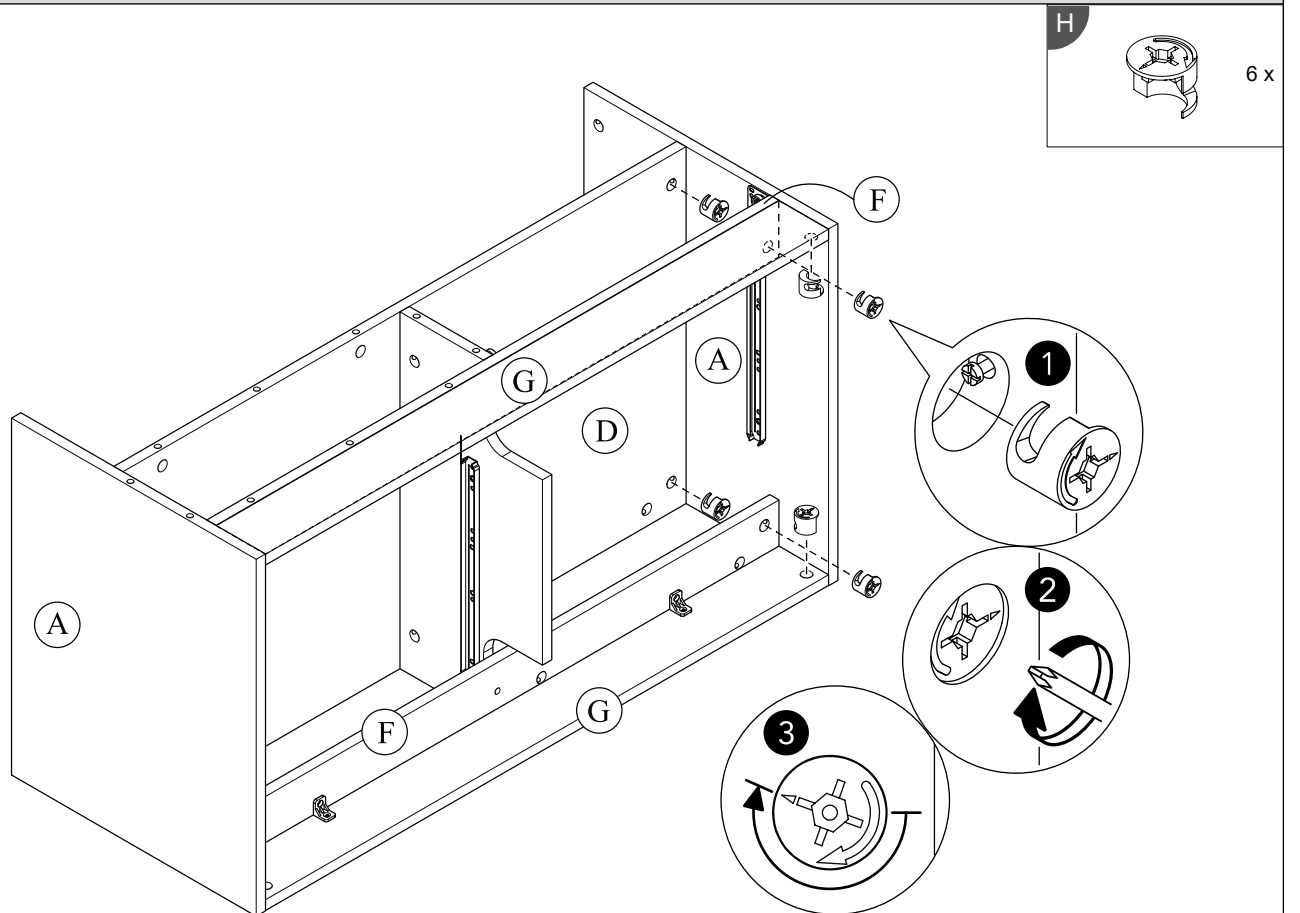
# STEP 9



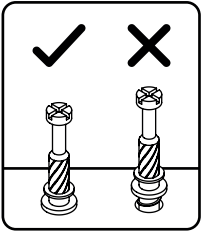
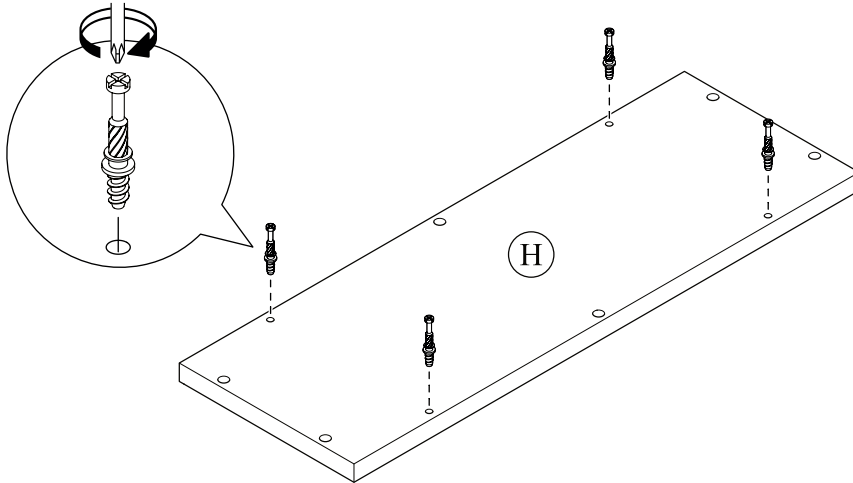
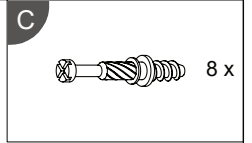
# STEP 10



# STEP 11

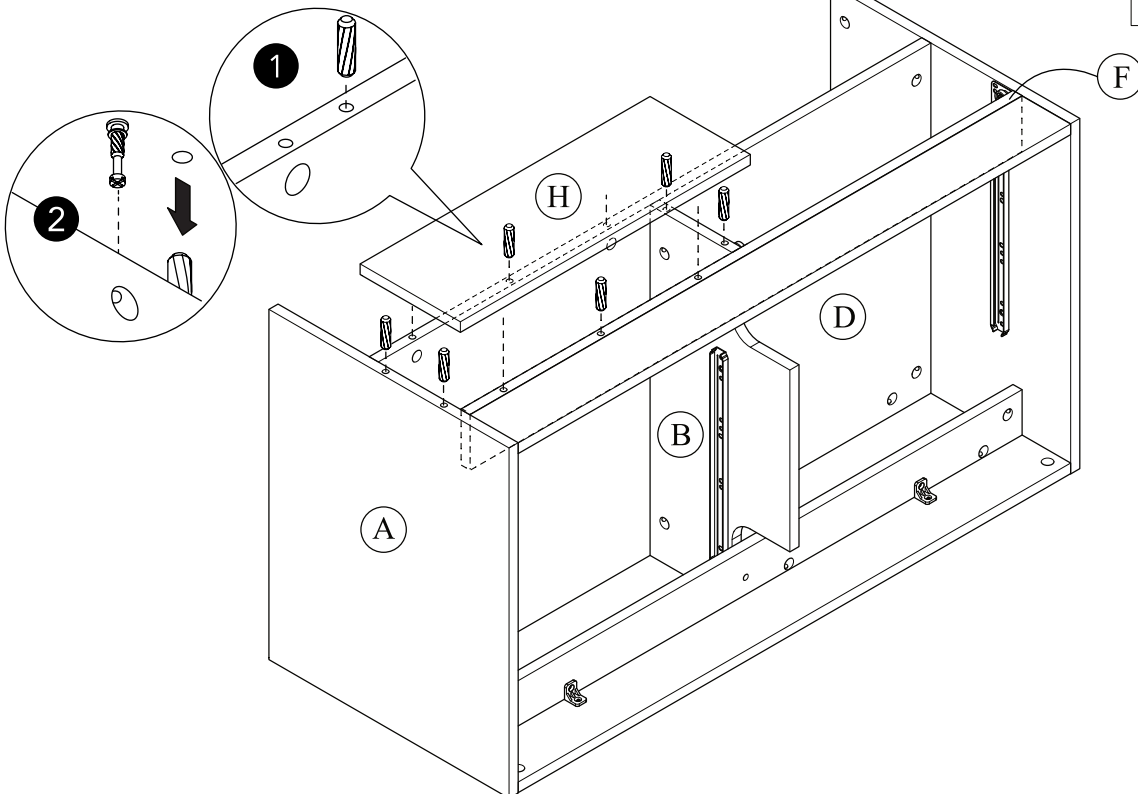
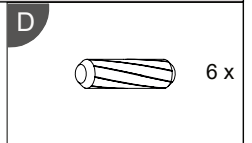


# STEP 12

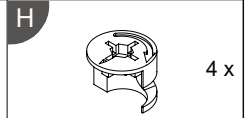
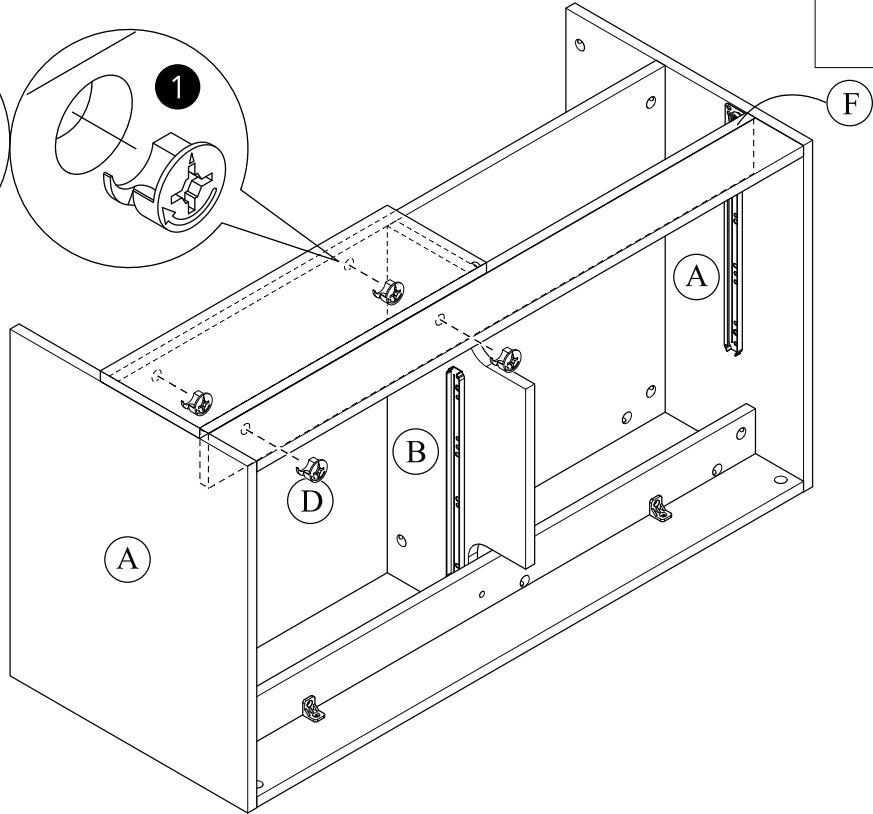
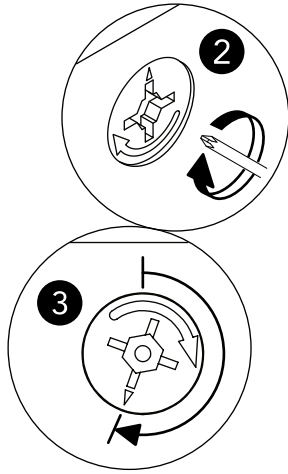


(2x)

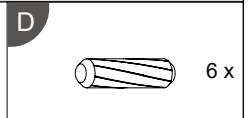
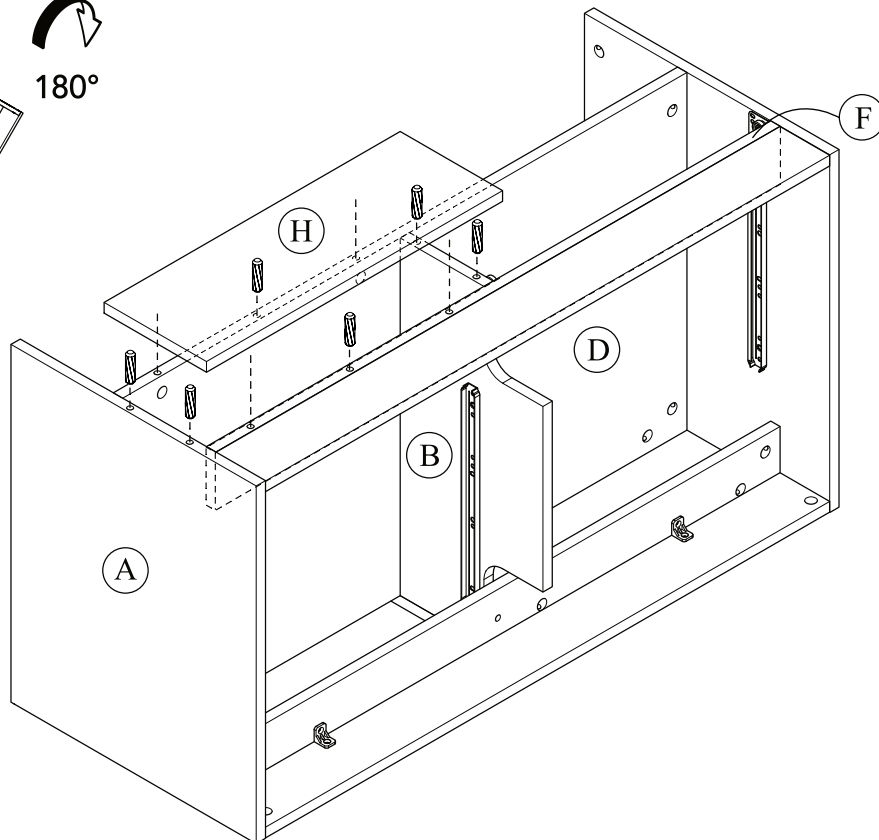
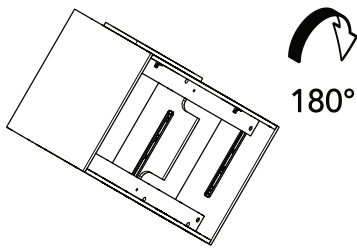
# STEP 13



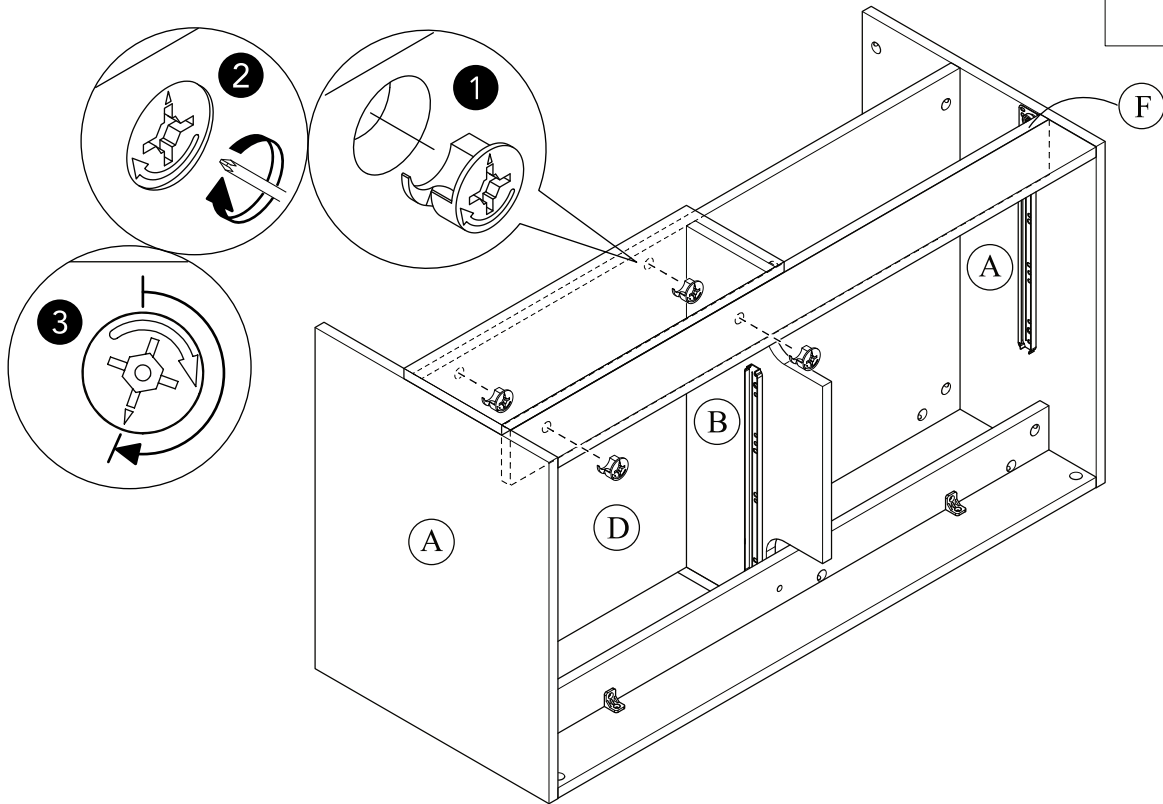
# STEP 14



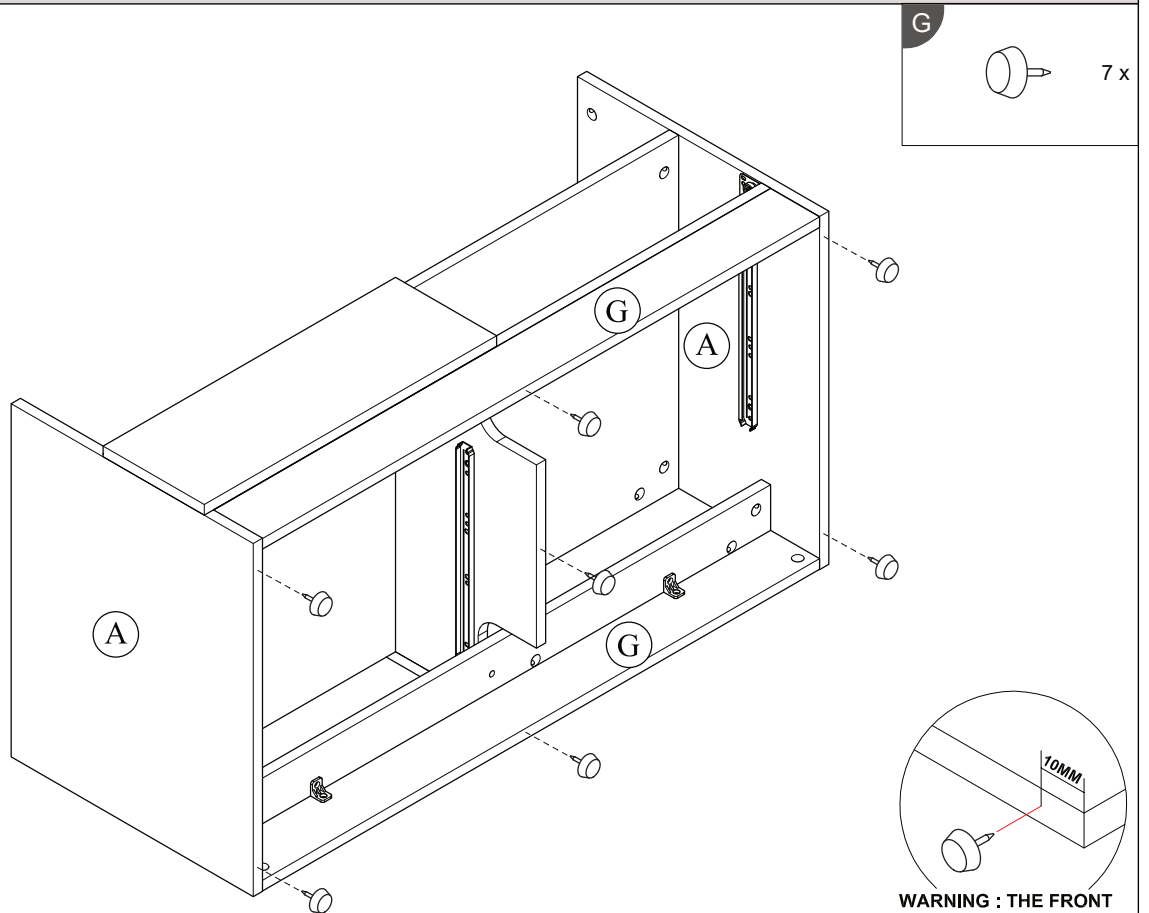
# STEP 15



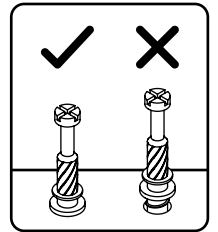
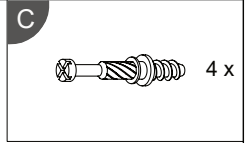
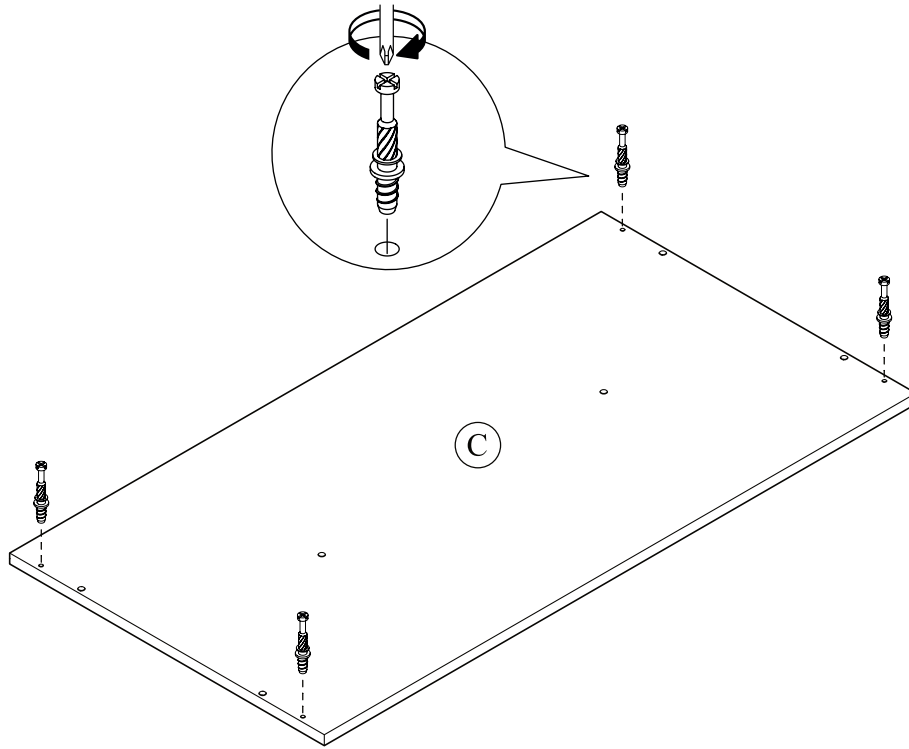
## STEP 16



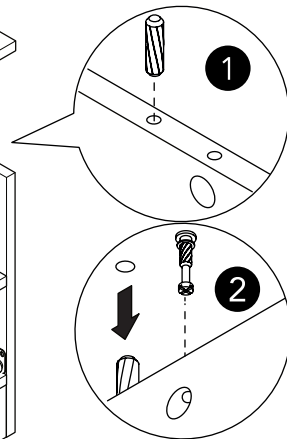
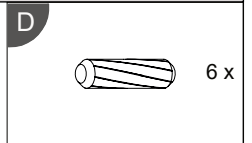
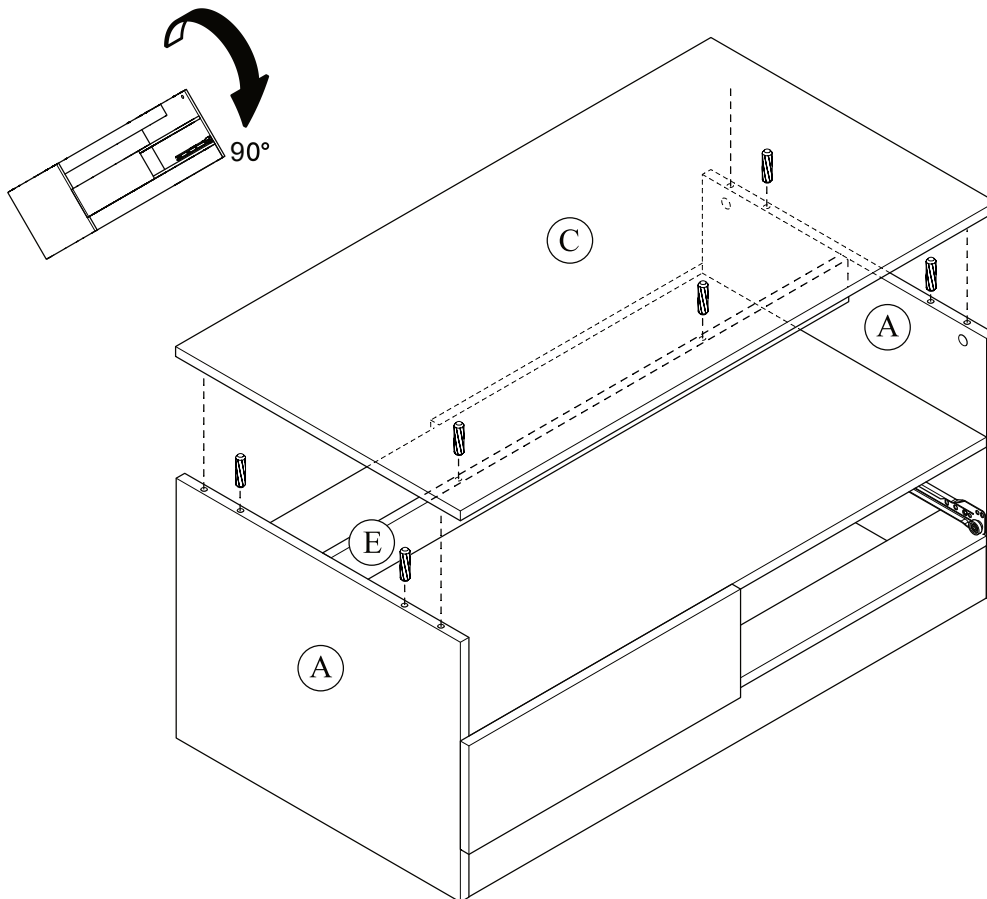
## STEP 17



# STEP 18

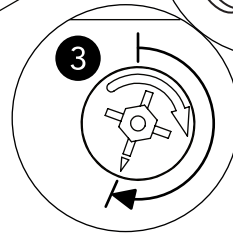
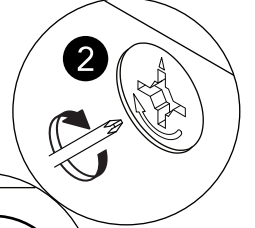
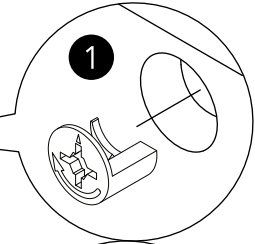
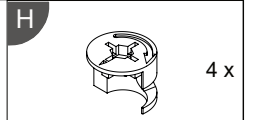
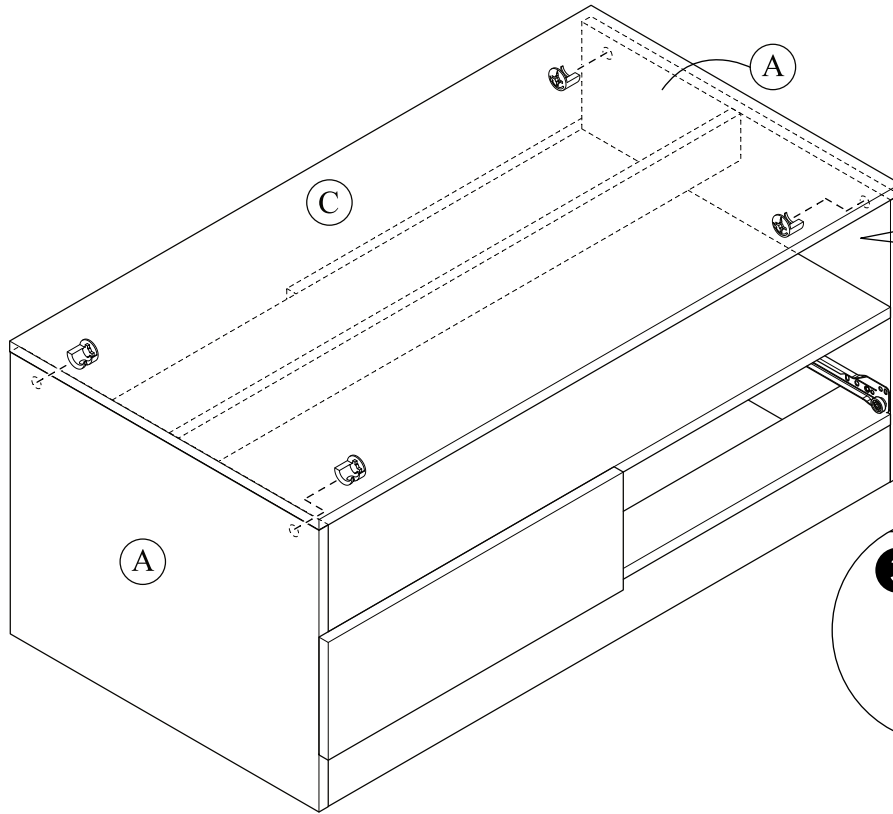


# STEP 19

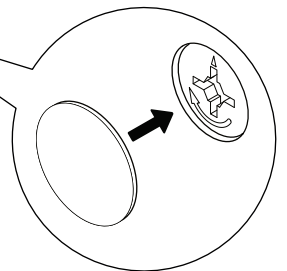
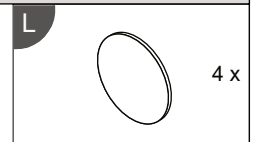
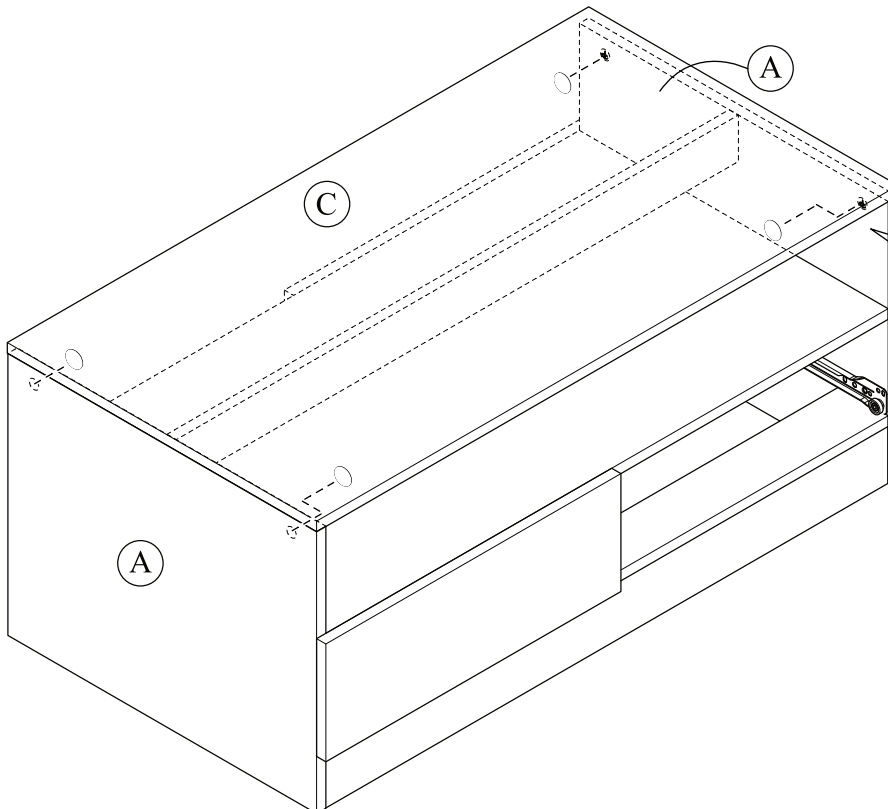




## STEP 20



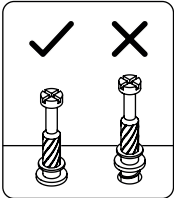
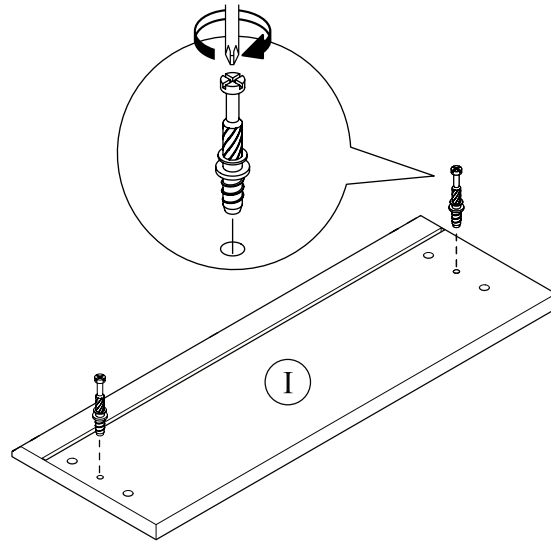
## STEP 21



## STEP 22

C

 4 x

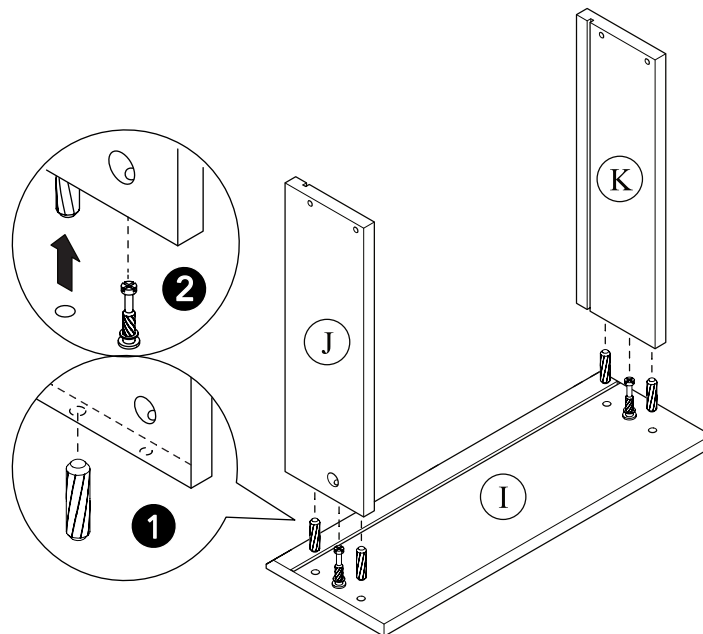


(2x)

## STEP 23

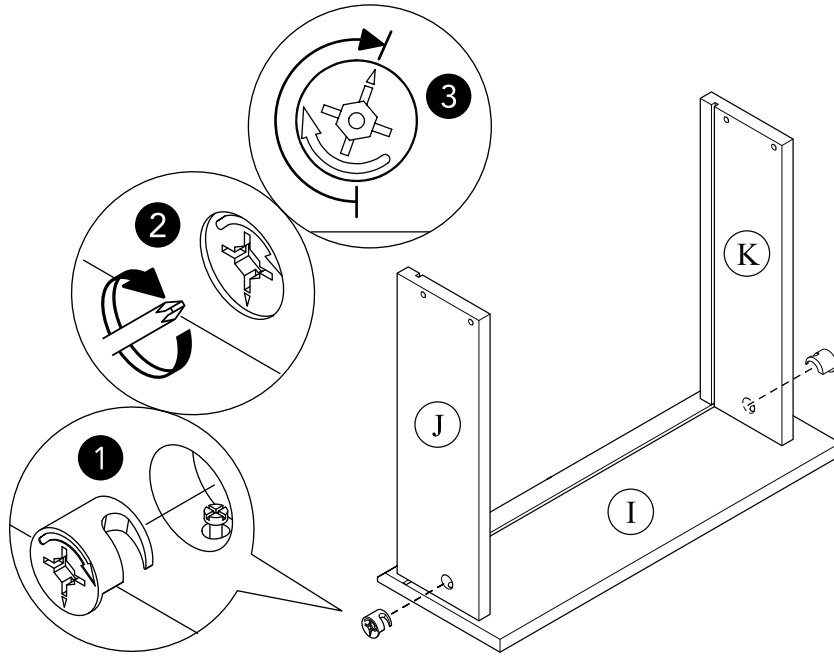
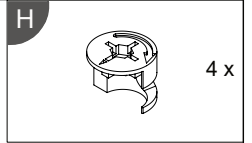
D

 8 x



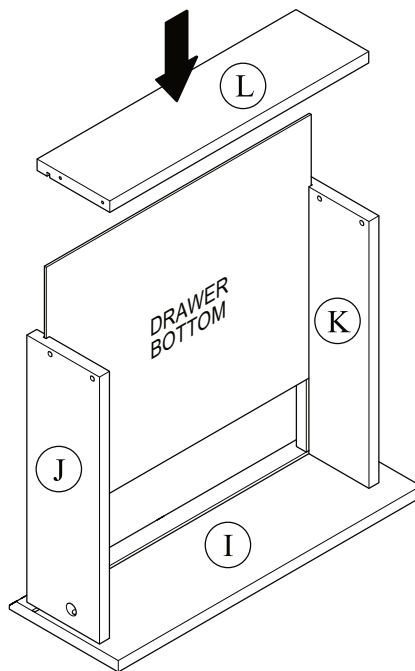
(2x)

# STEP 24



(2x)

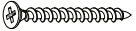
# STEP 25

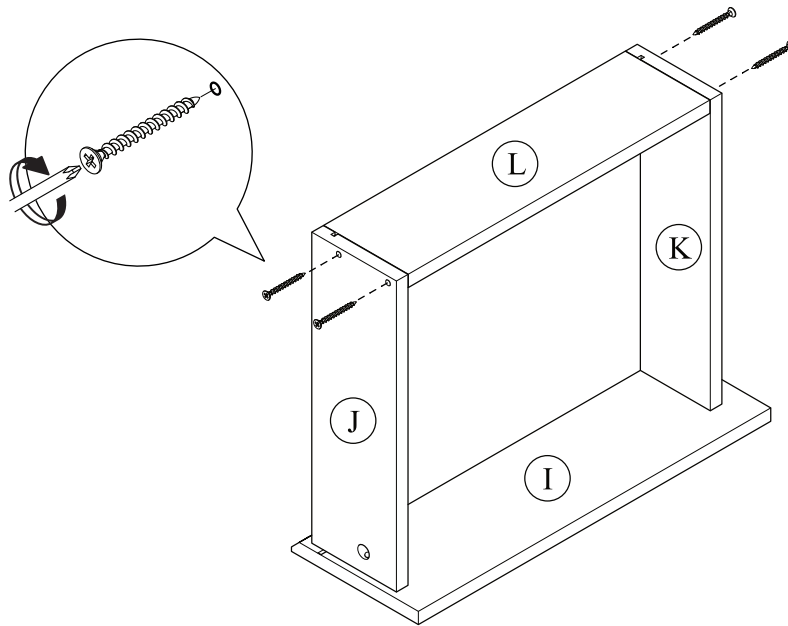


(2x)

# STEP 26

B

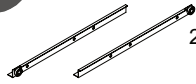
 8 x



(2x)

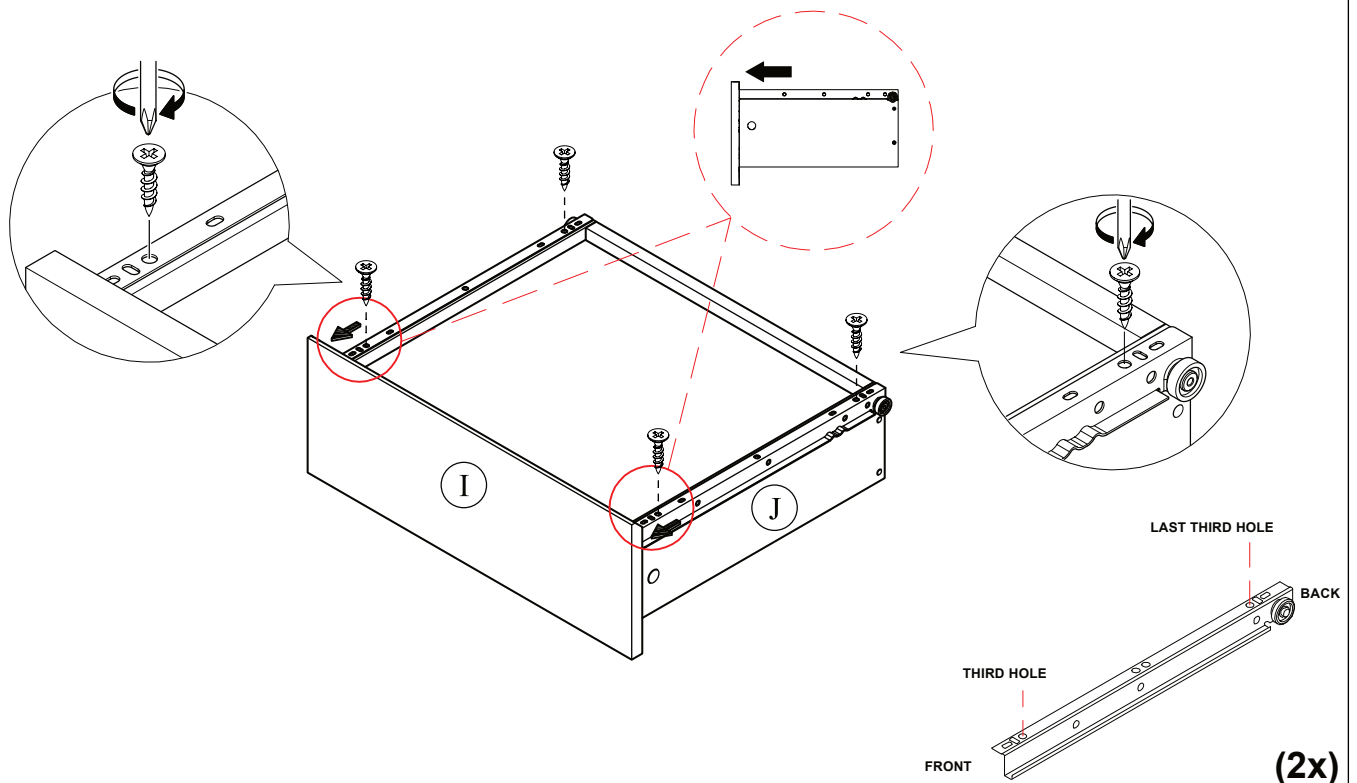
# STEP 27

J

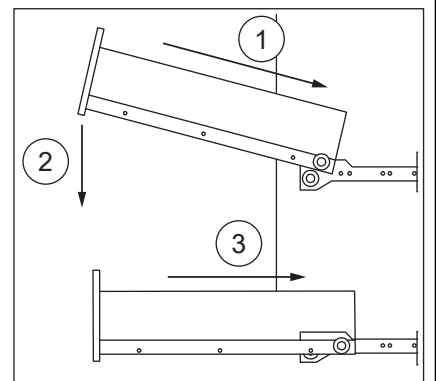
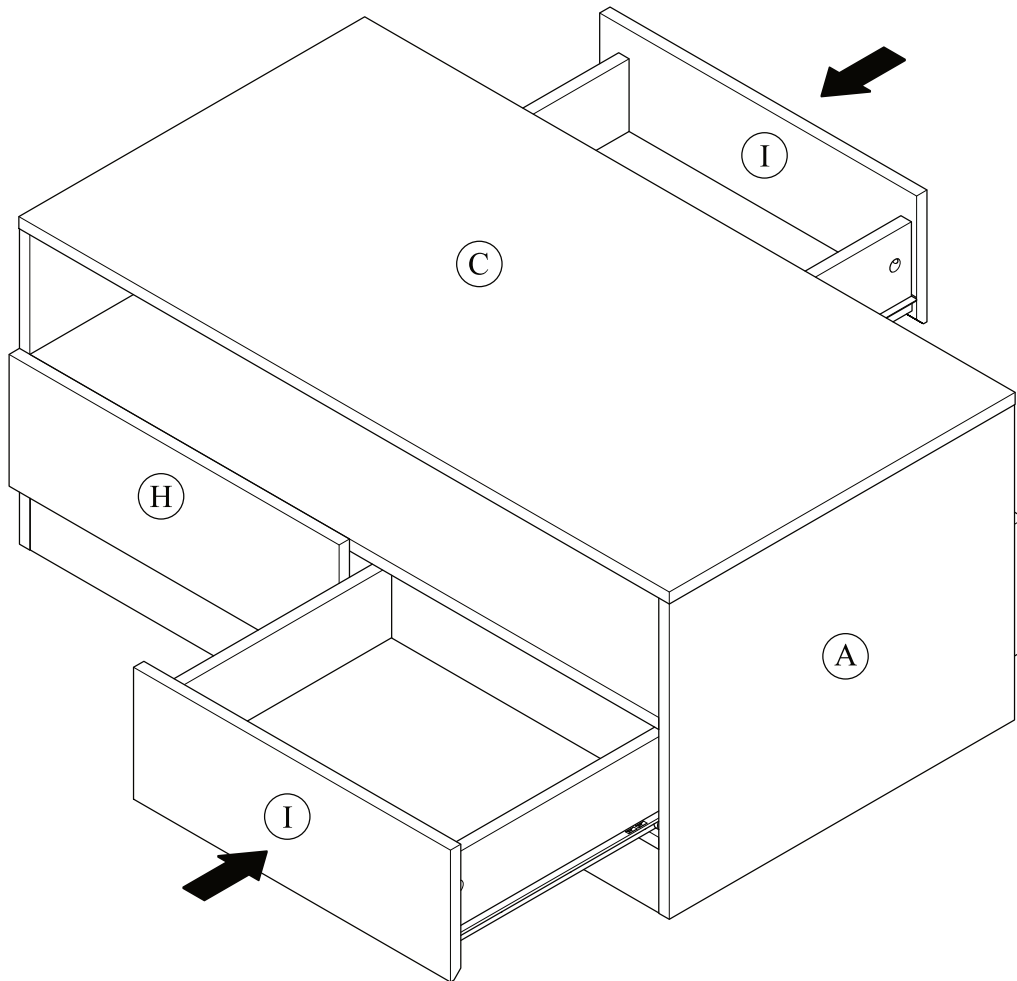
 2 x

E

 8 x



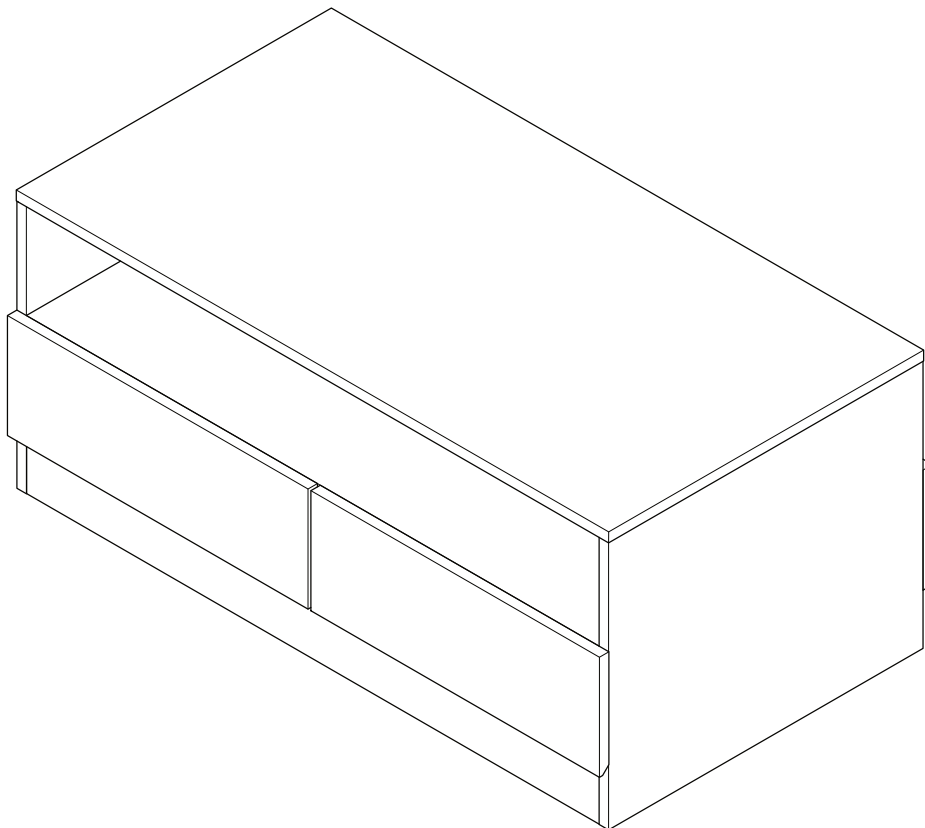
STEP 28



## Complete Assembly

Your *CATANIA COFFEE TABLE* is now completely assembled.

Periodically check to ensure that the components are in their proper position, free from damage. Also, make sure the connectors are tight and secure.



**Keep instructions for future reference**

