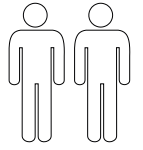


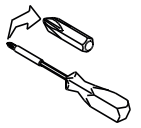
**IMPORTANT - READ CAREFULLY  
RETAIN FOR FUTURE REFERENCE**

# 5'0 CAPRICORN BED

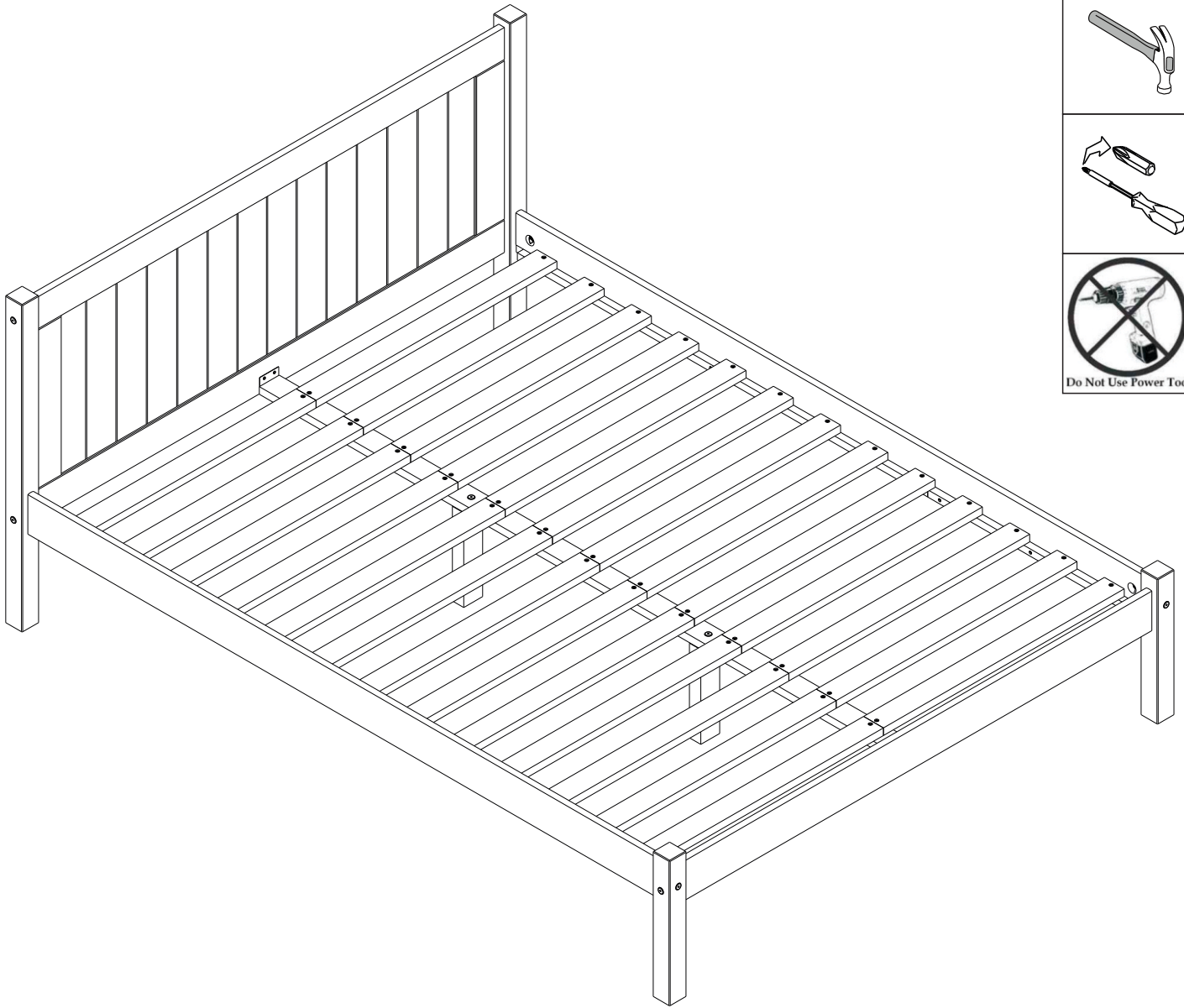
## Assembly Instructions



**1:10min**



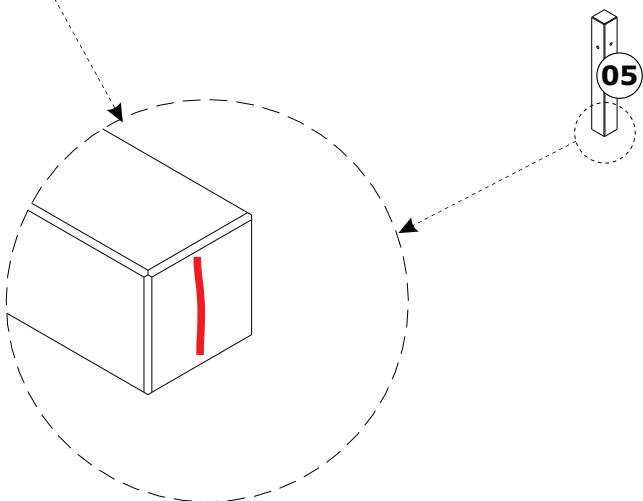
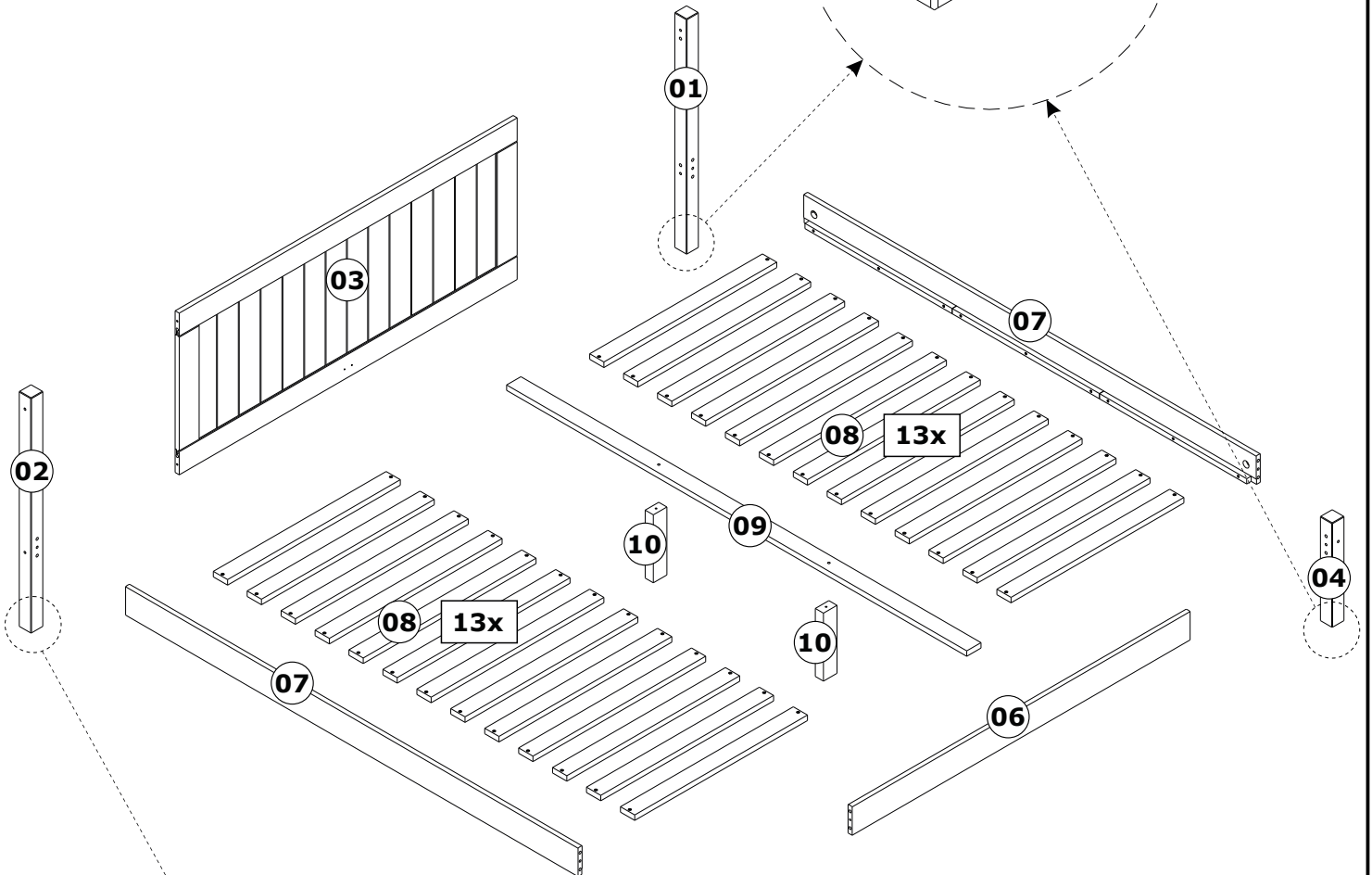
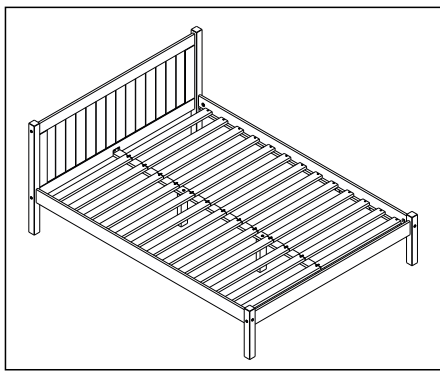
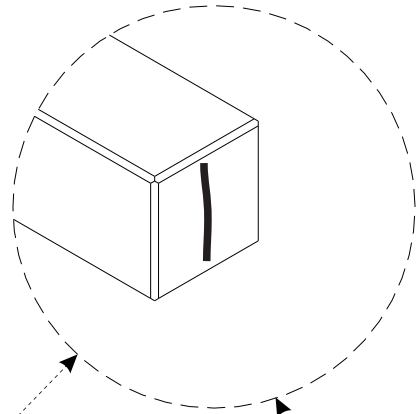
Do Not Use Power Tools



BATCH: 20/0003  
PROFORMA: 2019/0920  
ORDER: 2146


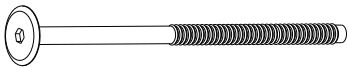


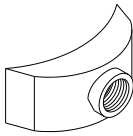
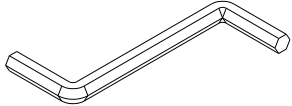
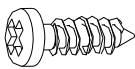
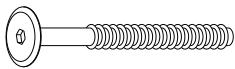
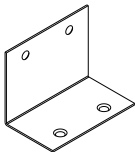
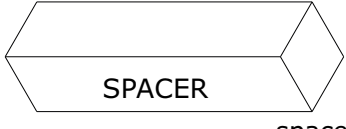
# PARTS.:

the right foot is marked with a black line (sign)



the left foot is marked with a red line (sign)

# 5'0 CAPRICORN BED HARDWARE

<b>A</b>	 $\text{Ø}10 \times 40 \text{mm}$	<b>16</b>
<b>B</b>	 $\text{Ø}1/4" \times 100 \text{mm}$ - Cab. $\text{Ø}17 \text{mm}$	<b>04</b>
<b>C</b>	 $\text{Ø}7 \times 90 \text{mm}$ - Cab. $\text{Ø}17 \text{mm}$	<b>06</b>
<b>D</b>	 $\text{Ø}4,0 \times 30 \text{mm}$	<b>52</b>
<b>E</b>	 $\text{Ø}1/4" \times 25 \text{mm}$	<b>04</b>
<b>F</b>	 $4 \text{mm}$	<b>01</b>
<b>G</b>	 $\text{Ø}3,5 \times 16 \text{mm}$	<b>08</b>
<b>H</b>	 $\text{Ø}7,0 \times 60 \text{mm}$ - Cab. $\text{Ø}17 \text{mm}$	<b>02</b>
<b>I</b>	 $\text{CT} 26$	<b>02</b>
<b>Z</b>	 SPACER spacer	<b>02</b>



### BEDS WITH CENTRE LEGS

PLEASE NOTE THE RECOMMENDED PROCESS FOR ADJUSTING CENTRE LEGS WHEN ASSEMBLING YOUR BED.

BEFORE PLACING THE MATTRESS ON THE BASE, PLEASE ENSURE THAT THE SUPPORT LEGS ARE NOT QUITE TOUCHING THE FLOOR. WHEN THE BED IS THEN IN USE THE SUPPORT LEGS WILL SIT FIRMLY ON THE SOLID SURFACE.

PLEASE ENSURE THAT THE LEGS ARE VERTICAL

**DUE TO THE NATURE OF LAMINATE FLOORING WE RECOMMEND THAT YOU PLACE A SMALL PIECE OF NON SLIP MATERIAL UNDER THE LEGS WHICH WILL GIVE YOU THE FLEXIBILITY THAT THE ADJUSTERS NEED.**

WHEN MOVING THE BED IT IS ESSENTIAL THAT IT IS LIFTED INTO THE NEW POSITION. **NEVER DRAG** THE BED AS THIS WILL MOVE THE LEGS FROM THE VERTICAL POSITION THUS WEAKENING THE SUPPORT OF THE CENTRE RAIL.

ADHERING TO THE RECOMMENDED PROCESS SHOULD ENSURE THAT YOUR BED GIVES YOU YEARS OF TROUBLEFREE SERVICE.

THANK YOU

# PROBLEMS?

SHOULD YOU ENCOUNTER ANY DIFFICULTY WITH THE ASSEMBLY OF YOUR BED, PLEASE DO NOT TROUBLE YOUR RETAILER BUT

CALL, FAX, E - MAIL or WRITE to our **CUSTOMER SERVICES DEPARTMENT**

BETWEEN THE HOURS OF  
9.00am to 5.00pm MONDAY to THURSDAY  
and  
9.00am to 4.00pm FRIDAY

Tel : 01455 850 150

Fax: 01455 848 169

Email: [info@limelightbeds.co.uk](mailto:info@limelightbeds.co.uk)

Limelight Beds Ltd  
Orbital House  
Arthur Street  
Barwell  
Leicestershire  
LE9 8GZ

Please have the following information ready for our staff

- Product Name
- Part Number

see our range on website:  
[www.limelightbeds.co.uk](http://www.limelightbeds.co.uk)

# CARING FOR YOUR NEW LIMELIGHT PRODUCT

## **PLEASE NOTE : GOODS THAT NEED TO BE RETURNED**

- ✍ SHOULD BE SENT BACK IN ITS ORIGINAL PACKAGING.
- ✍ When assembling your bed, please ensure that you have checked the contents for all relevant parts.
- ✍ When tightening bolts, do make sure that they are fully tightened but not forced.
- ✍ When moving your fully assembled bed, you must first remove the mattress and lift the frame into position; taking care when lifting and always have two people handling the bed. **PLEASE DO NOT DRAG THE BED** as this will cause damage to the central support legs and rail. Central legs **MUST** be in a vertical position at all times.
- ✍ Due to the nature of laminate flooring, we recommend that you place non-slip material under the central support legs. This will stop the legs from sliding on laminate/wooden floors and will prevent the bed from collapsing.
- ✍ It is advisable to use approved cleaning products when cleaning the furniture and bed frame as certain chemical -based cleaners could have an adverse effect on the bed's finish.
- ✍ All Limelight beds are produced to the highest standards and are packed to avoid damage in transit. Should you find that your new bed does not meet your satisfaction, please contact Limelight's Customer Services Department at 01455 850 150.

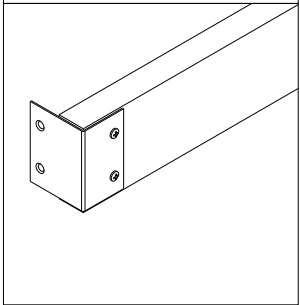
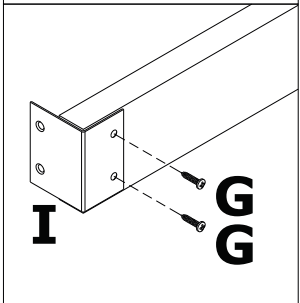
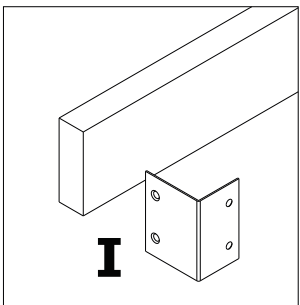
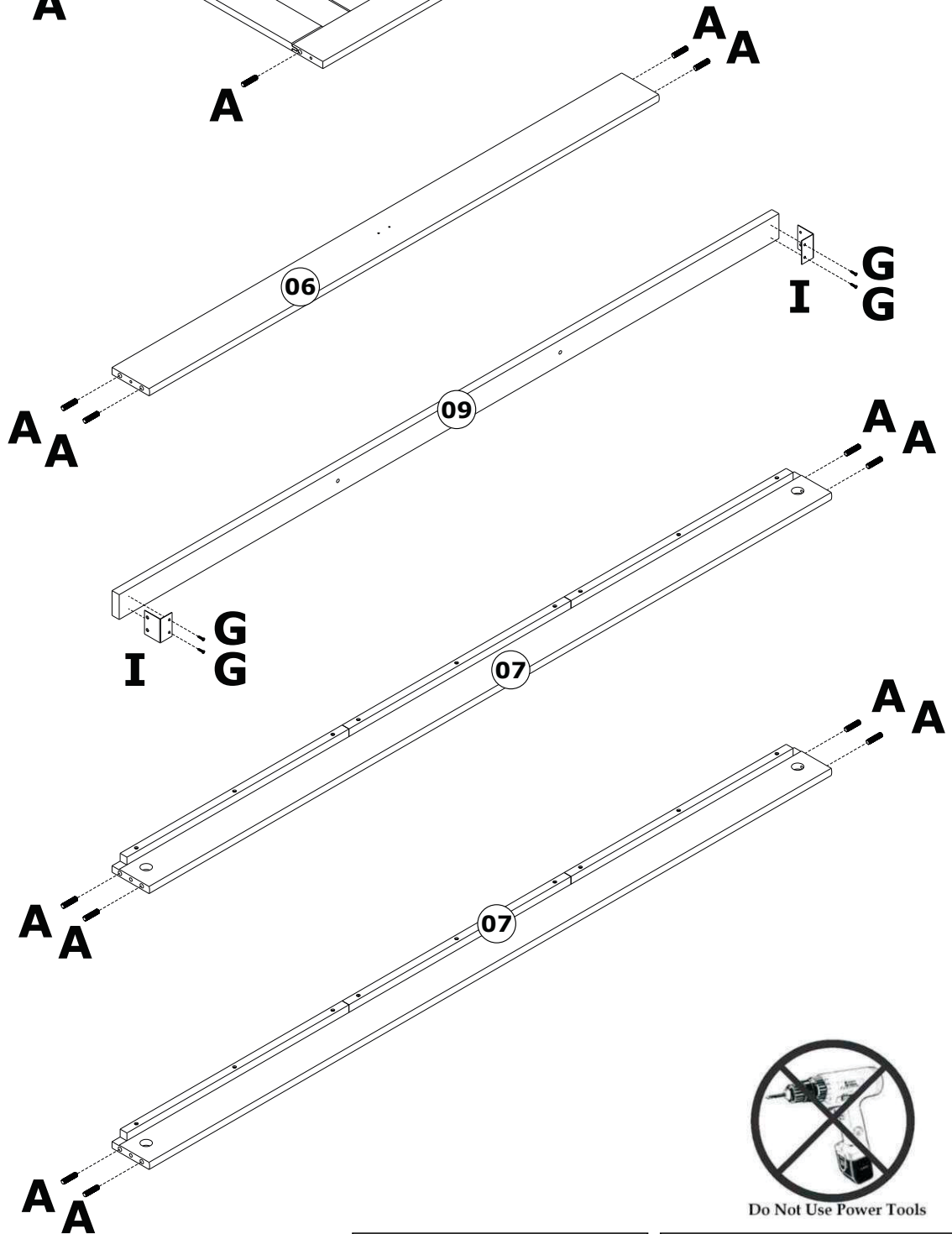
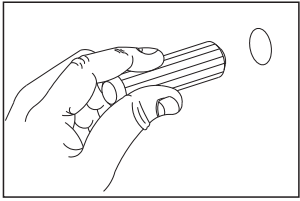
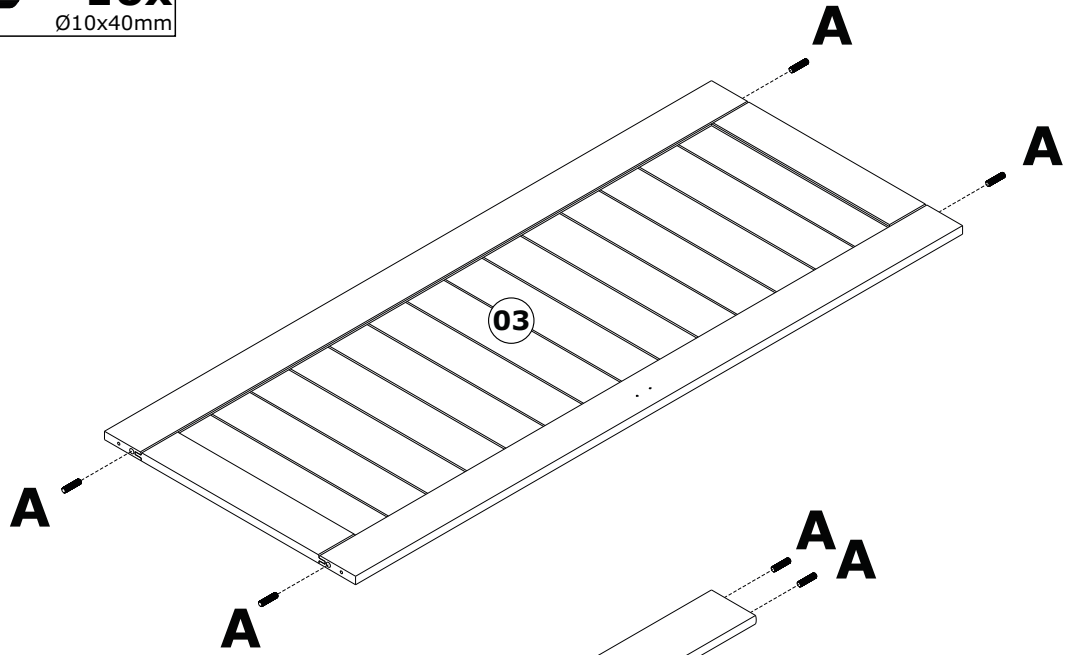
01

A



16x

Ø10x40mm



Do Not Use Power Tools

G



04x

Ø3,5x16mm

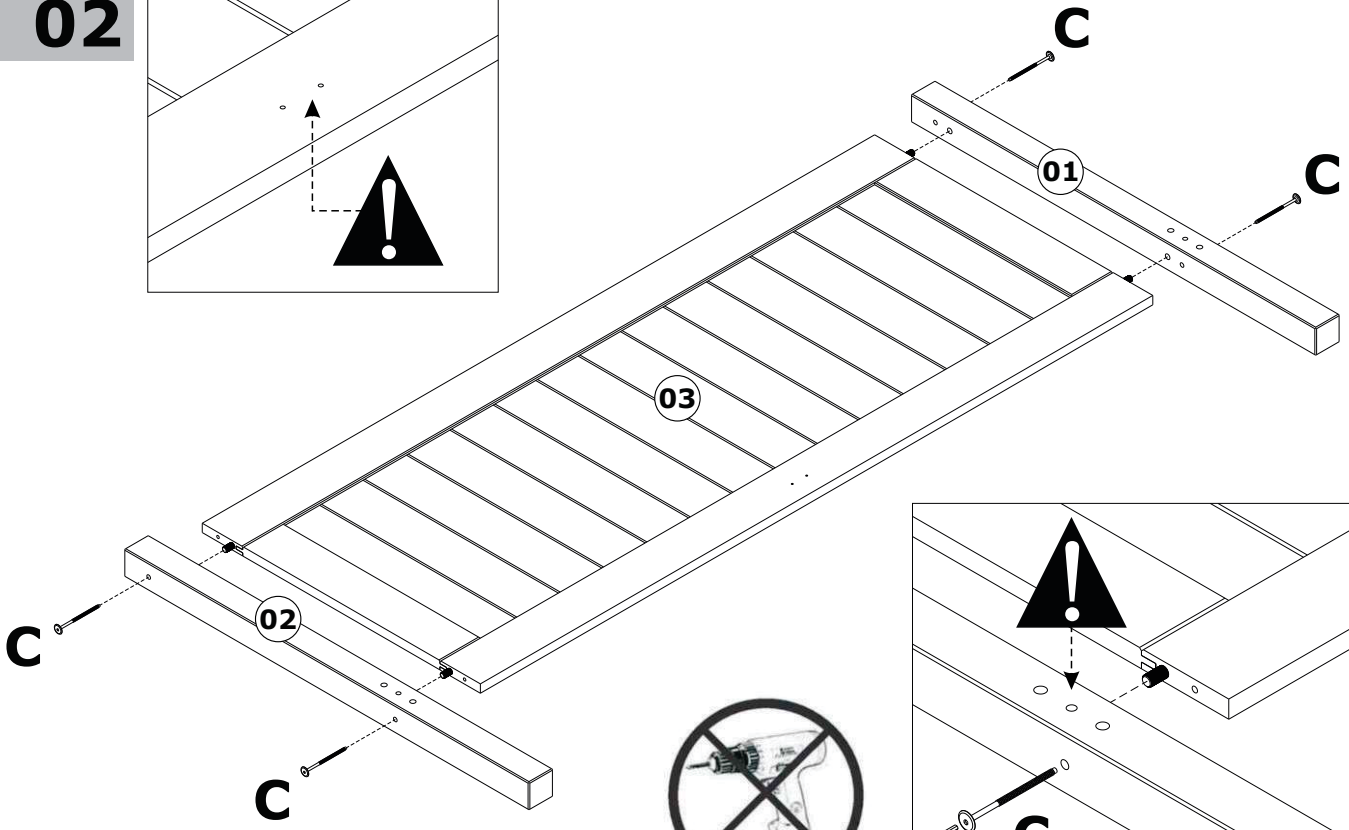
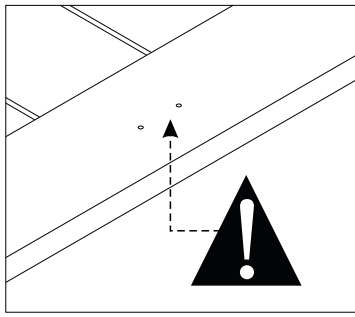
I




02x


CT26

**02**

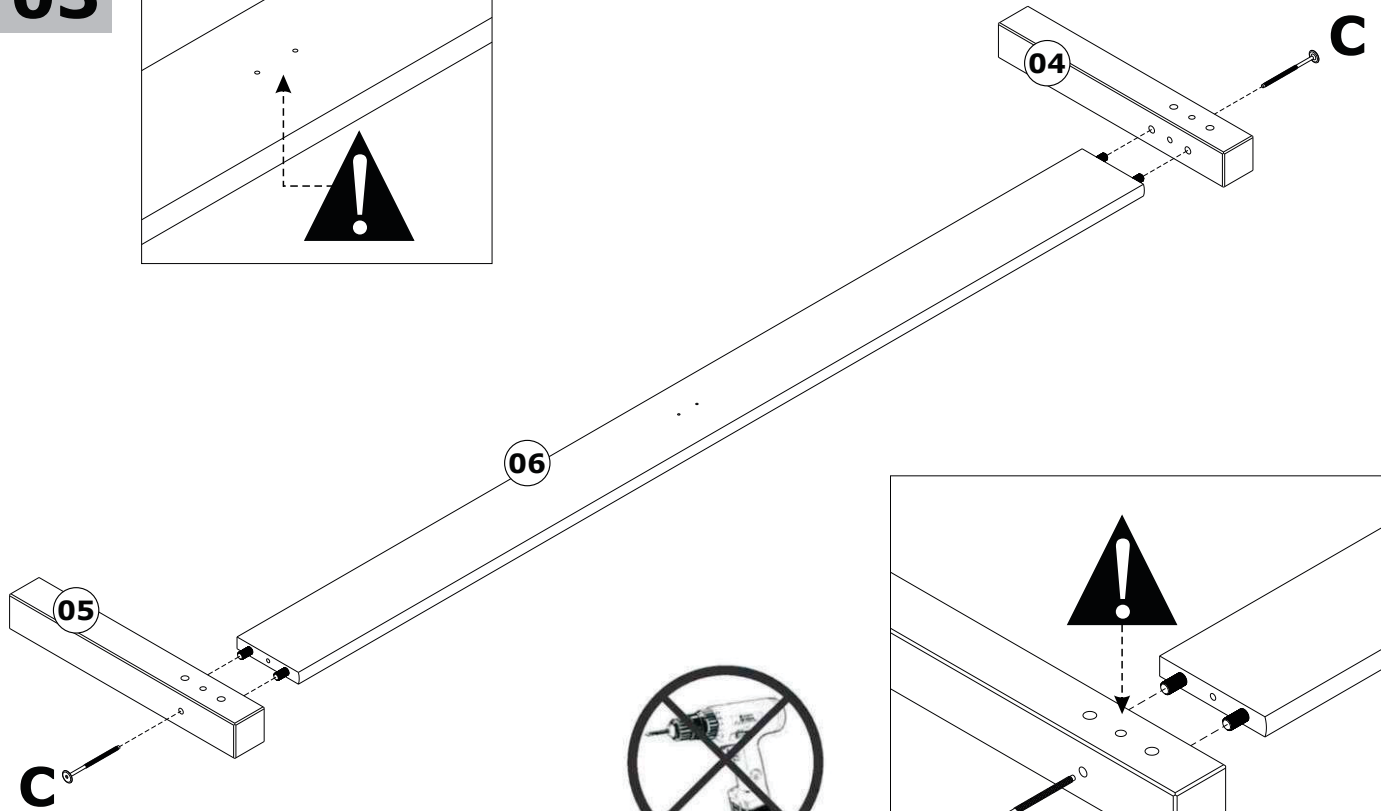
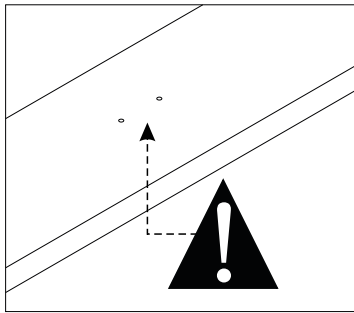


Do Not Use Power Tools


**C**  **04x**  
 Ø7x90mm - Cab. Ø17mm


**F**  **01x**  
 4mm

**03**



Do Not Use Power Tools

**C**  **02x**  
 Ø7x90mm - Cab. Ø17mm

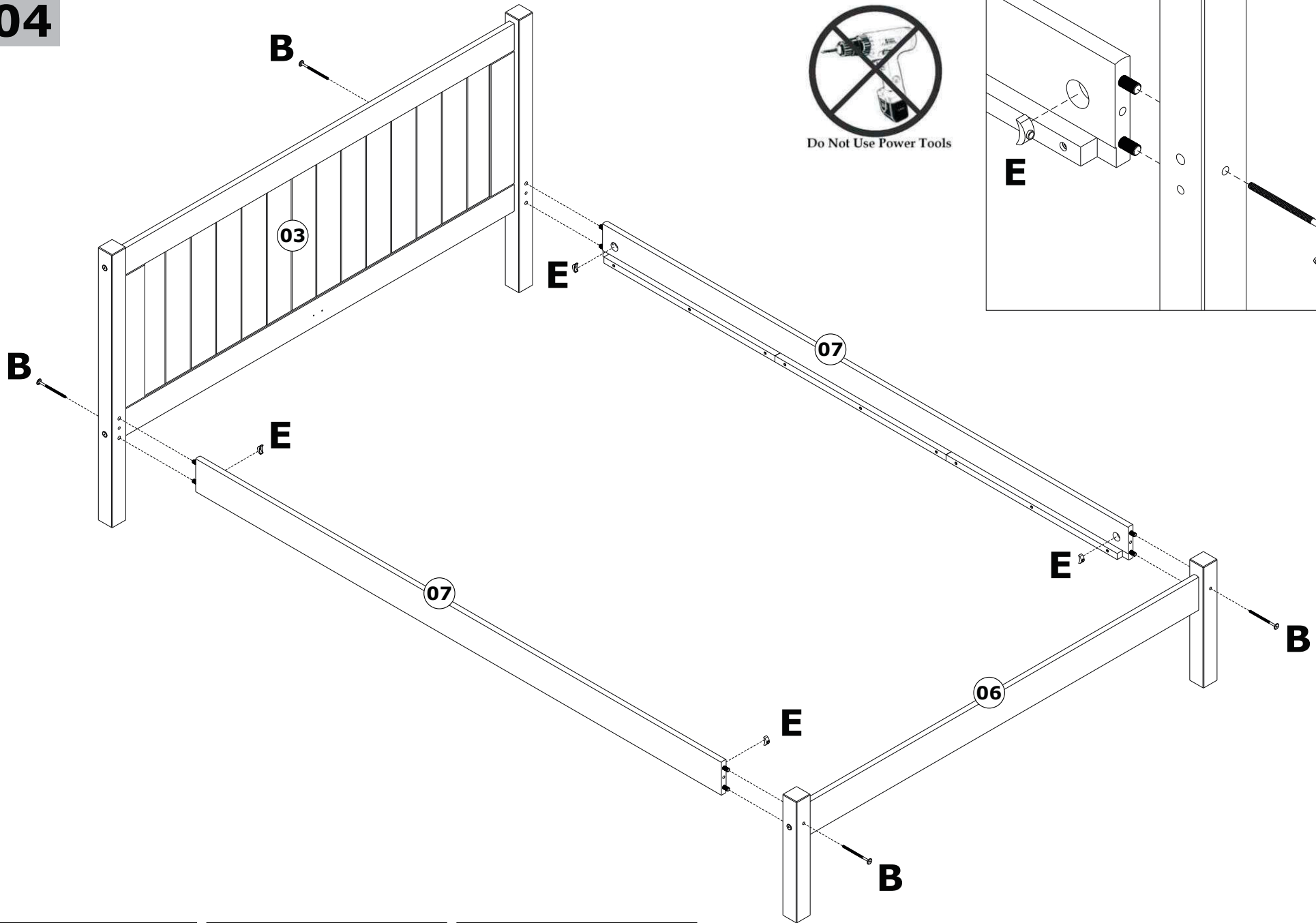
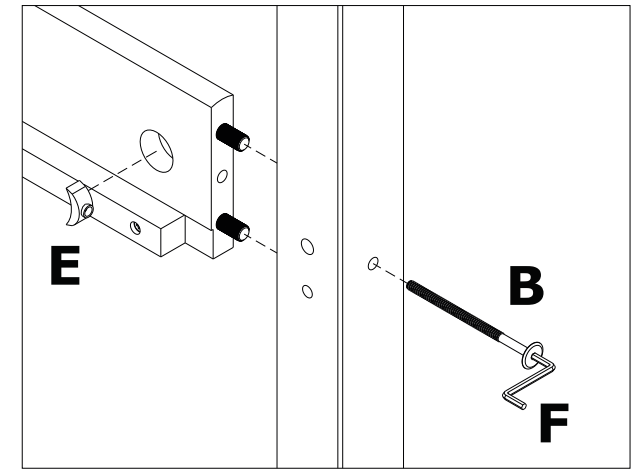
**F**  **01x**  
 4mm

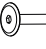


04




Do Not Use Power Tools

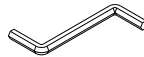


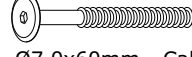
**B**  **04x**  
Ø1/4"x100mm - Cab. Ø17mm

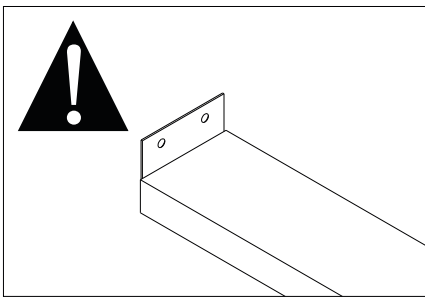
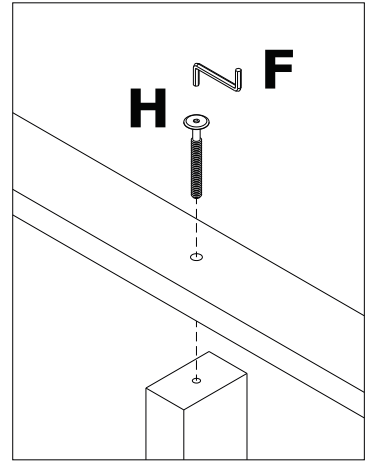
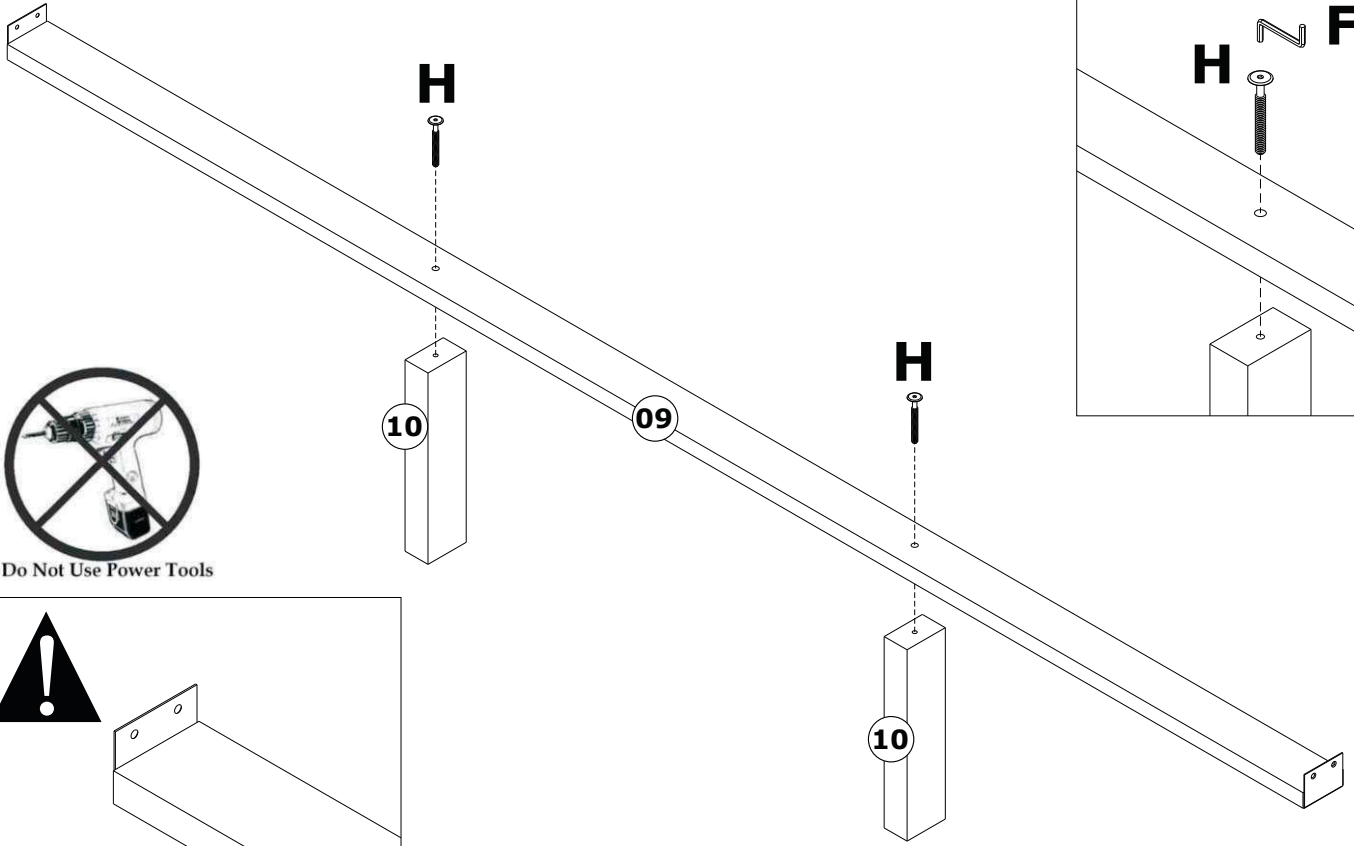
**E**  **04x**  
Ø1/4"x25mm

**F**  **01x**  
4mm

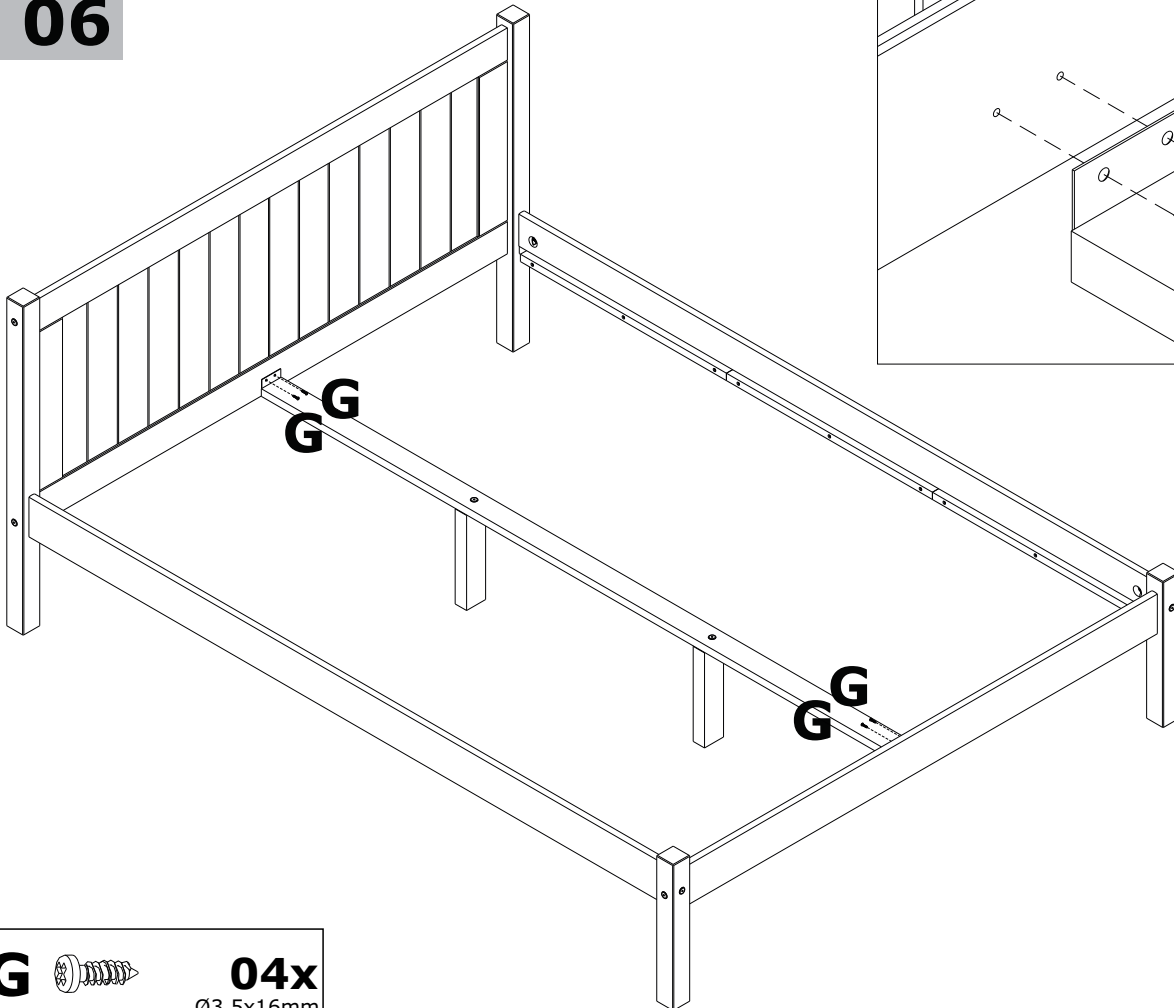
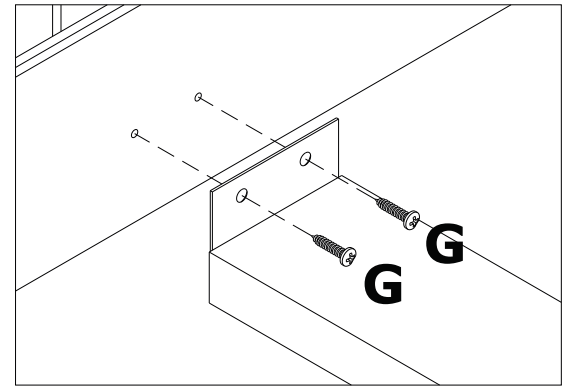
**05**

**F**  **01x**  
4mm

**H**  **02x**  
Ø7,0x60mm - Cab. Ø17mm



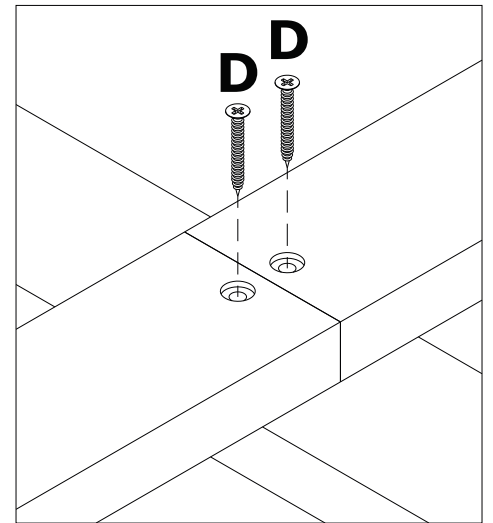
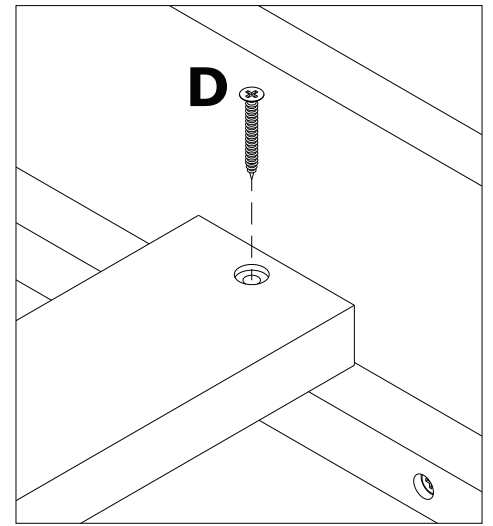
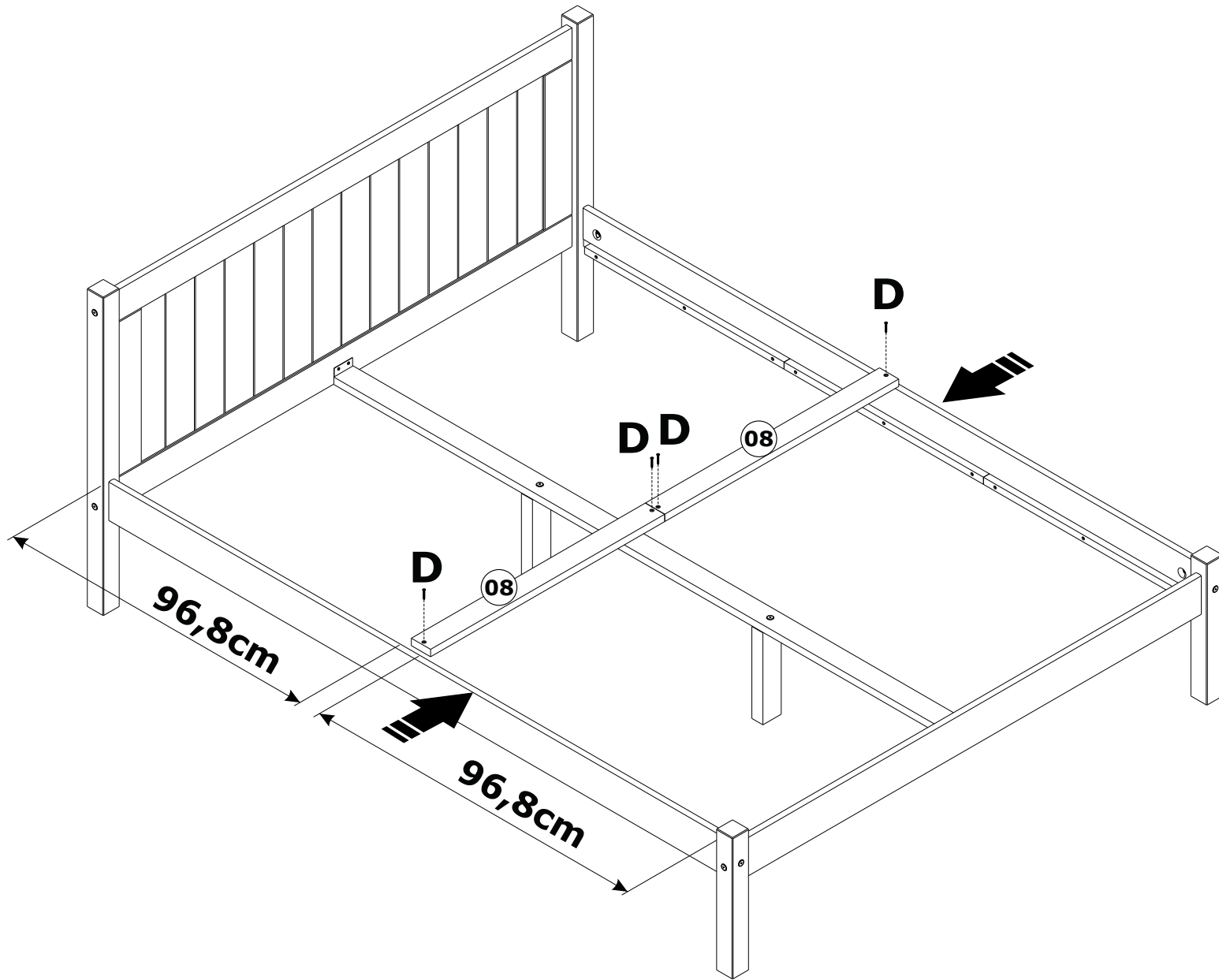
**06**



**G**  **04x**  
Ø3,5x16mm



07

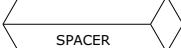


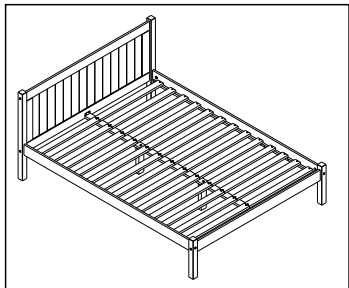
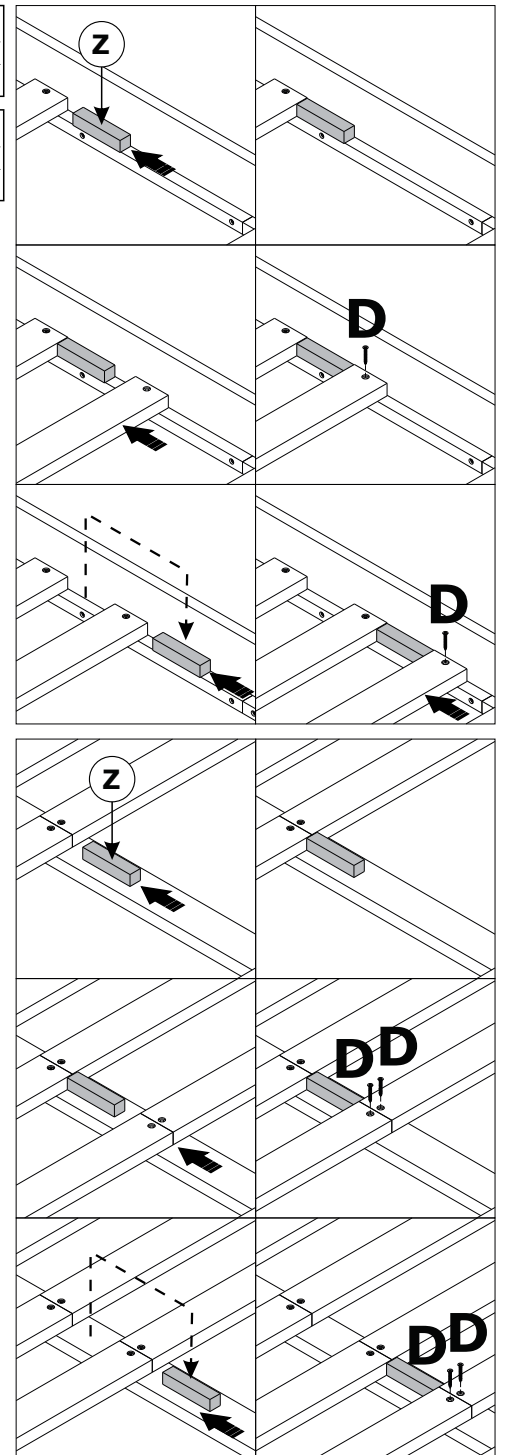
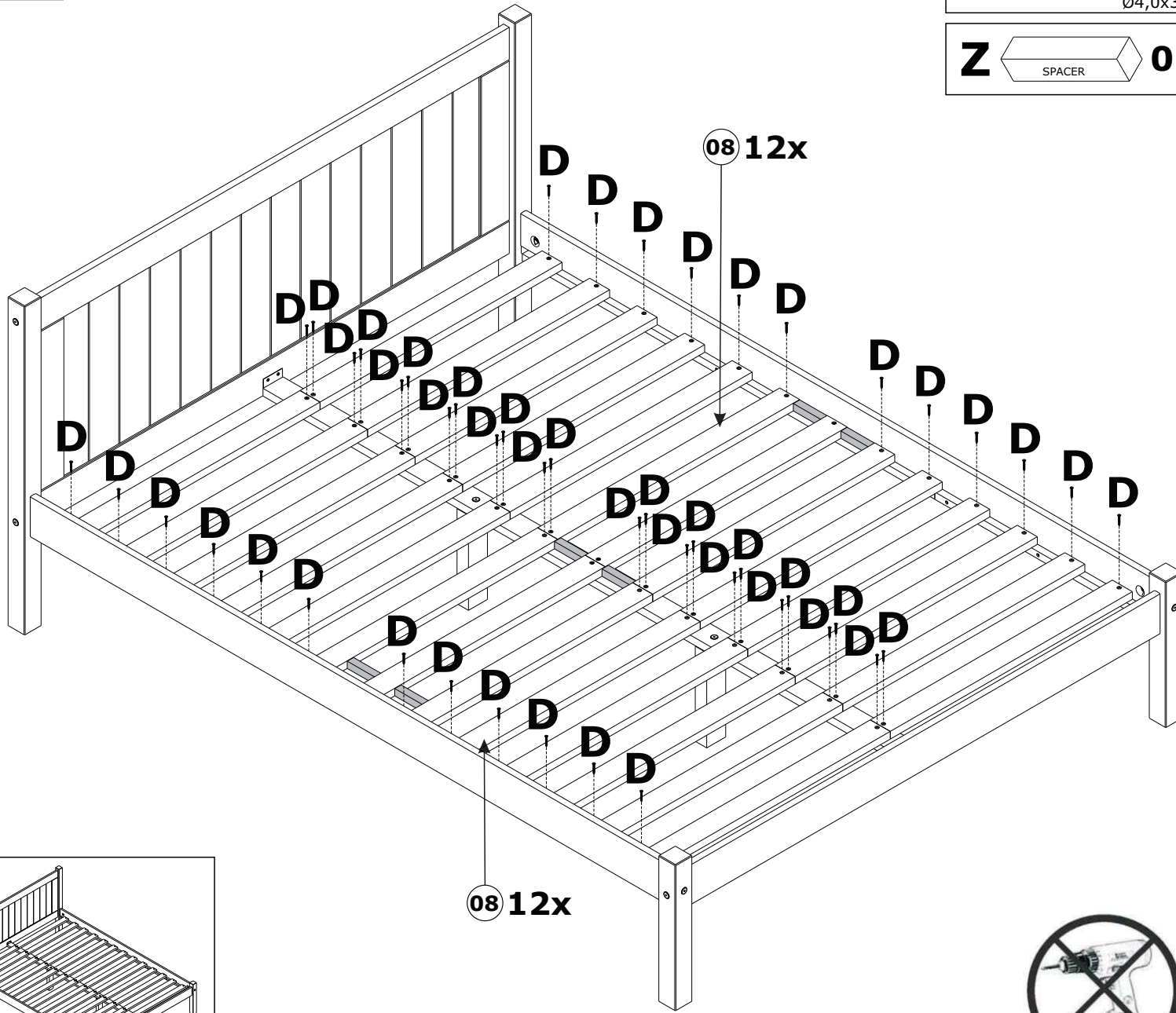
Do Not Use Power Tools



08

**D**  **48x**  
Ø4,0x30mm

**Z**  **02x**  
SPACER



Do Not Use Power Tools