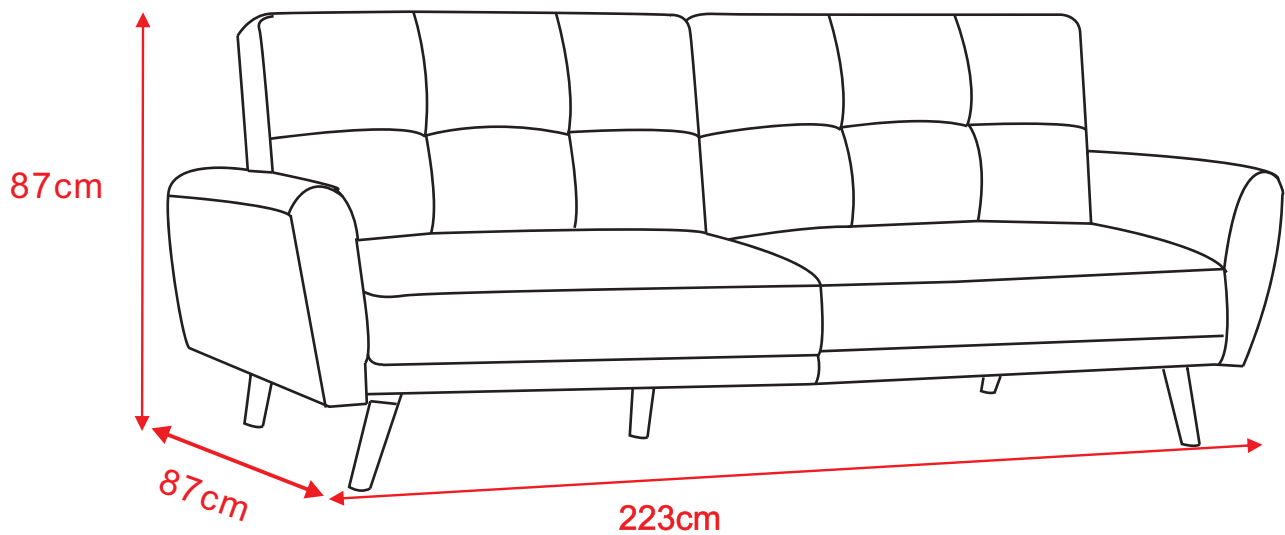


# Sofa Bed

## Assembly Instructions

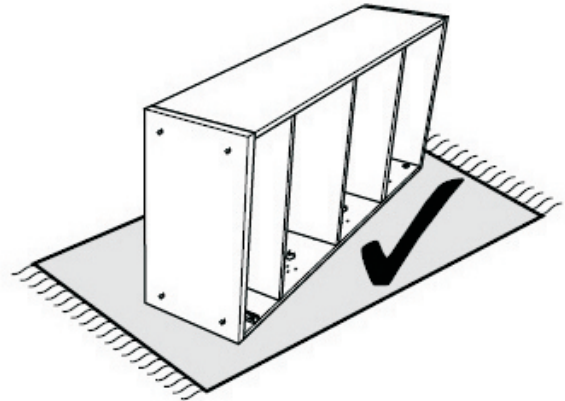
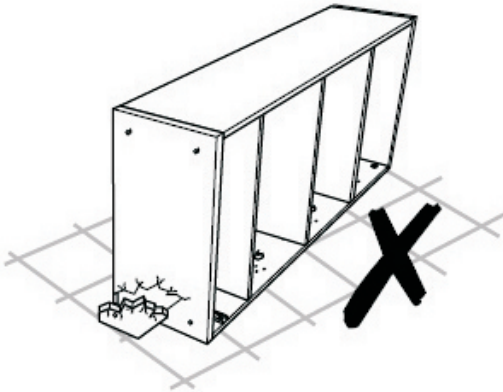
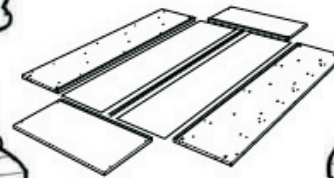
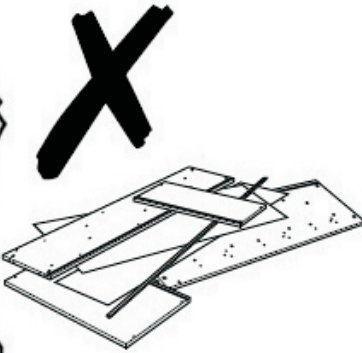
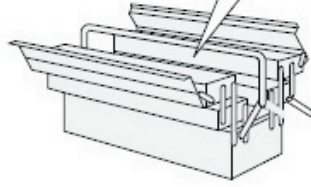


VERSION180723

MON504



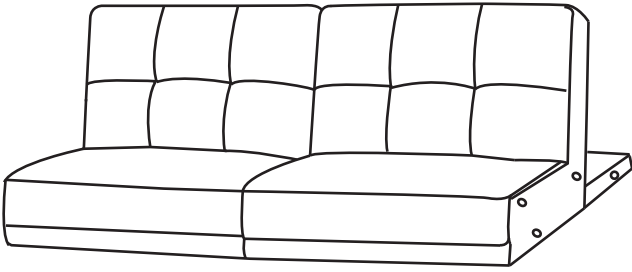
No Extra  
Tools Required



Customer Service  
(01623 727374)

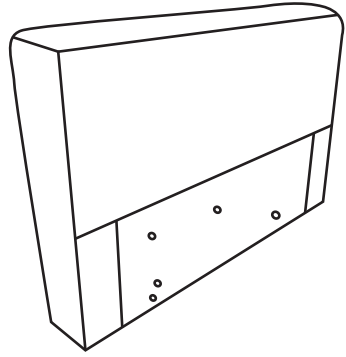
PARTS

①



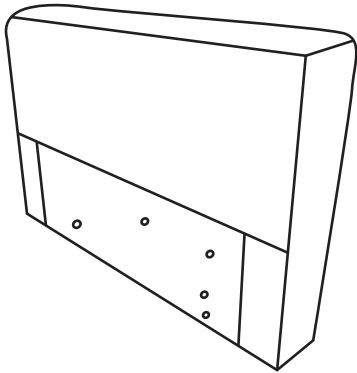
X1

②



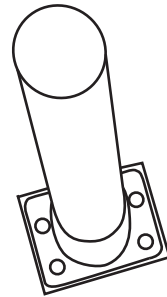
X1

③



X1

④



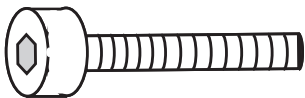
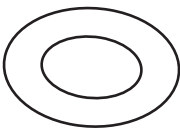



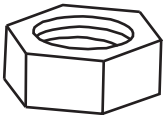
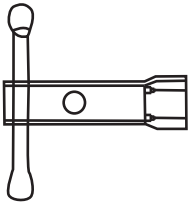
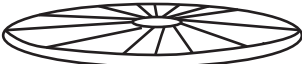
X4

⑤



X1

# HARDWARE LIST

A		M8*25mm	16PCS
B		8*30*2mm	8PCS
C		M8	1PCS
D		M8*80mm	8PCS
E		8*22*2mm	16PCS
F		M8	8PCS
G			1PCS
H			1PCS

## Safety Advice

**Please take the time to carefully read through the whole of these instructions before you commence.**

Keep these instructions for future reference.

Unpack, inspect and check off all of the contents.

Please dispose of all packaging safely.

Small component parts could choke a child if swallowed.

We strongly recommend that you keep children well away from the work area.

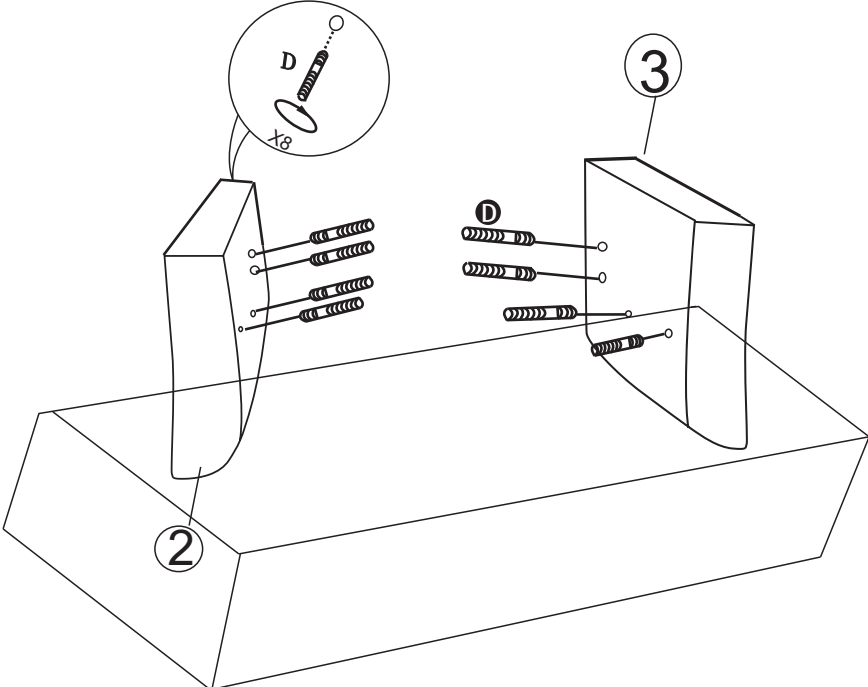
It would be sensible to lay a sheet or blanket on the floor where you intend to work to avoid scratching this product and to protect your floor.

This product is heavy. Take extreme care when lifting to avoid personal injury or damage to the product.

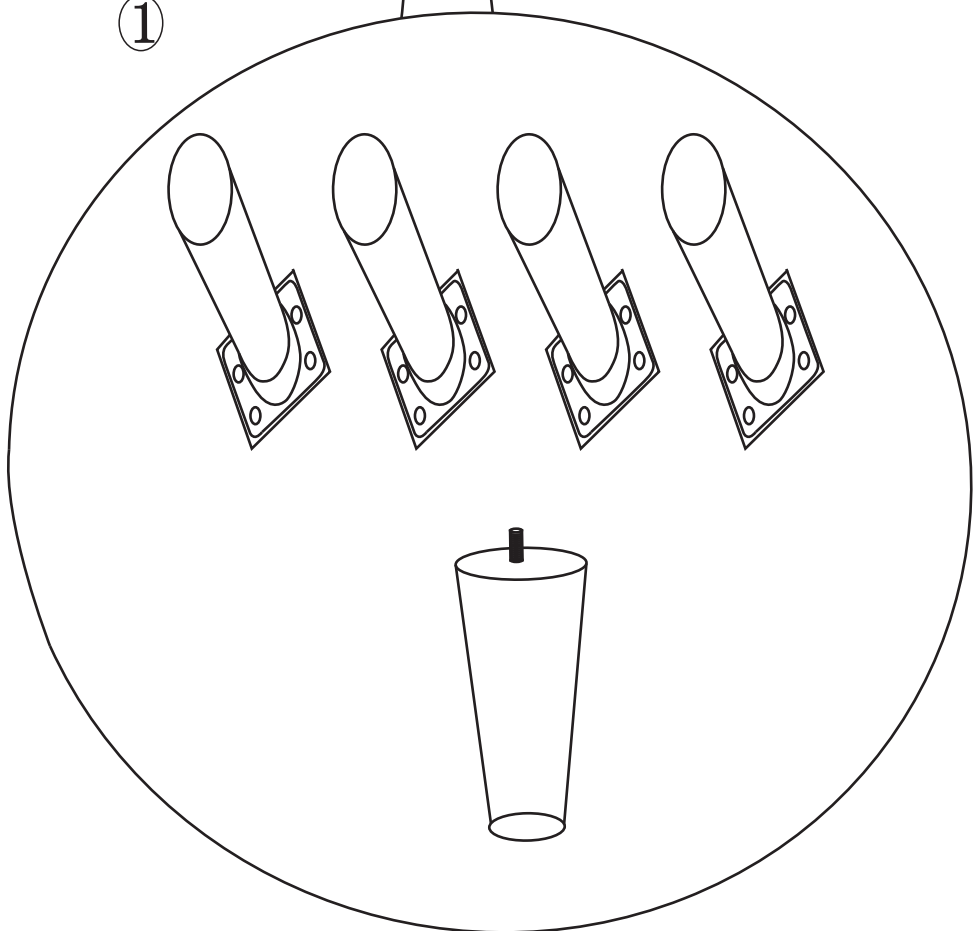
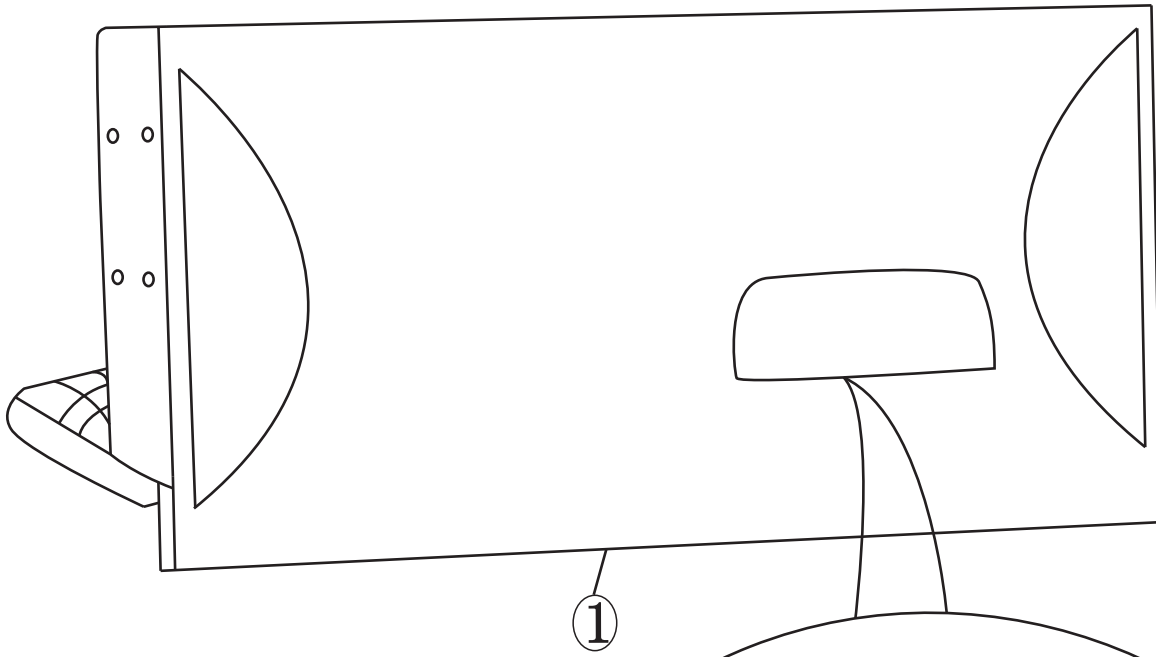
Assemble the product as close to its intended final position in the room as possible.

**HANDY HINT:** If you keep the hardware in a bowl during assembly you will be less likely to lose them.

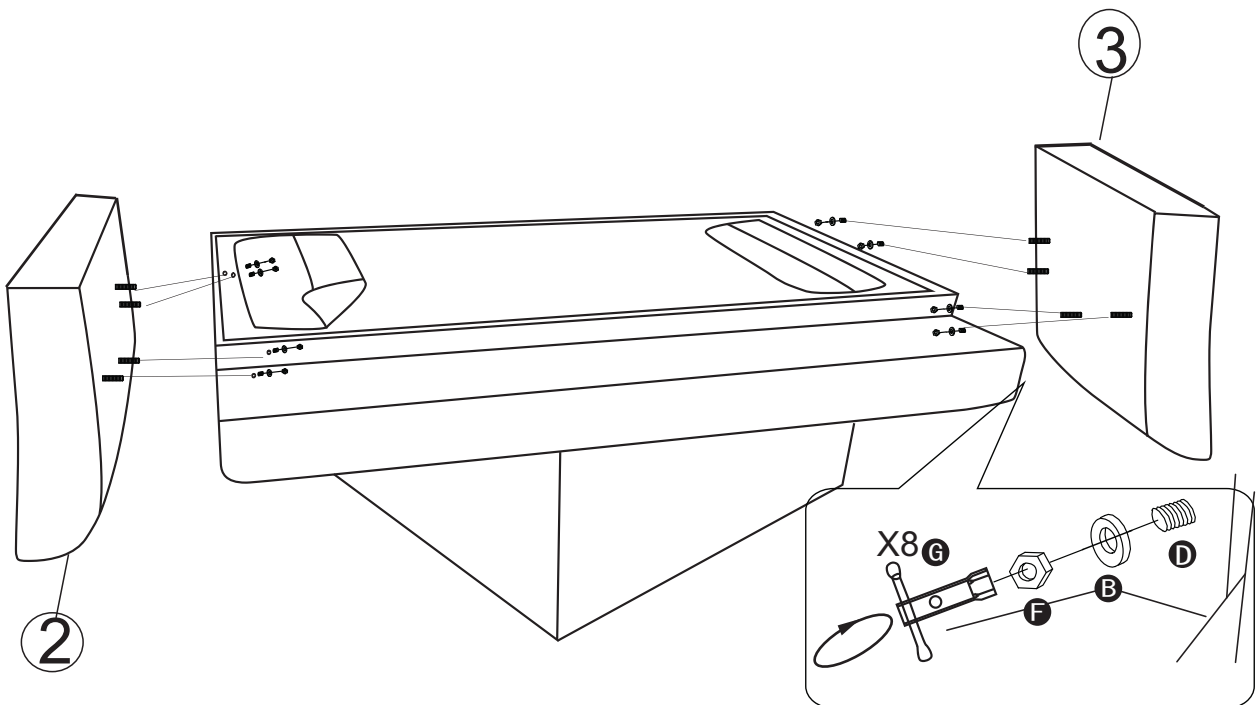
Step 1



Step 2

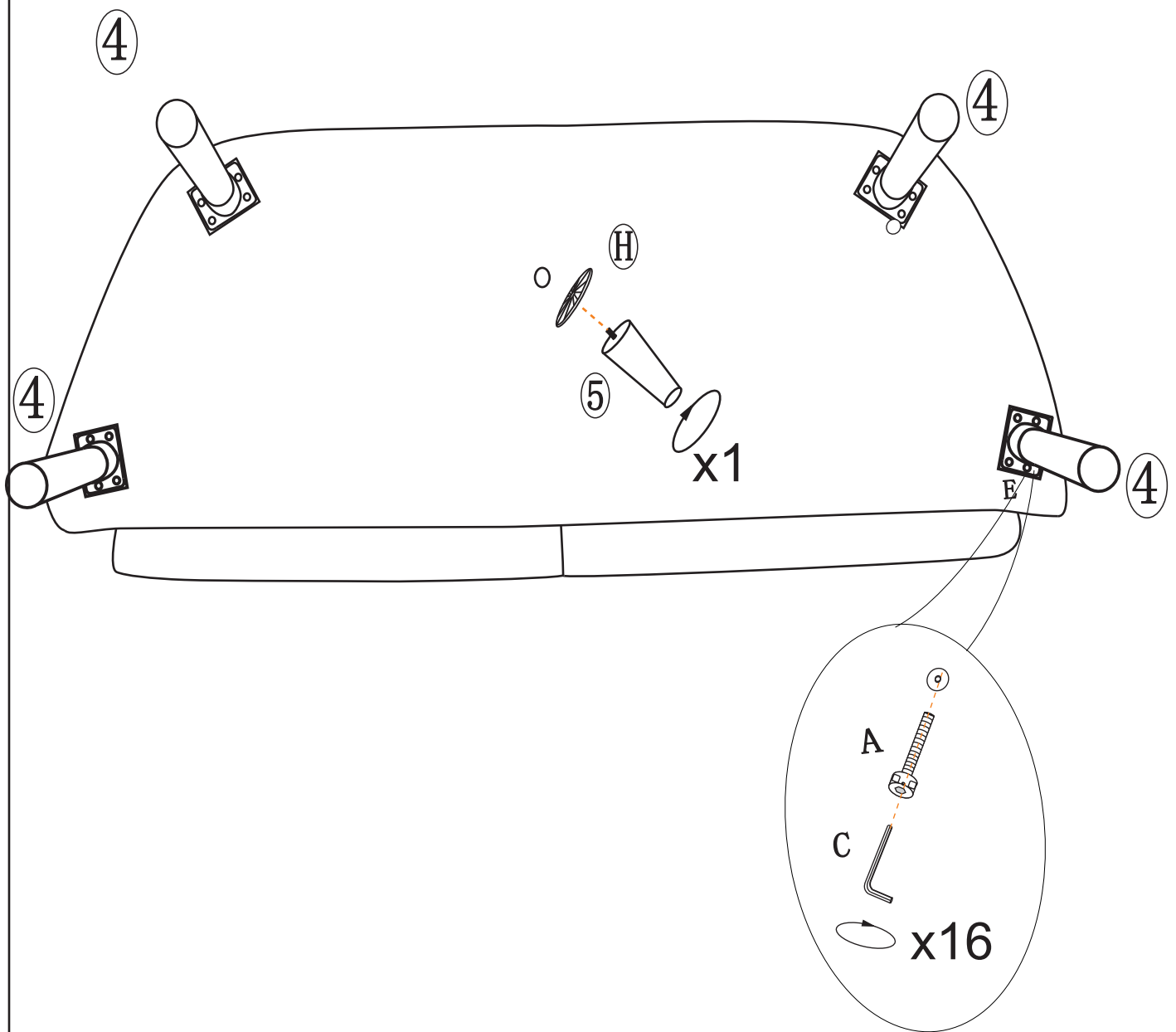


### Step 3

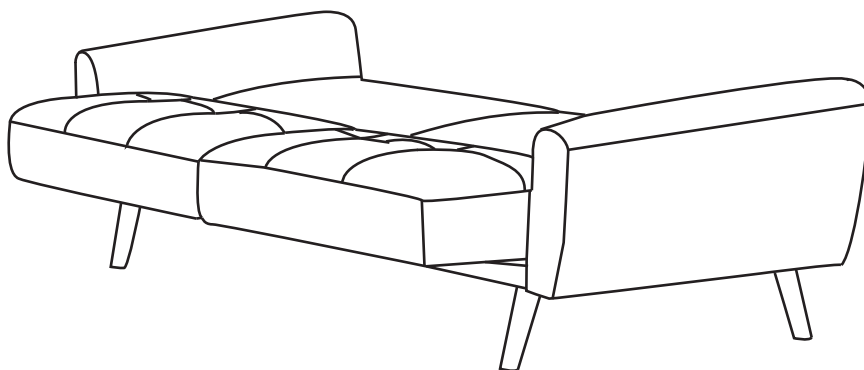
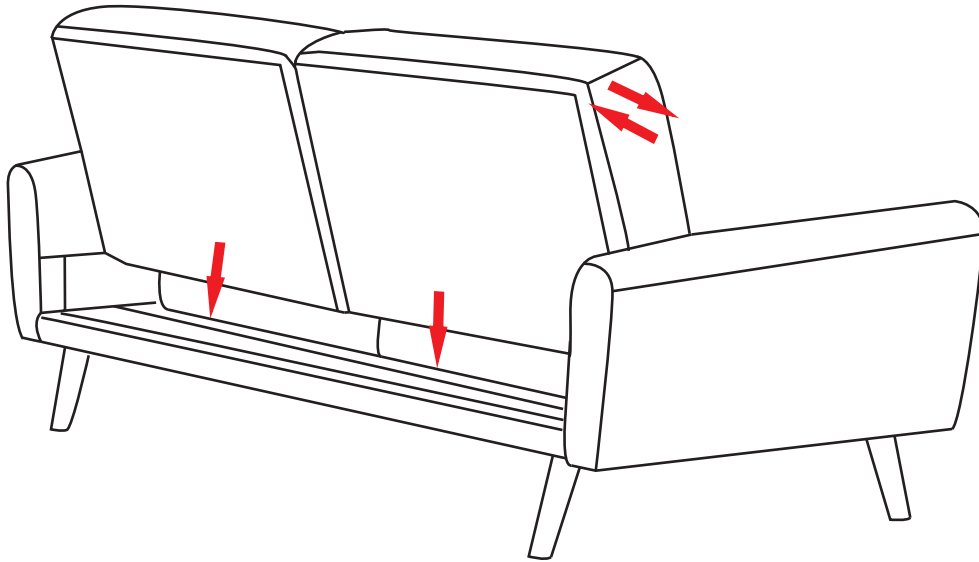




# Step 4



**Step 5**



## Care and Maintenance

### Storage:

- **Keep the sofa bed dry and clean. Use a dust sheet to protect the sofa bed if it will not be used for a long period.**
- **Do not expose the sofa bed to strong sunlight or high temperatures as this could cause the fabric to fade.**
- **Do not put any heavy articles on to the armrests as this could damage the sofa bed and/or cause it to become unstable.**

### Cleaning:

- **Do not rub the surface of the sofa bed with hard or coarse objects.**
- **Use a damp cloth to clean the fabric upholstery and steel frame then wipe over with a dry cloth to remove any moisture.**

## Fair Wear and Tear Policy

**Your new sofa bed is covered by a 12 month manufacturers warranty. This warranty does not cover the following:**

- **Damage from misuse, and use over the specified weight limit.**
- **Material fading over time or through sunlight.**
- **Damage from spills or leaks.**
- **Collision damage (rubbing against walls, etc).**
- **Accidental tears and damage.**
- **Cigarette and match burns.**

## **Important Note**

**It may be necessary to air the mattress after use and before folding away due to the unavoidable build-up of moisture. Please ensure the mattress is completely dry again before stowing away inside the sofa unit.**

## **General Care**

**Wipe clean with a slightly damp soft cloth.  
Avoid the use of all household cleaners and abrasives.  
When moving your furniture, carefully lift into place.  
Never drag or push the pieces across the floor as this will cause damage to the joints and could result in failure to the product that will invalidate the warranty.**

## **Recommendations**

**Periodical re-tightening of fixings.**

## **Warning**

**This unit is heavy. Please use an assistant when lifting.**

## **Notes**

**We've tried to make this piece of furniture as easy to assemble as possible.  
In the unlikely event that you have problems putting it together or have damaged or missing pieces, please contact our customer services on 01623 727374**