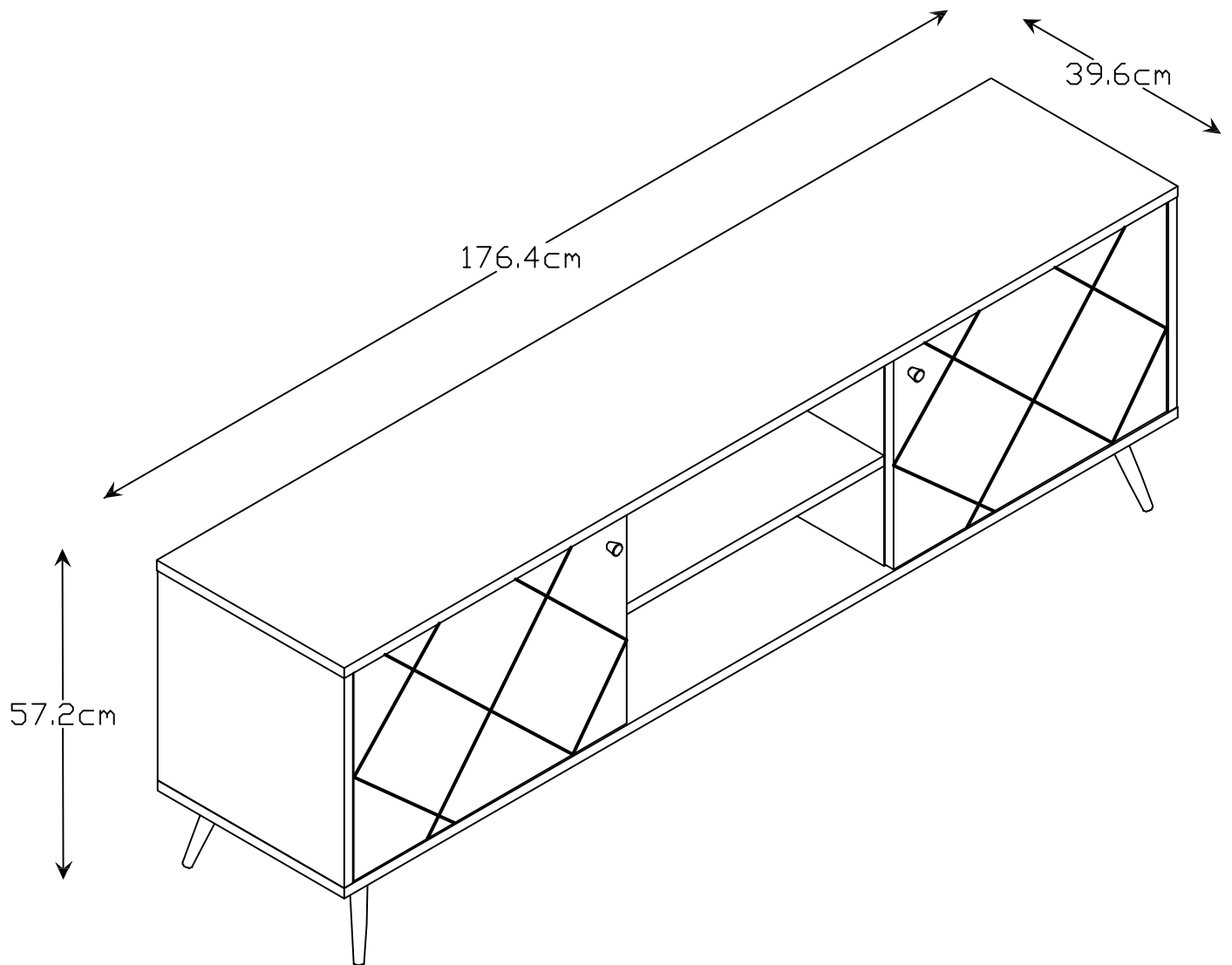
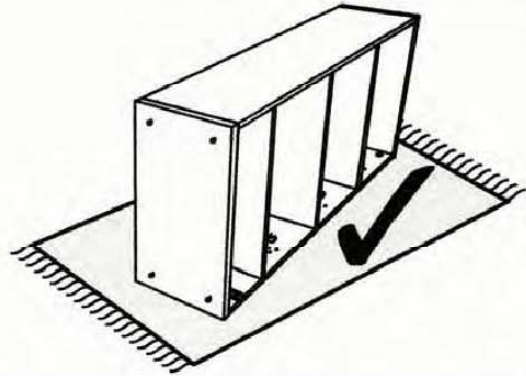
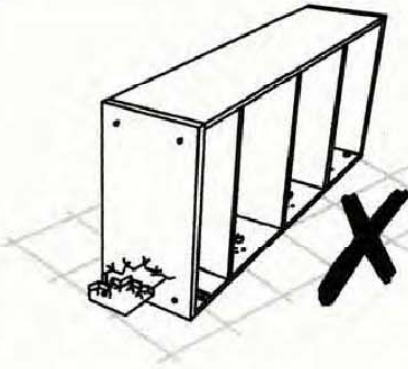
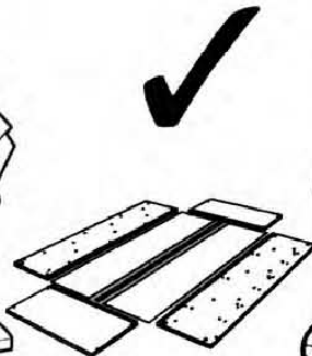
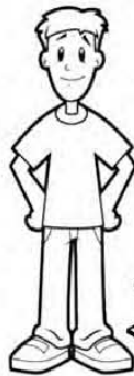
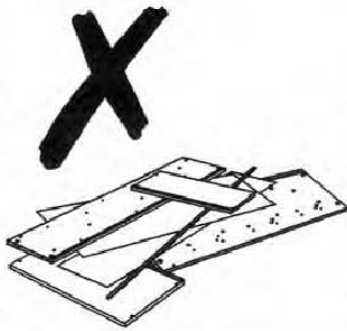
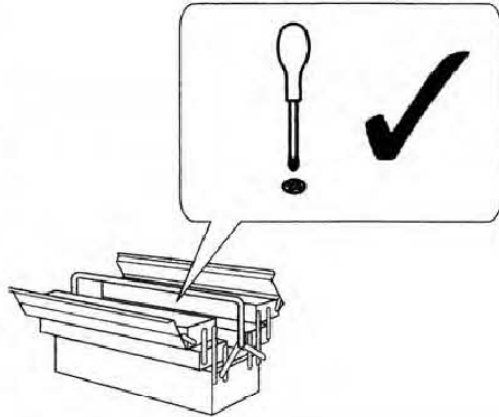


# TV Unit

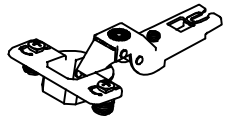





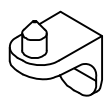
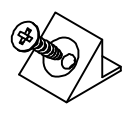
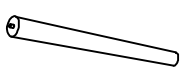
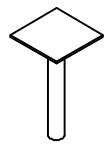
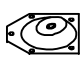

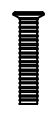
## Assembly Instructions



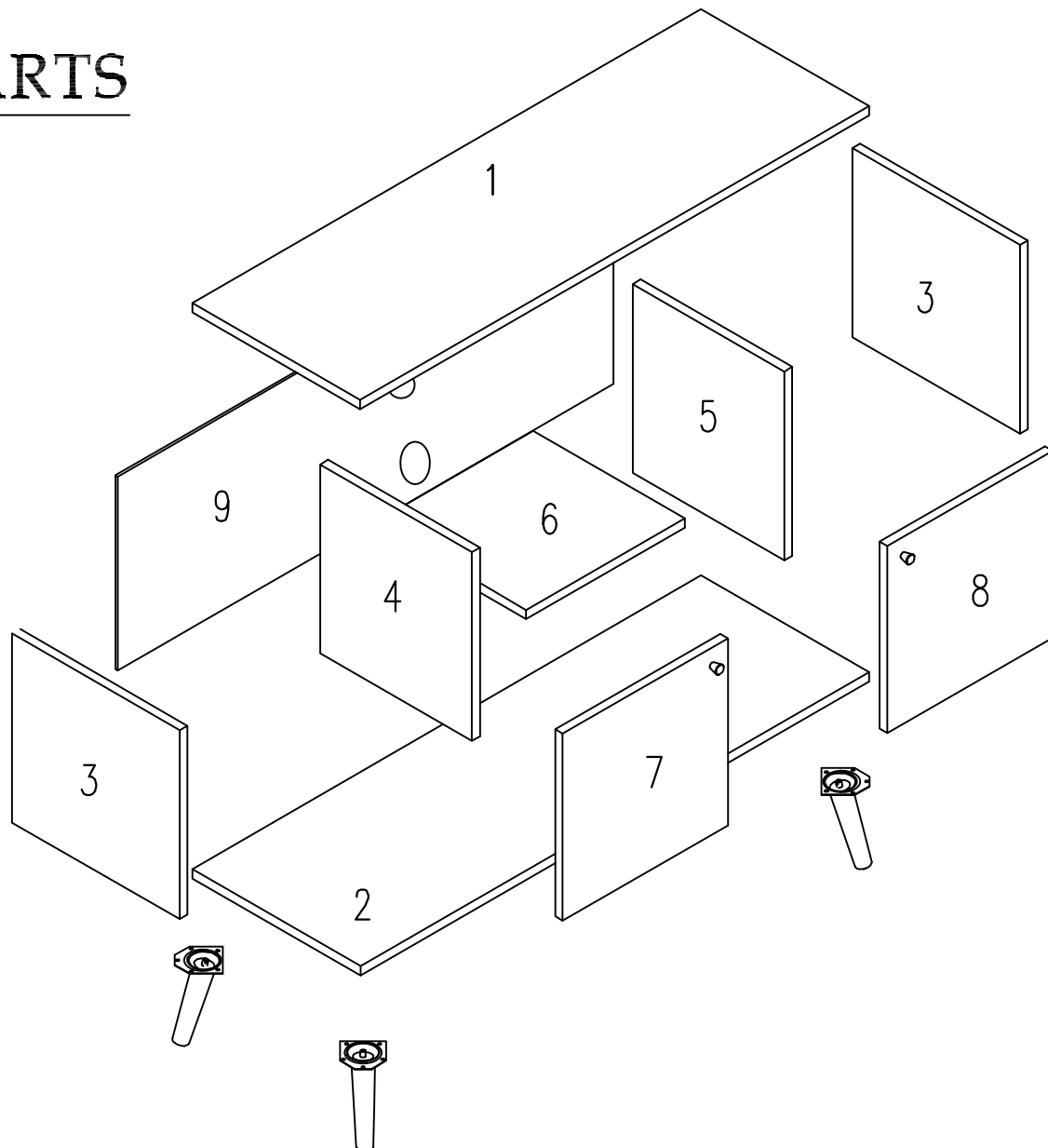


**CUSTOMER SERVICE**  
**(01623 727374)**

# HARDWARE

A	B	C	D	E	F	G
						
big bend	$\phi 18 \times 10 \times H20$	M4*22	M6*42	$\phi 15 \times 13.5$	$\phi 8 \times 30$	/
4 ×	2 ×	2 ×	16 ×	16 ×	16 ×	4 ×
H	I	J	K	L	M	
						
/	$\phi 35 \times H15$	W80D80H150	W67D48H12	M4*16	M6*16	
6 ×	4 ×	1 ×	4 ×	20 ×	3 ×	

# PARTS



# Safety Advice

Please take the time to carefully read through the whole of these instructions before you commence.

Keep these instructions for future reference.

Unpack, inspect and check off all of the contents.

Please dispose of all packaging safely.

Small component parts could choke a child if swallowed.

We strongly recommend that you keep children well away from the work area.





It would be sensible to lay a sheet or blanket on the floor where you intend to work to avoid scratching this product and to protect your floor.

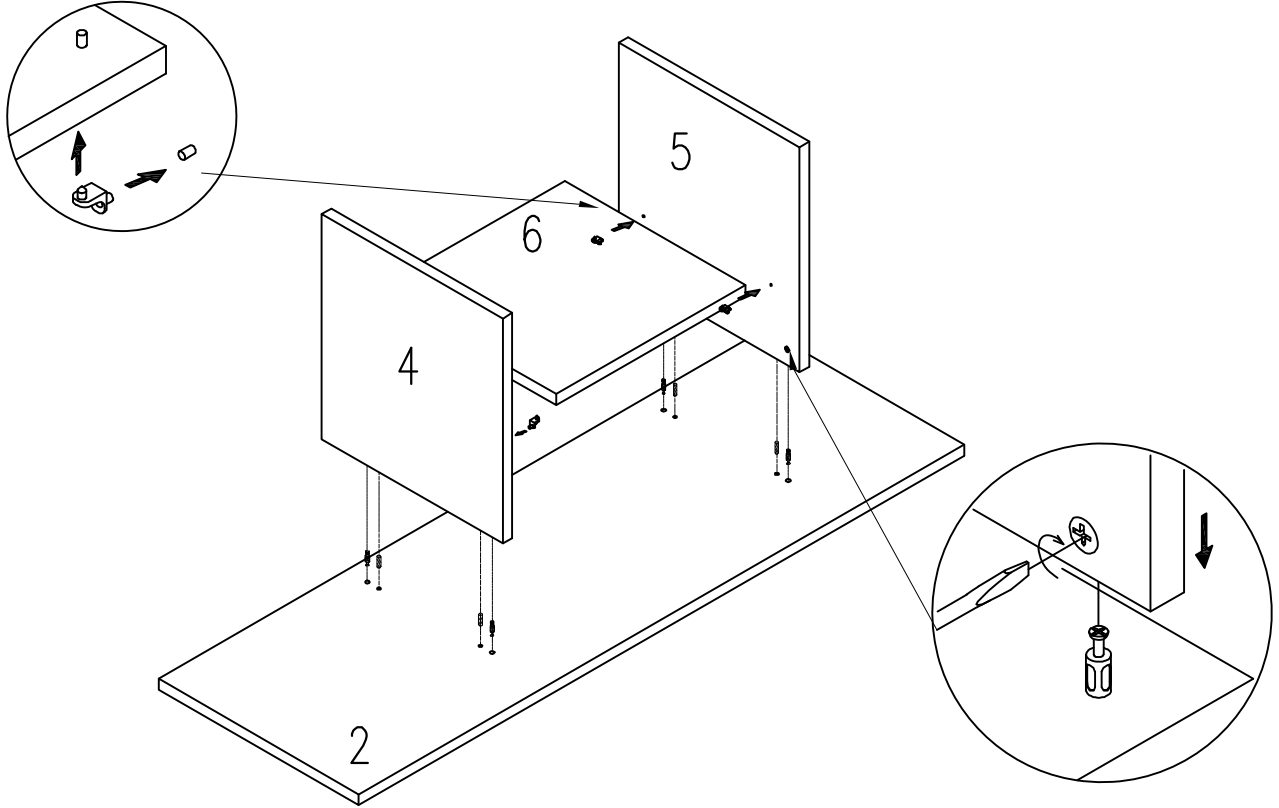
This product is heavy. Take extreme care when lifting to avoid personal injury or damage to the product.

Assemble the product as close to its intended final position in the room as possible.




**HANDY HINT:** If you keep the hardware in a bowl during assembly you will be less likely to lose them.

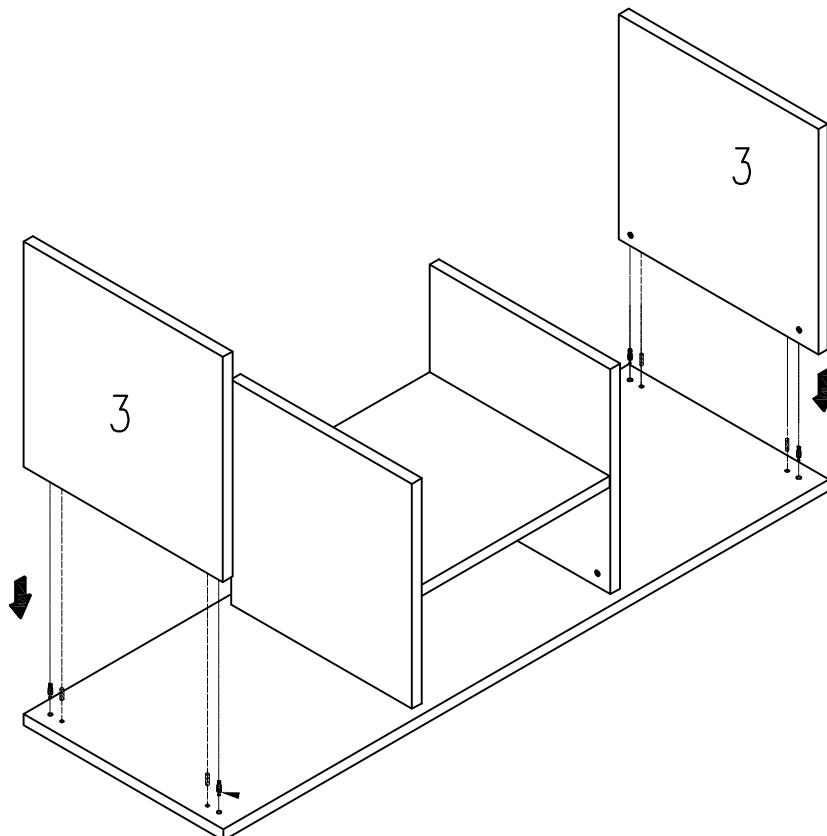
# 1

											
D	M6*42	4pcs	E	φ15*13.5	4pcs	F	φ8*30	4pcs	G	/	4set






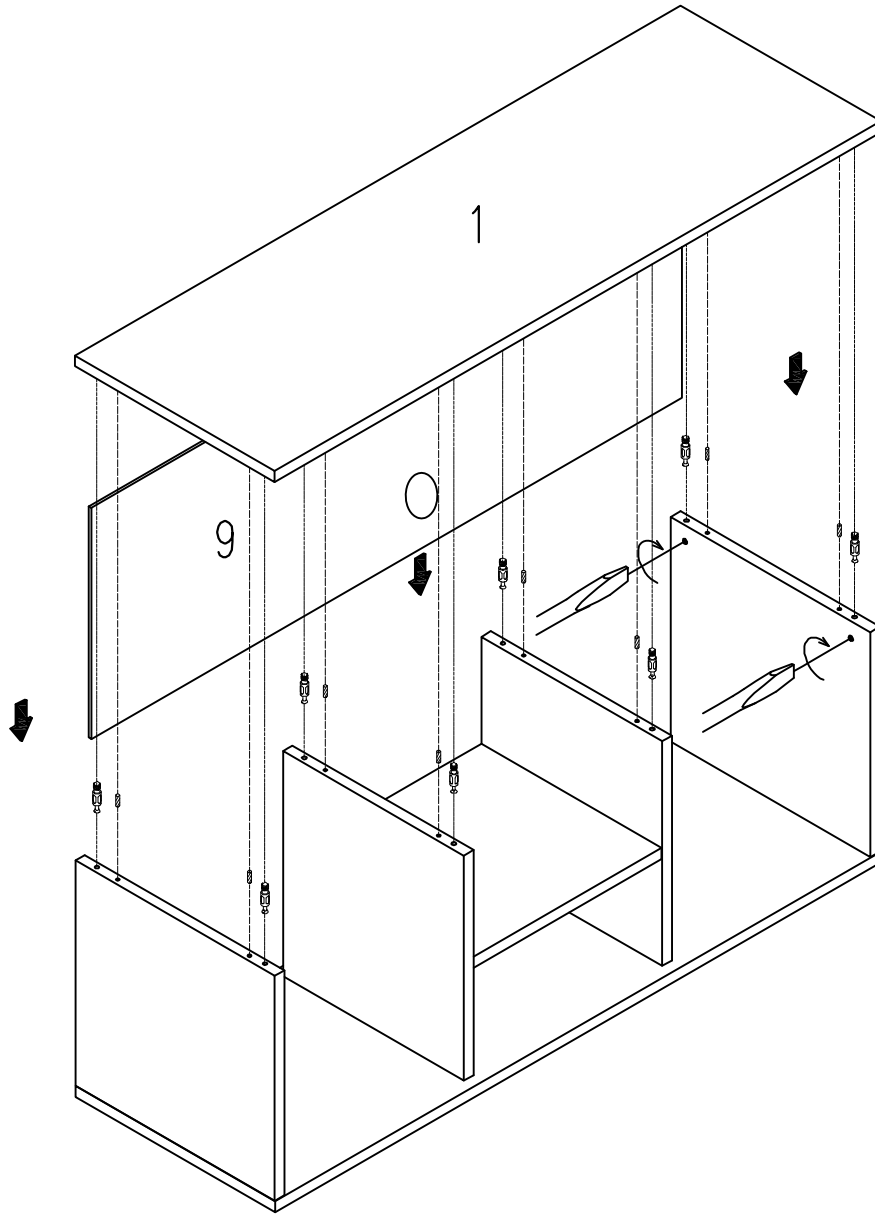
# 2

								
D	M6*42	4pcs	E	φ15*13.5	4pcs	F	φ8*30	4pcs



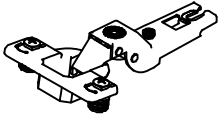


# 3

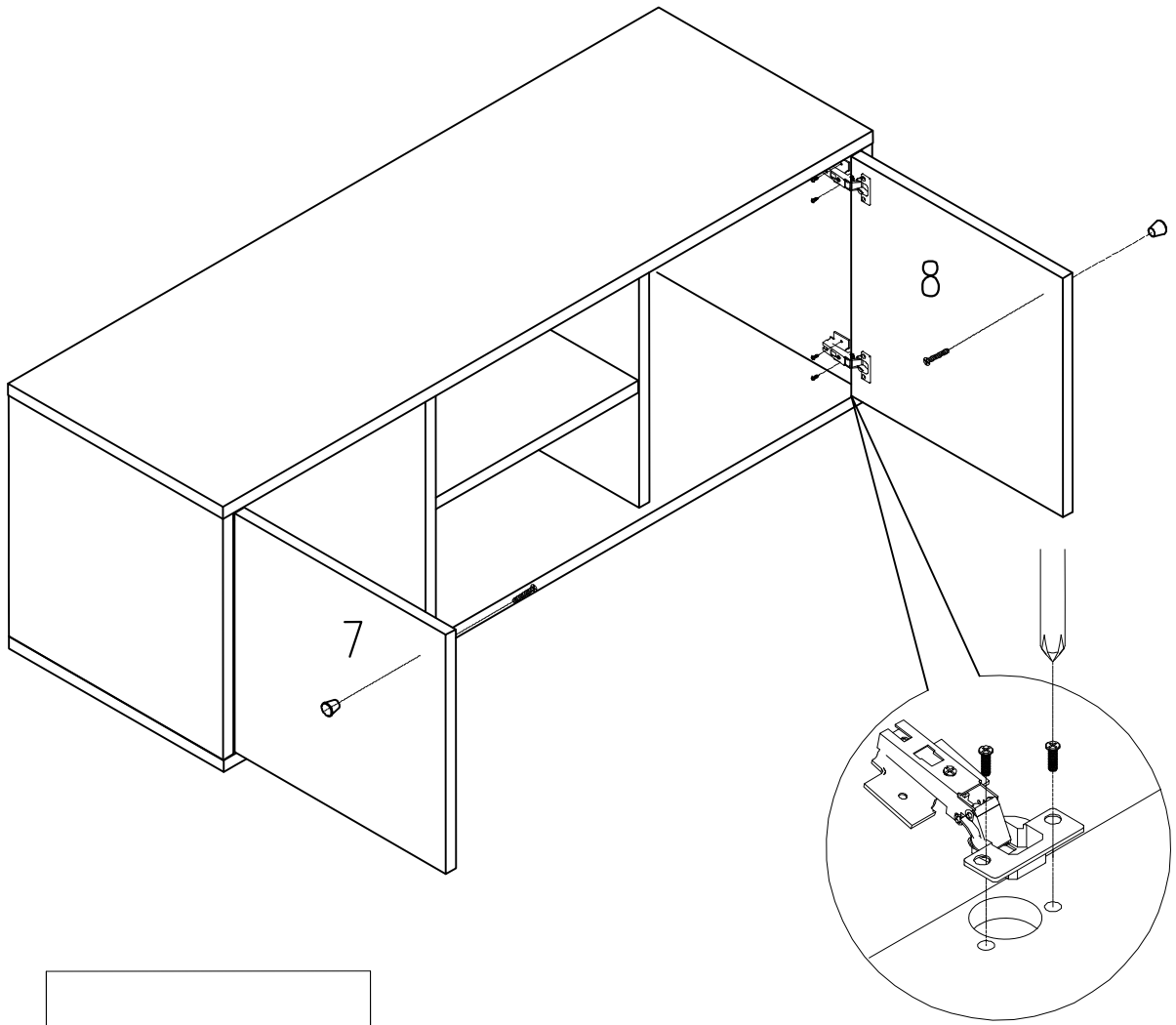
								
D	M6*42	8pcs	E	φ15*13.5	8pcs	F	φ8*30	8pcs



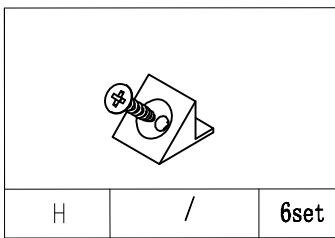
Do Not Use Power Tools

# 4

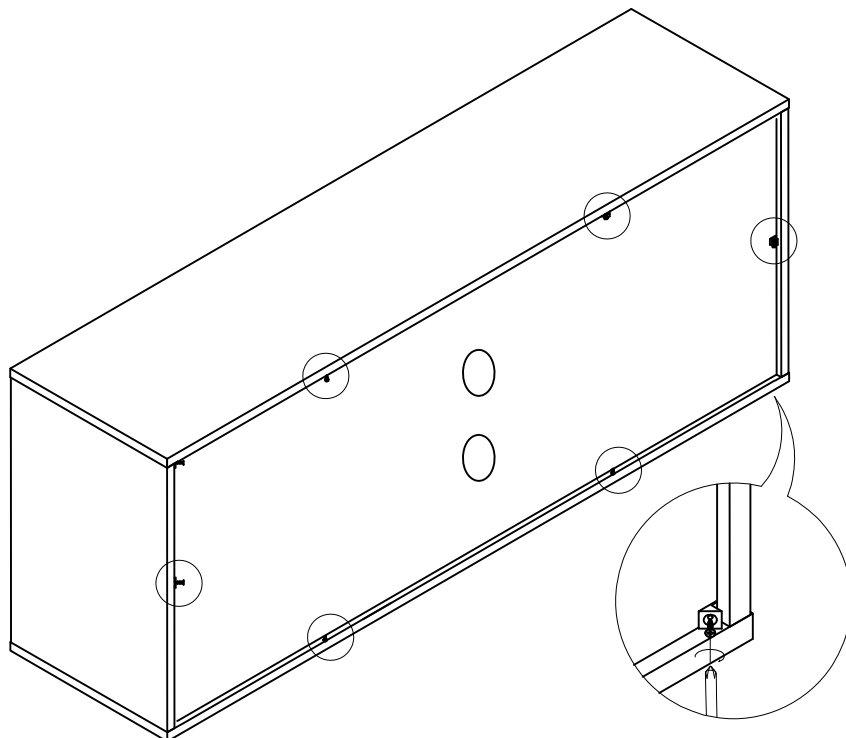
								
A	/	4set	B	φ18*10H20	2pcs	C	M4*22	2PCS



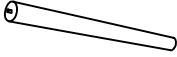
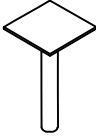



5

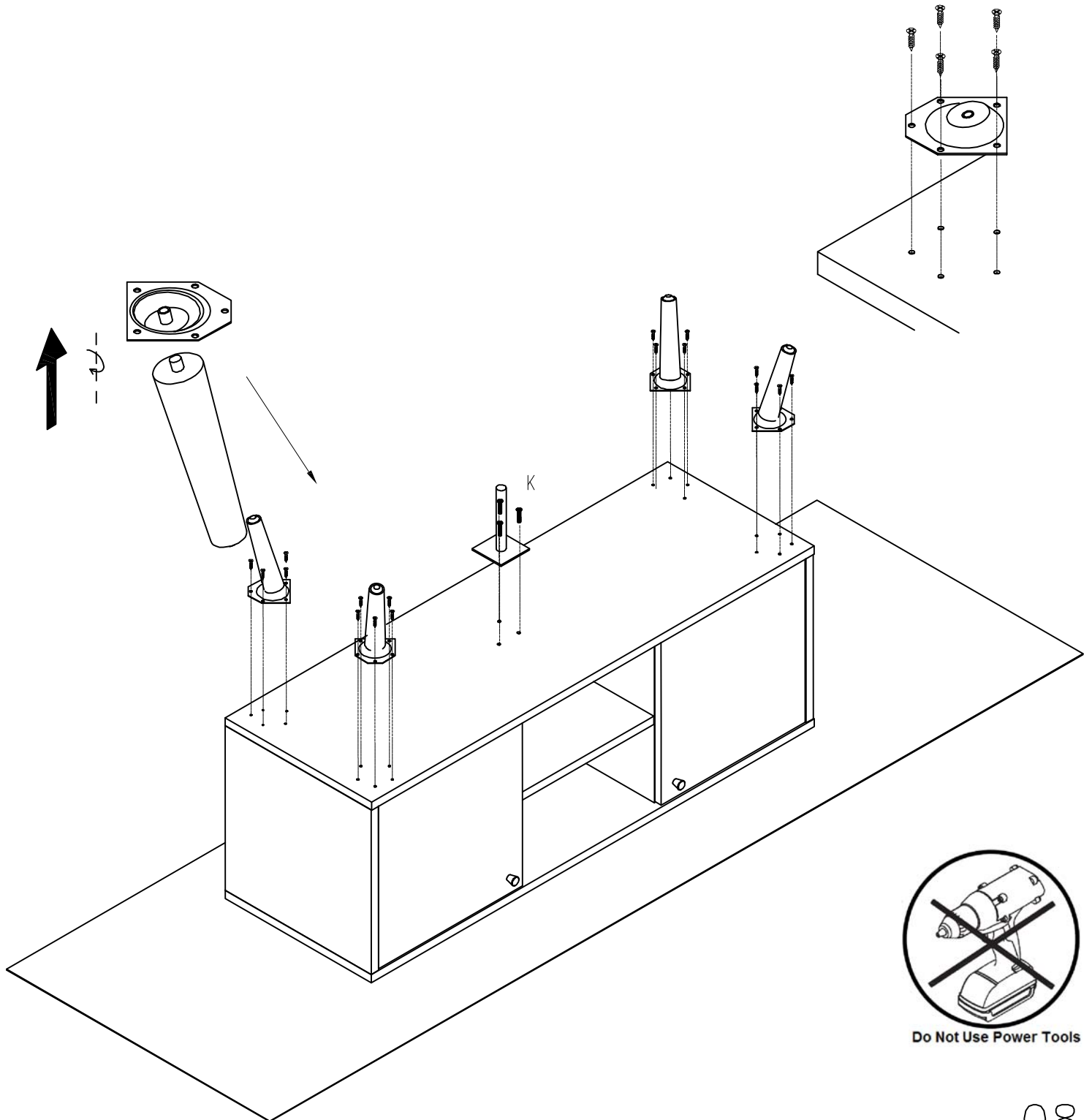


Do Not Use Power Tools



# 6

								
I	φ35H153	4pcs	J	W80D80H150	1pcs	K	W67D48H12	4pcs
								
L	M4*16	20pcs	M	M6*16	3pcs			



Do Not Use Power Tools



## ADDITIONAL SAFETY INFORMATION

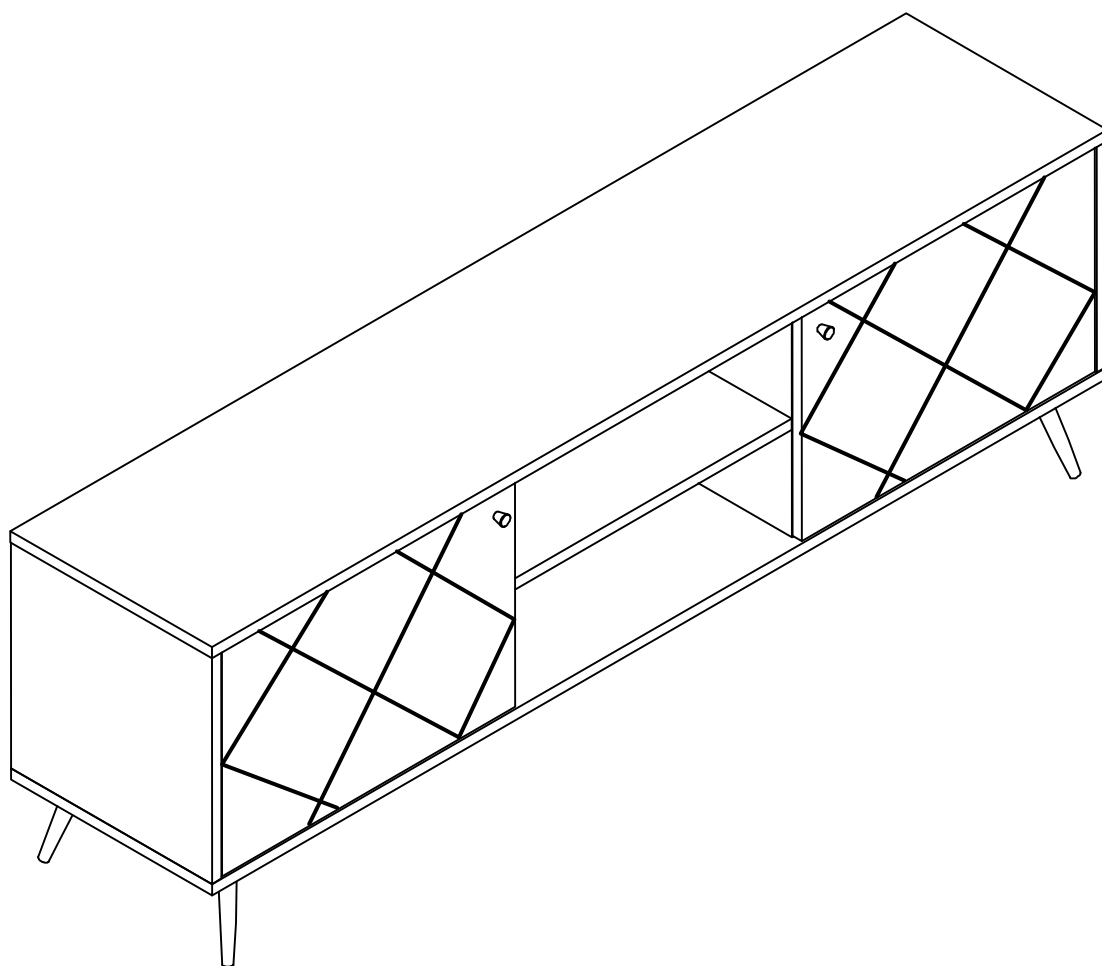
In the interest of safety, particularly where small children are concerned, we advise securing your furniture to the wall to prevent the product from tipping forwards when loaded.

The screw included in this fitting pack is only intended for fixing the safety strap to the piece of furniture.

Use fixing devices suitable for the walls in your home, (NOT INCLUDED). If you are unsure what type of fixings to use, please seek further advice from your local DIY store.

!!! 特殊说明：如果有防倾倒件，在步骤之前加上上面一段话。  
If Necessary.

7



Your TV Unit is now ready for use .

Finish

# General Care

Wipe clean with a slightly damp soft cloth.

Avoid the use of all household cleaners and abrasives.

When moving your furniture, carefully lift into place.

Never drag or push the pieces across the floor as this will cause damage to the joints and could result in failure to the product that will invalidate the warranty.

# Recommendations

Periodical re-tightening of fixings.

# Warning

This unit is heavy. Please use an assistant when lifting.

# Notes

We've tried to make this piece of furniture as easy to assemble as possible. In the unlikely event that you have problems putting it together or have damaged or missing pieces, please contact our customer services on 01623 727374