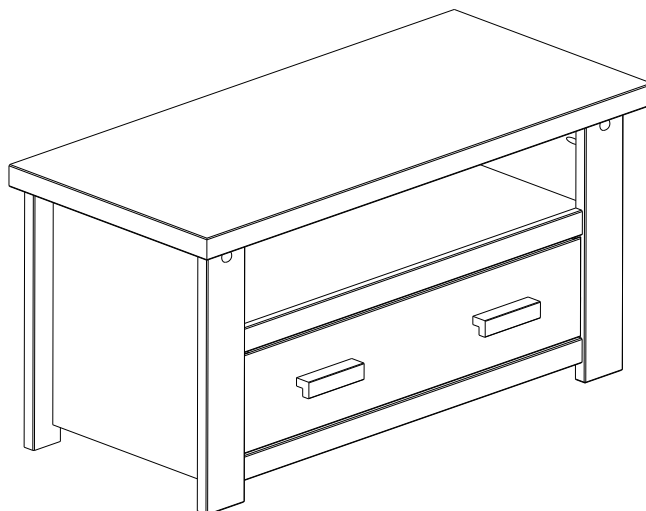
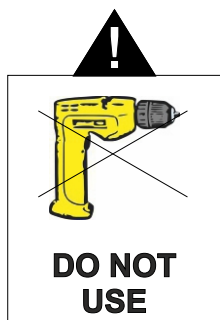


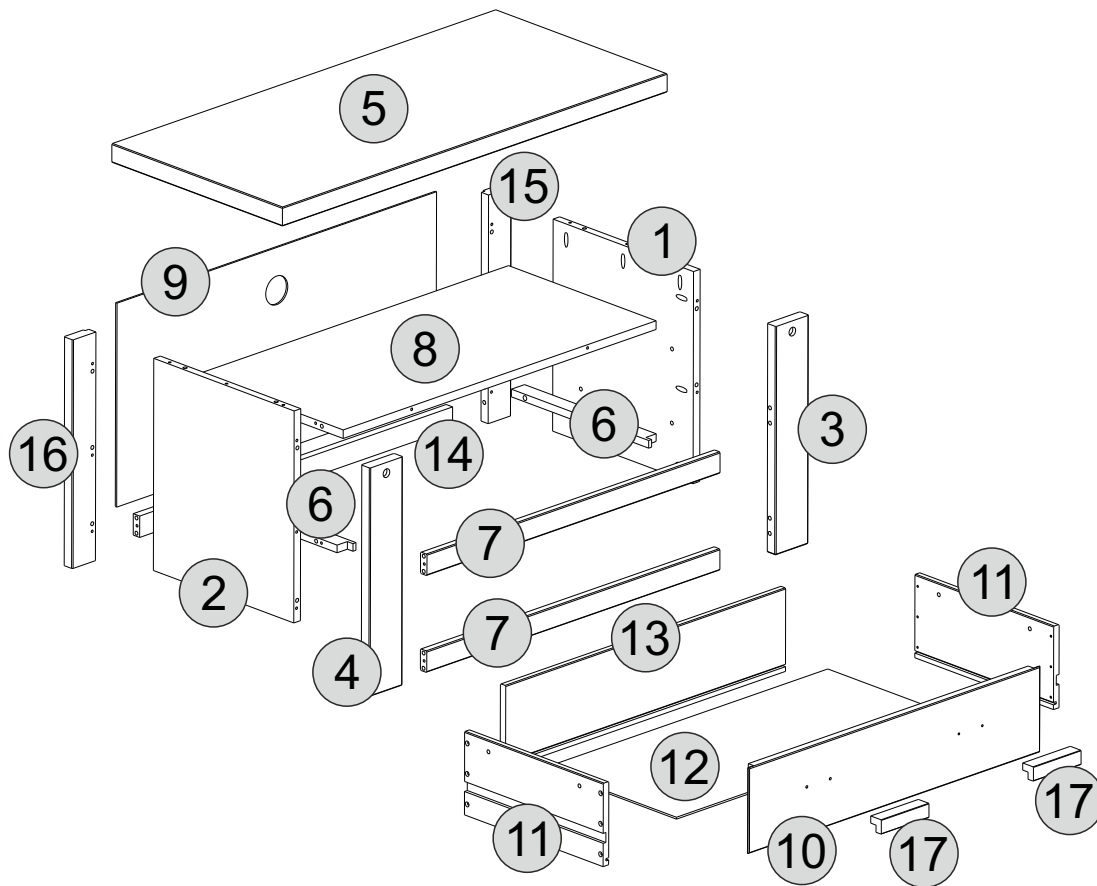
TORTILLA FLAT SCREEN TV UNIT ASSEMBLY INSTRUCTIONS



IMPORTANT PLEASE READ BEFORE YOU CONTINUE FURTHER **FOR DOMESTIC USE ONLY** **CARE AND MAINTENANCE**

After unpacking this product please keep the original packaging in case it needs to be returned for any reason.

- Please ensure all fittings and parts are present before commencing with assembly.
- We recommend that you lay a blanket or sheet on the floor to avoid damage to both your floor and the product.
- We strongly recommend that you keep children away from your work area.
- Assemble this product as close to its final position as possible.
- Never drag or push products as this could cause damage to the joints making it inferior.
- Do not place this product next to a radiator or in direct sunlight.
- Wood is a natural product and may expand if subjected to damp and may shrink or crack if subjected to heat. Therefore it is recommended that room temperature is maintained, with no sudden temperature fluctuations.
- Make sure any spillage is wiped off immediately.
- Do not place hot or chilled items directly on to the surface, use a place mat or marking will occur.
- For general cleaning use a duster, and do not use detergents of any kind. However, the surface will need to be retreated from time to time. This can be done by using block wax (unperfumed) and rubbing it over the whole item.
- From time to time it may be necessary to tighten fittings, regular inspections should be carried out.




* Use of power tools to assemble this product will invalidate any claim and damage this product making it unsafe !!!
* Please assemble on a clean soft surface to avoid damage.

* Please check contents and read the instructions before commencing assembly.
* Assemble this product following the enclosed instructions carefully.
* Please take care to avoid damaging panels during assembly.

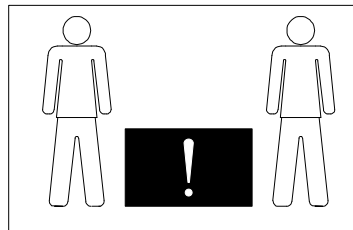
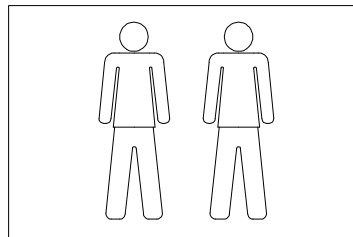
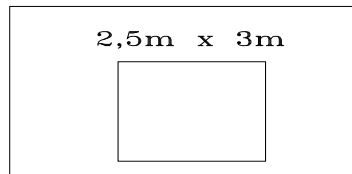
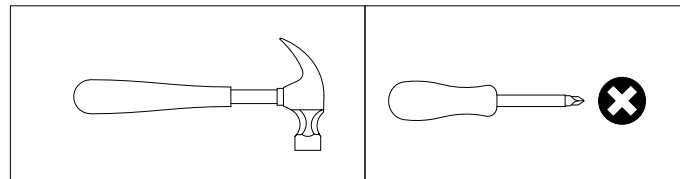
PARTS LIST

Part Number	Part Code	Part Description	Quantity	Carton
1	S300-305-022-MY1-01	Right Side Panel	1	1/1
2	S300-305-022-MY1-02	Left Side Panel	1	1/1
3	S300-305-022-MY1-03	Right Front Upright	1	1/1
4	S300-305-022-MY1-04	Left Front Upright	1	1/1
5	S300-305-022-MY1-05	Top Panel	1	1/1
6	S300-305-022-MY1-06	Drawer Runner	2	1/1
7	S300-305-022-MY1-07	Front Crossbeam	2	1/1
8	S300-305-022-MY1-08	Fixed Shelf	1	1/1
9	S300-305-022-MY1-09	Back Panel	1	1/1
10	S300-305-022-MY1-10	Drawer Front	1	1/1
11	S300-305-022-MY1-11	Drawer Side	2	1/1
12	S300-305-022-MY1-12	Drawer Bottom	1	1/1
13	S300-305-022-MY1-13	Drawer Back	1	1/1
14	S300-305-022-MY1-14	Back Crossbeam	1	1/1
15	S300-305-022-MY1-15	Right Back Upright	1	1/1
16	S300-305-022-MY1-16	Left Back Upright	1	1/1
17	S300-305-022-MY1-17	Handle	2	1/1

FITTINGS

A	 Ø3,5 x 35mm	42	D	 Ø8 x 30mm	38
B	 Ø3,0 x 30mm	12	E		02
C	 10x10mm	22	F	 3,5 x 16mm	06

TOOLS REQUIRED



STEP 1

PARTS REQUIRED

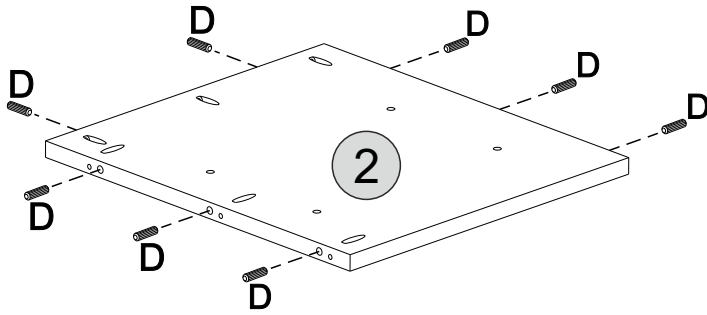
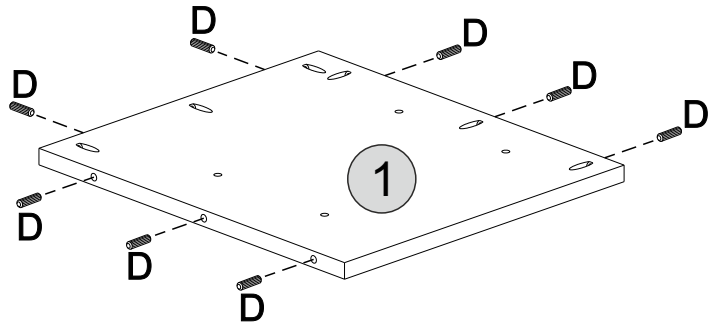
1 - RIGHT SIDE PANEL x1

2 - LEFT SIDE PANEL x1

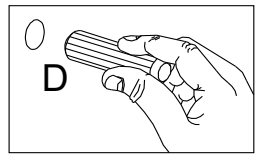
HARDWARE REQUIRED

D  16
Ø 8 x 30mm

TOOLS REQUIRED



Please assemble on a clean soft surface to avoid damage.



STEP 2

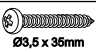
PARTS REQUIRED

1 - RIGHT SIDE PANEL x1

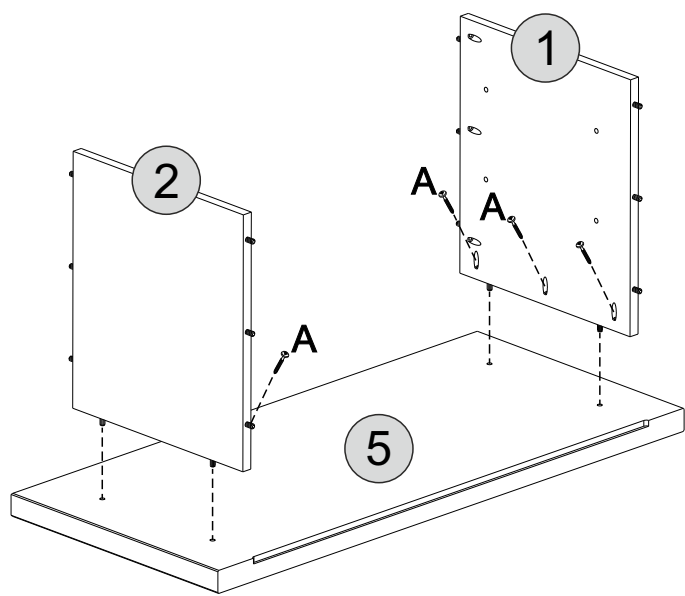
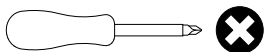
2 - LEFT SIDE PANEL x1

5 - TOP PANEL x1

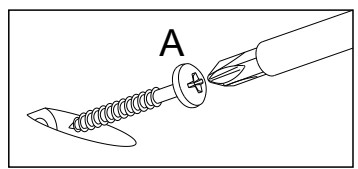
HARDWARE REQUIRED

A  06
Ø 3,5 x 35mm

TOOLS REQUIRED



Please assemble on a clean soft surface to avoid damage.

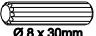


STEP 3

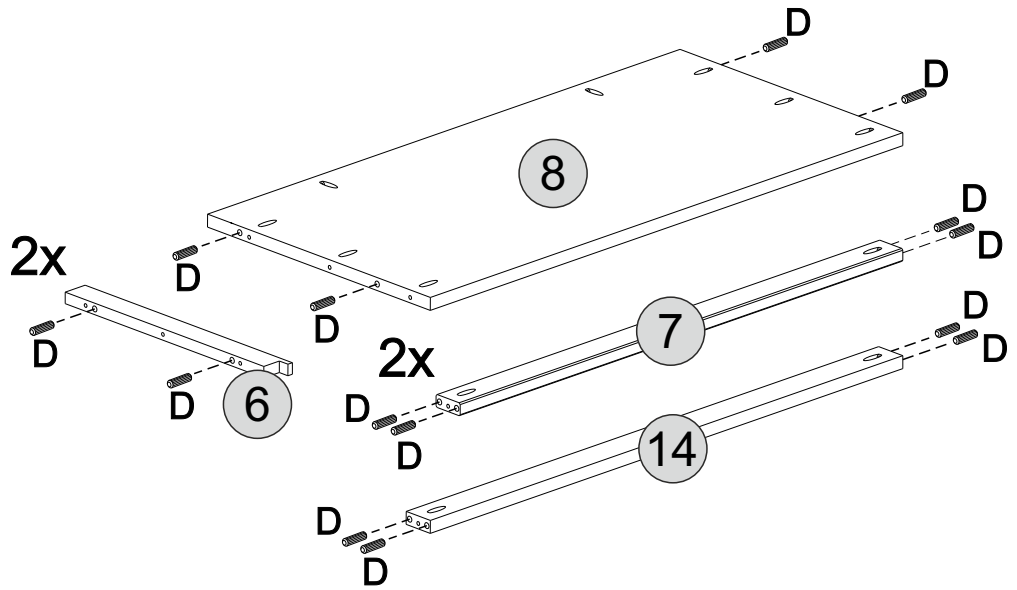
PARTS REQUIRED

6 - DRAWER RUNNER	x2
7 - FRONT CROSSBEAM	x2
8 - FIXED SHELF	x1
14 - BACK CROSSBEAM	x1

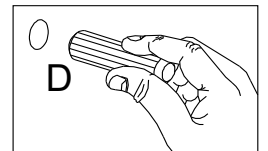
HARDWARE REQUIRED

D		20
---	---	----

TOOLS REQUIRED



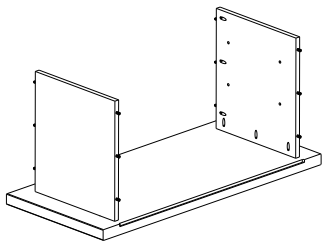
!
Please assemble on a clean soft surface to avoid damage.



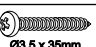
STEP 4

PARTS REQUIRED

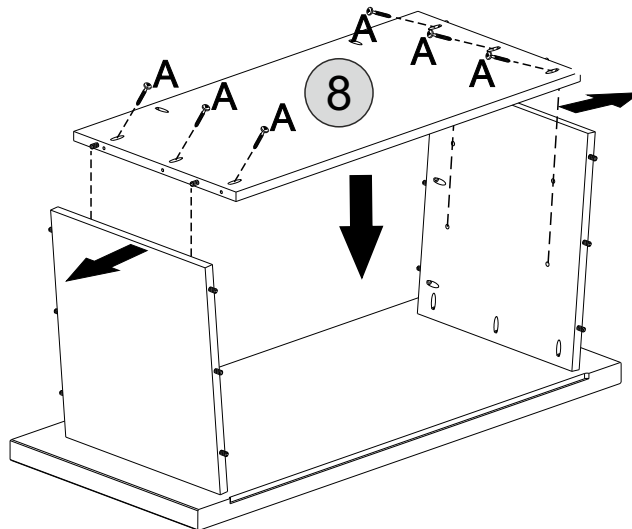
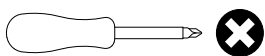
8 - FIXED SHELF	x1
-----------------	----



HARDWARE REQUIRED

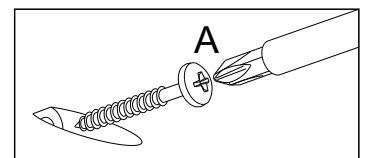
A		06
---	---	----

TOOLS REQUIRED



Carefully part side panels to attach part 8.

!
Please assemble on a clean soft surface to avoid damage.




STEP 5

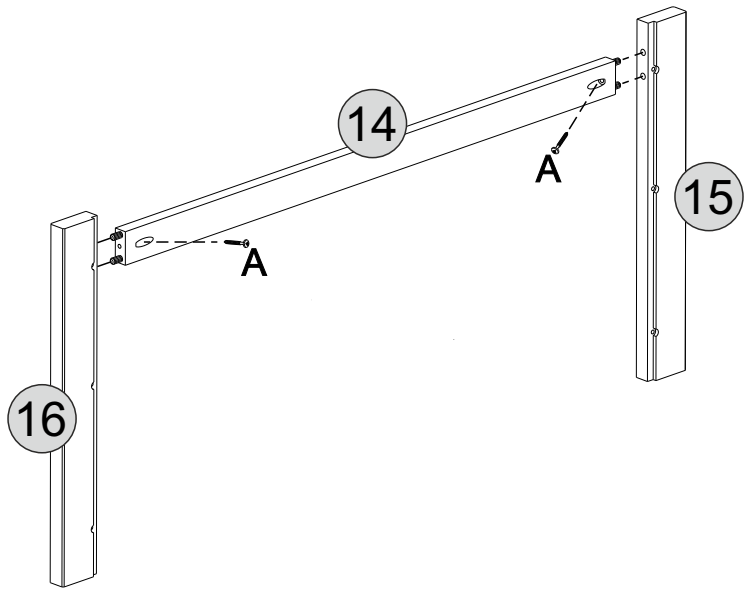
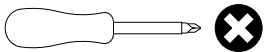
PARTS REQUIRED

- 14 - BACK CROSSBEAM x1
- 15 - RIGHT BACK UPRIGHT x1
- 16 - LEFT BACK UPRIGHT x1

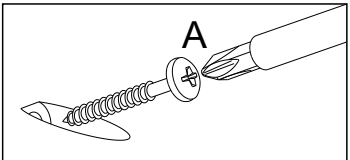
HARDWARE REQUIRED

- A  02
Ø3,5 x 35mm

TOOLS REQUIRED

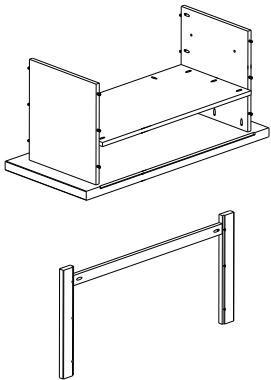



Please assemble on a clean soft surface to avoid damage.




STEP 6

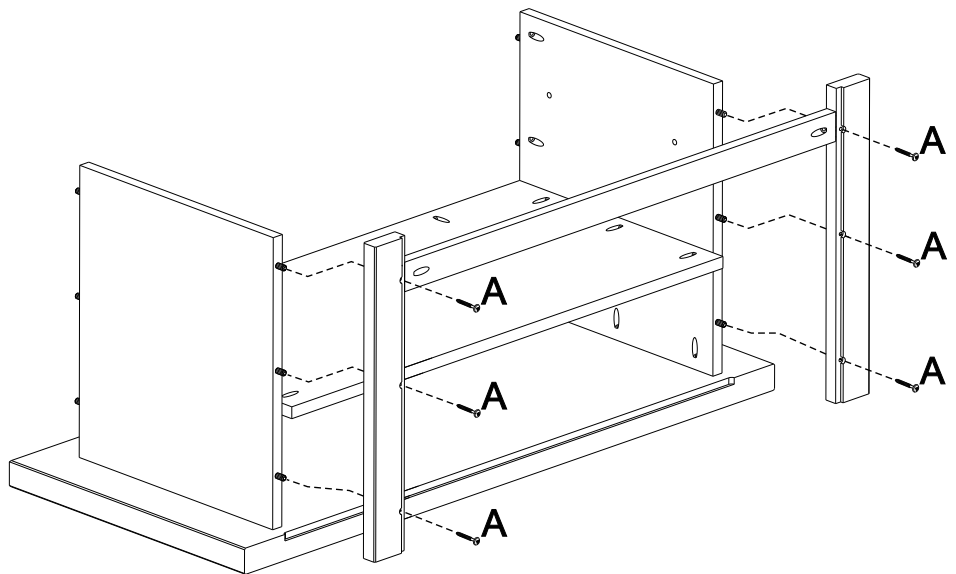
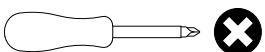
PARTS REQUIRED



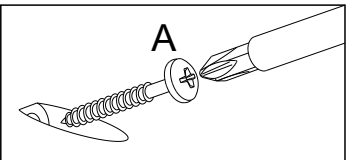
HARDWARE REQUIRED

- A  06
Ø3,5 x 35mm

TOOLS REQUIRED



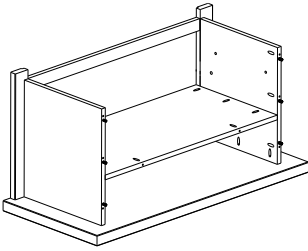

Please assemble on a clean soft surface to avoid damage.



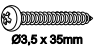
STEP 7

PARTS REQUIRED

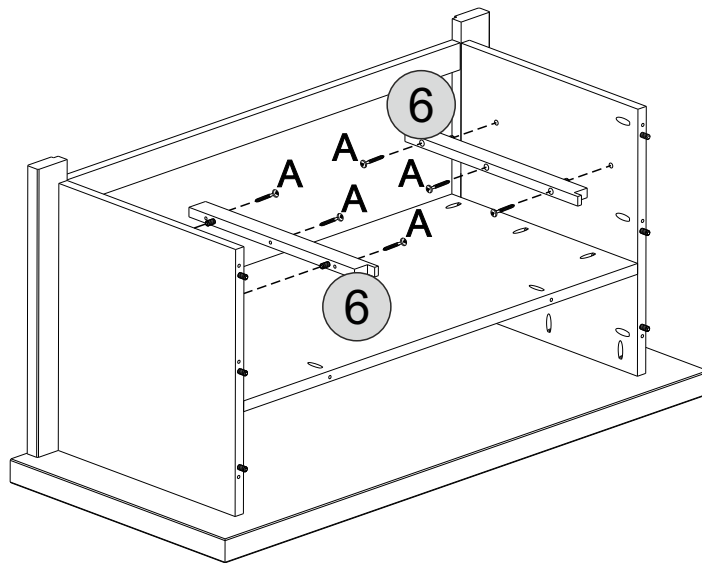
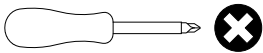
6 - DRAWER RUNNER x2



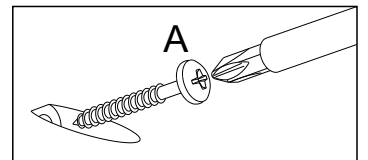
HARDWARE REQUIRED

A  06
Ø3,5 x 35mm

TOOLS REQUIRED



Please assemble on a clean soft surface to avoid damage.



STEP 8

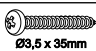
PARTS REQUIRED

3 - RIGHT FRONT UPRIGHT x1

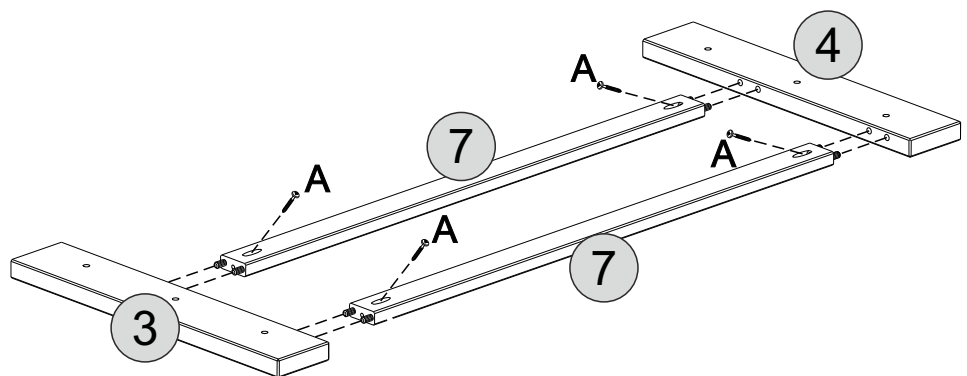
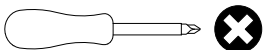
4 - LEFT FRONT UPRIGHT x1

7 - FRONT CROSSBEAM x2

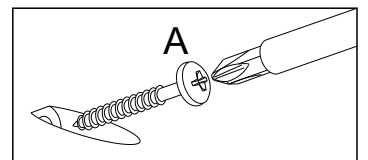
HARDWARE REQUIRED

A  04
Ø3,5 x 35mm

TOOLS REQUIRED

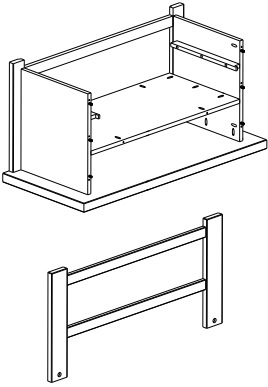


Please assemble on a clean soft surface to avoid damage.

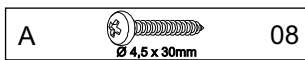


STEP 9

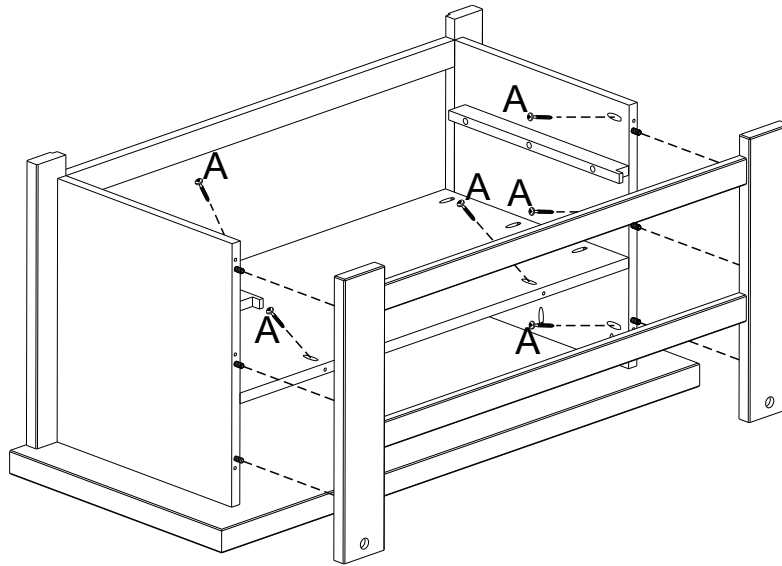
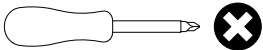
PARTS REQUIRED



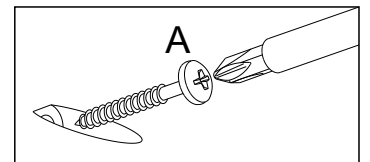
HARDWARE REQUIRED



TOOLS REQUIRED



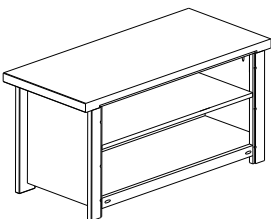
!
Please assemble on a clean soft surface to avoid damage.



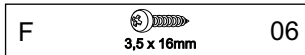
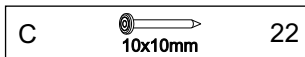
STEP 10

PARTS REQUIRED

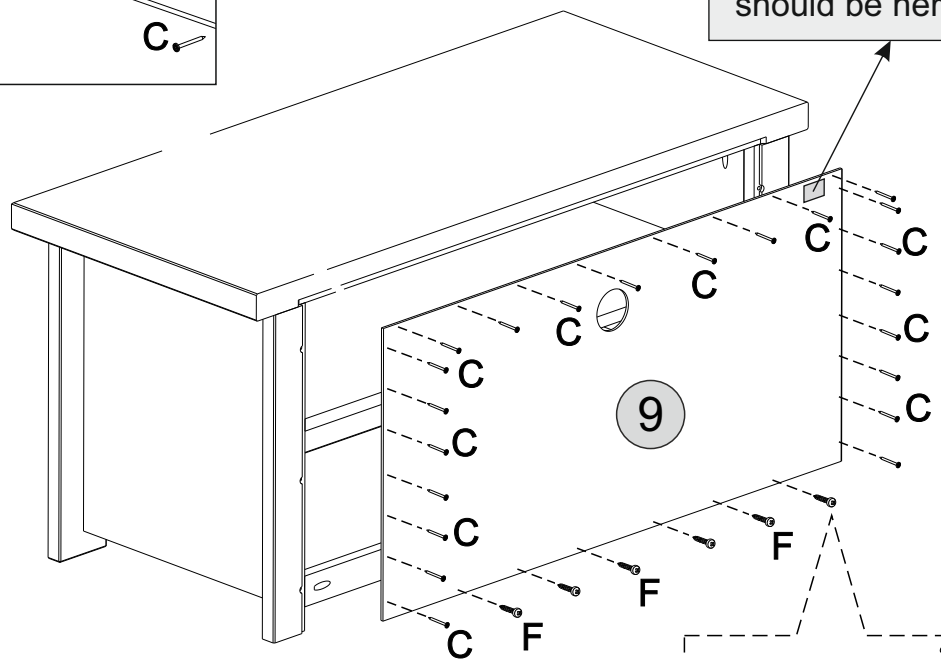
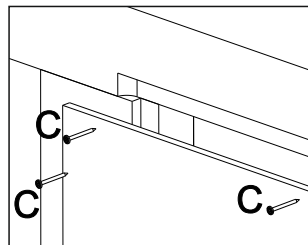
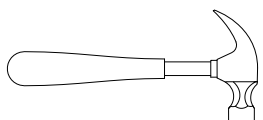
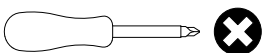
9 - BACK PANEL x1



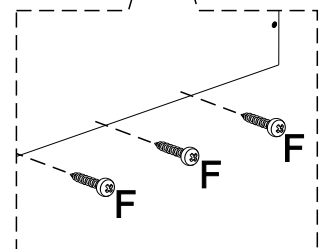
HARDWARE REQUIRED



TOOLS REQUIRED



!
Please assemble on a clean soft surface to avoid damage.

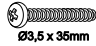
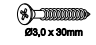


STEP 11

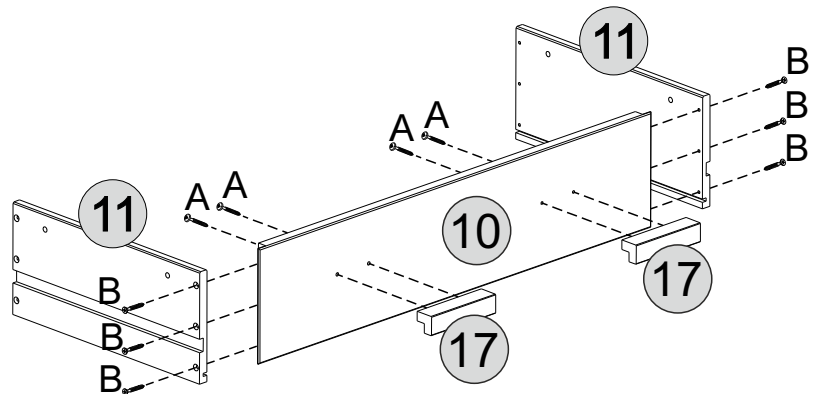
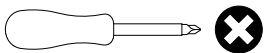
PARTS REQUIRED

10 - DRAWER FRONT	x1
11 - DRAWER SIDE	x2
17 - HANDLE	x2

HARDWARE REQUIRED

A		04
B		06

TOOLS REQUIRED

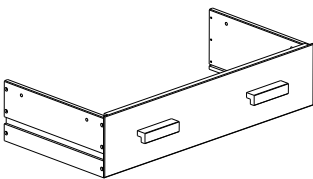



Please assemble on
a clean soft surface
to avoid damage.

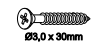
STEP 12

PARTS REQUIRED

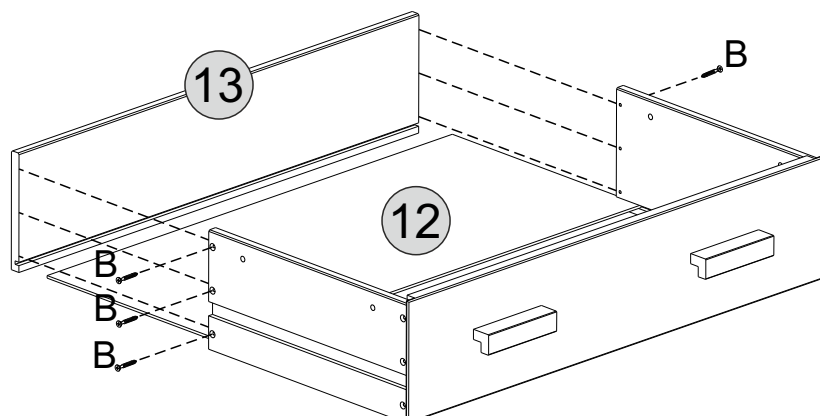
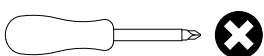
12 - DRAWER BOTTOM	x1
13 - DRAWER BACK	x1



HARDWARE REQUIRED

B		06
---	---	----

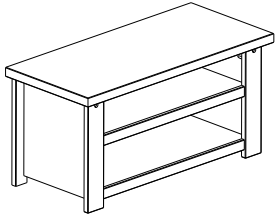
TOOLS REQUIRED



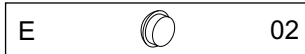
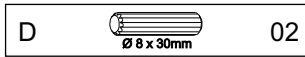

Please assemble on
a clean soft surface
to avoid damage.

STEP 13

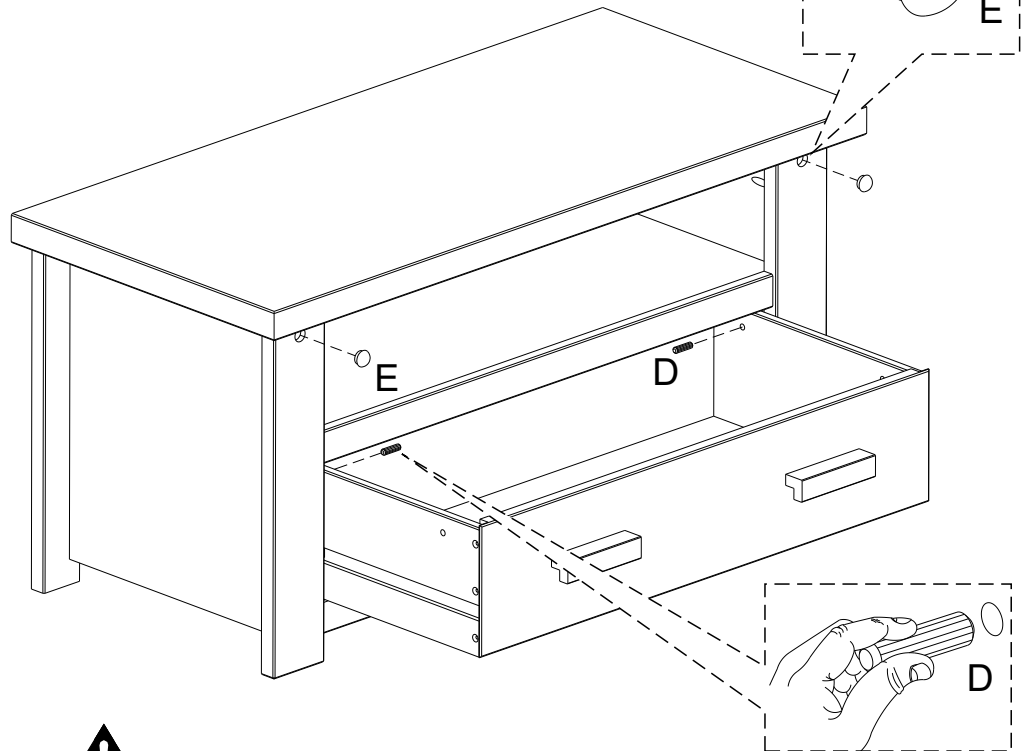
PARTS REQUIRED



HARDWARE REQUIRED



TOOLS REQUIRED



Please assemble on
a clean soft surface
to avoid damage.

STEP 14

PARTS REQUIRED

HARDWARE REQUIRED

TOOLS REQUIRED

