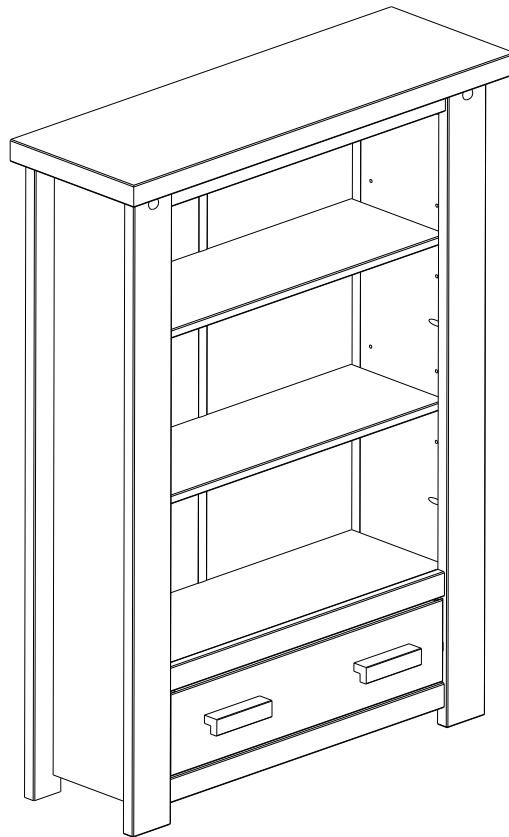


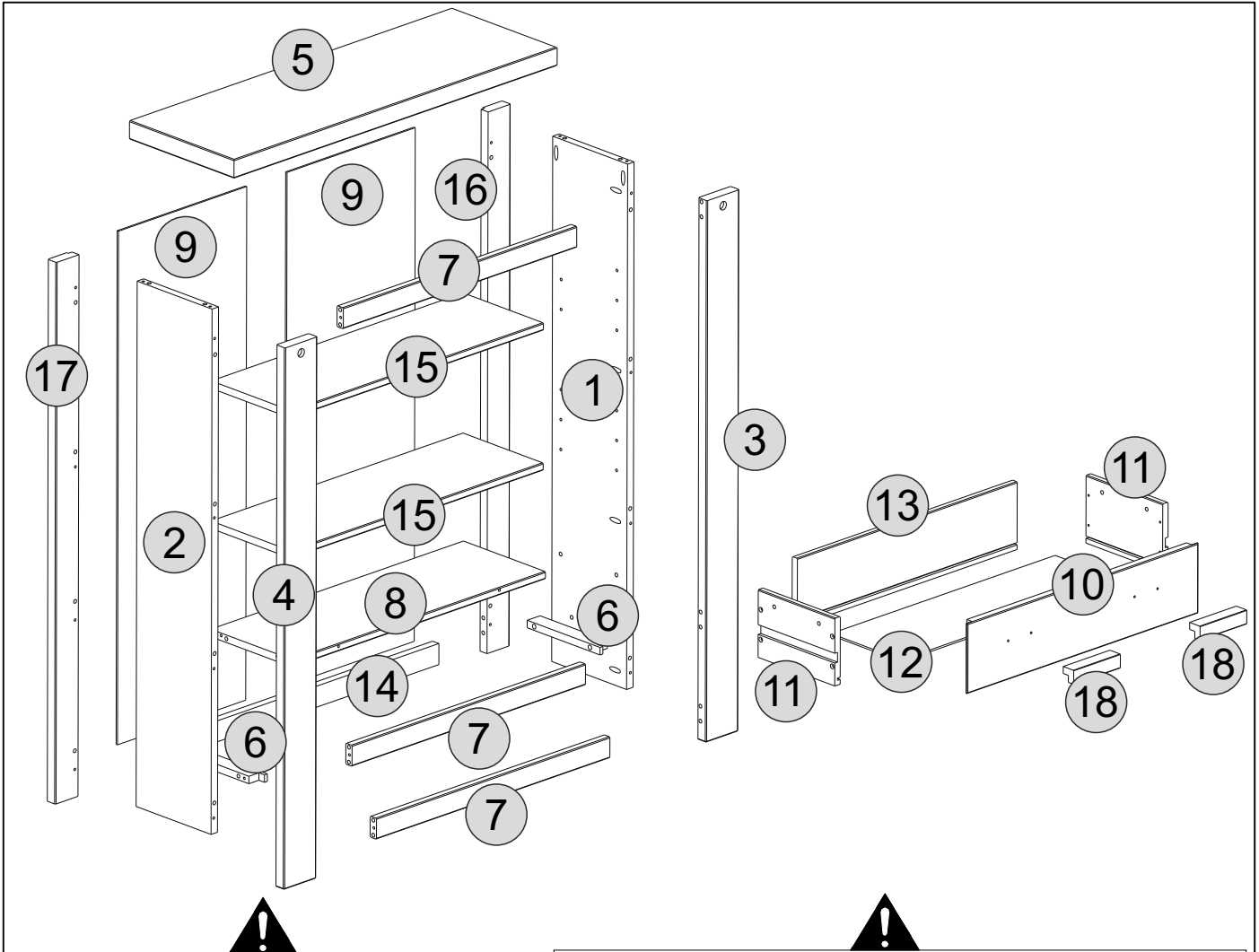
TORTILLA 1 DRAWER BOOKCASE ASSEMBLY INSTRUCTIONS



IMPORTANT PLEASE READ BEFORE YOU CONTINUE FURTHER **FOR DOMESTIC USE ONLY** **CARE AND MAINTENANCE**

After unpacking this product please keep the original packaging in case it needs to be returned for any reason.

- Please ensure all fittings and parts are present before commencing with assembly.
- We recommend that you lay a blanket or sheet on the floor to avoid damage to both your floor and the product.
- We strongly recommend that you keep children away from your work area.
- Assemble this product as close to its final position as possible.
- Never drag or push products as this could cause damage to the joints making it inferior.
- Do not place this product next to a radiator or in direct sunlight.
- Wood is a natural product and may expand if subjected to damp and may shrink or crack if subjected to heat. Therefore it is recommended that room temperature is maintained, with no sudden temperature fluctuations.
- Make sure any spillage is wiped off immediately.
- Do not place hot or chilled items directly on to the surface, use a place mat or marking will occur.
- For general cleaning use a duster, and do not use detergents of any kind. However, the surface will need to be retreated from time to time. This can be done by using block wax (unperfumed) and rubbing it over the whole item.
- From time to time it may be necessary to tighten fittings, regular inspections should be carried out.




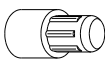

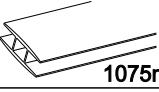
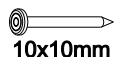

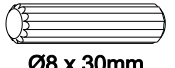
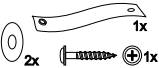
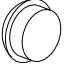
* Use of power tools to assemble this product will invalidate any claim and damage this product making it unsafe !!!
* Please assemble on a clean soft surface to avoid damage.

* Please check contents and read the instructions before commencing assembly.
* Assemble this product following the enclosed instructions carefully.
* Please take care to avoid damaging panels during assembly.

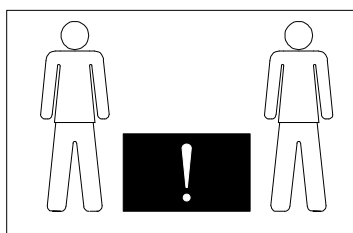
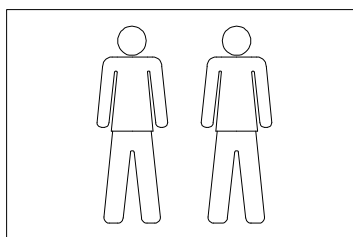
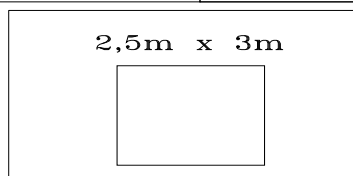
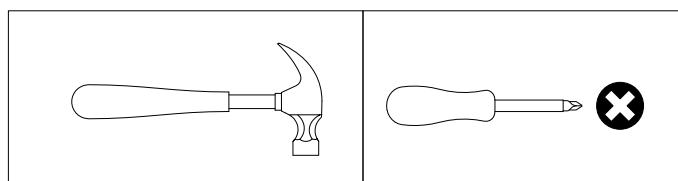
PARTS LIST

Part Number	Part Code	Part Description	Quantity	Carton
1	S300-306-024-MY1-01	Right Side Panel	1	1/1
2	S300-306-024-MY1-02	Left Side Panel	1	1/1
3	S300-306-024-MY1-03	Right Front Upright	1	1/1
4	S300-306-024-MY1-04	Left Front Upright	1	1/1
5	S300-306-024-MY1-05	Top Panel	1	1/1
6	S300-306-024-MY1-06	Drawer Runner	2	1/1
7	S300-306-024-MY1-07	Front Crossbeam	3	1/1
8	S300-306-024-MY1-08	Fixed Shelf	1	1/1
9	S300-306-024-MY1-09	Back Panel	2	1/1
10	S300-306-024-MY1-10	Drawer Front	1	1/1
11	S300-306-024-MY1-11	Drawer Side	2	1/1
12	S300-306-024-MY1-12	Drawer Bottom	1	1/1
13	S300-306-024-MY1-13	Drawer Back	1	1/1
14	S300-306-024-MY1-14	Back Crossbeam	1	1/1
15	S300-306-024-MY1-15	Adjustable Shelf	2	1/1
16	S300-306-024-MY1-16	Right Back Upright	1	1/1
17	S300-306-024-MY1-17	Left Back Upright	1	1/1
18	S300-306-024-MY1-18	Handle	2	1/1

FITTINGS

A	 Ø3,5 x 35mm	42	F		08
B	 Ø3,0 x 30mm	08	G	 1075mm	01
C	 10x10mm	28	H	 3,5 x 16mm	06
D	 Ø8 x 30mm	46	I	 2x 1x	01
E		02			

TOOLS REQUIRED



STEP 1

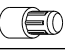
PARTS REQUIRED

1 - RIGHT SIDE PANEL x1

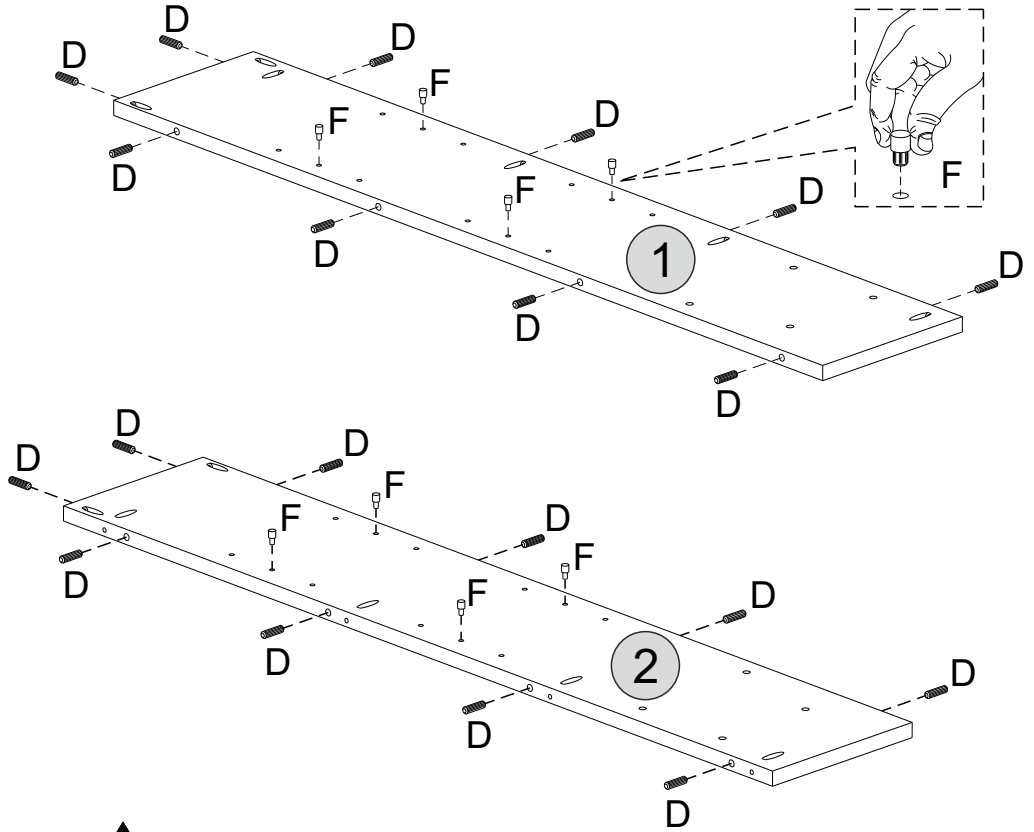
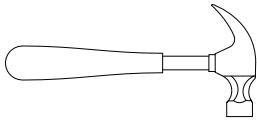
2 - LEFT SIDE PANEL x1

HARDWARE REQUIRED

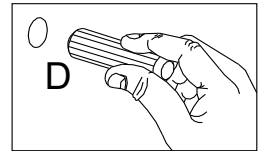
D  20
Ø 8 x 30mm

F  08

TOOLS REQUIRED



 Please assemble on a clean soft surface to avoid damage.



STEP 2

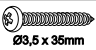
PARTS REQUIRED

1 - RIGHT SIDE PANEL x1

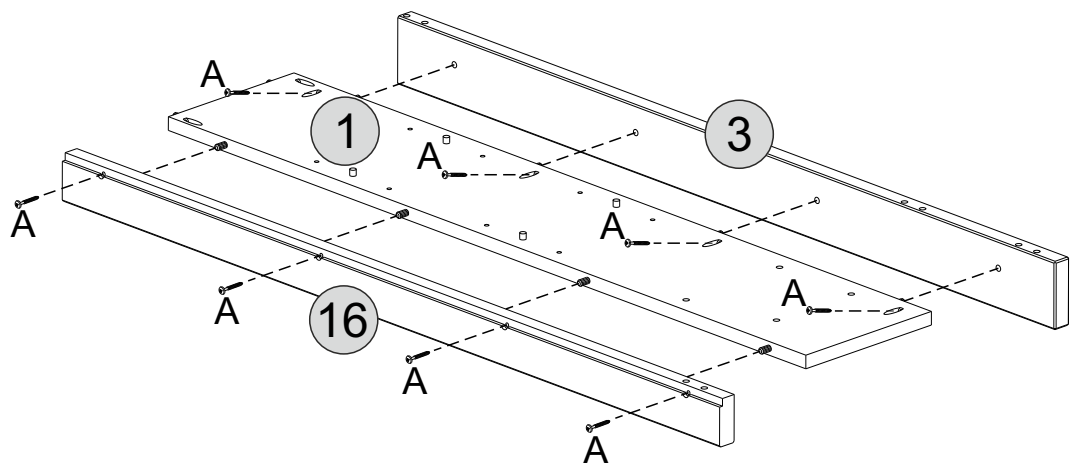
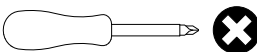
3 - RIGHT FRONT UPRIGHT x1

16 - RIGHT BACK UPRIGHT x1

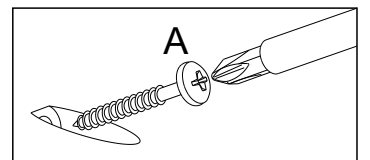
HARDWARE REQUIRED

A  08
Ø 3,5 x 35mm

TOOLS REQUIRED



 Please assemble on a clean soft surface to avoid damage.



STEP 3

PARTS REQUIRED

2 - LEFT SIDE PANEL x1

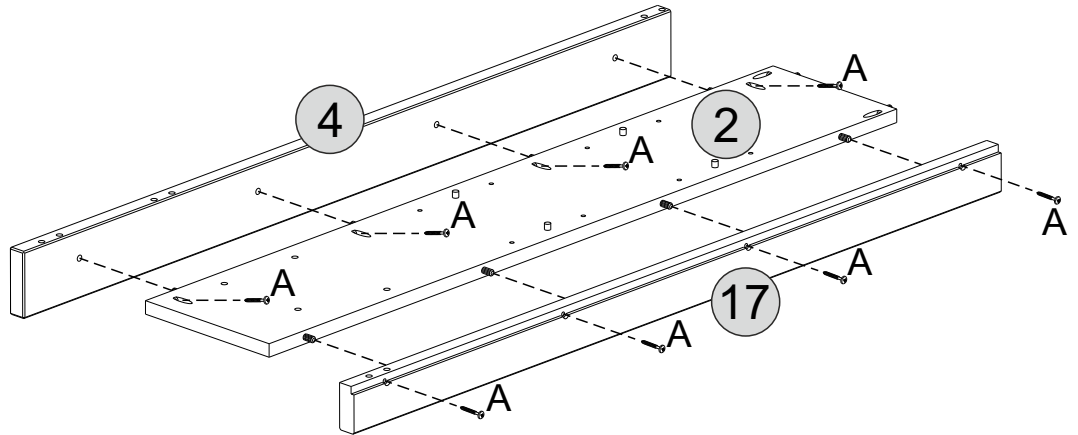
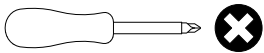
4 - LEFT FRONT UPRIGHT x1

17 - LEFT BACK UPRIGHT x1

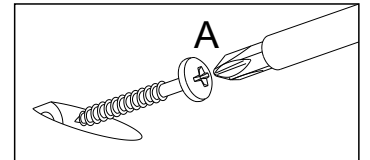
HARDWARE REQUIRED

A  08
Ø3,5 x 35mm

TOOLS REQUIRED



Please assemble on a clean soft surface to avoid damage.



STEP 4

PARTS REQUIRED


6 - DRAWER RUNNER x2

7 - FRONT CROSSBEAM x3

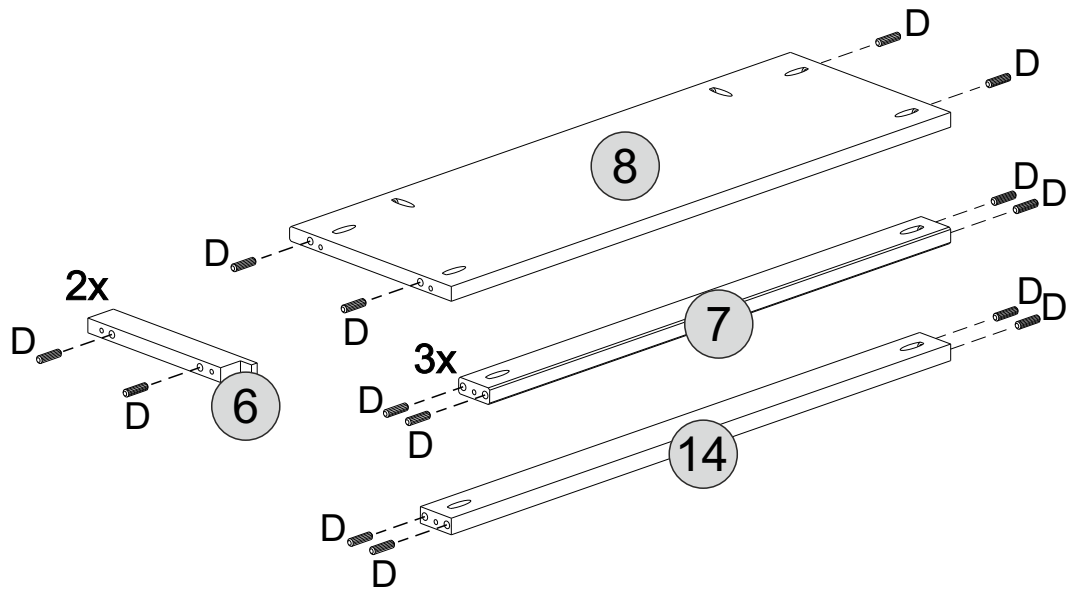
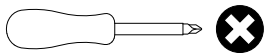
8 - FIXED SHELF x1

14 - BACK CROSSBEAM x1

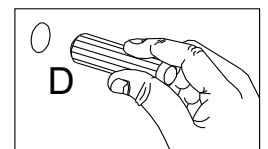
HARDWARE REQUIRED

D  24
Ø8 x 30mm

TOOLS REQUIRED



Please assemble on a clean soft surface to avoid damage.

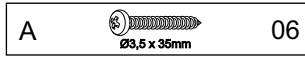


STEP 5

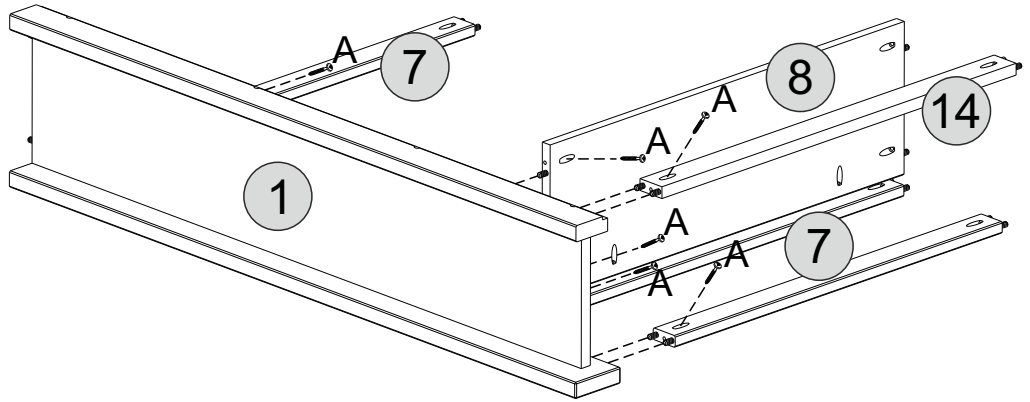
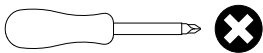
PARTS REQUIRED

- 1 - RIGHT SIDE PANEL x1
- 7 - FRONT CROSSBEAM x3
- 8 - FIXED SHELF x1
- 14 - BACK CROSSBEAM x1

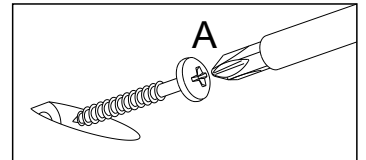
HARDWARE REQUIRED



TOOLS REQUIRED



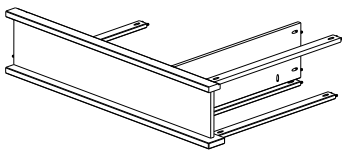
Please assemble on a clean soft surface to avoid damage.



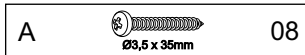
STEP 6

PARTS REQUIRED

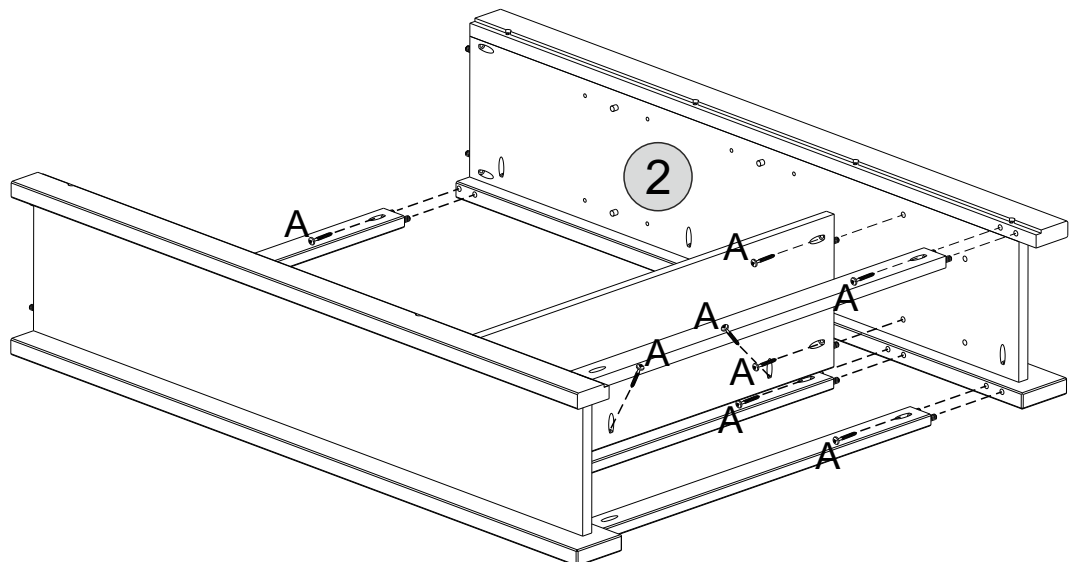
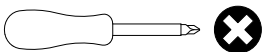
- 2 - LEFT SIDE PANEL x1



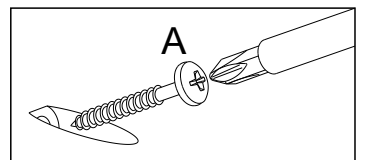
HARDWARE REQUIRED



TOOLS REQUIRED



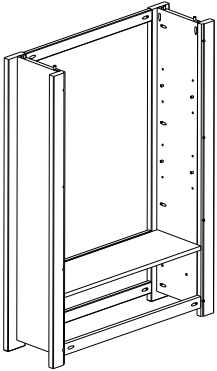
Please assemble on a clean soft surface to avoid damage.




STEP 7

PARTS REQUIRED

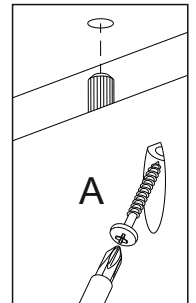
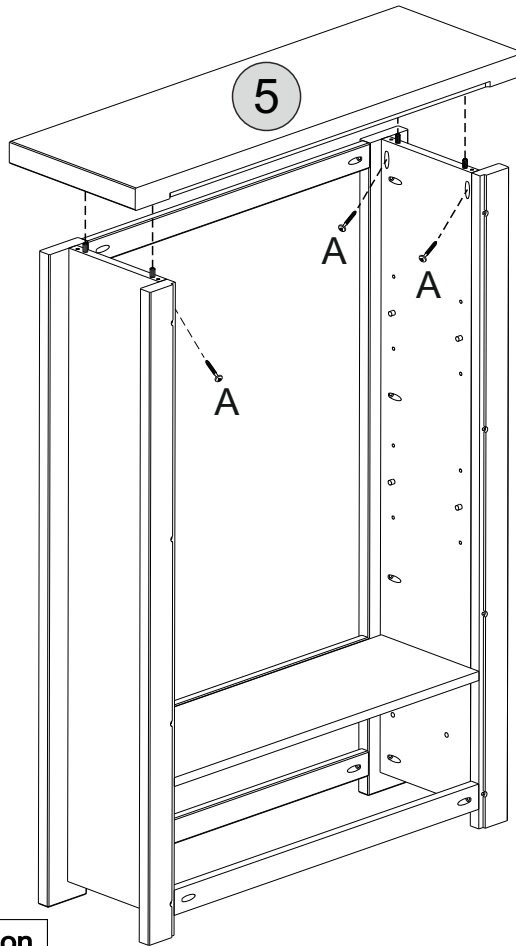
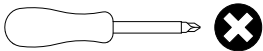
5 - TOP PANEL x1




HARDWARE REQUIRED

A  04
Ø3,5 x 35mm

TOOLS REQUIRED

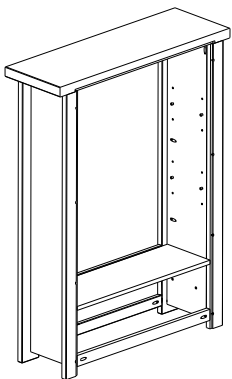


 Please assemble on a clean soft surface to avoid damage.


STEP 8

PARTS REQUIRED

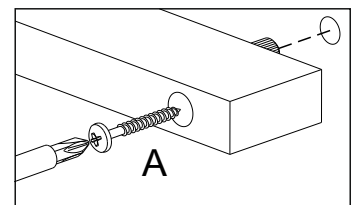
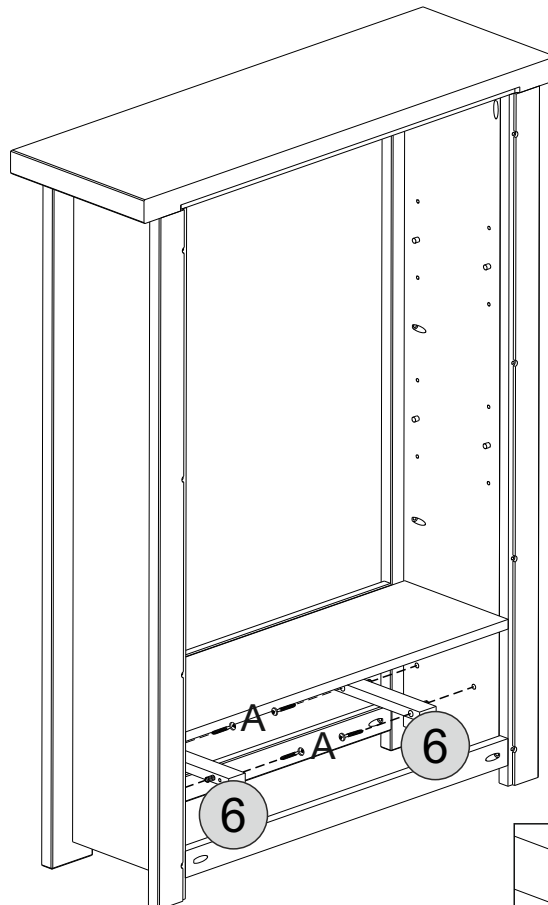
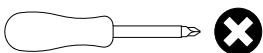
6 - DRAWER RUNNER x2



HARDWARE REQUIRED

A  04
Ø3,5 x 35mm

TOOLS REQUIRED

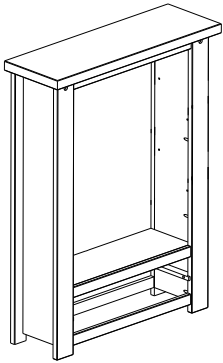


 Please assemble on a clean soft surface to avoid damage.


STEP 9


PARTS REQUIRED


9 - BACK PANEL x2



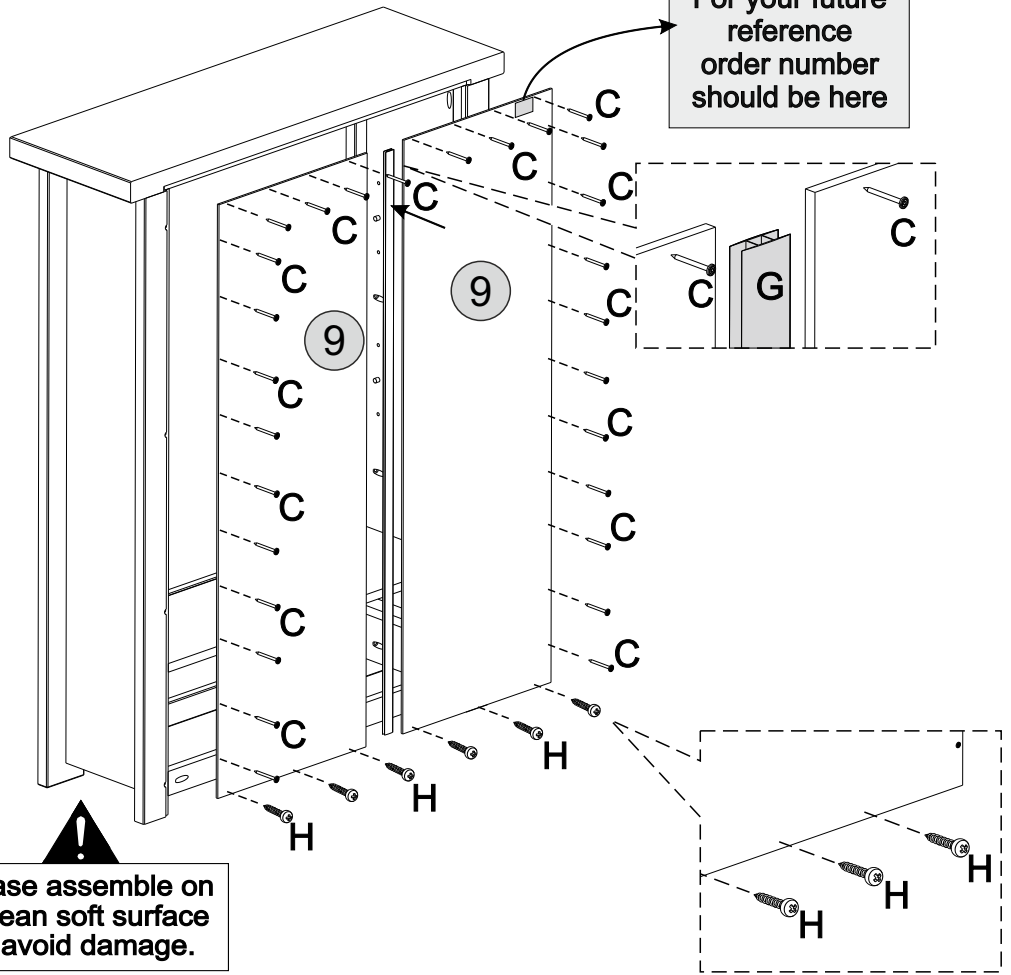
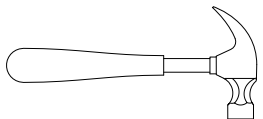
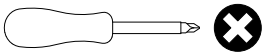
HARDWARE REQUIRED

C  10x10mm 28

G  1075mm 01

H  3,5 x 16mm 06

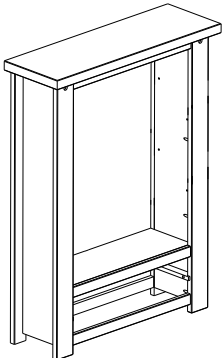
TOOLS REQUIRED



STEP 10

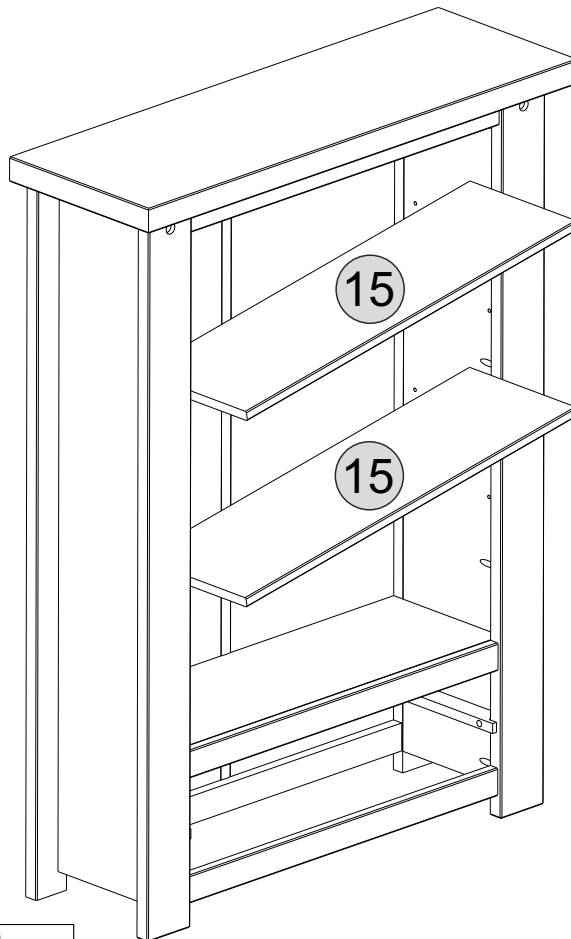
PARTS REQUIRED

15 - ADJUSTABLE SHELF x1



HARDWARE REQUIRED

TOOLS REQUIRED



STEP 11

PARTS REQUIRED


10 - DRAWER FRONT	x1
-------------------	----

11 - DRAWER SIDE	x2
------------------	----

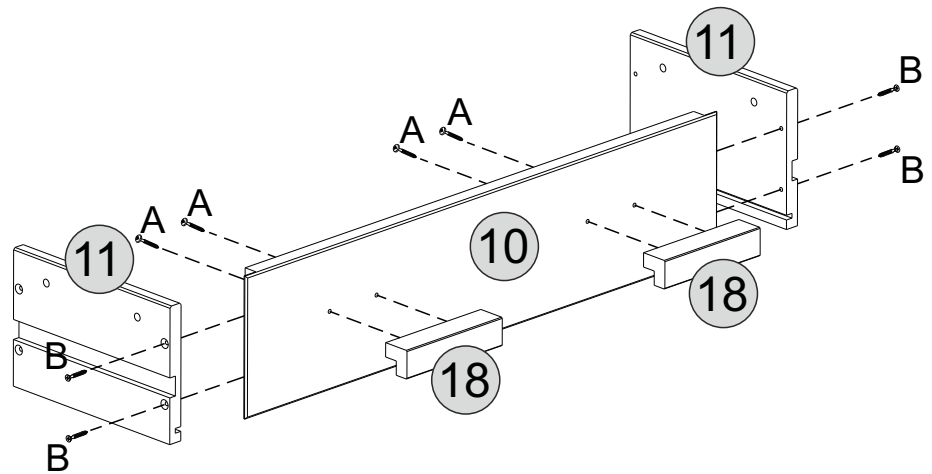
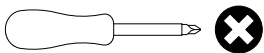
18 - HANDLE	x2
-------------	----

HARDWARE REQUIRED

A		04
---	---	----

B		04
---	---	----

TOOLS REQUIRED



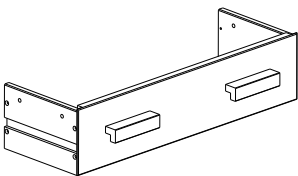

Please assemble on
a clean soft surface
to avoid damage.

STEP 12

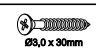
PARTS REQUIRED

12 - DRAWER BOTTOM	x1
--------------------	----

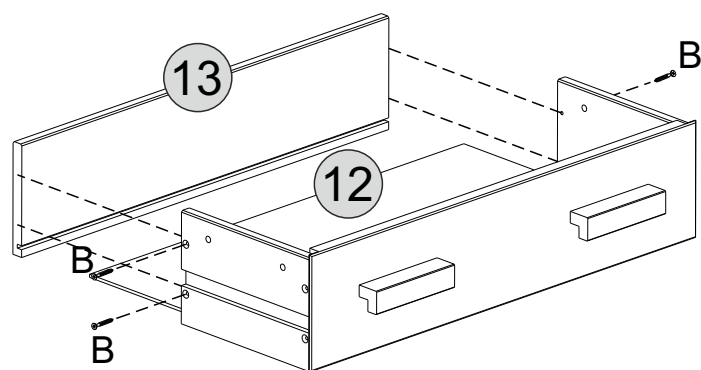
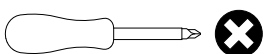
13 - DRAWER BACK	x1
------------------	----



HARDWARE REQUIRED

B		04
---	---	----

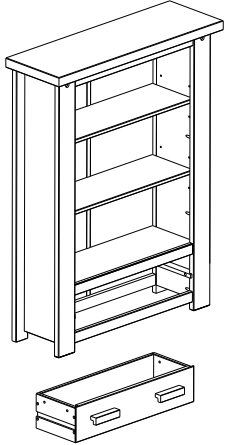
TOOLS REQUIRED



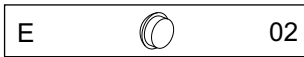

Please assemble on
a clean soft surface
to avoid damage.

STEP 13

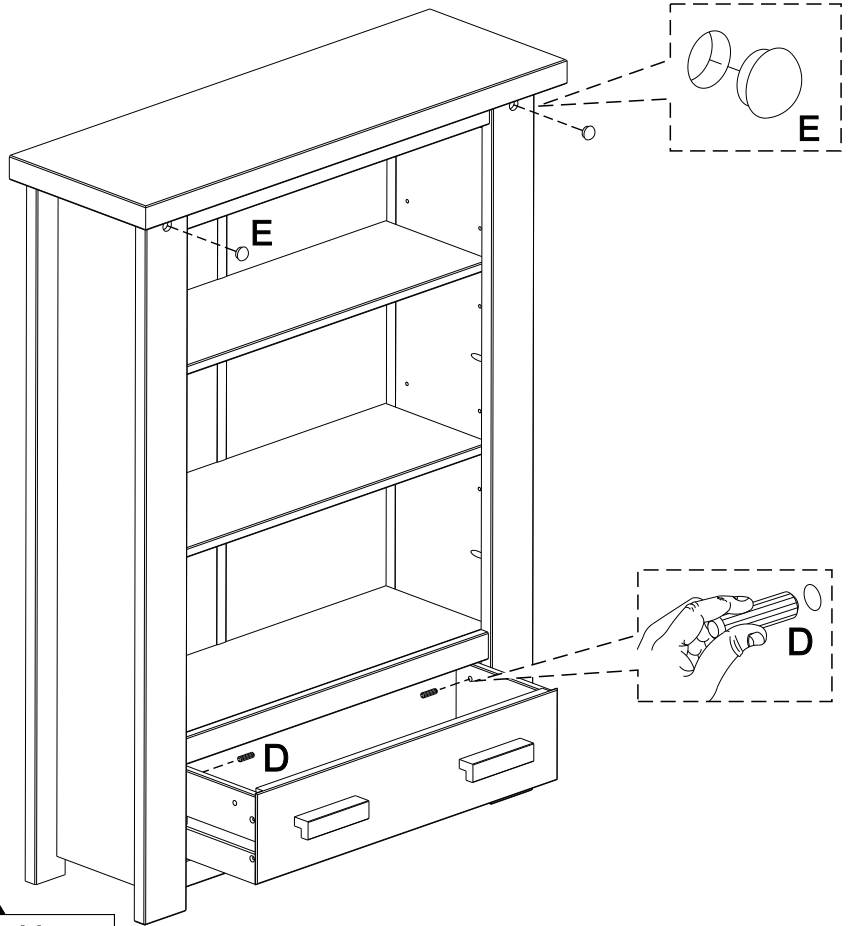
PARTS REQUIRED



HARDWARE REQUIRED



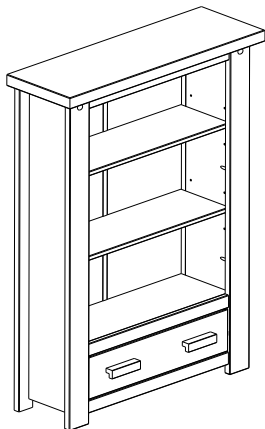
TOOLS REQUIRED



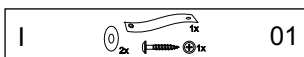
!
Please assemble on a clean soft surface to avoid damage.

STEP 14

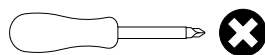
PARTS REQUIRED



HARDWARE REQUIRED



TOOLS REQUIRED



WARNING

Serious or fatal injuries can occur from furniture tipping over. To prevent the furniture from tipping over we recommend that it is permanently fixed to the wall.

Wall fixings are not supplied with this product as different wall materials require different types of fixing devices. Please make sure you use fixings suitable for the walls in your home.

