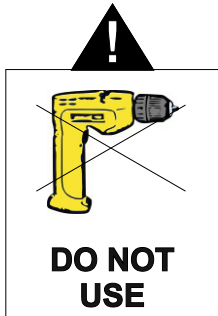


ATHENS ROUND DINING TABLE ASSEMBLY INSTRUCTIONS



IMPORTANT FOR DOMESTIC USE ONLY PLEASE READ BEFORE YOU CONTINUE FURTHER

THE PRODUCT YOU HAVE PURCHASED WILL GIVE YOU MANY YEARS OF SERVICE IF YOU FOLLOW THE GUIDELINES FOR ITS SAFE ASSEMBLY AND PERIODIC MAINTENANCE AND CLEANING .

ASSEMBLE ON A SOFT CLEAN SURFACE

DO NOT USE ANY TOOLS OTHER THAN THOSE SHOWN.

ANY SPANNERS OR ALLEN KEYS REQUIRED ARE INCLUDED WITH THE FITTINGS KIT.

DO NOT FOR ANY REASON USE A POWER TOOL TO ASSEMBLE THIS PRODUCT. ITS USE WILL INVALIDATE ANY CLAIM YOU MAY HAVE AND COULD MAKE THIS PRODUCT UNSAFE.

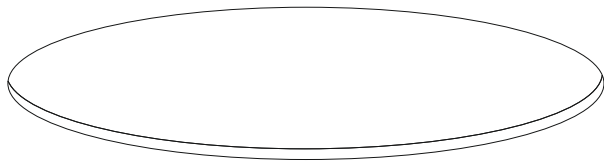
DEPENDING ON THE AMOUNT OF USE THIS PRODUCT RECEIVES IT MAY BE NECESSARY TO TIGHTEN UP THE FIXINGS FROM TIME TO TIME . THIS IS COMPLETELY NORMAL FOR ANY FLAT PACK FURNITURE.

DO NOT OVERTIGHTEN FIXINGS.

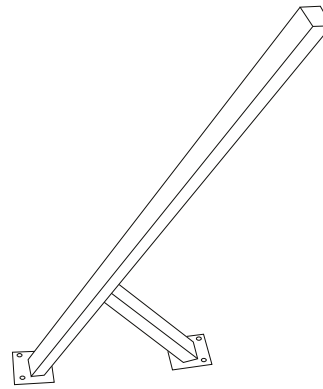
FOR CLEANING, YOU MAY USE A DAMP CLOTH (NOT WET) DO NOT USE POLISH, DETERGENT OR CHEMICAL CLEANERS.

THIS PRODUCT MAY STAIN OR MARK IF ALLOWED TO COME INTO CONTACT WITH WET OR DAMP OBJECTS.

THE SURFACE OF THIS ITEM IS NOT HEAT RESISTANT. ALWAYS USE A PLACE MAT UNDER HOT OR COLD ITEMS TO PREVENT MARKING.



1



2

PARTS LIST

| Part Number | Part Code | Part Description | Quantity | Carton |
|--------------------|---------------------|-------------------------|-----------------|---------------|
| 1 | S400-403-053-SF1-01 | Table Top | 1 | 1/2 |
| 2 | S400-403-053-SF1-02 | Table Leg | 4 | 2/2 |

HARDWARE LIST

| REF | | HARDWARE NAME | QTY |
|------------|---|----------------------|------------|
| A |  | Bolt M8*16mm | 16 PCS |
| B |  | Metal Washer M8 | 16 PCS |
| C |  | Allen Key M5 | 1PC |
| D |  | Adjusting Foot | 4 PCS |

PLEASE CHECK THAT YOU HAVE ALL THE PARTS LISTED BEFORE YOU START ASSEMBLING. IF YOU DO FIND THAT SOMETHING IS MISSING, DO NOT CONTINUE ASSEMBLY. PLEASE CONTACT YOUR SUPPLIER IMMEDIATELY.

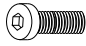
STEP 1

PARTS REQUIRED

1 - TABLE TOP x1

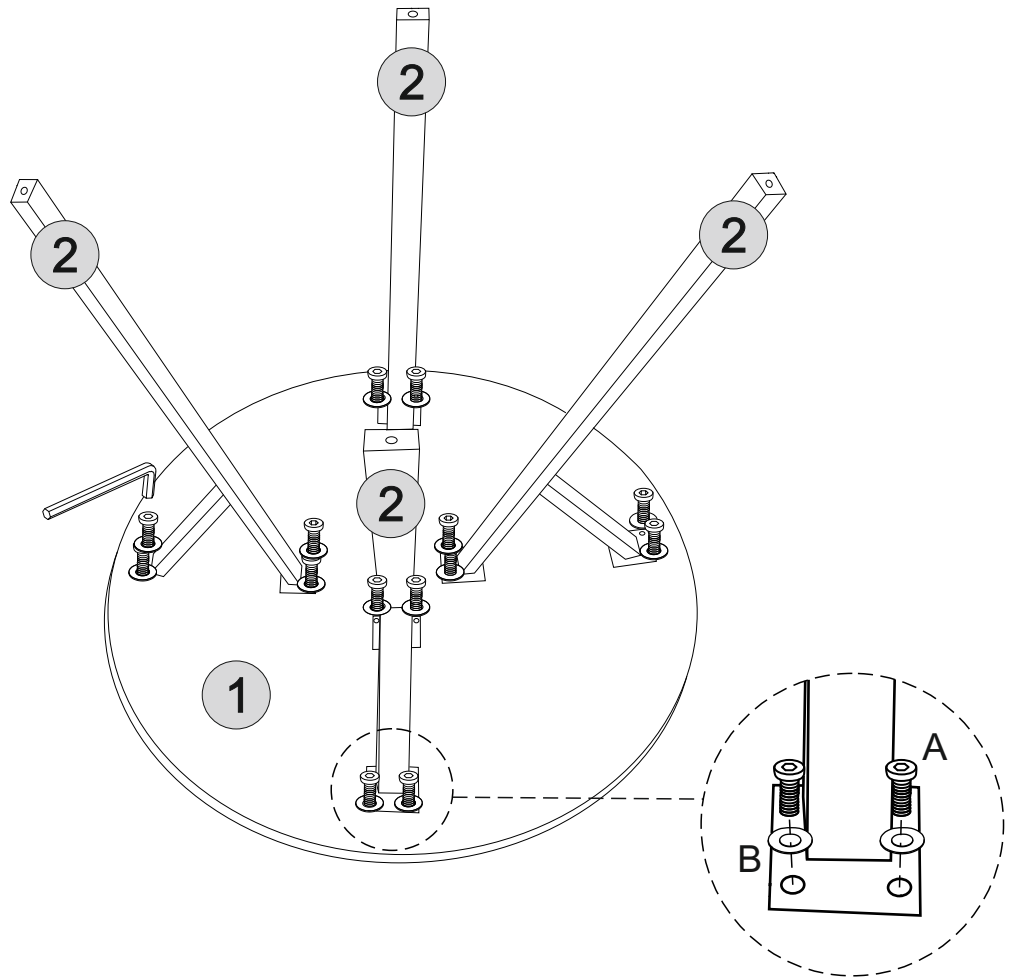
2 - TABLE LEG x4

HARDWARE REQUIRED

A  16

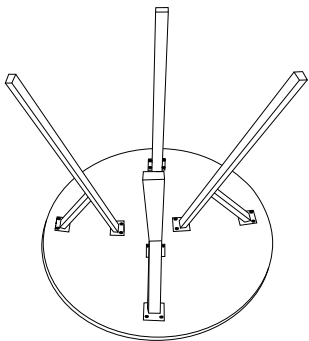
B  16

TOOLS REQUIRED




STEP 2

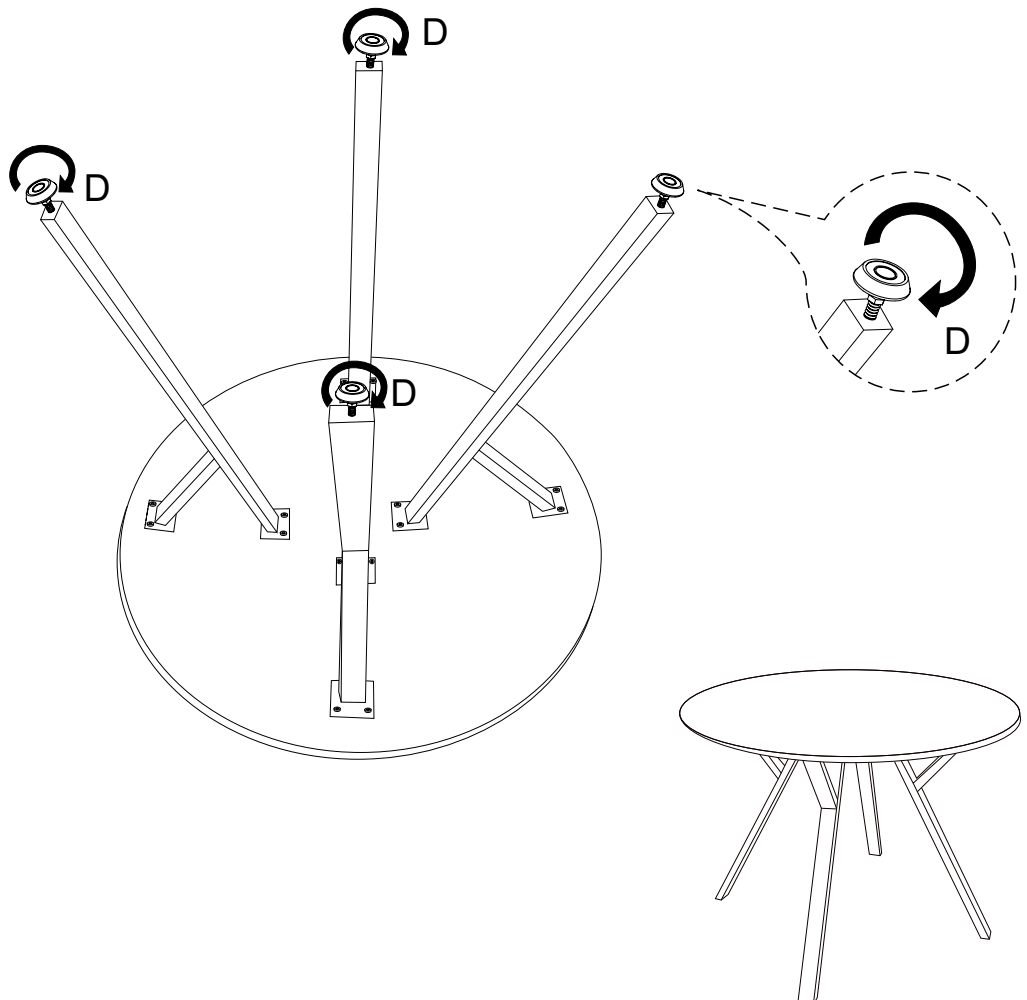
PARTS REQUIRED



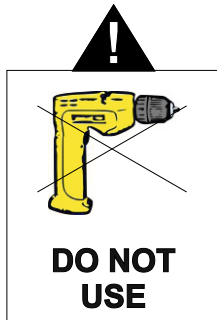
HARDWARE REQUIRED

D  04

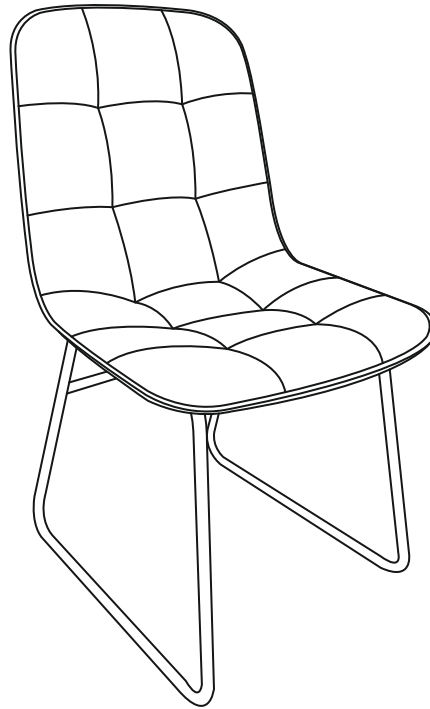
TOOLS REQUIRED



LUKAS DINING CHAIR ASSEMBLY INSTRUCTIONS



**MAX CHAIR
WEIGHT**



IMPORTANT FOR DOMESTIC USE ONLY PLEASE READ BEFORE YOU CONTINUE FURTHER

THE PRODUCT YOU HAVE PURCHASED WILL GIVE YOU MANY YEARS OF SERVICE IF YOU FOLLOW THE GUIDELINES FOR ITS SAFE ASSEMBLY AND PERIODIC MAINTENANCE AND CLEANING .

ASSEMBLE ON A SOFT CLEAN SURFACE

DO NOT USE ANY TOOLS OTHER THAN THOSE SHOWN.

ANY SPANNERS OR ALLEN KEYS REQUIRED ARE INCLUDED WITH THE FITTINGS KIT.

DO NOT FOR ANY REASON USE A POWER TOOL TO ASSEMBLE THIS PRODUCT. ITS USE WILL INVALIDATE ANY CLAIM YOU MAY HAVE AND COULD MAKE THIS PRODUCT UNSAFE.

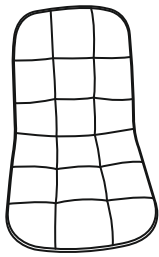
DEPENDING ON THE AMOUNT OF USE THIS PRODUCT RECEIVES IT MAY BE NECESSARY TO TIGHTEN UP THE FIXINGS FROM TIME TO TIME . THIS IS COMPLETELY NORMAL FOR ANY FLAT PACK FURNITURE.

DO NOT OVERTIGHTEN FIXINGS.

FOR CLEANING, YOU MAY USE A DAMP CLOTH (NOT WET) DO NOT USE POLISH, DETERGENT OR CHEMICAL CLEANERS.

THIS PRODUCT MAY STAIN OR MARK IF ALLOWED TO COME INTO CONTACT WITH WET OR DAMP OBJECTS.

THE SURFACE OF THIS ITEM IS NOT HEAT RESISTANT. ALWAYS USE A PLACE MAT UNDER HOT OR COLD ITEMS TO PREVENT MARKING.



1



2



3



4

PARTS LIST

| Part Number | Part Description | Quantity | Carton |
|-------------|-------------------|----------|--------|
| 1 | Seat Pad | 1 | 1/1 |
| 2 | Chair Leg (L) | 1 | 1/1 |
| 3 | Chair Leg (R) | 1 | 1/1 |
| 4 | Chair Support Bar | 1 | 1/1 |

HARDWARE LIST

| REF | | HARDWARE NAME | QTY |
|-----|---|---------------|------|
| A |  | Bolts M6x18mm | 8PCS |
| B |  | Bolts M6x13mm | 2PCS |
| C |  | Metal Washer | 8PCS |
| D |  | Metal Washer | 2PCS |
| E |  | Allen Key | 1PC |

PLEASE CHECK THAT YOU HAVE ALL THE PARTS LISTED BEFORE YOU START ASSEMBLING. IF YOU DO FIND THAT SOMETHING IS MISSING, DO NOT CONTINUE ASSEMBLY. PLEASE CONTACT YOUR SUPPLIER IMMEDIATELY.

STEP 1


PARTS REQUIRED

2 - CHAIR LEG (A) x1

3 - CHAIR LEG (B) x1

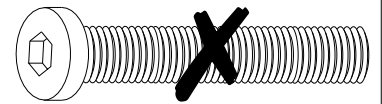
4 - CHAIR SUPPORT BAR x1

HARDWARE REQUIRED

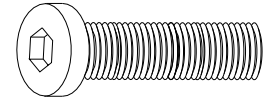
B  02

D  02

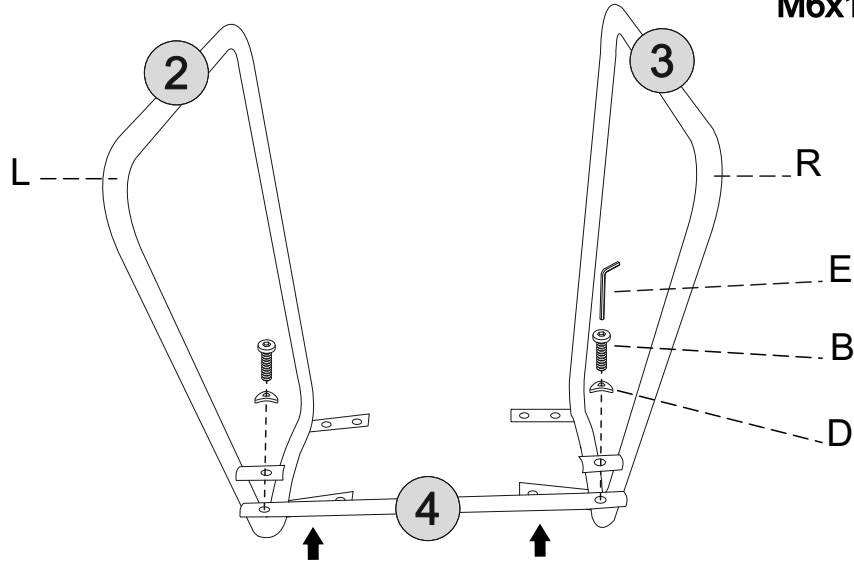
TOOLS REQUIRED



~~M6x18mm~~



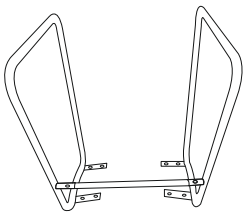
M6x13mm




STEP 2

PARTS REQUIRED

1 - SEAT PAD x1

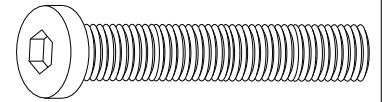


HARDWARE REQUIRED

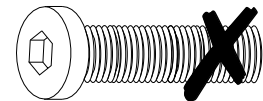
A  08

C  08

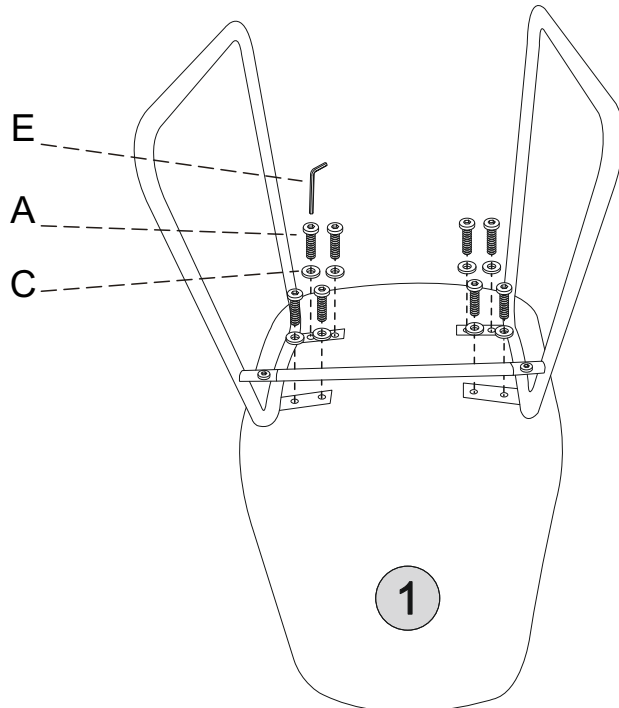
TOOLS REQUIRED



M6x18mm



~~M6x13mm~~



100KG
MAX CHAIR
WEIGHT

