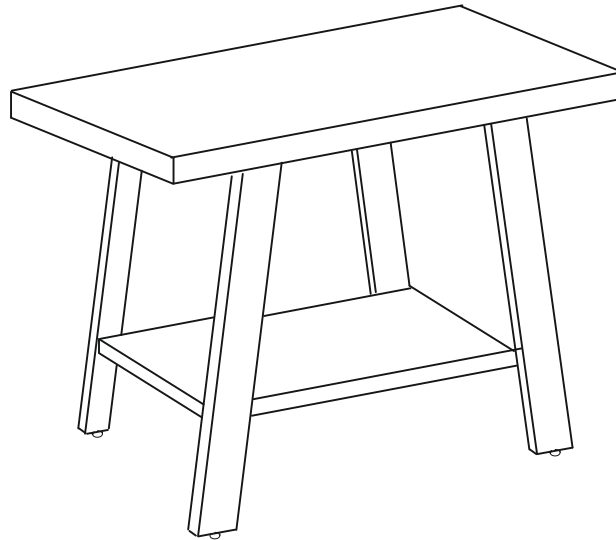


GREY/SONOMA EFFECT
EDDIE SIDE TABLE
ASSEMBLY INSTRUCTIONS



FOR DOMESTIC USE ONLY
IMPORTANT

PLEASE READ BEFORE YOU CONTINUE FURTHER

THE PRODUCT YOU HAVE PURCHASED WILL GIVE YOU MANY YEARS OF SERVICE IF YOU FOLLOW THE GUIDELINES FOR ITS SAFE ASSEMBLY AND PERIODIC MAINTENANCE AND CLEANING.

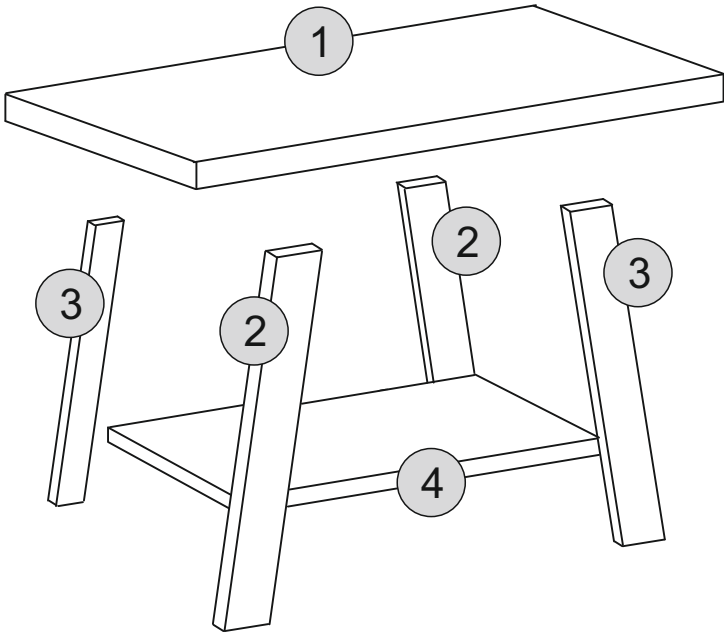
DO NOT USE ANY TOOLS OTHER THAN THOSE SHOWN.

ANY SPANNERS OR ALLEN KEYS REQUIRED ARE INCLUDED WITH THE FITTINGS KIT.

DO NOT FOR ANY REASON USE A POWER TOOL TO ASSEMBLE THIS PRODUCT. ITS USE WILL INVALIDATE ANY CLAIM YOU MAY HAVE AND COULD MAKE THIS PRODUCT UNSAFE.

DEPENDING ON THE AMOUNT OF USE THIS PRODUCT RECEIVES IT MAY BE NECESSARY TO TIGHTEN UP THE FIXINGS FROM TIME TO TIME. THIS IS COMPLETELY NORMAL FOR ANY FLAT PACK FURNITURE.

FOR CLEANING YOU MAY USE A DAMP CLOTH (NOT WET) DRY DUSTER AND NORMAL FURNITURE POLISH.







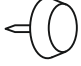


PLEASE CHECK THAT YOU HAVE ALL THE PARTS LISTED BEFORE YOU START ASSEMBLING. IF YOU DO FIND THAT SOMETHING IS MISSING, DO NOT CONTINUE ASSEMBLY. PLEASE CONTACT YOUR SUPPLIER IMMEDIATELY.

PART LIST

Part Number	Part Code	Part Description	Quantity	Carton
1	S300-302-059-AB1-01	Table Top	1	1/1
2	S300-302-059-AB1-02	Left Leg Panel	2	1/1
3	S300-302-059-AB1-03	Right Leg Panel	2	1/1
4	S300-302-059-AB1-04	Shelf	1	1/1

HARDWARE LIST

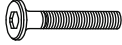


No	Part Name		Qty	Carton
A	35MM M6 Bolt		x8	1
B	Flat Washer		x8	1
C	Spring Washer		x8	1
D	Allen Key		x1	1
E	45MM M6 Bolt		x4	1
F	Half Round Washer		x4	1
G	PVC Nail Foot		x4	1

STEP 1

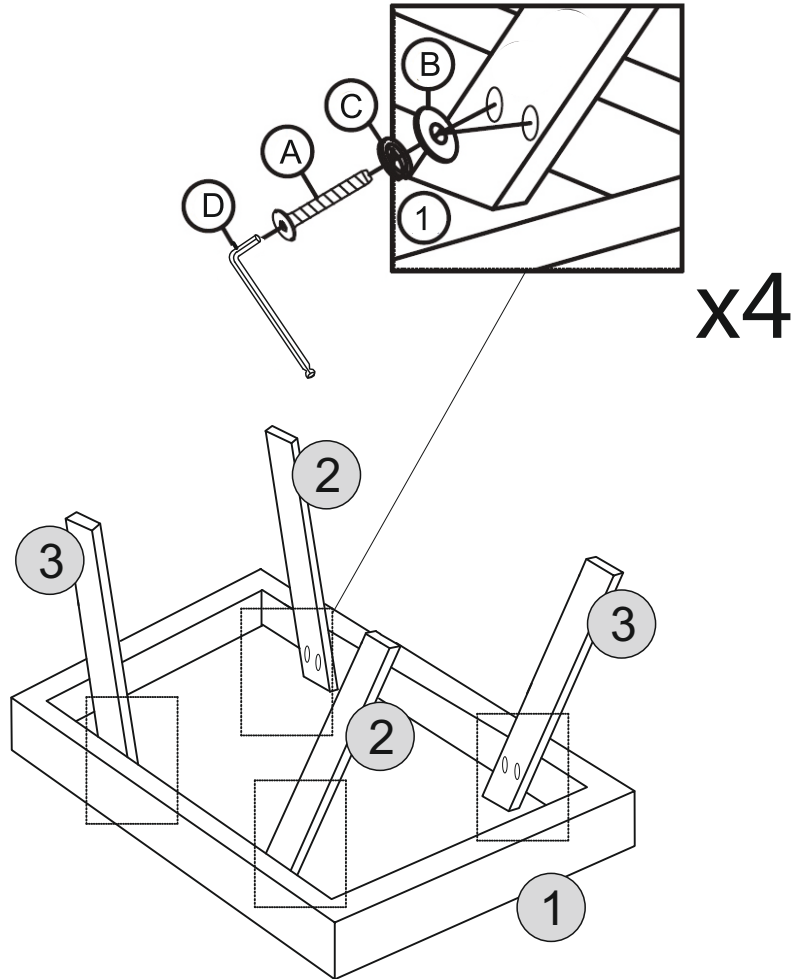
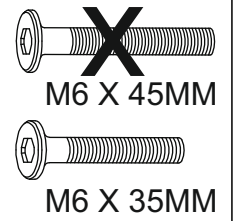
PARTS REQUIRED

1 - TABLE TOP	x1
2 - LEFT LEG PANEL	x2
3 - RIGHT LEG PANEL	x2

HARDWARE REQUIRED

A		08
B		08
C		08

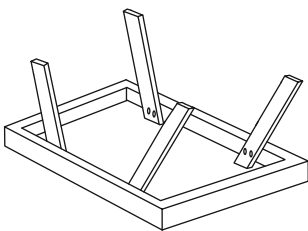
TOOLS REQUIRED



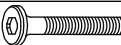

STEP 2

PARTS REQUIRED

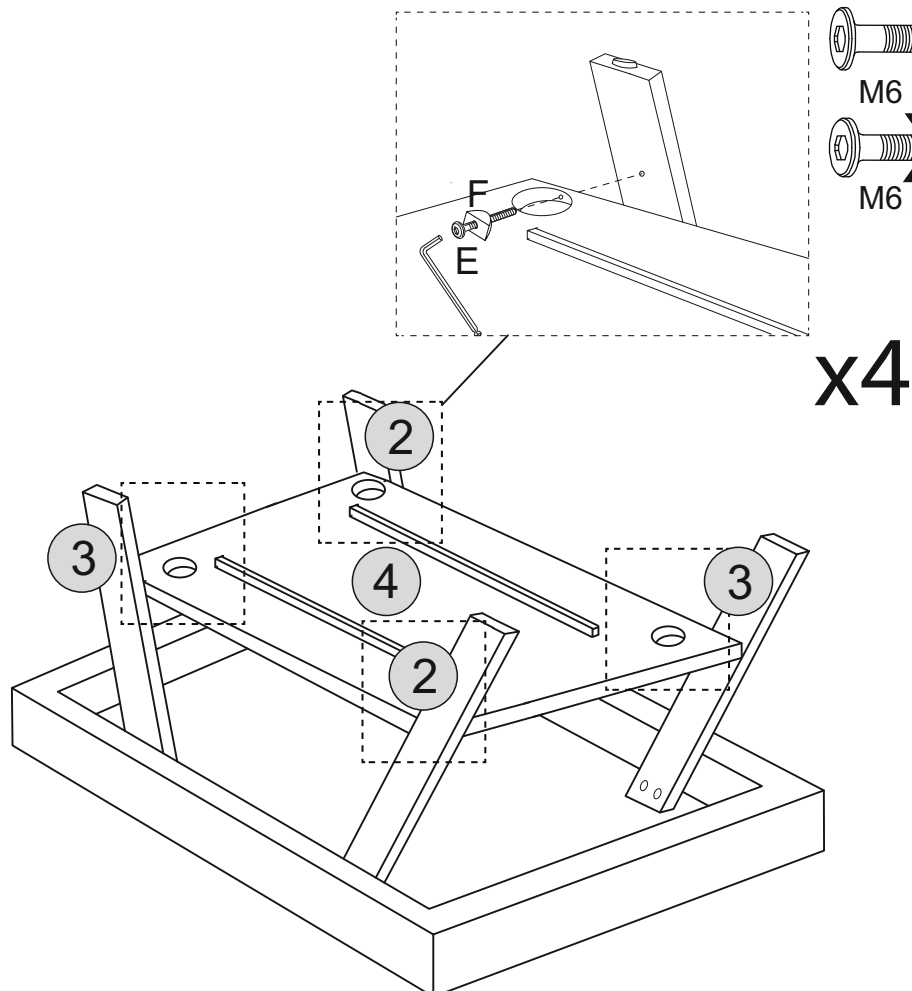
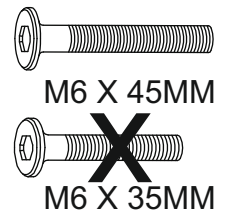
4- SHELF	x1
----------	----



HARDWARE REQUIRED

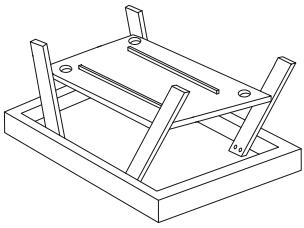
E		04
F		04

TOOLS REQUIRED

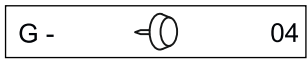


STEP 3

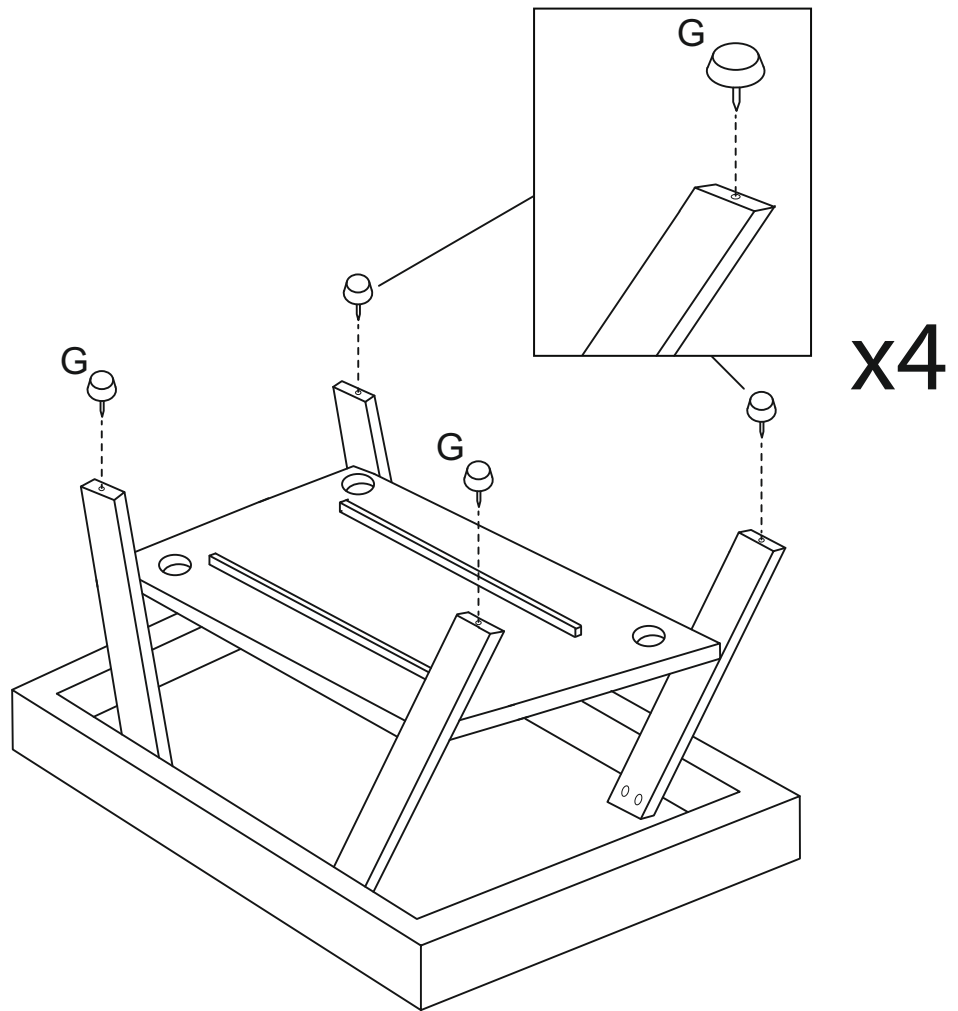
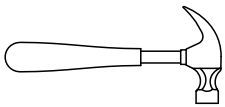
PARTS REQUIRED



HARDWARE REQUIRED



TOOLS REQUIRED



STEP 4

PARTS REQUIRED

HARDWARE REQUIRED

TOOLS REQUIRED

