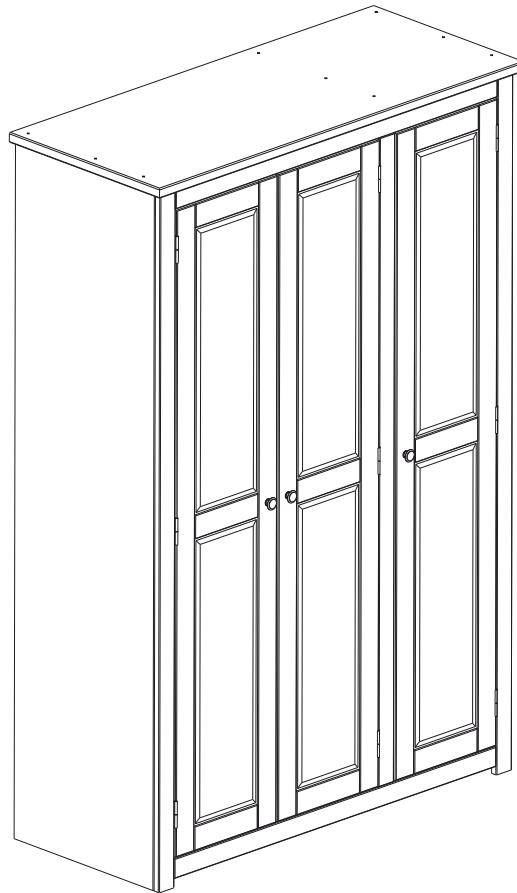


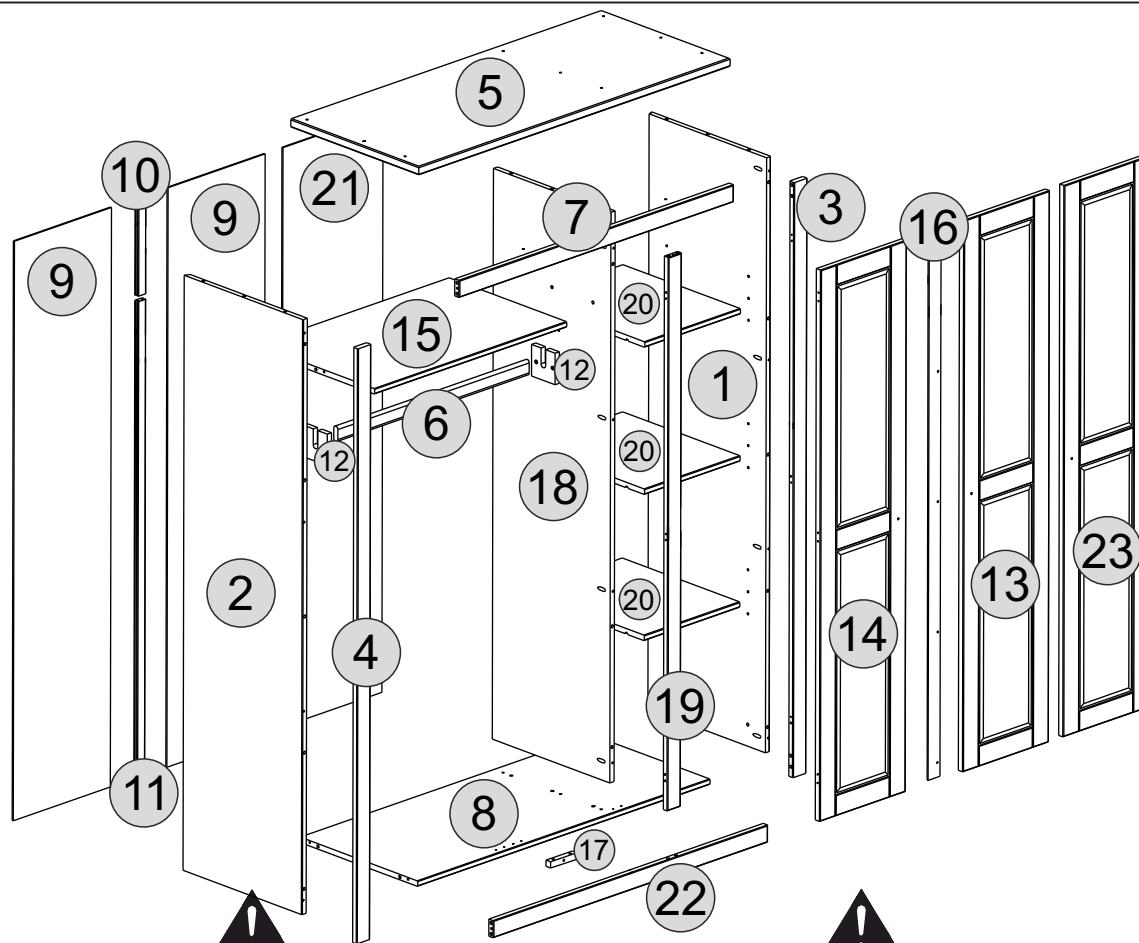
# PANAMA 3 DOOR WARDROBE ASSEMBLY INSTRUCTIONS



## IMPORTANT PLEASE READ BEFORE YOU CONTINUE FURTHER FOR DOMESTIC USE ONLY CARE AND MAINTENANCE

After unpacking this product please keep the original packaging in case it needs to be returned for any reason.

- Please ensure all fittings and parts are present before commencing with assembly.
- We recommend that you lay a blanket or sheet on the floor to avoid damage to both your floor and the product.
- We strongly recommend that you keep children away from your work area.
- Assemble this product as close to its final position as possible.
- Never drag or push products as this could cause damage to the joints making it inferior.
- Do not place this product next to a radiator or in direct sunlight.
- Wood is a natural product and may expand if subjected to damp and may shrink or crack if subjected to heat. Therefore it is recommended that room temperature is maintained, with no sudden temperature fluctuations.
- Make sure any spillage is wiped off immediately.
- Do not place hot or chilled items directly on to the surface, use a place mat or marking will occur.
- For general cleaning use a duster, and do not use detergents of any kind. However, the surface will need to be retreated from time to time. This can be done by using block wax (unperfumed) and rubbing it over the whole item.
- From time to time it may be necessary to tighten fittings, regular inspections should be carried out.



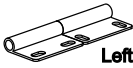


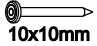
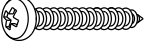

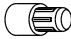

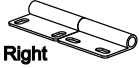
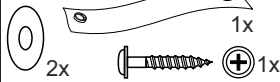


\*Use of power tools to assemble this product will invalidate any claim and could damage this product making it unsafe!!!  
\*Please assemble on a clean soft surface to avoid damage.

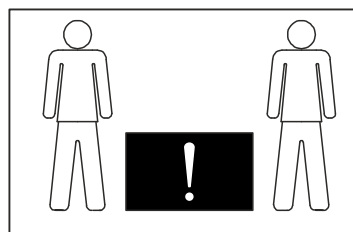
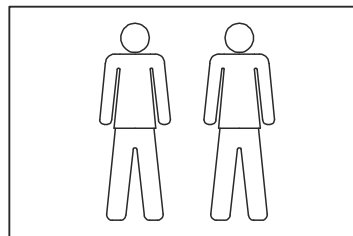
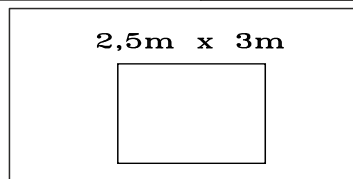
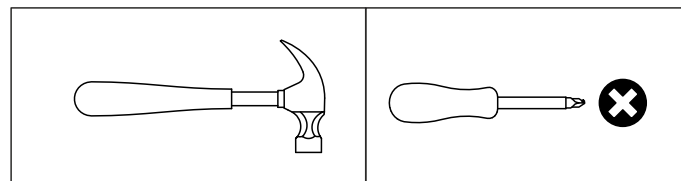
\*Please check contents and read the instructions before commencing assembly.  
\*Assemble this product following the enclosed instructions carefully.  
\*Please take care to avoid damaging parts during assembly.

Part Number	Part Code	Part Description	Quantity	Carton
1	S100-101-040-MY1-01	Right Side Panel	1	1/2
2	S100-101-040-MY1-02	Left Side Panel	1	1/2
3	S100-101-040-MY1-03	Right Front Upright	1	1/2
4	S100-101-040-MY1-04	Left Front Upright	1	1/2
5	S100-101-040-MY1-05	Top Panel	1	2/2
6	S100-101-040-MY1-06	Hanging Rail	1	2/2
7	S100-101-040-MY1-07	Front Crossbeam	1	2/2
8	S100-101-040-MY1-08	Base	1	2/2
9	S100-101-040-MY1-09	Back Panel	2	1/2
10	S100-101-040-MY1-10	Upper Back Panel Strip	1	1/2
11	S100-101-040-MY1-11	Lower Back Panel Strip	1	1/2
12	S100-101-040-MY1-12	Hanger Support	2	2/2
13	S100-101-040-MY1-13	Centre Door	1	1/2
14	S100-101-040-MY1-14	Left Door	1	1/2
15	S100-101-040-MY1-15	Fixed Shelf	1	2/2
16	S100-101-040-MY1-16	Door Strip	1	1/2
17	S100-101-040-MY1-17	Support Block	1	2/2
18	S100-101-040-MY1-18	Centre Panel	1	1/2
19	S100-101-040-MY1-19	Centre Front Upright	1	1/2
20	S100-101-040-MY1-20	Adjustable Shelf	3	2/2
21	S100-101-040-MY1-21	Large Back Panel	1	1/2
22	S100-101-040-MY1-22	Front Crossbeam	1	2/2
23	S100-101-040-MY1-23	Right Door	1	1/2

### FITTINGS

<b>A</b>	 Ø 8 x 30mm	<b>49</b>	<b>E</b>		<b>06</b>	<b>I</b>	 Left	<b>03</b>
<b>B</b>	 Ø 4,0 x 40mm	<b>12</b>	<b>F</b>		<b>03</b>	<b>J</b>	 10x10mm	<b>70</b>
<b>C</b>	 Ø 3,5 x 30mm	<b>39</b>	<b>G</b>	 M4 x 25mm	<b>03</b>	<b>K</b>		<b>12</b>
<b>D</b>	 Ø 3,0 x 16mm	<b>65</b>	<b>H</b>	 Right	<b>06</b>	<b>L</b>	 2x 1x 1x 1x	<b>01</b>

### TOOLS REQUIRED



# STEP 1

## PARTS REQUIRED

1 - RIGHT SIDE PANEL x1

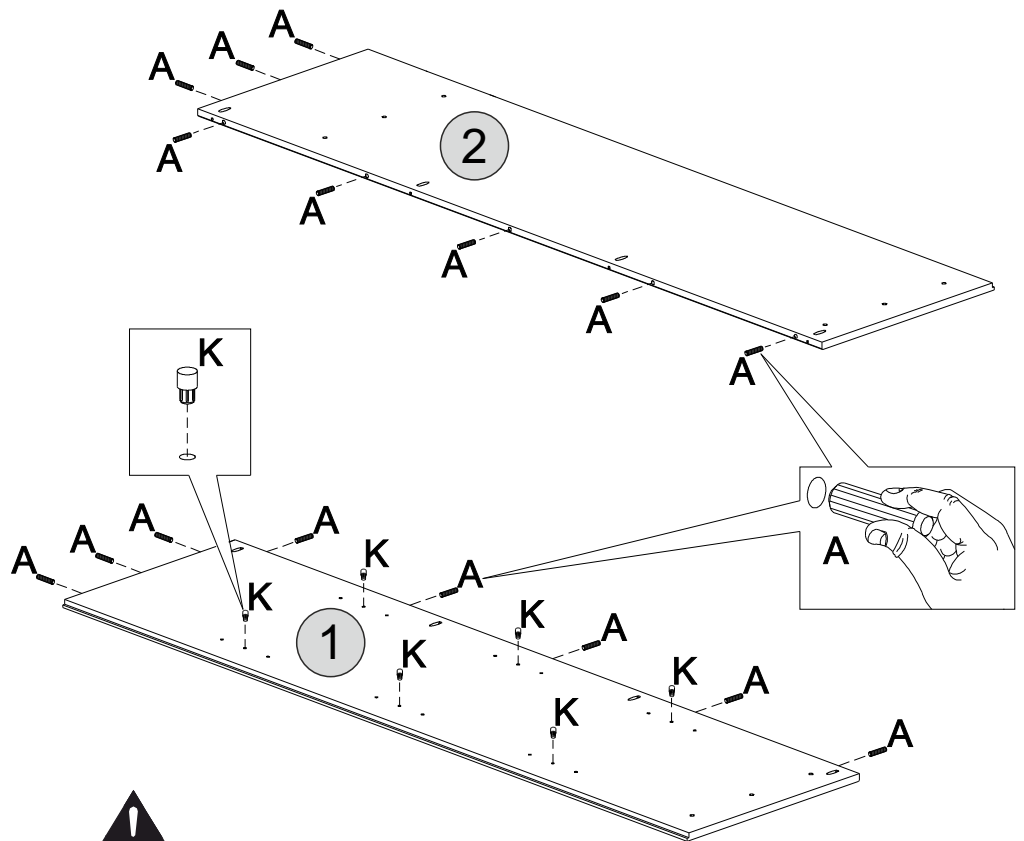
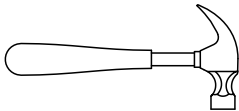
2 - LEFT SIDE PANEL x1


## HARDWARE REQUIRED

A  16  
Ø 8 x 30mm

K  06

## TOOLS REQUIRED



 Please assemble on a clean soft surface to avoid damage.

# STEP 2

## PARTS REQUIRED

2 - LEFT SIDE PANEL x1

12 - HANGER SUPPORT x2

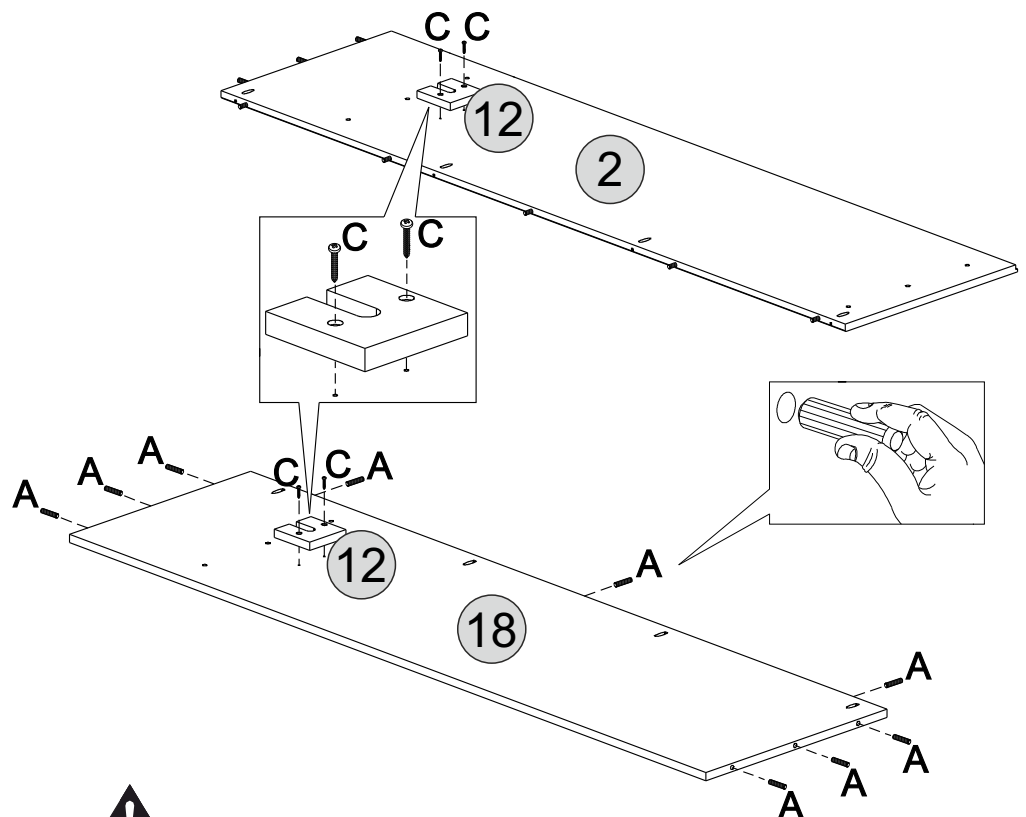
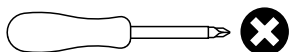
18 - CENTRE PANEL x1

## HARDWARE REQUIRED

A  09  
Ø 8 x 30mm

C  04  
Ø 3,5 x 30mm

## TOOLS REQUIRED



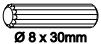
 Please assemble on a clean soft surface to avoid damage.

# STEP 3

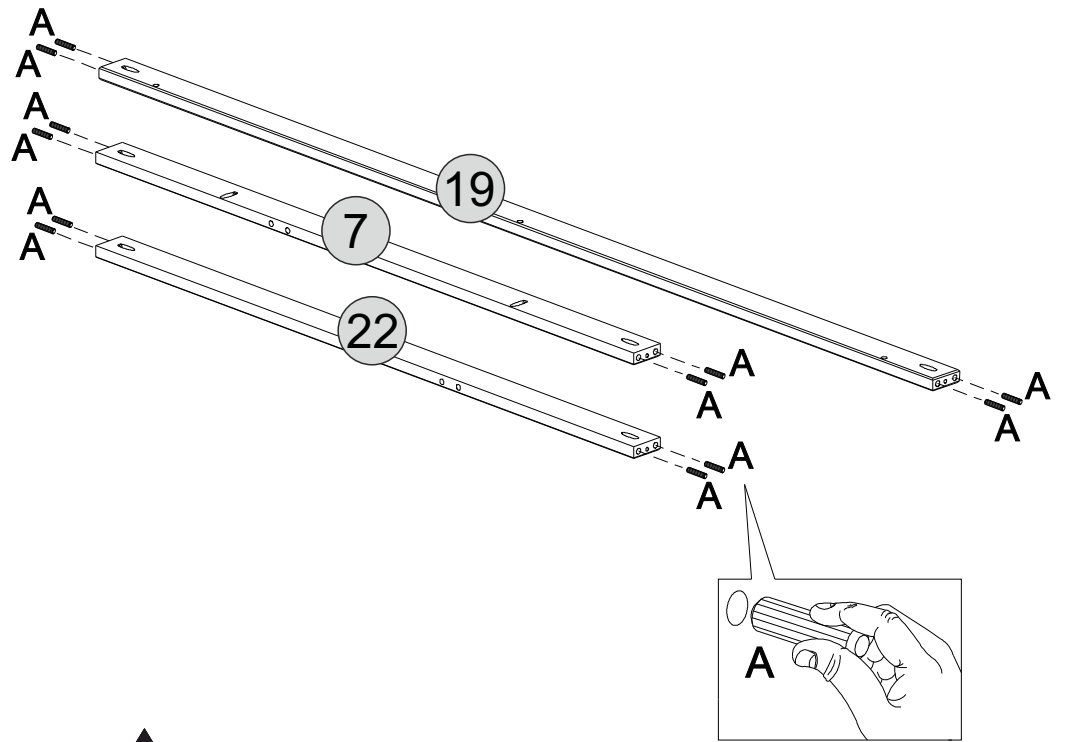
## PARTS REQUIRED

- 7 - FRONT CROSSBEAM x1
- 19 - CENTRE FRONT UPRIGHT x1
- 22 - FRONT CROSSBEAM x1

## HARDWARE REQUIRED

- A  12

## TOOLS REQUIRED



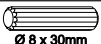


 Please assemble on a clean soft surface to avoid damage.

# STEP 4

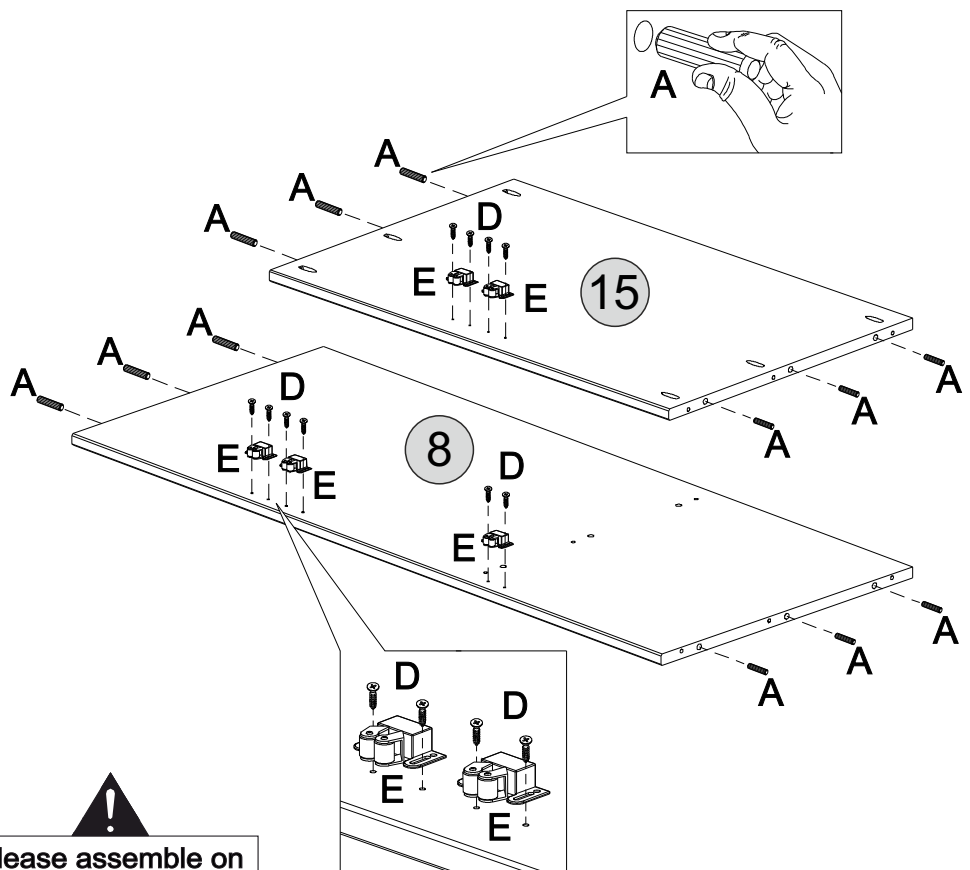
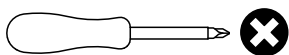
## PARTS REQUIRED

- 8 - BASE x1
- 15 - FIXED SHELF x1

## HARDWARE REQUIRED

- A  12
- D  10
- E  05

## TOOLS REQUIRED



 Please assemble on a clean soft surface to avoid damage.

# STEP 5


## PARTS REQUIRED

18 - LEFT SIDE PANEL x1

19 - BASE FRONT APRON x1

## HARDWARE REQUIRED

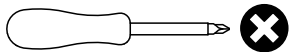
C  04  
Ø 3,5 x 30mm


D  02  
Ø 3,0 x 16mm

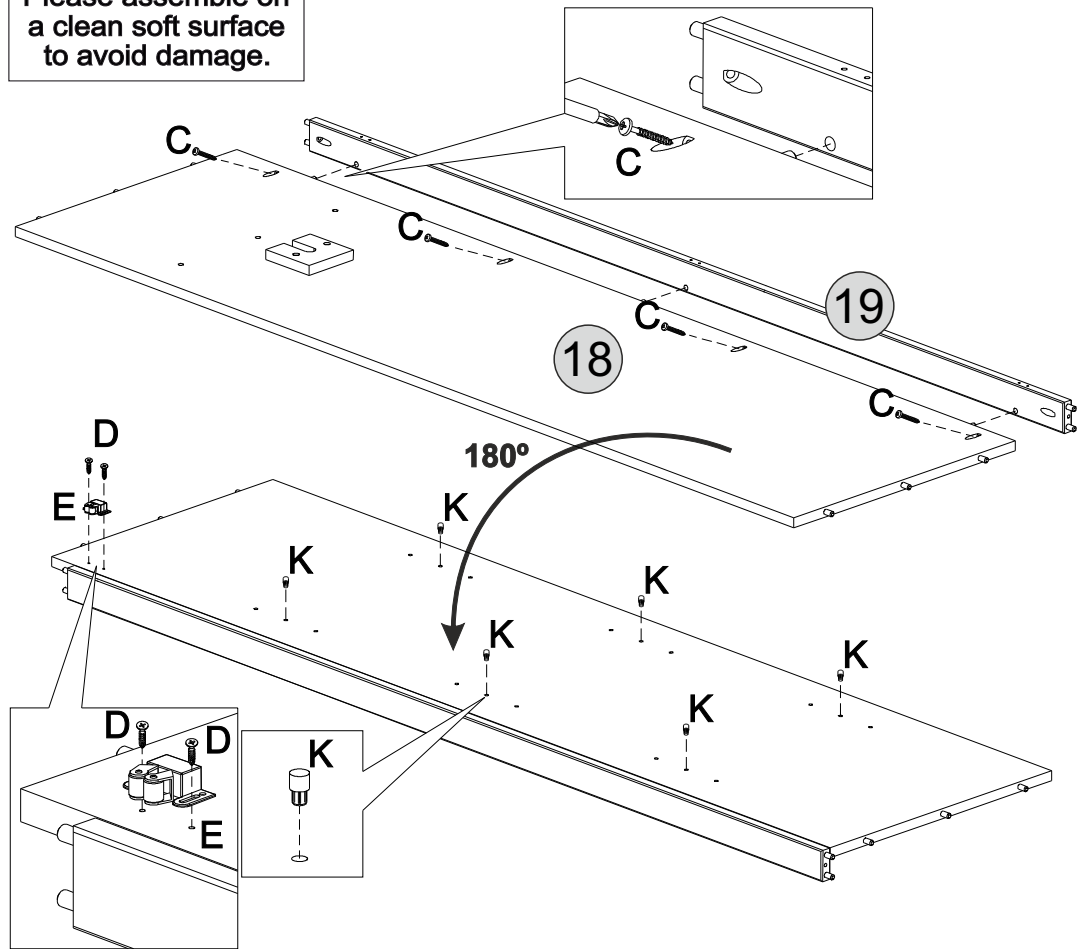
E  01

K  06

## TOOLS REQUIRED



 Please assemble on a clean soft surface to avoid damage.



# STEP 6

## PARTS REQUIRED


1 - RIGHT SIDE PANEL x1

2 - LEFT SIDE PANEL x1

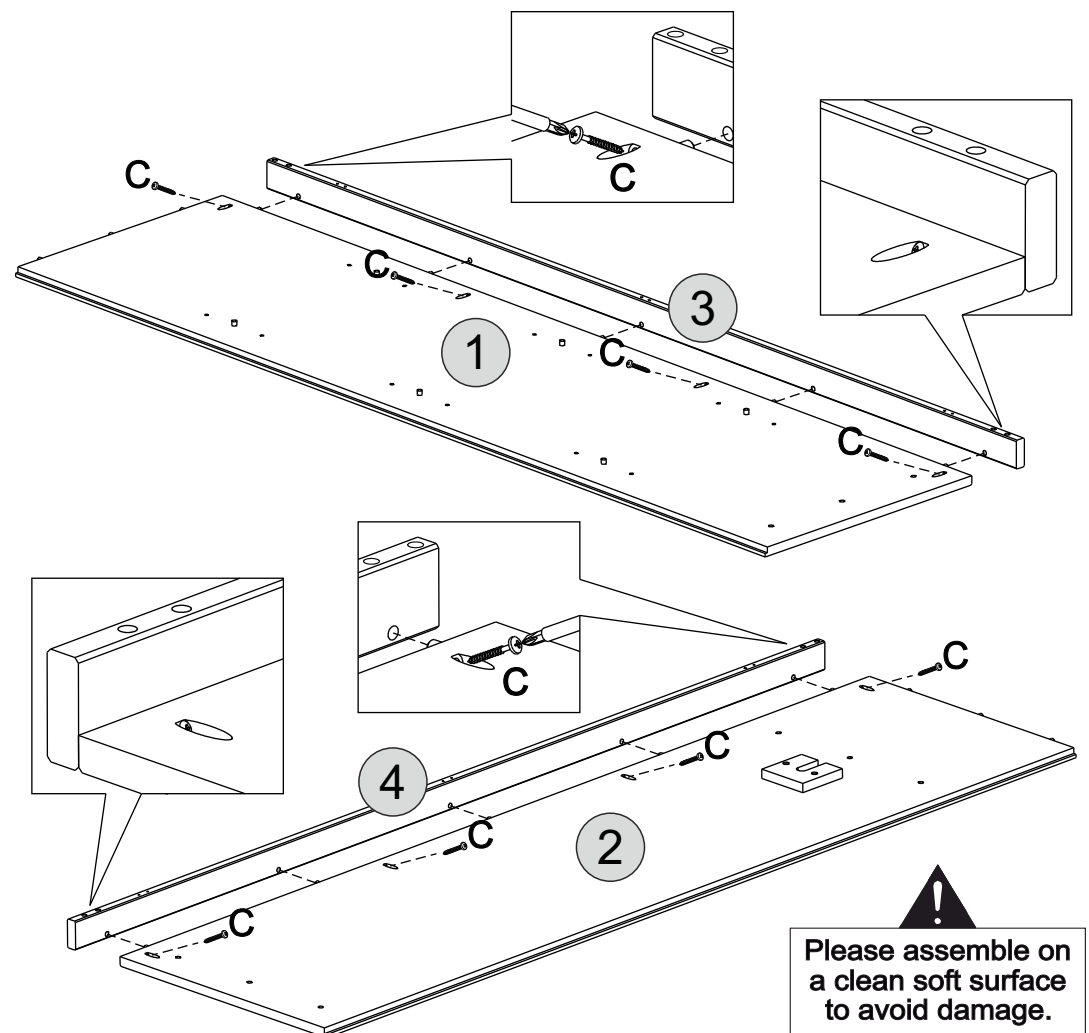
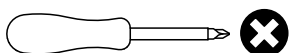
3 - RIGHT FRONT UPRIGHT x1

4 - LEFT FRONT UPRIGHT x1

## HARDWARE REQUIRED

C  08  
Ø 3,5 x 30mm

## TOOLS REQUIRED



 Please assemble on a clean soft surface to avoid damage.

# STEP 7

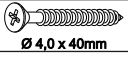
## PARTS REQUIRED

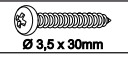
8 - BASE x1

15 - FIXED SHELF x1

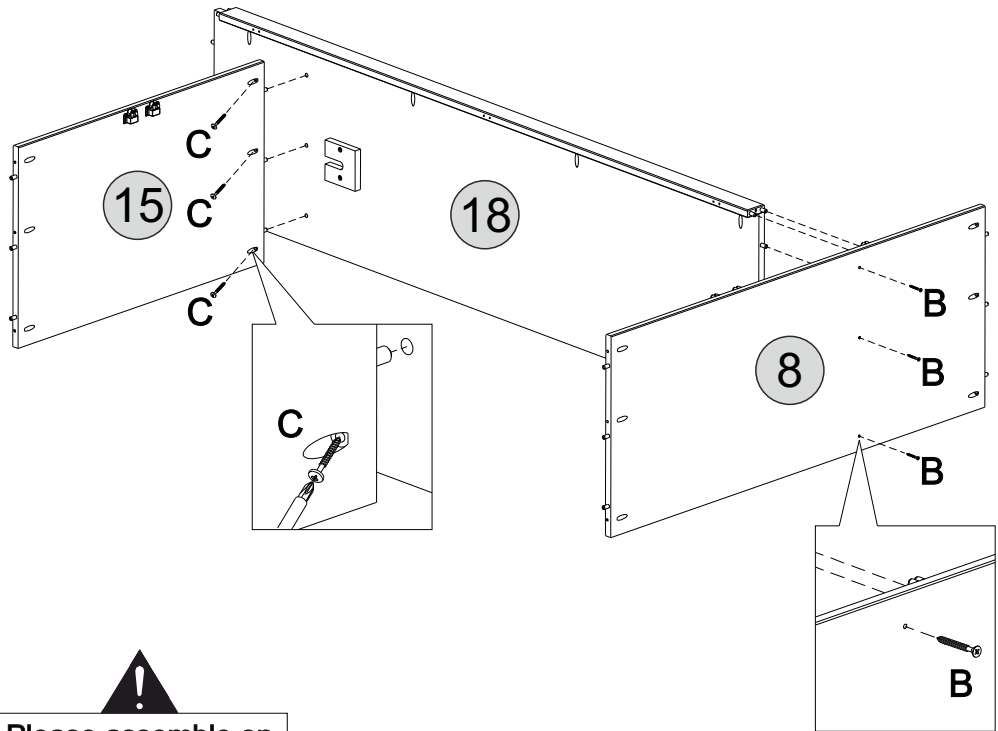
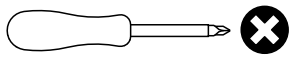
18 - CENTRE PANEL x1

## HARDWARE REQUIRED

B  03

C  03

## TOOLS REQUIRED



 Please assemble on a clean soft surface to avoid damage.

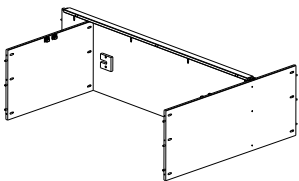
# STEP 8

## PARTS REQUIRED

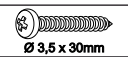
2 - LEFT SIDE PANEL x1

7 - FRONT CROSSBEAM x1

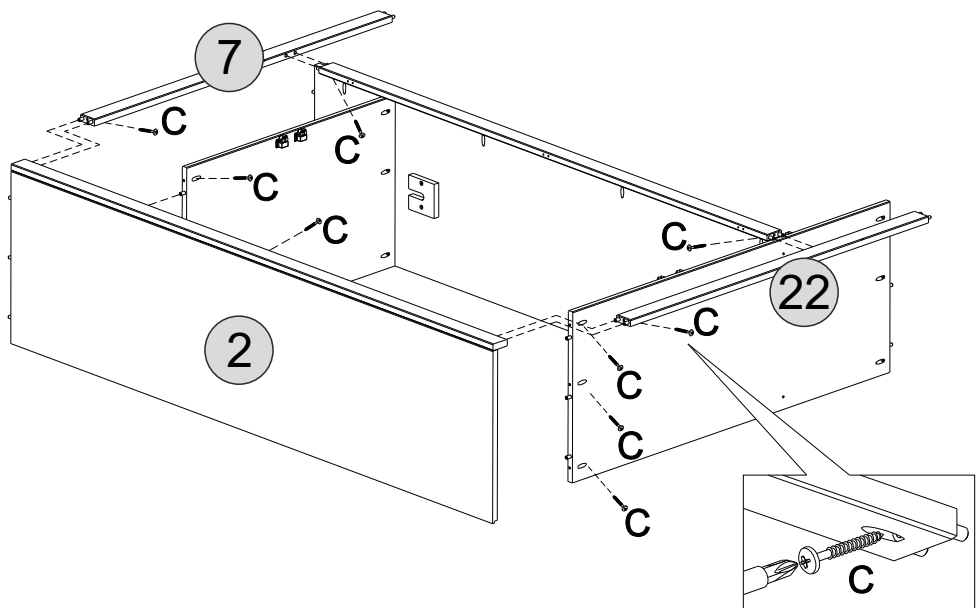
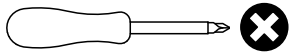
22 - FRONT CROSSBEAM x1



## HARDWARE REQUIRED

C  09

## TOOLS REQUIRED

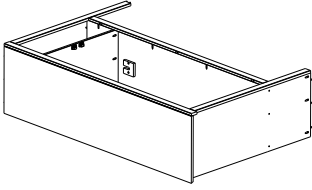


 Please assemble on a clean soft surface to avoid damage.

# STEP 9

## PARTS REQUIRED

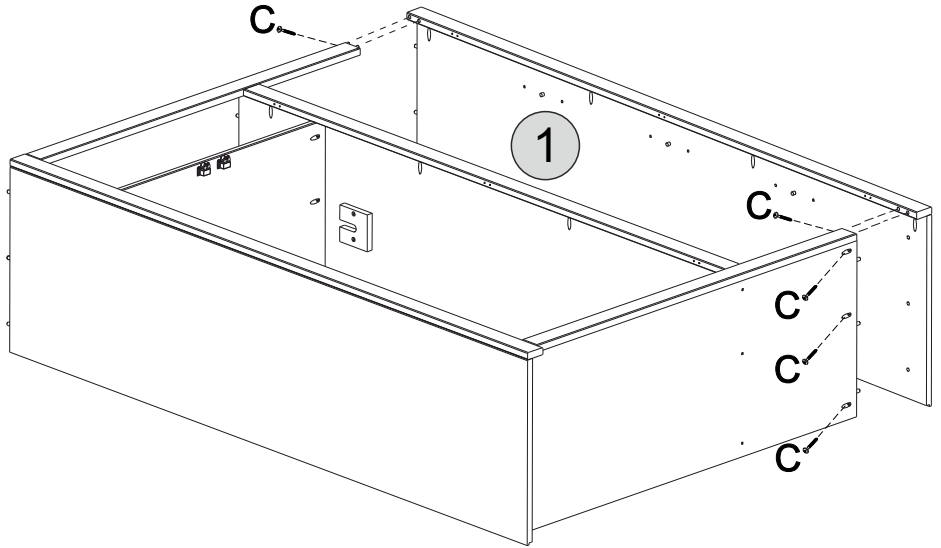
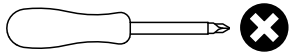
1 - LEFT SIDE PANEL x1



## HARDWARE REQUIRED

C  05  
Ø 3,5 x 30mm

## TOOLS REQUIRED



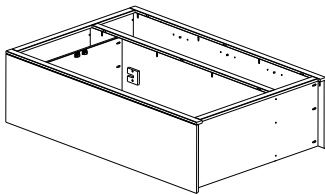
  
Please assemble on a clean soft surface to avoid damage.

# STEP 10

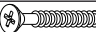
## PARTS REQUIRED

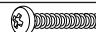
5 - TOP PANEL x1

17 - SUPPORT BLOCK x1

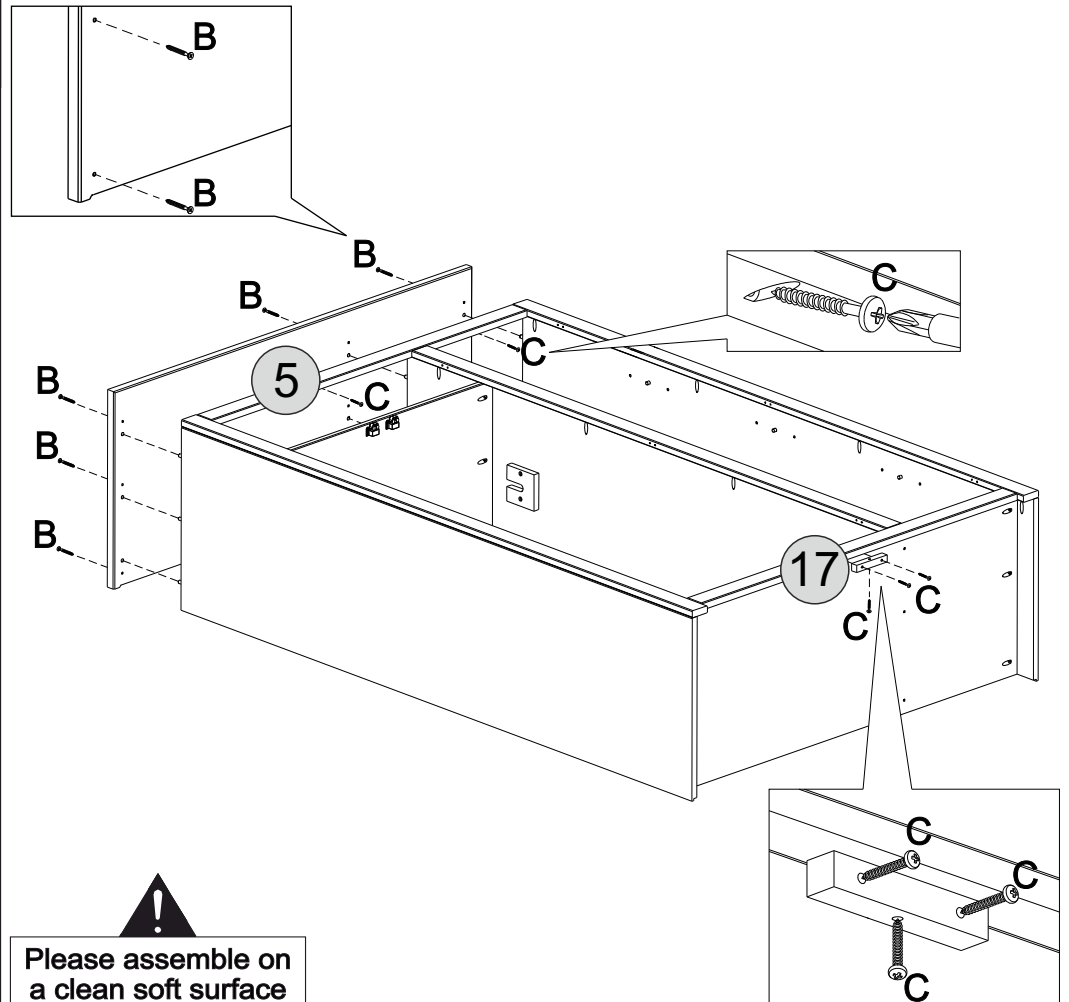
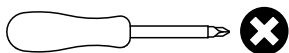


## HARDWARE REQUIRED

B  09  
Ø 4,0 x 40mm

C  05  
Ø 3,5 x 30mm

## TOOLS REQUIRED



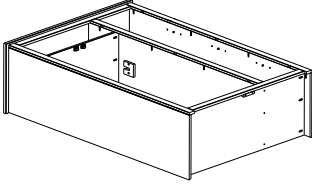
  
Please assemble on a clean soft surface to avoid damage.



# STEP 11

## PARTS REQUIRED

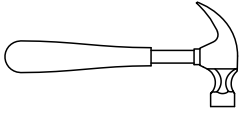
- 9 - BACK PANEL x2
- 10 - UPPER BACK PANEL STRIP x1
- 11 - LOWER BACK PANEL STRIP x1
- 21 - LARGE BACK PANEL x1



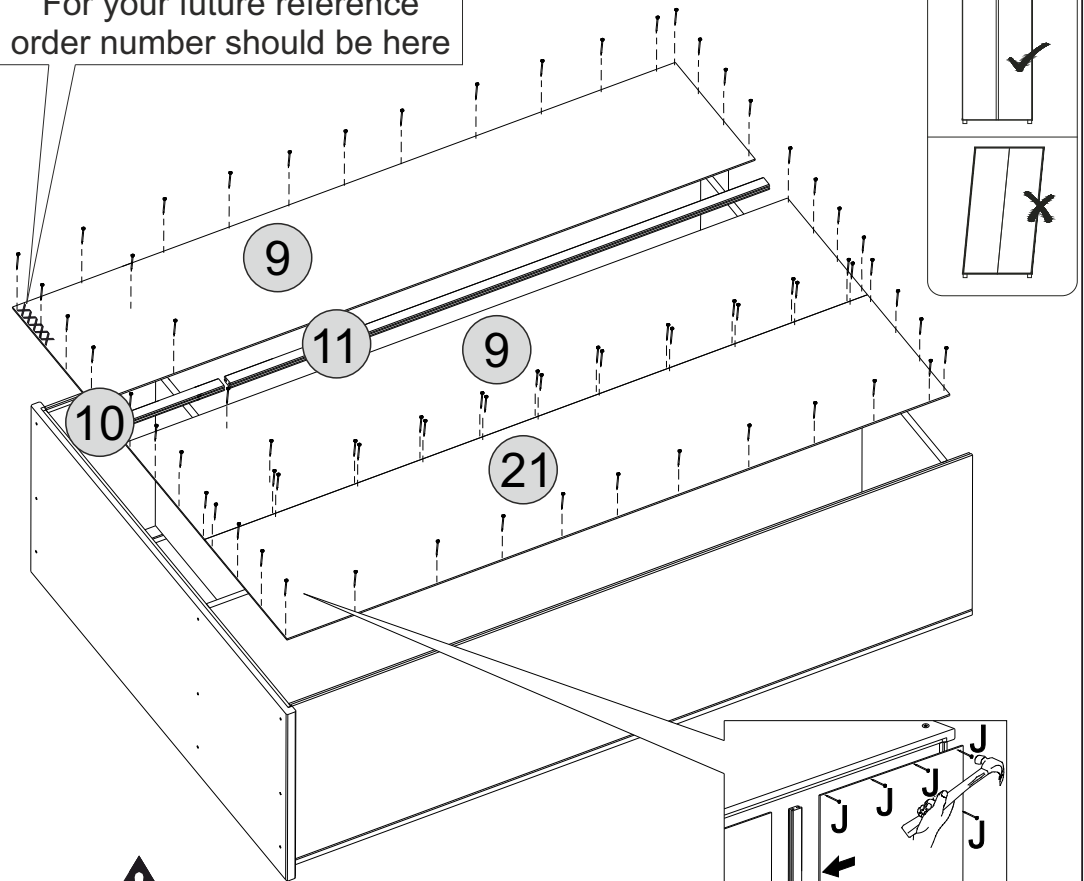
## HARDWARE REQUIRED

- J  10x10mm 70

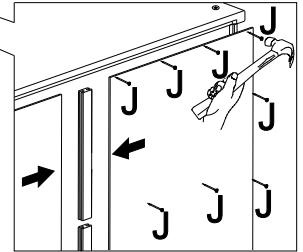
## TOOLS REQUIRED



For your future reference order number should be here



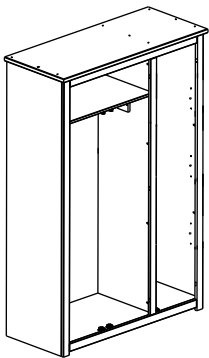
**!**  
Please assemble on a clean soft surface to avoid damage.



# STEP 12

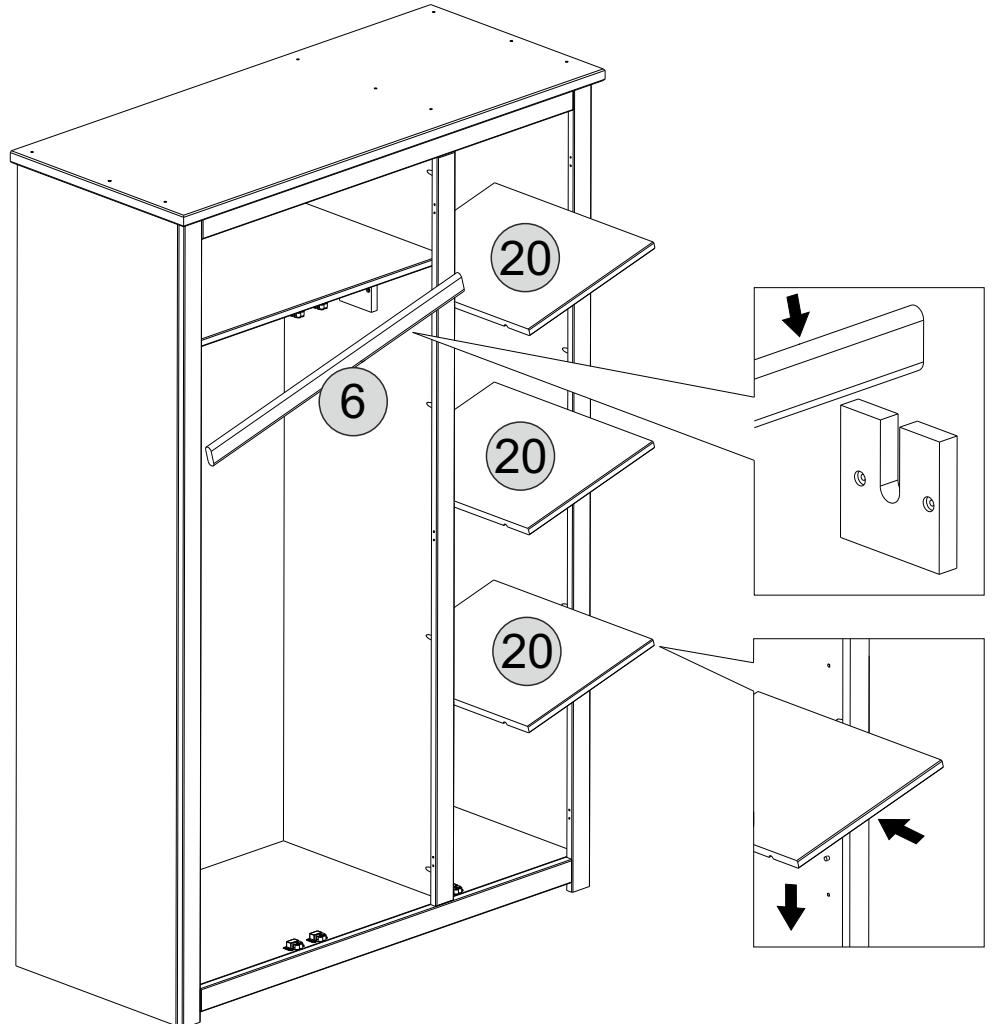
## PARTS REQUIRED

- 6 - HANGING RAIL x1
- 20 - ADJUSTABLE SHELF x3



## HARDWARE REQUIRED

## TOOLS REQUIRED



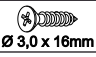
# STEP 13

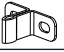
## PARTS REQUIRED

14 - LEFT DOOR x1

16 - DOOR STRIP x1

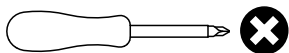
## HARDWARE REQUIRED

D  15  
Ø 3,0 x 16mm

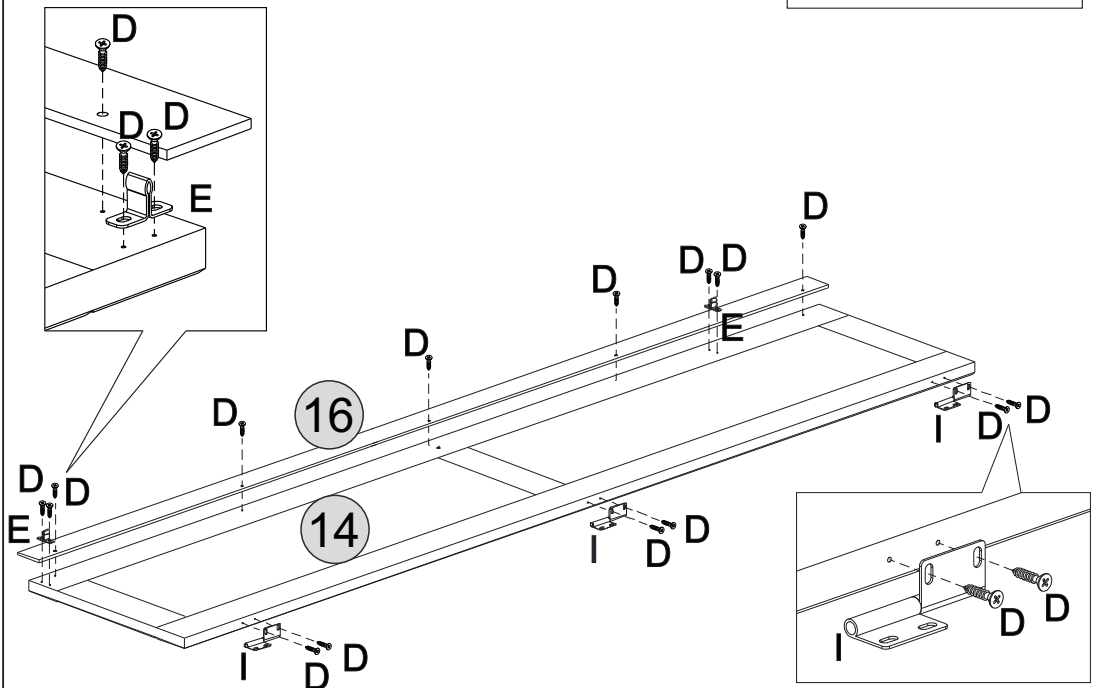
E  02

I  03  
Left

## TOOLS REQUIRED



  
Please assemble on a clean soft surface to avoid damage.



# STEP 14

## PARTS REQUIRED

13 - CENTRE DOOR x1

23 - RIGHT DOOR x1

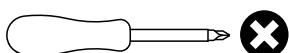
## HARDWARE REQUIRED

D  20  
Ø 3,0 x 16mm

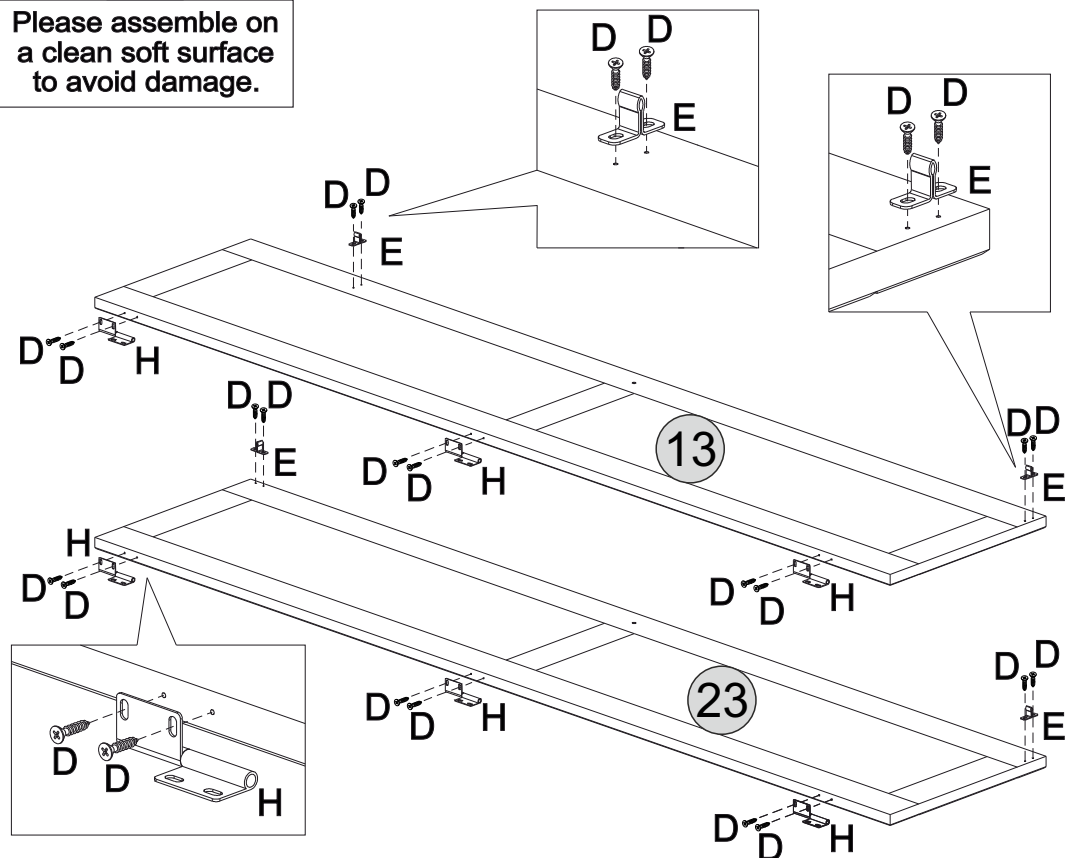
E  04

H  06  
Right

## TOOLS REQUIRED



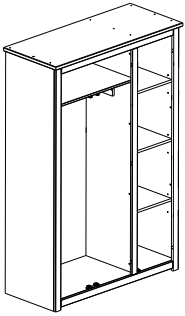
  
Please assemble on a clean soft surface to avoid damage.



# STEP 15


## PARTS REQUIRED

14 - LEFT DOOR x1



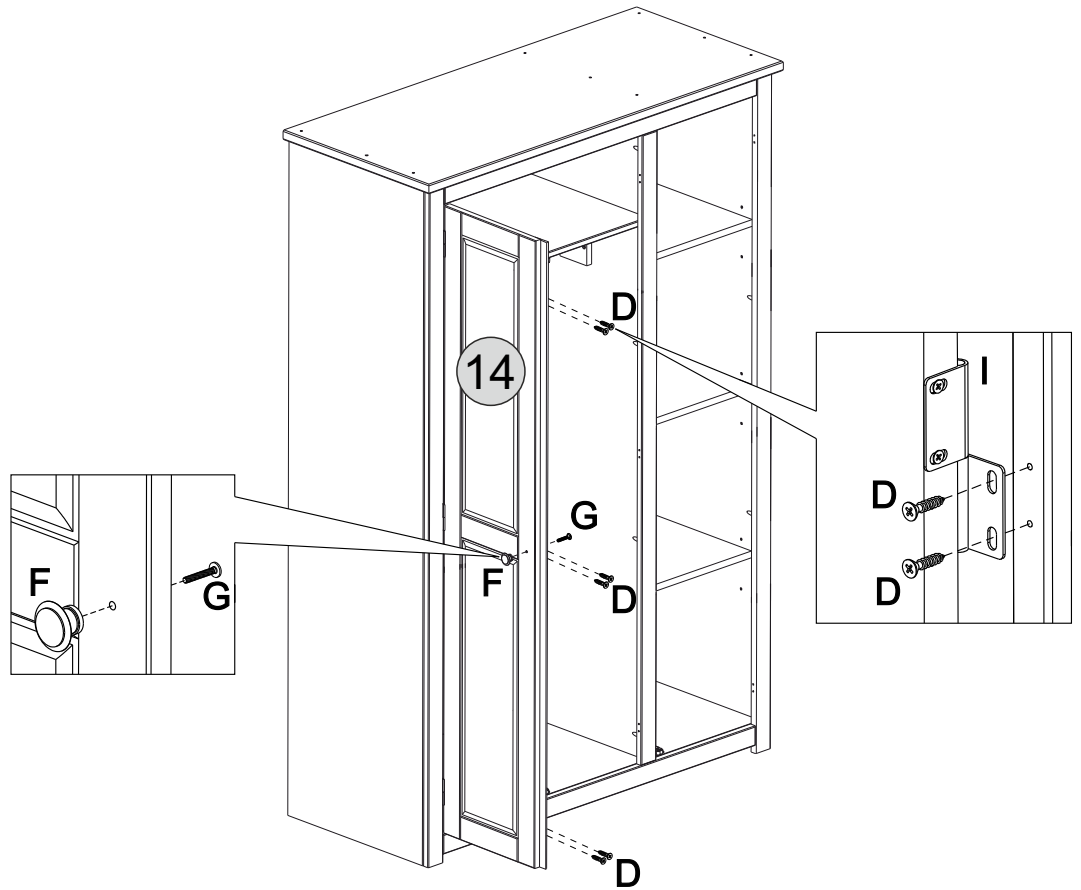
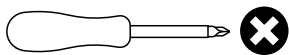
## HARDWARE REQUIRED

D  06  
Ø 3,0 x 16mm

F  01

G  01  
M4 x 25mm

## TOOLS REQUIRED

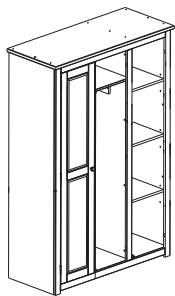


# STEP 16

## PARTS REQUIRED

13 - CENTRE DOOR x1

23 - RIGHT DOOR x1



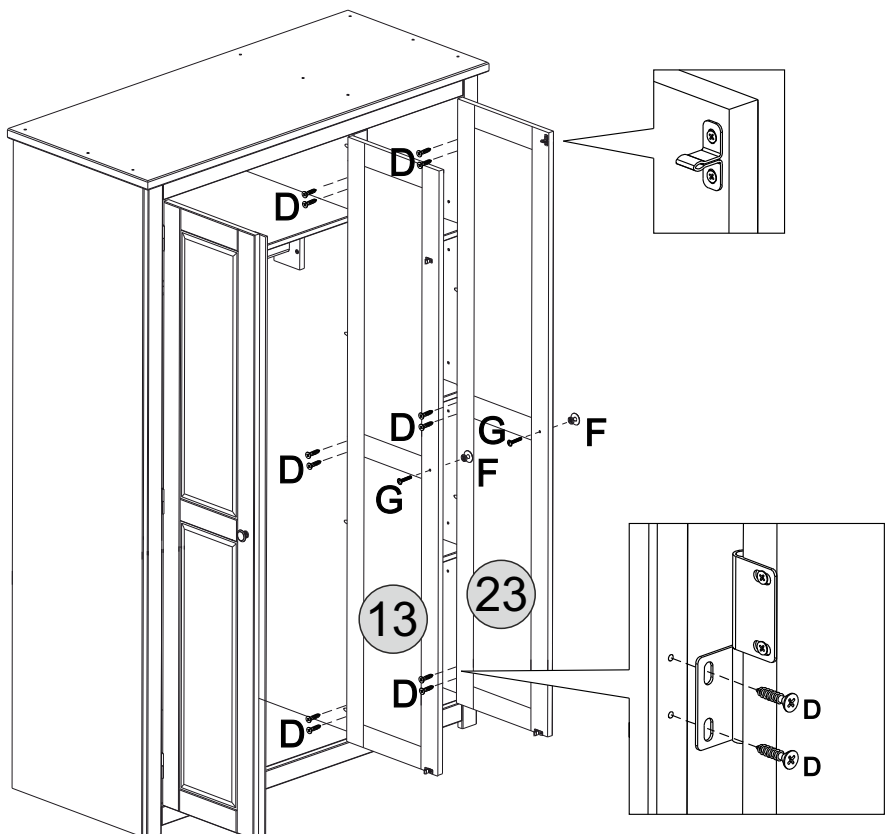
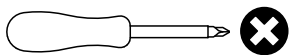
## HARDWARE REQUIRED

D  12  
Ø 3,0 x 16mm

F  02

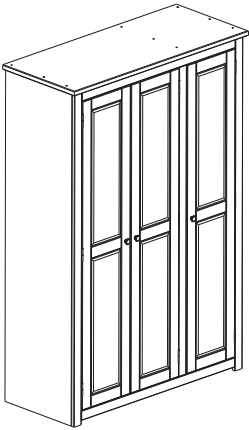
G  02  
M4 x 25mm

## TOOLS REQUIRED

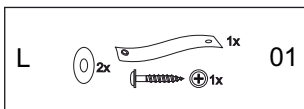


# STEP 17

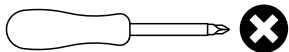
## PARTS REQUIRED



## HARDWARE REQUIRED



## TOOLS REQUIRED



## WARNING

**Serious or fatal injuries can occur from furniture tipping over. To prevent the furniture from tipping over we recommend that it is permanently fixed to the wall.**

Wall fixings are not supplied with this product as different wall materials require different types of fixing devices. Please make sure you use fixings suitable for the walls in your home.

