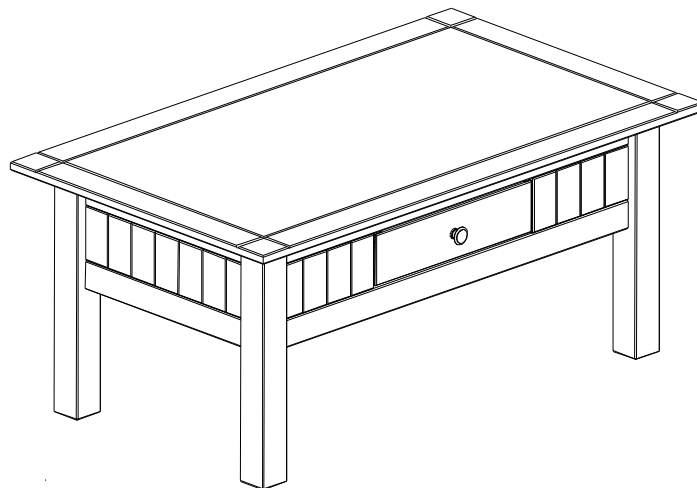


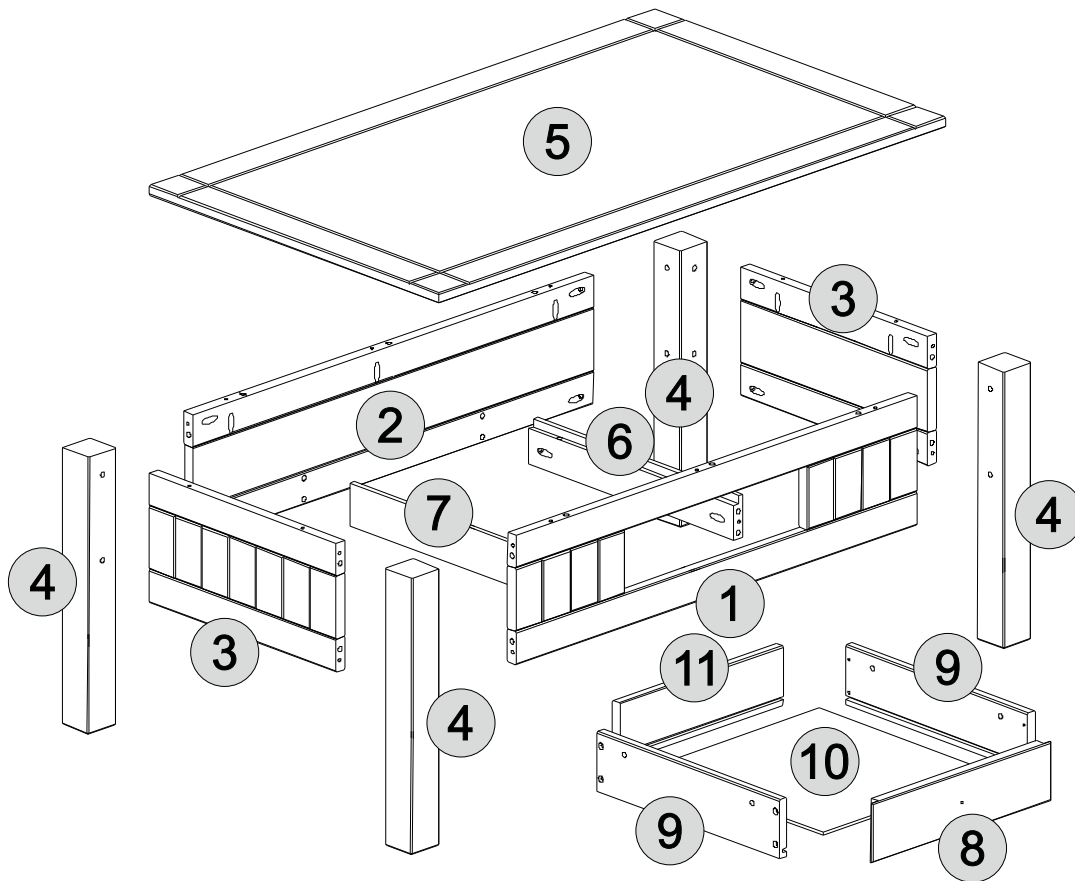
# PANAMA 1 DRAWER COFFEE TABLE ASSEMBLY INSTRUCTIONS



## **IMPORTANT** PLEASE READ BEFORE YOU CONTINUE FURTHER **FOR DOMESTIC USE ONLY** **CARE AND MAINTENANCE**

After unpacking this product please keep the original packaging in case it needs to be returned for any reason.

- Please ensure all fittings and parts are present before commencing with assembly.
- We recommend that you lay a blanket or sheet on the floor to avoid damage to both your floor and the product.
- We strongly recommend that you keep children away from your work area.
- Assemble this product as close to its final position as possible.
- Never drag or push products as this could cause damage to the joints making it inferior.
- Do not place this product next to a radiator or in direct sunlight.
- Wood is a natural product and may expand if subjected to damp and may shrink or crack if subjected to heat. Therefore it is recommended that room temperature is maintained, with no sudden temperature fluctuations.
- Make sure any spillage is wiped off immediately.
- Do not place hot or chilled items directly on to the surface, use a place mat or marking will occur.
- For general cleaning use a duster, and do not use detergents of any kind. However, the surface will need to be retreated from time to time. This can be done by using block wax (unperfumed) and rubbing it over the whole item.
- From time to time it may be necessary to tighten fittings, regular inspections should be carried out.



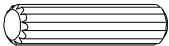


**!**  
 \* Use of power tools to assemble this product will invalidate any claim and damage this product making it unsafe !!!  
 \* Please assemble on a clean soft surface to avoid damage.

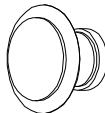

**!**  
 \* Please check contents and read the instructions before commencing assembly.  
 \* Assemble this product following the enclosed instructions carefully.  
 \* Please take care to avoid damaging panels during assembly.

### PARTS LIST

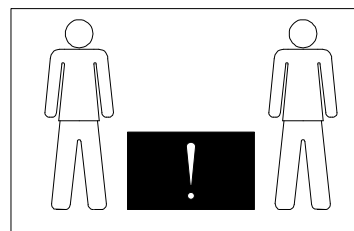
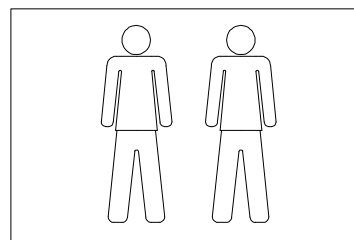
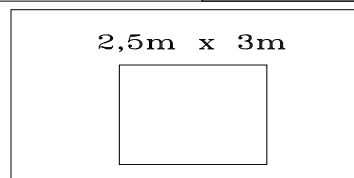
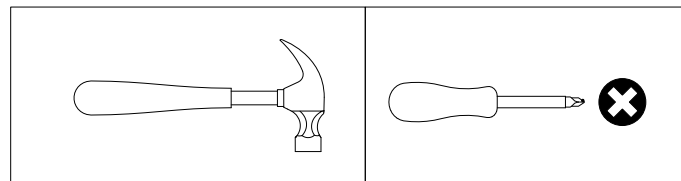
Part Number	Part Code	Part Description	Quantity	Carton
01	S300-301-024-PJ1-01	Front Frame	1	1/1
02	S300-301-024-PJ1-02	Back Panel	1	1/1
03	S300-301-024-PJ1-03	Side Panel	2	1/1
04	S300-301-024-PJ1-04	Leg	4	1/1
05	S300-301-024-PJ1-05	Top Panel	1	1/1
06	S300-301-024-PJ1-06	Right Drawer Runner	1	1/1
07	S300-301-024-PJ1-07	Left Drawer Runner	1	1/1
08	S300-301-024-PJ1-08	Drawer Front	1	1/1
09	S300-301-024-PJ1-09	Drawer Side	2	1/1
10	S300-301-024-PJ1-10	Drawer Bottom	1	1/1
11	S300-301-024-PJ1-11	Drawer Back	1	1/1

### FITTINGS

A	 Ø 8 x 30mm	34
B	 Ø 3,5 x 35mm	30
C	 Ø 3,0 x 30mm	08

D		01
E	 M4 x 25mm	01

### TOOLS REQUIRED



# STEP 1

## PARTS REQUIRED

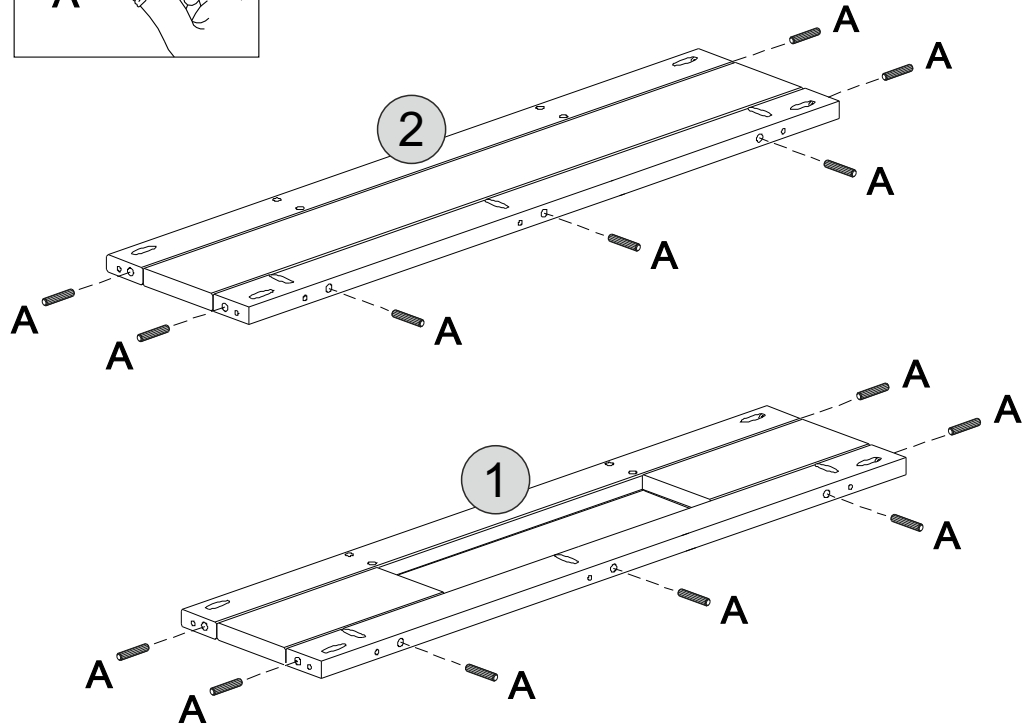
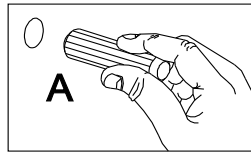
1 - FRONT FRAME x1

2 - BACK PANEL x1

## HARDWARE REQUIRED

A  14  
Ø 8 x 30mm

## TOOLS REQUIRED



 Please assemble on a clean soft surface to avoid damage.

# STEP 2

## PARTS REQUIRED

3 - SIDE PANEL x2

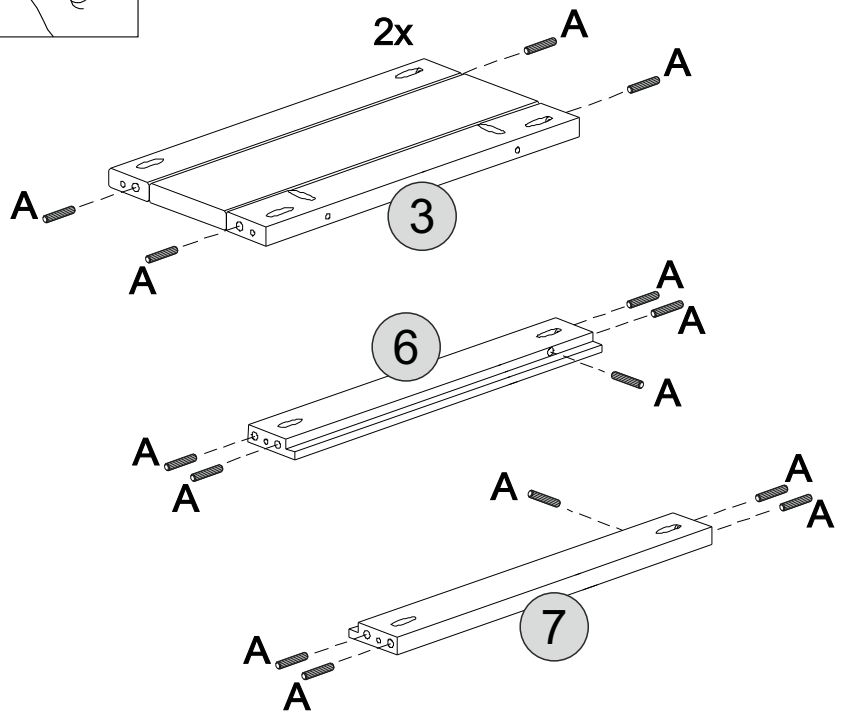
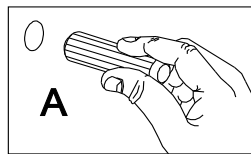
6 - RIGHT DRAWER RUNNER x1

7 - LEFT DRAWER RUNNER x1

## HARDWARE REQUIRED

A  18  
Ø 8 x 30mm

## TOOLS REQUIRED



 Please assemble on a clean soft surface to avoid damage.

# STEP 3

## PARTS REQUIRED

1 - FRONT FRAME x1

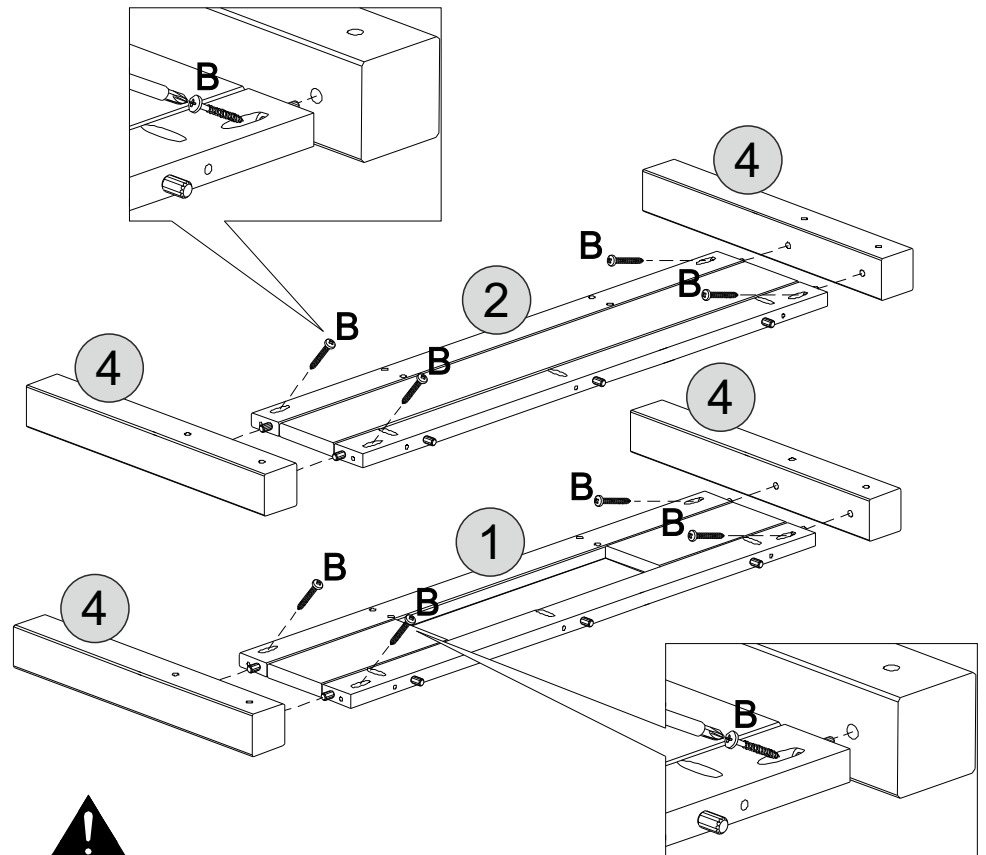
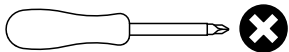
2 - BACK PANEL x1

4 - LEG x4

## HARDWARE REQUIRED

B  08  
Ø 3,5 x 35mm

## TOOLS REQUIRED



 Please assemble on a clean soft surface to avoid damage.

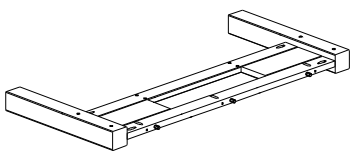
# STEP 4

## PARTS REQUIRED

3 - SIDE PANEL x2

6 - RIGHT DRAWER RUNNER x1

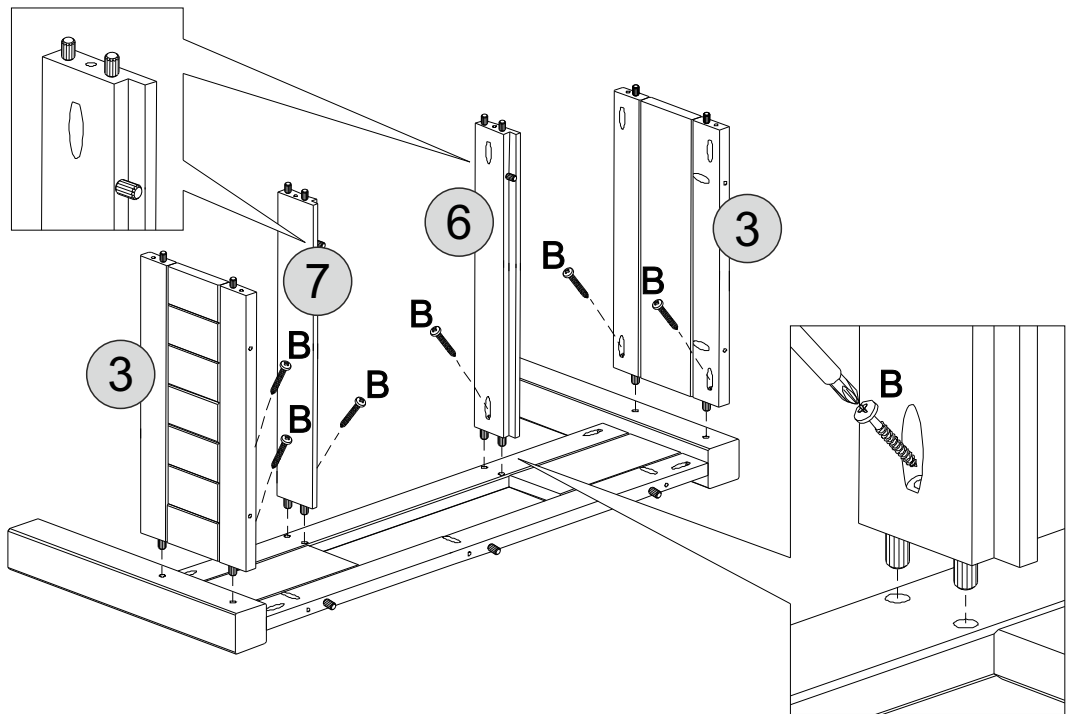
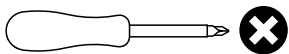
7 - LEFT DRAWER RUNNER x1



## HARDWARE REQUIRED

B  06  
Ø 3,5 x 35mm

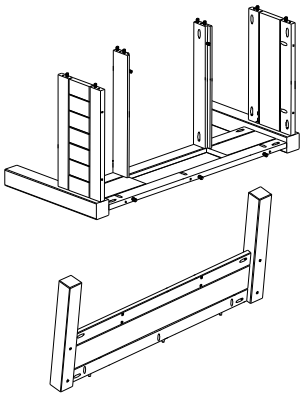
## TOOLS REQUIRED



 Please assemble on a clean soft surface to avoid damage.

# STEP 5

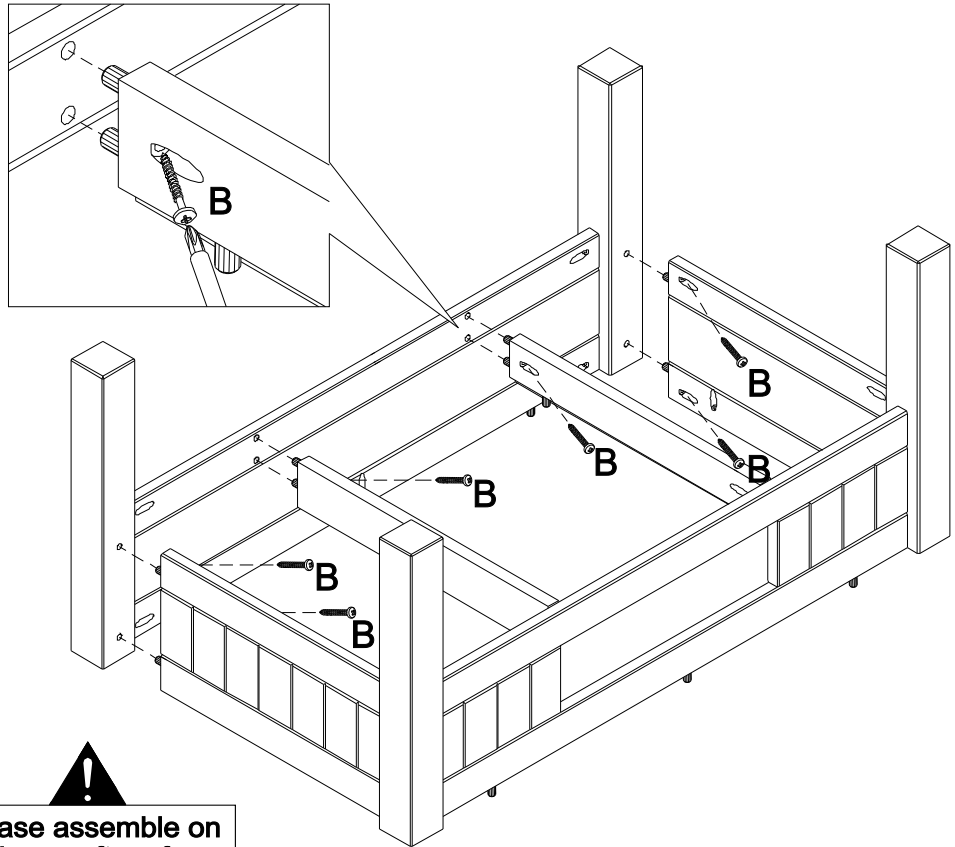
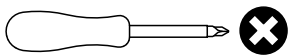
**PARTS REQUIRED**



**HARDWARE REQUIRED**



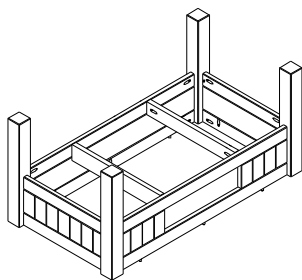
**TOOLS REQUIRED**



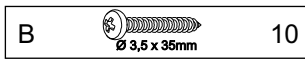
**!**  
Please assemble on a clean soft surface to avoid damage.

# STEP 6

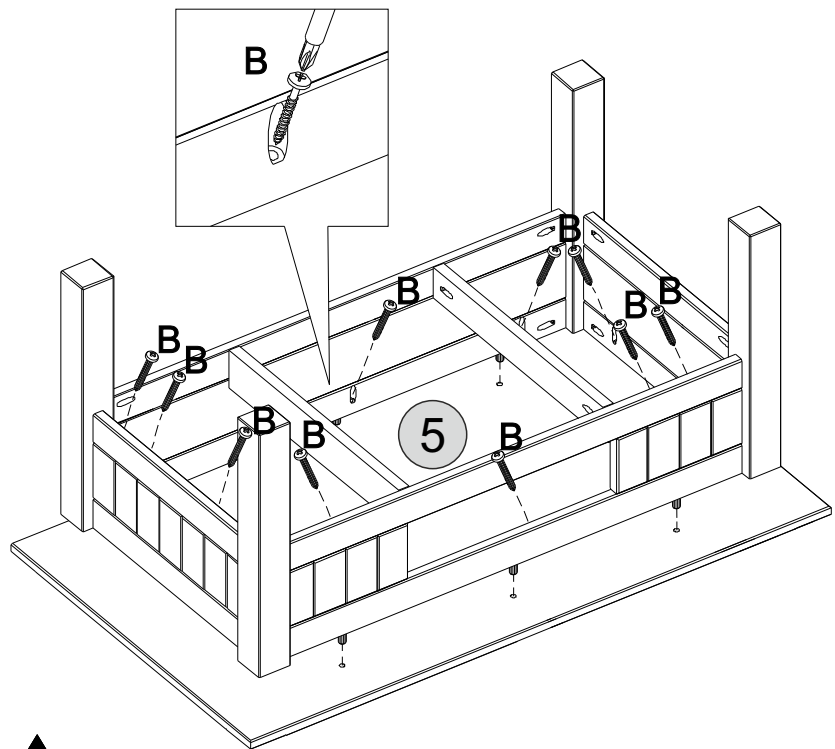
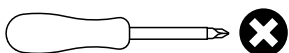
**PARTS REQUIRED**



**HARDWARE REQUIRED**



**TOOLS REQUIRED**



**!**  
Please assemble on a clean soft surface to avoid damage.

# STEP 7

## PARTS REQUIRED

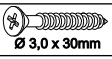
8 - DRAWER FRONT x1

9 - DRAWER SIDE x2

10 - DRAWER BOTTOM x1

11 - DRAWER BACK x1

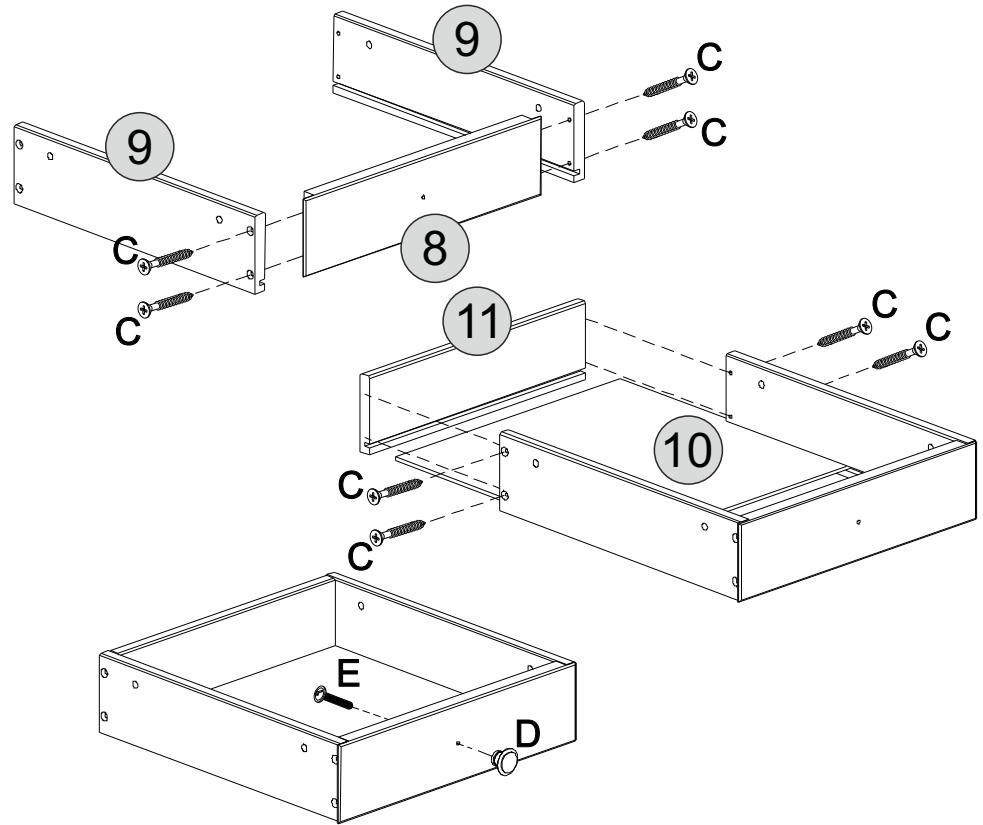
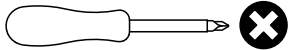
## HARDWARE REQUIRED


C  08  
Ø 3,0 x 30mm

D  01

E  01  
M4 x 25mm

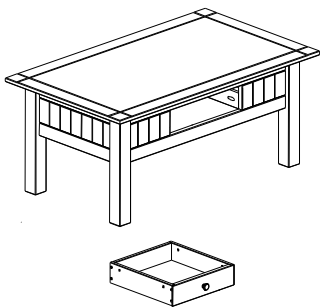
## TOOLS REQUIRED




 Please assemble on a clean soft surface to avoid damage.

# STEP 8

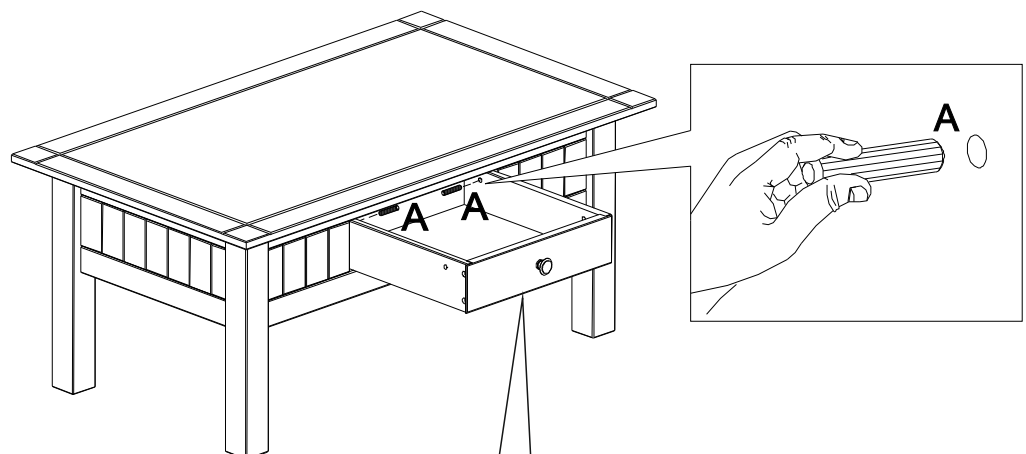
## PARTS REQUIRED



## HARDWARE REQUIRED

A  02  
Ø 8 x 30mm

## TOOLS REQUIRED



For your future reference order number should be here

 Please assemble on a clean soft surface to avoid damage.