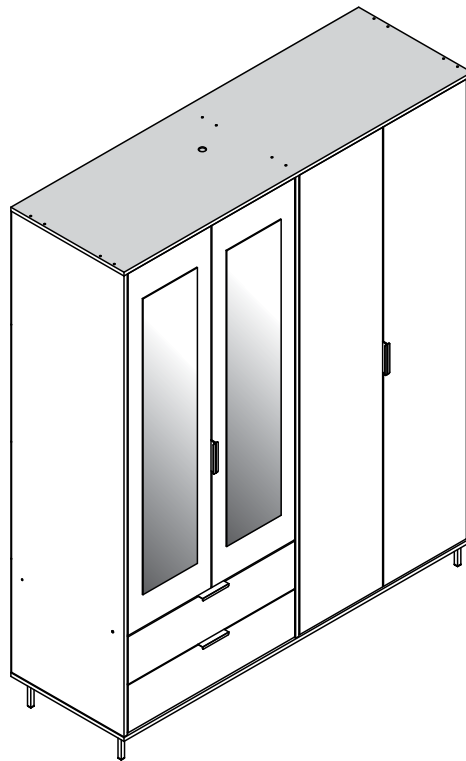


MADRID 4 DOOR 2 DRAWER WARDROBE ASSEMBLY INSTRUCTIONS



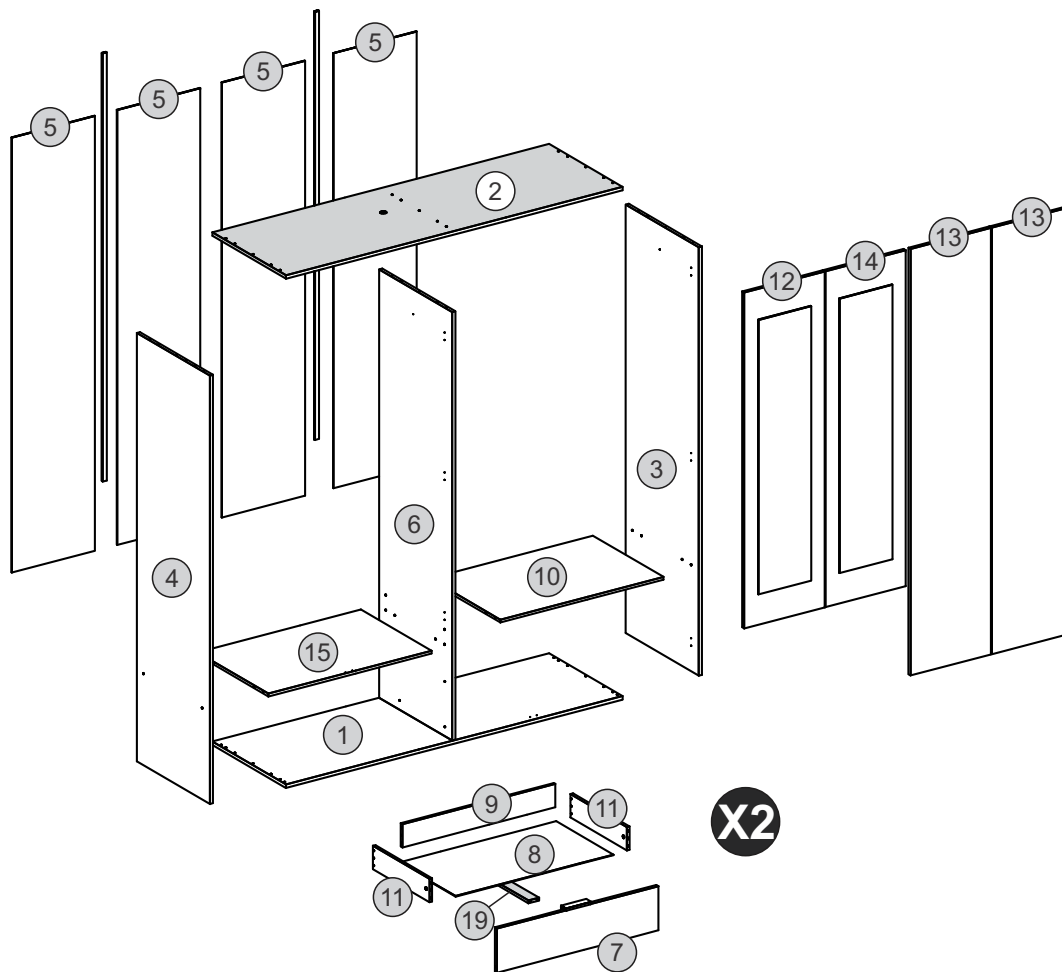
IMPORTANT FOR DOMESTIC USE ONLY

PLEASE READ BEFORE YOU CONTINUE FURTHER

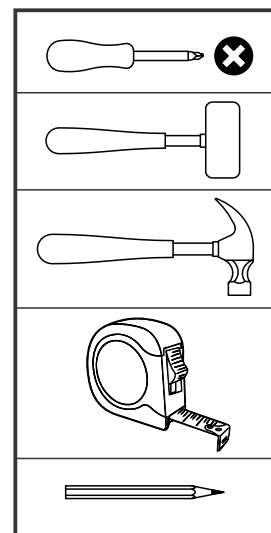
CARE AND MAINTENANCE

After unpacking this product please keep the original packaging in case it needs to be returned for any reason.

- Please ensure all fittings and parts are present before commencing with assembly.
- Never drag or push products as this could cause damage to the joints making it inferior.
- We strongly recommend that you keep children away from your work area.
- We recommend that you lay a blanket or sheet on the floor to avoid damage to both your floor and the product.
- Assemble this product as close to its final position as possible.
- Do not place this product next to a radiator or in direct sunlight.
- Do not drag or push items across your high gloss furniture as this may cause the surface to scratch
- Wood is a natural product and may expand if subjected to damp and may shrink or crack if subjected to heat. Therefore it is recommended that room temperature is maintained, with no sudden temperature fluctuations.
- Make sure any spillage is wiped off immediately.
- Do not place hot or chilled items directly on to the surface, use a place mat or marking will occur.
- For general cleaning use a soft cotton or micro fibre cloth, and do not use detergents of any kind.
- From time to time it may be necessary to tighten fittings, regular inspections should be carried out.
- Do not place on a wet or damp floor as staining may occur to your floor.



TOOLS REQUIRED

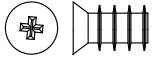
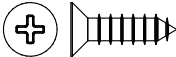

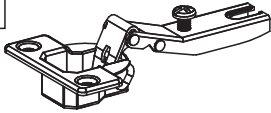
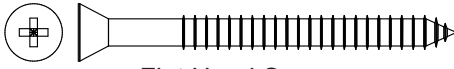
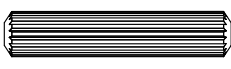

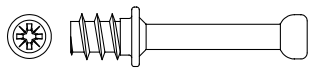
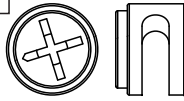
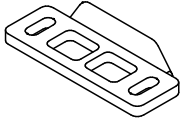
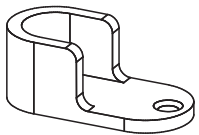


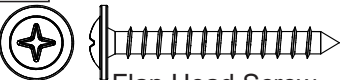
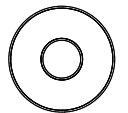
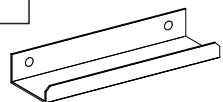
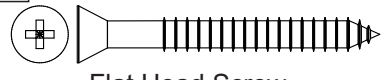
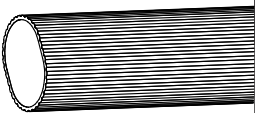

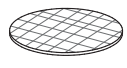
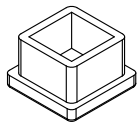
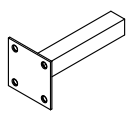
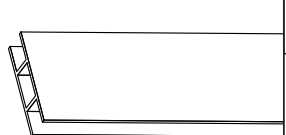
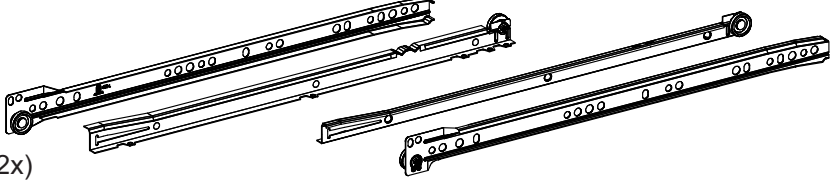
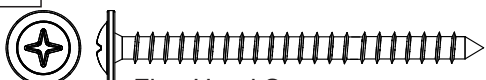
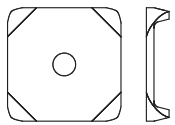


PARTS LIST

Please Note:
The below parts have all been stamped with the part number to help identify them during assembly.

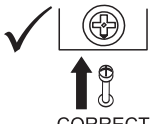
Part Number	Part Code	Part Description	Quantity	Carton
1	S100-101-187-CA1-01	Base Panel	1	2/3
2	S100-101-187-CA1-02	Top Panel	1	2/3
3	S100-101-187-CA1-03	Right Side Panel	1	1/3
4	S100-101-187-CA1-04	Left Side Panel	1	1/3
5	S100-101-187-CA1-05	Back Panel	4	1/3
6	S100-101-187-CA1-06	Division Panel	1	1/3
7	S100-101-187-CA1-07	Drawer Front	2	3/3
8	S100-101-187-CA1-08	Drawer Bottom	2	2/3
9	S100-101-187-CA1-09	Drawer Back Panel	2	2/3
10	S100-101-187-CA1-10	Shelf	1	2/3
11	S100-101-187-CA1-11	Drawer Side	4	2/3
12	S100-101-187-CA1-12	Left Small Door	1	3/3
13	S100-101-187-CA1-13	Large Door	2	3/3
14	S100-101-187-CA1-14	Right Small Door	1	3/3
15	S100-101-187-CA1-15	Drawer Top	1	2/3
19	S100-101-187-CA1-19	Drawer Crossbar	2	2/3

FITTINGS LIST

<p>A</p>  <p>Flat Head Screw Ø6,0 x 10mm (8x)</p> <p>+1</p>	<p>B</p>  <p>Flat Head Screw Ø4,0 x 14mm (100x)</p> <p>+2</p>	<p>C</p>  <p>Hinge Plate (12x)</p>	<p>D</p>  <p>Hinge (12x)</p>	
<p>E</p>  <p>Flat Head Screw Ø4,0 x 50mm (26x)</p> <p>+2</p>	<p>F</p>  <p>Dowel Ø6,0 x 30mm (40x)</p> <p>+2</p>	<p>G</p>  <p>Nail 10 x 10 (118x)</p> <p>+2</p>	<p>H</p>  <p>Cam Bolt (4x)</p> <p>+1</p>	
<p>I</p>  <p>Cam Nut (4x)</p> <p>+1</p>	<p>J</p>  <p>Door Stop (4x)</p> <p>+1</p>	<p>K</p>  <p>Hanging Rail Support (4x)</p> <p>+1</p>	<p>L</p>  <p>Glue (1x)</p>	<p>M</p>  <p>Strap (2x)</p>
<p>N</p>  <p>Flan Head Screw Ø3,5 x 30mm (2x)</p> <p>+1</p>	<p>O</p>  <p>Washer (4x)</p> <p>+1</p>	<p>P</p>  <p>Handle (6x)</p>	<p>Q</p>  <p>Flat Head Screw Ø3,5 x 40mm (4x)</p> <p>+1</p>	
<p>R</p>  <p>Hanging Rail (2x)</p>	<p>S</p>  <p>Hole Plugs (4x)</p> <p>+2</p>	<p>T</p>  <p>Hole Plugs (8x)</p> <p>+2</p>	<p>U</p>  <p>Internal Tip (5x)</p> <p>+1</p>	<p>V</p>  <p>Tubular foot (5x)</p>
<p>X</p>  <p>Back Panel Strip (2x)</p>	<p>Y</p>  <p>Drawer Runners (2x)</p>			
<p>Z</p>  <p>Flan Head Screw Ø4 x 50mm (8x)</p> <p>+1</p>	<p>A1</p>  <p>Back Panel Bracket (18x)</p> <p>+2</p>			

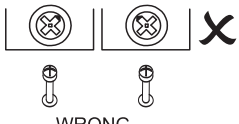
TIPS FOR FITTINGS CAM-LOCKS

WHEN FITTING CAM NUT, ENSURE STARTING POSITION IS CORRECT BEFORE YOU INSERT CONNECTING CAM BOLT TURN CLOCKWISE UNTIL SECURE



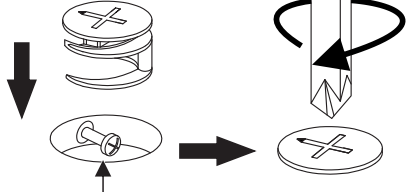
↑

CORRECT

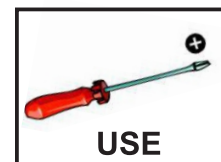


↑

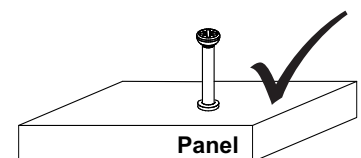
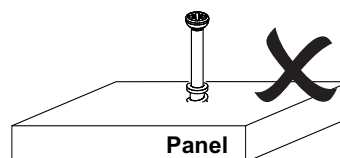
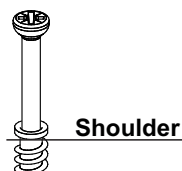
WRONG



Cam bolt head needs to be in centre



CAMBOLT
Tighten until shoulder in flush with panel. Do not overtighten or undertighten (see example beside)



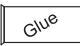



STEP 1

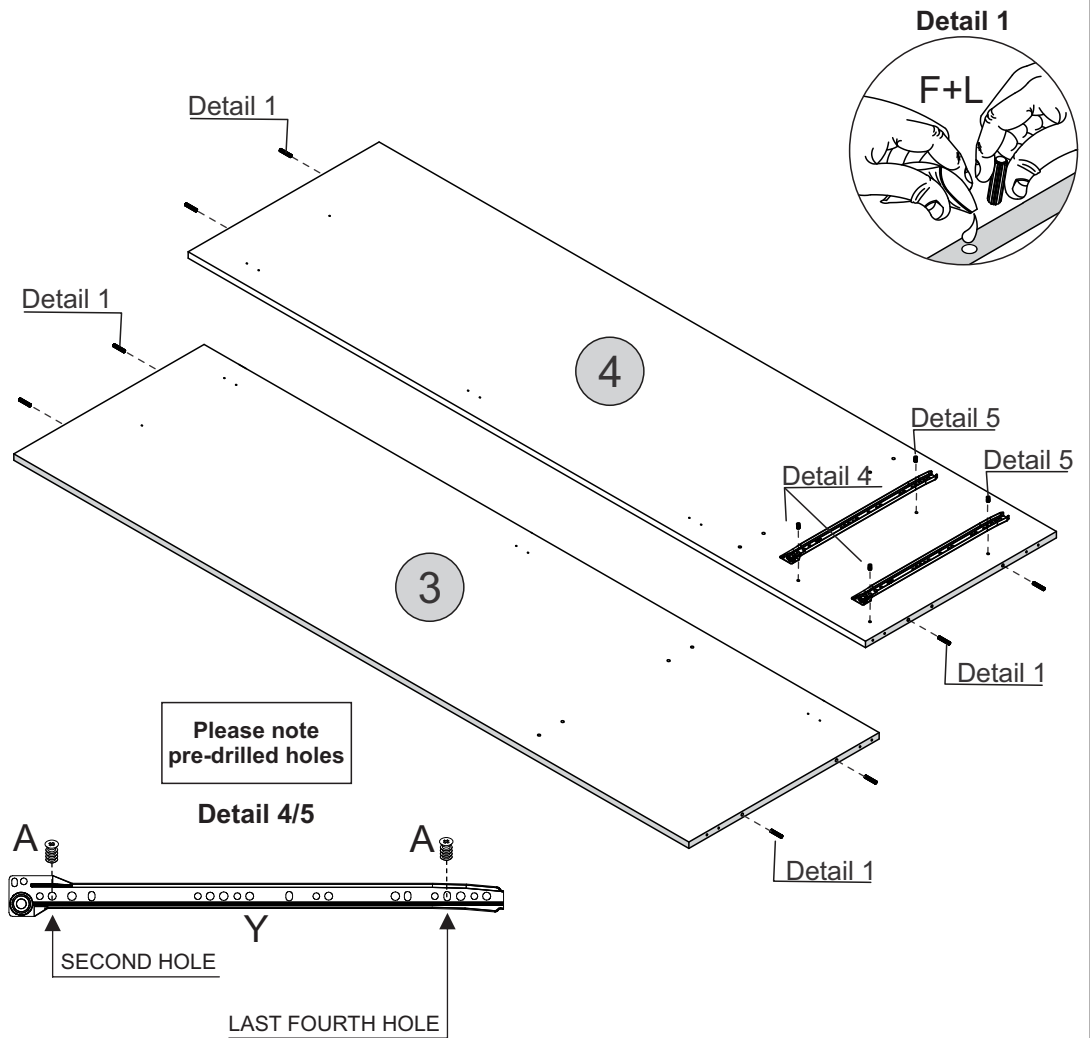
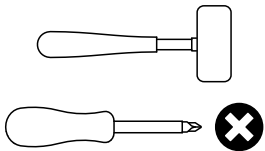
PARTS REQUIRED

3 - RIGHT SIDE PANEL	x1
4 - LEFT SIDE PANEL	x1

HARDWARE REQUIRED

A	 04 Ø6,0 x 10mm
F	 08
L	 01 Glue
Y	 02

TOOLS REQUIRED

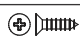




STEP 2

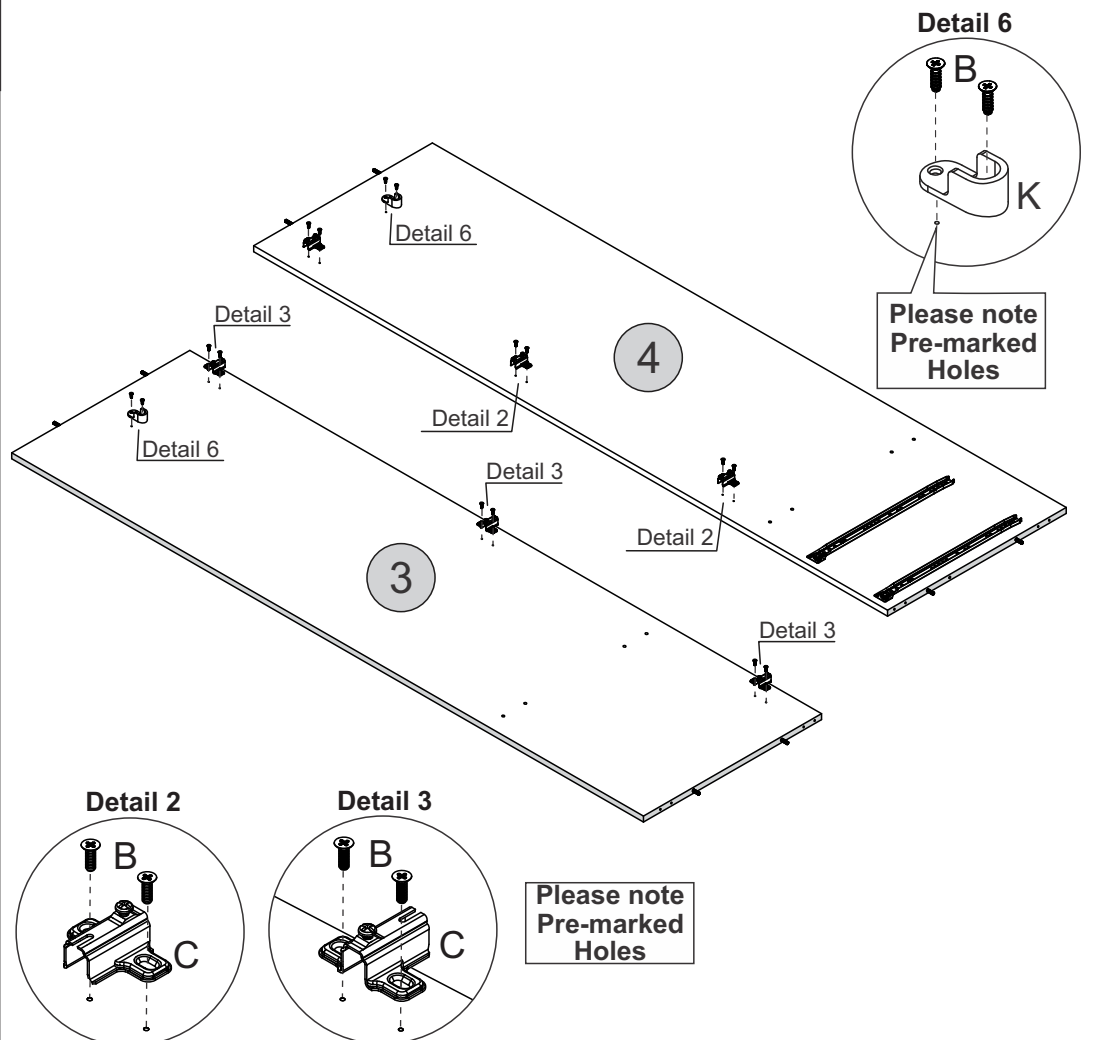
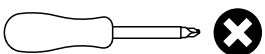
PARTS REQUIRED

3 - RIGHT SIDE PANEL	x1
4 - LEFT SIDE PANEL	x1

HARDWARE REQUIRED

B	 16 Ø4,0 x 14mm
C	 06
K	 02

TOOLS REQUIRED







STEP 3

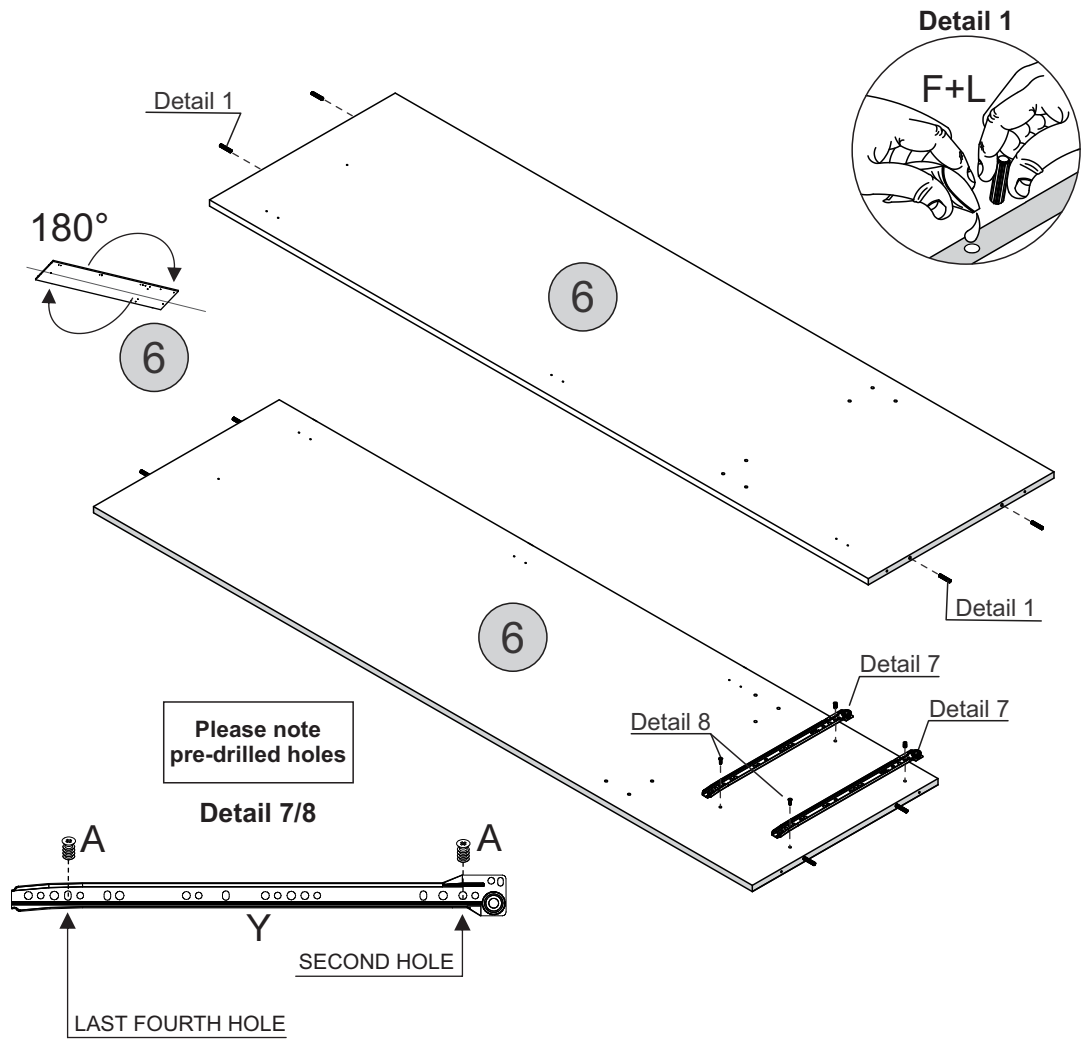
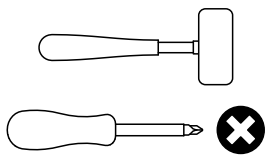
PARTS REQUIRED

6 - DIVISION PANEL x1

HARDWARE REQUIRED

- A  04
Ø6,0 x 10mm
- F  04
- L  01
Glue
- Y  02

TOOLS REQUIRED






STEP 4

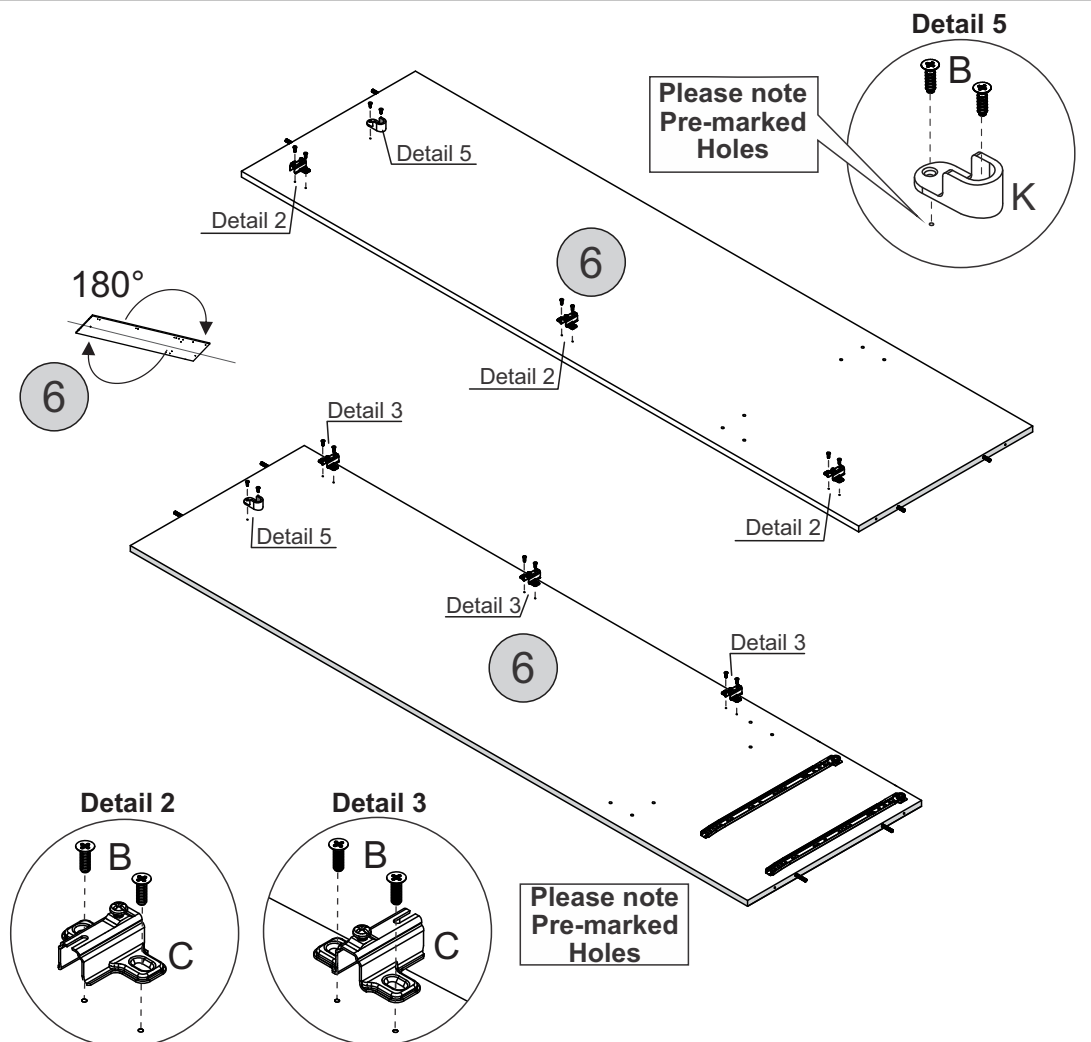
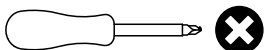
PARTS REQUIRED

6 - DIVISION PANEL x1

HARDWARE REQUIRED

- B  16
Ø4,0 x 14mm
- C  06
- K  02

TOOLS REQUIRED




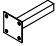


STEP 5

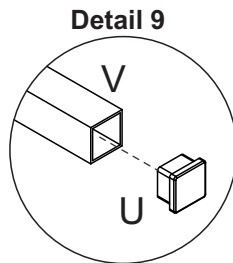
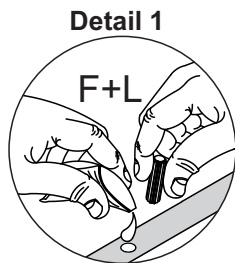
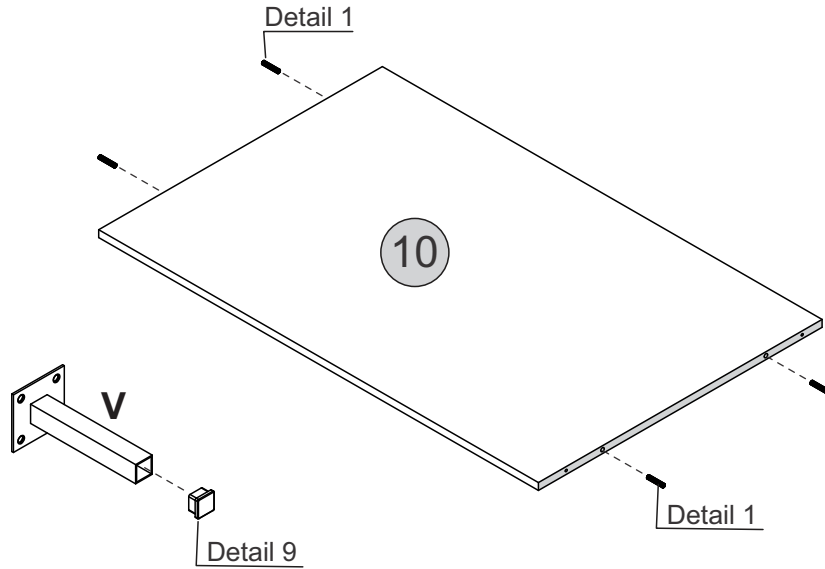
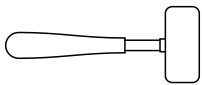
PARTS REQUIRED

10 - SHELF x1

HARDWARE REQUIRED

F		04
L		01
U		05
V		05

TOOLS REQUIRED







STEP 6

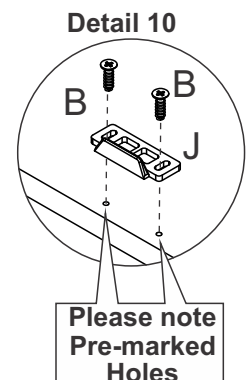
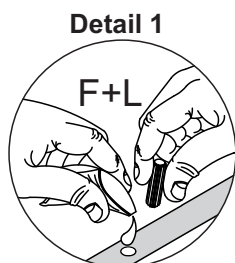
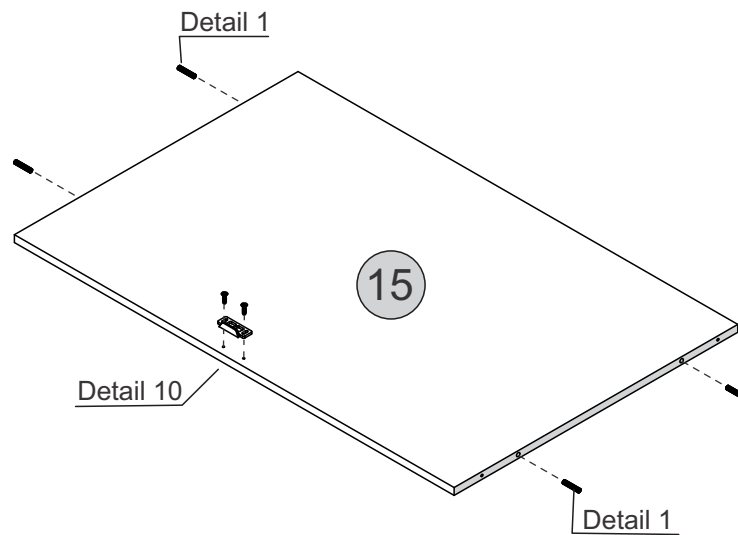
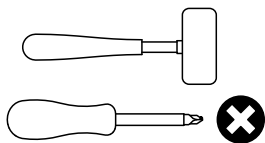
PARTS REQUIRED

15 - DRAWER TOP x1

HARDWARE REQUIRED

B	 Ø4,0 x 14mm	02
F		04
L		01
J		01

TOOLS REQUIRED




STEP 7

PARTS REQUIRED

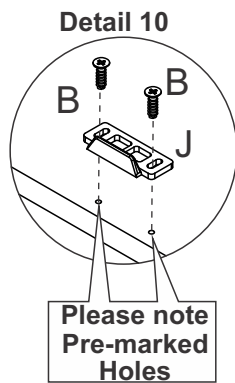
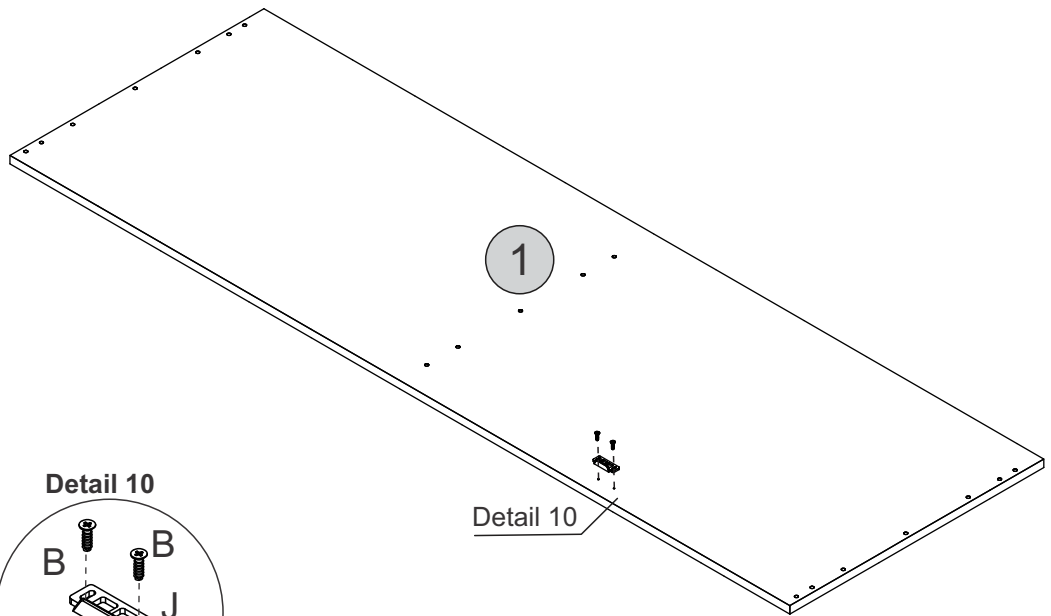
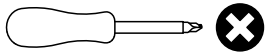
1 - BASE PANEL x1

HARDWARE REQUIRED

B  02
Ø4,0 x 14mm

J  01

TOOLS REQUIRED




STEP 8

PARTS REQUIRED

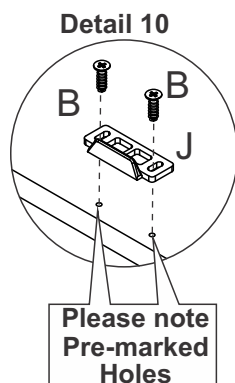
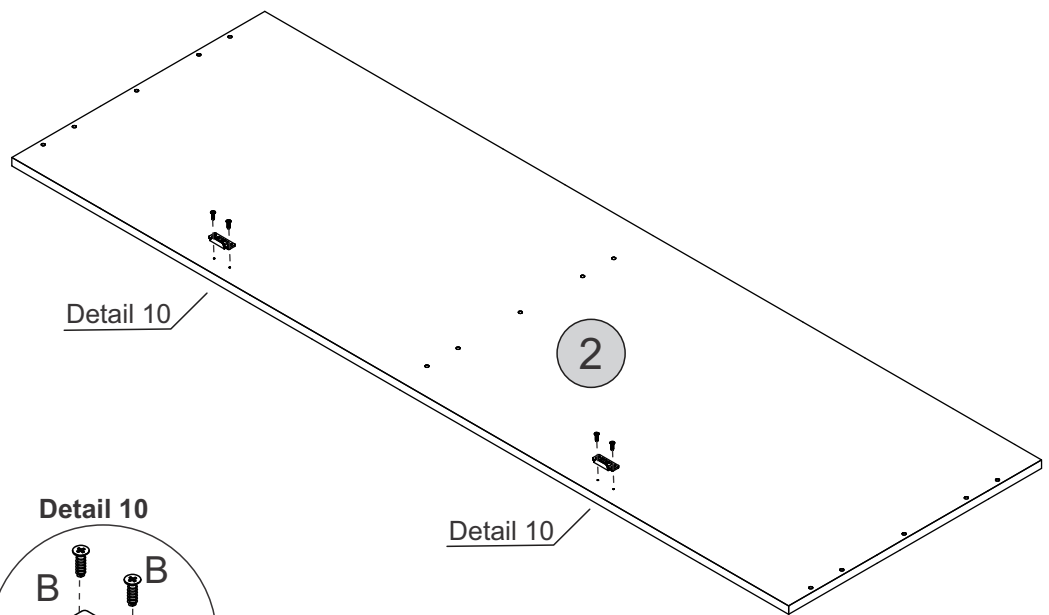
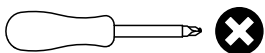
2 - TOP PANEL x1

HARDWARE REQUIRED

B  04
Ø4,0 x 14mm

J  02

TOOLS REQUIRED



STEP 9

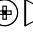
PARTS REQUIRED

3 - RIGHT SIDE PANEL x1

6 - DIVISION PANEL x1

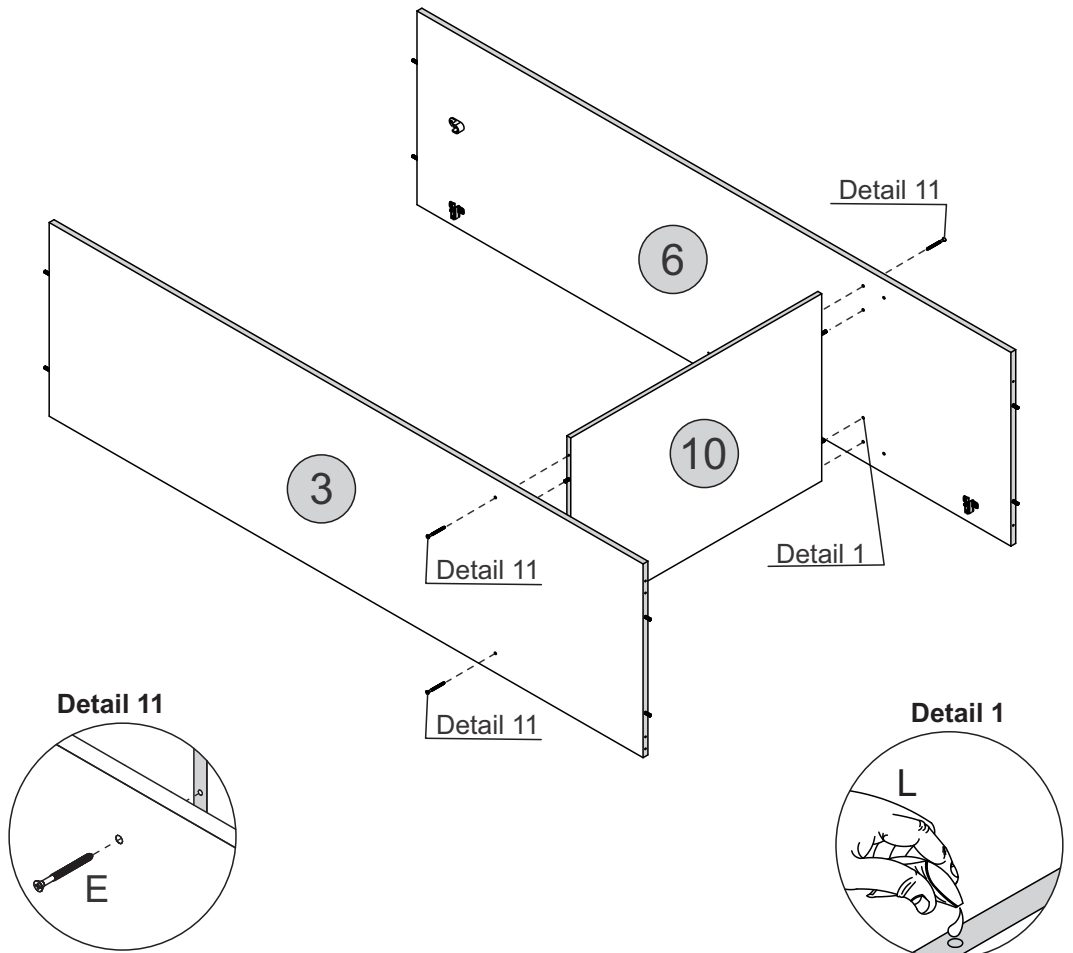
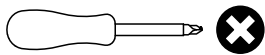
10 - SHELF x1

HARDWARE REQUIRED

E  $\varnothing 4,0 \times 50\text{mm}$ 04

L  01

TOOLS REQUIRED

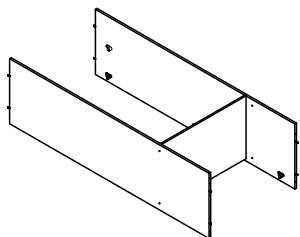


STEP 10


PARTS REQUIRED

4 - LEFT SIDE PANEL x1

15 - DRAWER TOP x1

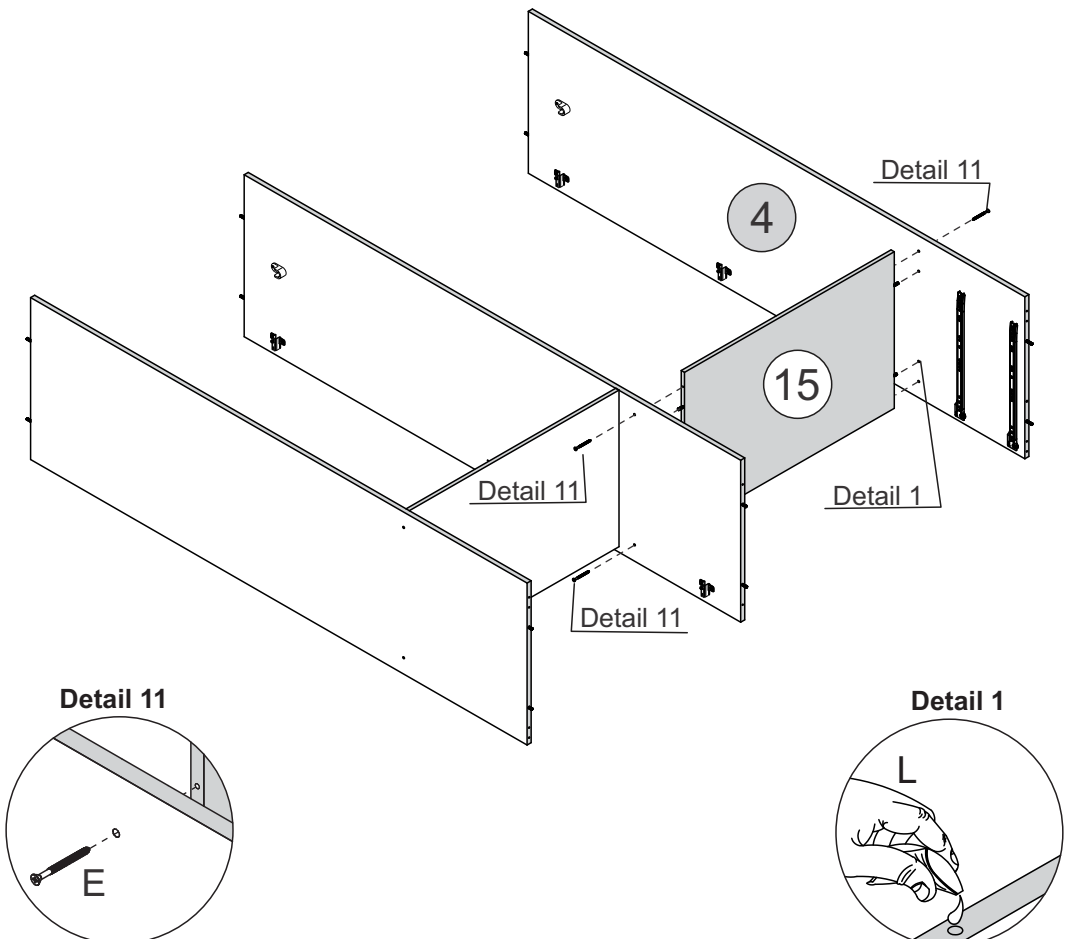
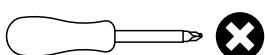


HARDWARE REQUIRED

E  $\varnothing 4,0 \times 50\text{mm}$ 04

L  01

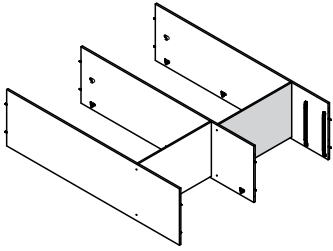
TOOLS REQUIRED





STEP 11

PARTS REQUIRED

2 - TOP PANEL x1

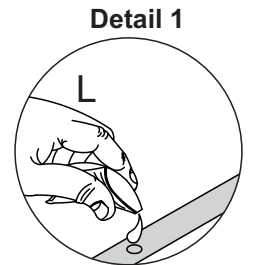
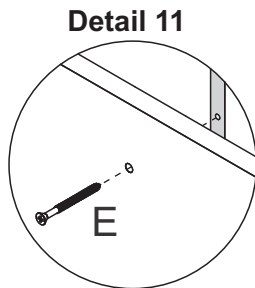
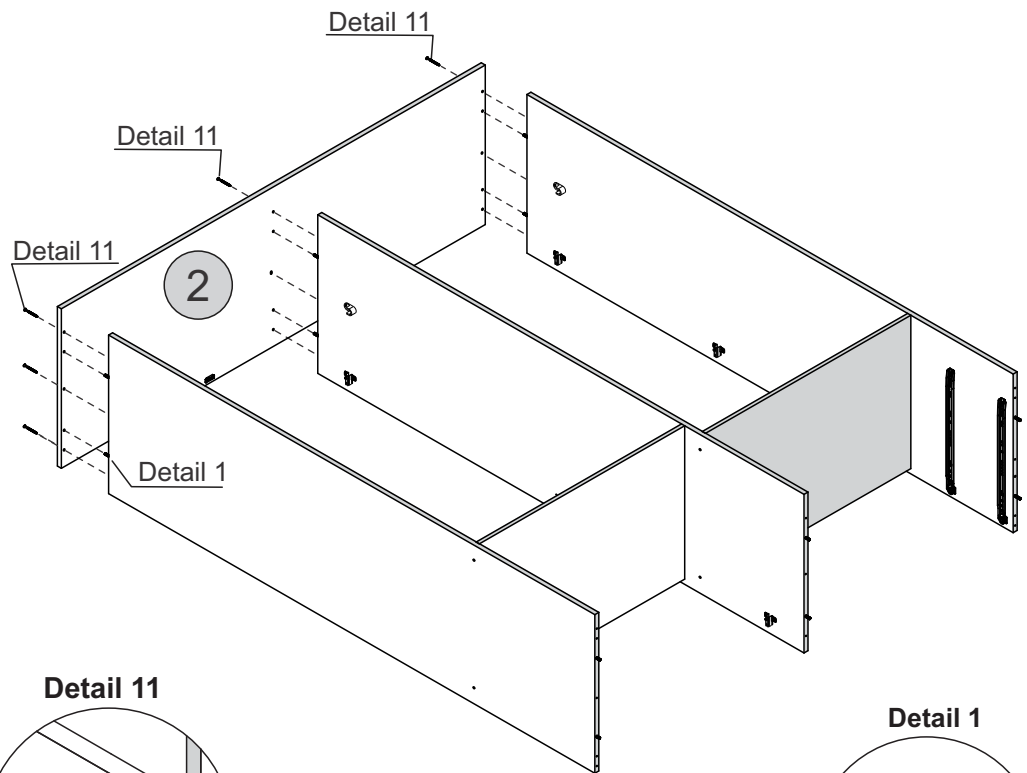
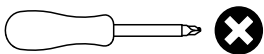


HARDWARE REQUIRED

E   09
Ø4,0 x 50mm

L  01

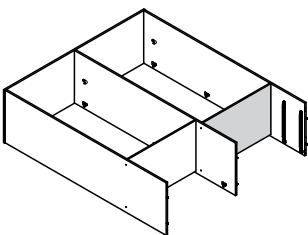
TOOLS REQUIRED




STEP 12

PARTS REQUIRED

1 - BASE PANEL x1

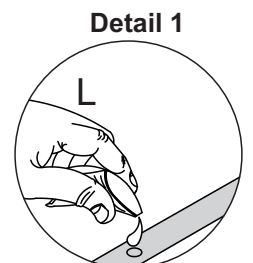
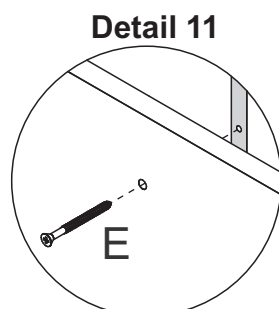
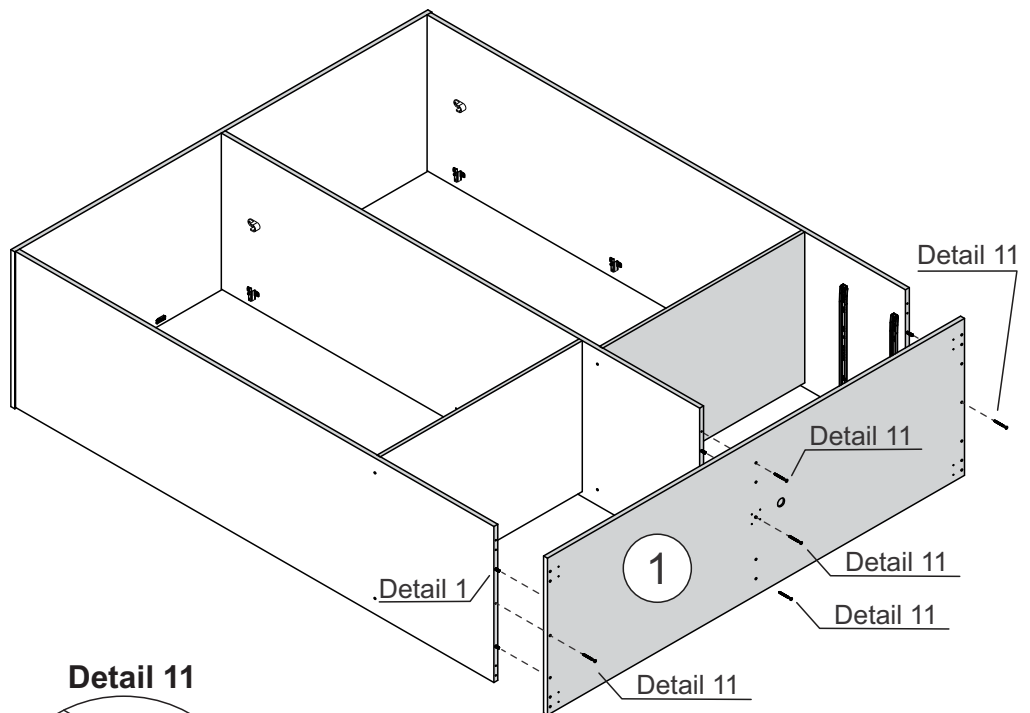
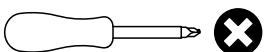


HARDWARE REQUIRED

E   05
Ø4,0 x 50mm

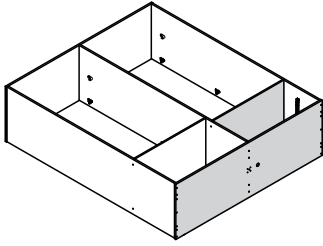
L  01

TOOLS REQUIRED

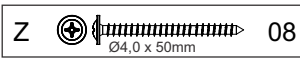
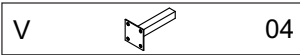


STEP 13

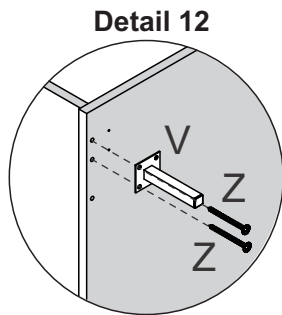
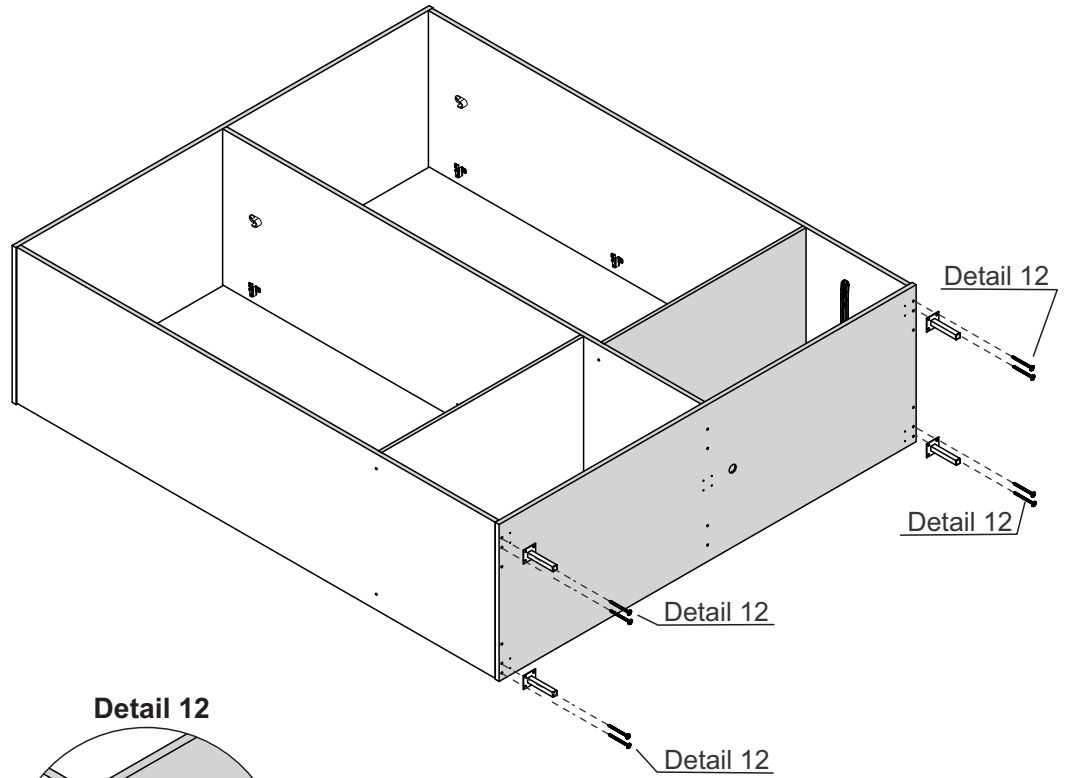
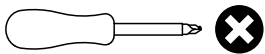
PARTS REQUIRED



HARDWARE REQUIRED

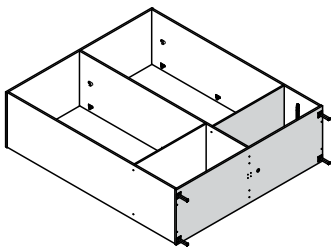


TOOLS REQUIRED

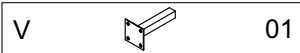


STEP 14

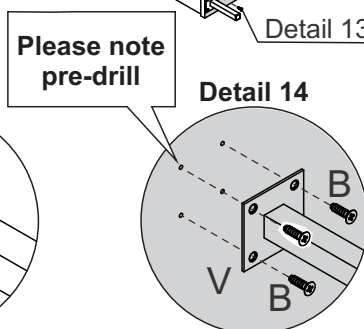
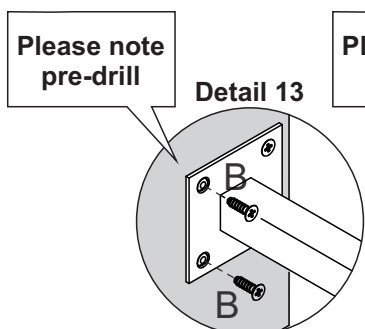
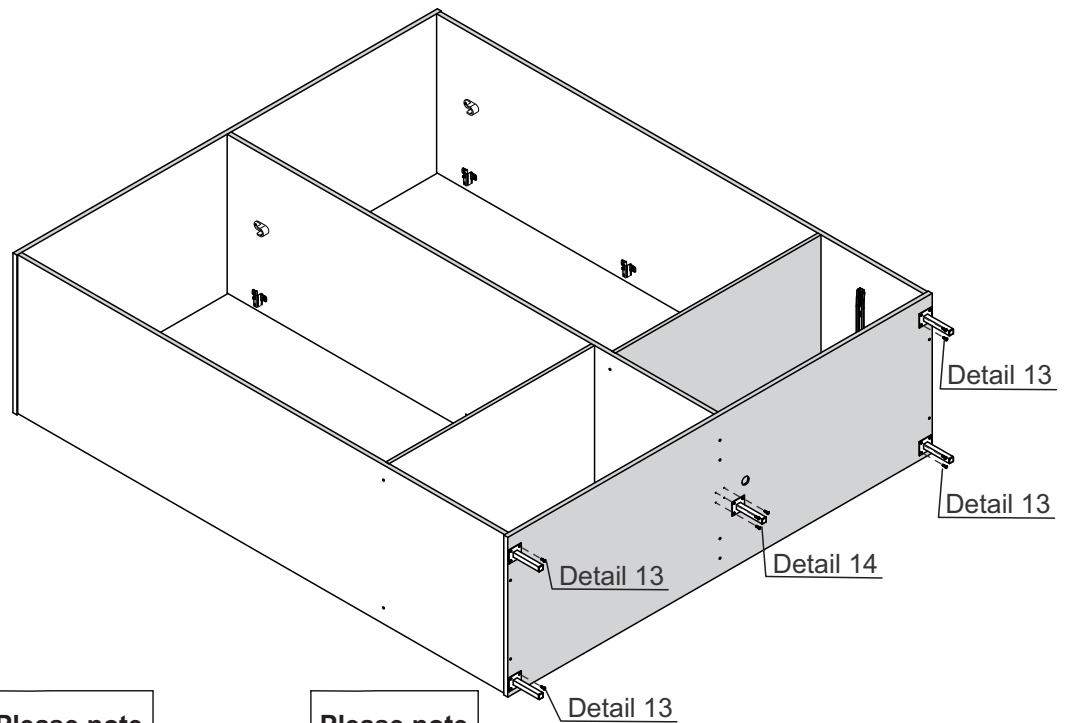
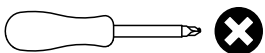
PARTS REQUIRED



HARDWARE REQUIRED



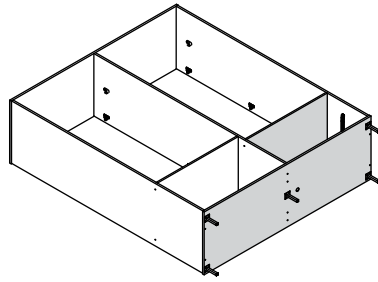
TOOLS REQUIRED



STEP 15

PARTS REQUIRED

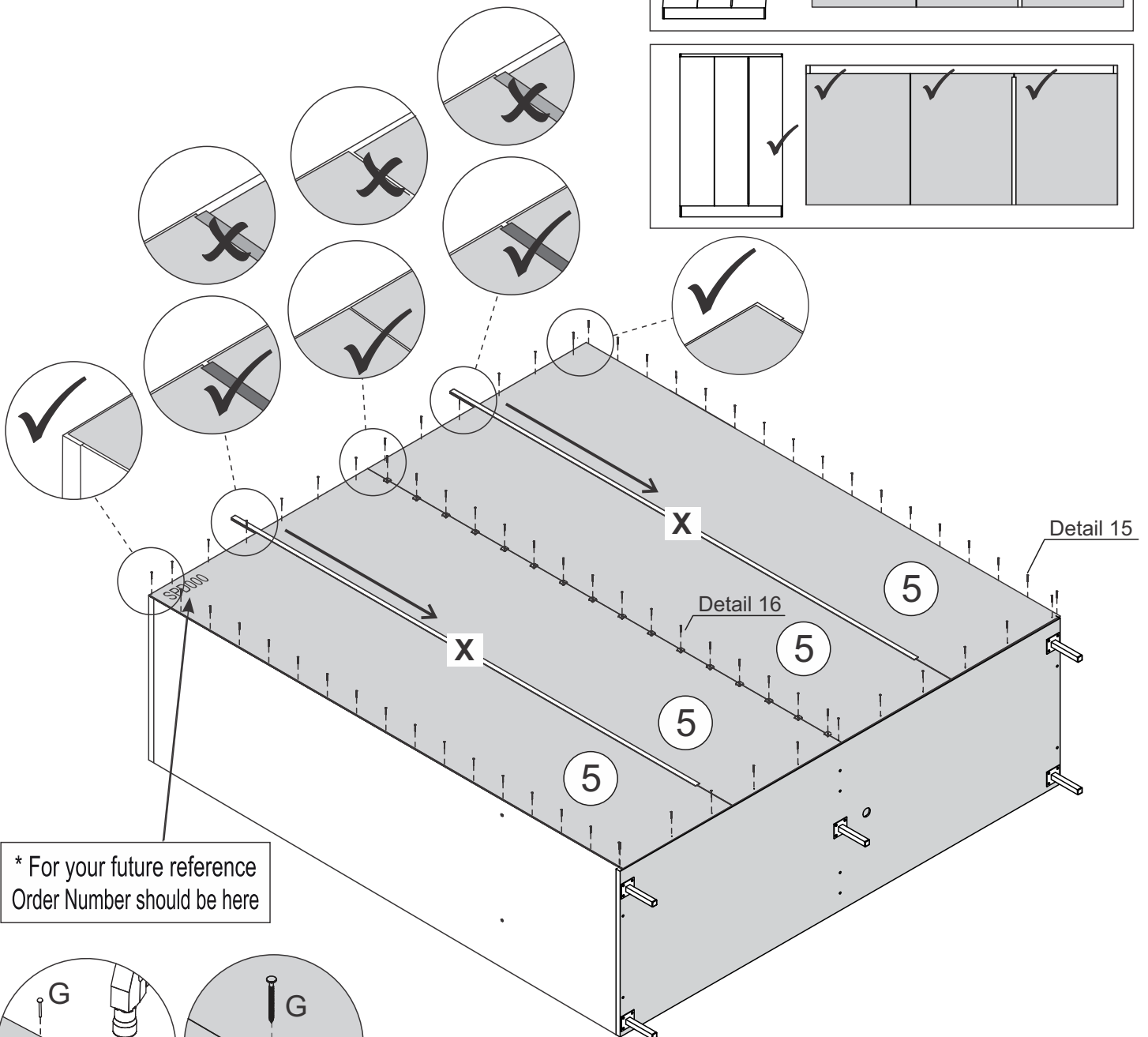
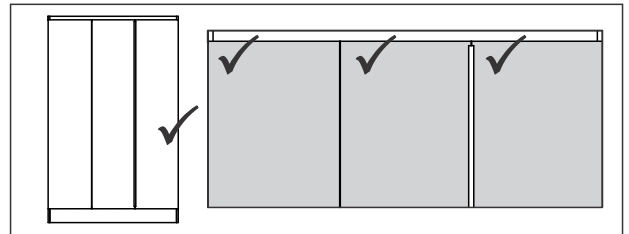
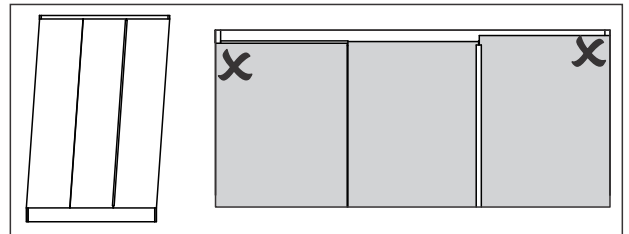
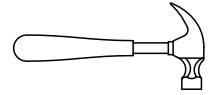
5 - BACK PANEL x4



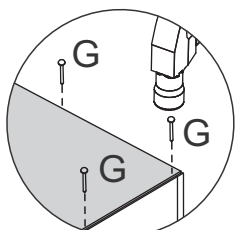
HARDWARE REQUIRED

G		86
X		02
A1		18

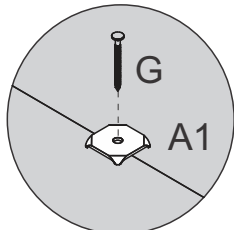
TOOLS REQUIRED



* For your future reference
Order Number should be here



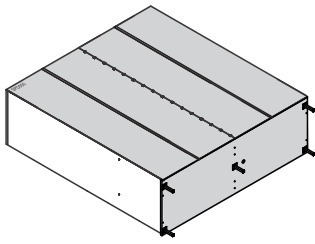
Detail 15



Detail 16

STEP 16

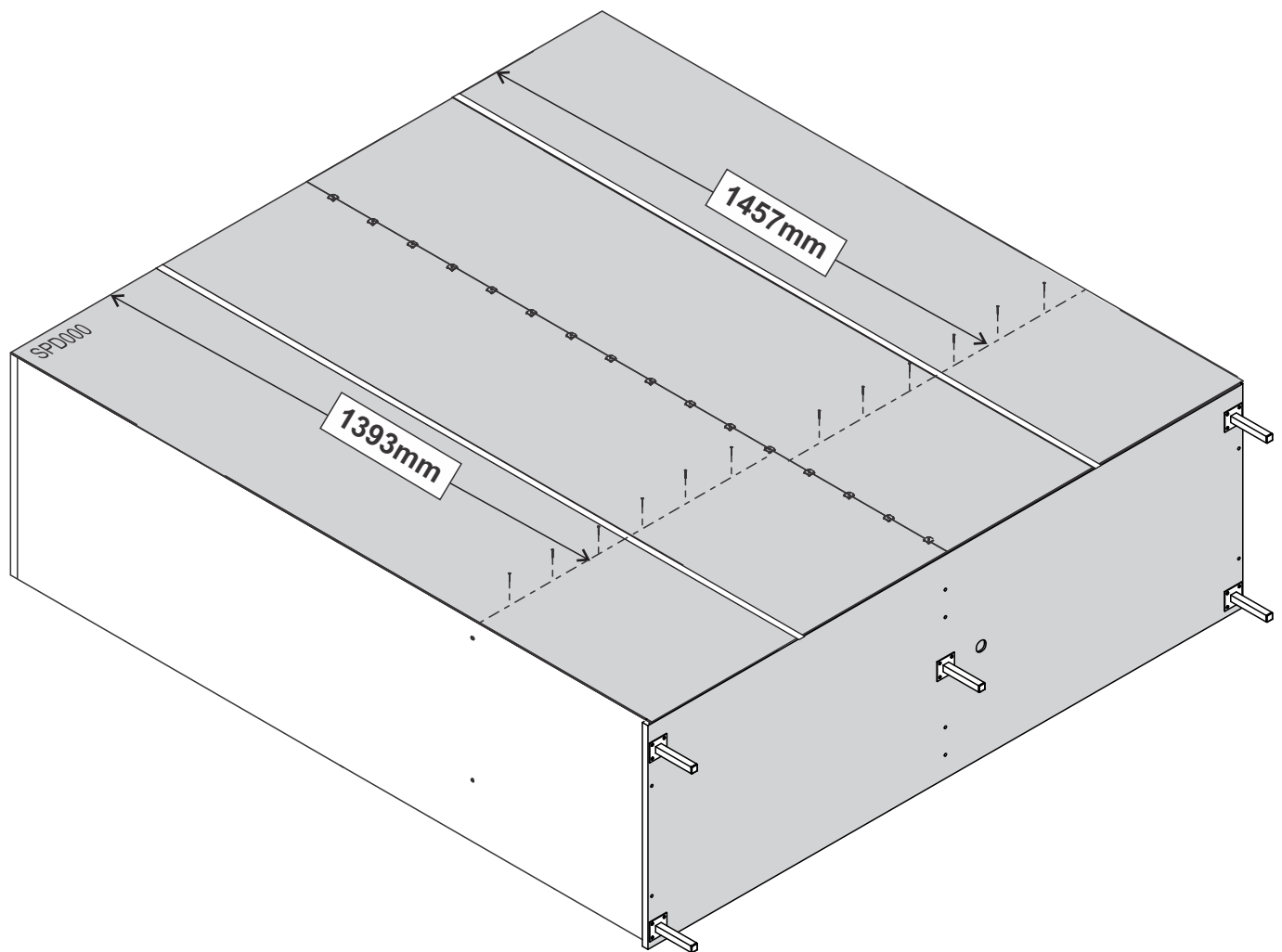
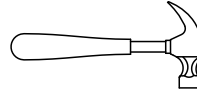
PARTS REQUIRED



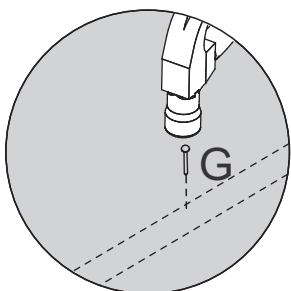
HARDWARE REQUIRED

G  12

TOOLS REQUIRED

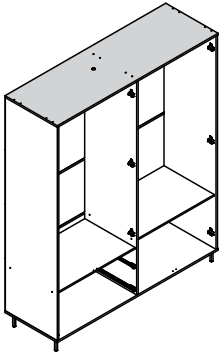


Detail 15



STEP 17

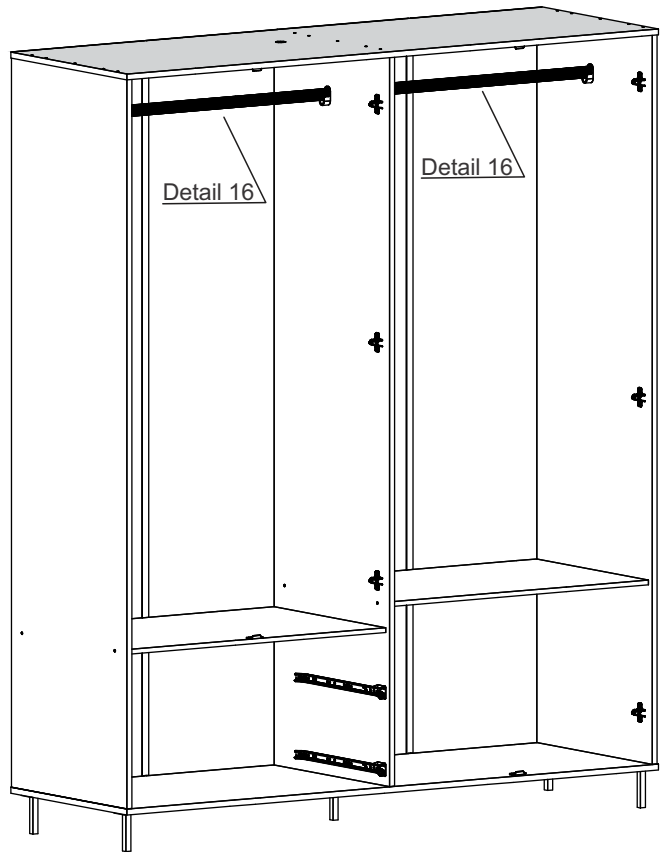
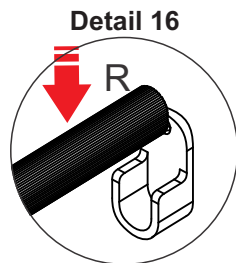
PARTS REQUIRED



HARDWARE REQUIRED



TOOLS REQUIRED



STEP 18

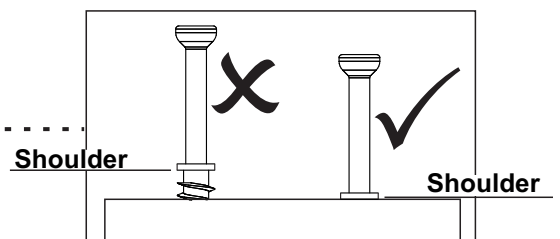
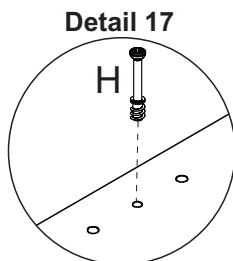
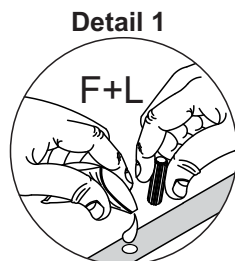
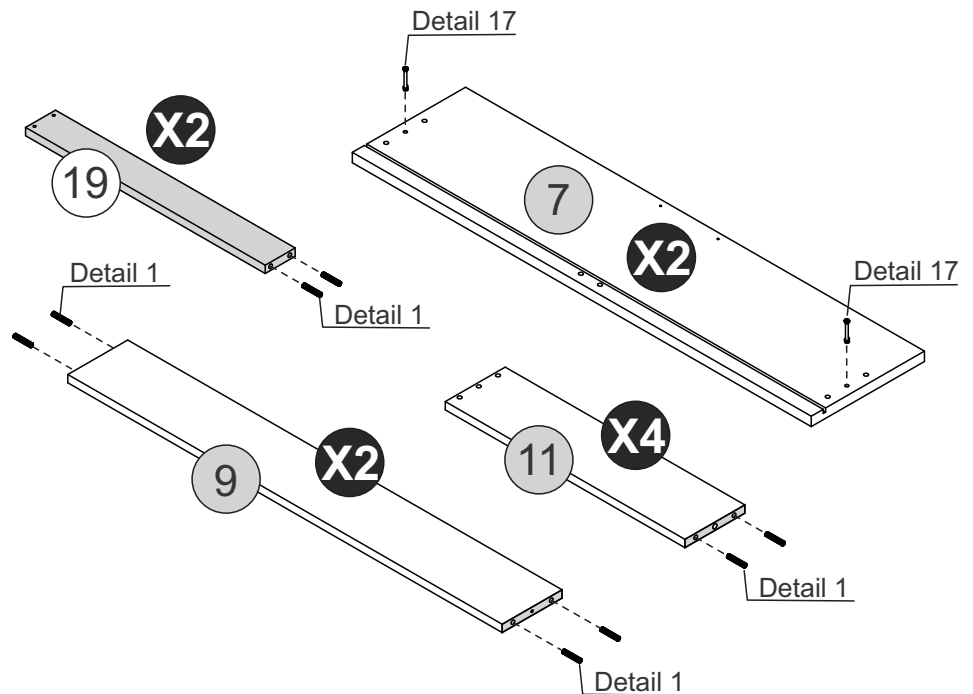
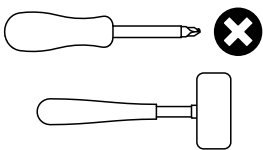
PARTS REQUIRED

7 - DRAWER FRONT	x2
9 - DRAWER BACK PANEL	x2
11 - DRAWER SIDE PANEL	x4
19 - DRAWER REINFORCEMENT	x2

HARDWARE REQUIRED

F		20
H		04
L		01

TOOLS REQUIRED



STEP 19


X2

PARTS REQUIRED

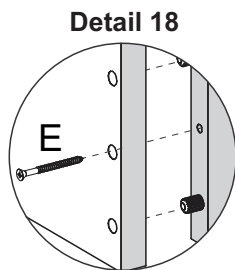
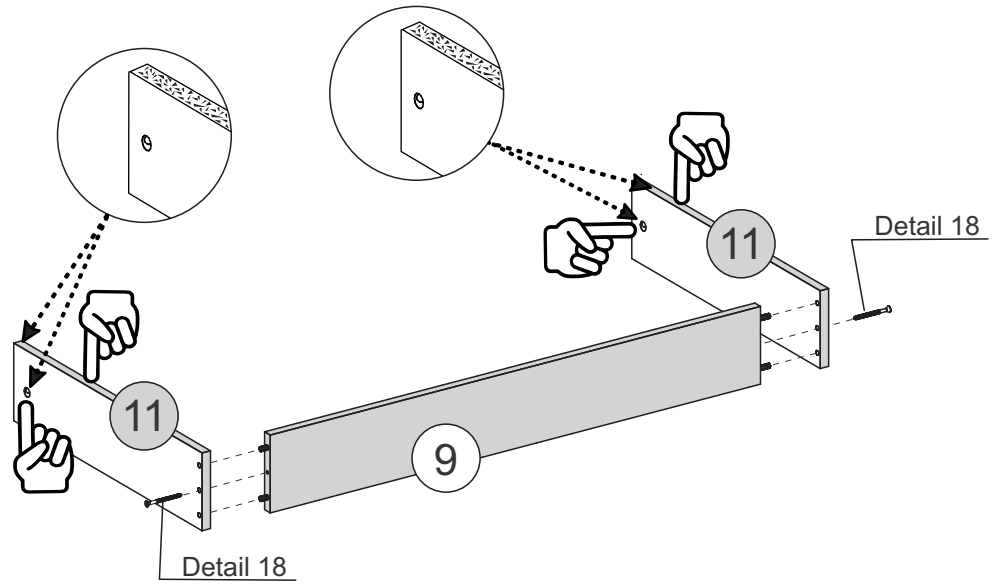
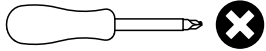
9 - DRAWER BACK x2

11 - DRAWER SIDE PANEL x4

HARDWARE REQUIRED

E  04
Ø4.0 x 50mm

TOOLS REQUIRED

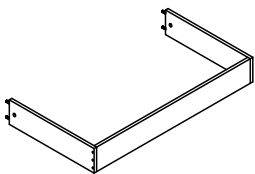


STEP 20

X2

PARTS REQUIRED

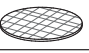
7 - DRAWER FRONT x2



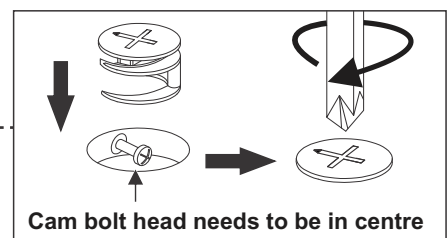
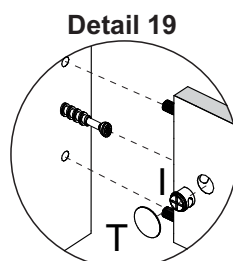
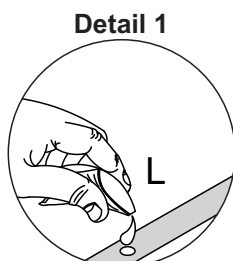
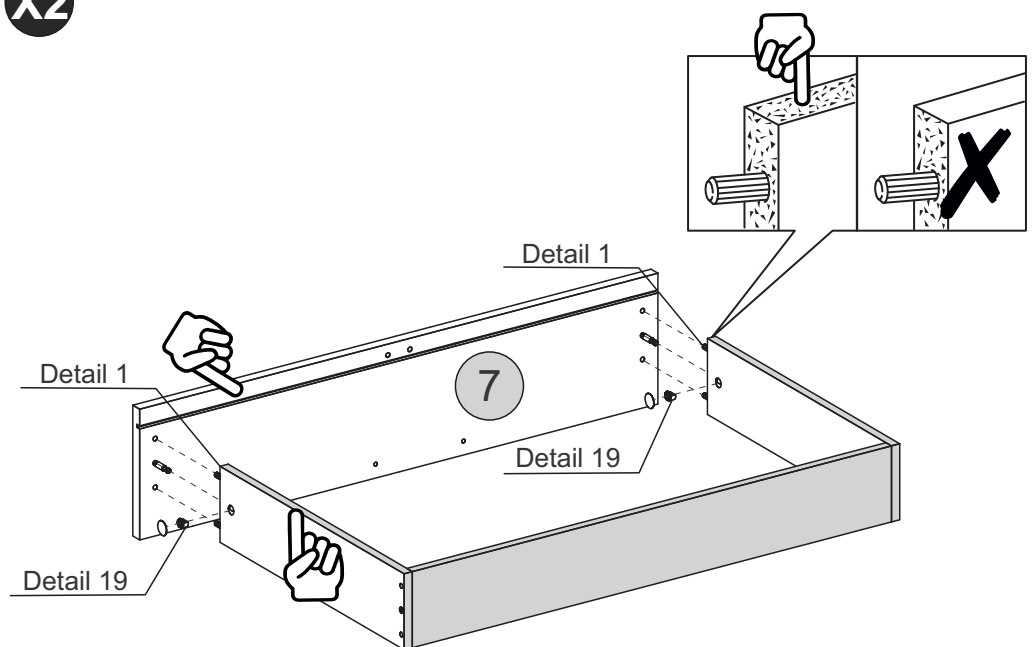
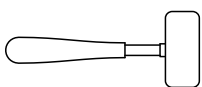
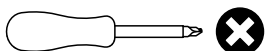
HARDWARE REQUIRED

I  04

L  01

T  04

TOOLS REQUIRED

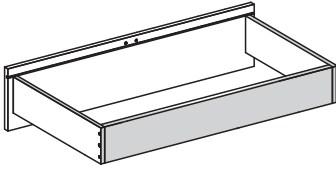


STEP 21

X2

PARTS REQUIRED

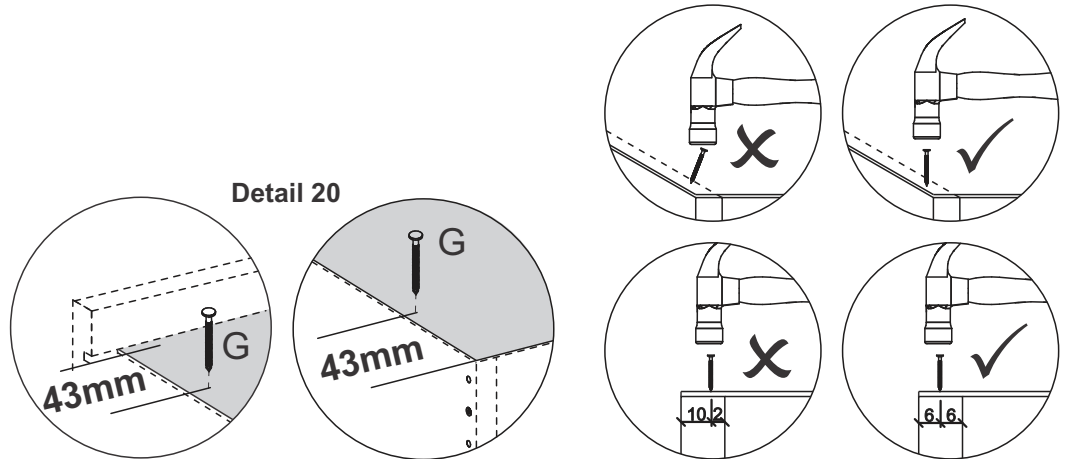
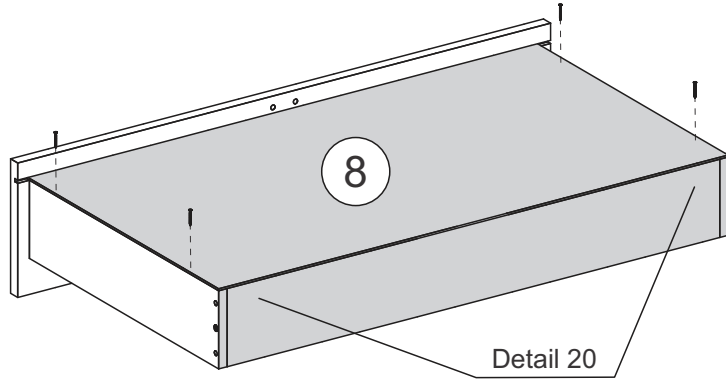
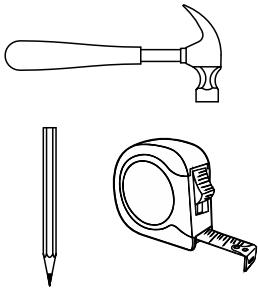
8 - DRAWER BOTTOM x2



HARDWARE REQUIRED

G  08

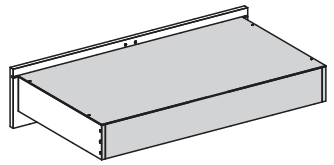
TOOLS REQUIRED



STEP 22

X2

PARTS REQUIRED



19 - DRAWER REINFORCEMENT x2

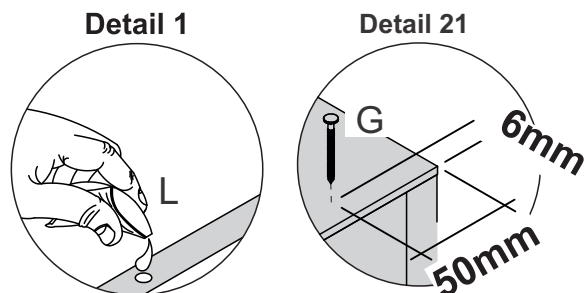
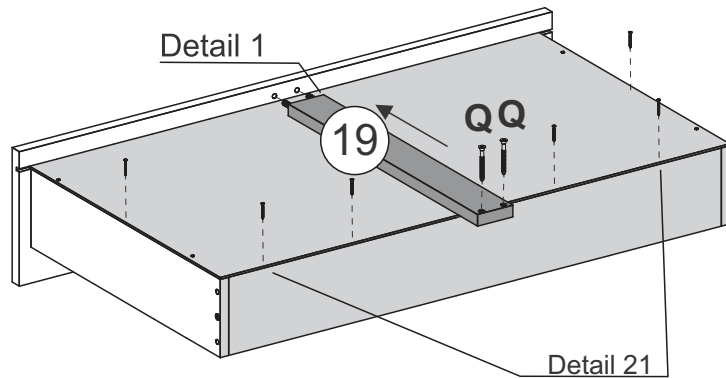
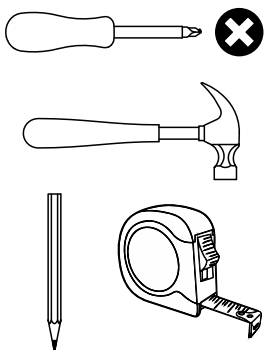
HARDWARE REQUIRED

G  12

L  01

Q  04
Ø3,5 x 40mm

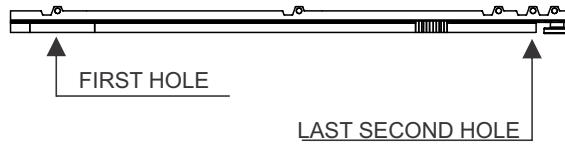
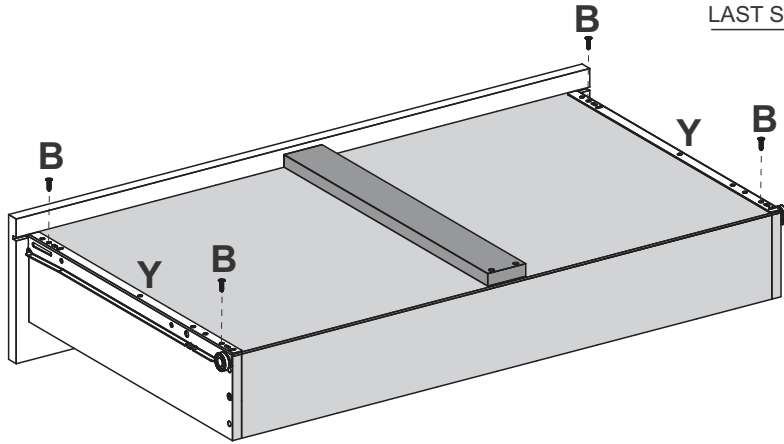
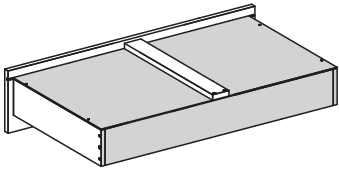
TOOLS REQUIRED




STEP 23

X2

PARTS REQUIRED

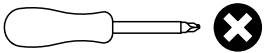


HARDWARE REQUIRED

B		08
Ø4,0 x 14mm		

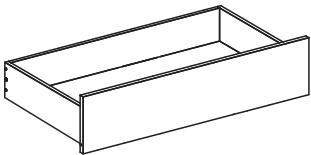
Y		02
---	---	----

TOOLS REQUIRED

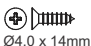


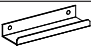
STEP 24

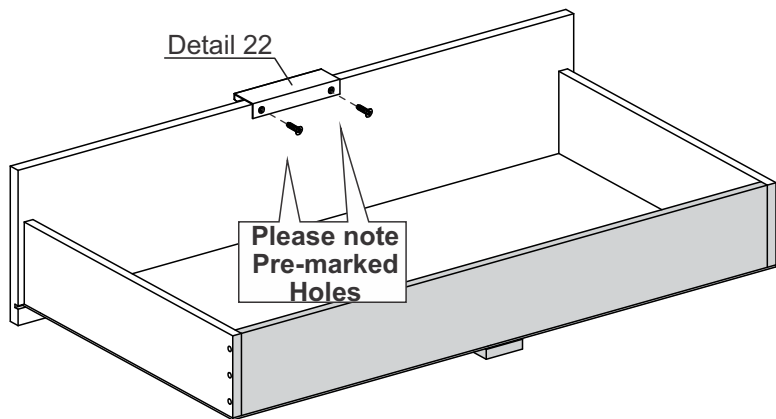
PARTS REQUIRED



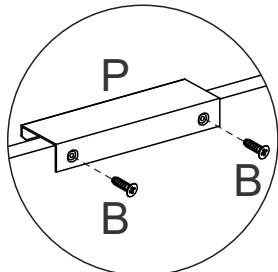
HARDWARE REQUIRED

B		04
Ø4,0 x 14mm		

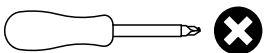
P		02
---	---	----



Detail 22



TOOLS REQUIRED

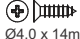


STEP 25

PARTS REQUIRED

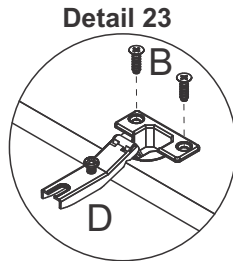
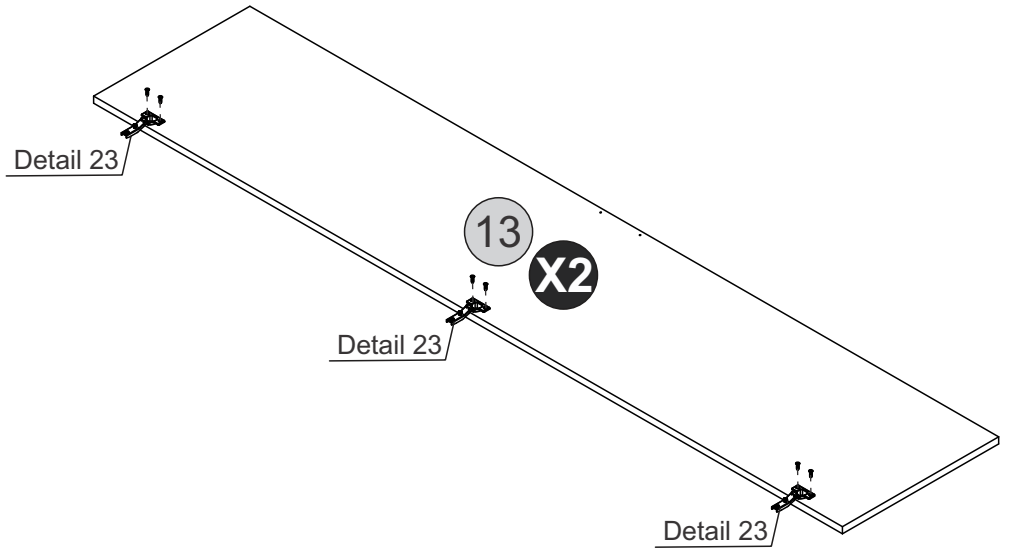
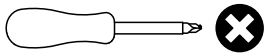
13 - LARGE DOOR x2

HARDWARE REQUIRED

B  12
Ø4,0 x 14mm

D  06

TOOLS REQUIRED



STEP 26

PARTS REQUIRED

12 - LEFT SMALL DOOR x1

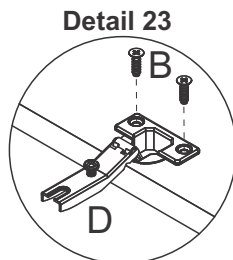
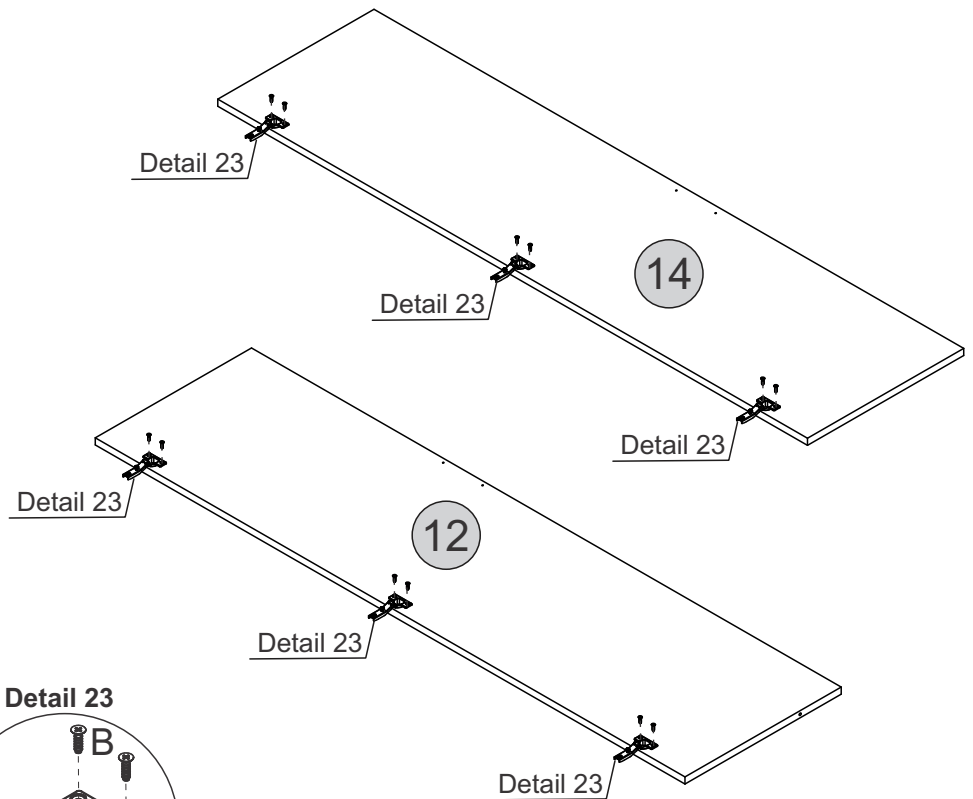
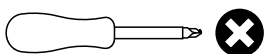
14 - RIGHT SMALL DOOR x1

HARDWARE REQUIRED

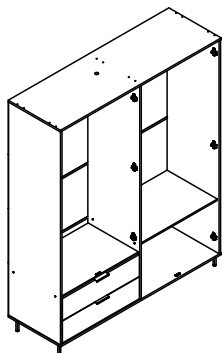
B  12
Ø4,0 x 14mm

D  06

TOOLS REQUIRED



STEP 27



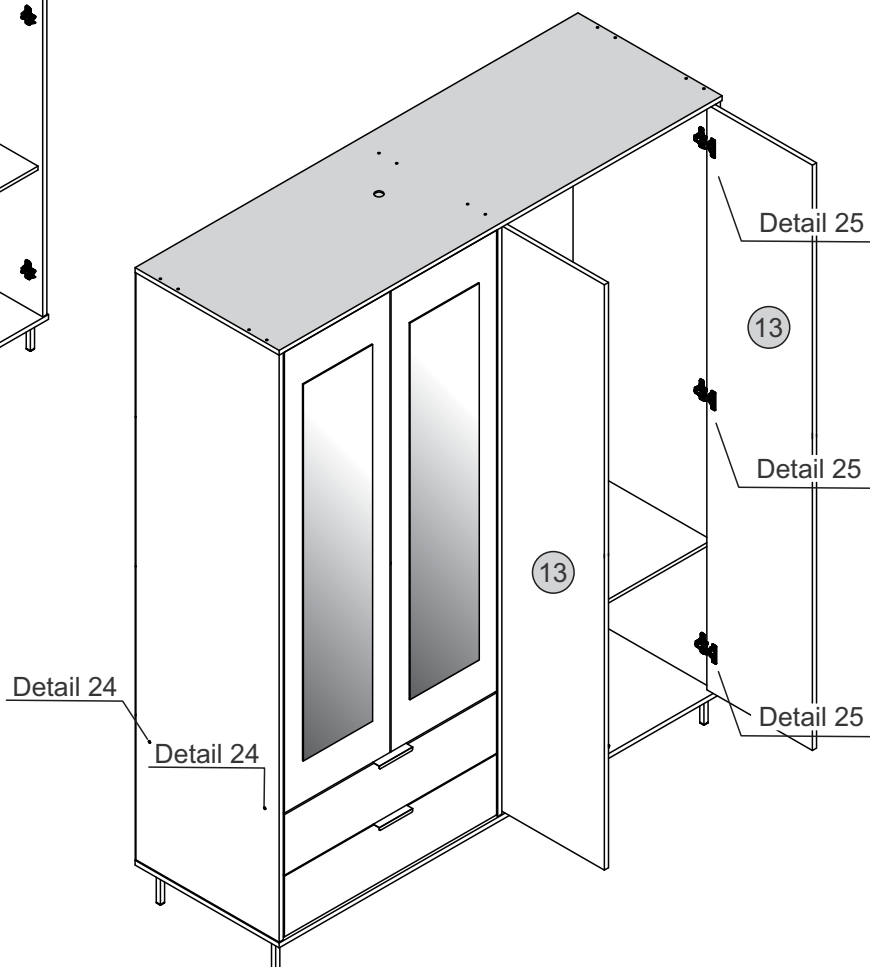
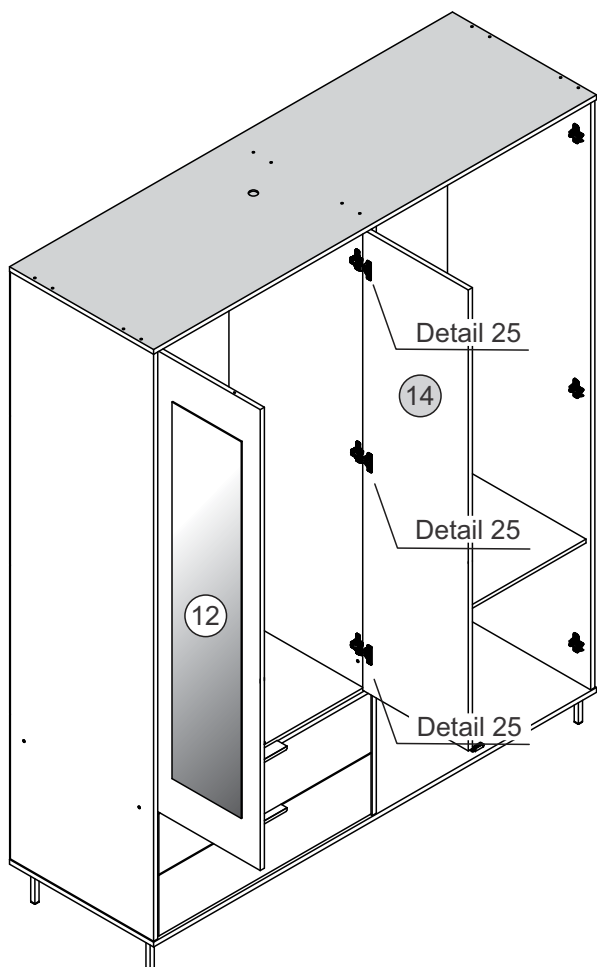
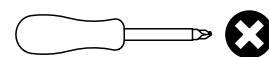
PARTS REQUIRED

12 - LEFT SMALL DOOR	x1
13 - LARGE DOOR	x2
14 - RIGHT SMALL DOOR	x1

HARDWARE REQUIRED

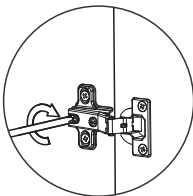
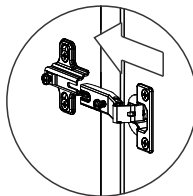
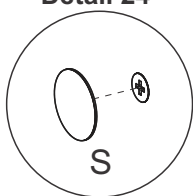
S		10
---	---	----

TOOLS REQUIRED



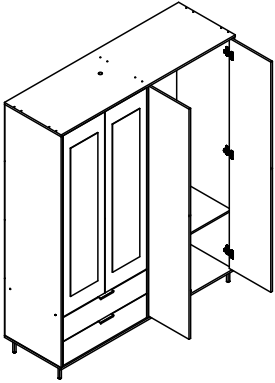
Detail 24

Detail 25

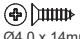



STEP 28

PARTS REQUIRED

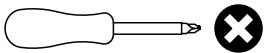


HARDWARE REQUIRED

B  08
Ø4,0 x 14mm


P  04

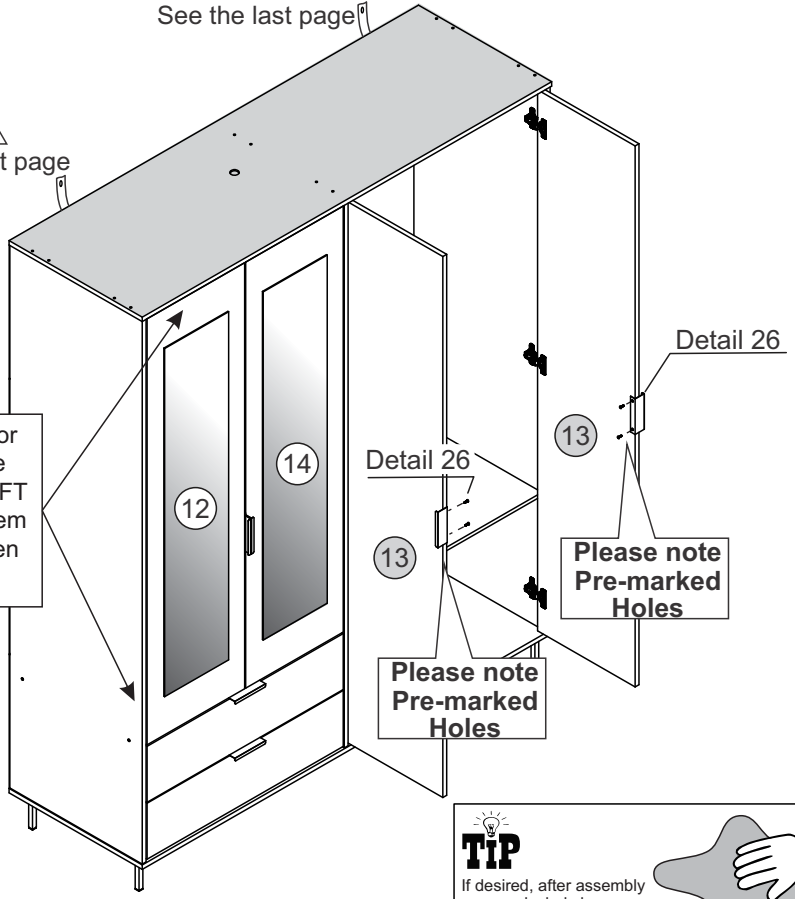
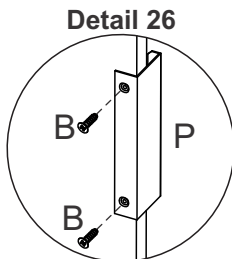
TOOLS REQUIRED



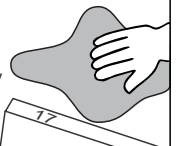

See the last page


See the last page


Please note the top or bottom edges of the doors are labelled LEFT or RIGHT to make them easier to identify when assembling.

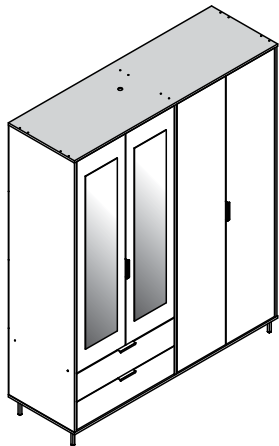


TIP
If desired, after assembly use an alcohol cleaner to erase the number printed on the parts.



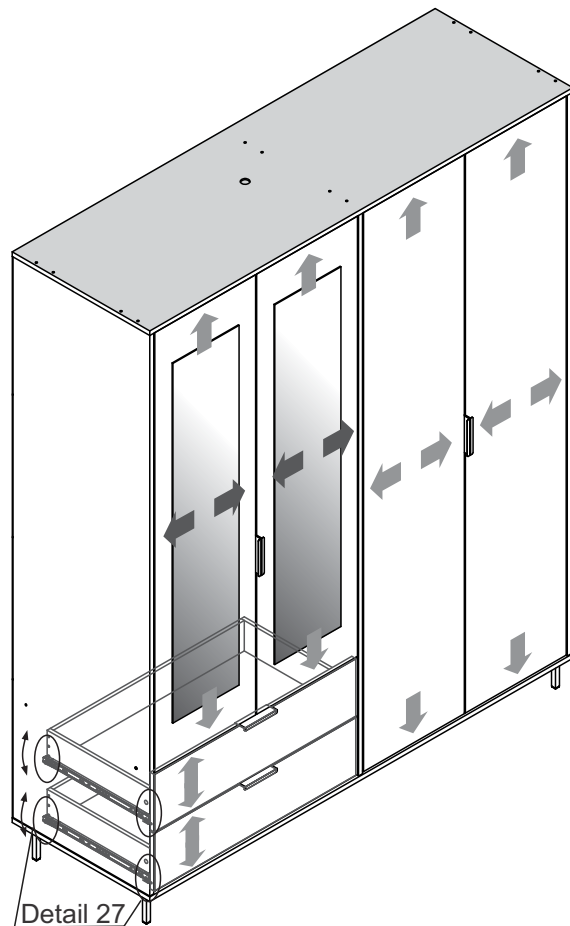
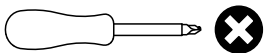
STEP 29

PARTS REQUIRED

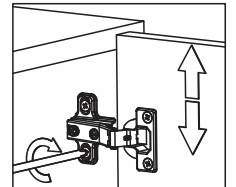


B  04
Ø4,0 x 14mm

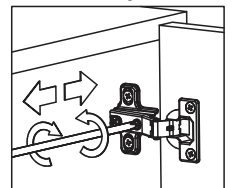
TOOLS REQUIRED



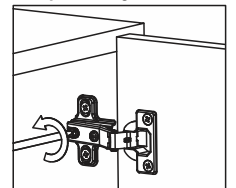
Height Adjustment



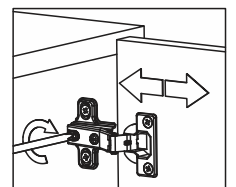
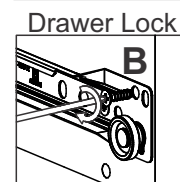
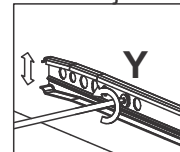
Internal Adjustment



Depth Adjustment



Detail 27 Drawer Adjustment



WARNING

Serious or fatal injuries can occur from furniture tipping over. To prevent the furniture from tipping over we recommend that it is permanently fixed to the wall.

Wall fixings are not supplied with this product as different wall materials require different types of fixing devices.

Please make sure you use fixings suitable for the walls in your home.

