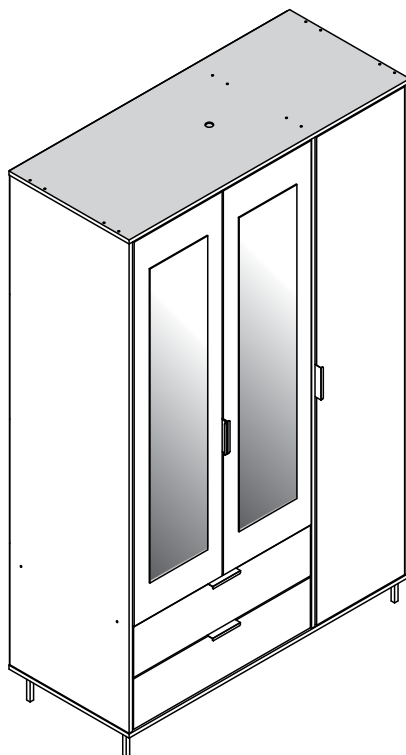


# MADRID 3 DOOR 2 DRAWER WARDROBE ASSEMBLY INSTRUCTIONS



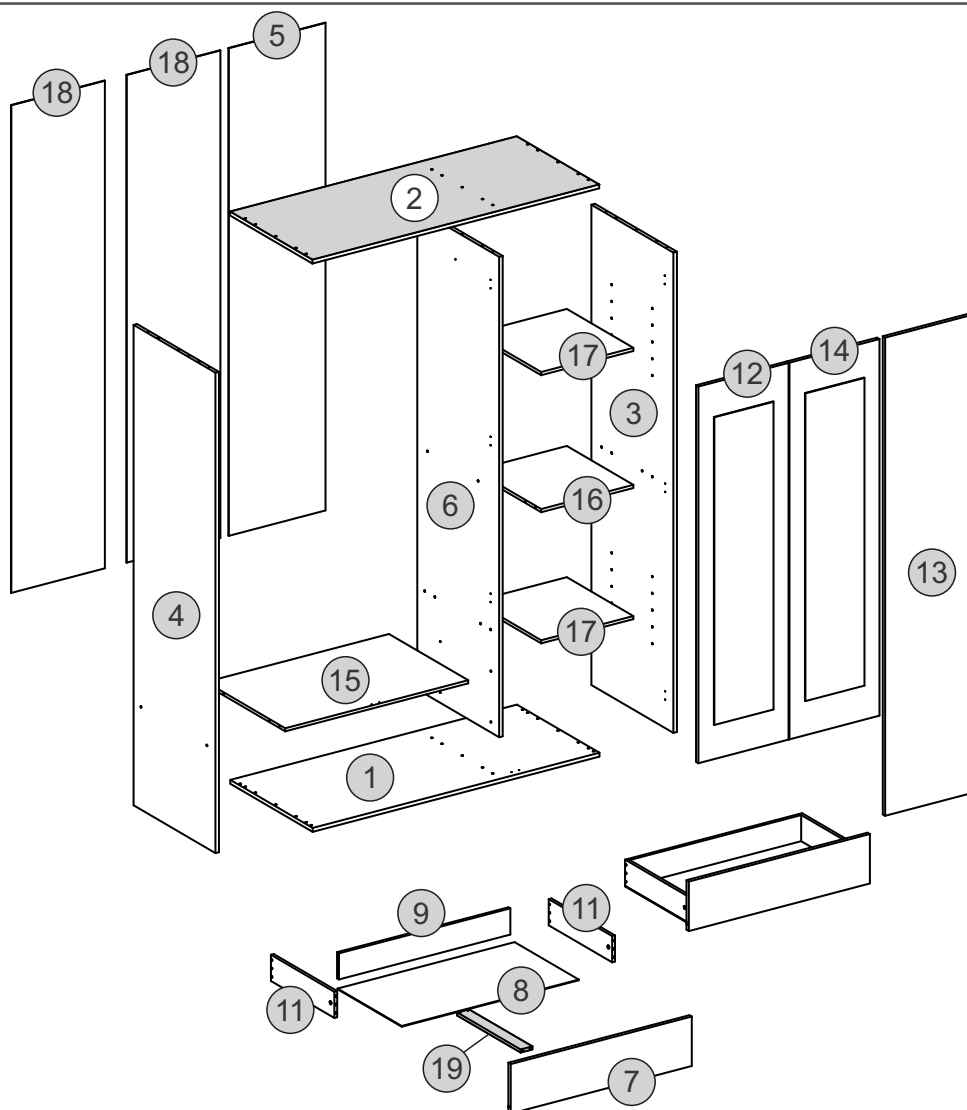
## **IMPORTANT FOR DOMESTIC USE ONLY**

**PLEASE READ BEFORE YOU CONTINUE FURTHER**

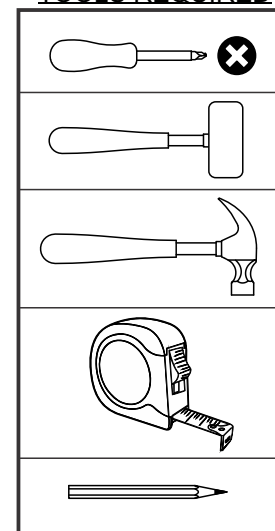
## **CARE AND MAINTENANCE**

After unpacking this product please keep the original packaging in case it needs to be returned for any reason.

- Please ensure all fittings and parts are present before commencing with assembly.
- Never drag or push products as this could cause damage to the joints making it inferior.
- We strongly recommend that you keep children away from your work area.
- We recommend that you lay a blanket or sheet on the floor to avoid damage to both your floor and the product.
- Assemble this product as close to its final position as possible.
- Do not place this product next to a radiator or in direct sunlight.
- Do not drag or push items across your high gloss furniture as this may cause the surface to scratch
- Wood is a natural product and may expand if subjected to damp and may shrink or crack if subjected to heat. Therefore it is recommended that room temperature is maintained, with no sudden temperature fluctuations.
- Make sure any spillage is wiped off immediately.
- Do not place hot or chilled items directly on to the surface, use a place mat or marking will occur.
- For general cleaning use a soft cotton or micro fibre cloth, and do not use detergents of any kind.
- From time to time it may be necessary to tighten fittings, regular inspections should be carried out.
- Do not place on a wet or damp floor as staining may occur to your floor.



## TOOLS REQUIRED



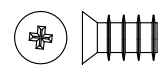
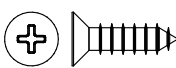
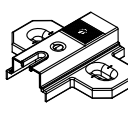
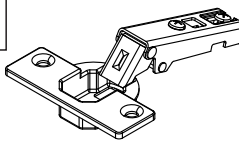



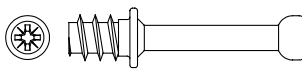
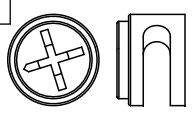
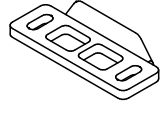
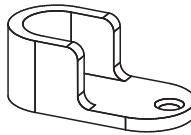



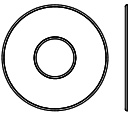
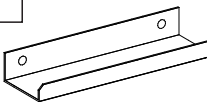
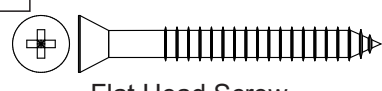
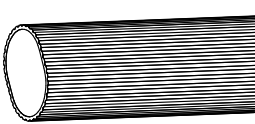

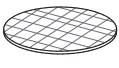
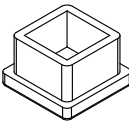
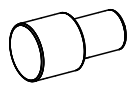
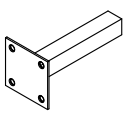
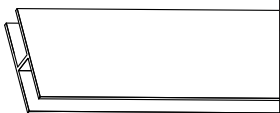
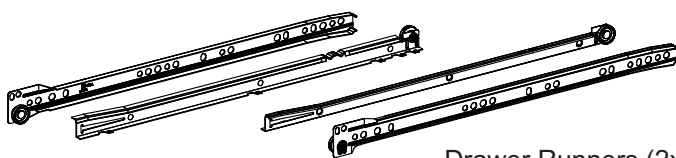
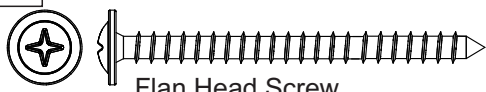
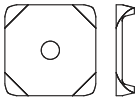
## PARTS LIST

***Please Note:***

The below parts have all been stamped with the part number to help identify them during assembly.

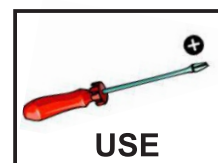
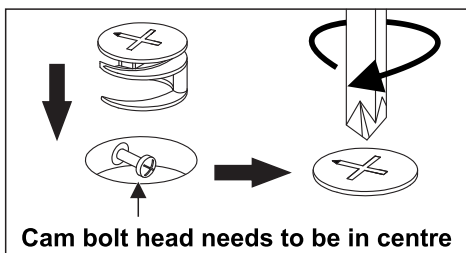
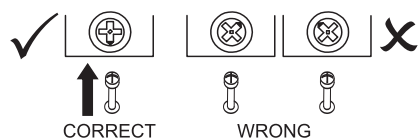
Part Number	Part Code	Part Description	Quantity	Carton
1	S100-101-188-CA1-01	Base Panel	1	2/3
2	S100-101-188-CA1-02	Top Panel	1	2/3
3	S100-101-188-CA1-03	Right Side Panel	1	1/3
4	S100-101-188-CA1-04	Left Side Panel	1	1/3
5	S100-101-188-CA1-05	Back Panel	1	1/3
6	S100-101-188-CA1-06	Division Panel	1	1/3
7	S100-101-188-CA1-07	Drawer Front	2	3/3
8	S100-101-188-CA1-08	Drawer Bottom	2	2/3
9	S100-101-188-CA1-09	Drawer Back Panel	2	2/3
11	S100-101-188-CA1-11	Drawer Side	4	2/3
12	S100-101-188-CA1-12	Left Small Door	1	3/3
13	S100-101-188-CA1-13	Large Door	1	3/3
14	S100-101-188-CA1-14	Right Small Door	1	3/3
15	S100-101-188-CA1-15	Drawer Top Panel	1	2/3
16	S100-101-188-CA1-16	Small Shelf	1	2/3
17	S100-101-188-CA1-17	Mobile Shelf	2	2/3
18	S100-101-188-CA1-18	Small Back Panel	2	3/3
19	S100-101-188-CA1-19	Drawer Bottom Support Bar	2	2/3

## FITTINGS LIST

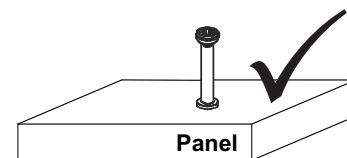
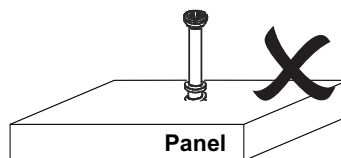
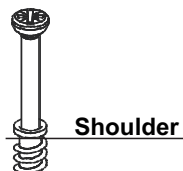
<p><b>A</b></p>  <p>Flat Head Screw Ø6,0 x 10mm (8x)</p>	<p><b>B</b></p>  <p>Flat Head Screw Ø4,0 x 14mm (80x)</p>	<p><b>C</b></p>  <p>Hinge Plate (9x)</p>	<p><b>D</b></p>  <p>Hinge (9x)</p>	
<p><b>E</b></p>  <p>Flat Head Screw Ø4,0 x 50mm (26x)</p>	<p><b>F</b></p>  <p>Dowel Ø6,0 x 30mm (40x)</p>	<p><b>G</b></p>  <p>Nail 10 x 10 (90x)</p>	<p><b>H</b></p>  <p>Cam Bolt (4x)</p>	
<p><b>I</b></p>  <p>Cam Nut (4x)</p>	<p><b>J</b></p>  <p>Door Stop (3x)</p>	<p><b>K</b></p>  <p>Hanging Rail Support (2x)</p>	<p><b>L</b></p>  <p>Glue (1x)</p>	<p><b>M</b></p>  <p>Strap (2x)</p>
<p><b>N</b></p>  <p>Flat Head Screw Ø3,5 x 30mm (2x)</p>	<p><b>O</b></p>  <p>Washer (4x)</p>	<p><b>P</b></p>  <p>Handle (5x)</p>	<p><b>Q</b></p>  <p>Flat Head Screw Ø3,5 x 40mm (4x)</p>	
<p><b>R</b></p>  <p>Hanging Rail (1x)</p>	<p><b>S</b></p>  <p>Hole Plugs (4x)</p>	<p><b>T</b></p>  <p>Hole Plugs (38x)</p>	<p><b>U</b></p>  <p>Internal Tip (5x)</p>	<p><b>V</b></p>  <p>Support Pin (8x)</p>
<p><b>W</b></p>  <p>Tubular foot (5x)</p>	<p><b>X</b></p>  <p>Back Panel Strip (1x)</p>	<p><b>Y</b></p>  <p>Drawer Runners (2x)</p>		
<p><b>Z</b></p>  <p>Flan Head Screw Ø4 x 50mm (8x)</p>	<p><b>A1</b></p>  <p>Back Panel Bracket (x18)</p>			

### TIPS FOR FITTINGS CAM-LOCKS

WHEN FITTING CAM NUT. ENSURE STARTING POSITION IS CORRECT BEFORE YOU INSERT CONNECTING CAM BOLT TURN CLOCKWISE UNTIL SECURE



**CAMBOLT**  
Tighten until shoulder in flush with panel. Do not overtighten or undertighten (see example beside)




# STEP 1

## PARTS REQUIRED

3 - RIGHT SIDE PANEL x1

4 - LEFT SIDE PANEL x1

## HARDWARE REQUIRED

B  02  
Ø4,0 x 14mm

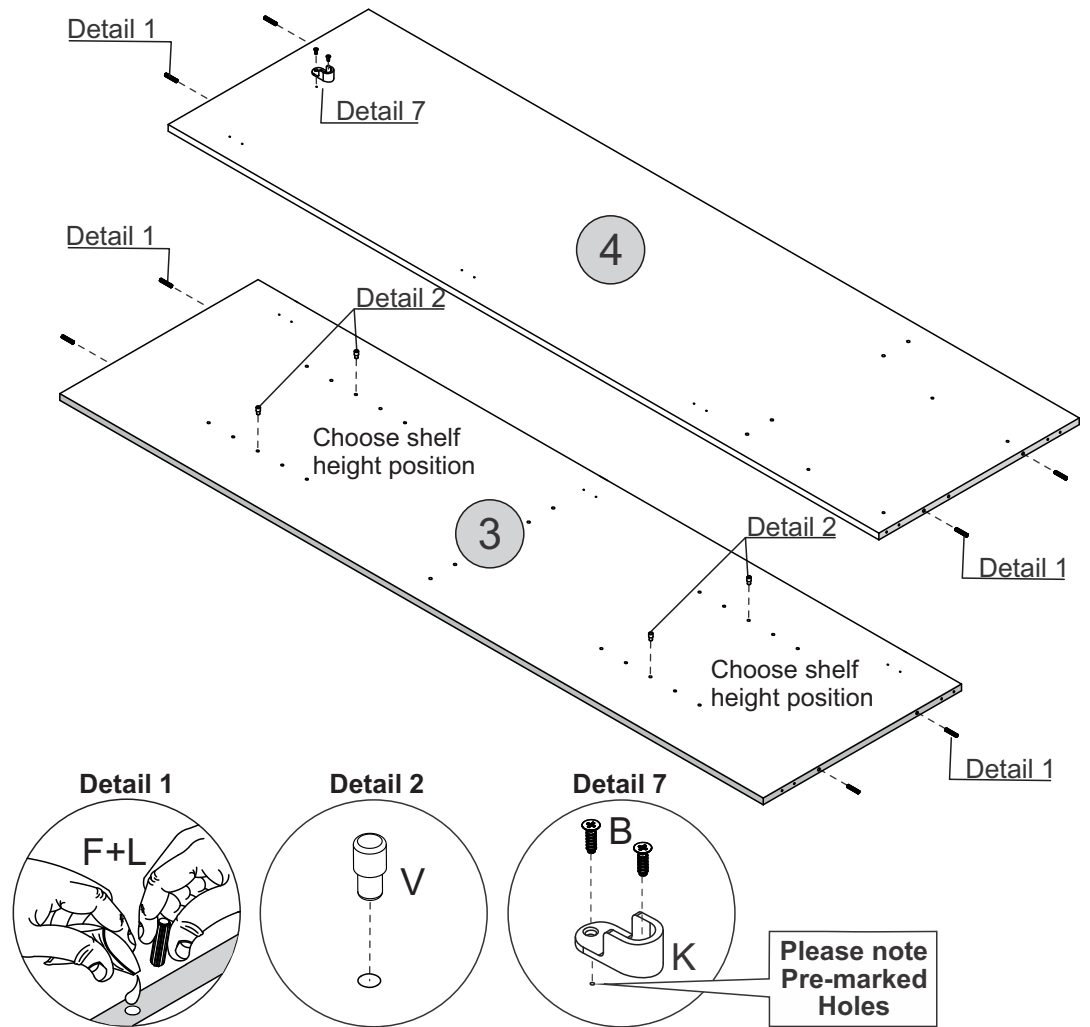
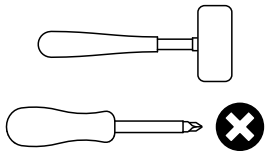
K  01

F  08

L  01

V  04

## TOOLS REQUIRED



# STEP 2

## PARTS REQUIRED

3 - RIGHT SIDE PANEL x1

4 - LEFT SIDE PANEL x1

## HARDWARE REQUIRED

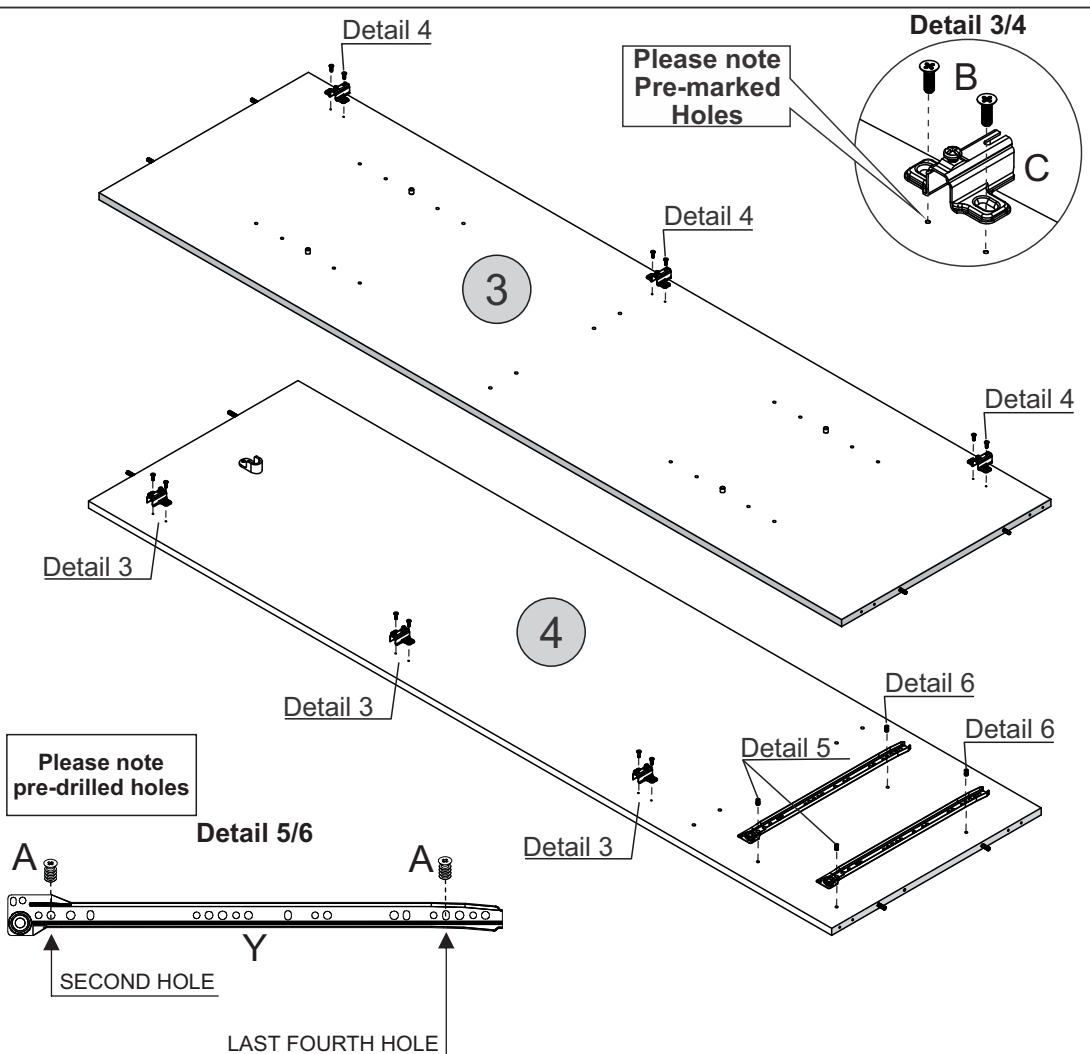
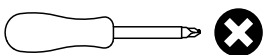
A  04  
Ø6,0 x 10mm

B  12  
Ø4,0 x 14mm

C  06

Y  02

## TOOLS REQUIRED



# STEP 3

## PARTS REQUIRED

6 - DIVISION PANEL x1

## HARDWARE REQUIRED

A  04  
Ø6,0 x 10mm

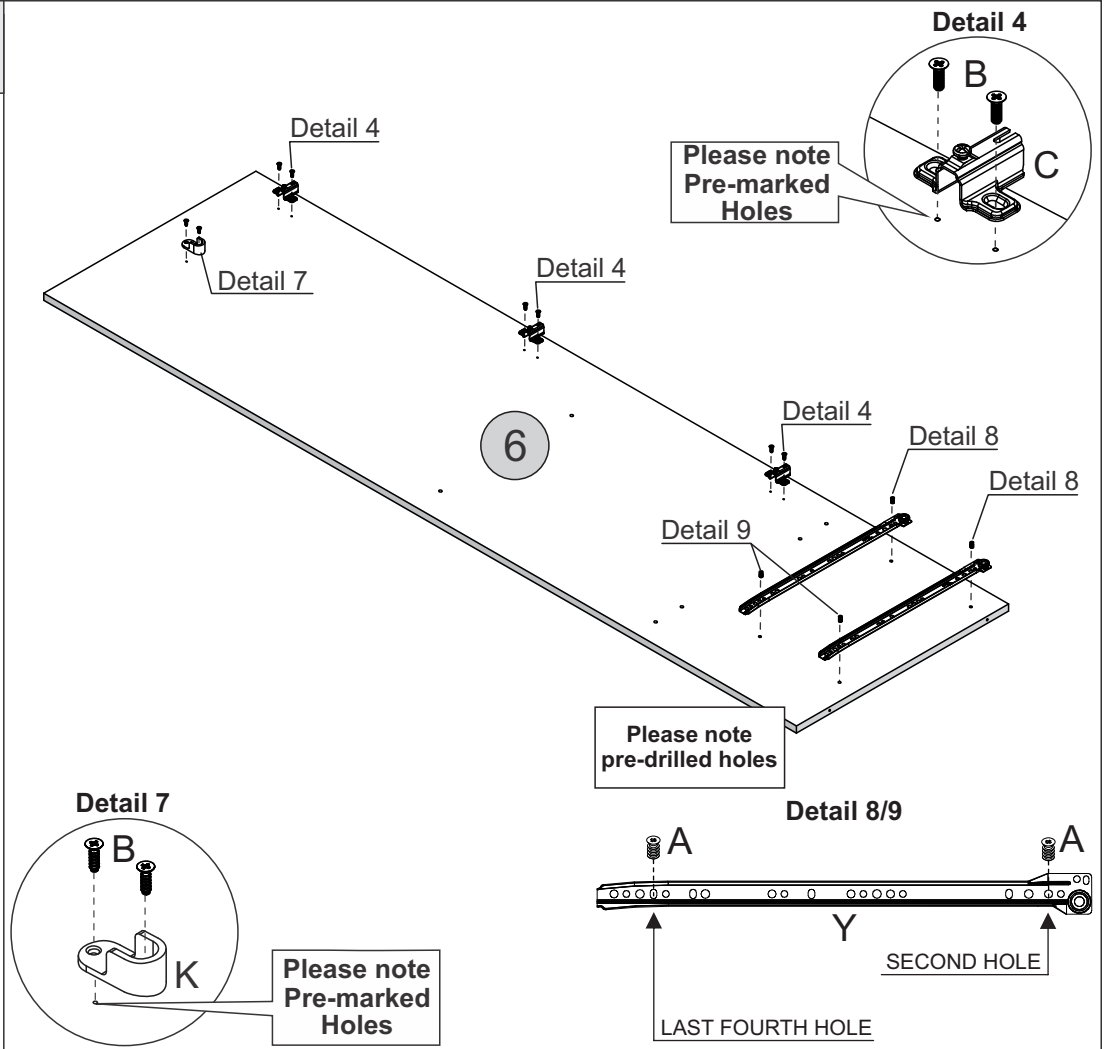
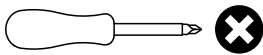
B  08  
Ø4,0 x 14mm

C  03

K  01

Y  02

## TOOLS REQUIRED



# STEP 4


## PARTS REQUIRED

6 - DIVISION PANEL x1

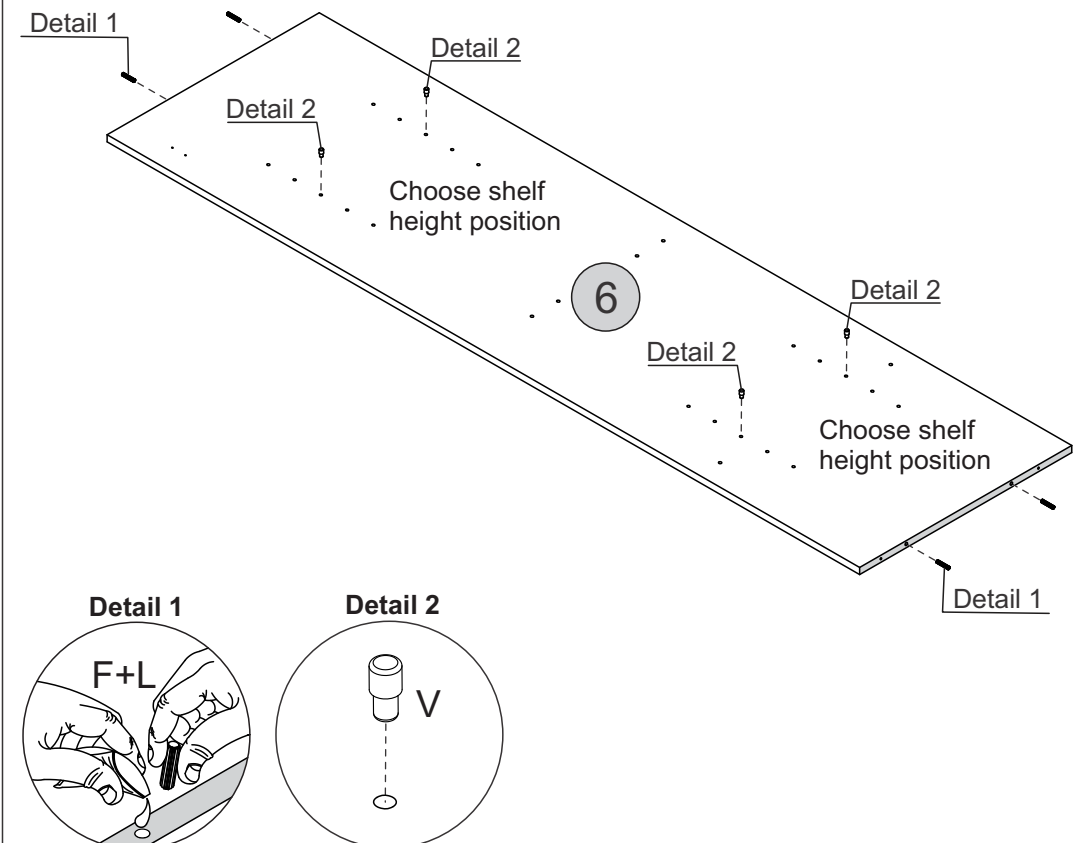
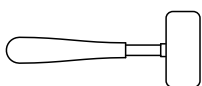
## HARDWARE REQUIRED

F  04

L  01

V  04

## TOOLS REQUIRED






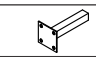


# STEP 5

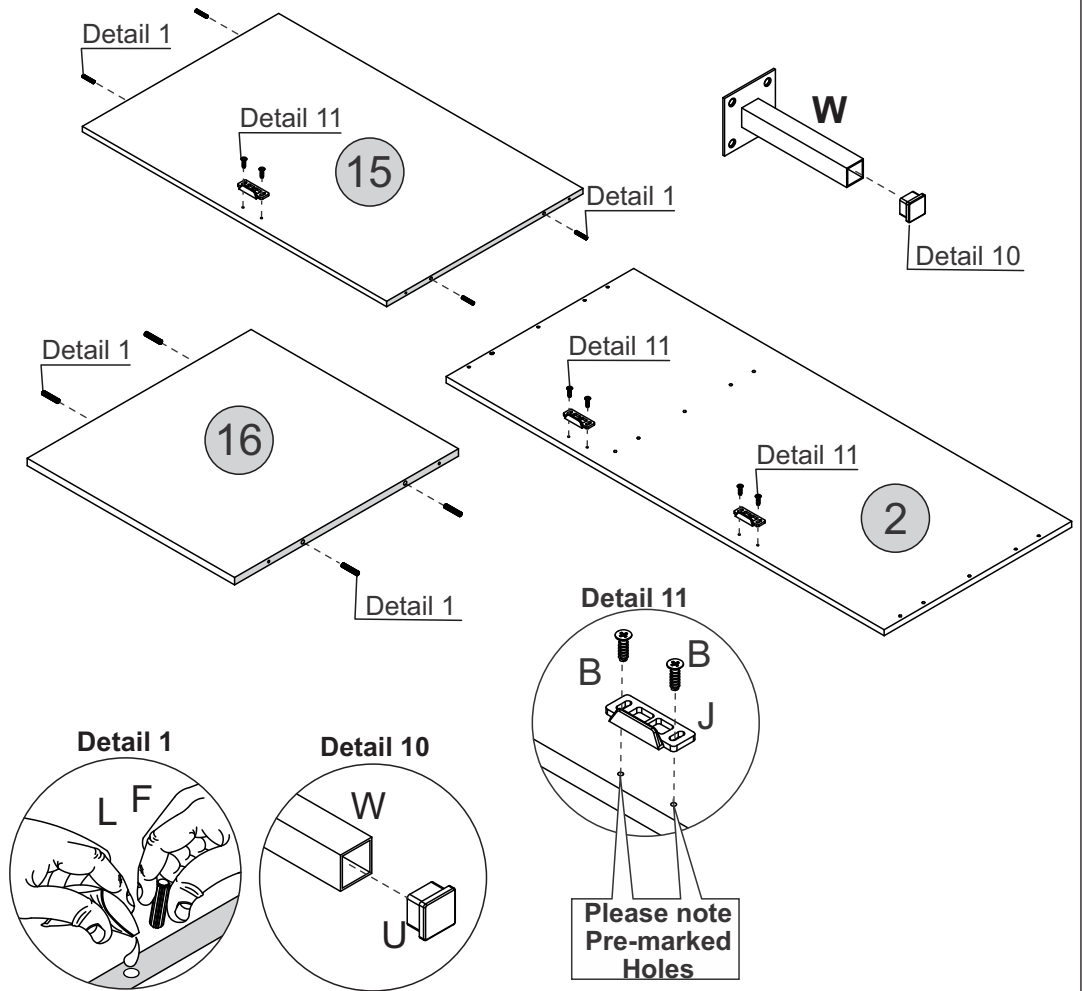
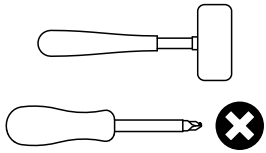
## PARTS REQUIRED

2 - TOP PANEL	x1
15 - DRAWER TOP PANEL	x1
16 - SMALL SHELF	x1

## HARDWARE REQUIRED

B	 06 Ø4,0 x 14mm
F	 08
J	 03
L	 01
U	 05
W	 05

## TOOLS REQUIRED




# STEP 6

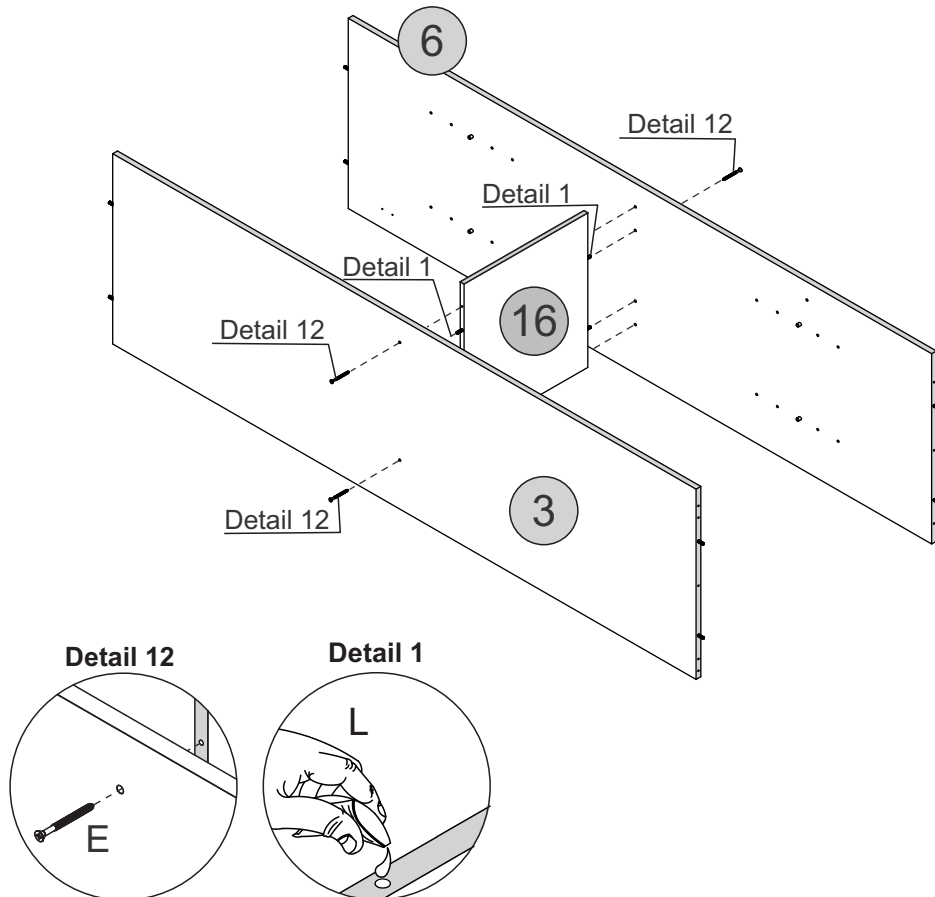
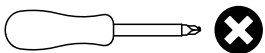
## PARTS REQUIRED

3 - RIGHT SIDE PANEL	x1
6 - DIVISION PANEL	x1
16 - SMALL SHELF	x1

## HARDWARE REQUIRED

E	 04 Ø4,0 x 50mm
---	---

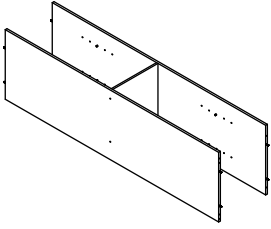
## TOOLS REQUIRED



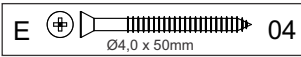
# STEP 7

## PARTS REQUIRED

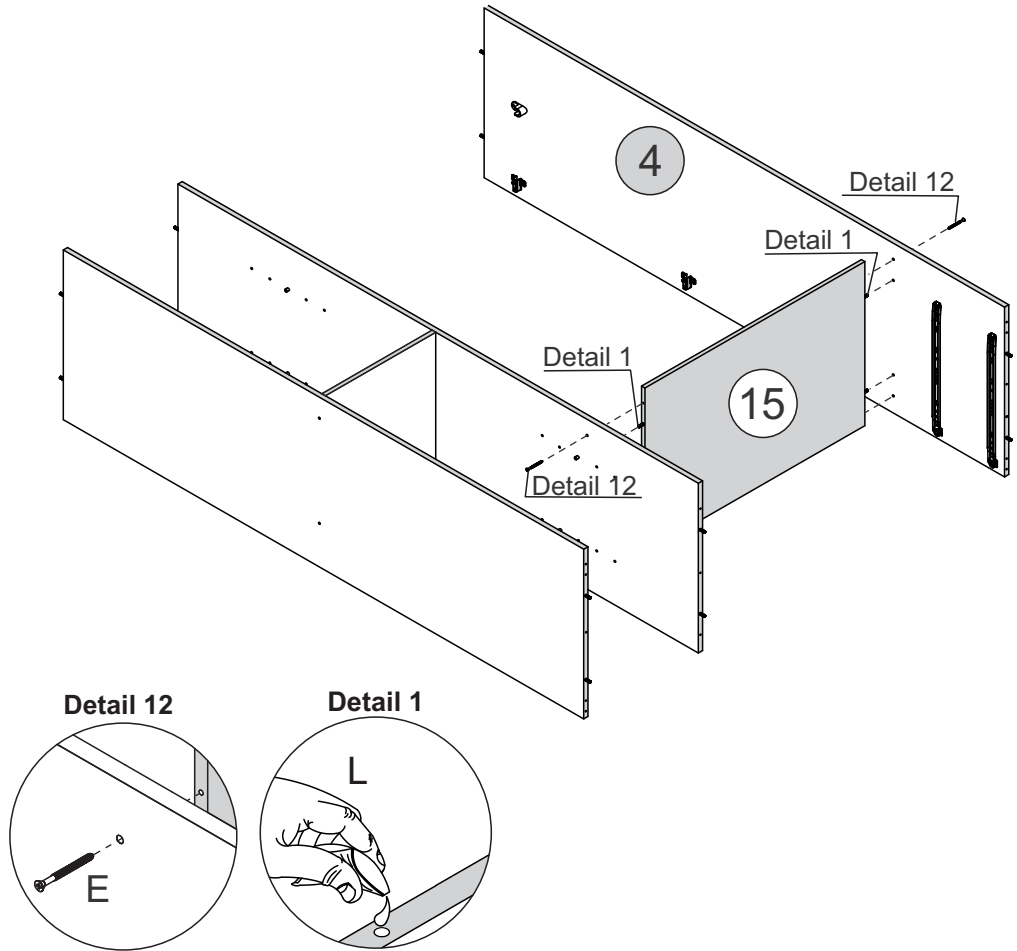
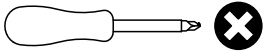
- 4 - LEFT SIDE PANEL x1
- 15 - DRAWER TOP PANEL x1



## HARDWARE REQUIRED



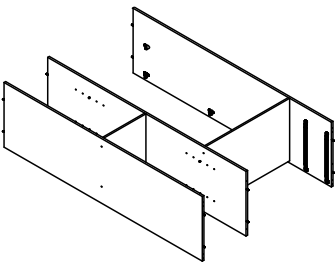
## TOOLS REQUIRED



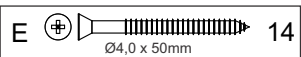
# STEP 8

## PARTS REQUIRED

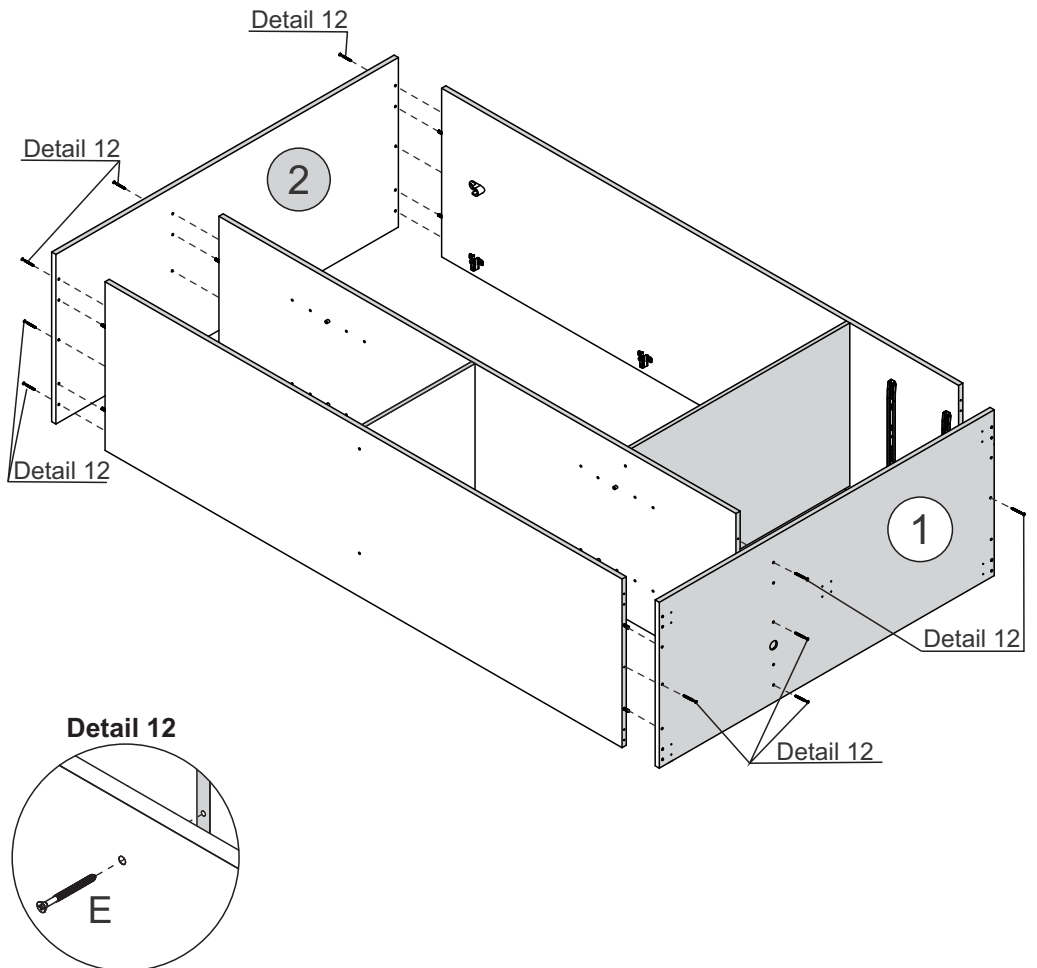
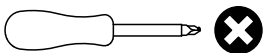
- 2 - TOP PANEL x1
- 1 - BASE PANEL x1



## HARDWARE REQUIRED

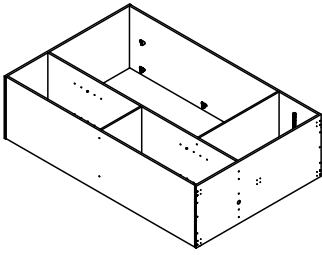


## TOOLS REQUIRED



# STEP 9

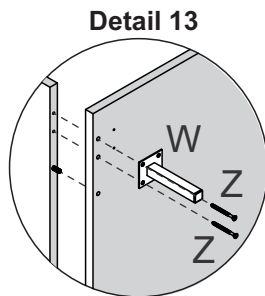
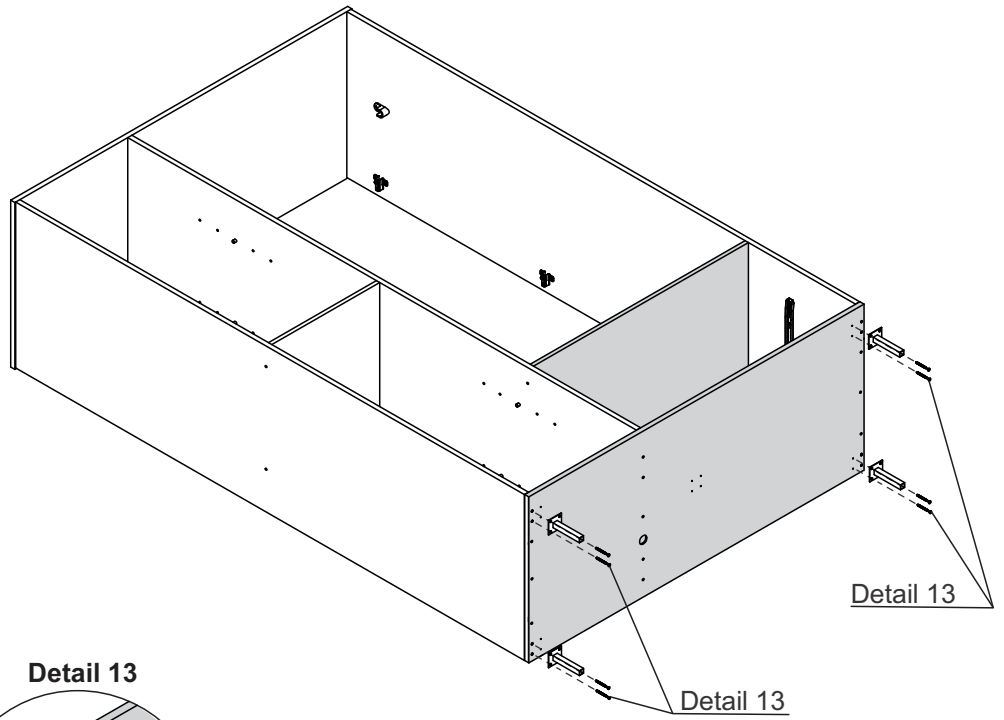
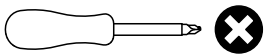
## PARTS REQUIRED



## HARDWARE REQUIRED

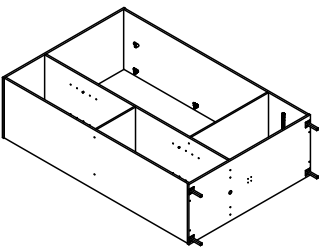
W		04
Z	Ø4,0 x 50mm	08

## TOOLS REQUIRED



# STEP 10

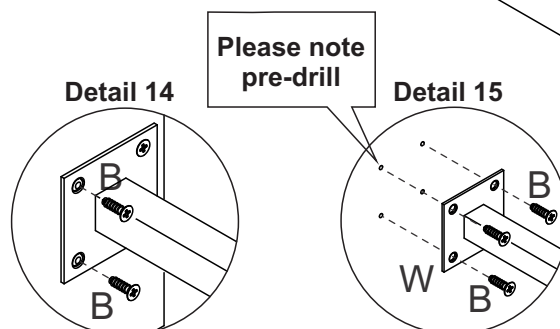
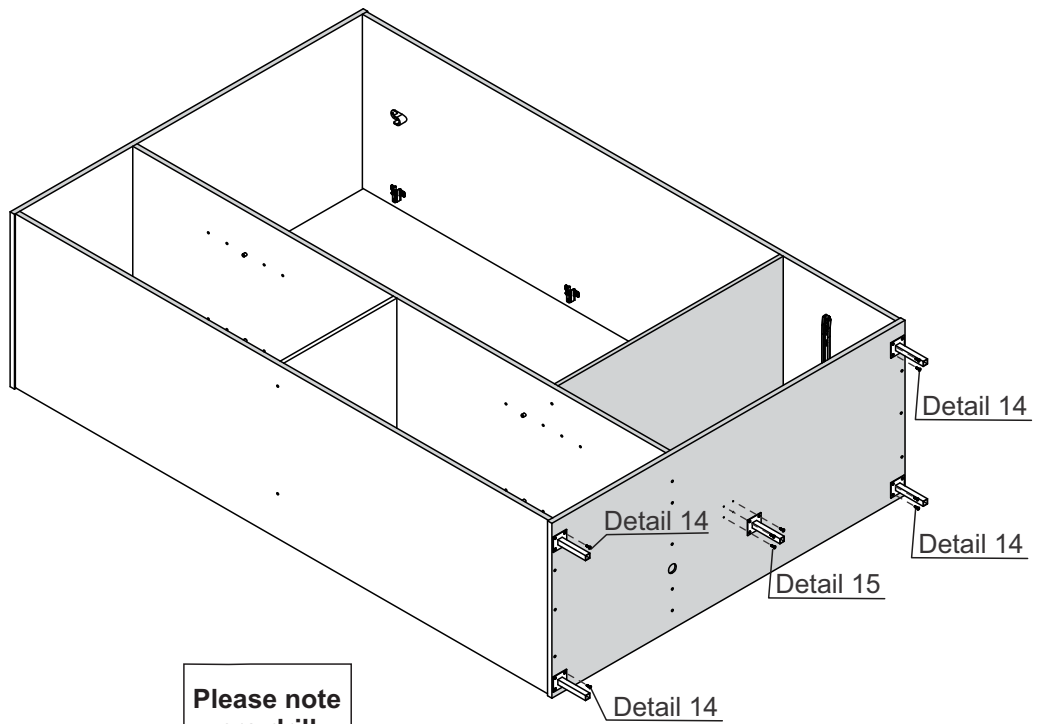
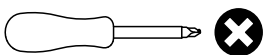
## PARTS REQUIRED



## HARDWARE REQUIRED

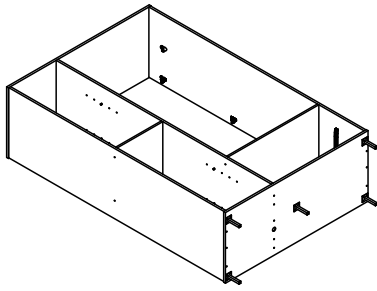
B	Ø4,0 x 14mm	12
W		01

## TOOLS REQUIRED






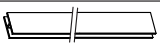

# STEP 11



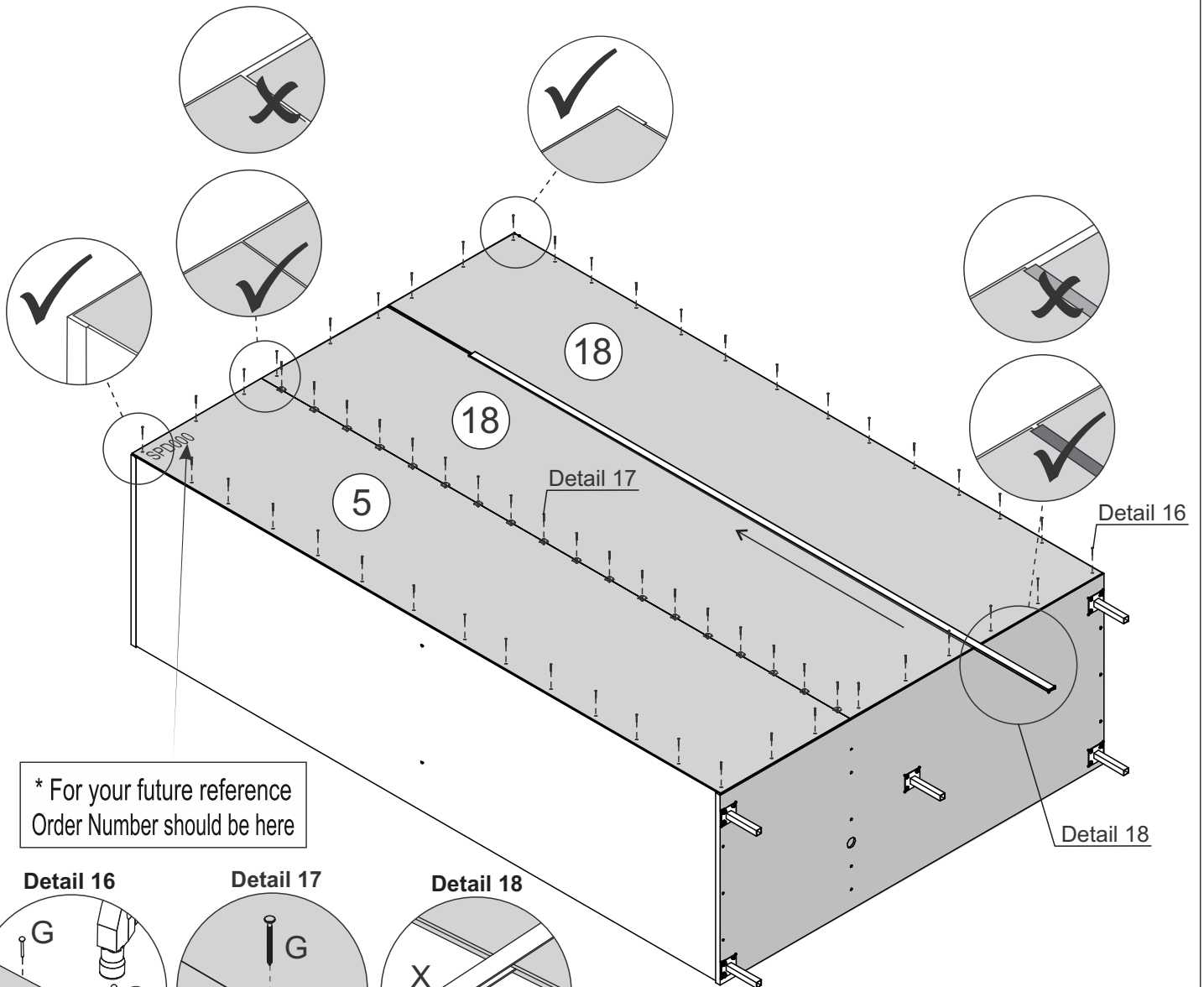
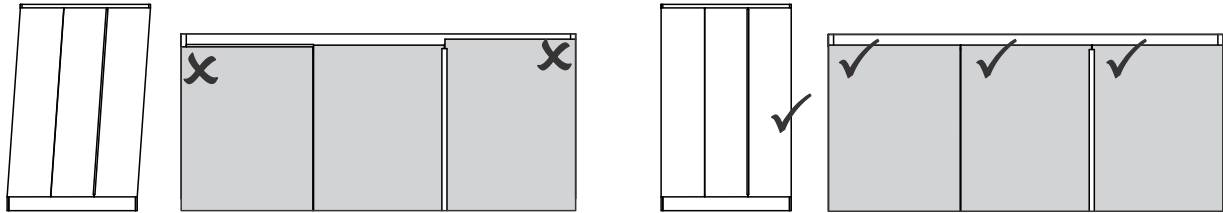
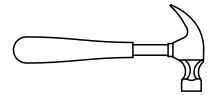
**PARTS REQUIRED**

5 - BACK PANEL	x1
18 - SMALL BACK PANEL	x2

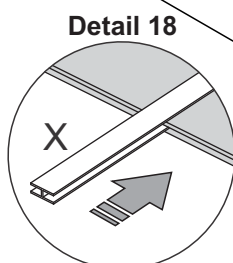
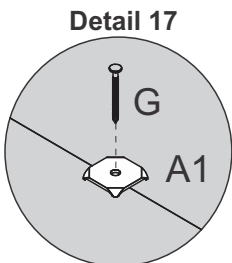
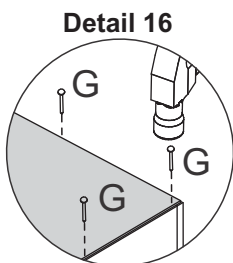
**HARDWARE REQUIRED**

G		60
X		01
A1		18

**TOOLS REQUIRED**

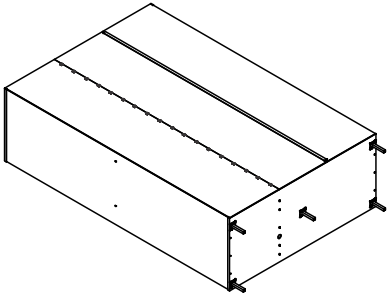


\* For your future reference  
Order Number should be here



# STEP 12

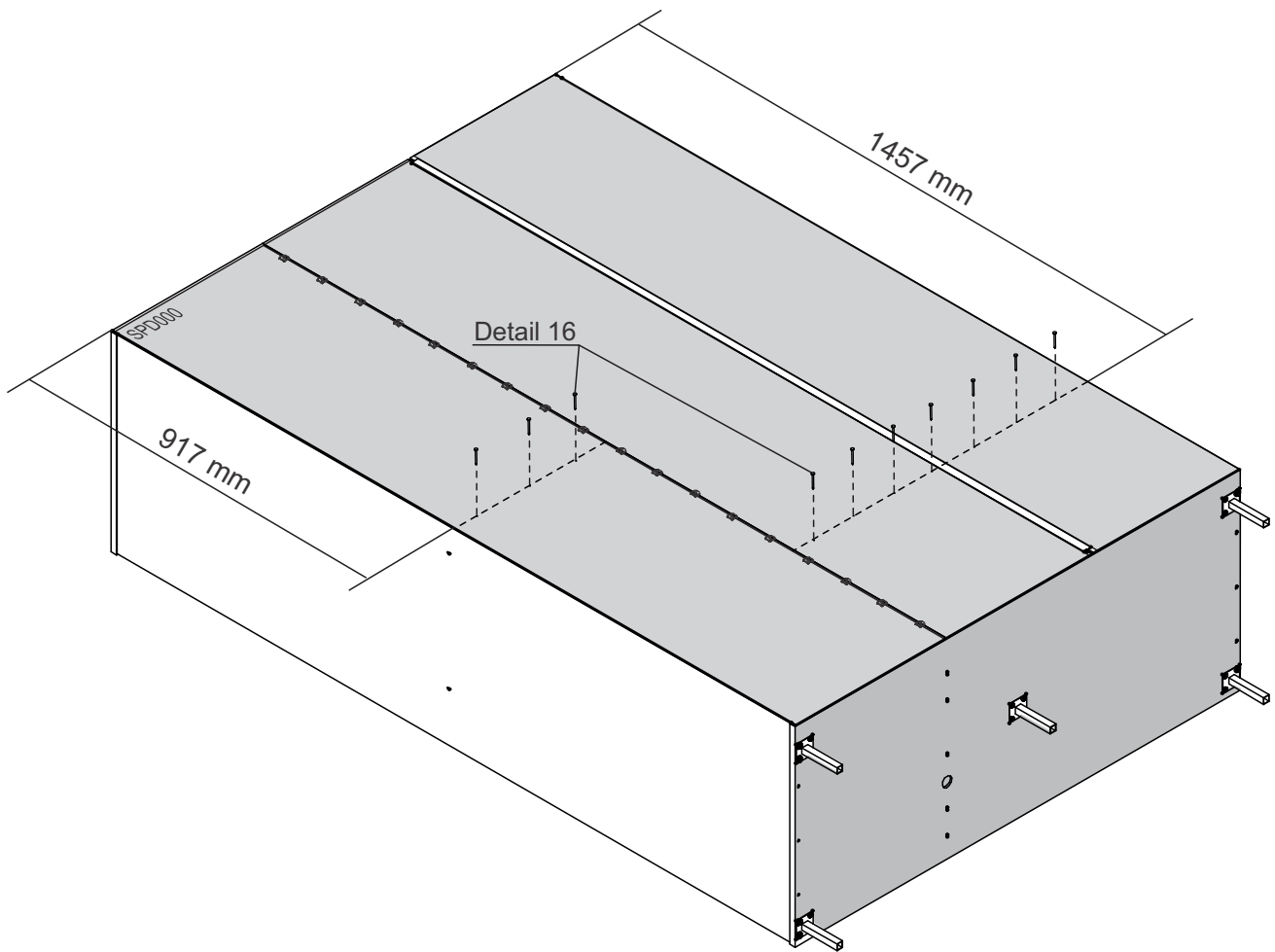
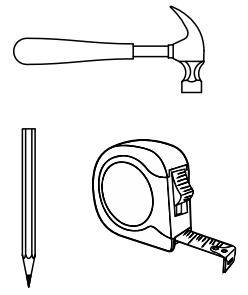
PARTS REQUIRED



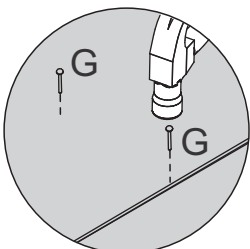
HARDWARE REQUIRED



TOOLS REQUIRED

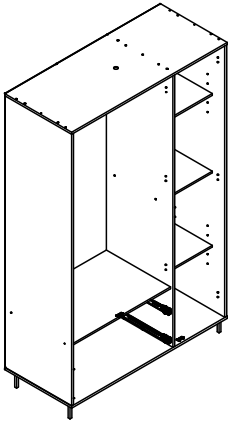


**Detail 16**

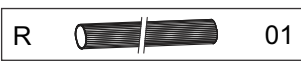


# STEP 13

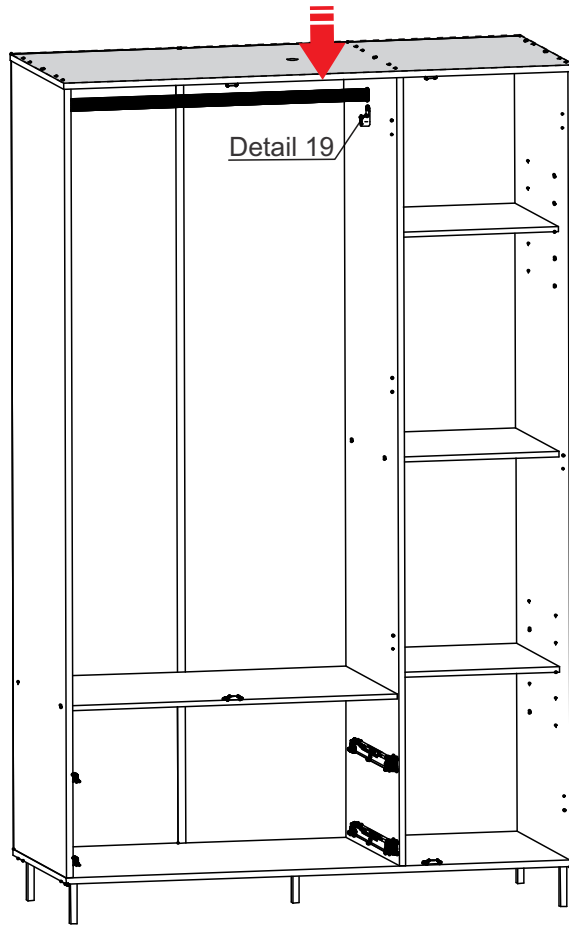
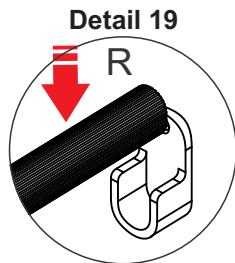
## PARTS REQUIRED



## HARDWARE REQUIRED



## TOOLS REQUIRED



# STEP 14

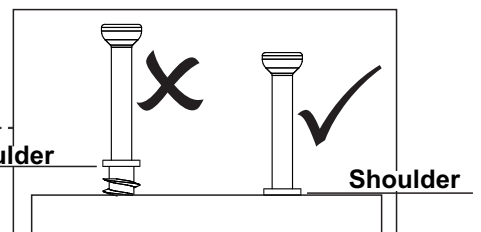
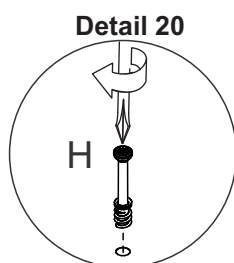
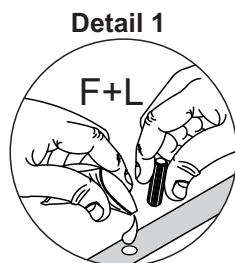
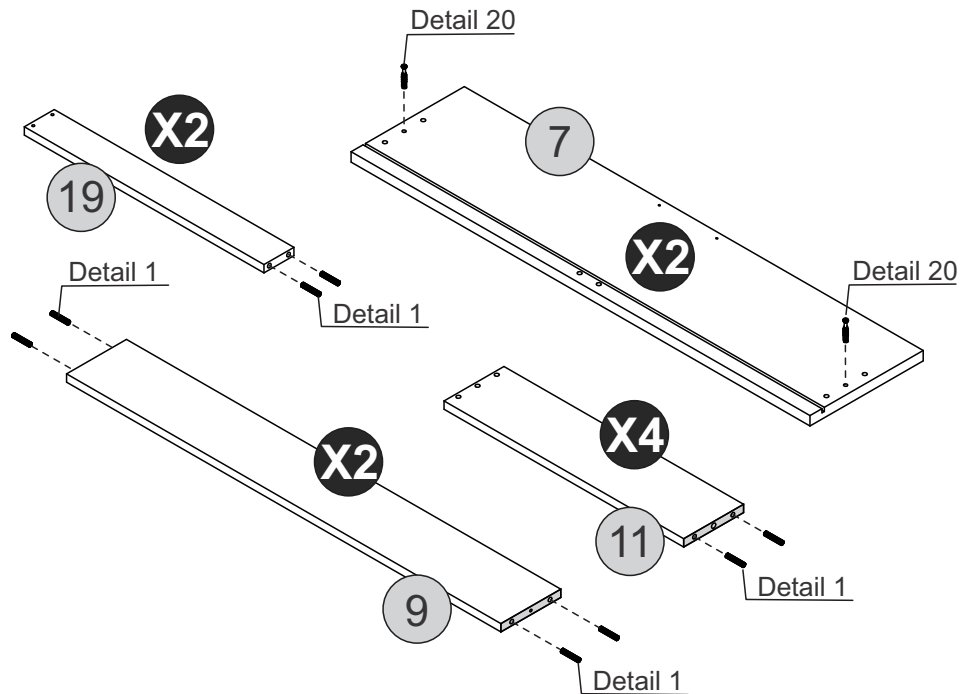
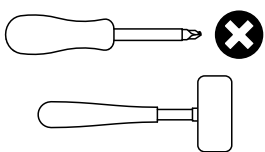
## PARTS REQUIRED

7 - DRAWER FRONT	x2
9 - DRAWER BACK PANEL	x2
11 - DRAWER SIDE	x4
19 - DRAWER BOTTOM SUPPORT BAR	x2

## HARDWARE REQUIRED

F		20
H		04
L	Glue	01

## TOOLS REQUIRED




# STEP 15

## PARTS REQUIRED

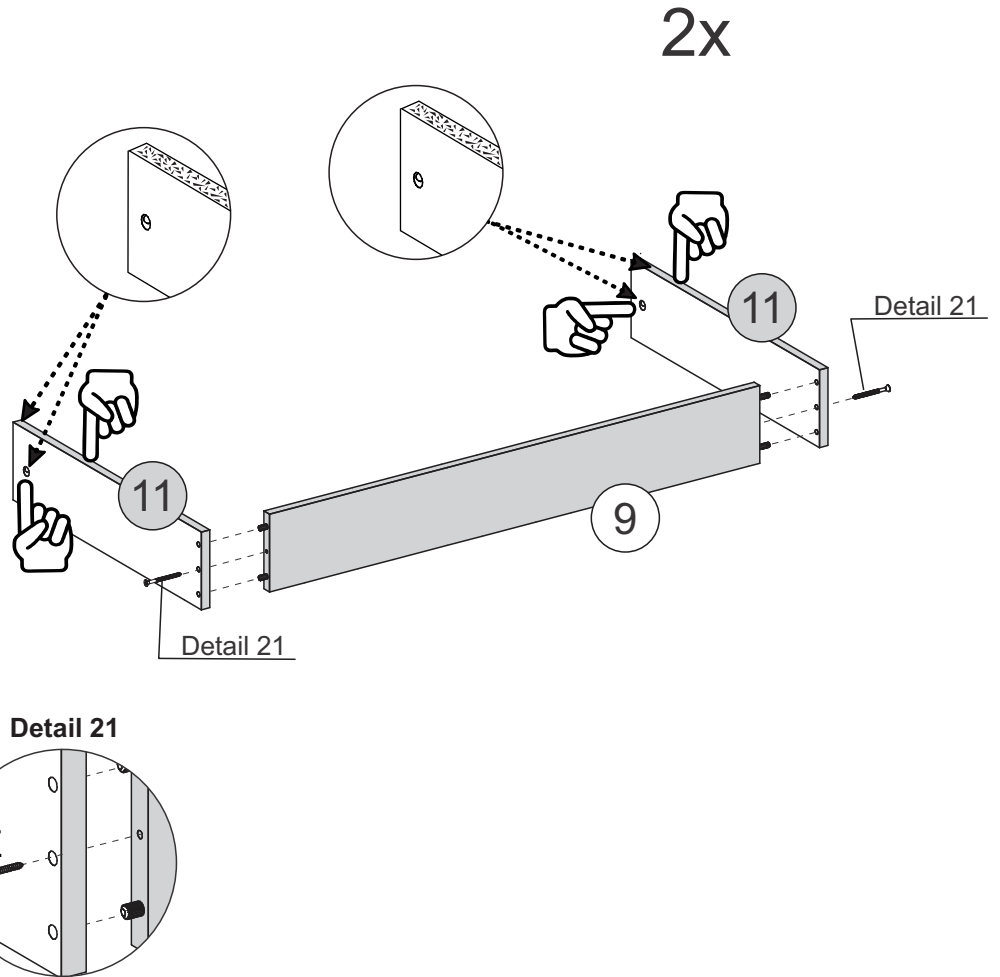
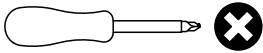
9 - DRAWER BACK PANEL x2

11 - DRAWER SIDE x4

## HARDWARE REQUIRED

E  04  
Ø4,0 x 50mm

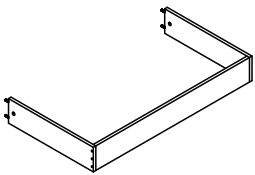
## TOOLS REQUIRED



# STEP 16


## PARTS REQUIRED


7 - DRAWER FRONT x2



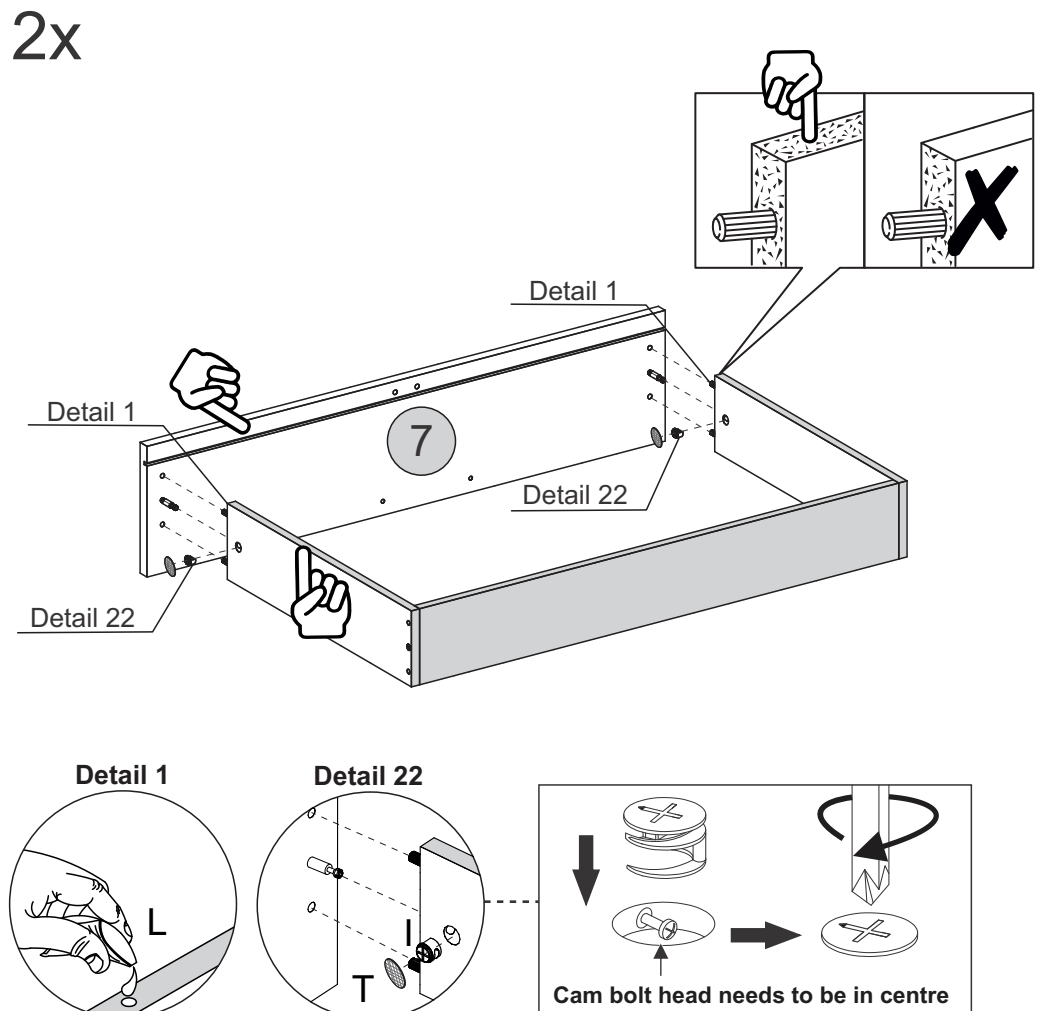
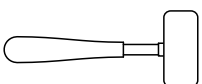
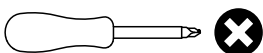
## HARDWARE REQUIRED

I  04

L  01

T  04

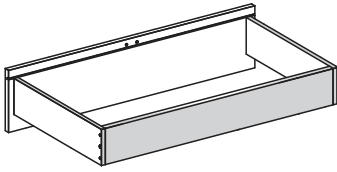
## TOOLS REQUIRED



# STEP 17

## PARTS REQUIRED

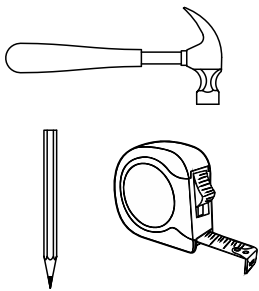
8 - DRAWER BOTTOM x2



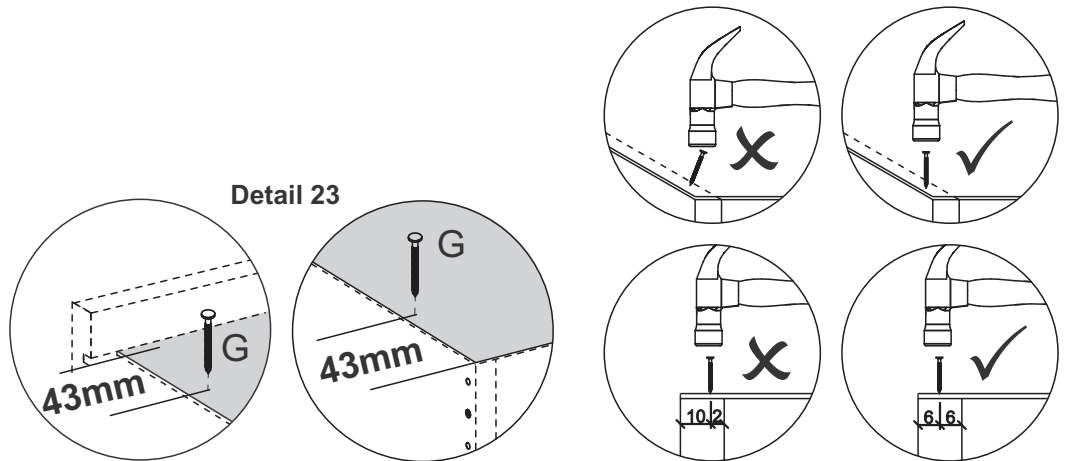
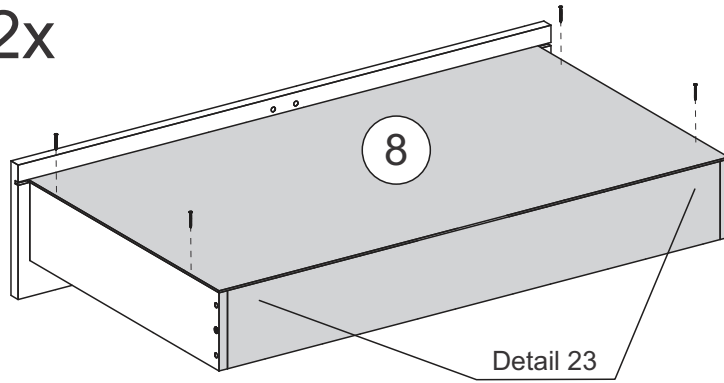
## HARDWARE REQUIRED

G  08

## TOOLS REQUIRED



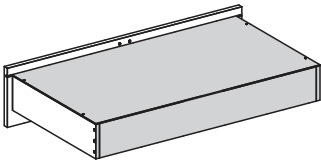
2x



# STEP 18

## PARTS REQUIRED

19 - DRAWER BOTTOM SUPPORT BAR x2



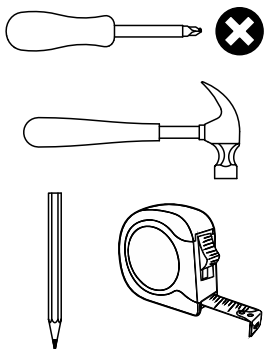
## HARDWARE REQUIRED

G  12

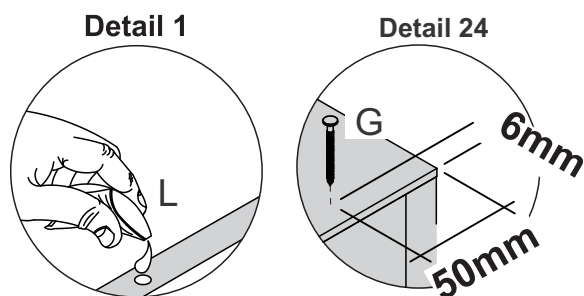
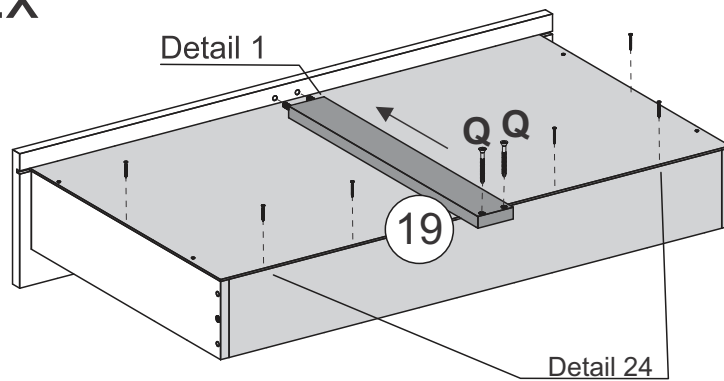
L  01

Q  Ø3,5 x 40mm 04

## TOOLS REQUIRED



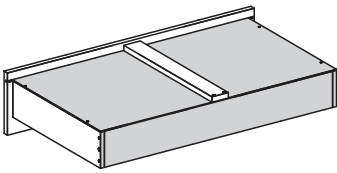
2x



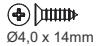

# STEP 19

2x

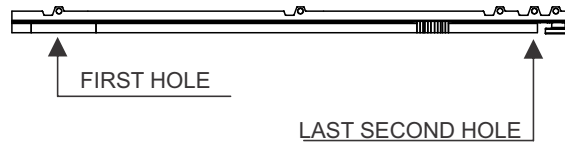
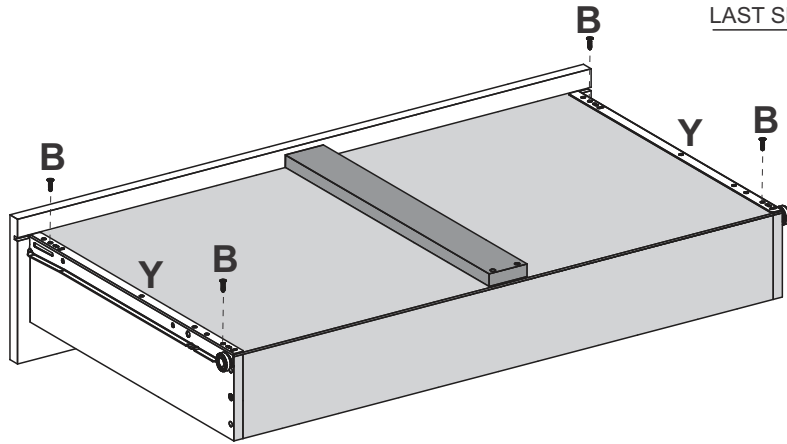
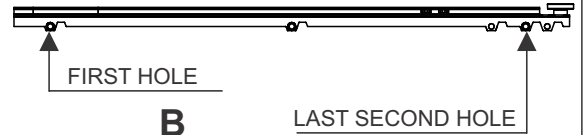
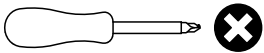
**PARTS REQUIRED**



**HARDWARE REQUIRED**

B	 08 Ø4,0 x 14mm
Y	 02

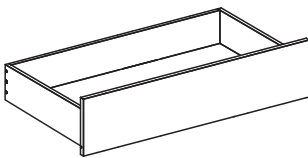
**TOOLS REQUIRED**



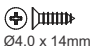

# STEP 20

2x

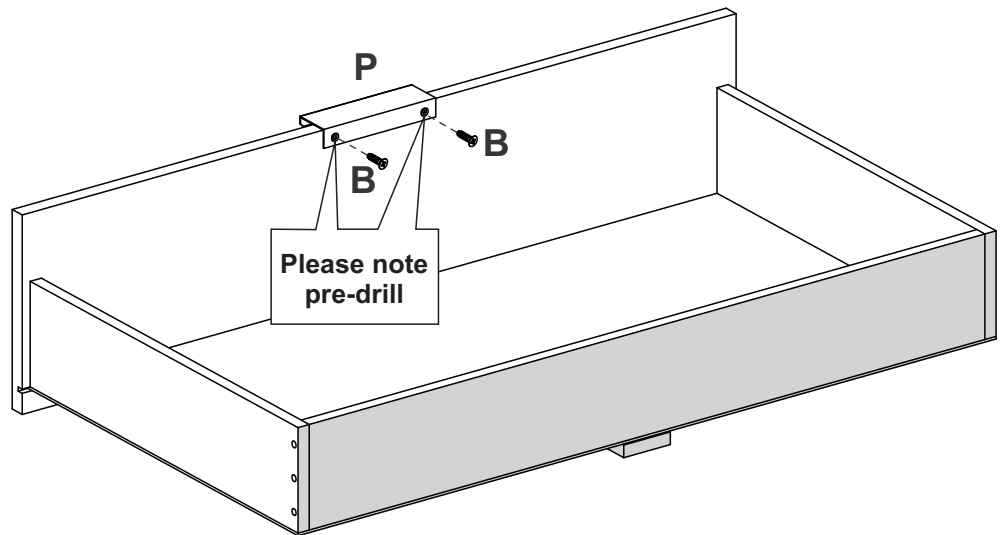
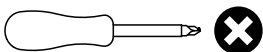
**PARTS REQUIRED**



**HARDWARE REQUIRED**

B	 04 Ø4,0 x 14mm
P	 02

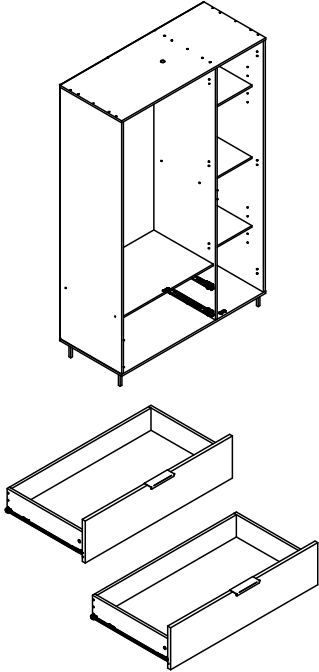
**TOOLS REQUIRED**



# STEP 21

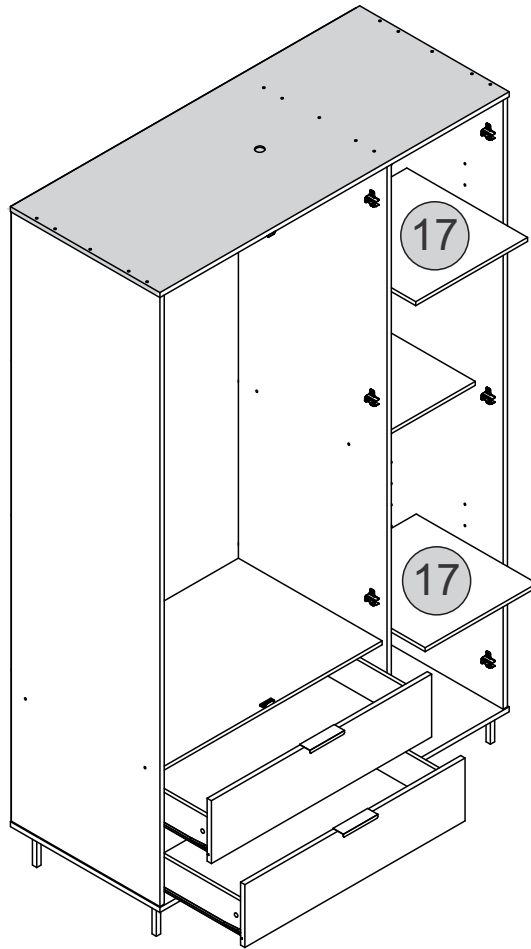
## PARTS REQUIRED

17 - MOBILE SHELF x2



## HARDWARE REQUIRED

## TOOLS REQUIRED



# STEP 22


## PARTS REQUIRED

12 - LEFT SMALL DOOR x1

13 - LARGE DOOR x1

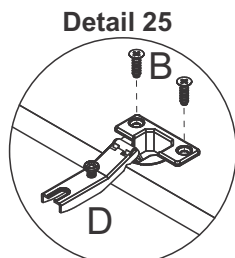
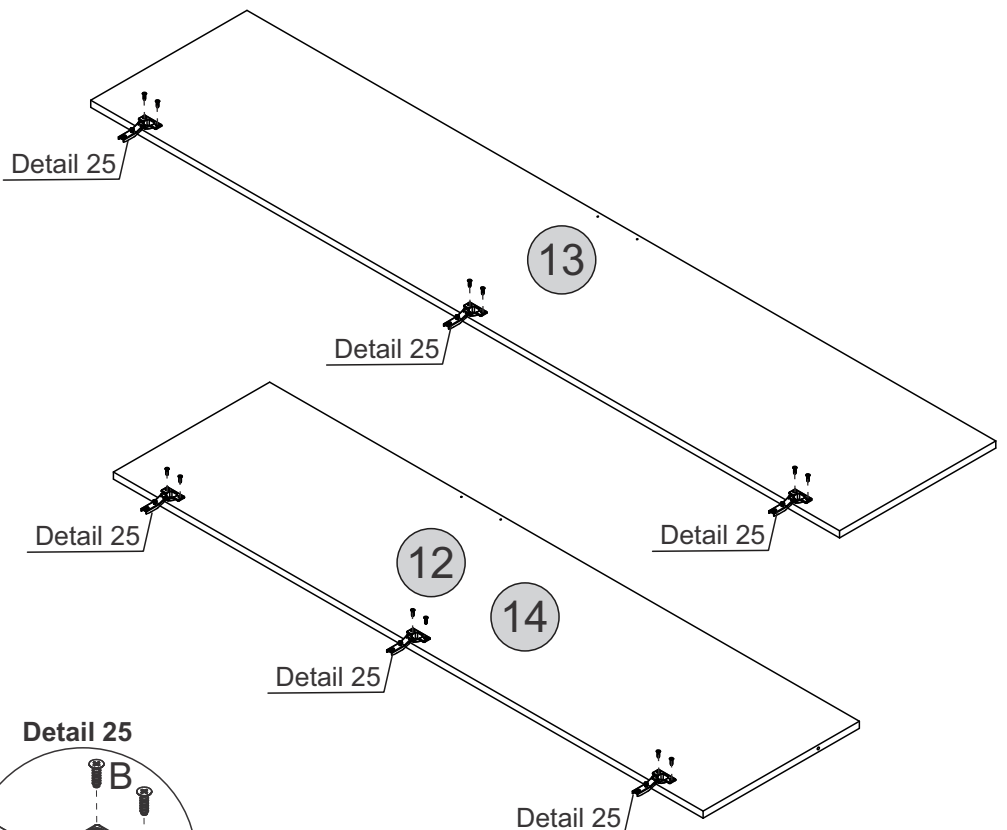
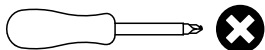
14 - RIGHT SMALL DOOR x1

## HARDWARE REQUIRED

B  18  
Ø4,0 x 14mm

D  09

## TOOLS REQUIRED



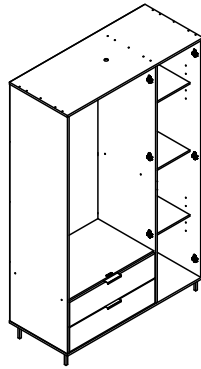
# STEP 23

## PARTS REQUIRED

12 - LEFT SMALL DOOR x1

13 - LARGE DOOR x1

14 - RIGHT SMALL DOOR x1

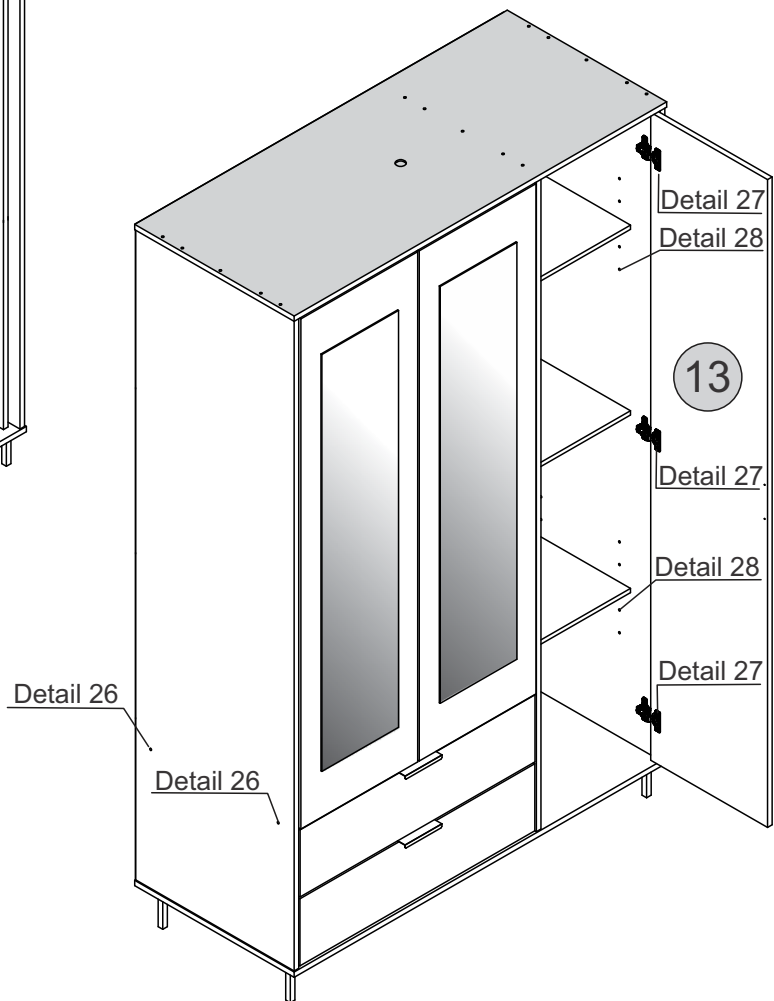
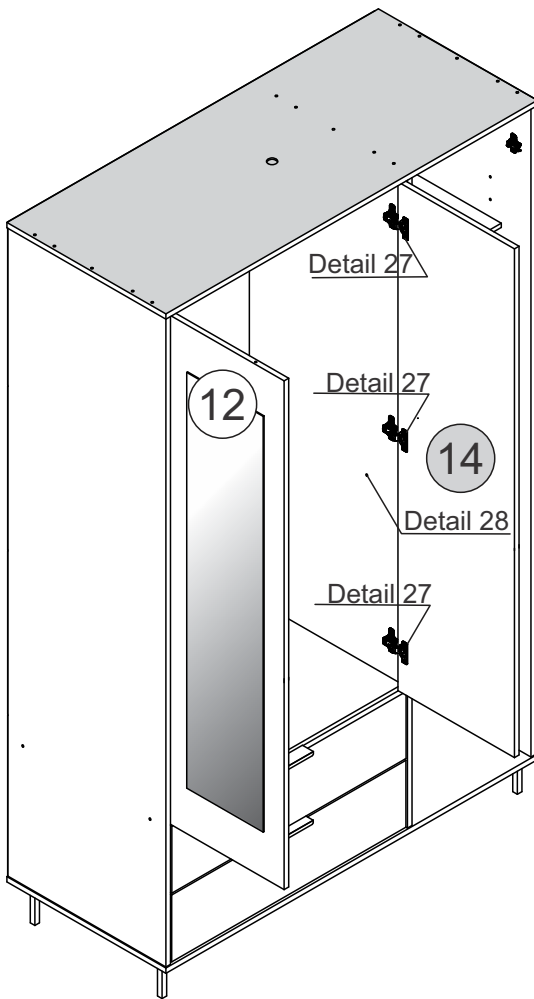
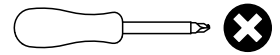


## HARDWARE REQUIRED

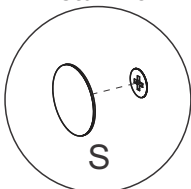
S  04

T  34

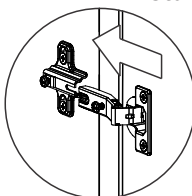
## TOOLS REQUIRED



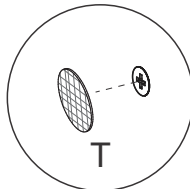
Detail 26



Detail 27



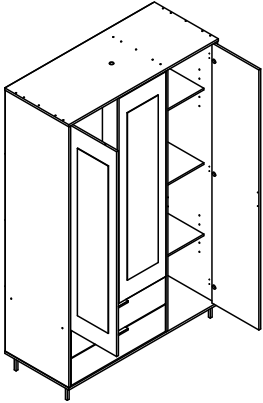
Detail 28







# STEP 24

## PARTS REQUIRED

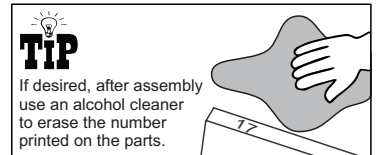
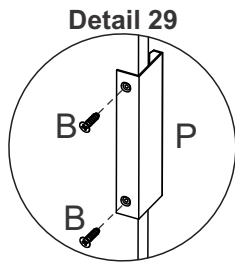
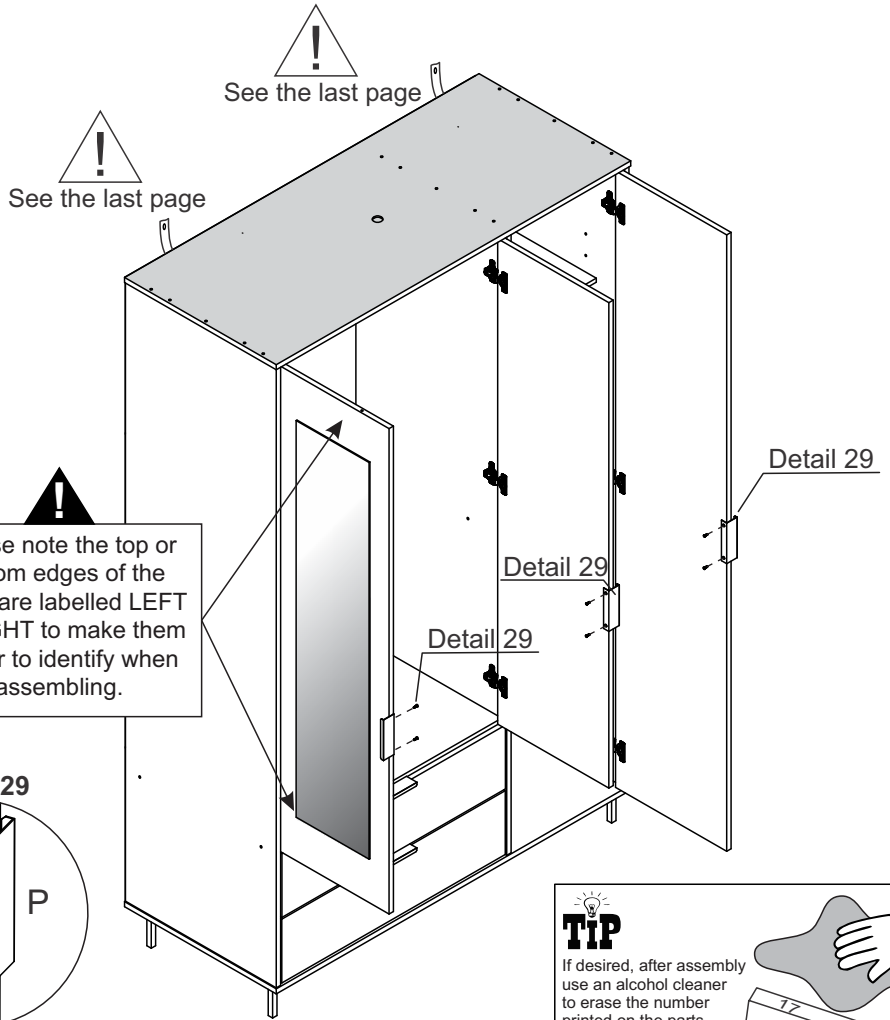
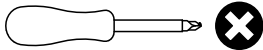


## HARDWARE REQUIRED

B  06  
Ø4,0 x 14mm

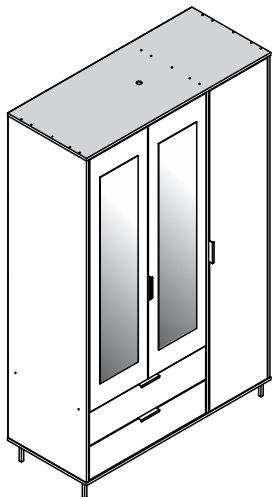
P  03

## TOOLS REQUIRED



# STEP 25

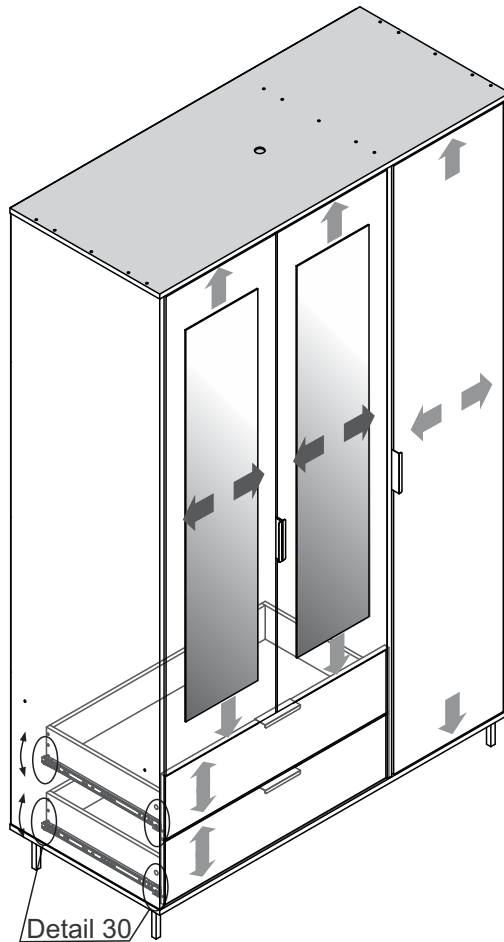
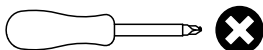
## PARTS REQUIRED



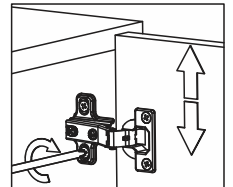
## HARDWARE REQUIRED

B  04  
Ø4,0 x 14mm

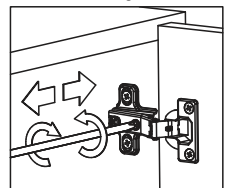
## TOOLS REQUIRED



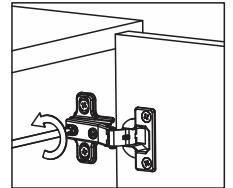
### Height Adjustment



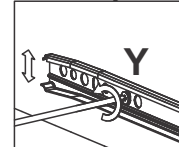
### Internal Adjustment



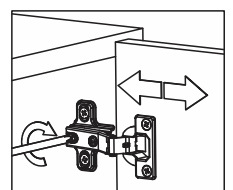
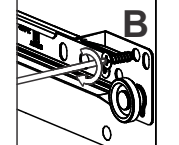
### Depth Adjustment



### Detail 30 Drawer Adjustment



### Drawer Lock



## WARNING

**Serious or fatal injuries can occur from furniture tipping over. To prevent the furniture from tipping over we recommend that it is permanently fixed to the wall.**

Wall fixings are not supplied with this product as different wall materials require different types of fixing devices.

Please make sure you use fixings suitable for the walls in your home.

