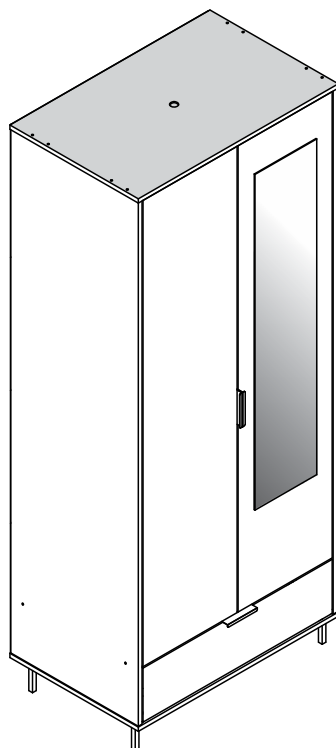


MADRID 2 DOOR 1 DRAWER WARDROBE ASSEMBLY INSTRUCTIONS

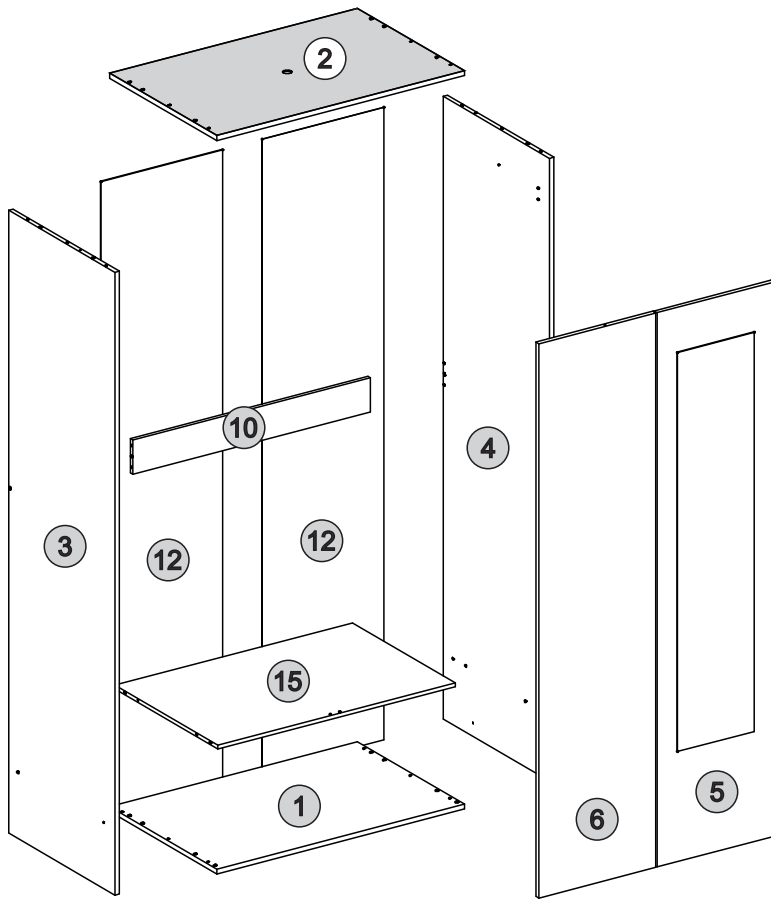


IMPORTANT
FOR DOMESTIC USE ONLY
PLEASE READ BEFORE YOU CONTINUE FURTHER

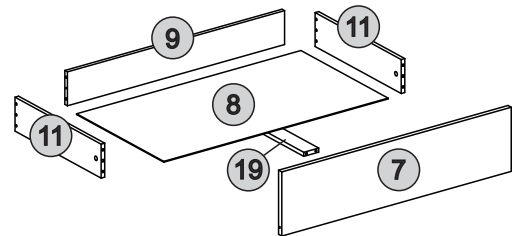
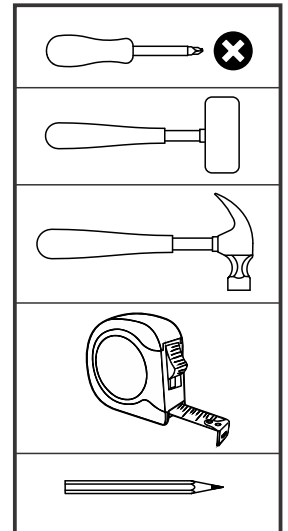
CARE AND MAINTENANCE

After unpacking this product please keep the original packaging in case it needs to be returned for any reason.

- Please ensure all fittings and parts are present before commencing with assembly.
- Never drag or push products as this could cause damage to the joints making it inferior.
- We strongly recommend that you keep children away from your work area.
- We recommend that you lay a blanket or sheet on the floor to avoid damage to both your floor and the product.
- Assemble this product as close to its final position as possible.
- Do not place this product next to a radiator or in direct sunlight.
- Do not drag or push items across your high gloss furniture as this may cause the surface to scratch
- Wood is a natural product and may expand if subjected to damp and may shrink or crack if subjected to heat. Therefore it is recommended that room temperature is maintained, with no sudden temperature fluctuations.
- Make sure any spillage is wiped off immediately.
- Do not place hot or chilled items directly on to the surface, use a place mat or marking will occur.
- For general cleaning use a soft cotton or micro fibre cloth, and do not use detergents of any kind.
- From time to time it may be necessary to tighten fittings, regular inspections should be carried out.
- Do not place on a wet or damp floor as staining may occur to your floor.



TOOLS REQUIRED



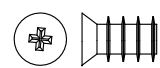
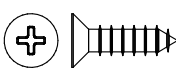
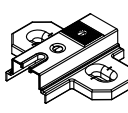
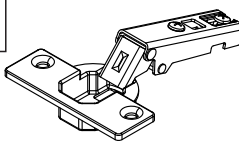
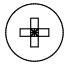
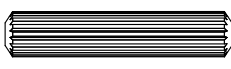

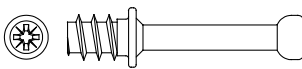

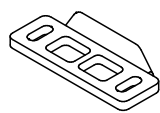
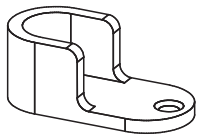



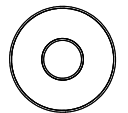
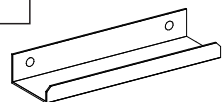
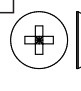
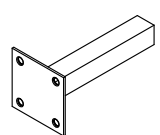

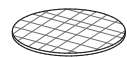
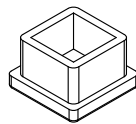
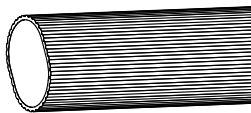
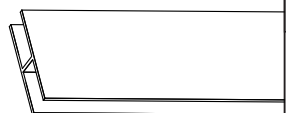
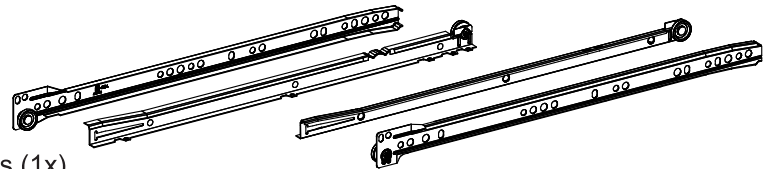
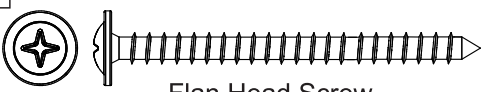
PARTS LIST

Please Note:

The below parts have all been stamped with the part number to help identify them during assembly.

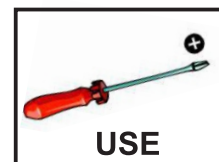
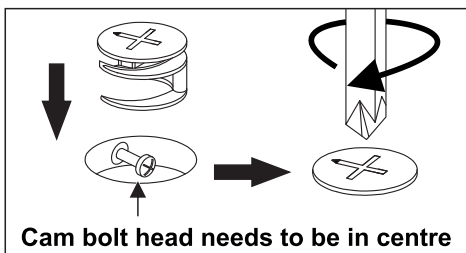
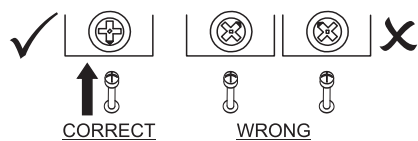
Part Number	Part Code	Part Description	Quantity	Carton
1	S100-101-189-CA1-01	Base Panel	1	1/2
2	S100-101-189-CA1-02	Top Panel	1	1/2
3	S100-101-189-CA1-03	Left Side Panel	1	1/2
4	S100-101-189-CA1-04	Right Side Panel	1	1/2
5	S100-101-189-CA1-05	Right Door	1	2/2
6	S100-101-189-CA1-06	Left Door	1	2/2
7	S100-101-189-CA1-07	Drawer Front	1	2/2
8	S100-101-189-CA1-08	Drawer Bottom	1	1/2
9	S100-101-189-CA1-09	Drawer Back Panel	1	2/2
10	S100-101-189-CA1-10	Crossbar	1	2/2
11	S100-101-189-CA1-11	Drawer Side	2	2/2
12	S100-101-189-CA1-12	Back Panel	2	2/2
15	S100-101-189-CA1-15	Drawer Top Panel	1	1/2
19	S100-101-189-CA1-19	Drawer Bottom Support Bar	1	2/2

FITTINGS LIST

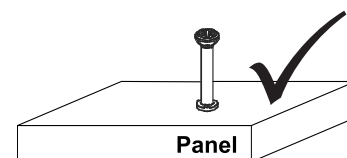
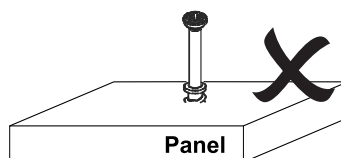
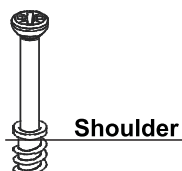
<p>A</p>  <p>Flat Head Screw Ø6,0 x 10mm (4x) +1</p>	<p>B</p>  <p>Flat Head Screw Ø4,0 x 14mm (58x) +2</p>	<p>C</p>  <p>Hinge Plate (6x)</p>	<p>D</p>  <p>Hinge (6x)</p>	
<p>E</p>  <p>Flat Head Screw Ø4,0 x 50mm (16x) +2</p>	<p>F</p>  <p>+2 Dowel Ø6,0 x 30mm (26x)</p>	<p>G</p>  <p>+2 Nail 10 x 10 (70x)</p>	<p>H</p>  <p>+1 Cam Bolt (2x)</p>	
<p>I</p>  <p>+1 Cam Nut (2x)</p>	<p>J</p>  <p>Door Stop (2x)</p>	<p>K</p>  <p>Hanging Rail Support (2x)</p>	<p>L</p>  <p>Glue (1x)</p>	<p>M</p>  <p>Strap (2x)</p>
<p>N</p>  <p>Flat Head Screw Ø3,5 x 30mm (2x) +1</p>	<p>O</p>  <p>+1 Washer (4x)</p>	<p>P</p>  <p>Handle (3x)</p>	<p>Q</p>  <p>Flat Head Screw Ø3,5 x 40mm (2x) +1</p>	
<p>R</p>  <p>Tubular Foot (4x)</p>	<p>S</p>  <p>+2 Hole Plugs (6x)</p>	<p>T</p>  <p>+2 Hole Plugs (2x)</p>	<p>U</p>  <p>+1 Internal Tip (4x)</p>	<p>V</p>  <p>Hanging Rail (1x)</p>
<p>X</p>  <p>Back Panel Strip (1x)</p>	<p>Y</p>  <p>Drawer Runners (1x)</p>			
<p>Z</p>  <p>Flan Head Screw Ø4 x 50mm (8x) +1</p>				

TIPS FOR FITTINGS CAM-LOCKS

WHEN FITTING CAM NUT. ENSURE STARTING POSITION IS CORRECT BEFORE YOU INSERT CONNECTING CAM BOLT TURN CLOCKWISE UNTIL SECURE



CAMBOLT
Tighten until shoulder in flush with panel. Do not overtighten or undertighten (see example beside)



STEP 1

PARTS REQUIRED

3 - RIGHT SIDE PANEL x1

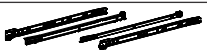
4 - LEFT SIDE PANEL x1

HARDWARE REQUIRED

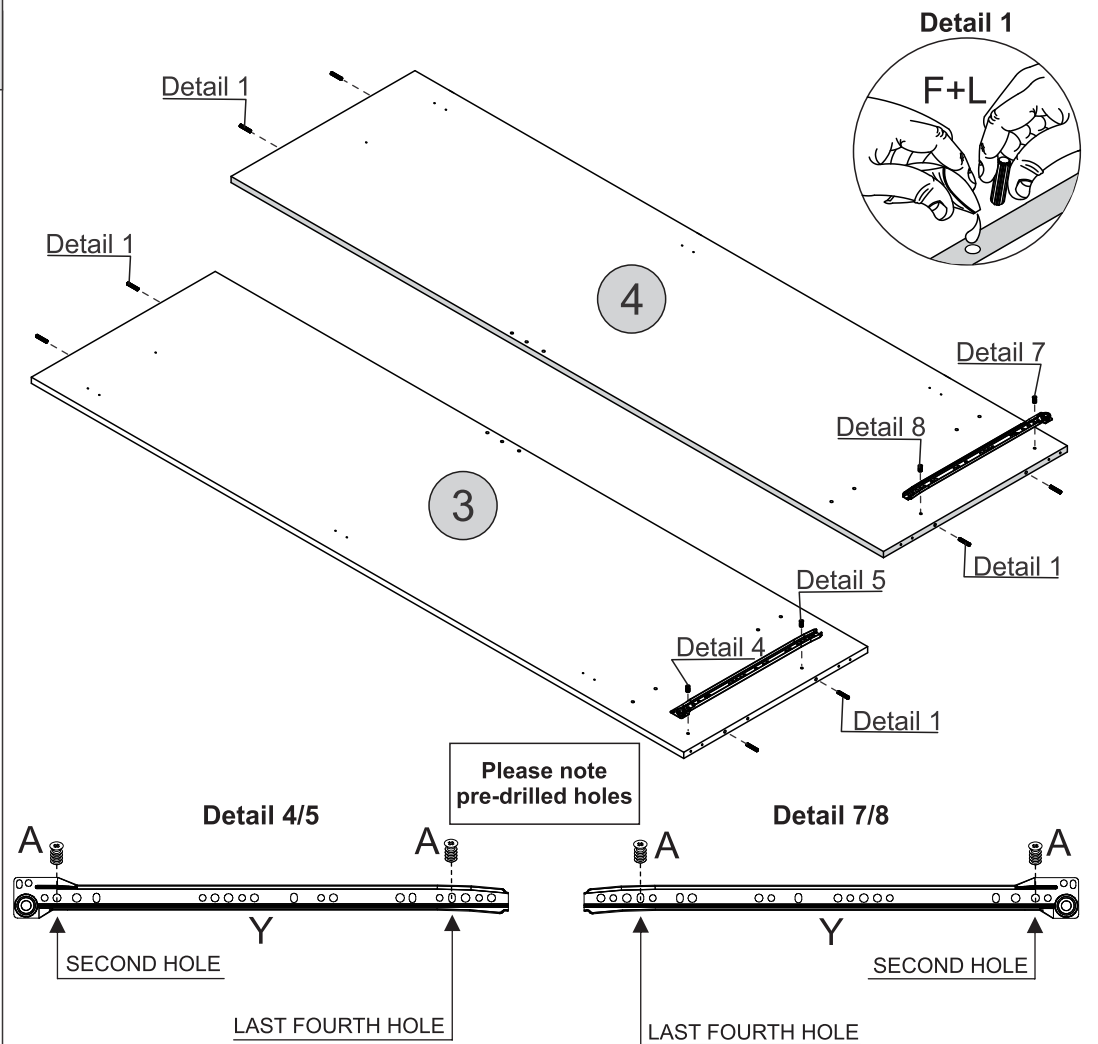
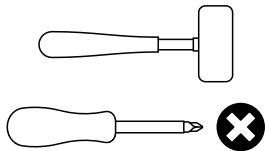
A  04
Ø6,0 x 10mm

F  08

L  01
Glue

Y  02

TOOLS REQUIRED



STEP 2

PARTS REQUIRED

3 - RIGHT SIDE PANEL x1

4 - LEFT SIDE PANEL x1

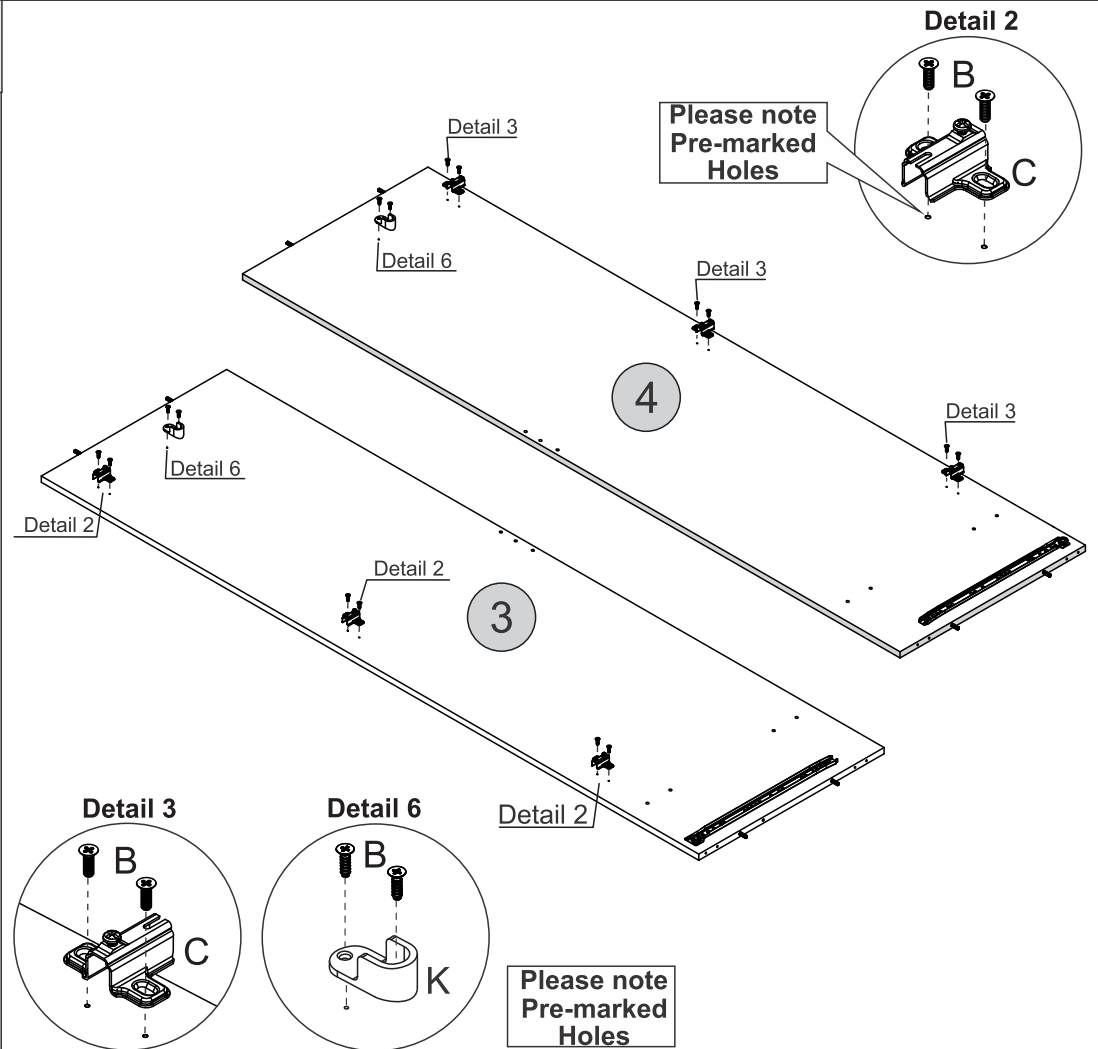
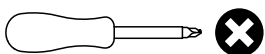
HARDWARE REQUIRED

B  16
Ø4,0 x 14mm

C  06

K  02

TOOLS REQUIRED









STEP 3

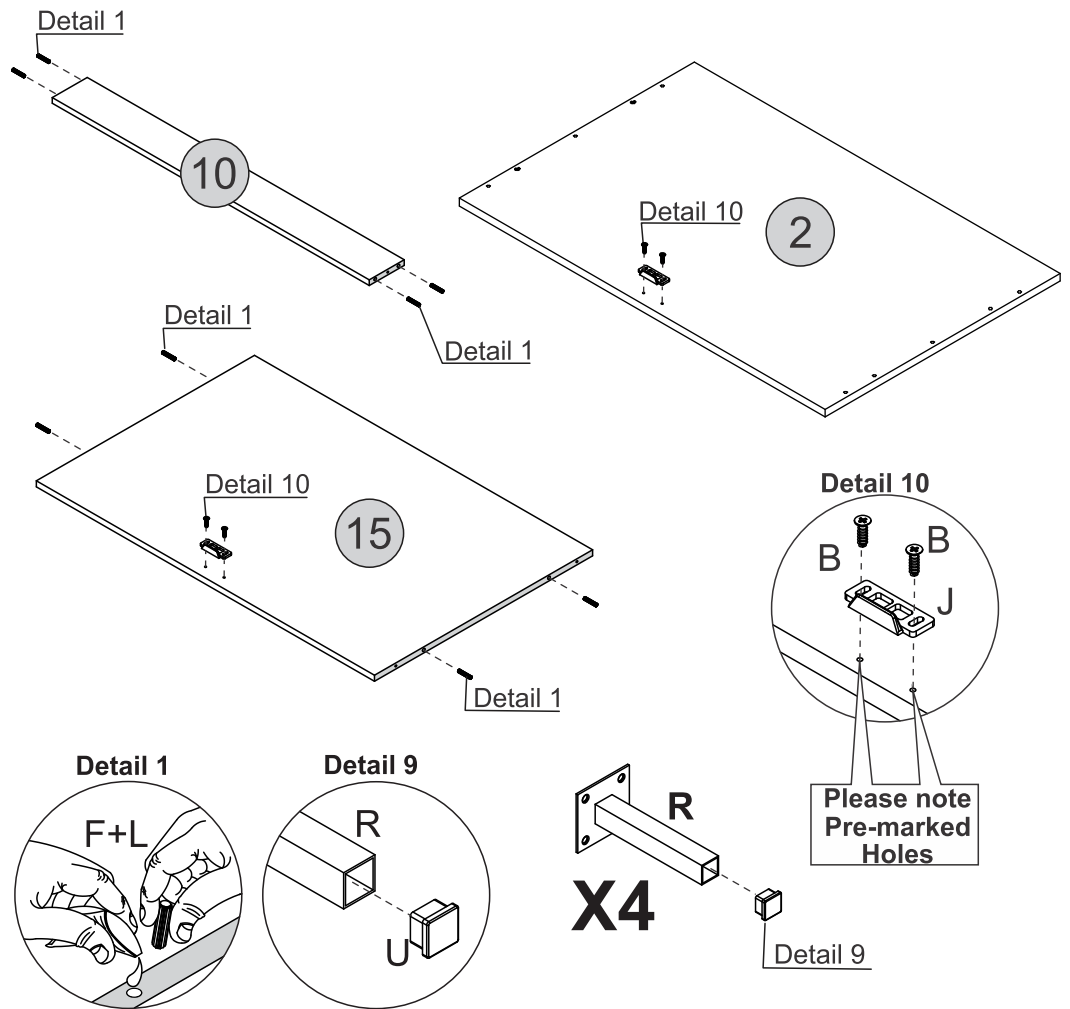
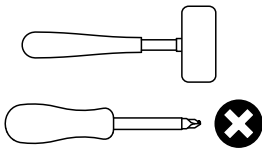
PARTS REQUIRED

2 - TOP PANEL	x1
10 - CROSSBAR	x1
15 - DRAWER TOP PANEL	x1

HARDWARE REQUIRED

B		04
F		08
J		02
L		01
R		04
U		04

TOOLS REQUIRED

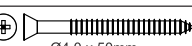


STEP 4

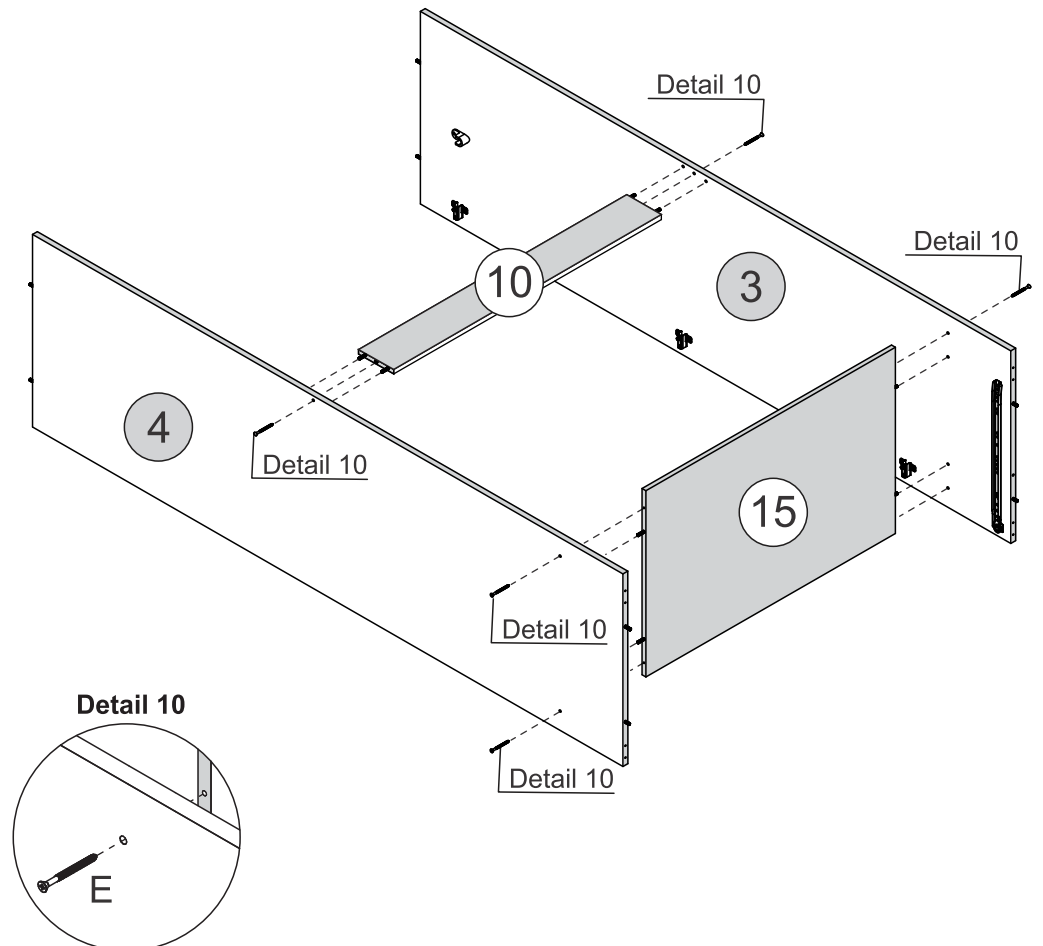
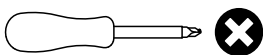
PARTS REQUIRED

3 - LEFT SIDE PANEL	x1
4 - RIGHT SIDE PANEL	x1
10 - CROSSBAR	x1
15 - DRAWER TOP PANEL	x1

HARDWARE REQUIRED

E		06
---	---	----

TOOLS REQUIRED

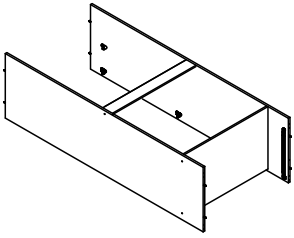


STEP 5

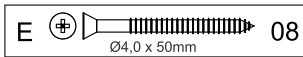
PARTS REQUIRED

1 - BASE PANEL x1

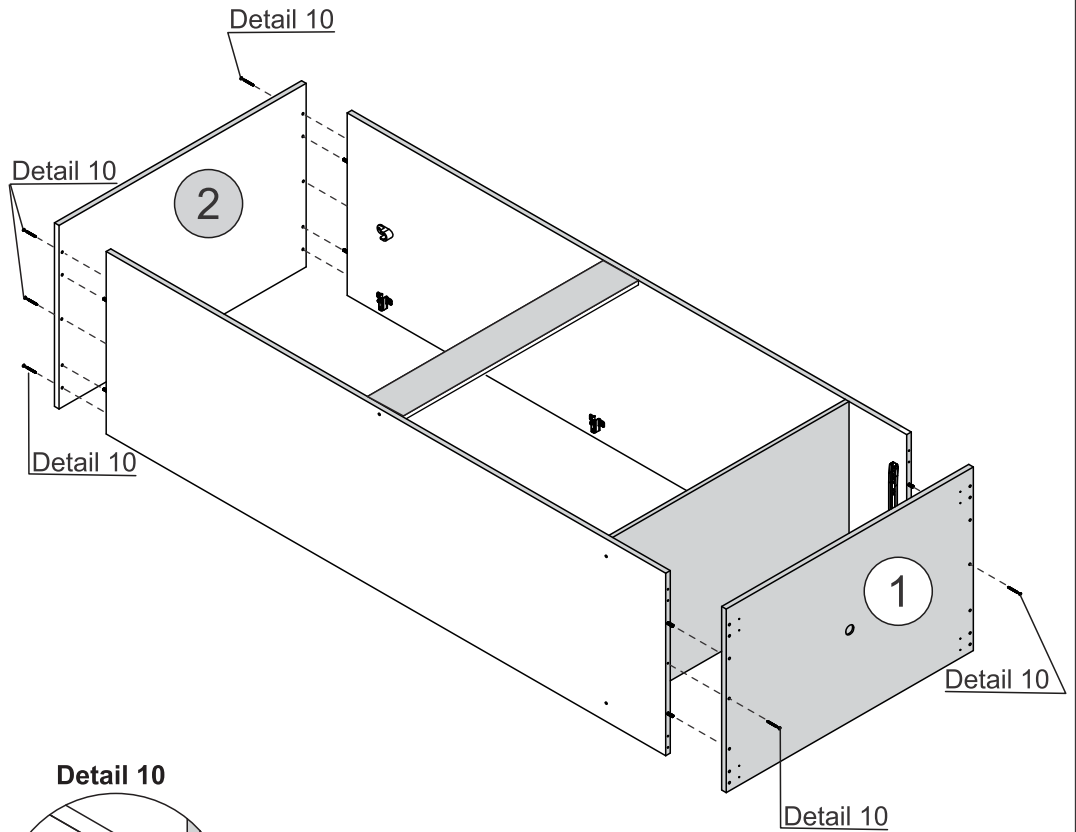
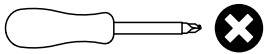
2 - TOP PANEL x1



HARDWARE REQUIRED

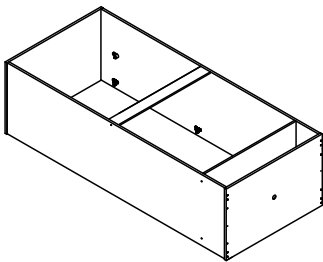


TOOLS REQUIRED

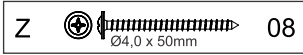
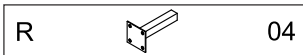


STEP 6

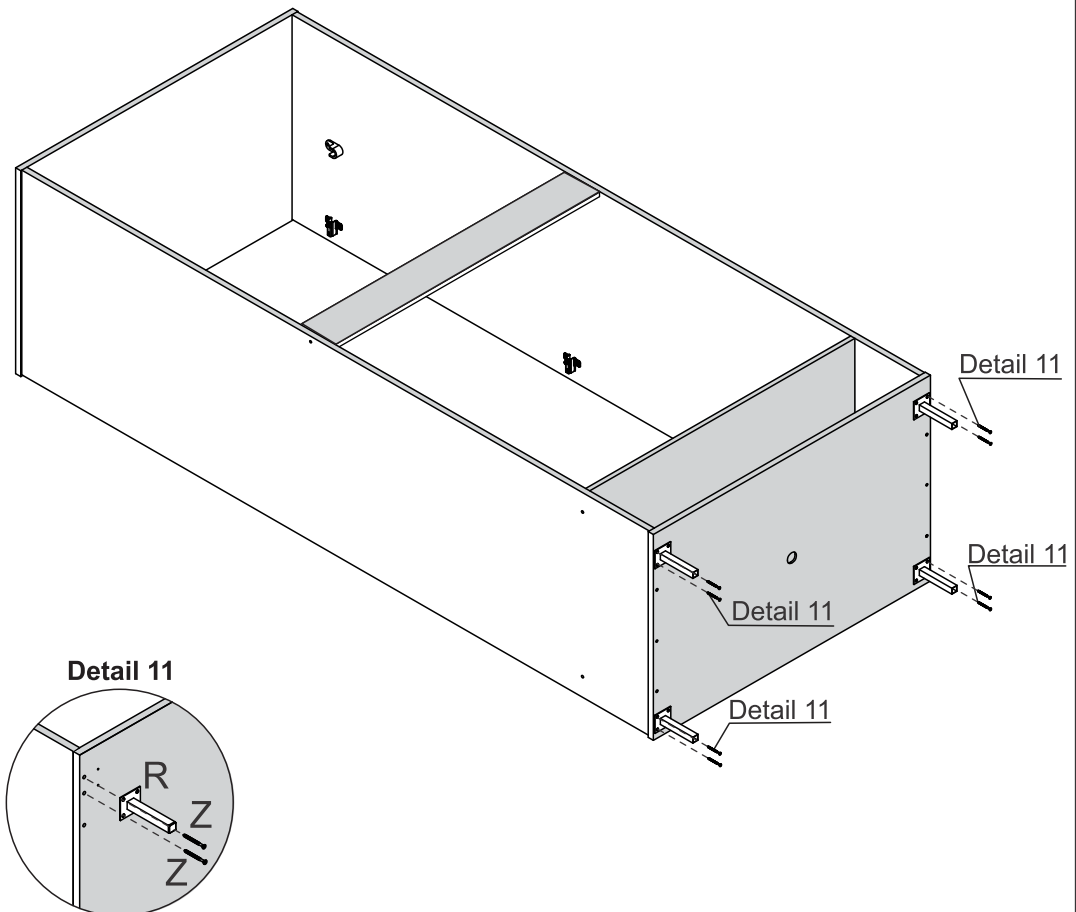
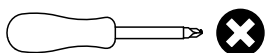
PARTS REQUIRED



HARDWARE REQUIRED

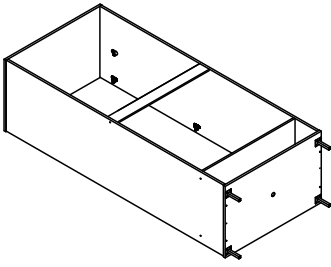


TOOLS REQUIRED

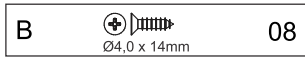


STEP 7

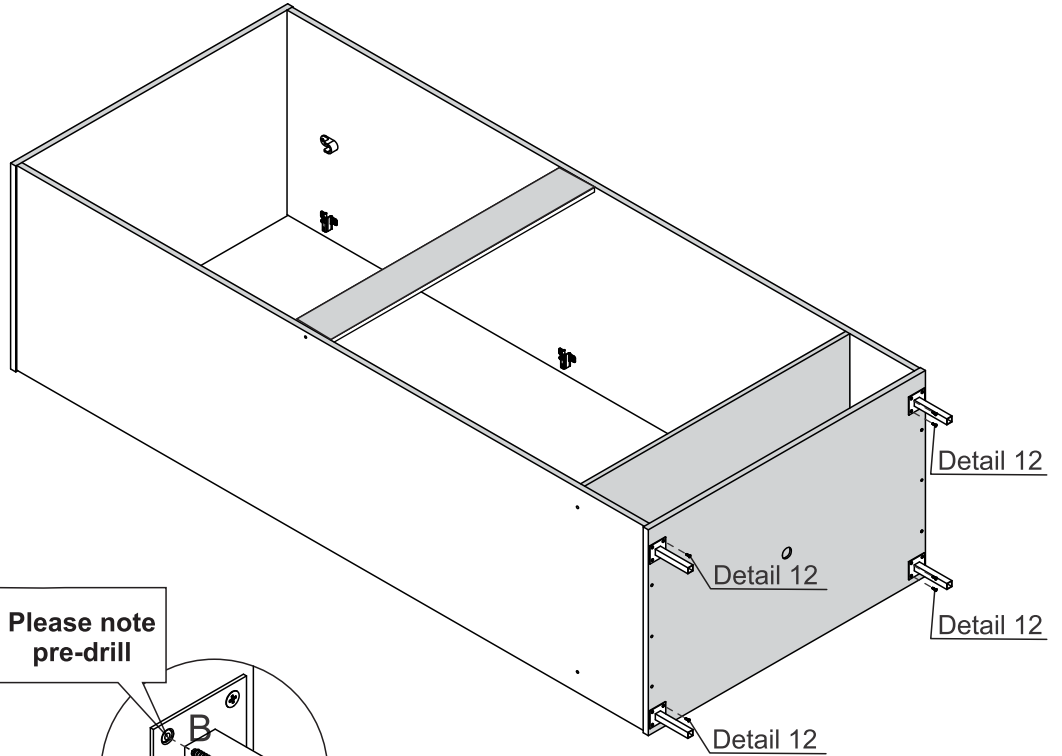
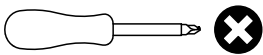
PARTS REQUIRED



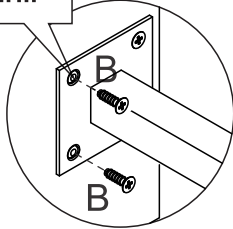
HARDWARE REQUIRED



TOOLS REQUIRED



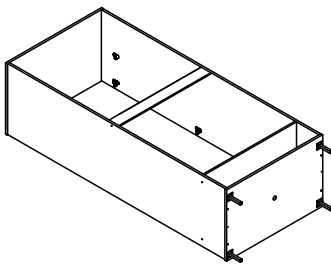
Please note pre-drill



Detail 12

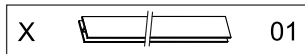
STEP 8

PARTS REQUIRED

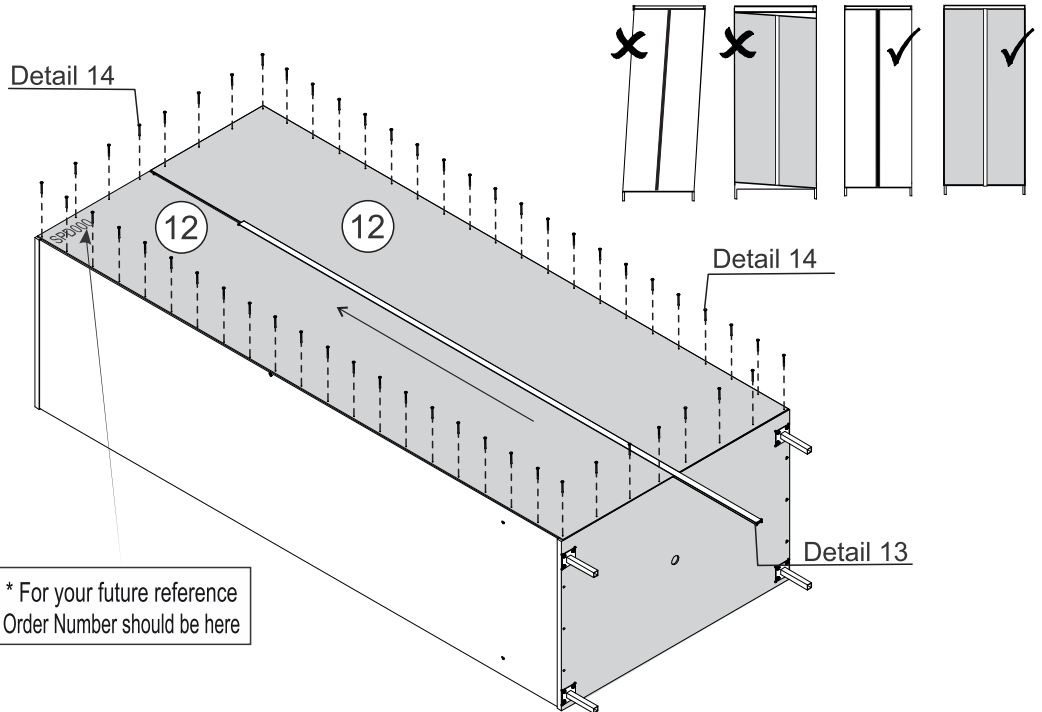
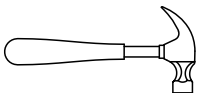


12 - BACK PANEL	x2
-----------------	----

HARDWARE REQUIRED

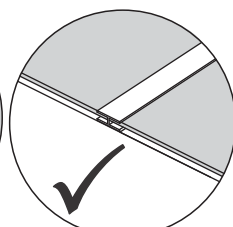
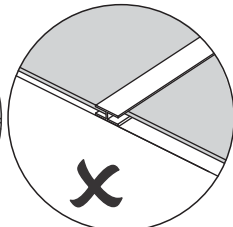
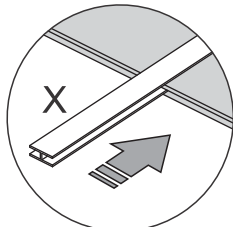


TOOLS REQUIRED

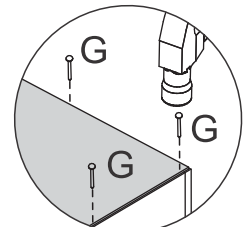


* For your future reference
Order Number should be here

Detail 13

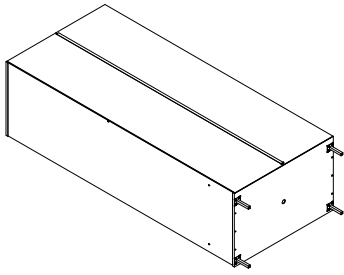


Detail 14

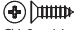



STEP 9

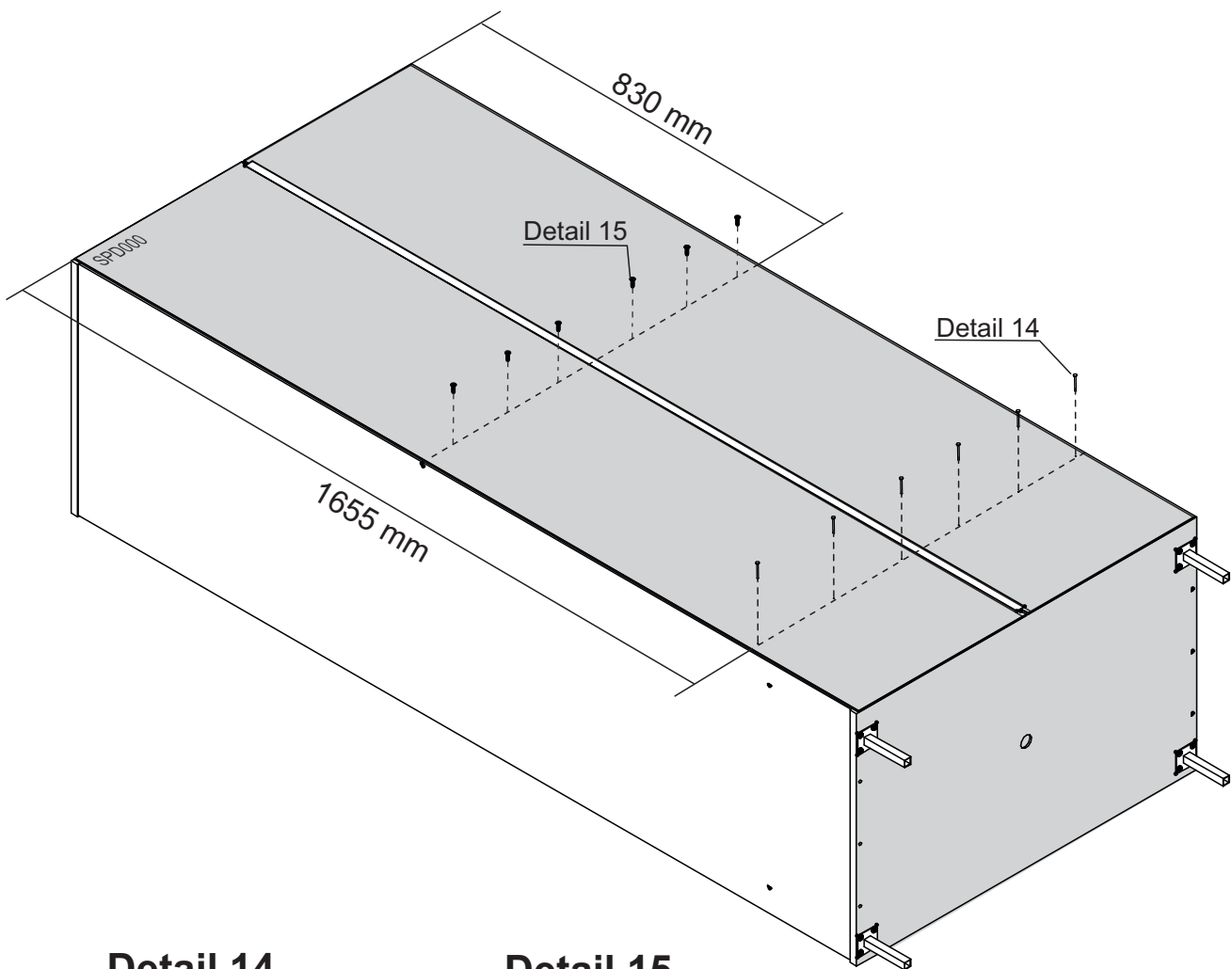
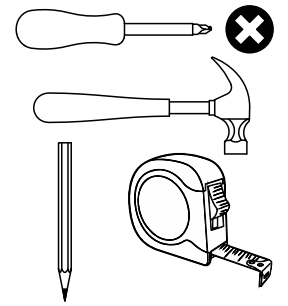
PARTS REQUIRED



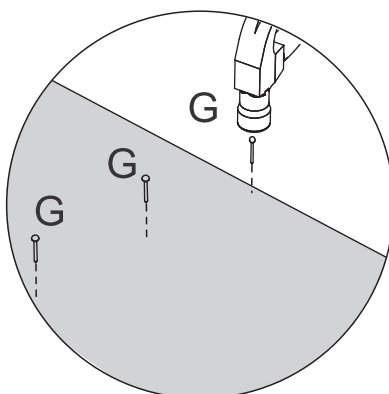
HARDWARE REQUIRED

B	 Ø4.0 x 14mm	06
G		06

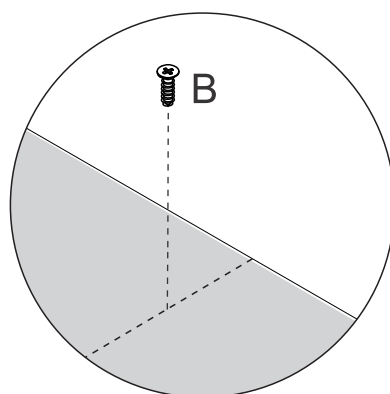
TOOLS REQUIRED



Detail 14

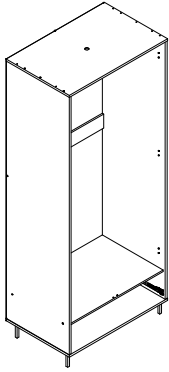


Detail 15

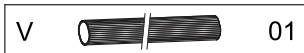


STEP 10

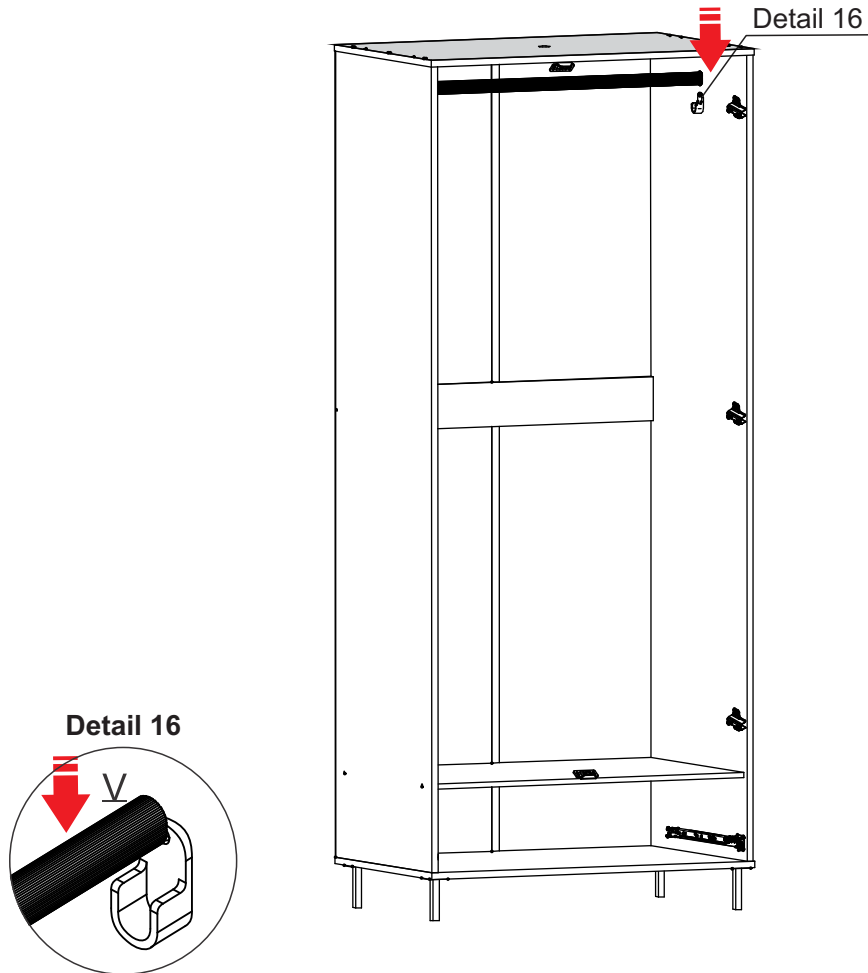
PARTS REQUIRED



HARDWARE REQUIRED



TOOLS REQUIRED



STEP 11

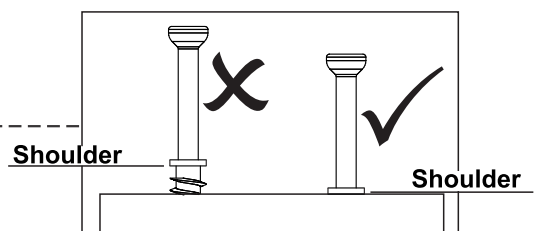
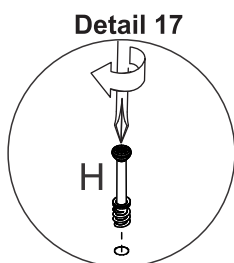
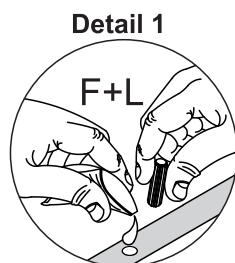
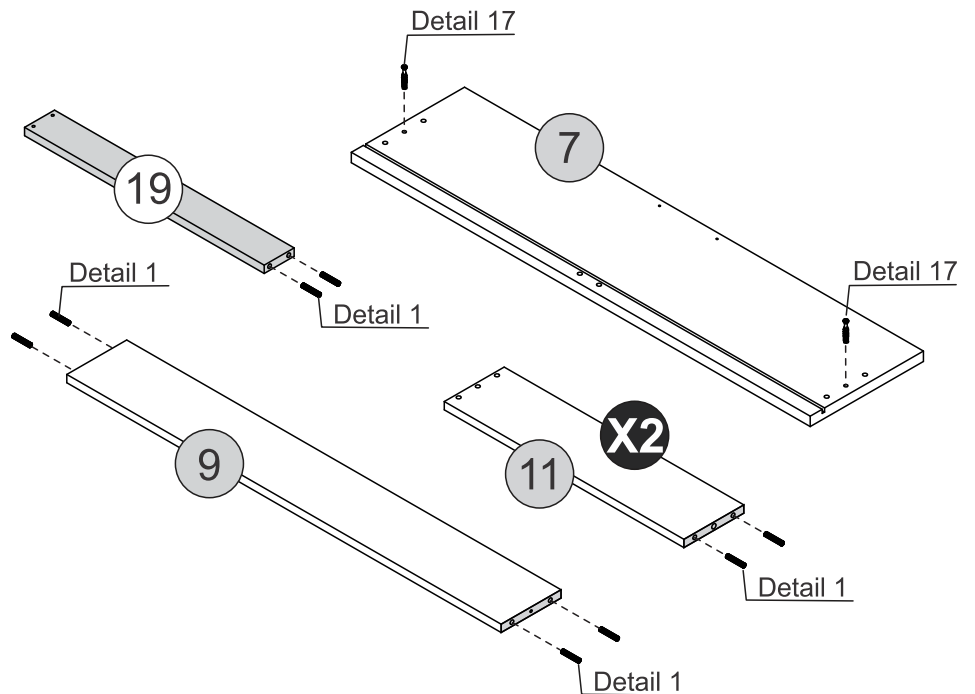
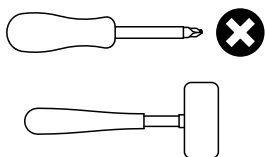
PARTS REQUIRED

7 - DRAWER FRONT	x1
9 - DRAWER BACK PANEL	x1
11 - DRAWER SIDE	x2
19 - DRAWER BOTTOM SUPPORT BAR	x1

HARDWARE REQUIRED

F		10
H		02
L		01

TOOLS REQUIRED




STEP 12

PARTS REQUIRED

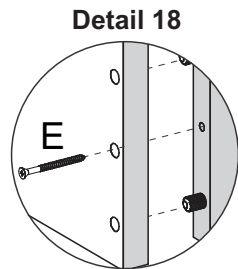
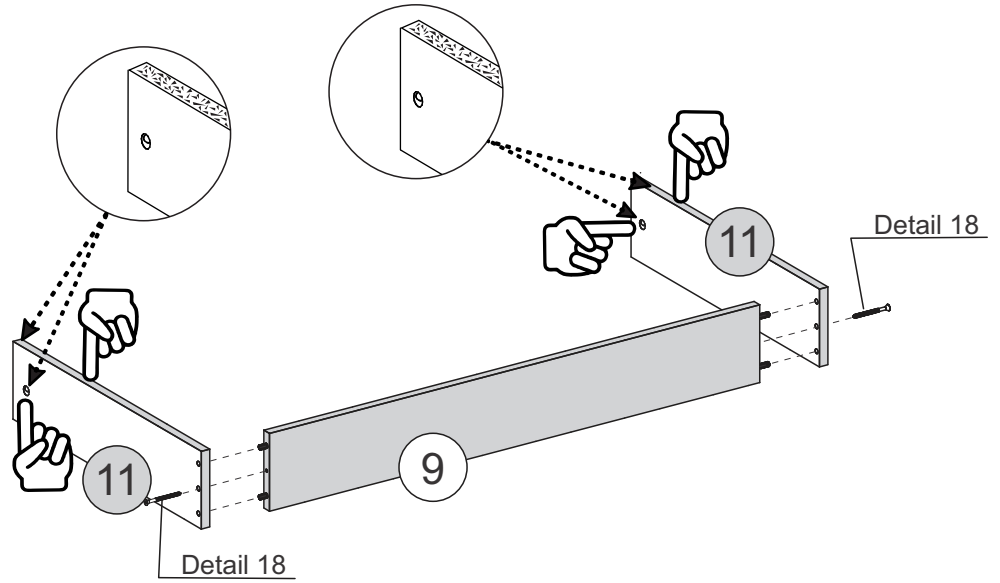
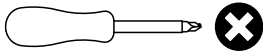
9 - DRAWER BACK PANEL x1

11 - DRAWER SIDE x2

HARDWARE REQUIRED

E  02
Ø4,0 x 50mm

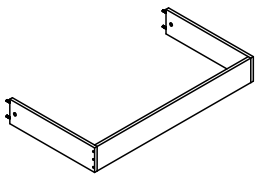
TOOLS REQUIRED



STEP 13

PARTS REQUIRED


7 - DRAWER FRONT x1



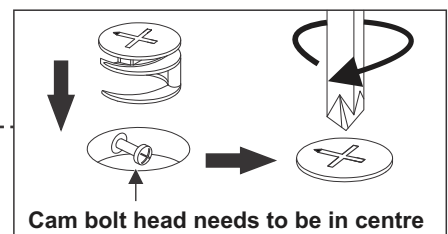
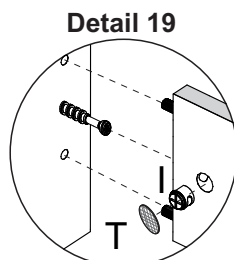
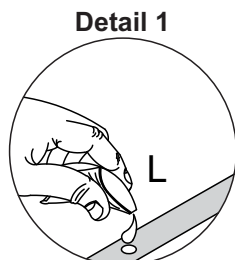
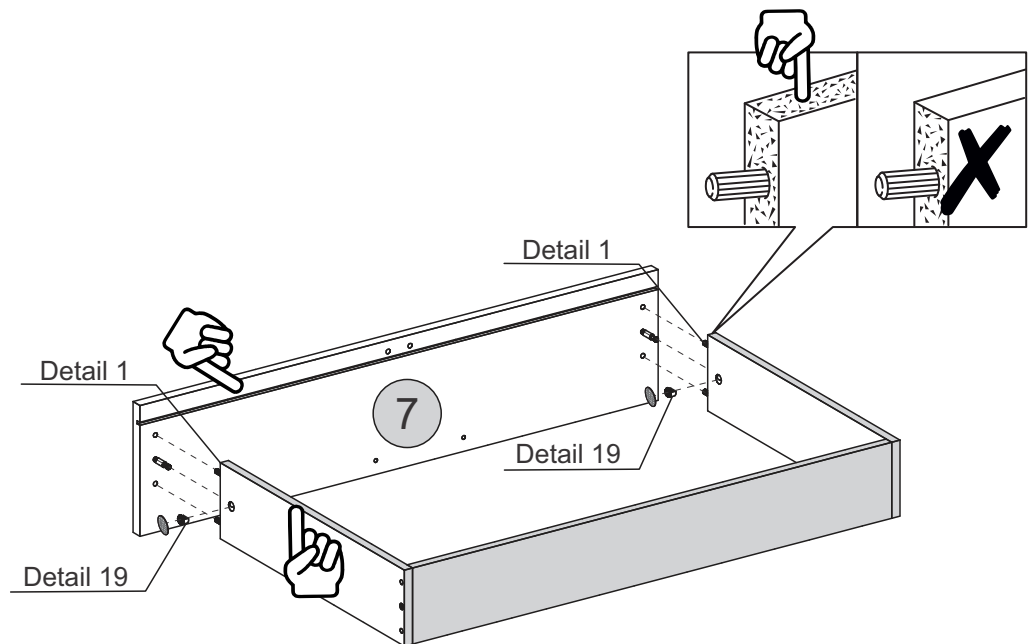
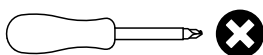
HARDWARE REQUIRED

I  02

L  01

T  02

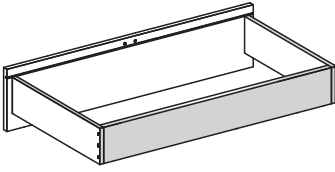
TOOLS REQUIRED



STEP 14

PARTS REQUIRED

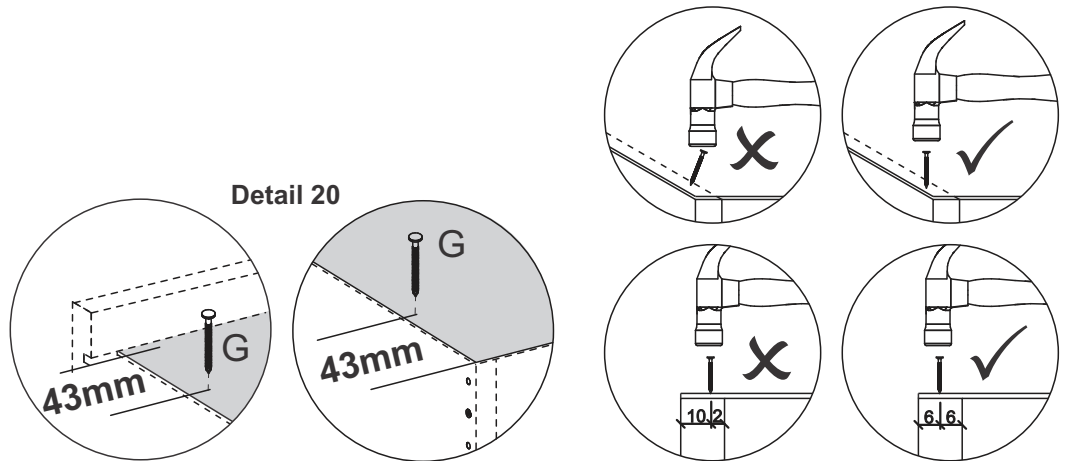
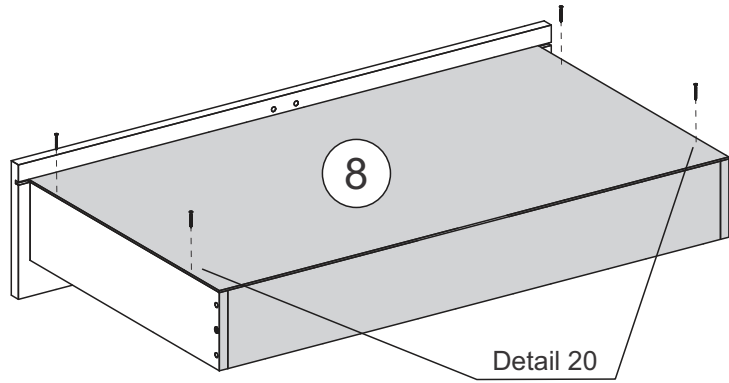
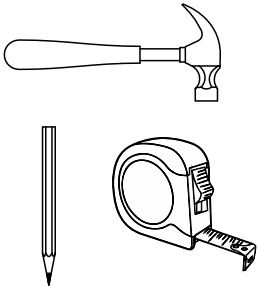
8 - DRAWER BOTTOM x1



HARDWARE REQUIRED

G  04

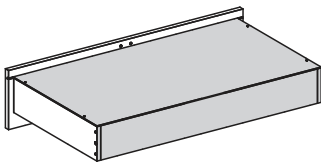
TOOLS REQUIRED



STEP 15

PARTS REQUIRED

19 - DRAWER BOTTOM SUPPORT BAR x1



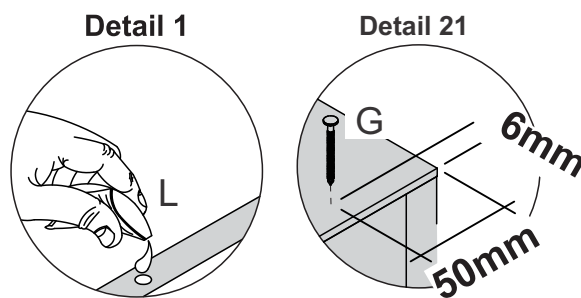
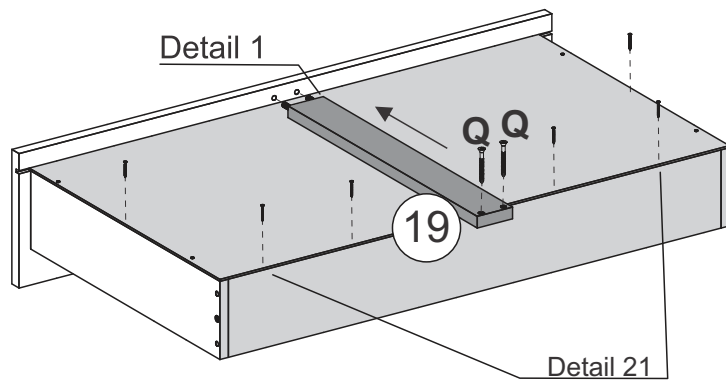
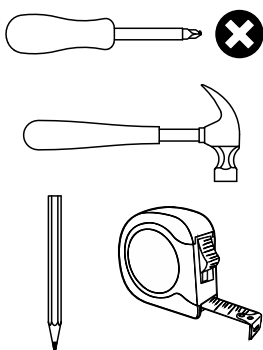
HARDWARE REQUIRED

G  06

L  01

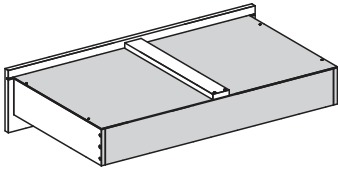
Q  Ø3.5 x 40mm 02

TOOLS REQUIRED



STEP 16

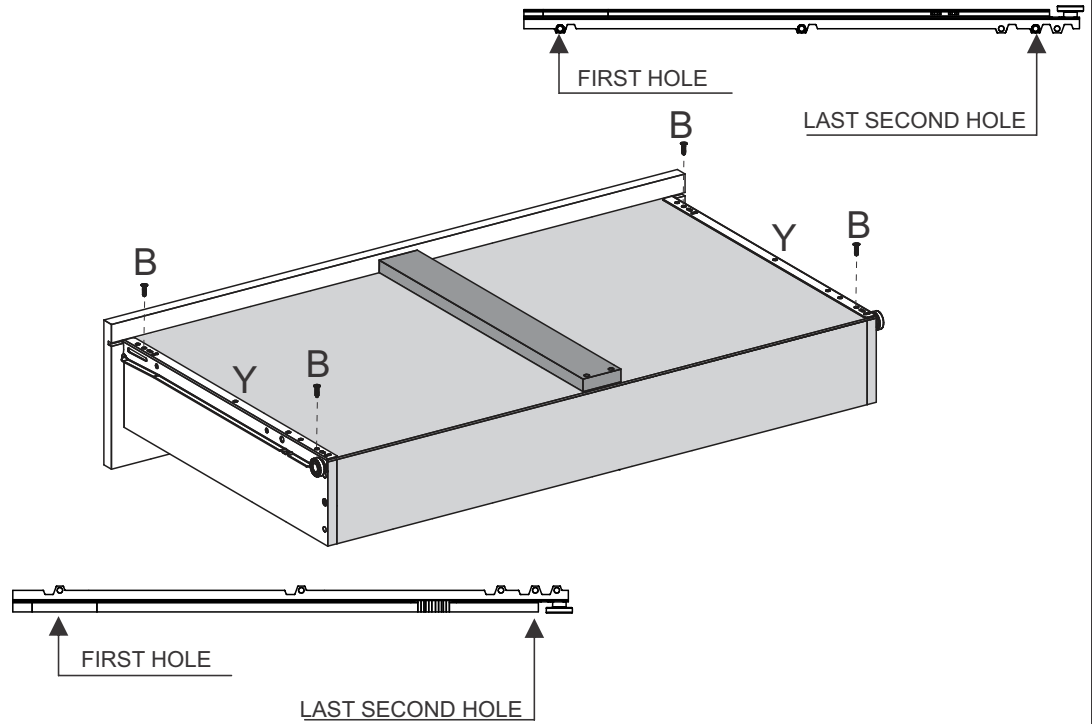
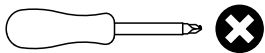
PARTS REQUIRED



HARDWARE REQUIRED

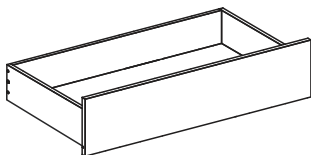


TOOLS REQUIRED

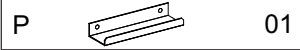


STEP 17

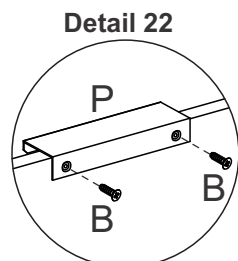
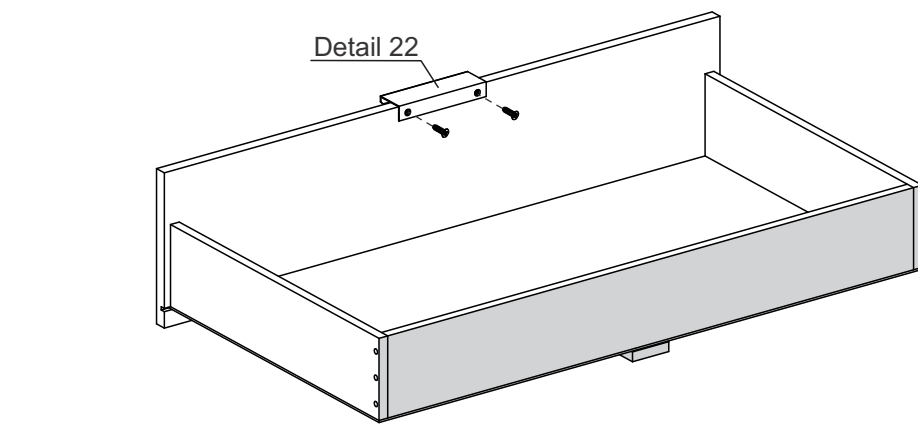
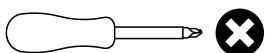
PARTS REQUIRED



HARDWARE REQUIRED



TOOLS REQUIRED



STEP 18

PARTS REQUIRED

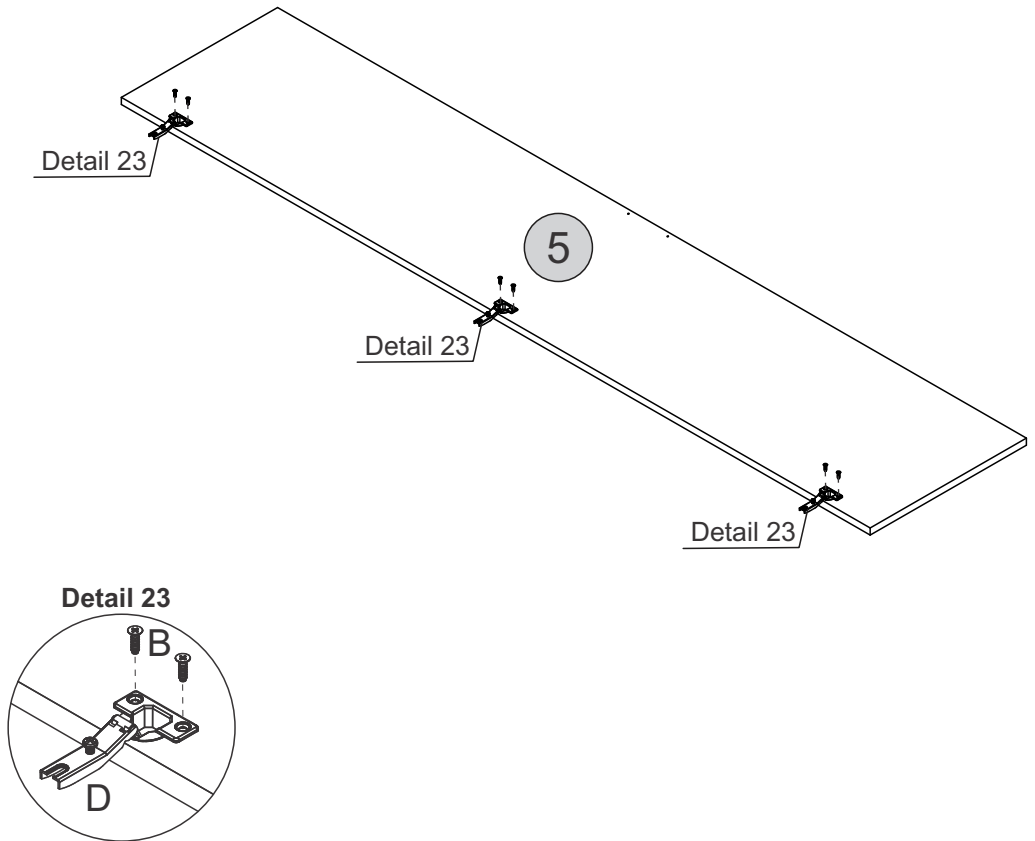
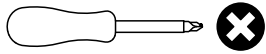
5 - RIGHT DOOR x1

HARDWARE REQUIRED

B  06
Ø4,0 x 14mm

D  03

TOOLS REQUIRED




STEP 19

PARTS REQUIRED

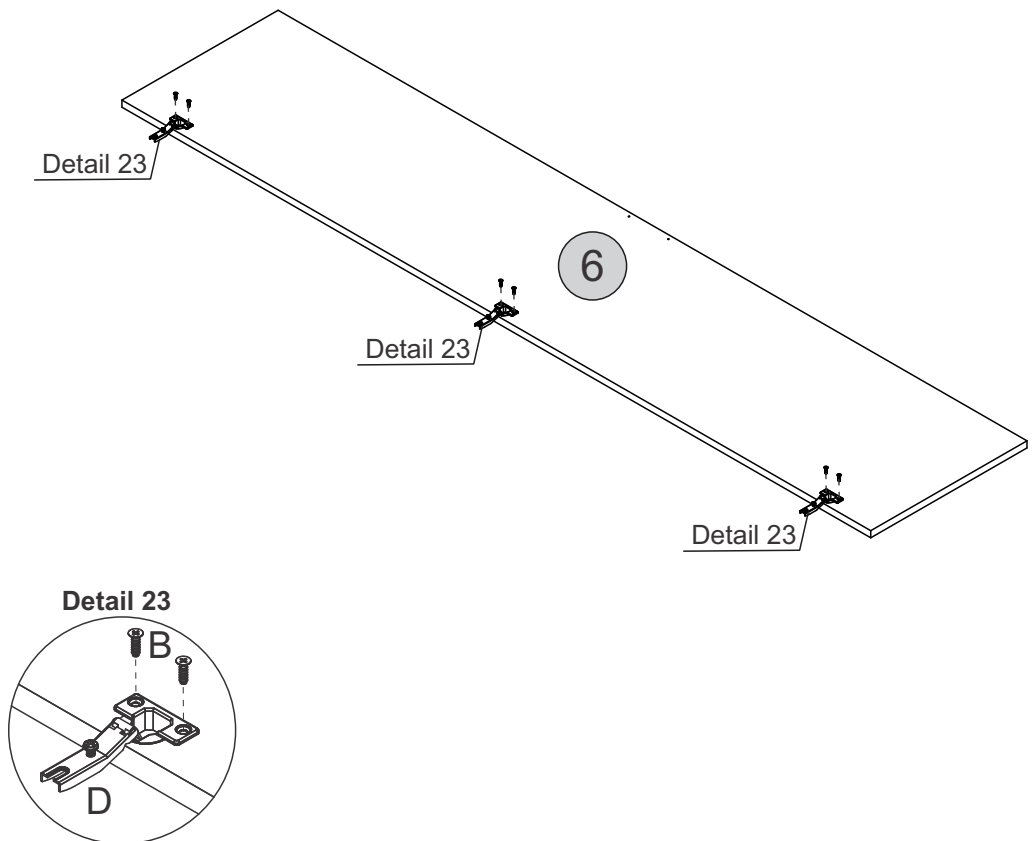
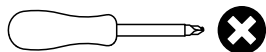
6 - LEFT DOOR x1

HARDWARE REQUIRED

B  06
Ø4,0 x 14mm

D  03

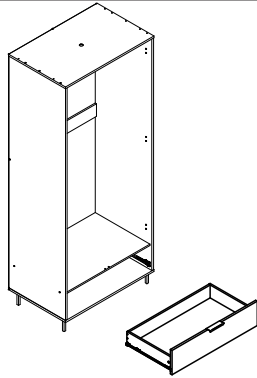
TOOLS REQUIRED



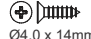


STEP 20

PARTS REQUIRED

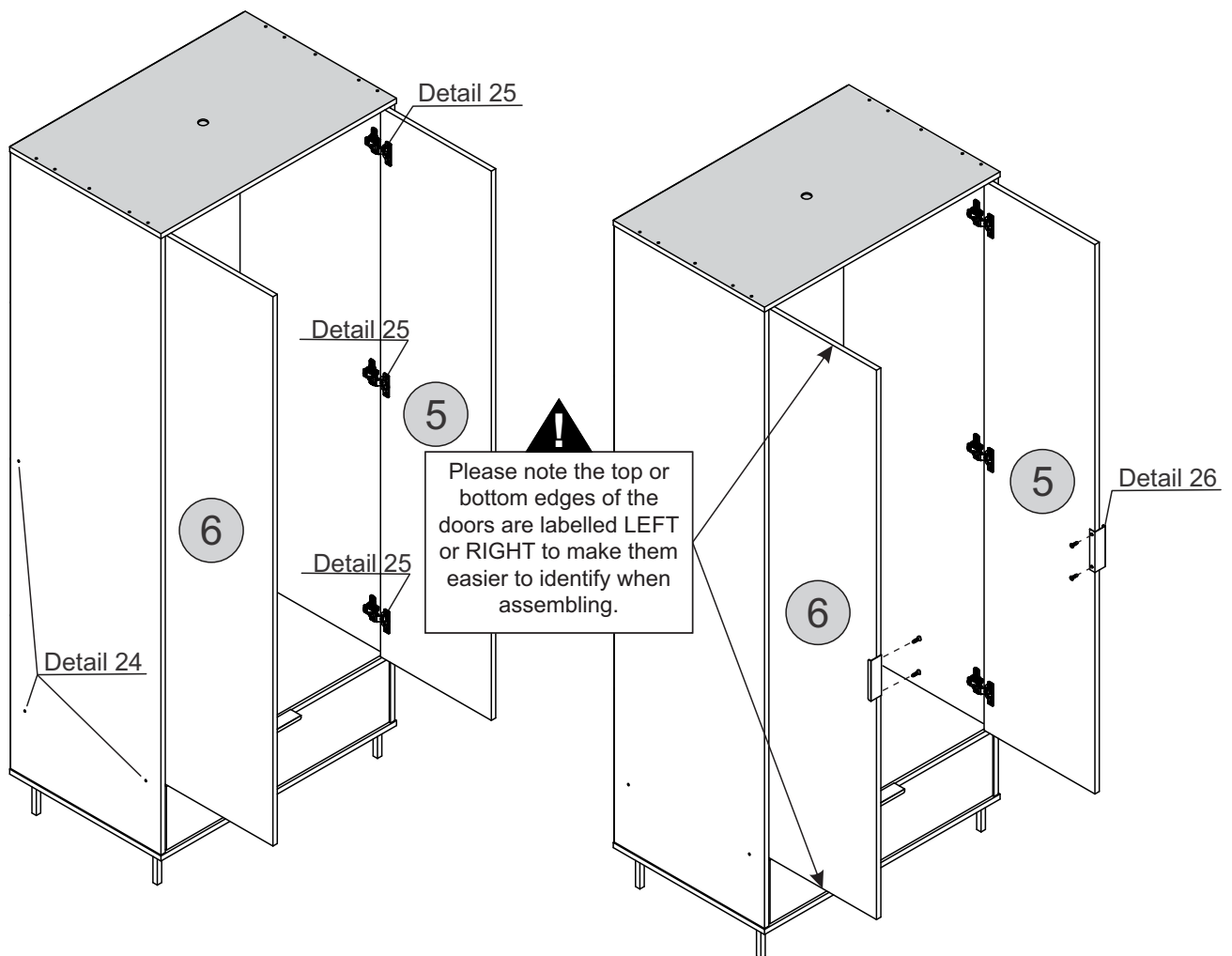
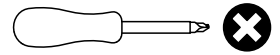
5 - RIGHT DOOR	x1
6 - LEFT DOOR	x1



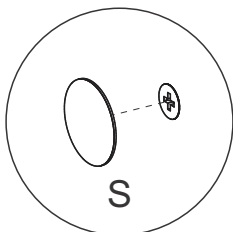
HARDWARE REQUIRED

B	 Ø4.0 x 14mm	04
P		02
S		06

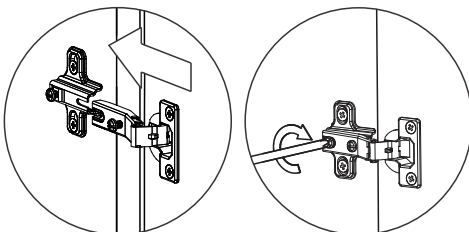
TOOLS REQUIRED



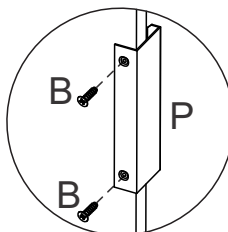
Detail 24



Detail 25

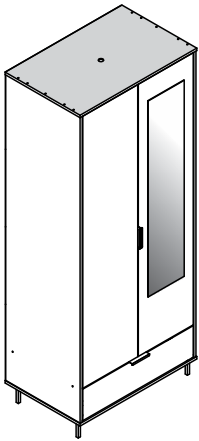


Detail 26



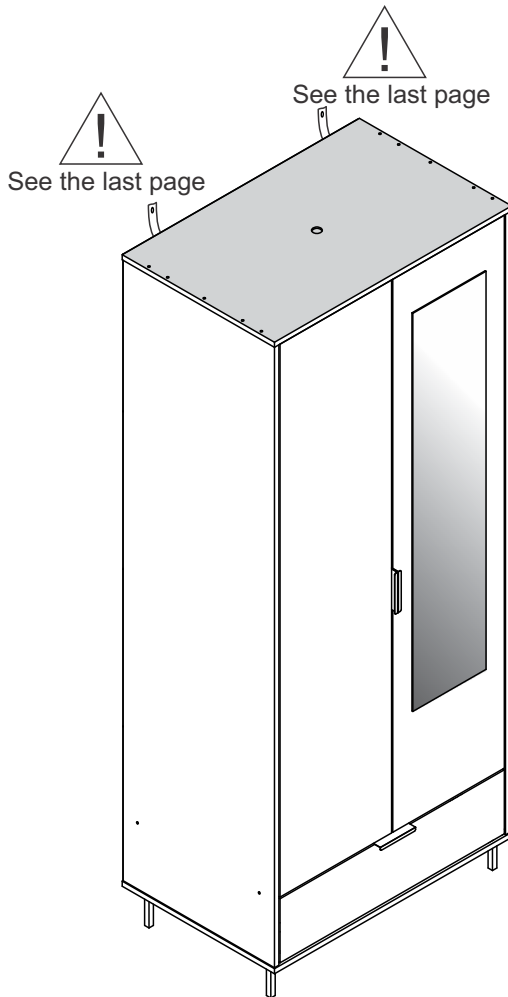
STEP 21

PARTS REQUIRED



HARDWARE REQUIRED

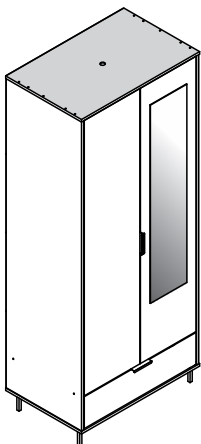
TOOLS REQUIRED



TIP
 If desired, after assembly use an alcohol cleaner to erase the number printed on the parts.

STEP 22

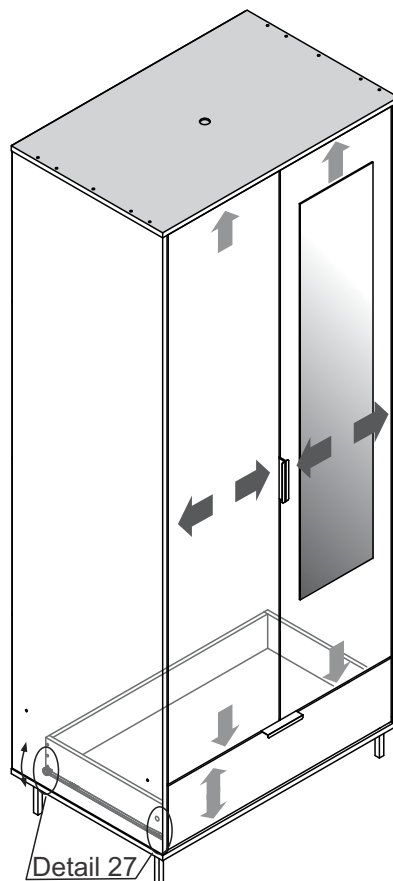
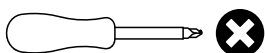
PARTS REQUIRED



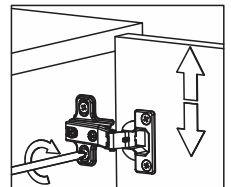
HARDWARE REQUIRED

B 02
 Ø4,0 x 14mm

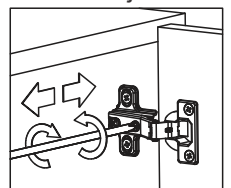
TOOLS REQUIRED



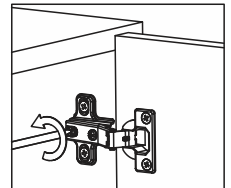
Height Adjustment



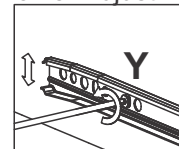
Internal Adjustment



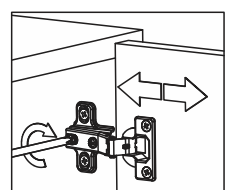
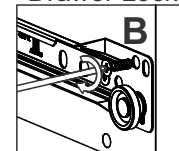
Depth Adjustment



**Detail 27
 Drawer Adjustment**



Drawer Lock



WARNING

Serious or fatal injuries can occur from furniture tipping over. To prevent the furniture from tipping over we recommend that it is permanently fixed to the wall.

Wall fixings are not supplied with this product as different wall materials require different types of fixing devices.

Please make sure you use fixings suitable for the walls in your home.

