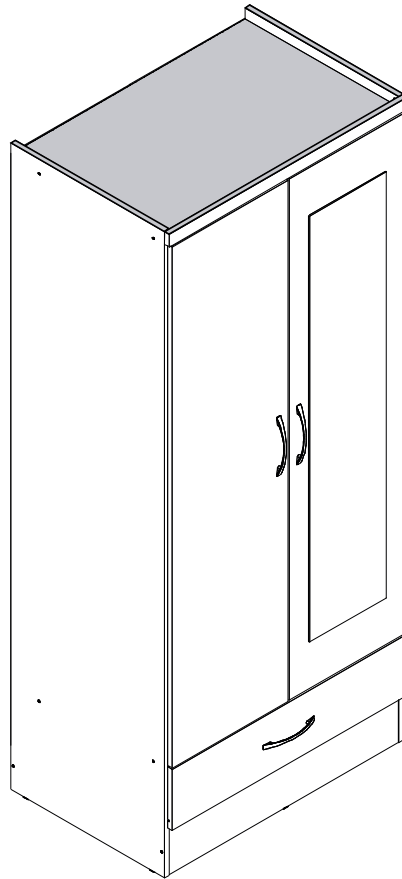


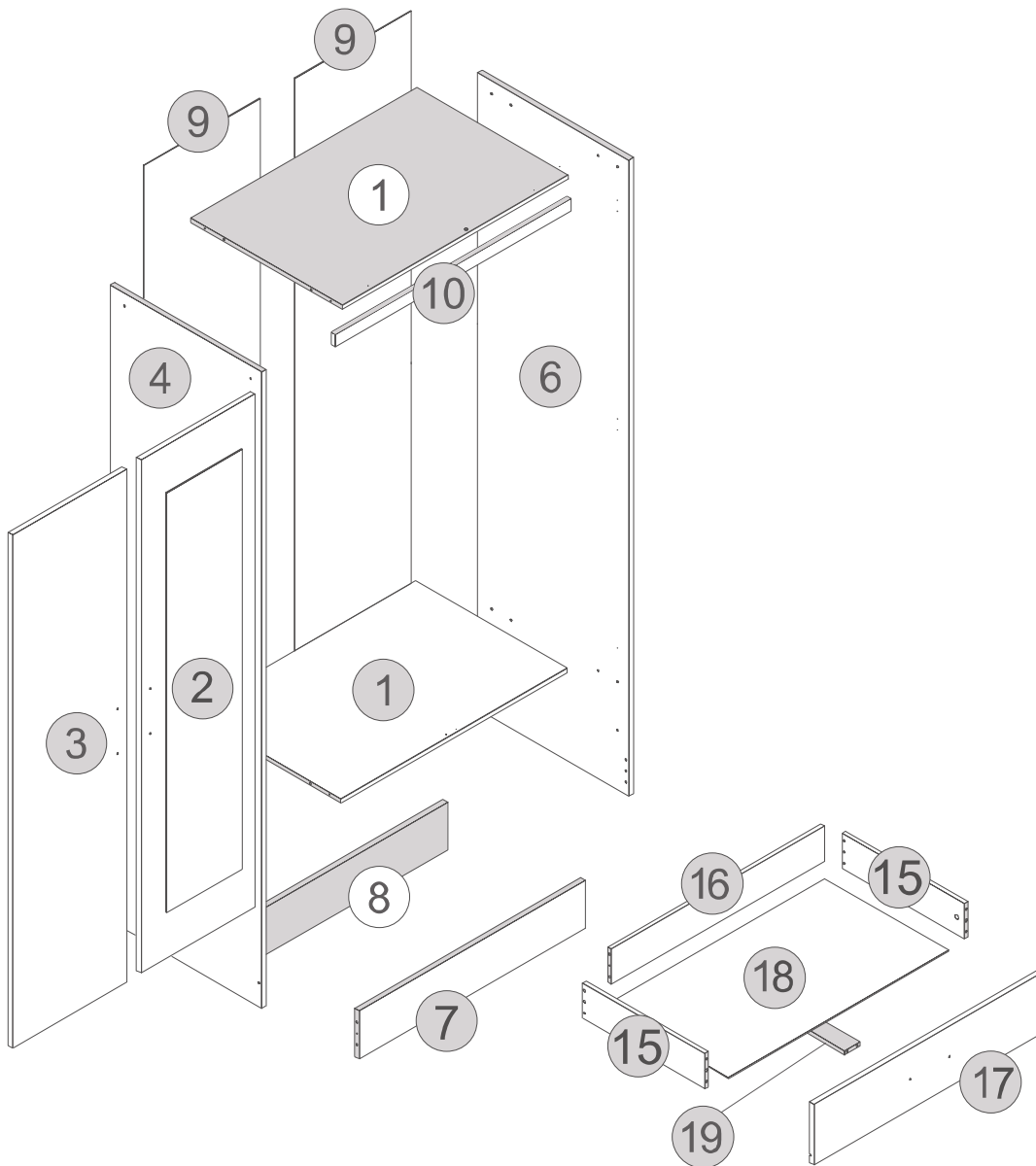
NEVADA MIRRORED 2 DOOR WARDROBE ASSEMBLY INSTRUCTIONS



IMPORTANT FOR DOMESTIC USE ONLY PLEASE READ BEFORE YOU CONTINUE FURTHER CARE AND MAINTENANCE

After unpacking this product please keep the original packaging in case it needs to be returned for any reason.

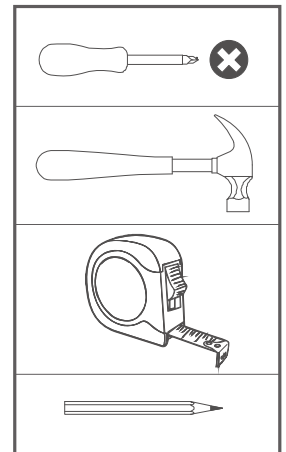
- Please ensure all fittings and parts are present before commencing with assembly.
- Never drag or push products as this could cause damage to the joints making it inferior.
- We strongly recommend that you keep children away from your work area.
- We recommend that you lay a blanket or sheet on the floor to avoid damage to both your floor and the product.
- Assemble this product as close to its final position as possible.
- Do not place this product next to a radiator or in direct sunlight.
- Do not drag or push items across your high gloss furniture as this may cause the surface to scratch
- Wood is a natural product and may expand if subjected to damp and may shrink or crack if subjected to heat. Therefore it is recommended that room temperature is maintained, with no sudden temperature fluctuations.
- Make sure any spillage is wiped off immediately.
- Do not place hot or chilled items directly on to the surface, use a place mat or marking will occur.
- For general cleaning use a soft cotton or micro fibre cloth, and do not use detergents of any kind.
- From time to time it may be necessary to tighten fittings, regular inspections should be carried out.
- Do not place on a wet or damp floor as staining may occur to your floor.



TIP

After assembly use an alcohol based product/cleaner to erase the numbers printed on the parts that are visual.

TOOLS REQUIRED


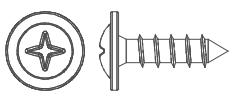

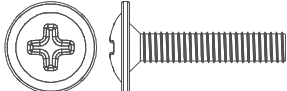

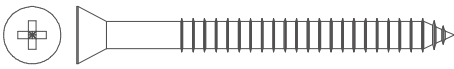
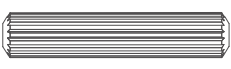


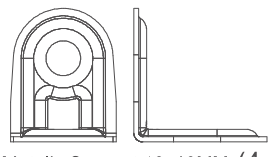

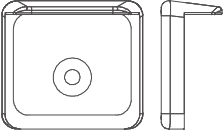
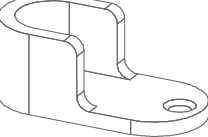
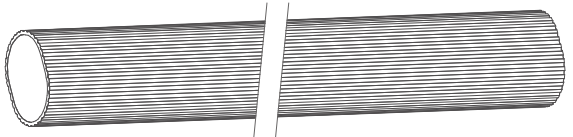
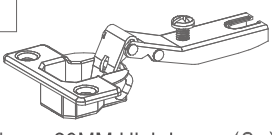
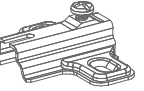
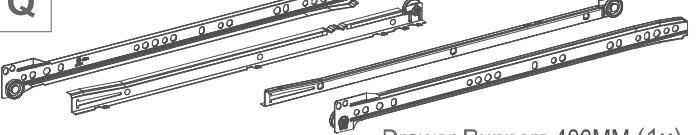





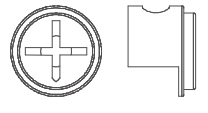
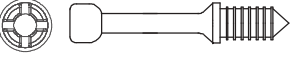

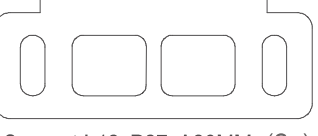



PARTS LIST

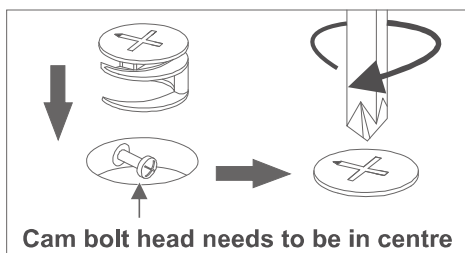
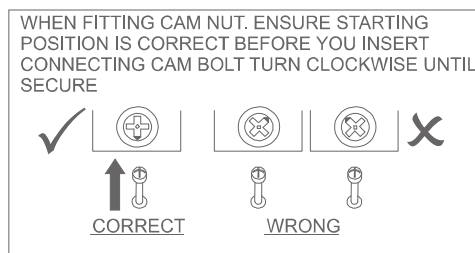
Please Note:
The below parts have all been stamped with the part number to help identify them during assembly.

Part Number	Part Description	Quantity	Carton
01	Base-Top Panel	2	1/2
02	Mirrored Door	1	2/2
03	Door	1	2/2
04	Left Side Panel	1	1/2
06	Right Side Panel	1	1/2
07	Front Baseboard	1	2/2
08	Back Baseboard	1	2/2
09	Back Panel	2	1/2
10	Frame	1	2/2
15	Drawer Side	2	1/2
16	Drawer Back Panel	1	2/2
17	Drawer Front	1	2/2
18	Drawer Bottom	1	1/2
19	Drawer Bottom Support Bar	1	2/2

FITTINGS LIST

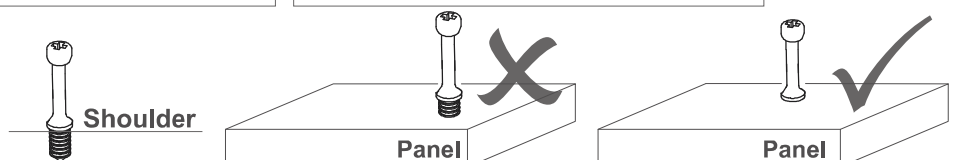
<p>A</p>  <p>Flat Head Screw Ø6,0 x 10mm (4x)</p> <p>1/+</p>	<p>B</p>  <p>Flan Head Screw Ø4,0 x 14mm (6x)</p> <p>1/+</p>	<p>C</p>  <p>Flat Head Screw Ø4,0 x 14mm (34x)</p> <p>2/+</p>	<p>D</p>  <p>Flan Head Screw Ø4,0 x 20mm (6x)</p> <p>1/+</p>
<p>E</p>  <p>Flat Head Screw Ø3,5 x 40mm (2x)</p> <p>1/+</p>	<p>F</p>  <p>Flat Head Screw Ø4,0 x 50mm (14x)</p> <p>2/+</p>	<p>G</p>  <p>2/+ Dowel Ø6,0 x 30mm (26x)</p>	
<p>H</p>  <p>2/+ Nail 10x10 Ringed-1,5x23mm (58x)</p>	<p>I</p>  <p>Flan Head Screw Ø3,5 x 30mm (2x)</p> <p>1/+</p>	<p>J</p>  <p>1/+ 'L' Metallic Support 18x18MM (4x)</p>	<p>K</p>  <p>1/+ Washer Ø16x7(4x)</p>
<p>L</p>  <p>1/+ Plastic Foot L 19x17x8mm Ø2 (6x)</p>	<p>M</p>  <p>Hanging Rail Support Plastic (2x)</p>	<p>N</p>  <p>Hanging Rail 737x30X16X0,60MM (1x)</p>	
<p>O</p>  <p>Hinge 26MM High Lap (6x)</p>	<p>P</p>  <p>Hinge Plate 26MM D5 (6x)</p>	<p>Q</p>  <p>Drawer Runners 400MM (1x)</p>	
<p>R</p>  <p>Back Panel Strip H 1633x19x3,8MM (1x)</p>	<p>S</p>  <p>Strap 200x20x1MM (2x)</p>	<p>T</p>  <p>Handle (3x)</p>	
<p>U</p>  <p>2/+ Hole Plugs 19MM (12x)</p>	<p>V</p>  <p>Glue 10Gr (1x)</p>	<p>W</p>  <p>1/+ Cam Nut Ø12x8,8MM (2x)</p>	<p>X</p>  <p>1/+ Cam Bolt (2x)</p>
<p>Y</p>  <p>Flat Head Screw Ø4,0 x 12mm (12x)</p> <p>2/+</p>	<p>Z</p>  <p>Door Support L42xP27xA28MM (2x)</p>	<p>A1</p>  <p>+12 Hole PlugsLineo 19mm(2x)</p>	

TIPS FOR FITTINGS CAM-LOCKS



CAMBOLT

Tighten until shoulder in flush with panel. Do not overtighten or undertighten (see example beside)



STEP 1

PARTS REQUIRED

4 - LEFT SIDE PANEL x1

HARDWARE REQUIRED

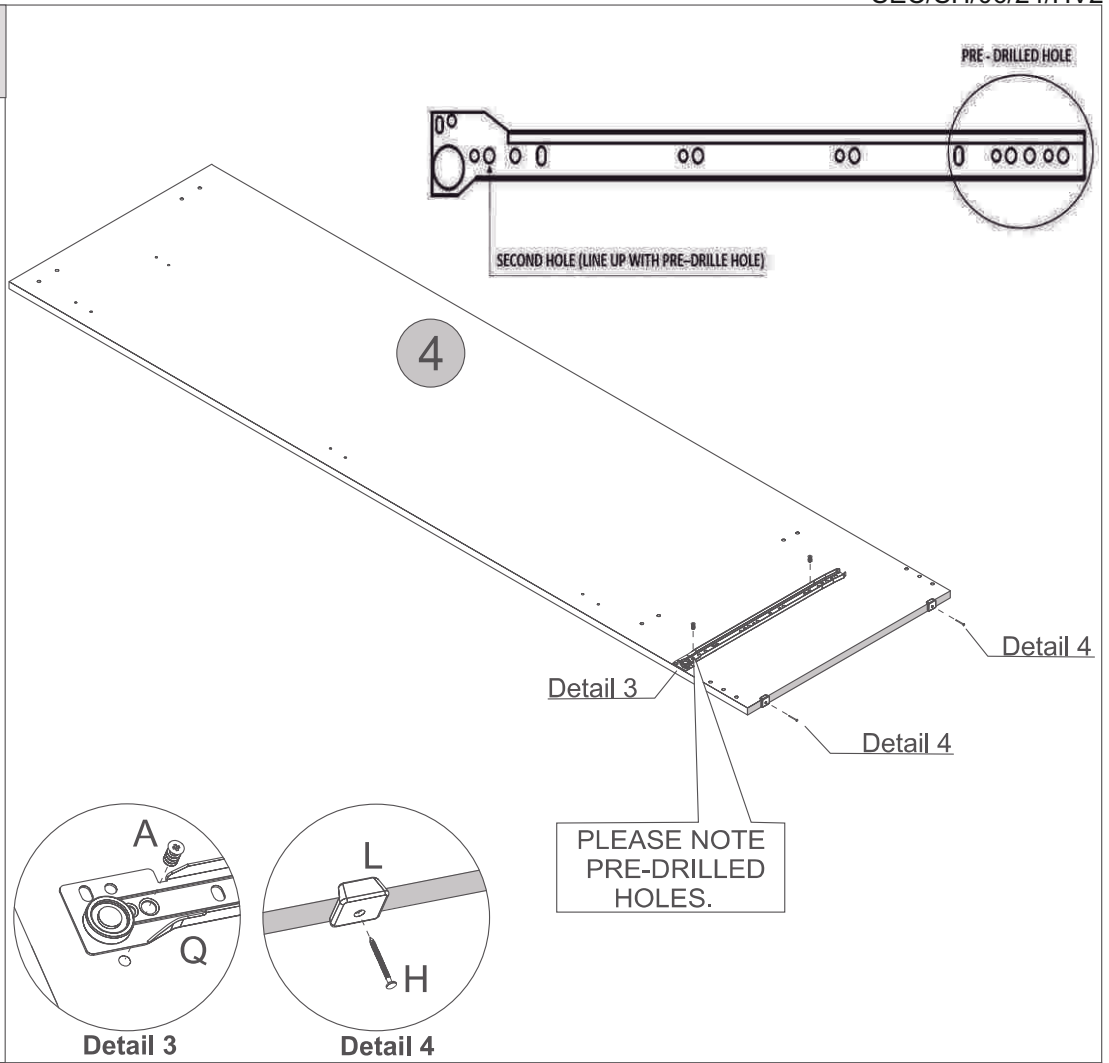
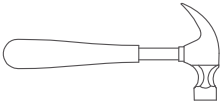
A  02
Ø6,0 x 10mm

H  02
10 x 10

L  02

Q  LEFT 01

TOOLS REQUIRED



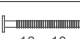
STEP 2

PARTS REQUIRED

6 - RIGHT SIDE PANEL x1

HARDWARE REQUIRED

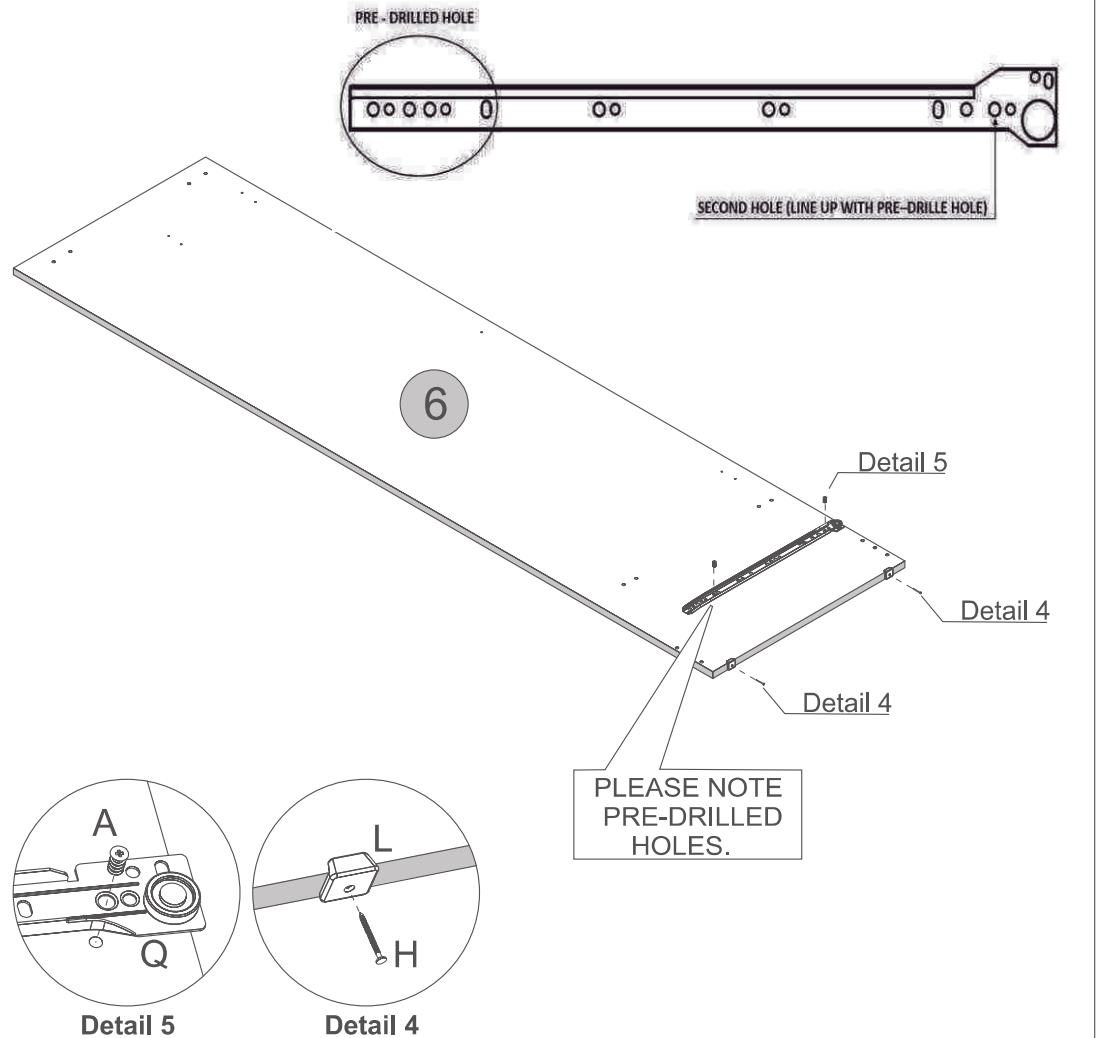
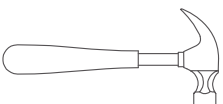
A  02
Ø6,0 x 10mm

H  02
10 x 10

L  02

Q  RIGHT 01

TOOLS REQUIRED





STEP 3

PARTS REQUIRED

4 - LEFT SIDE PANEL x1

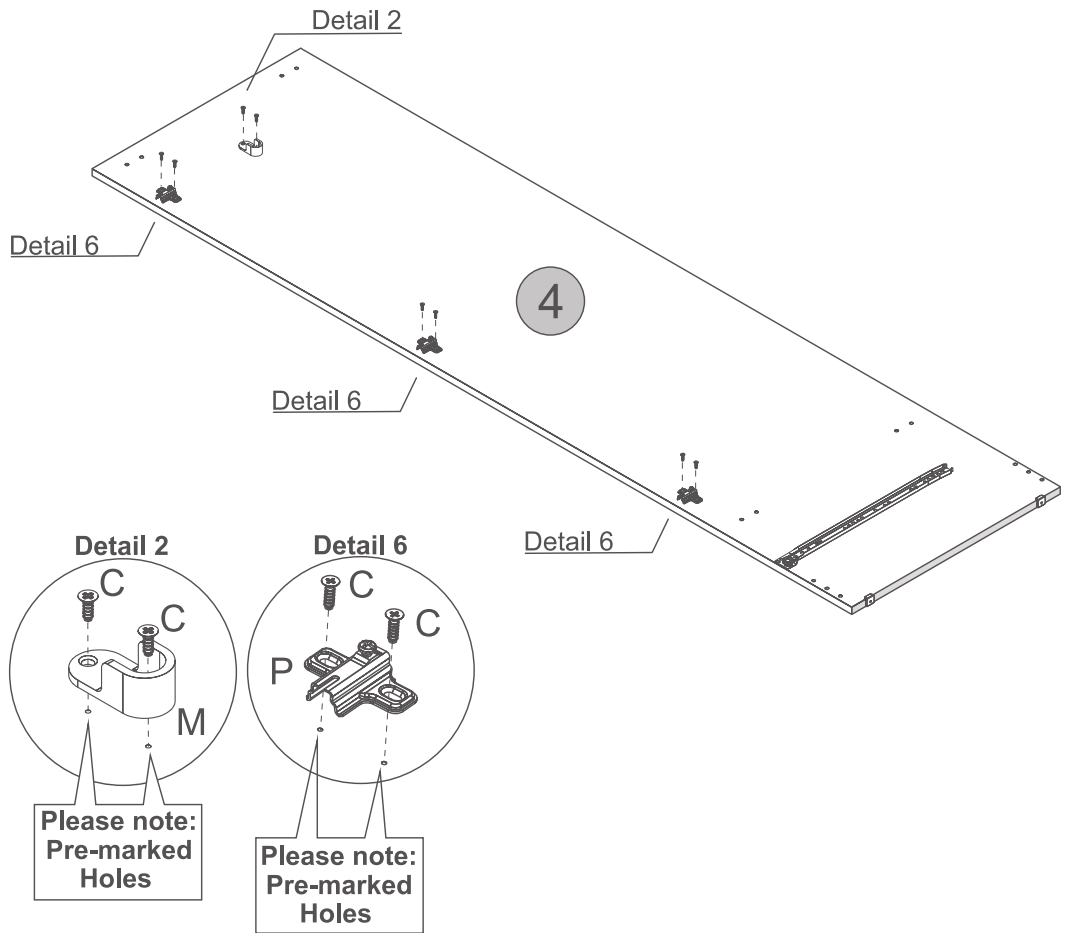
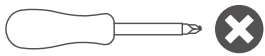
HARDWARE REQUIRED

C  08
Ø4.0 x 14mm

M  01

P  03

TOOLS REQUIRED

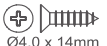



STEP 4

PARTS REQUIRED

6 - RIGHT SIDE PANEL x1

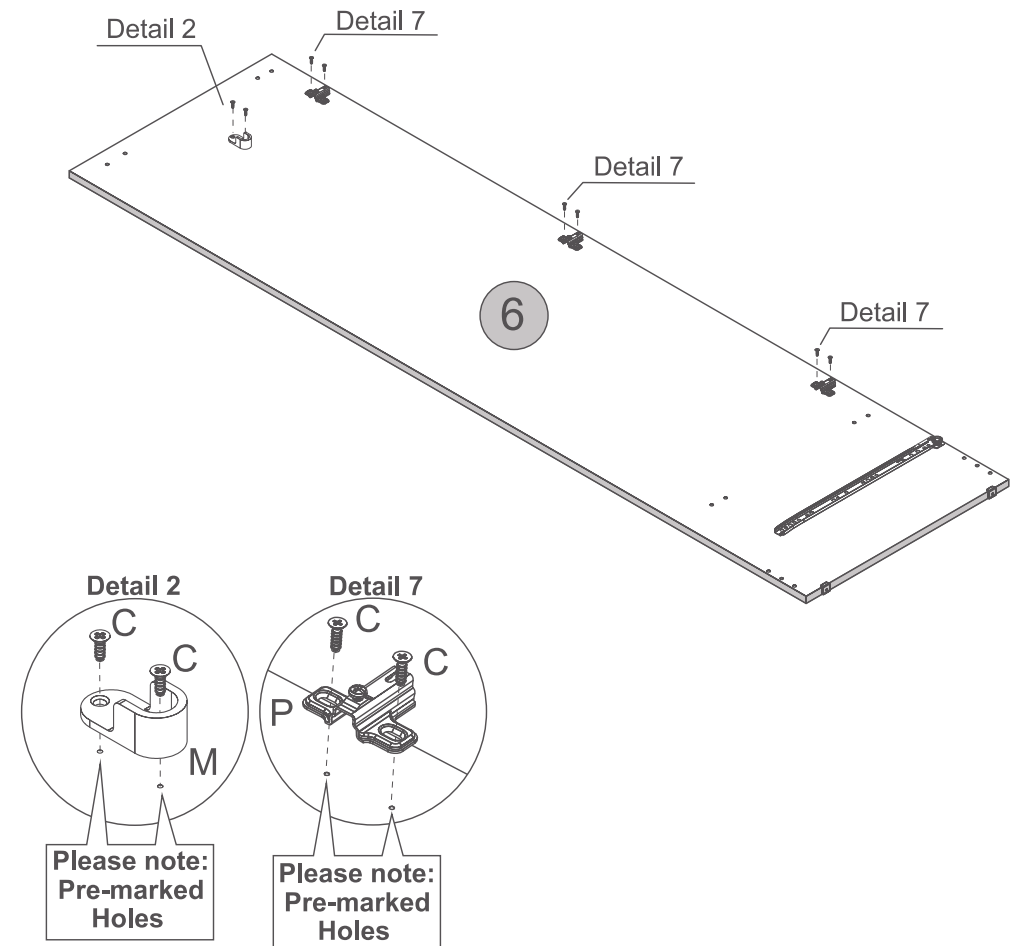
HARDWARE REQUIRED

C  08
Ø4.0 x 14mm

M  01

P  03

TOOLS REQUIRED




STEP 5

PARTS REQUIRED

1A - BASE PANEL x1

1B - TOP PANEL x1

HARDWARE REQUIRED

G  08
Ø6,0 x 30mm

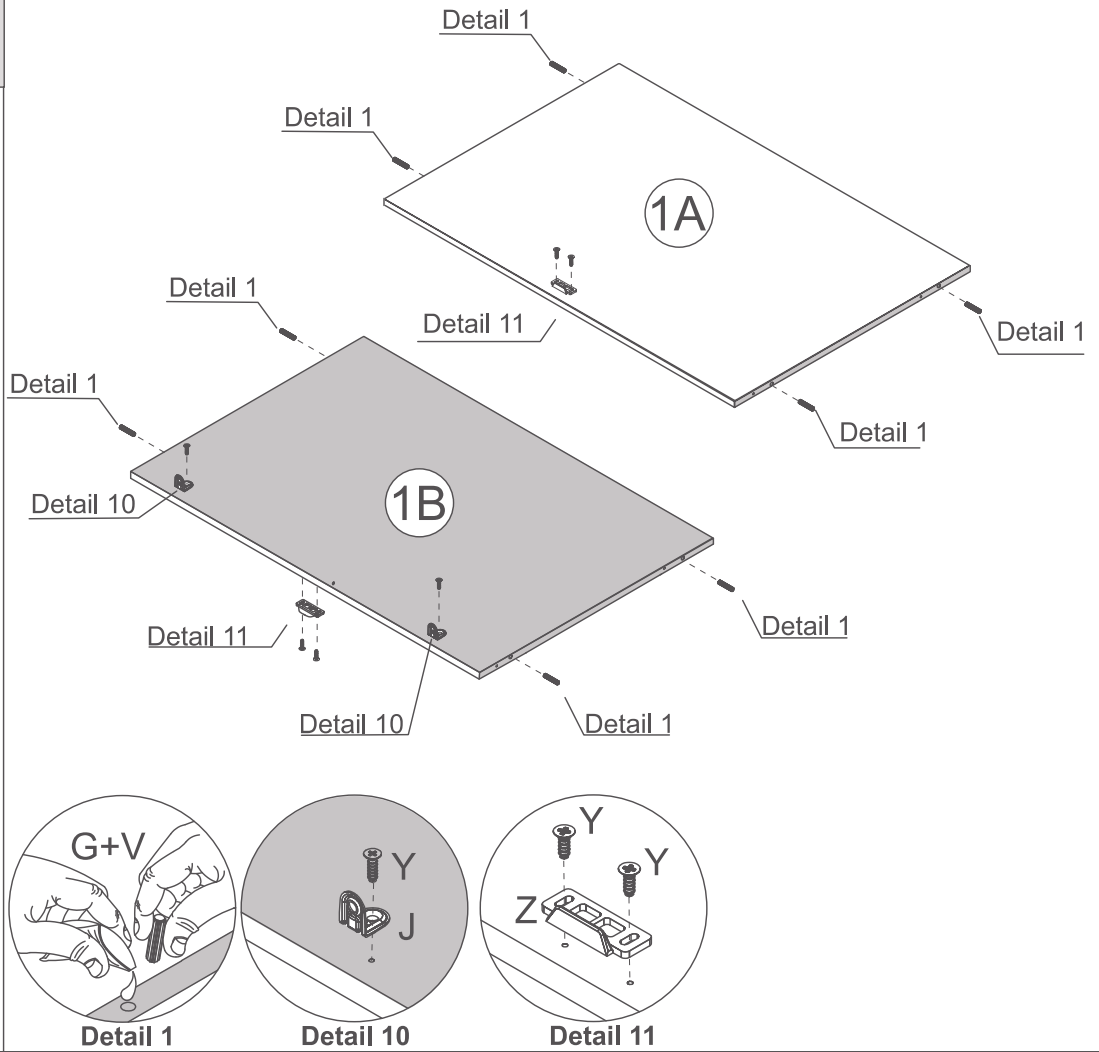
J  02

V  01

Y  06
Ø4,0 x 12mm

Z  02

TOOLS REQUIRED



STEP 6

PARTS REQUIRED

7 - FRONT BASEBOARD x1

8 - BACK BASEBOARD x1

HARDWARE REQUIRED

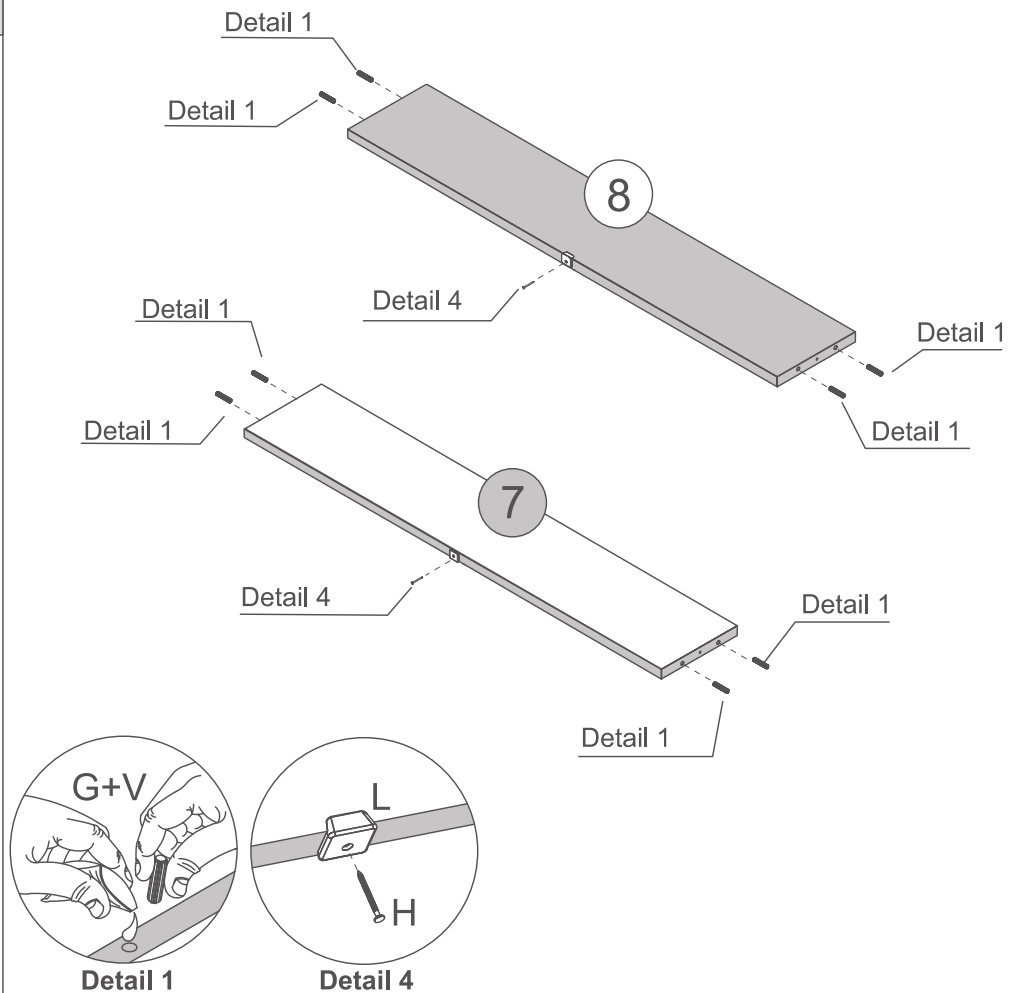
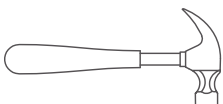
G  08
Ø6,0 x 30mm

H  02
10 x 10

L  02

V  01

TOOLS REQUIRED

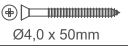



STEP 7

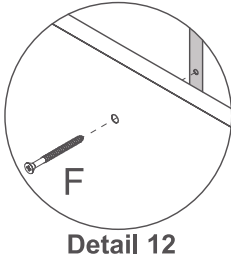
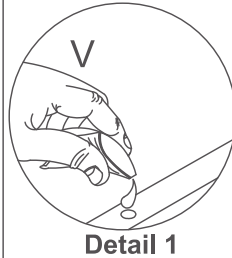
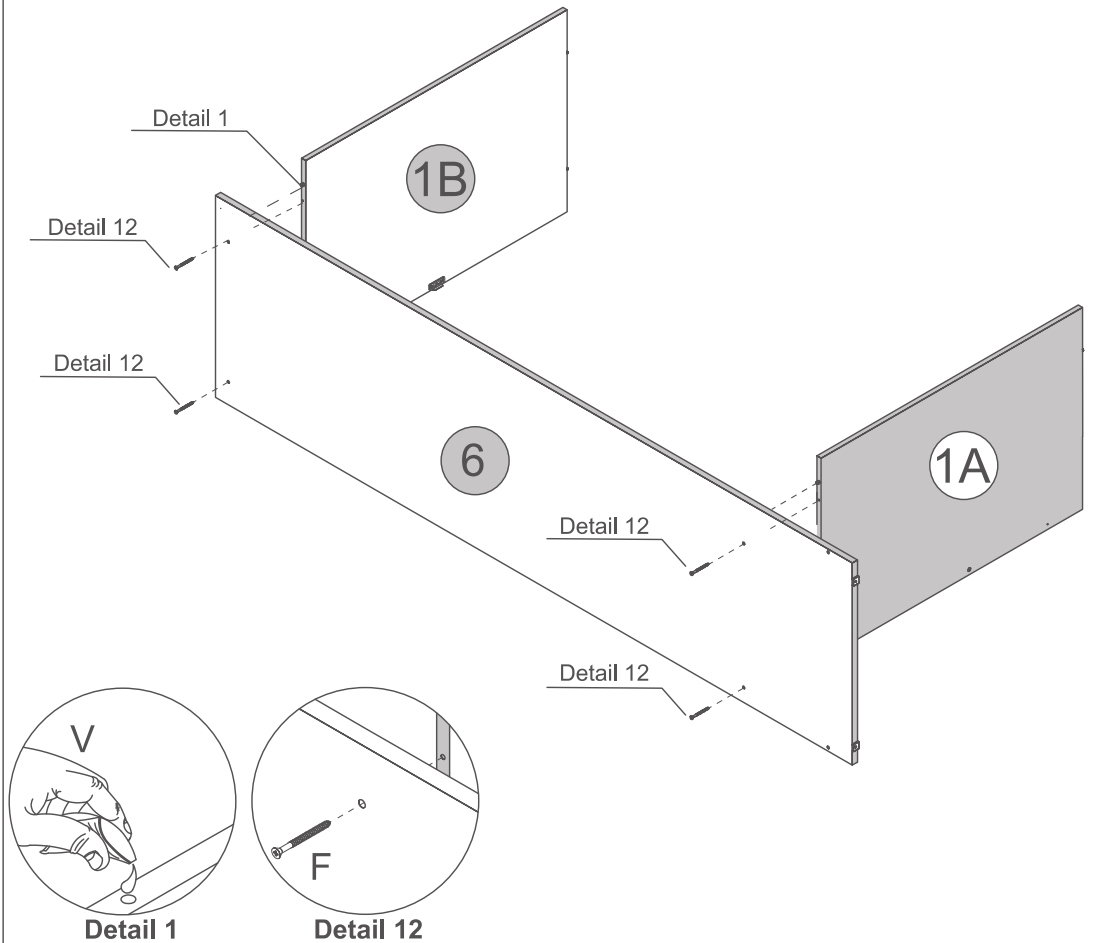
PARTS REQUIRED

- 1A - BASE PANEL x1
- 1B - TOP PANEL x1
- 6 - RIGHT SIDE PANEL x1

HARDWARE REQUIRED

- F  04
Ø4.0 x 50mm
- V  01

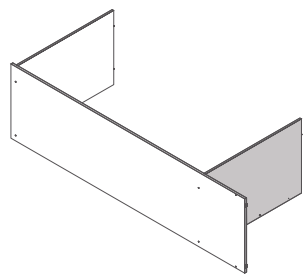
TOOLS REQUIRED





STEP 8

PARTS REQUIRED

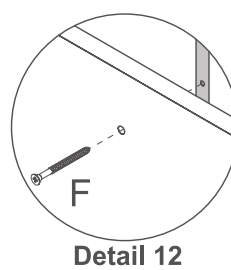
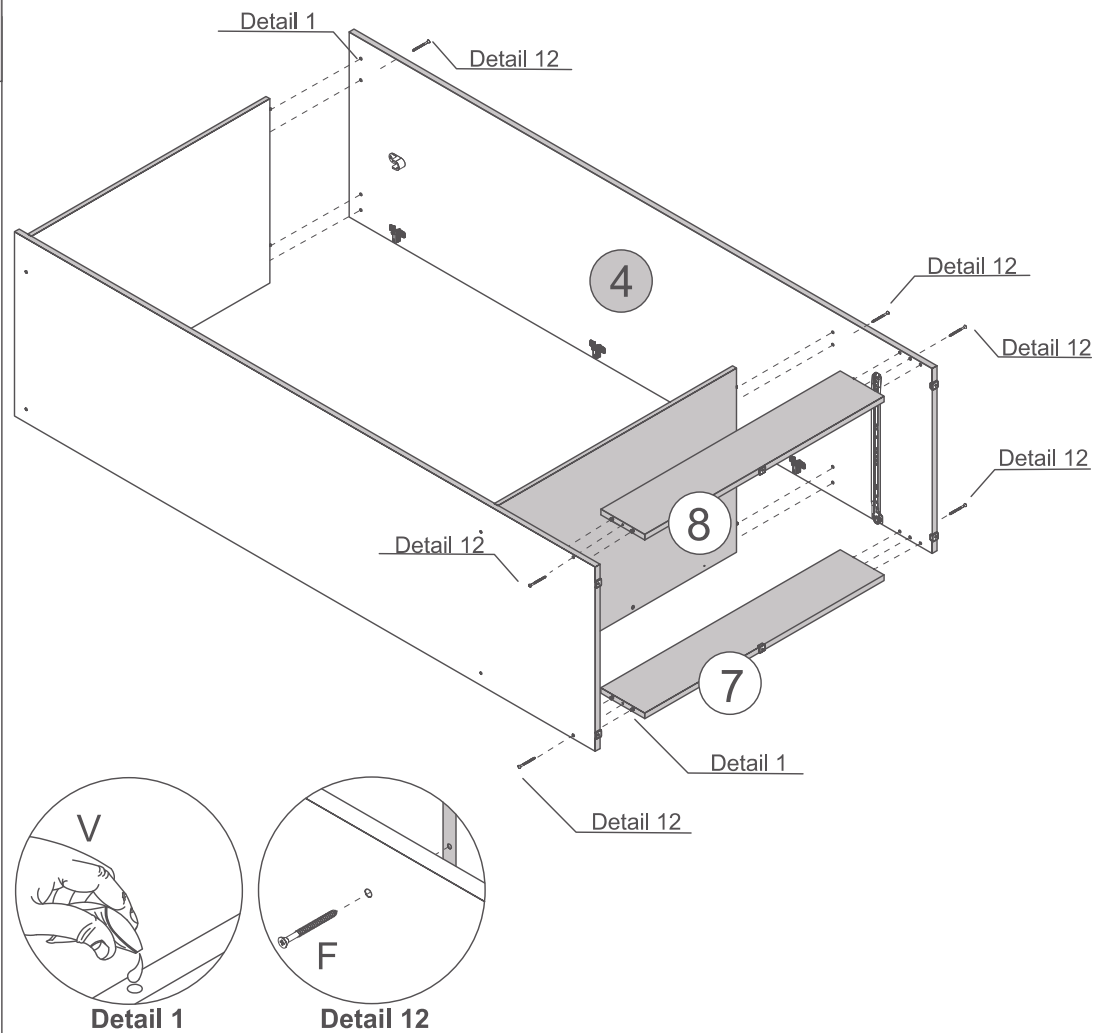
- 4 - LEFT SIDE PANEL x1
- 7 - FRONT BASEBOARD x1
- 8 - BACK BASEBOARD x1



HARDWARE REQUIRED

- F  08
Ø4.0 x 50mm
- V  01

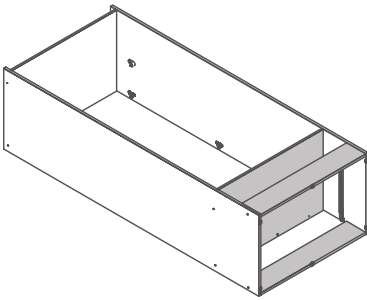
TOOLS REQUIRED



STEP 9

PARTS REQUIRED

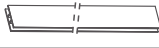
9 - BACK PANEL x2



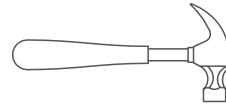
HARDWARE REQUIRED

B  06
4,0 x 14mm

H  06
10 x 10

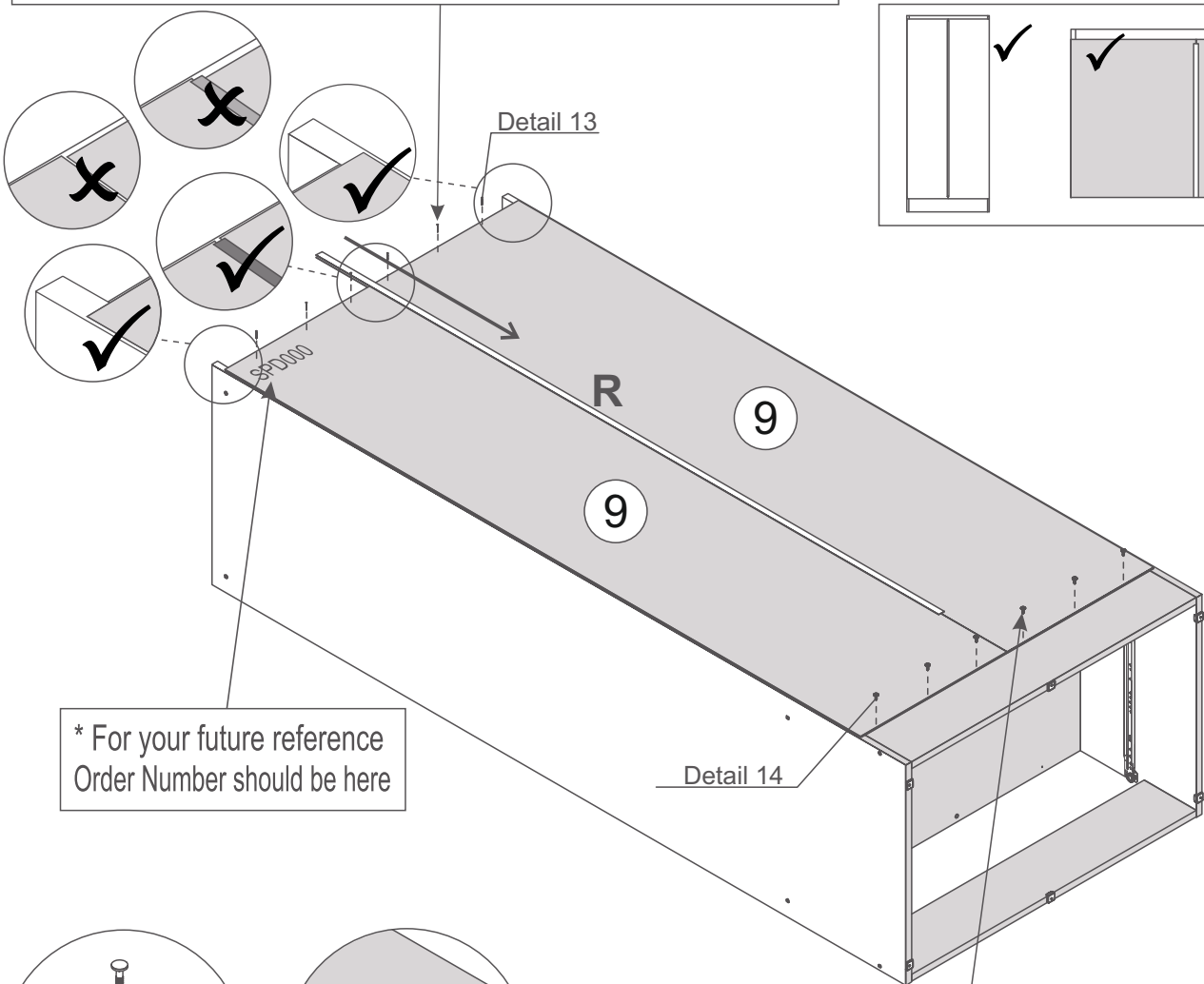
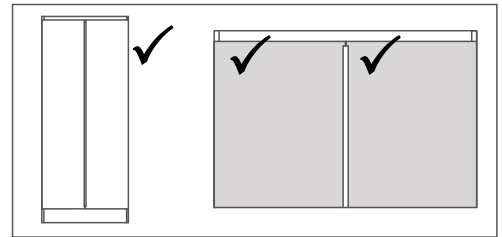
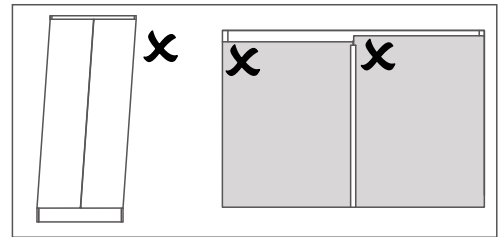
R  01

TOOLS REQUIRED



IMPORTANT PLEASE FOLLOW !

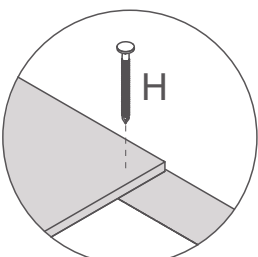
Please make sure Part 9 is lined up correctly at the top before placing fitting H into the panel as this can affect the alignment of the doors once assembled.



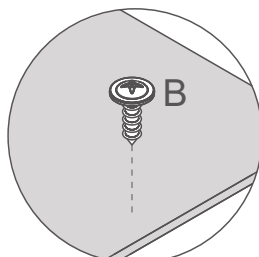
* For your future reference Order Number should be here

IMPORTANT PLEASE FOLLOW !

Please make sure Part 9 isn't overhanging at the side before you screw fitting B into the plinth.



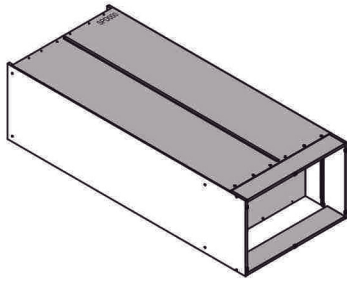
Detail 13



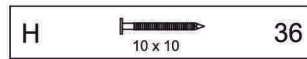
Detail 14

STEP 10

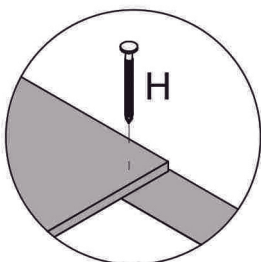
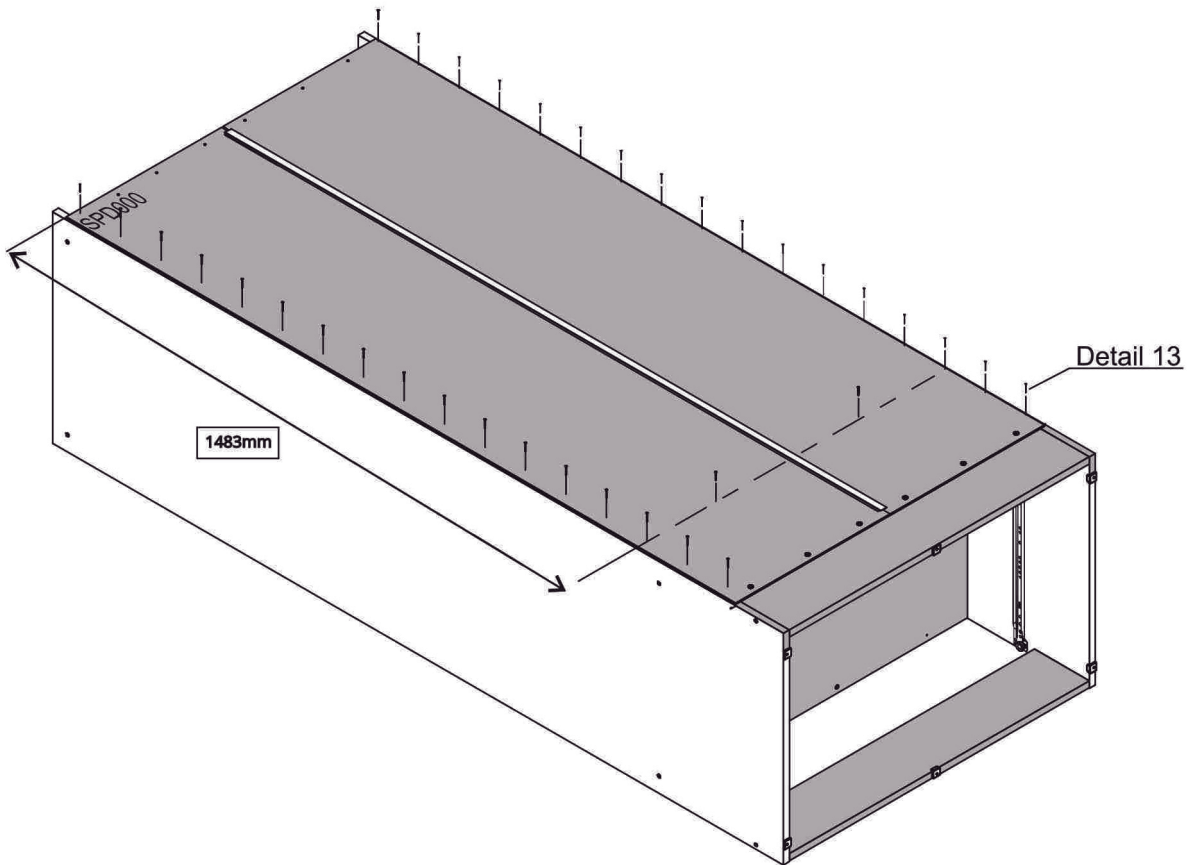
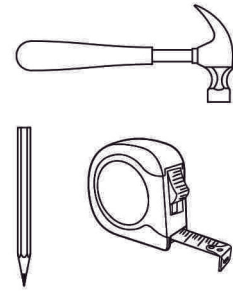
PARTS REQUIRED



HARDWARE REQUIRED



TOOLS REQUIRED

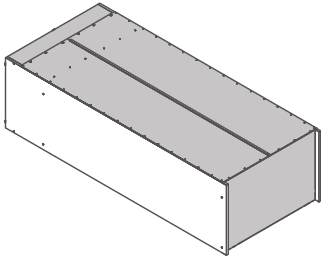


Detail 13

STEP 11

PARTS REQUIRED

10 - FRAME x1

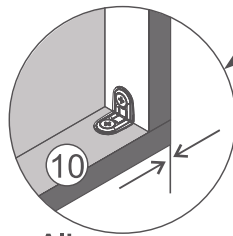
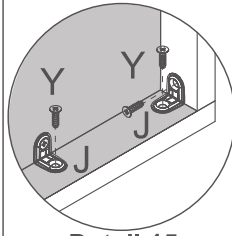
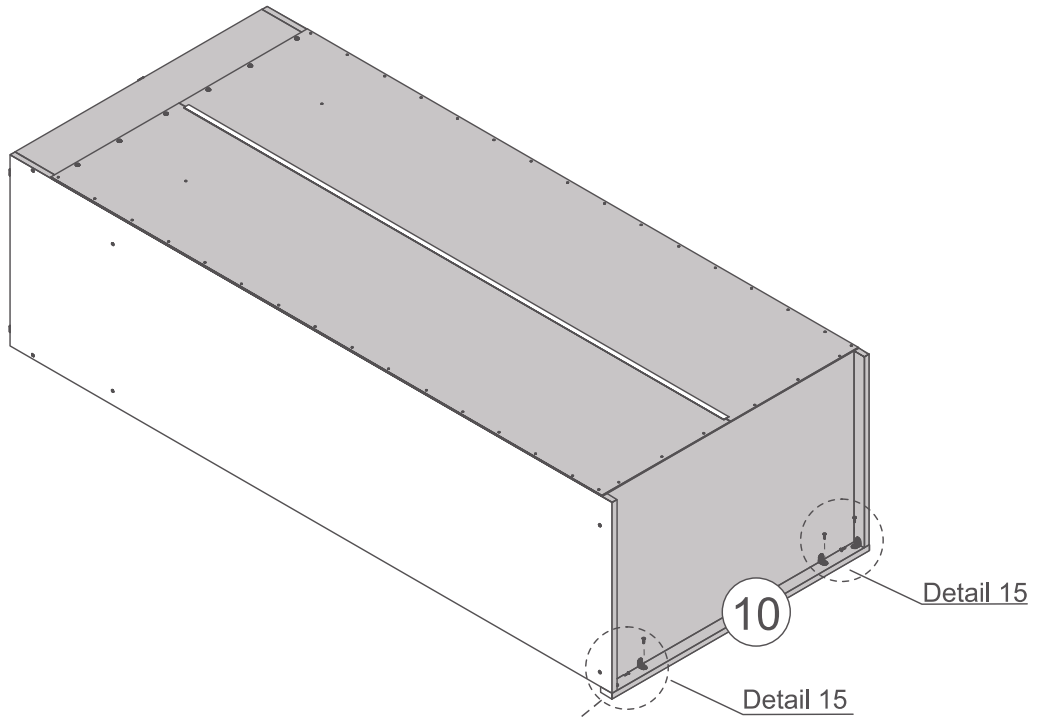


HARDWARE REQUIRED

J  02

Y  06
Ø4.0 x 12mm

TOOLS REQUIRED

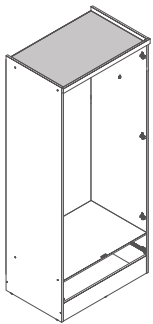


Detail 15

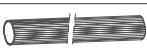
Align corners

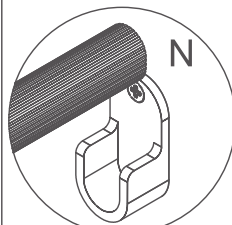
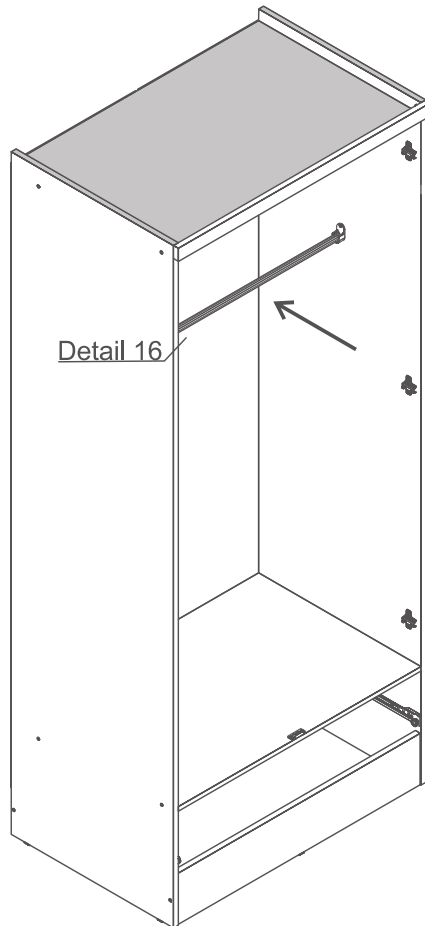
STEP 12

PARTS REQUIRED



HARDWARE REQUIRED

N  01



Detail 16

STEP 13


PARTS REQUIRED

15 - DRAWER SIDE x2

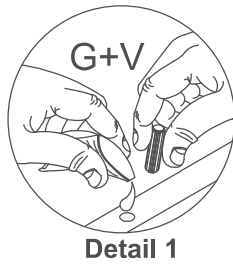
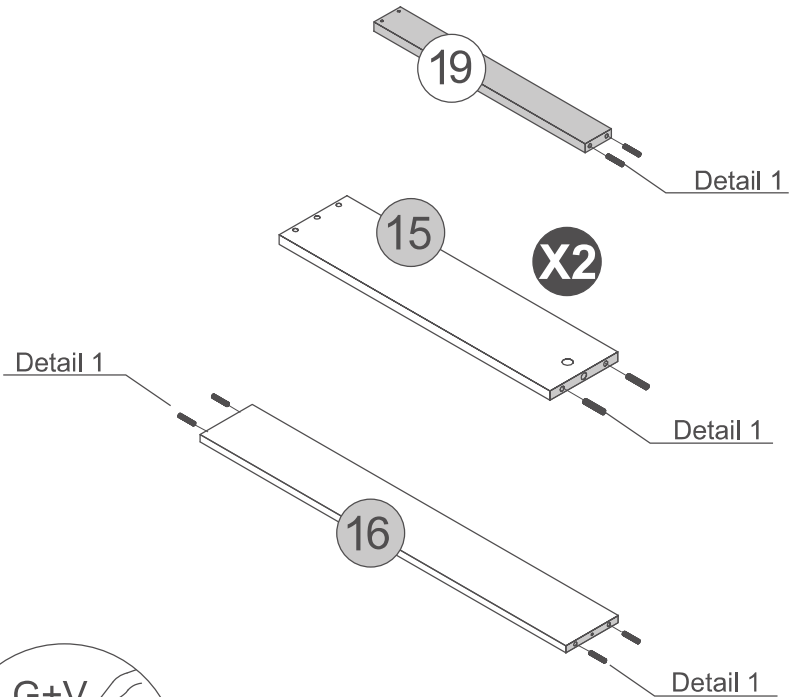
16 - DRAWER BACK PANEL x1

19 - DRAWER BOTTOM SUPPORT BAR x1

HARDWARE REQUIRED

G  10
Ø6,0 x 30mm

V  01
Glue



STEP 14

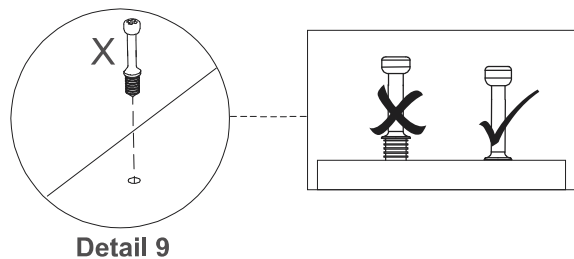
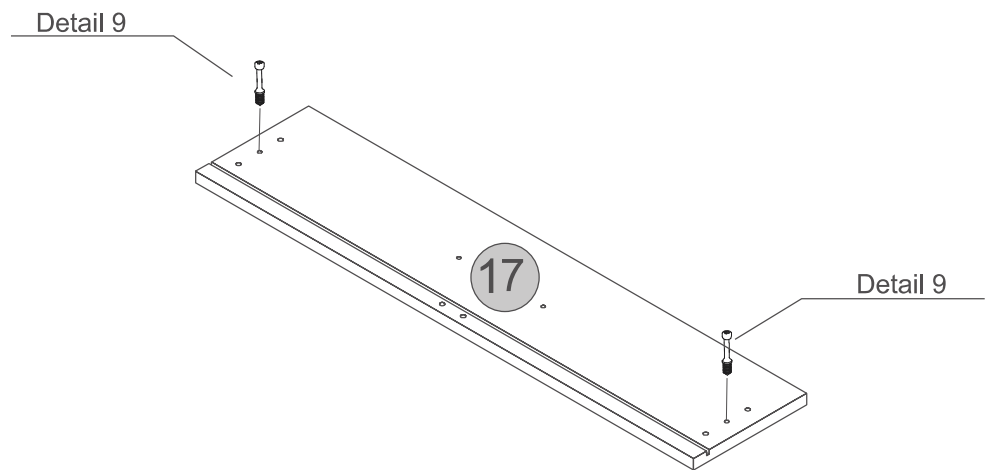
PARTS REQUIRED

17 - DRAWER FRONT x1

HARDWARE REQUIRED

X  02

TOOLS REQUIRED




STEP 15

PARTS REQUIRED

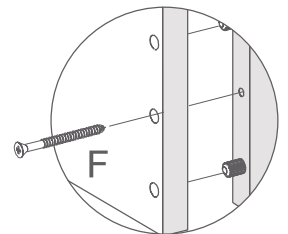
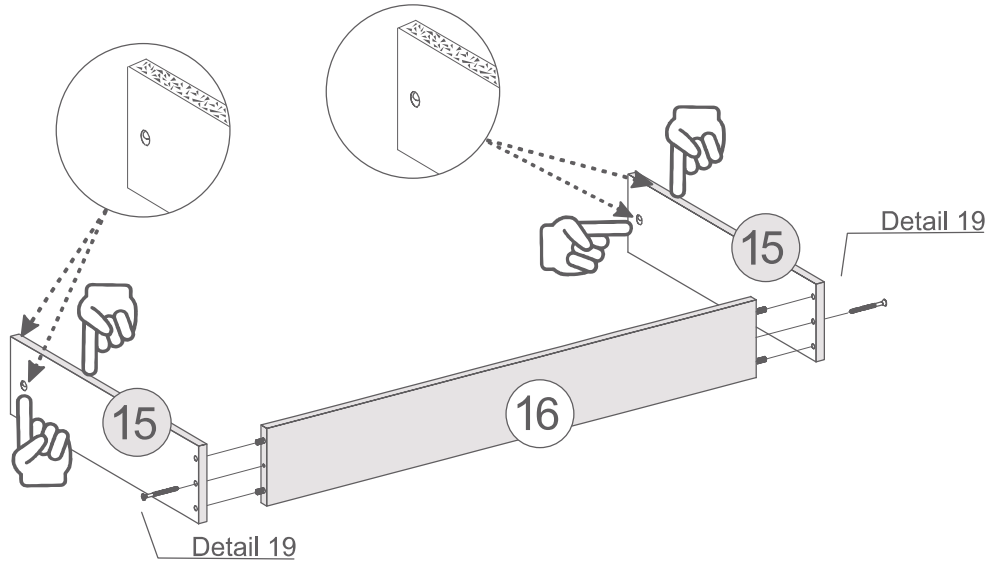
15 - DRAWER SIDE x2

16 - DRAWER BACK PANEL x1

HARDWARE REQUIRED

F  02
Ø4,0 x 50mm

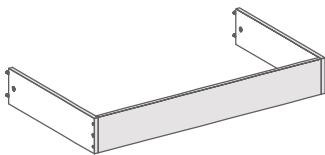
TOOLS REQUIRED



STEP 16

PARTS REQUIRED


17 - DRAWER FRONT x1



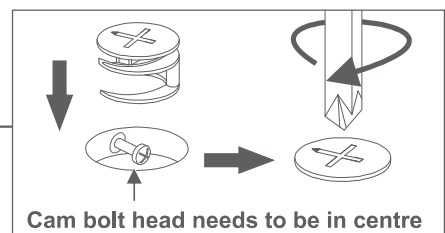
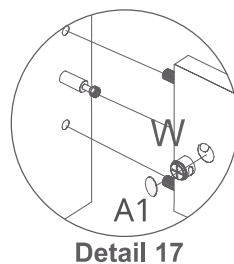
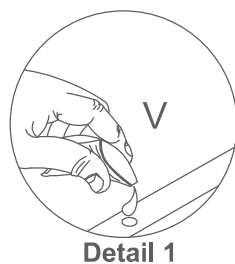
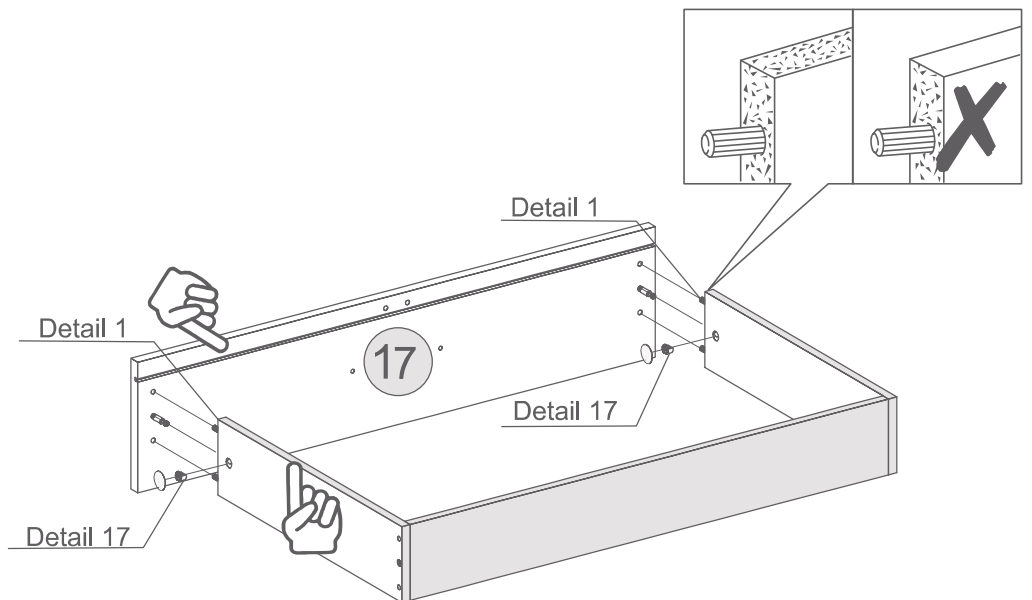
HARDWARE REQUIRED

A1  02

V  01

W  02

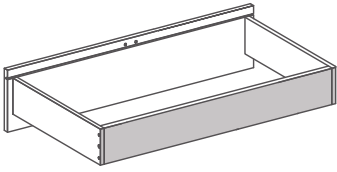
TOOLS REQUIRED




STEP 17

PARTS REQUIRED

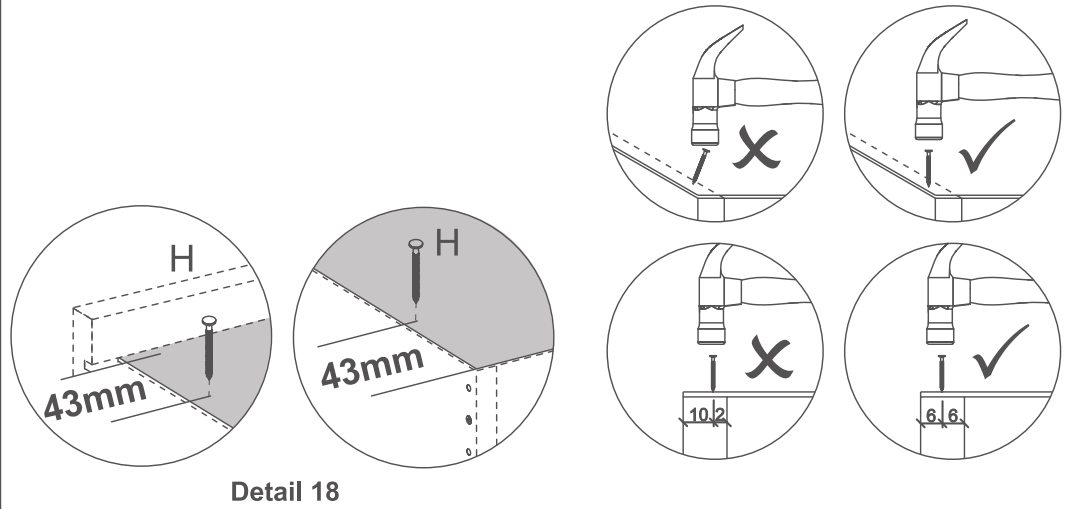
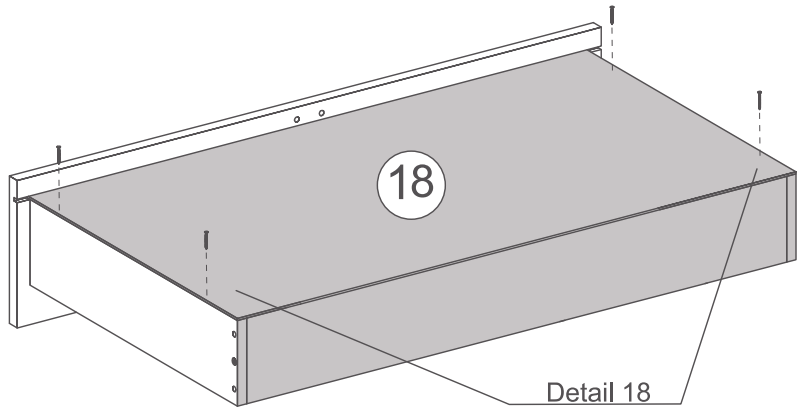
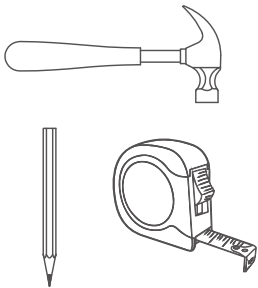
18 - DRAWER BOTTOM x1



HARDWARE REQUIRED

H  04
10 x 10

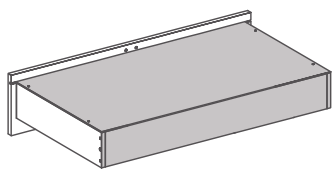
TOOLS REQUIRED




STEP 18

PARTS REQUIRED

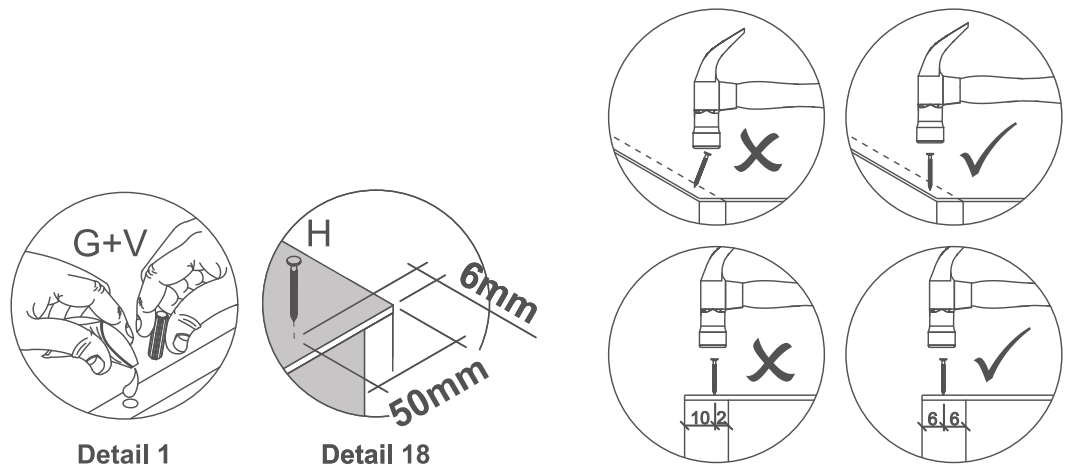
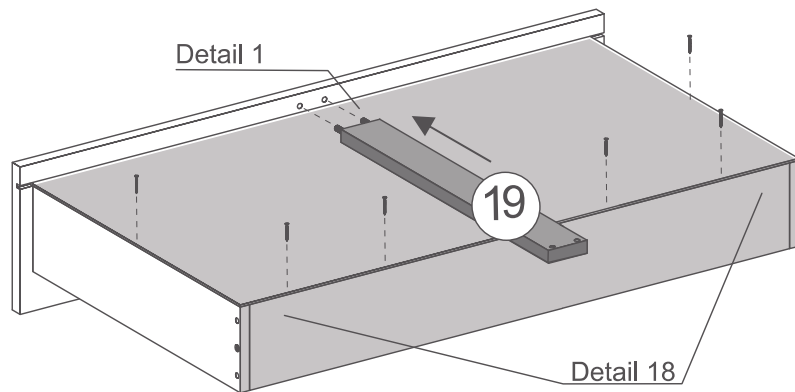
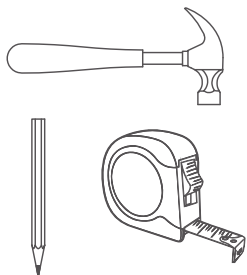
19 - DRAWER BOTTOM SUPPORT BAR x1



HARDWARE REQUIRED

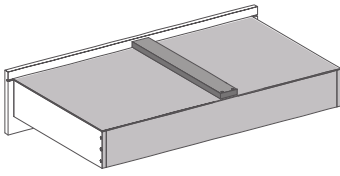
H  06
10 x 10

TOOLS REQUIRED

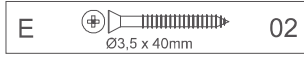


STEP 19

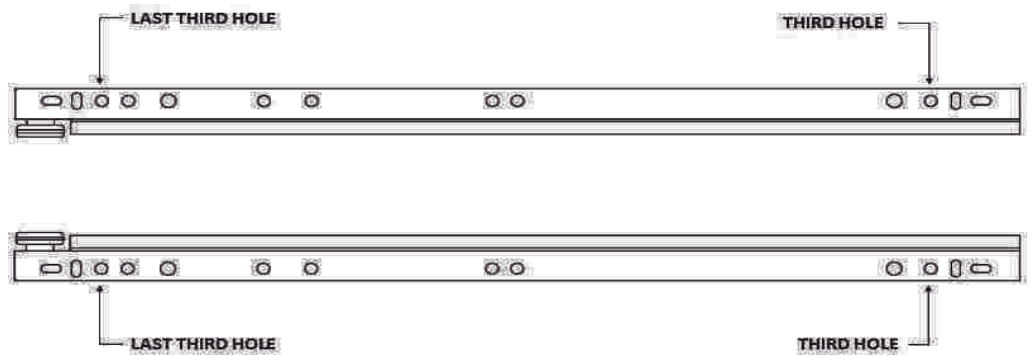
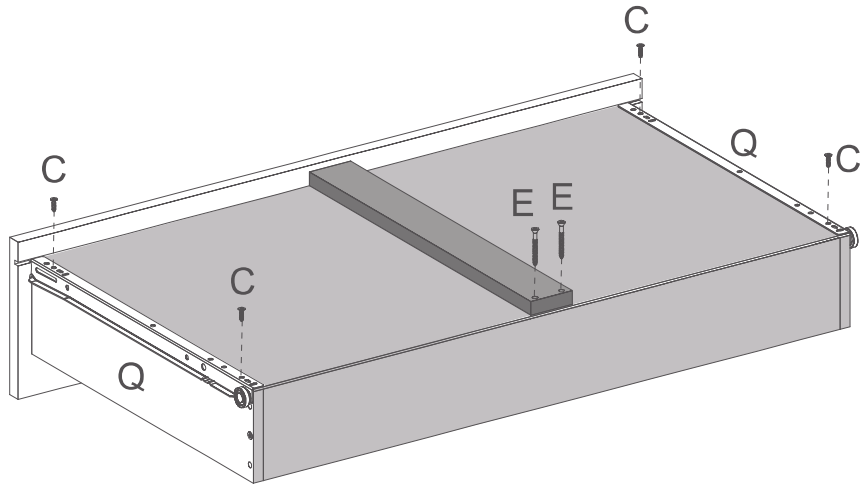
PARTS REQUIRED



HARDWARE REQUIRED



TOOLS REQUIRED

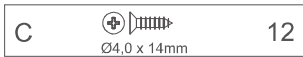


STEP 20

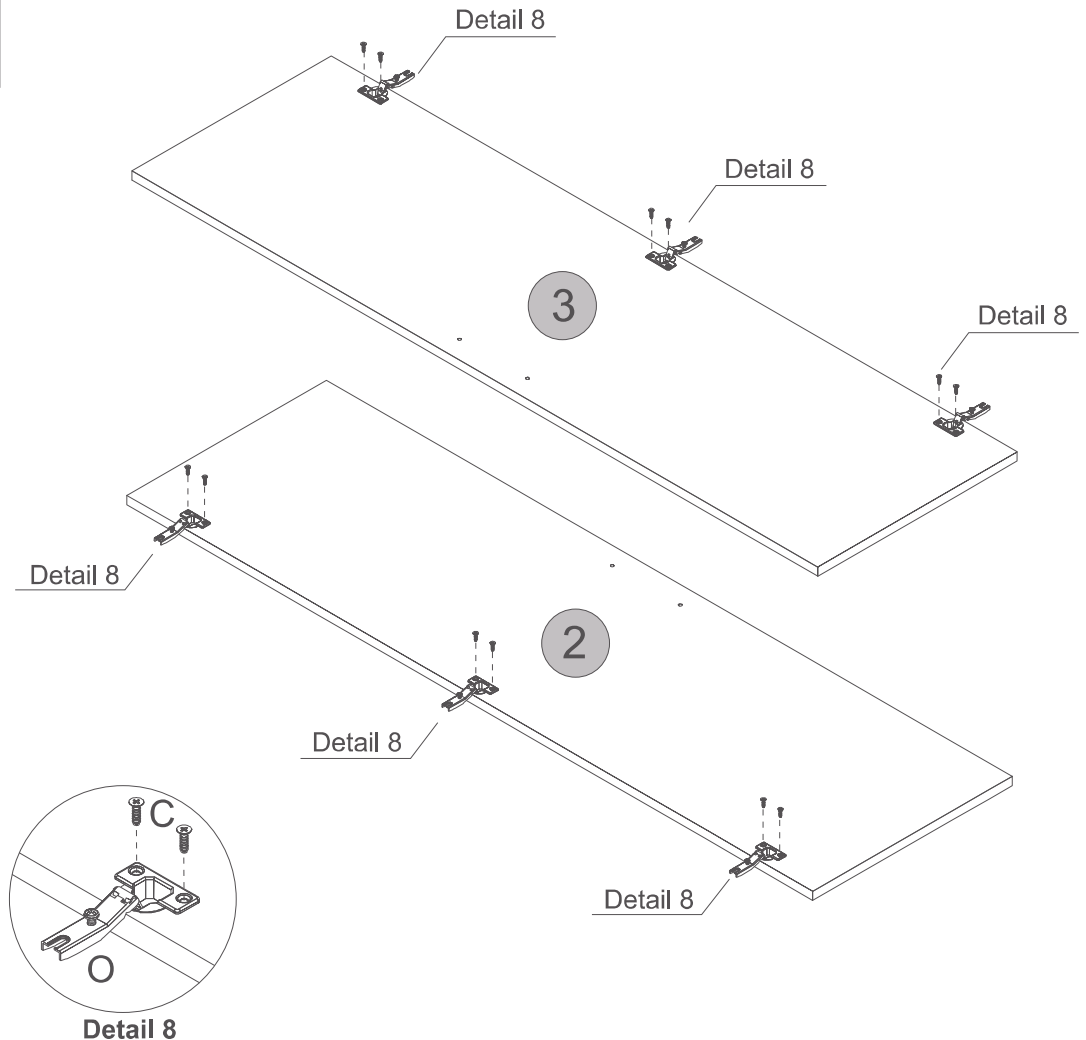
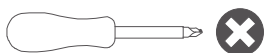
PARTS REQUIRED



HARDWARE REQUIRED



TOOLS REQUIRED

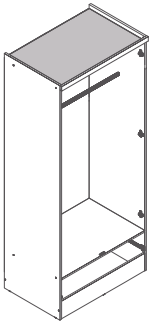


STEP 21

PARTS REQUIRED

3 - DOOR x1

2 - MIRRORED DOOR x1



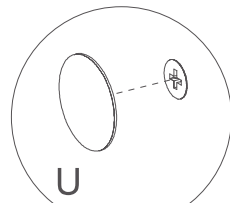
HARDWARE REQUIRED

U  12

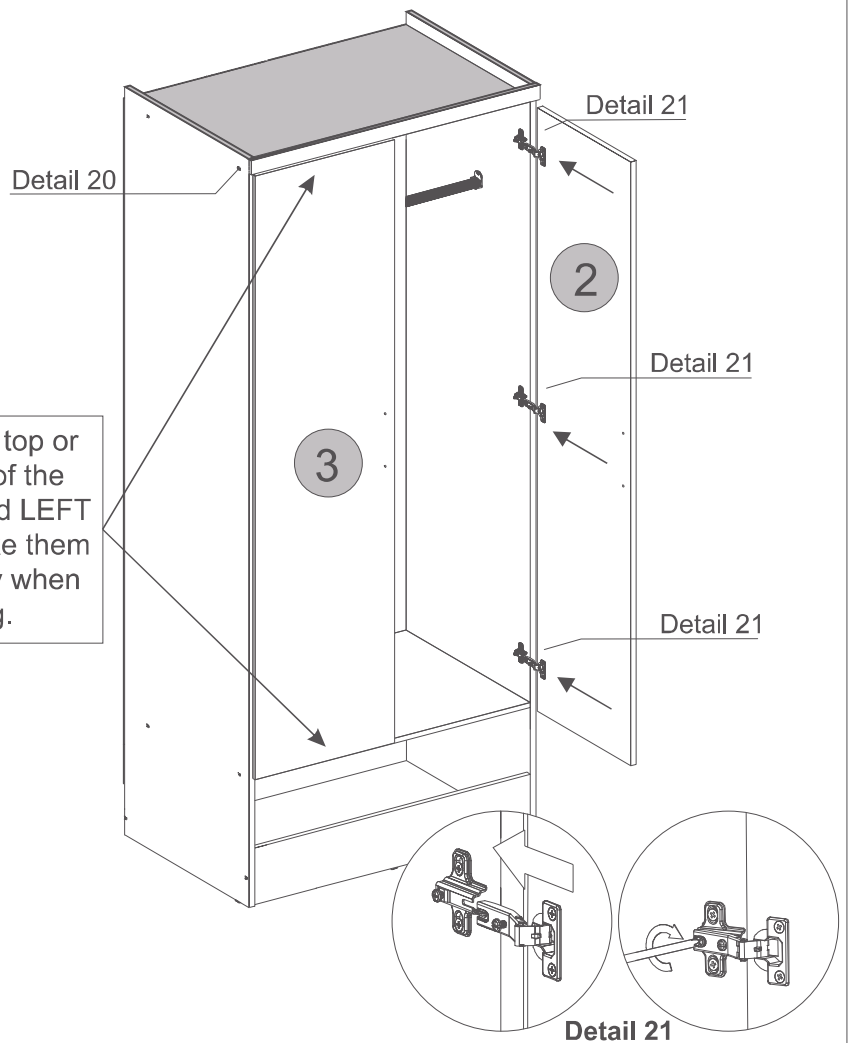
TOOLS REQUIRED



!
Please note the top or bottom edges of the doors are labelled LEFT or RIGHT to make them easier to identify when assembling.

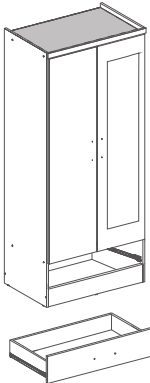


Detail 20




STEP 22

PARTS REQUIRED

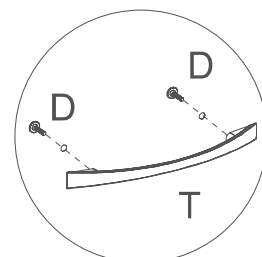
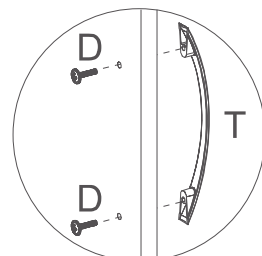
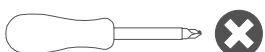


HARDWARE REQUIRED

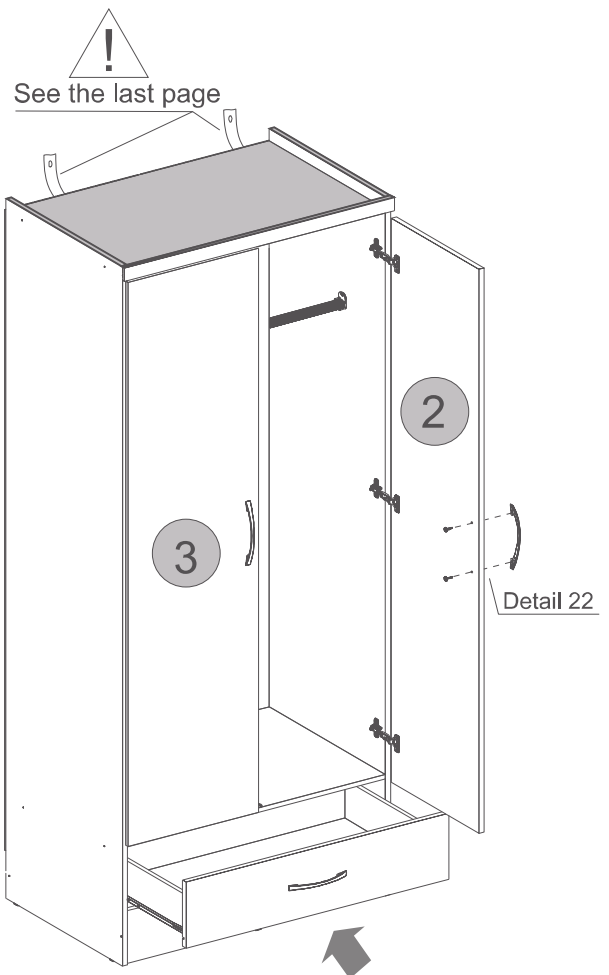
D  Ø4,0 x 22mm 06

T  03

TOOLS REQUIRED

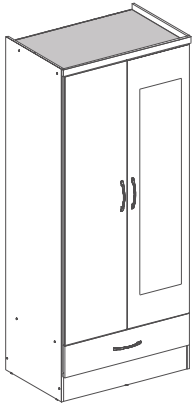


Detail 22

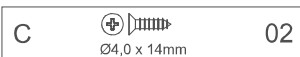


STEP 23

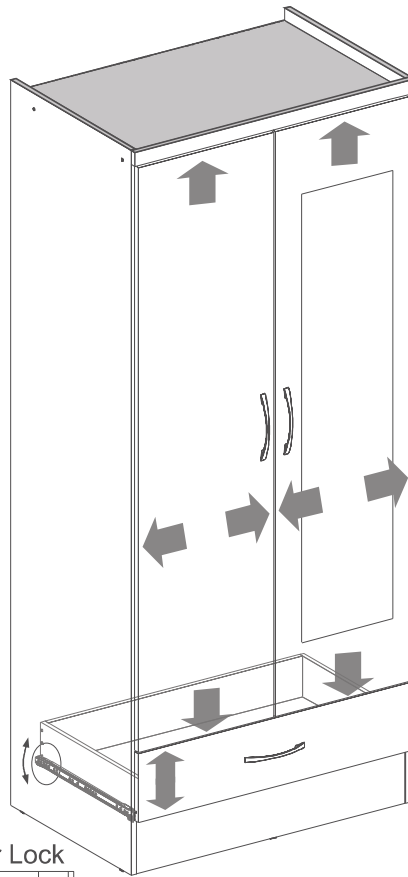
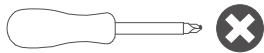
PARTS REQUIRED



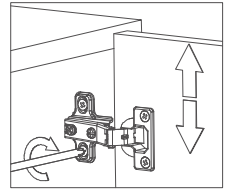
HARDWARE REQUIRED



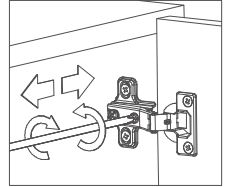
TOOLS REQUIRED



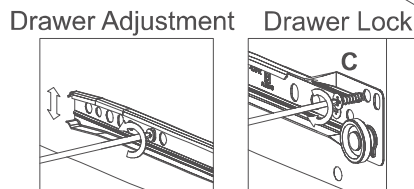
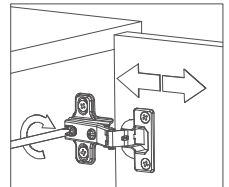
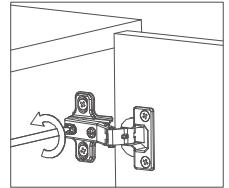
Height Adjustment



Internal Adjustment



Depth Adjustment



Detail 23

WARNING

Serious or fatal injuries can occur from furniture tipping over. To prevent the furniture from tipping over we recommend that it is permanently fixed to the wall.

Wall fixings are not supplied with this product as different wall materials require different types of fixing devices.

Please make sure you use fixings suitable for the walls in your home.

