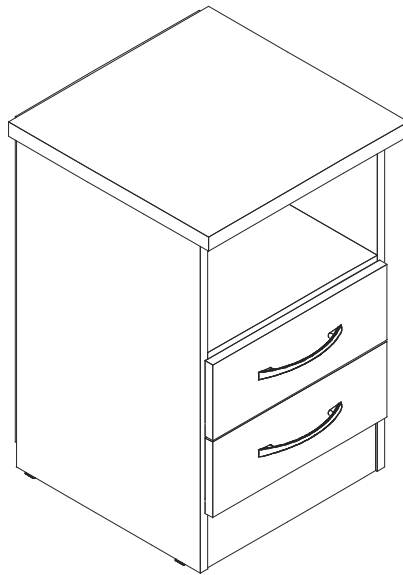


NEVADA 2 DRAWER BEDSIDE ASSEMBLY INSTRUCTIONS



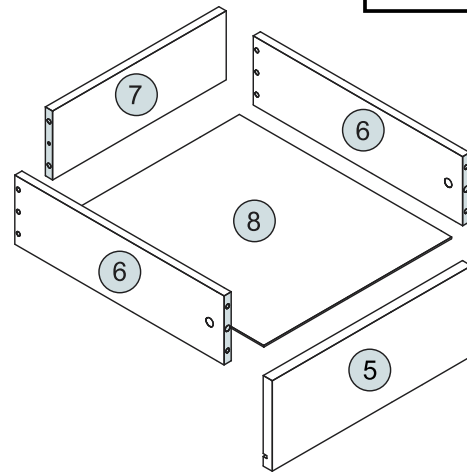
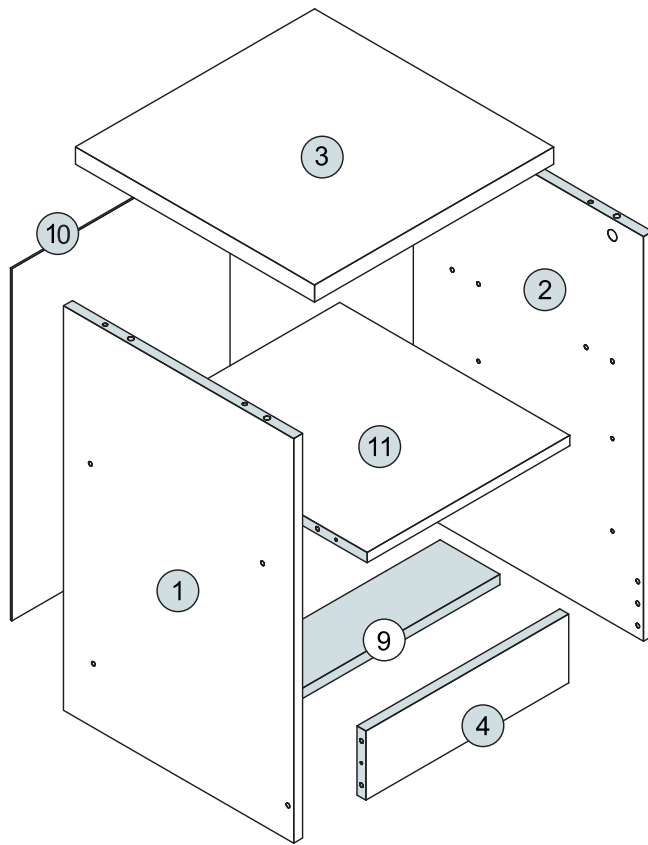
IMPORTANT FOR DOMESTIC USE ONLY

PLEASE READ BEFORE YOU CONTINUE FURTHER

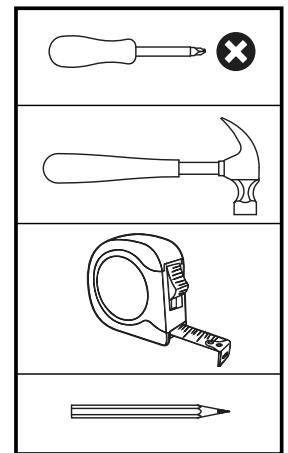
CARE AND MAINTENANCE

After unpacking this product please keep the original packaging in case it needs to be returned for any reason.

- Please ensure all fittings and parts are present before commencing with assembly.
- Never drag or push products as this could cause damage to the joints making it inferior.
- We strongly recommend that you keep children away from your work area.
- We recommend that you lay a blanket or sheet on the floor to avoid damage to both your floor and the product.
- Assemble this product as close to its final position as possible.
- Do not place this product next to a radiator or in direct sunlight.
- Do not drag or push items across your high gloss furniture as this may cause the surface to scratch
- Wood is a natural product and may expand if subjected to damp and may shrink or crack if subjected to heat. Therefore it is recommended that room temperature is maintained, with no sudden temperature fluctuations.
- Make sure any spillage is wiped off immediately.
- Do not place hot or chilled items directly on to the surface, use a place mat or marking will occur.
- For general cleaning use a soft cotton or micro fibre cloth, and do not use detergents of any kind.
- From time to time it may be necessary to tighten fittings, regular inspections should be carried out.
- Do not place on a wet or damp floor as staining may occur to your floor.



TOOLS REQUIRED


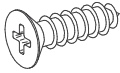
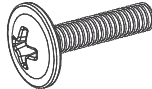

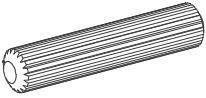

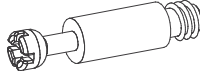
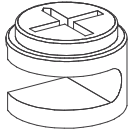




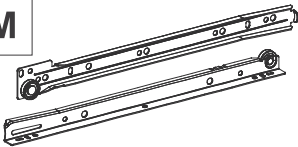
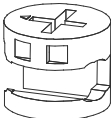
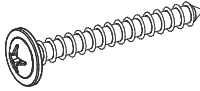





PARTS LIST

Please Note:
The below parts have all been stamped with the part number to help identify them during assembly.

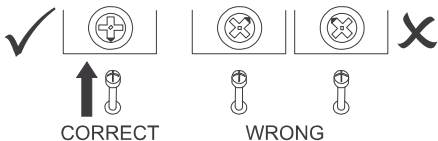
Part Number	Part Description	Quantity	Carton
01	Left Side Panel	1	1/1
02	Right Side Panel	1	1/1
03	Top Panel	1	1/1
04	Front Baseboard	1	1/1
05	Drawer Front	2	1/1
06	Drawer Side	4	1/1
07	Drawer Back Panel	2	1/1
08	Drawer Bottom	2	1/1
09	Back Baseboard	1	1/1
10	Back Panel	1	1/1
11	Shelf	1	1/1

FITTINGS LIST

<p>A</p>  <p>Flat Head Screw Ø6,0 x 10mm (8x)</p> <p>2/+</p>	<p>B</p>  <p>Flat Head Screw Ø4,0 x 14mm (12x)</p> <p>2/+</p>	<p>C</p>  <p>Flan Head Screw Ø4,0 x 20mm (4x)</p> <p>1/+</p>	<p>D</p>  <p>Flat Head Screw Ø4,0 x 50mm (12x)</p> <p>2/+</p>
<p>E</p>  <p>Dowel Ø6,0 x 30mm (32x)</p> <p>2/+</p>	<p>F</p>  <p>Nail 10 x 10 Ringed 1,5x23mm (36x)</p> <p>2/+</p>	<p>G</p>  <p>Cam Bolt (8x)</p> <p>1/+</p>	<p>H</p>  <p>Cam Nut Ø12x8,8mm (4x)</p> <p>1/+</p>
<p>I</p>  <p>Plastic Foot L 19x17x8mm ø2 (4x)</p> <p>1/+</p>	<p>J</p>  <p>Hole Plugs 19mm (10x)</p> <p>2/+</p>	<p>K</p>  <p>GLUE</p> <p>Glue 10G (2x)</p>	<p>L</p>  <p>Handle (2x)</p>
<p>M</p>  <p>Drawer Runners 350mm (2x)</p>	<p>N</p>  <p>Cam Nut Ø14,9x11mm (4x)</p> <p>1/+</p>	<p>O</p>  <p>Flan Head Screw Ø3,5 x 30mm (1x)</p> <p>1/+</p>	<p>P</p>  <p>Strap 200x20x1MM (1x)</p>
<p>Q</p>  <p>Washer Ø16x7 (2x)</p> <p>1/+</p>	<p>R</p>  <p>Hole Plugs Lineo 19mm (6x)</p> <p>+/2</p>		

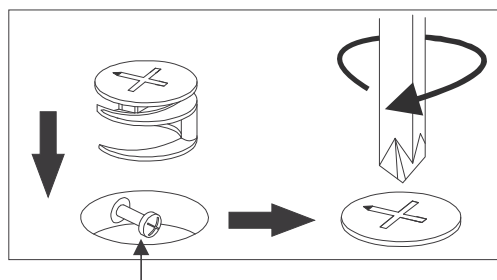
TIPS FOR FITTINGS CAM-LOCKS

WHEN FITTING CAM NUT. ENSURE STARTING POSITION IS CORRECT BEFORE YOU INSERT CONNECTING CAM BOLT TURN CLOCKWISE UNTIL SECURE



↑
↑
↑
↑

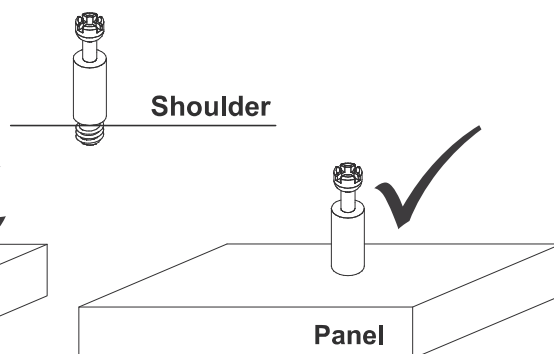
CORRECT
WRONG



Cam bolt head needs to be in centre

CAMBOLT

Tighten until shoulder in flush with panel. Do not overtighten or undertighten (see example below)

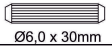



STEP 1

PARTS REQUIRED

1 - LEFT SIDE PANEL x1

HARDWARE REQUIRED

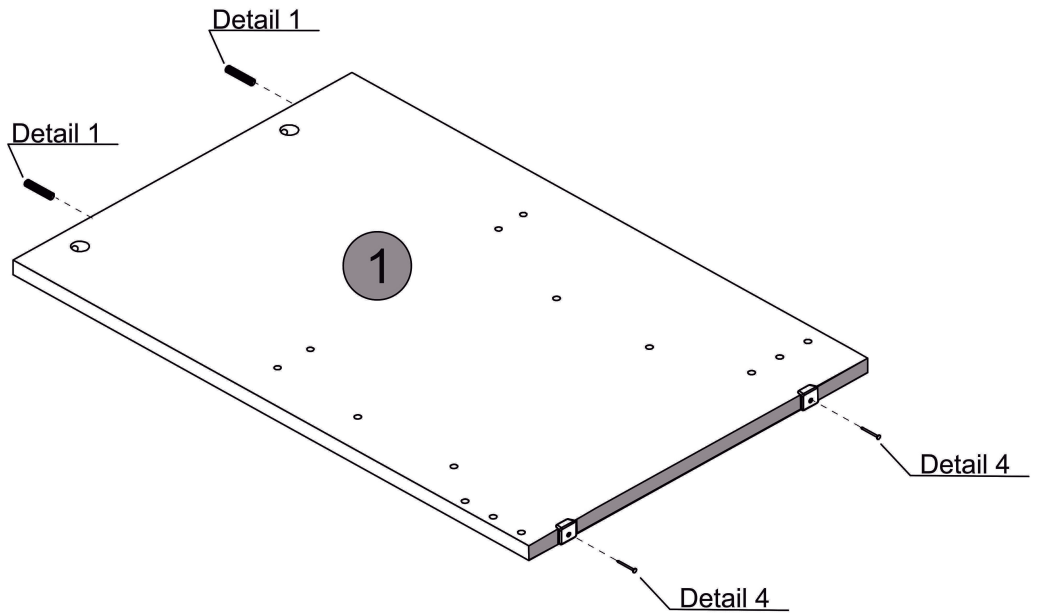
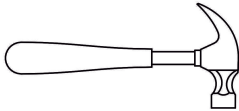
E  02
Ø6,0 x 30mm

F  02
10 x 10

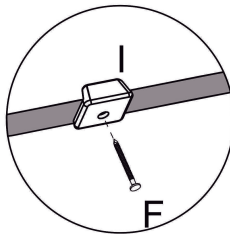
I  02

K  01

TOOLS REQUIRED



Detail 1




Detail 4


STEP 2

PARTS REQUIRED

2 - RIGHT SIDE PANEL x1

HARDWARE REQUIRED

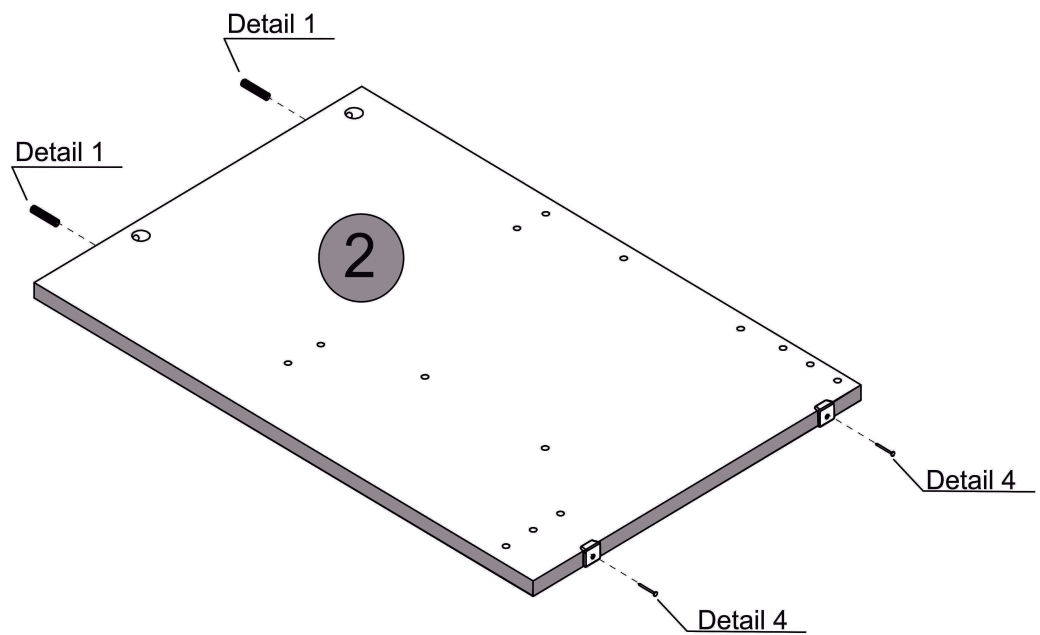
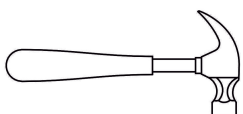
E  02
Ø6,0 x 30mm

F  02
10 x 10

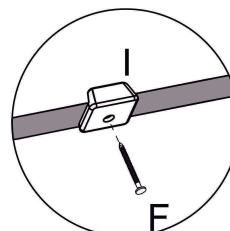
I  02

K  01

TOOLS REQUIRED



Detail 1




Detail 4


STEP 3

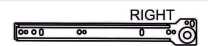
PARTS REQUIRED

2 - RIGHT SIDE PANEL x1

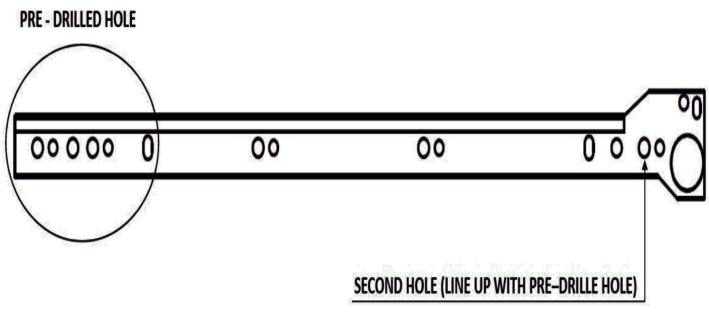
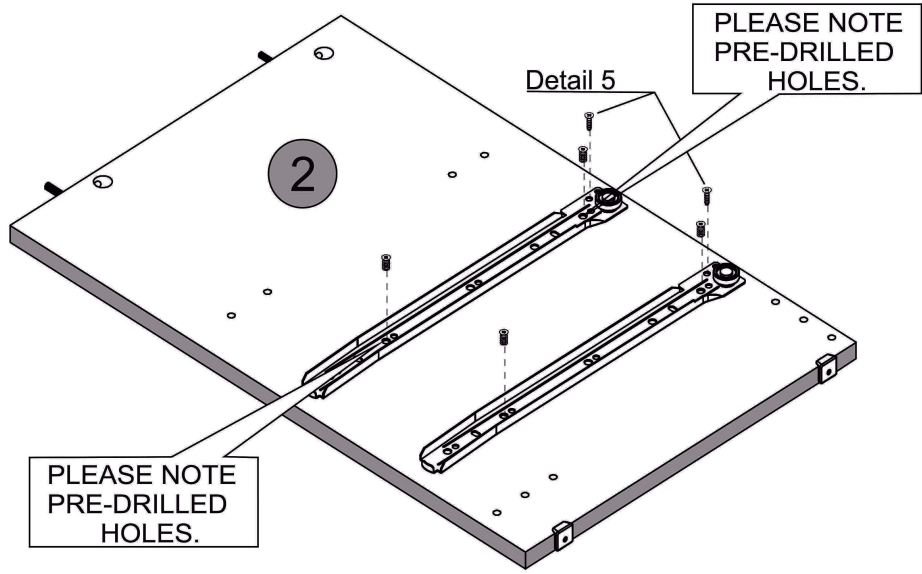
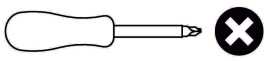
HARDWARE REQUIRED

A  04
Ø6,0 x 10mm

B  02
Ø4,0 x 14mm

M  02
RIGHT

TOOLS REQUIRED





STEP 4

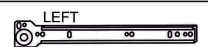
PARTS REQUIRED

1 - LEFT SIDE PANEL x1

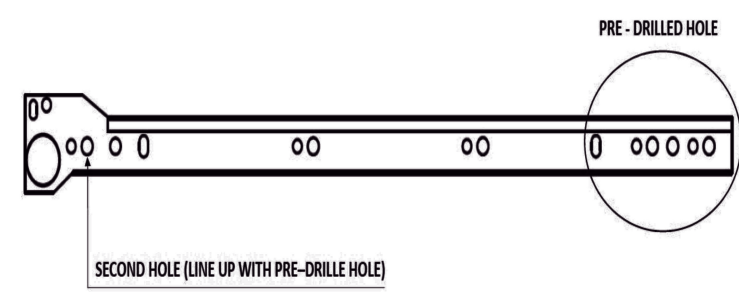
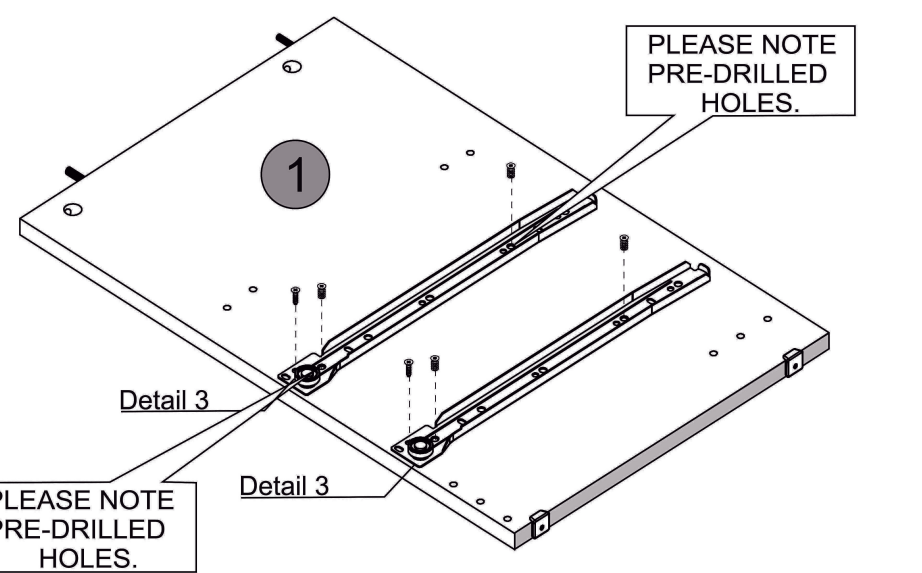
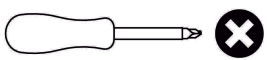
HARDWARE REQUIRED

A  04
Ø6,0 x 10mm

B  02
Ø4,0 x 14mm

M  02
LEFT

TOOLS REQUIRED



STEP 5

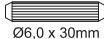
PARTS REQUIRED

4 - FRONT BASEBOARD x1

9 - BACK BASEBOARD x1

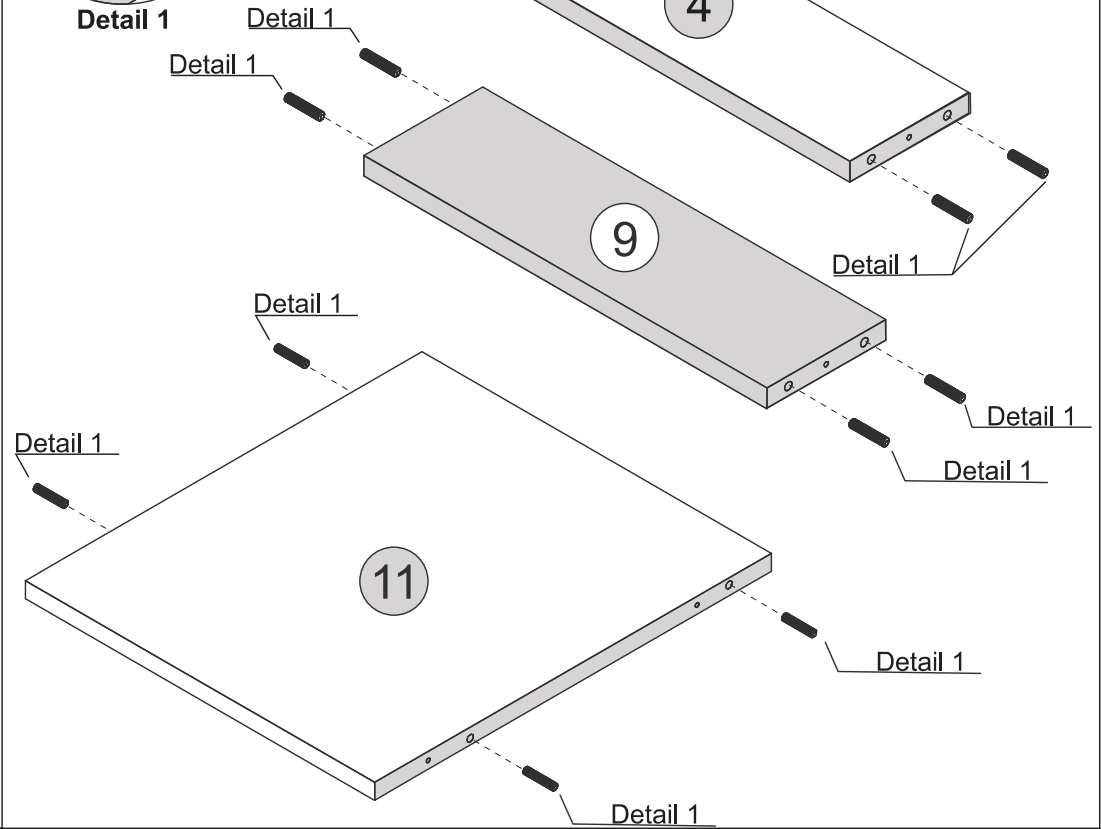
11 - SHELF x1

HARDWARE REQUIRED

E  12
Ø6,0 x 30mm

K  01
GLUE

TOOLS REQUIRED



STEP 6

PARTS REQUIRED

2 - RIGHT SIDE PANEL x1

4 - FRONT BASEBOARD x1

9 - BACK BASEBOARD x1

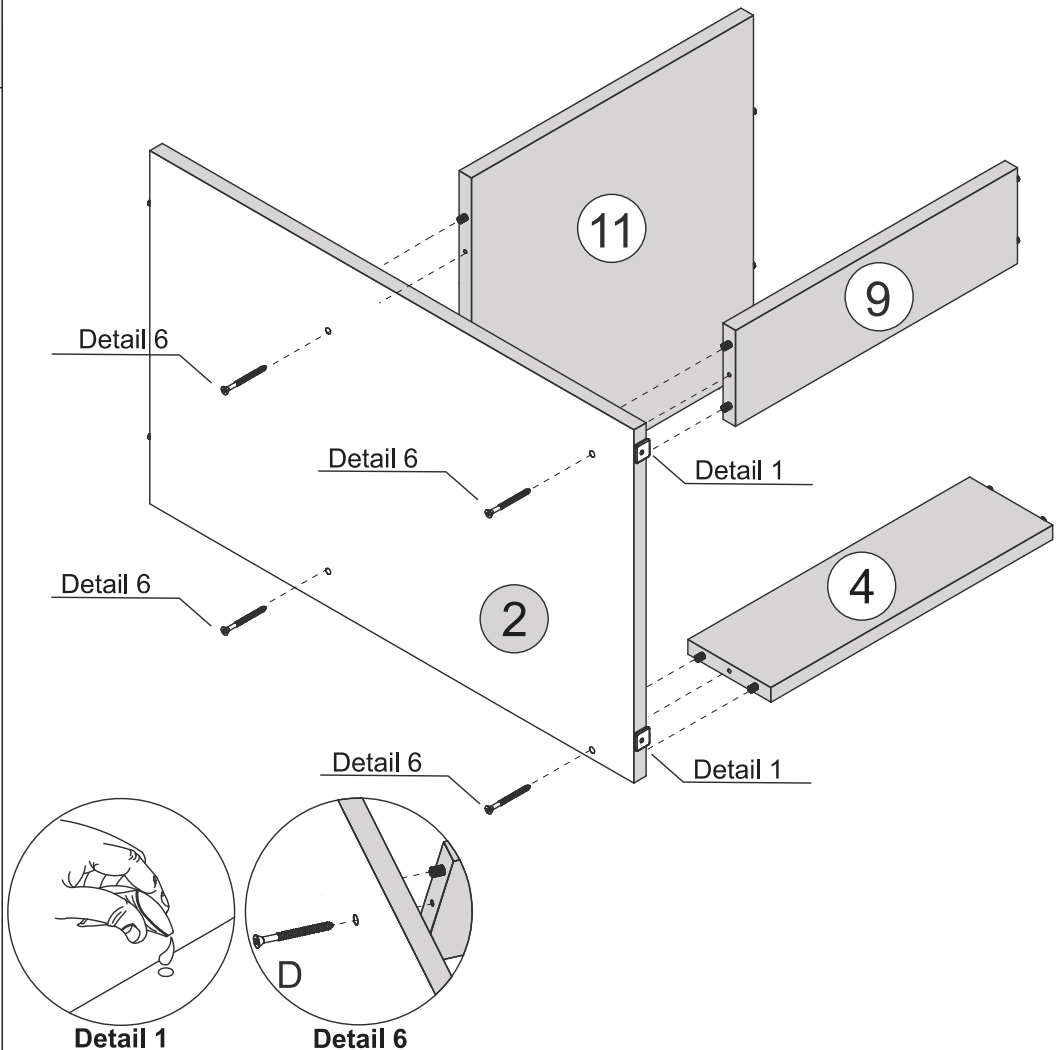
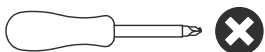
11 - SHELF x1

HARDWARE REQUIRED

D  04
Ø4,0 x 50mm

K  01
GLUE

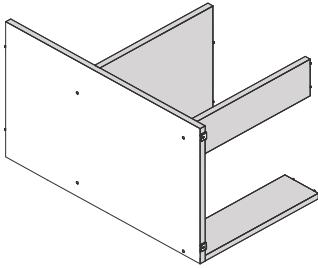
TOOLS REQUIRED




STEP 7

PARTS REQUIRED

1 - LEFT SIDE PANEL x1

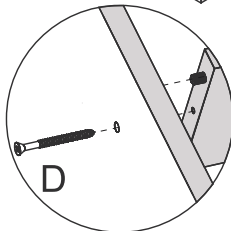
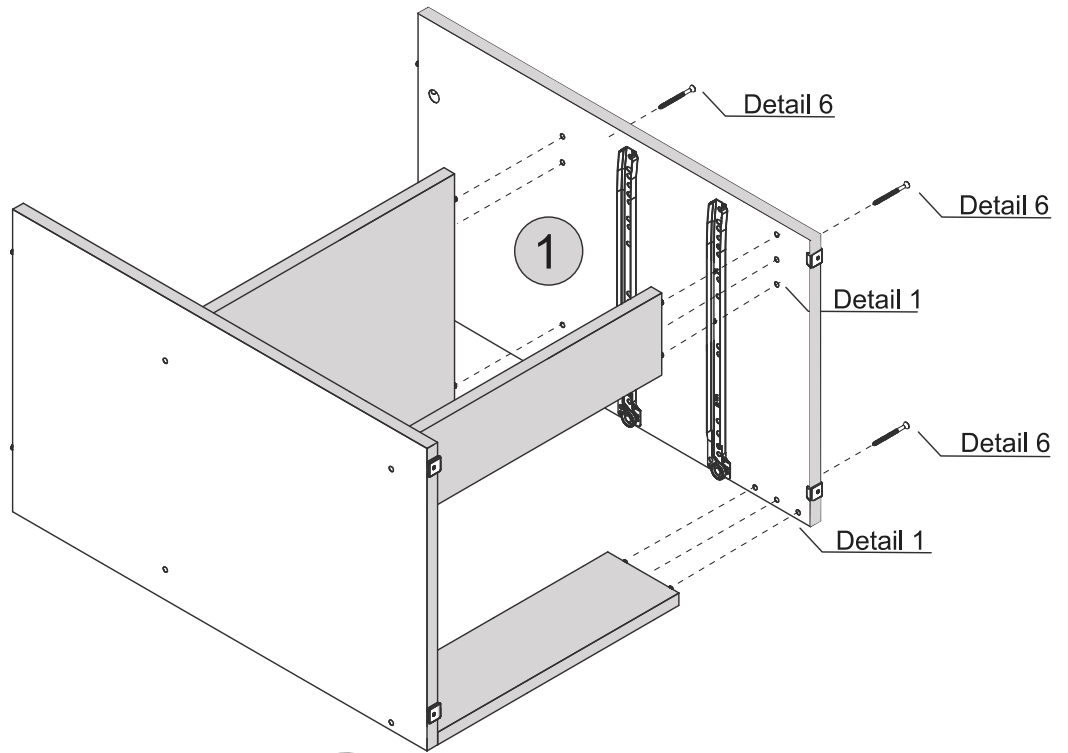
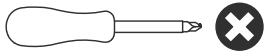


HARDWARE REQUIRED

D  04
Ø4.0 x 50mm

K  01
GLUE

TOOLS REQUIRED



Detail 1


Detail 6

STEP 8

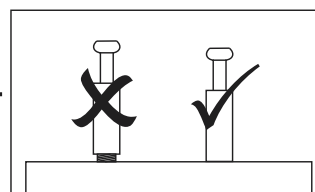
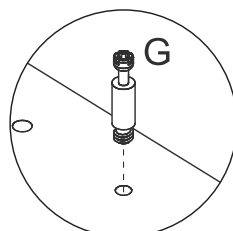
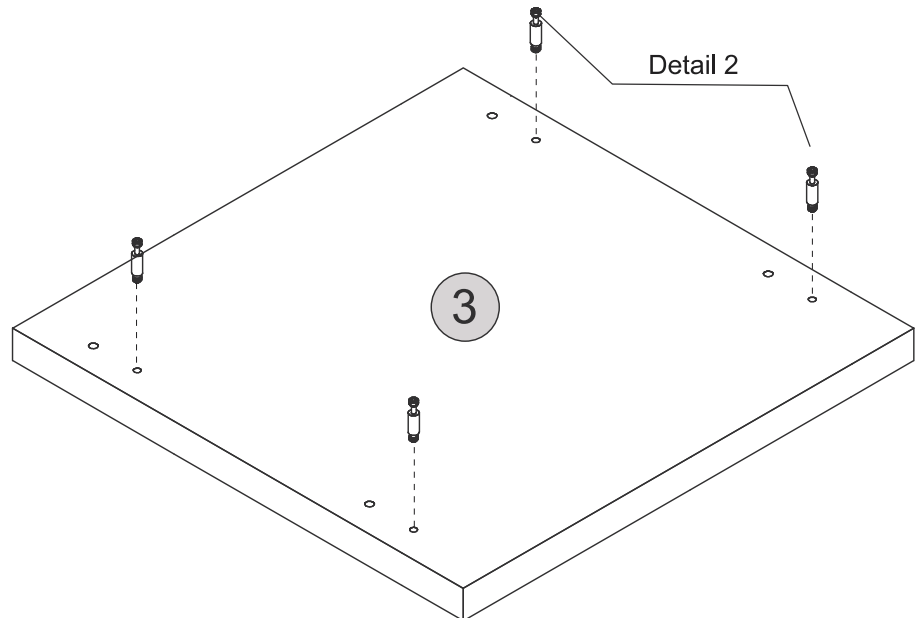
PARTS REQUIRED

3 - TOP PANEL x1

HARDWARE REQUIRED

G  04

TOOLS REQUIRED

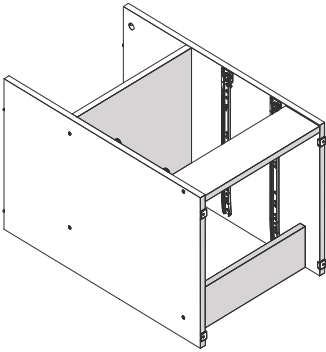


Detail 2

STEP 9

PARTS REQUIRED

3 - TOP PANEL x1

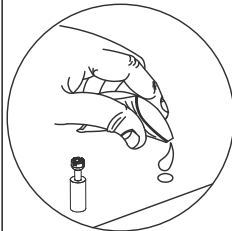
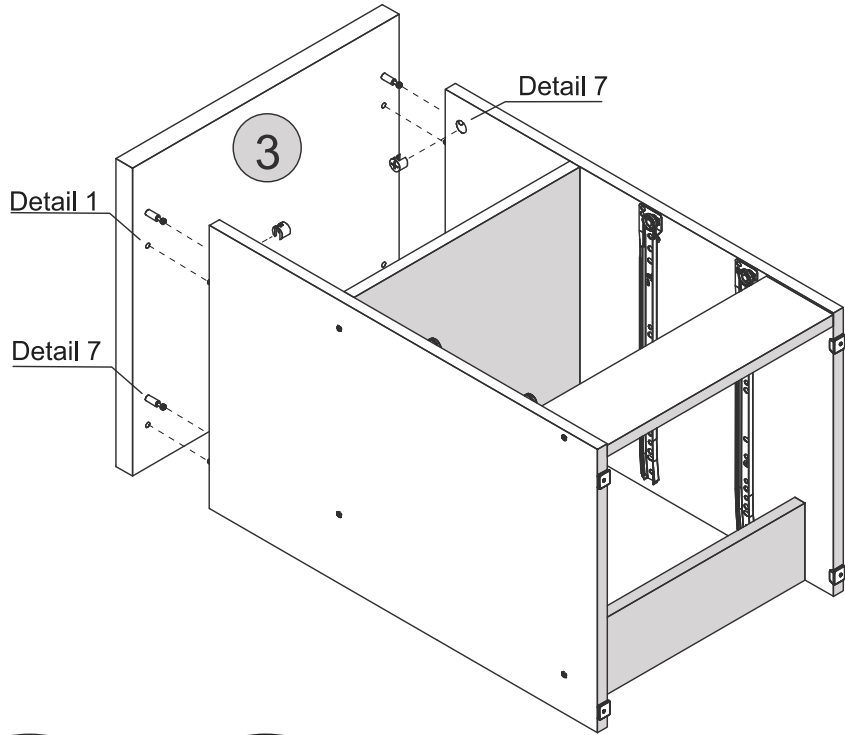
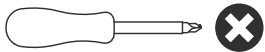


HARDWARE REQUIRED

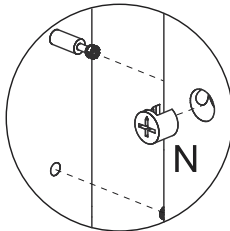
K  01

N  04

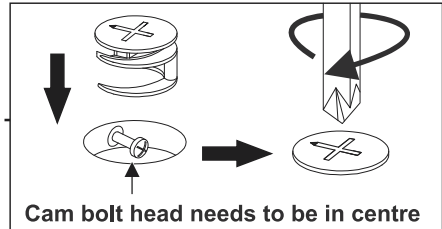
TOOLS REQUIRED



Detail 1



Detail 7

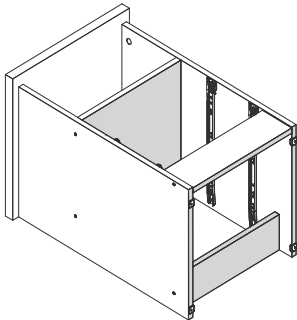


Cam bolt head needs to be in centre

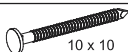
STEP 10

PARTS REQUIRED

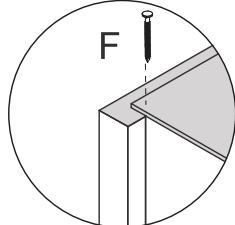
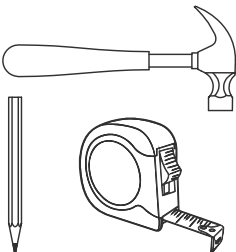
10 - BACK PANEL x1



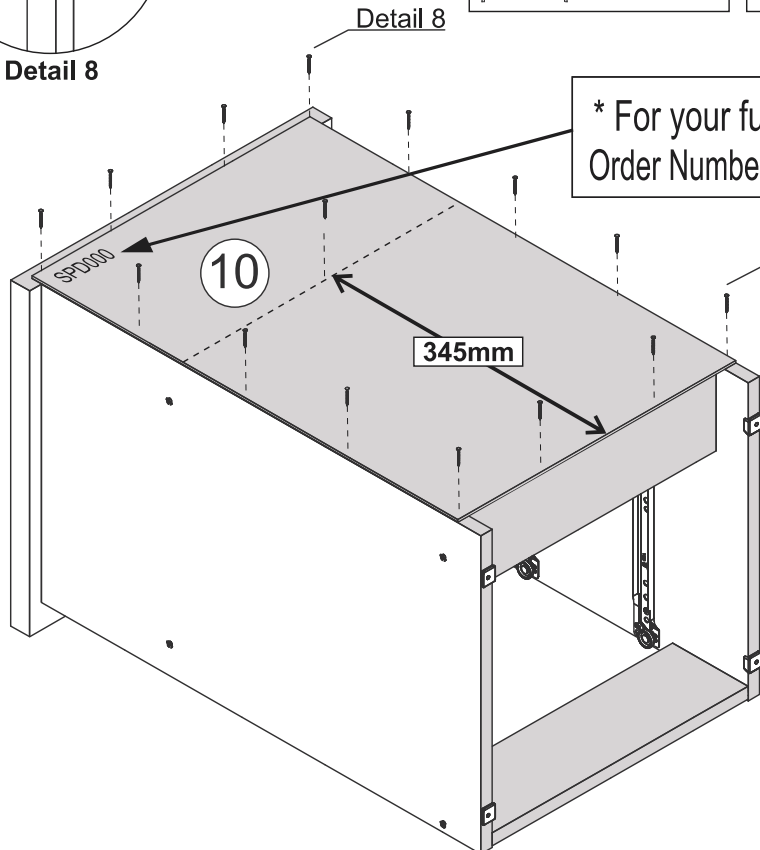
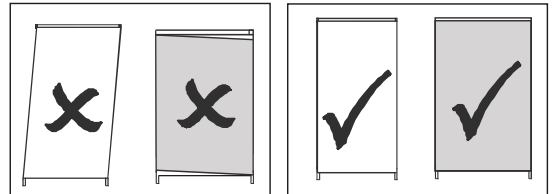
HARDWARE REQUIRED

F  16
10 x 10

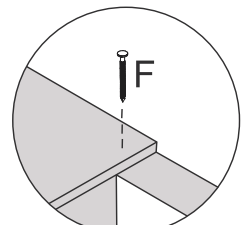
TOOLS REQUIRED



Detail 8



* For your future reference
Order Number should be here



Detail 8


STEP 11

PARTS REQUIRED

6 - DRAWER SIDE x4

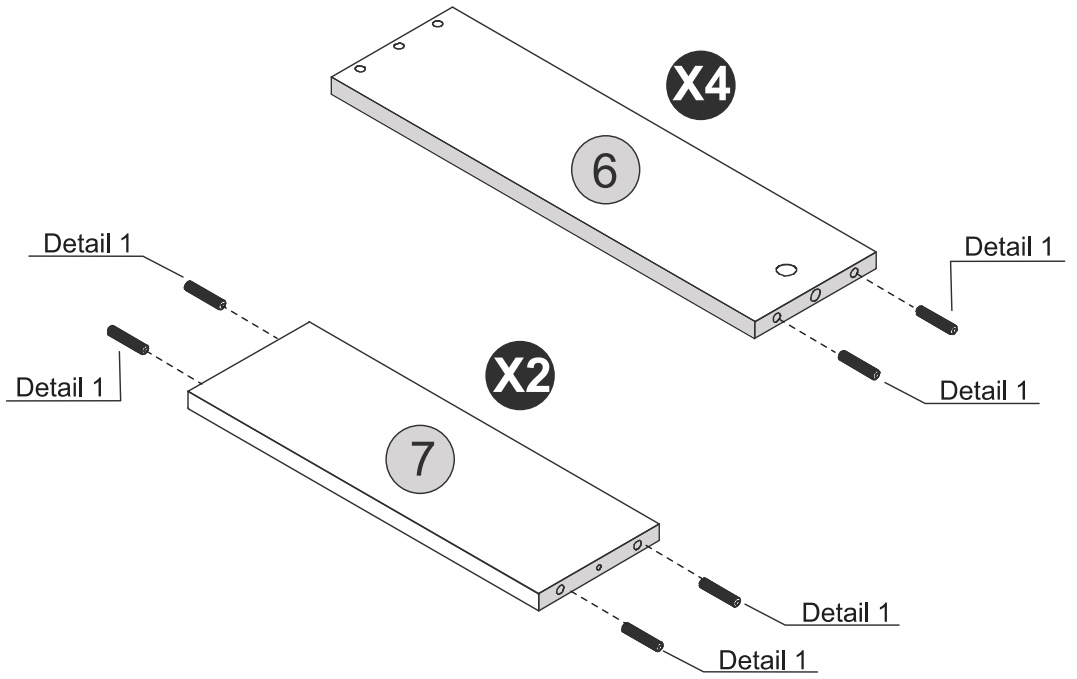
7 - DRAWER BACK PANEL x2

HARDWARE REQUIRED

E  16
Ø6,0 x 30mm

K  01
GLUE

TOOLS REQUIRED



STEP 12

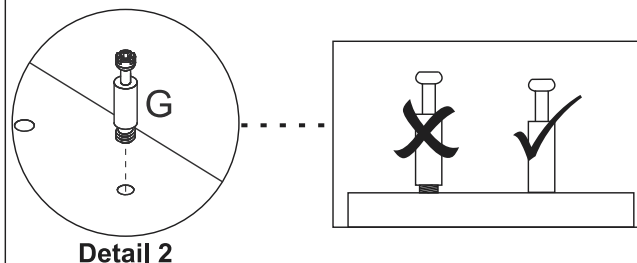
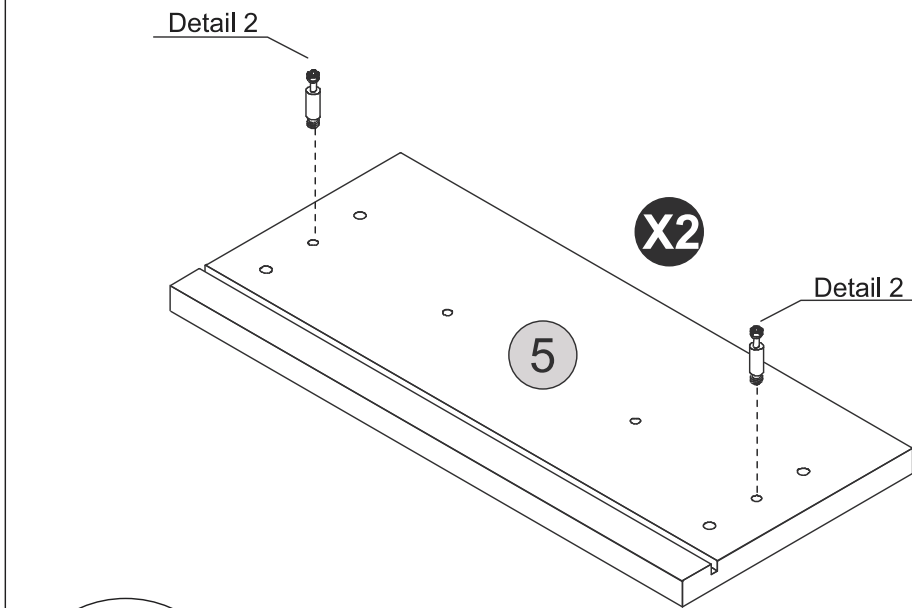
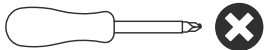
PARTS REQUIRED

5 - DRAWER FRONT x2

HARDWARE REQUIRED

G  04

TOOLS REQUIRED



STEP 13

PARTS REQUIRED

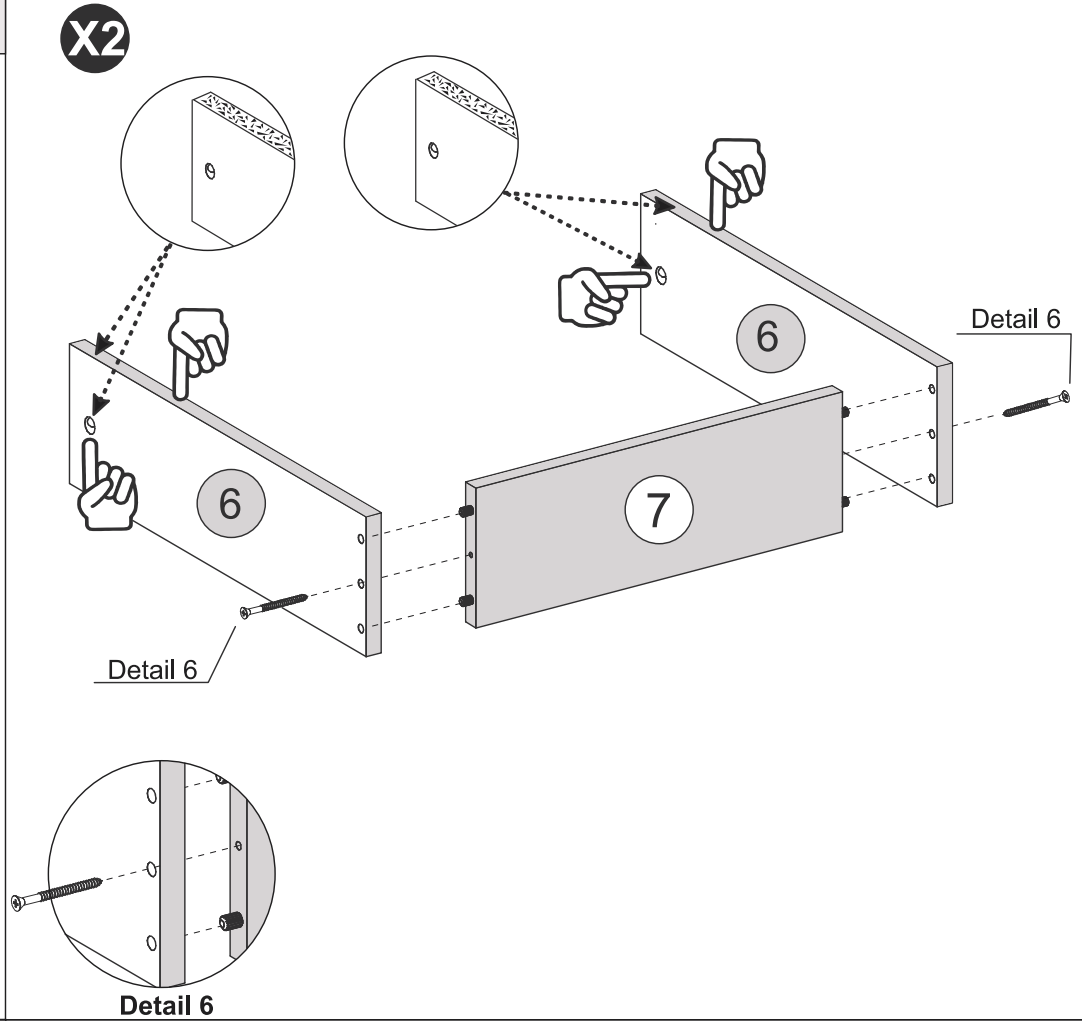
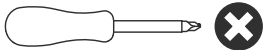
6 - DRAWER SIDE x4

7- DRAWER BACK PANEL x2

HARDWARE REQUIRED

D  04
Ø4,0 x 50mm

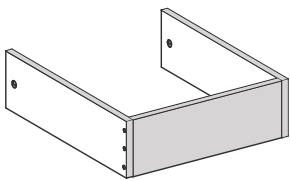
TOOLS REQUIRED



STEP 14

PARTS REQUIRED

5 - DRAWER FRONT x2

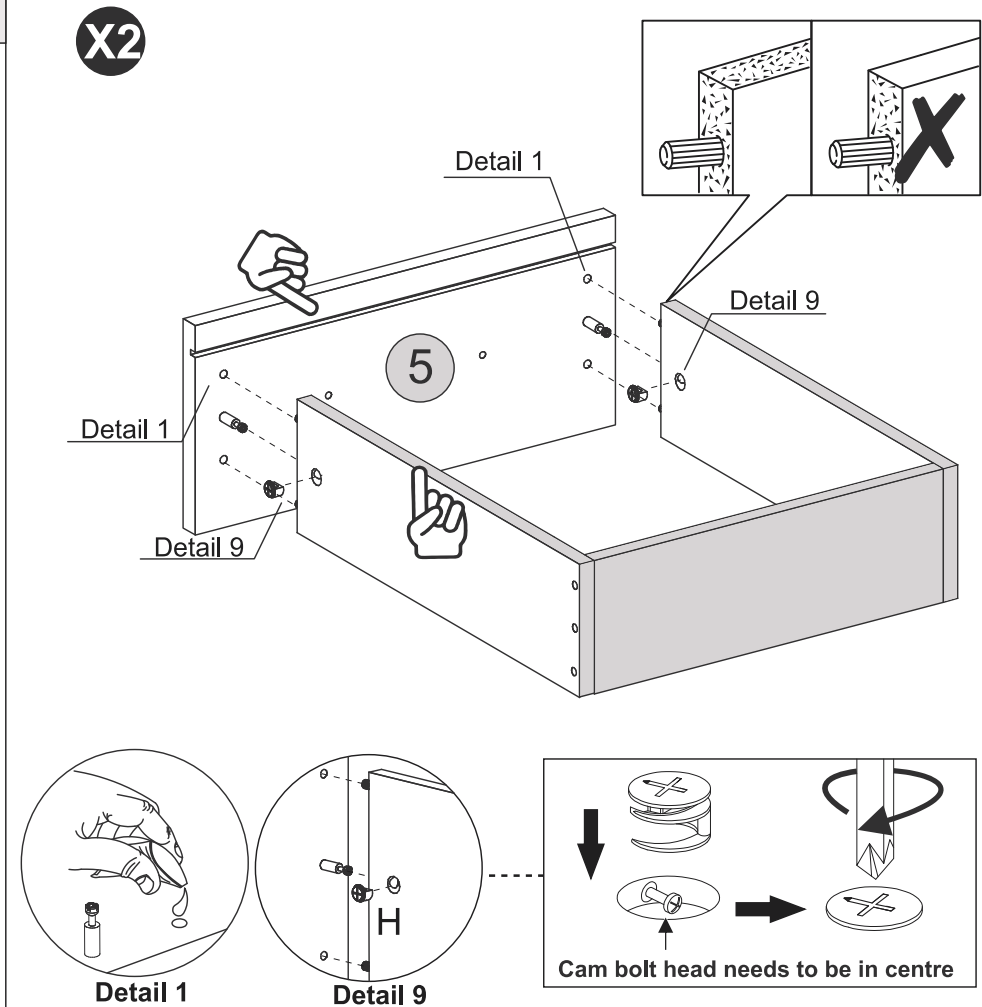
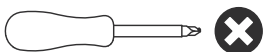


HARDWARE REQUIRED

H  04

K  01
GLUE

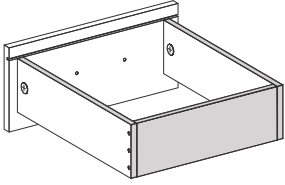
TOOLS REQUIRED



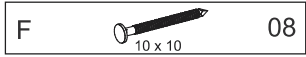
STEP 15

PARTS REQUIRED

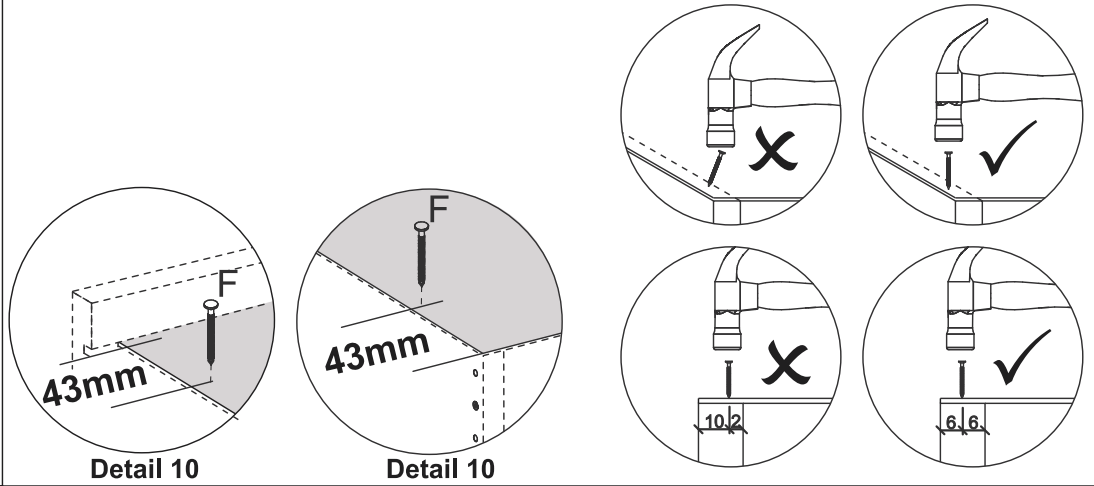
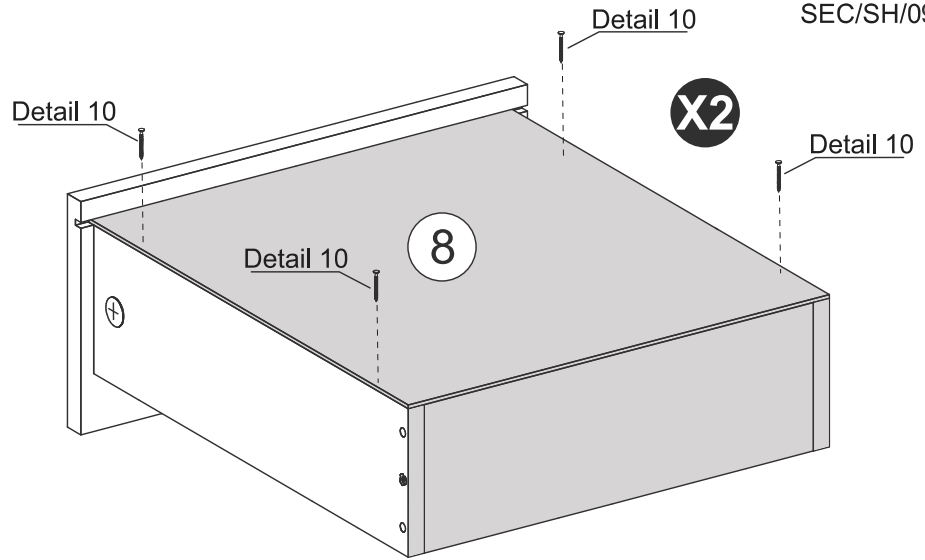
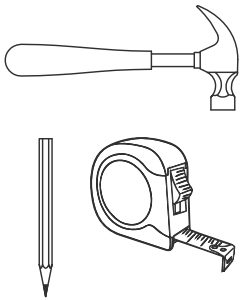
8 - DRAWER BOTTOM x2



HARDWARE REQUIRED

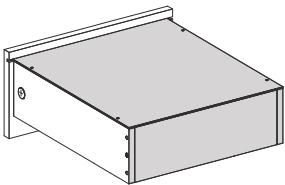


TOOLS REQUIRED

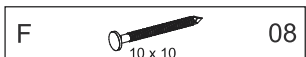


STEP 16

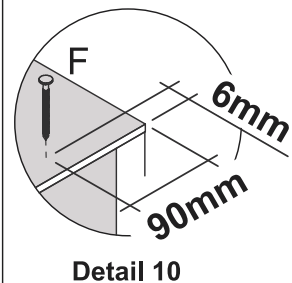
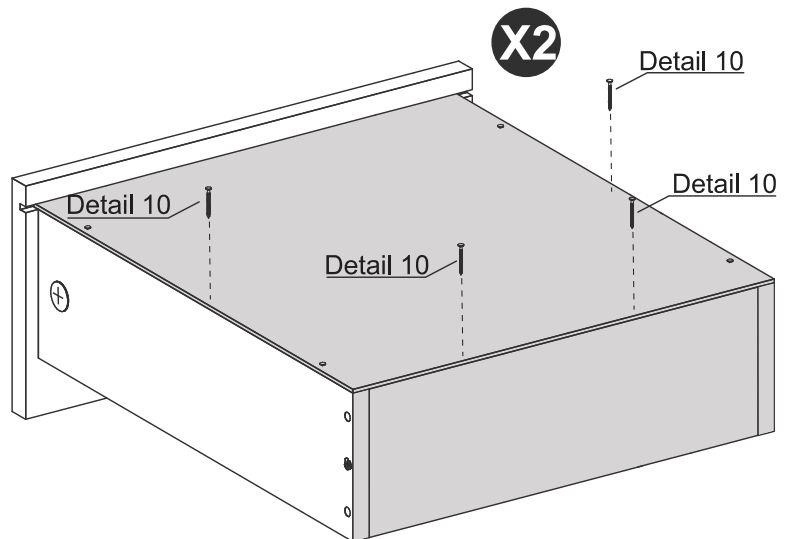
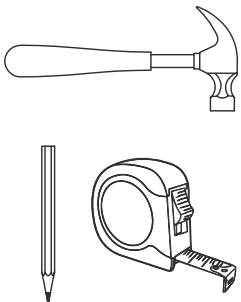
PARTS REQUIRED



HARDWARE REQUIRED

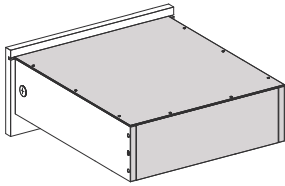


TOOLS REQUIRED



STEP 17

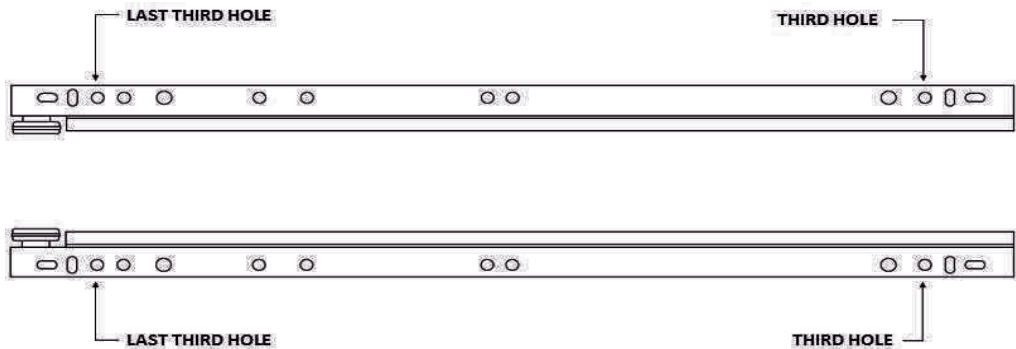
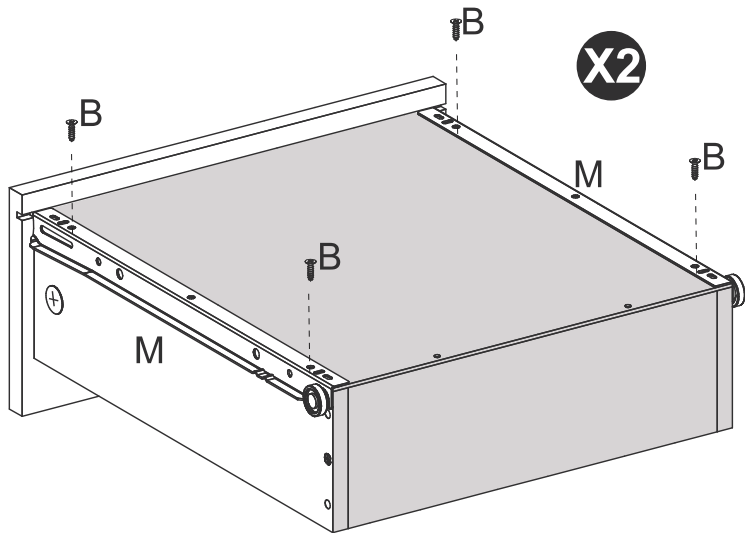
PARTS REQUIRED



HARDWARE REQUIRED

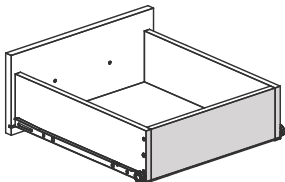


TOOLS REQUIRED

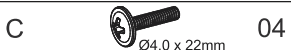


STEP 18

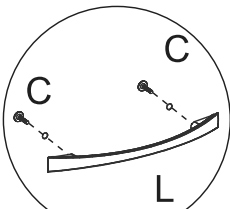
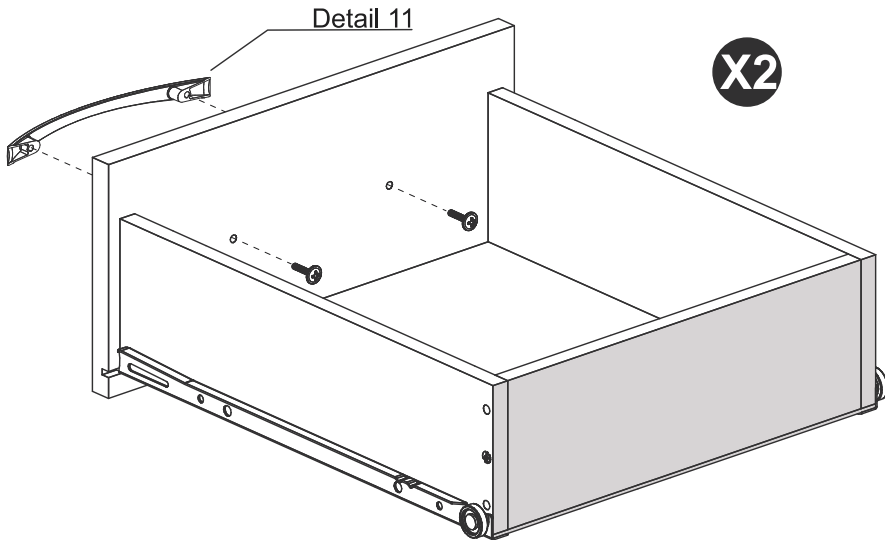
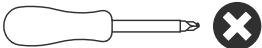
PARTS REQUIRED



HARDWARE REQUIRED



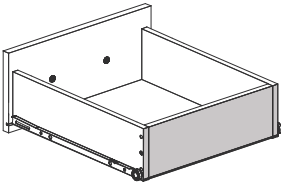
TOOLS REQUIRED



Detail 11

STEP 19

PARTS REQUIRED

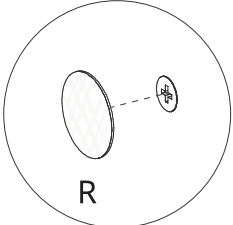
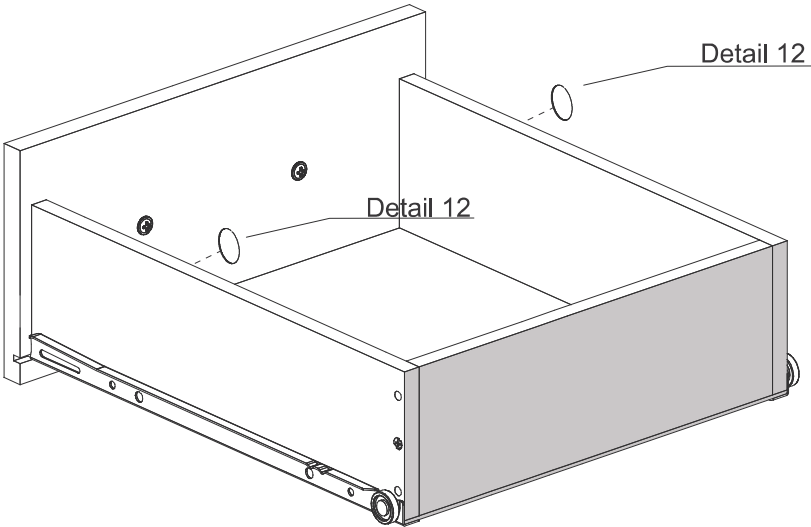


HARDWARE REQUIRED



TOOLS REQUIRED

X2

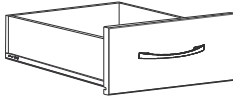
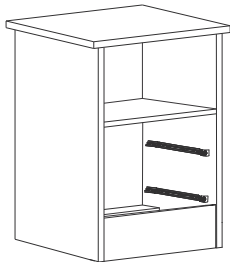


R

Detail 12

STEP 20

PARTS REQUIRED



HARDWARE REQUIRED

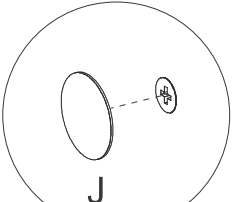
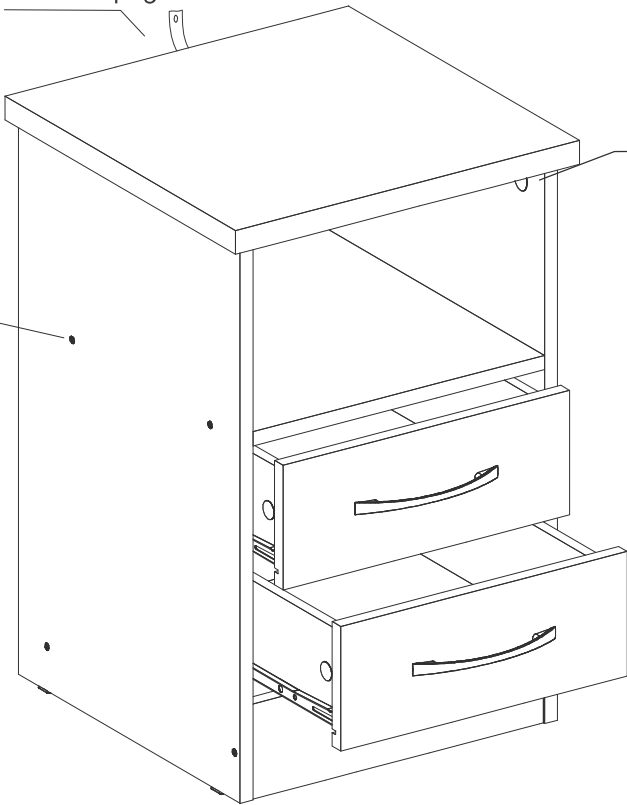


TOOLS REQUIRED

TIP
If desired, after assembly use an alcohol cleaner to erase the number printed on the parts.



See the last page



J

Detail 12

WARNING

Serious or fatal injuries can occur from furniture tipping over. To prevent the furniture from tipping over we recommend that it is permanently fixed to the wall.

Wall fixings are not supplied with this product as different wall materials require different types of fixing devices. Please make sure you use fixings suitable for the walls in your home.

