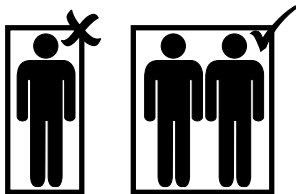
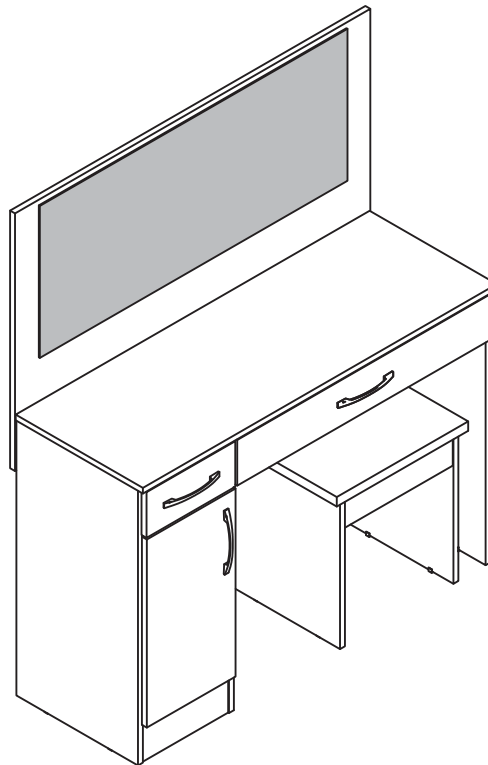


NEVADA VANITY DRESSING TABLE SET ASSEMBLY INSTRUCTIONS



* You should assemble this product
with two people



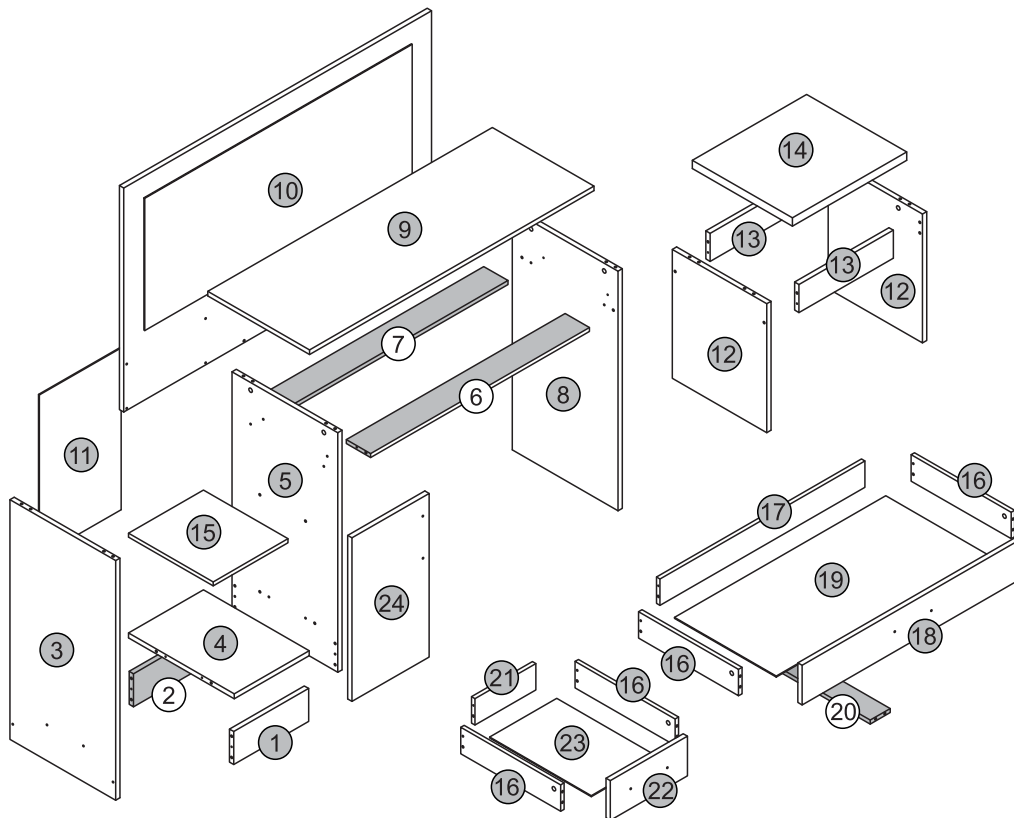
IMPORTANT FOR DOMESTIC USE ONLY

PLEASE READ BEFORE YOU CONTINUE FURTHER

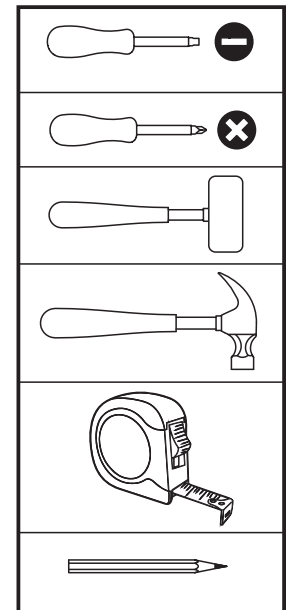
CARE AND MAINTENANCE

After unpacking this product please keep the original packaging in case it needs to be returned for any reason.

- Please ensure all fittings and parts are present before commencing with assembly.
- Never drag or push products as this could cause damage to the joints making it inferior.
- We strongly recommend that you keep children away from your work area.
- We recommend that you lay a blanket or sheet on the floor to avoid damage to both your floor and the product.
- Assemble this product as close to its final position as possible.
- Do not place this product next to a radiator or in direct sunlight.
- Do not drag or push items across your high gloss furniture as this may cause the surface to scratch
- Wood is a natural product and may expand if subjected to damp and may shrink or crack if subjected to heat. Therefore it is recommended that room temperature is maintained, with no sudden temperature fluctuations.
- Make sure any spillage is wiped off immediately.
- Do not place hot or chilled items directly on to the surface, use a place mat or marking will occur.
- For general cleaning use a soft cotton or micro fibre cloth, and do not use detergents of any kind.
- From time to time it may be necessary to tighten fittings, regular inspections should be carried out.
- Do not place on a wet or damp floor as staining may occur to your floor.



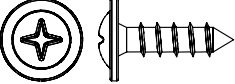
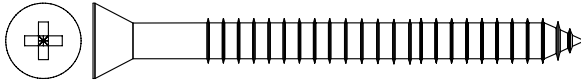

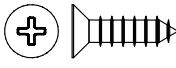
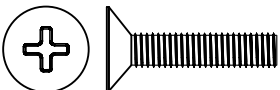


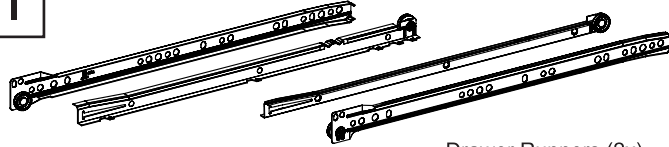
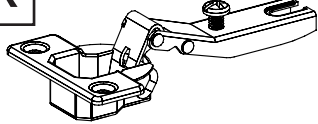
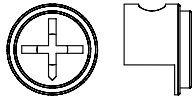
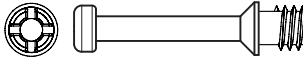
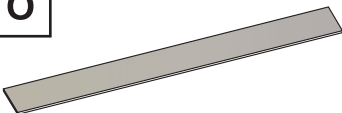
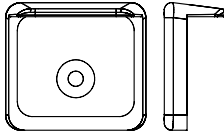

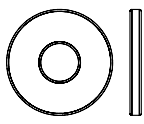
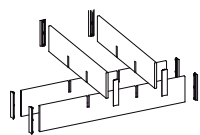

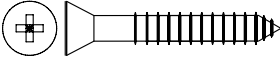
TOOLS REQUIRED

**PARTS LIST***Please Note:*

The below parts have all been stamped with the part number to help identify them during assembly

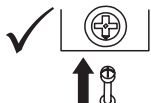
Part Number	Part Description	Quantity	Carton
1	Front Baseboard	1	1/2
2	Back Baseboard	1	1/2
3	Left Side Panel	1	1/2
4	Base Panel	1	1/2
5	Left Division Panel	1	1/2
6	Front Crossbar	1	1/2
7	Back Crossbar	1	1/2
8	Right Side Panel	1	1/2
9	Top Panel	1	1/2
10	Mirror Panel	1	2/2
11	Back Panel	1	1/2
12	Stool Side Panel	2	1/2
13	Stool Crosspiece	2	1/2
14	Stool Seat	1	1/2
15	Shelf	1	1/2
16	Drawer Side	4	1/2
17	Large Drawer Back Panel	1	1/2
18	Large Drawer Front	1	1/2
19	Large Drawer Bottom	1	1/2
20	Drawer Bottom Support Bar	1	1/2
21	Small Drawer Back Panel	1	1/2
22	Small Drawer Front	1	1/2
23	Small Drawer Bottom	1	1/2
24	Door	1	1/2

FITTINGS LIST

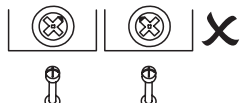
<p>A</p>  <p>Flan Head Screw Ø4,0 x 14mm (2x)</p> <p>1/+</p>	<p>B</p>  <p>Flat Head Screw Ø4,0 x 50mm (4x)</p> <p>1/+</p>	<p>C</p>  <p>Flat Head Screw Ø3,5 x 40mm (8x)</p> <p>2/+</p>
<p>D</p>  <p>Flat Head Screw Ø4,0 x 14mm (20x)</p> <p>2/+</p>	<p>E</p>  <p>Flan Head Screw Ø4,0 x 20mm (6x)</p> <p>1/+</p>	<p>F</p>  <p>Flat Head Screw Ø6,0 x 8mm (8x)</p> <p>2/+</p>
<p>H</p>  <p>Glue (2x)</p>	<p>I</p>  <p>Drawer Runners (2x)</p>	
<p>K</p>  <p>Hinge (2x)</p>	<p>L</p>  <p>Cam Nut 12mm (14x)</p> <p>1/+</p>	<p>M</p>  <p>Cam Bolt (14x)</p> <p>1/+</p>
<p>O</p>  <p>Strap 200mm (2x)</p>	<p>P</p>  <p>Plastic Foot (10x)</p> <p>1/+</p>	<p>Q</p>  <p>Handle (3x)</p>
<p>S</p>  <p>Washer (4x)</p> <p>1/+</p>	<p>T</p>  <p>Drawer Divider Kit (1x)</p>	<p>U</p>  <p>Drawer Divider Finish (12x)</p> <p>2/+</p>
<p>W</p>  <p>Flat Head Screw Ø3,5 x 25mm (1x)</p> <p>1/+</p>		

TIPS FOR FITTINGS CAM-LOCKS

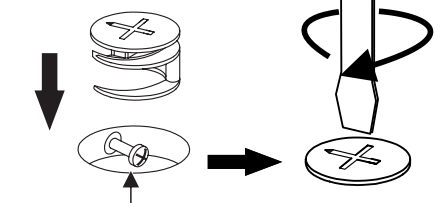
WHEN FITTING CAM NUT, ENSURE STARTING POSITION IS CORRECT BEFORE YOU INSERT CONNECTING CAM BOLT TURN CLOCKWISE UNTIL SECURE



↑
CORRECT



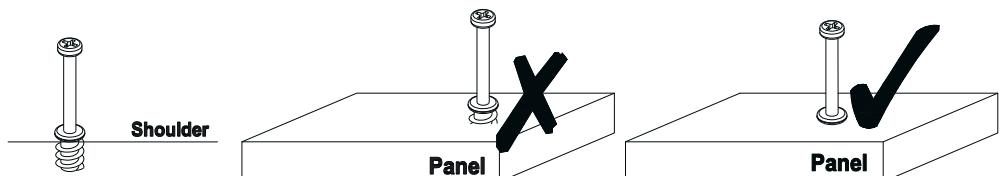
↓
WRONG



Cam bolt head needs to be in centre

CAMBOLT

Tighten until shoulder is flush with panel. Do not overtighten or undertighten (see example beside)




STEP 1

PARTS REQUIRED

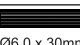
3 - LEFT SIDE PANEL x1

HARDWARE REQUIRED

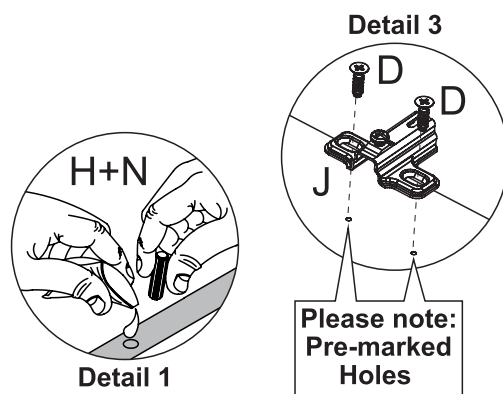
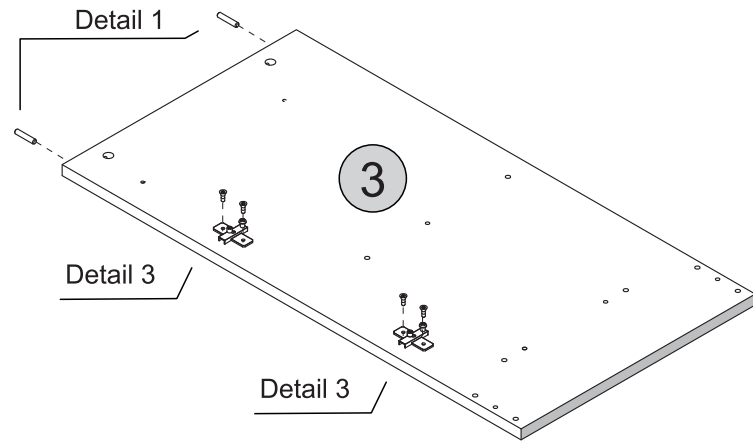
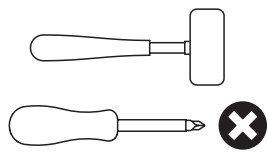
D  04
Ø4,0 x 14mm

H  01

J  02

N  02
Ø6,0 x 30mm

TOOLS REQUIRED




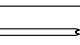
STEP 2

PARTS REQUIRED

3 - LEFT SIDE PANEL x1

HARDWARE REQUIRED

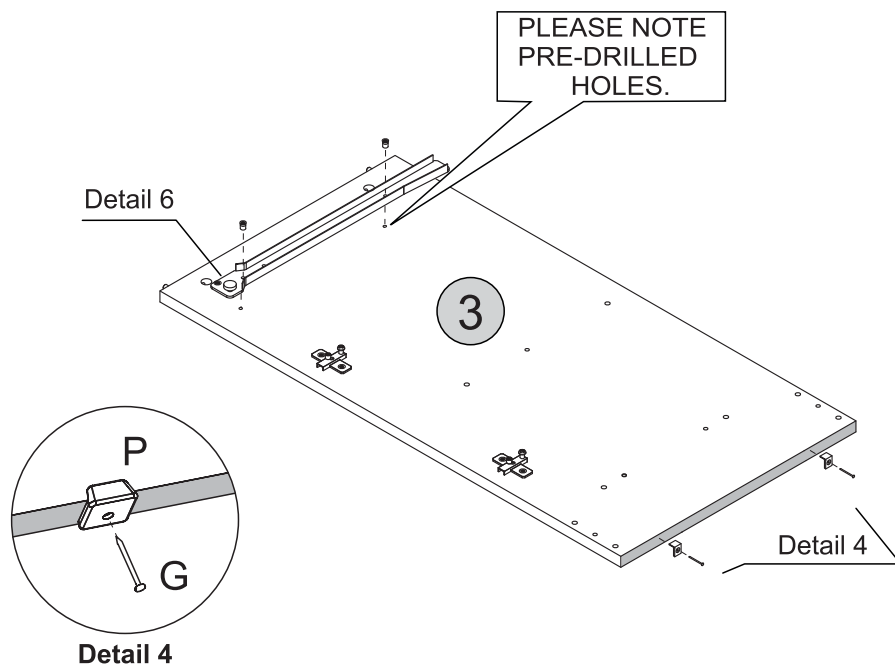
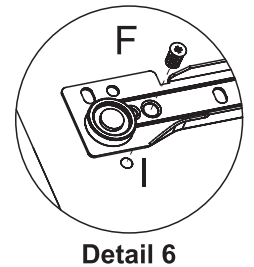
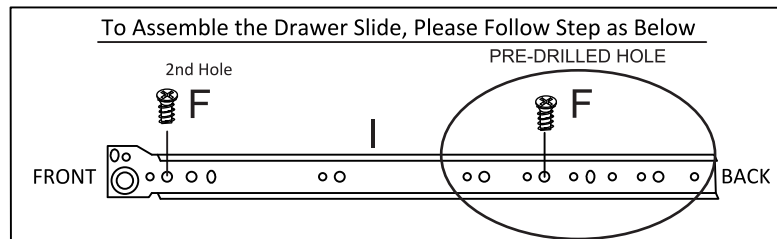
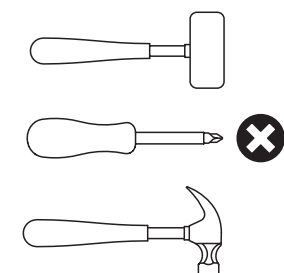
F  02
Ø6,0 x 8mm

G  02

I  Left 01

P  02

TOOLS REQUIRED




STEP 3

PARTS REQUIRED


5 - LEFT DIVISION PANEL x1

HARDWARE REQUIRED

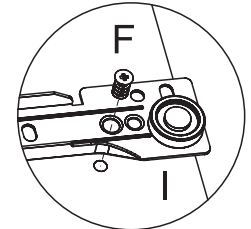
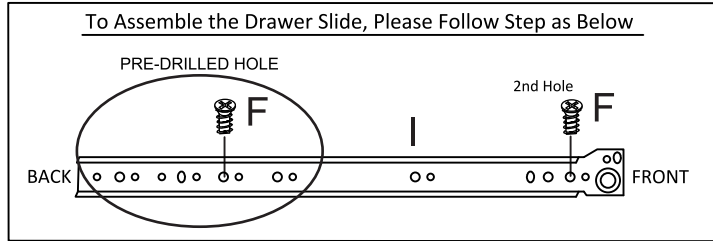
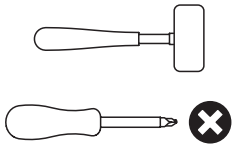
F  02
Ø6,0 x 8mm

H  01

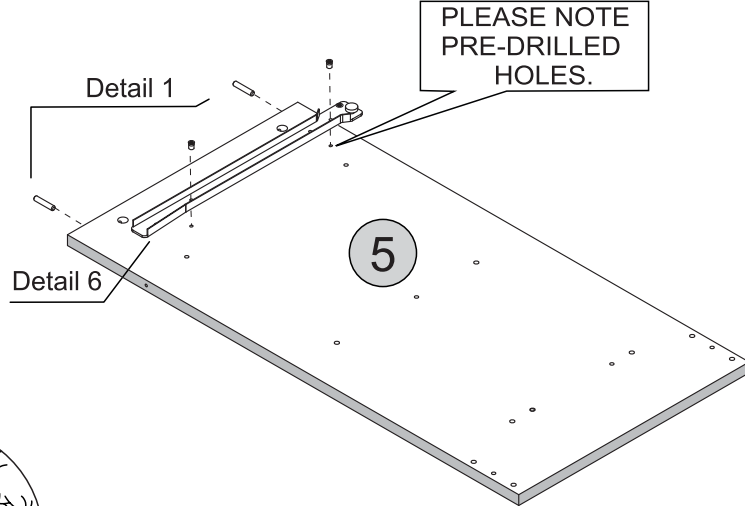
I  Right 01

N  02
Ø6,0 x 30mm

TOOLS REQUIRED



Detail 6



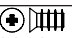
Detail 1


STEP 4

PARTS REQUIRED

5 - LEFT DIVISION PANEL x1

HARDWARE REQUIRED

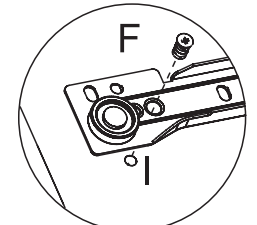
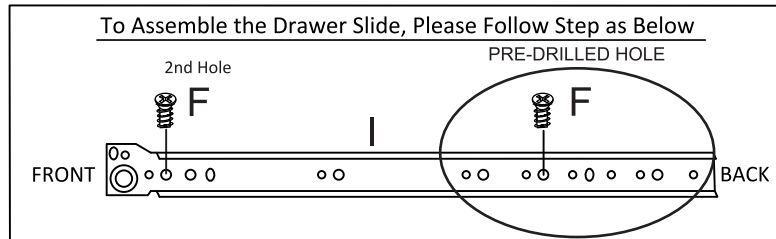
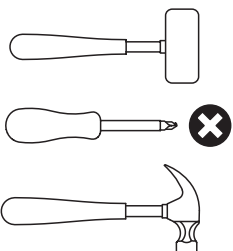
F  02
Ø6,0 x 8mm

G  02

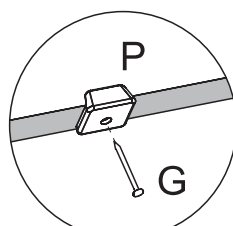
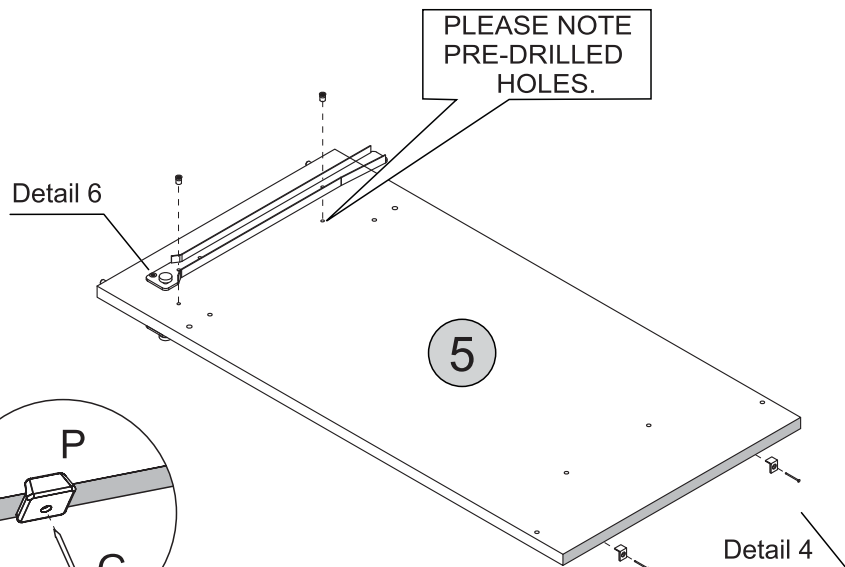
I  Left 01

P  02

TOOLS REQUIRED



Detail 6




Detail 4

STEP 5


PARTS REQUIRED

8 - RIGHT SIDE PANEL x1

HARDWARE REQUIRED

F  02
Ø6,0 x 8mm

G  02

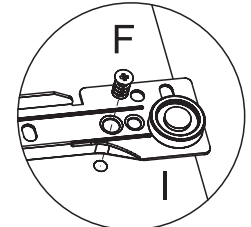
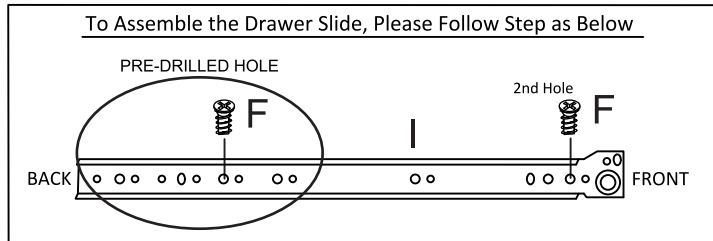
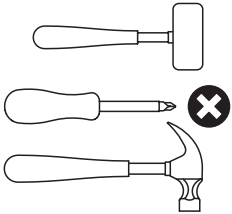
H  01

I  Right 01

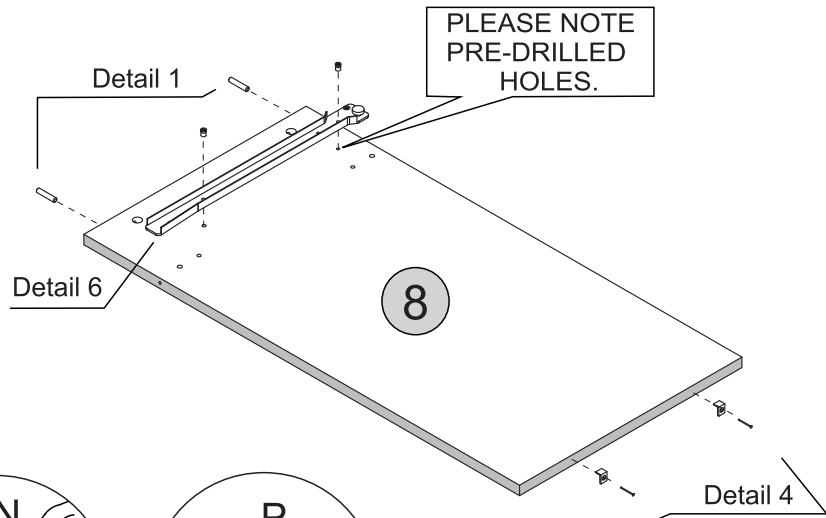
N  02
Ø6,0 x 30mm

P  02

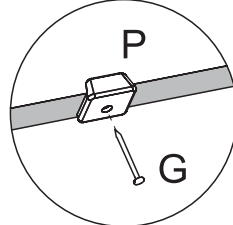
TOOLS REQUIRED



Detail 6



Detail 1



Detail 4

STEP 6

PARTS REQUIRED

1 - FRONT BASEBOARD x1

2 - BACK BASEBOARD x1

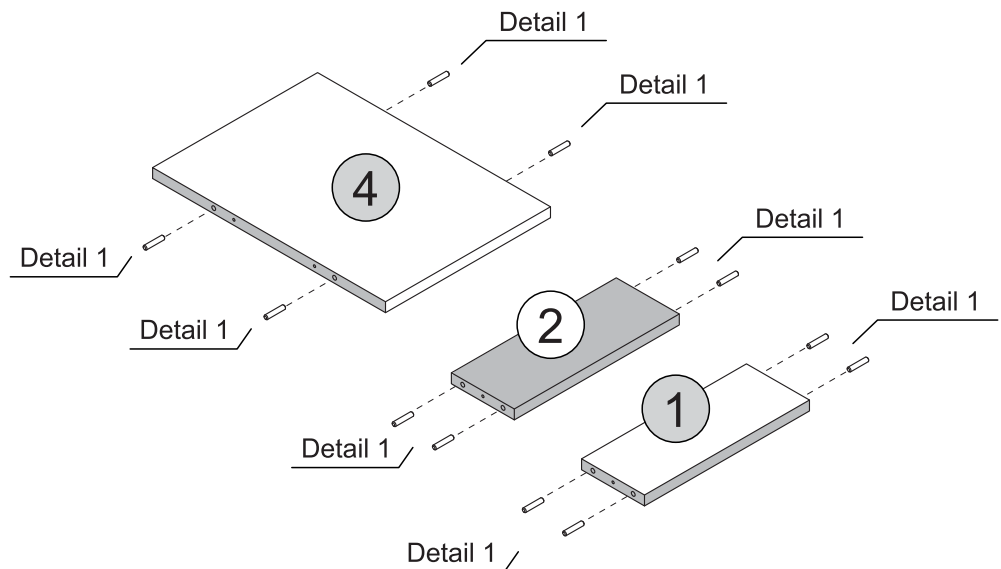
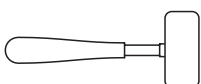
4 - BASE PANEL x1

HARDWARE REQUIRED

H  01

N  12
Ø6,0 x 30mm

TOOLS REQUIRED



Detail 1

STEP 7

PARTS REQUIRED

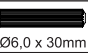
6 - FRONT CROSSBAR x1

7 - BACK CROSSBAR x1

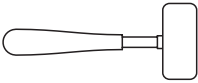
15 - SHELF x1

HARDWARE REQUIRED

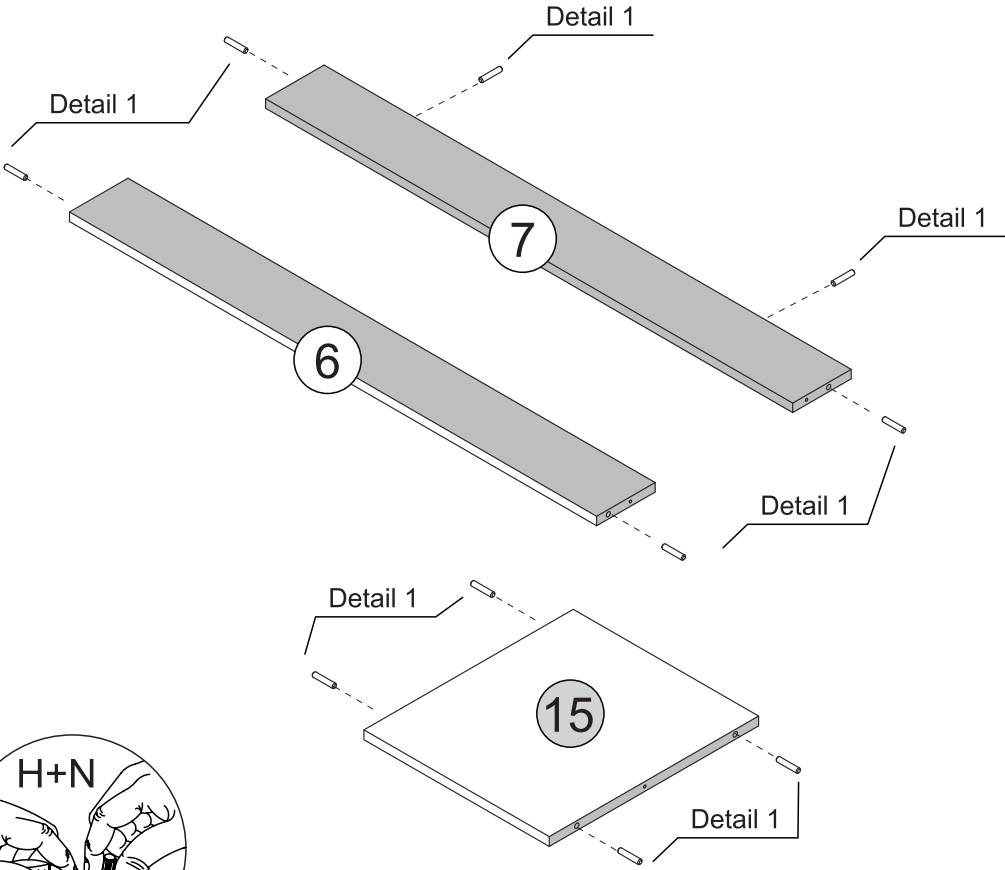
H  01

N  10
Ø6,0 x 30mm

TOOLS REQUIRED



Detail 1



STEP 8

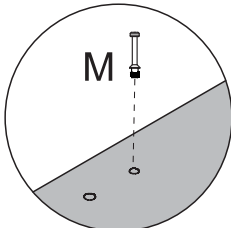
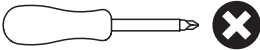
PARTS REQUIRED

9 - TOP PANEL x1

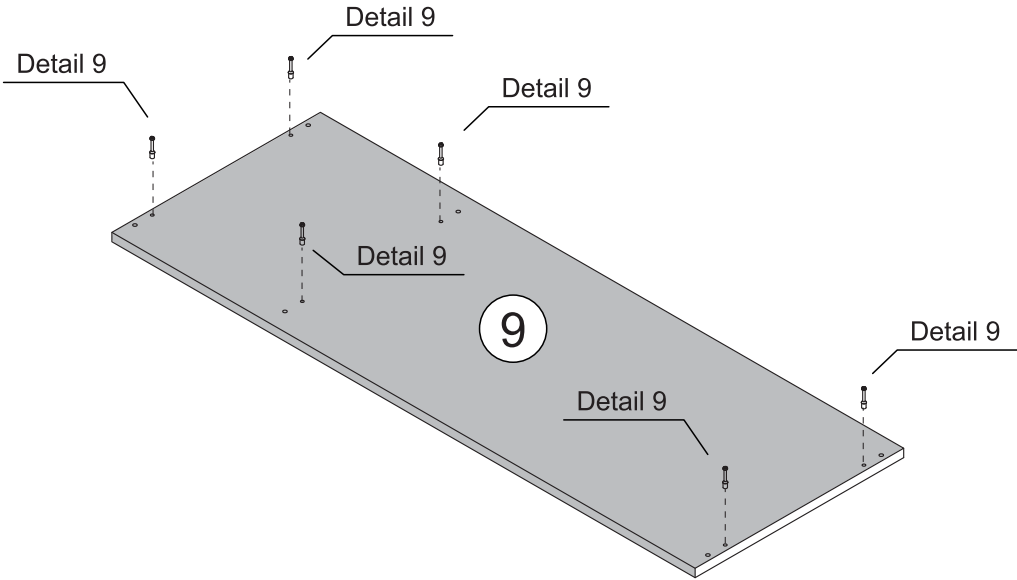
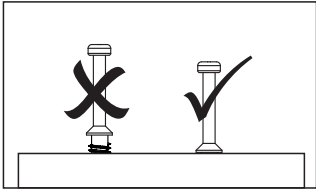
HARDWARE REQUIRED

M  06

TOOLS REQUIRED



Detail 9





STEP 9

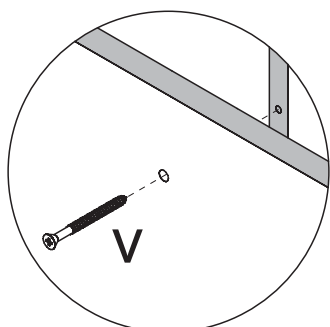
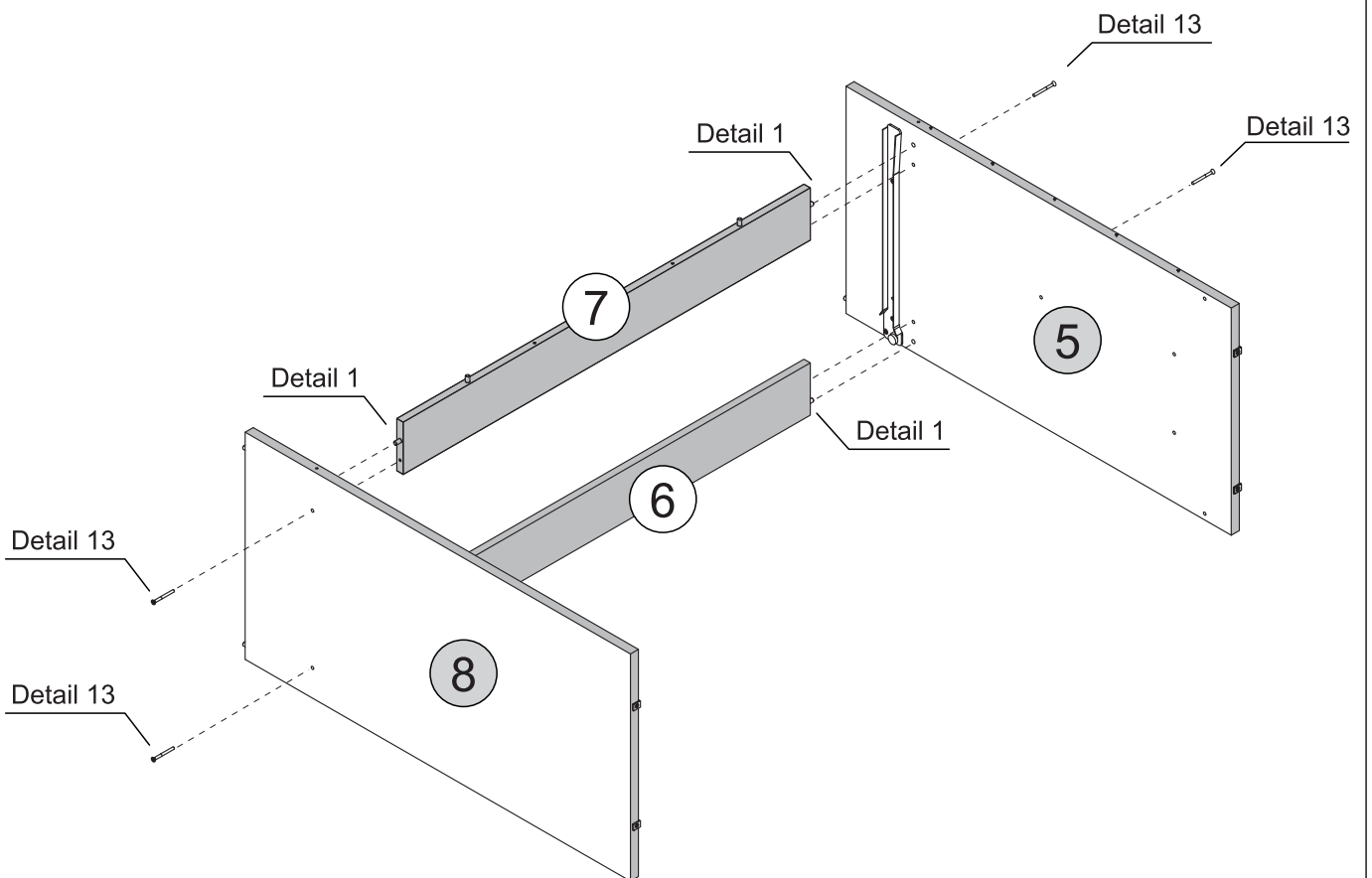
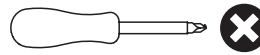
PARTS REQUIRED

5 - LEFT DIVISION PANEL	x1
6 - FRONT CROSSBAR	x1
7 - BACK CROSSBAR	x1
8 - RIGHT SIDE PANEL	x1

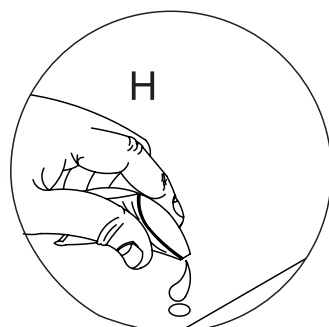
HARDWARE REQUIRED

V	 Ø4,0 x 45mm	04
H	 Glue	01

TOOLS REQUIRED



Detail 13



Detail 1


STEP 10

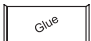
PARTS REQUIRED

4 - BASE PANEL x1

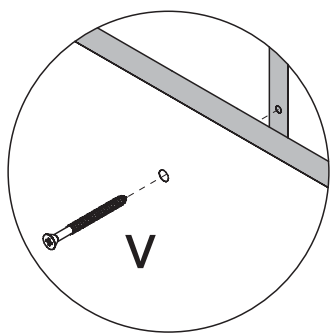
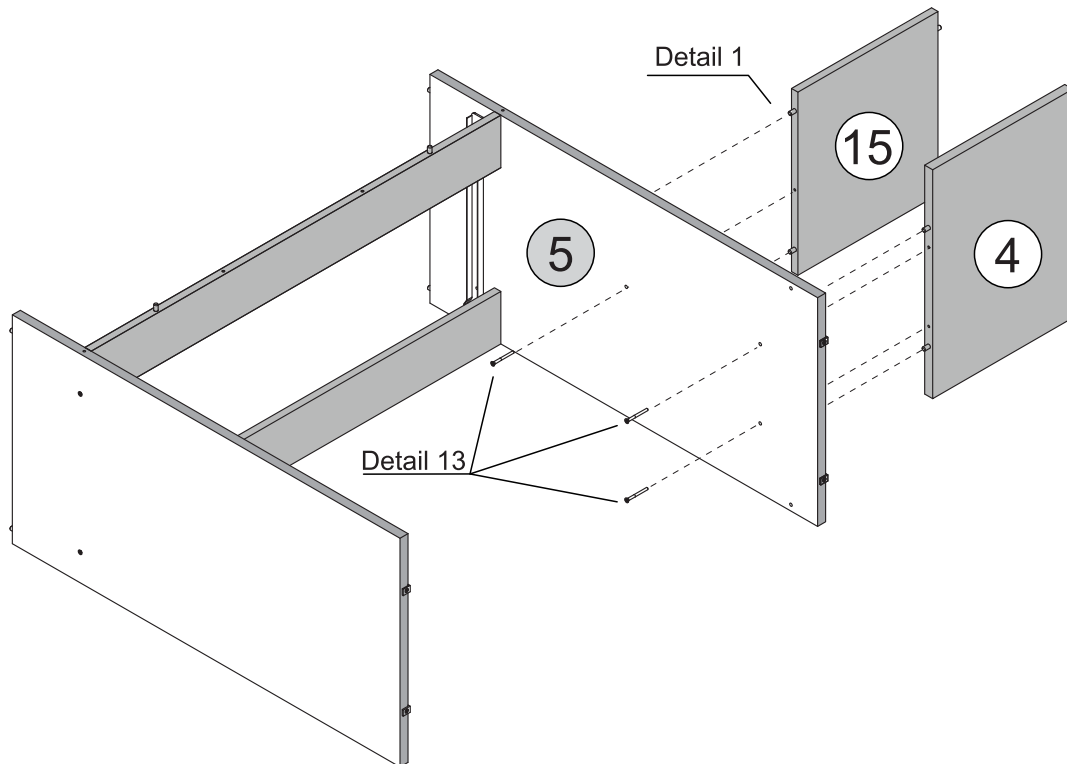
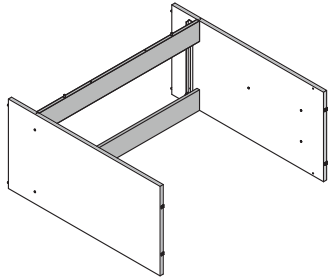
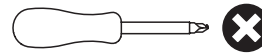
15 - SHELF x1

HARDWARE REQUIRED

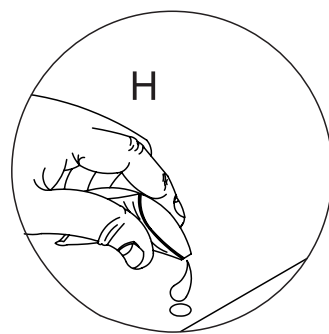
V  03
Ø4,0 x 45mm

H  01

TOOLS REQUIRED



Detail 13



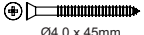
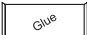
Detail 1

STEP 11

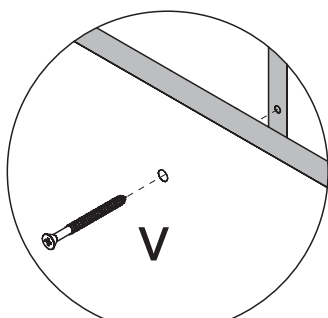
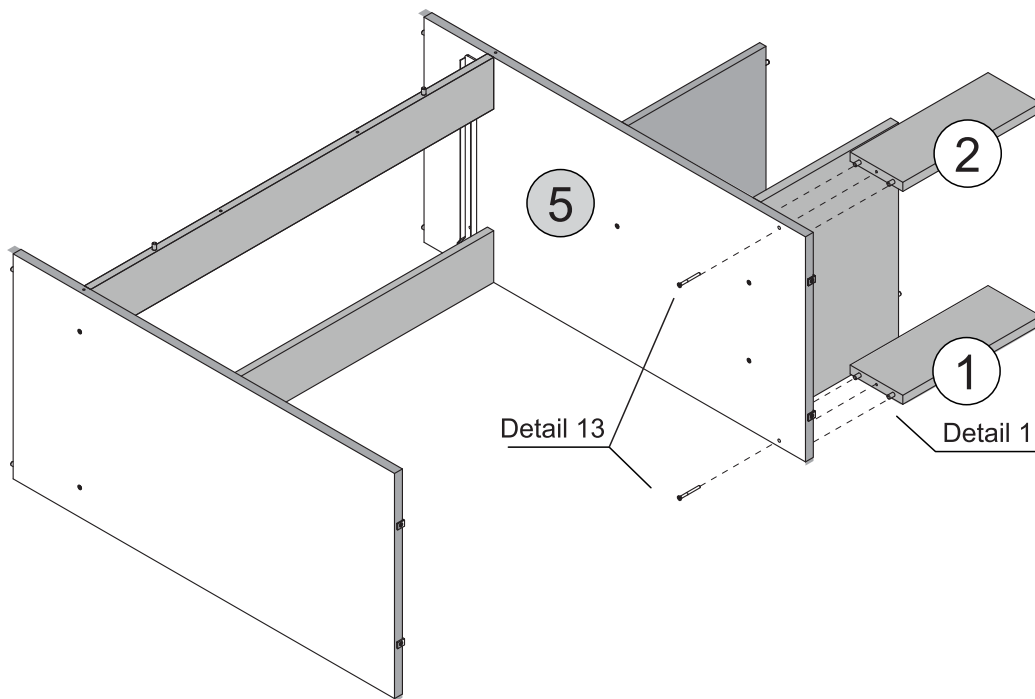
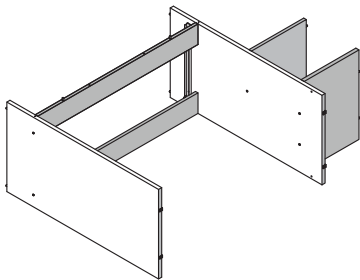
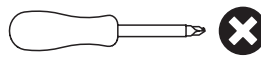
PARTS REQUIRED

- 1 - FRONT BASEBOARD x1
- 2 - BACK BASEBOARD x1

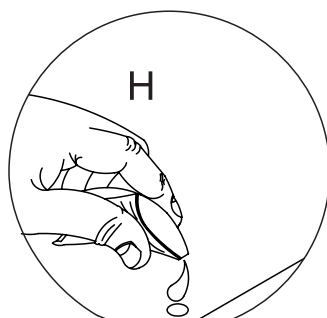
HARDWARE REQUIRED

- V  02
Ø4,0 x 45mm
- H  01

TOOLS REQUIRED



Detail 13

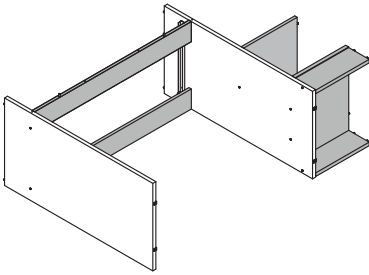


Detail 1


STEP 12


PARTS REQUIRED

3 - LEFT SIDE PANEL x1

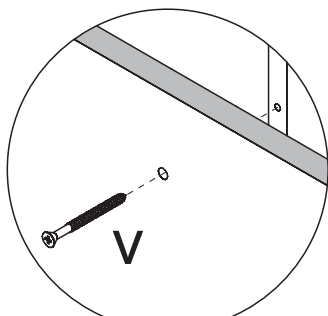
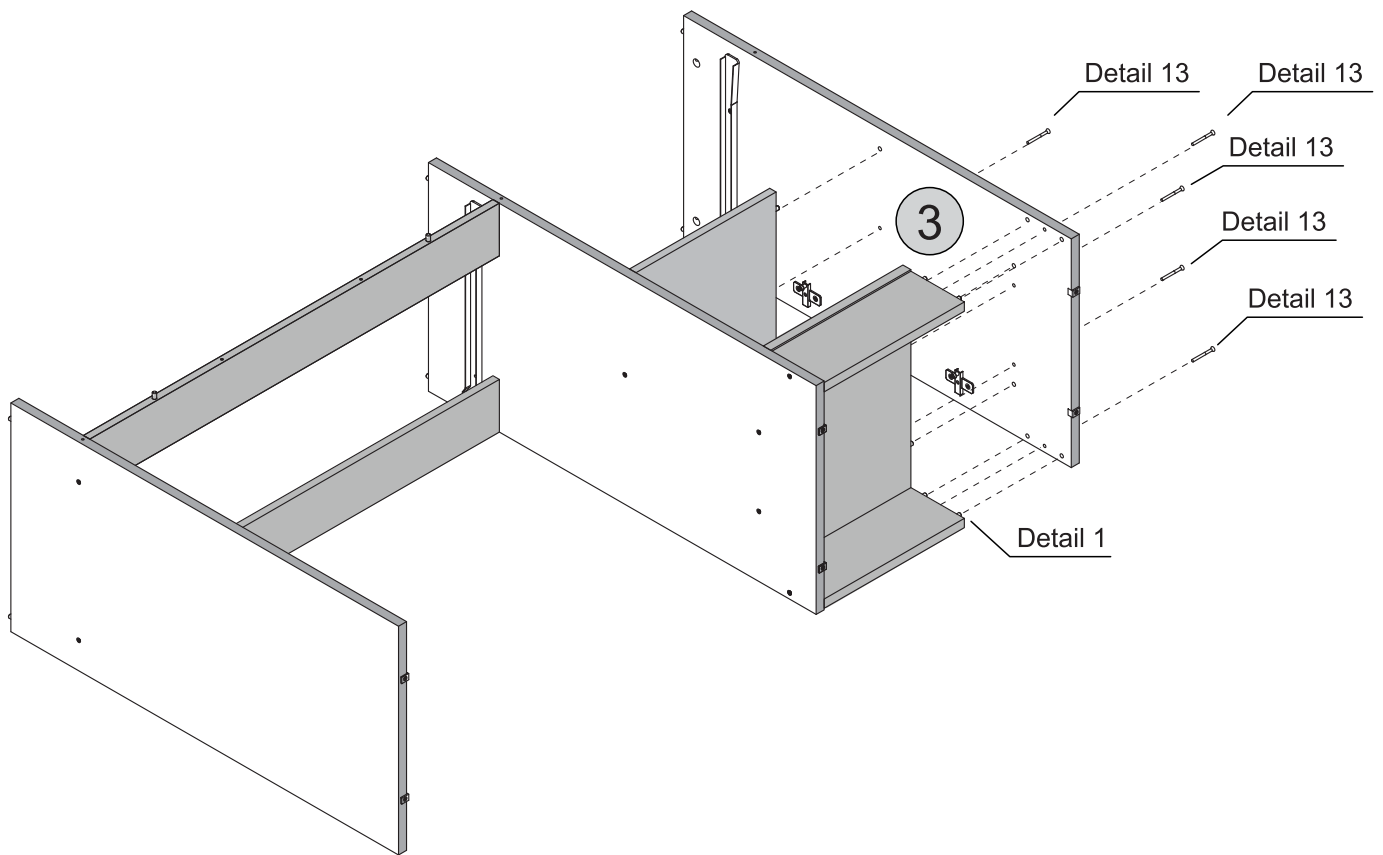
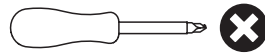


HARDWARE REQUIRED

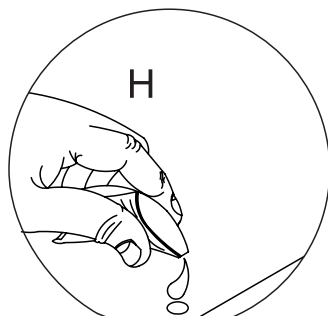
V  05
Ø4,0 x 45mm

H  01
Glue

TOOLS REQUIRED



Detail 13

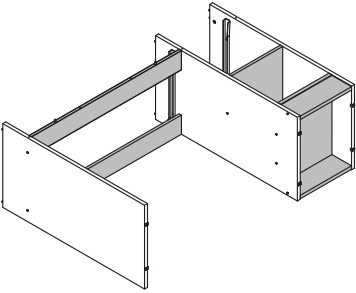


Detail 1

STEP 13

PARTS REQUIRED

9 -TOP PANEL x1

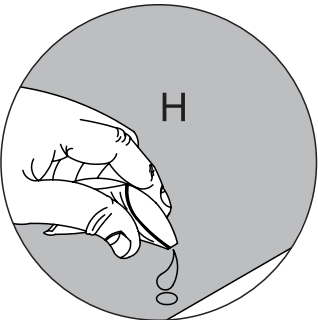
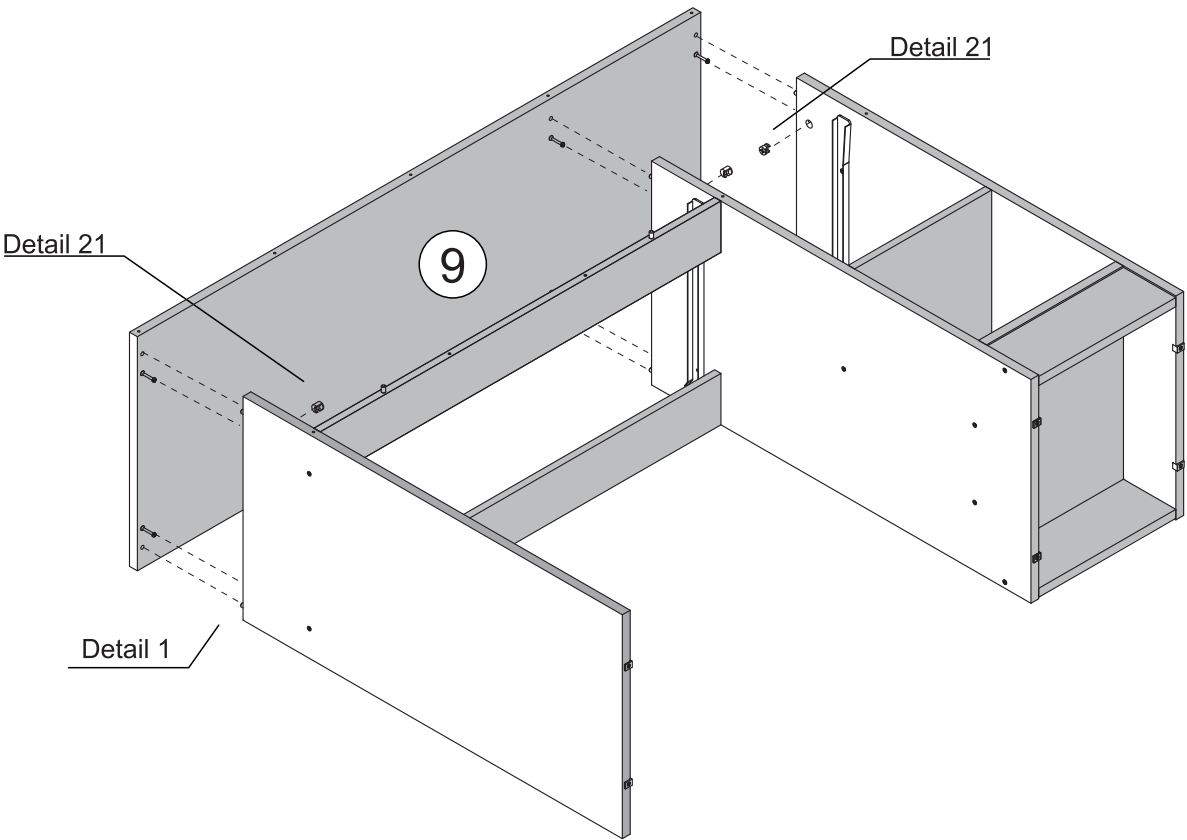
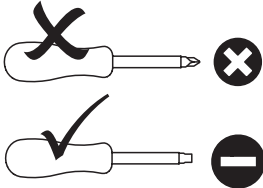


HARDWARE REQUIRED

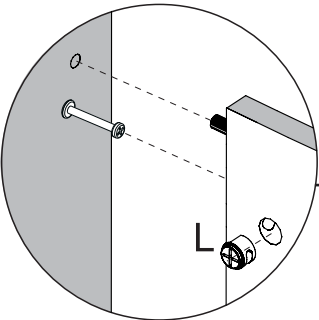
H  01

L  06

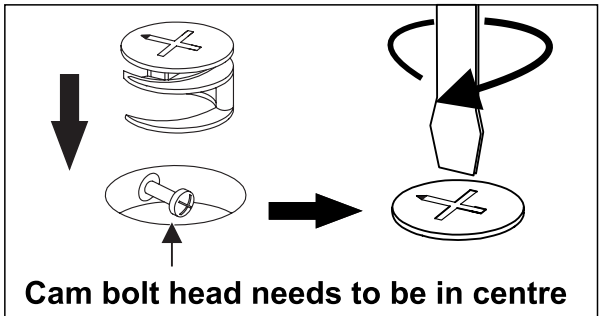
TOOLS REQUIRED



Detail 1



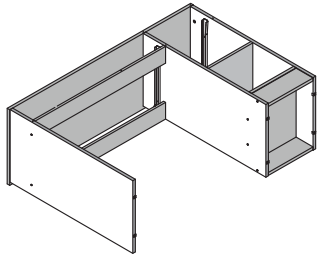
Detail 21



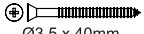
STEP 14

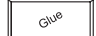
PARTS REQUIRED

10 - MIRROR PANEL x1

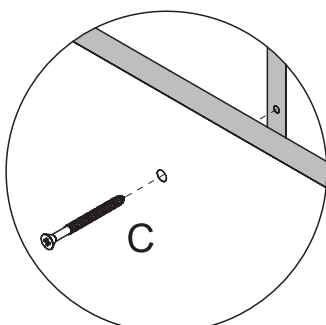
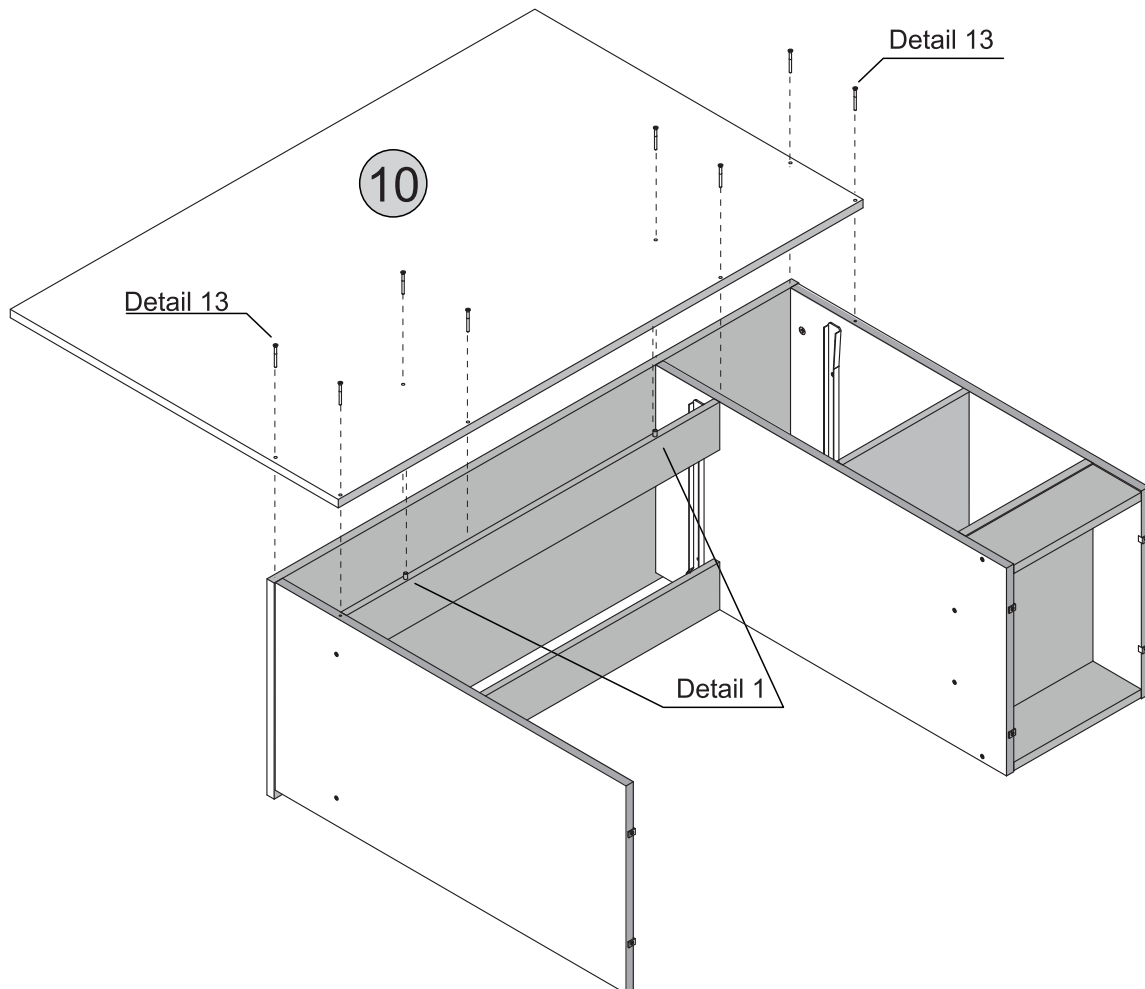
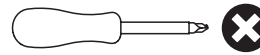


HARDWARE REQUIRED

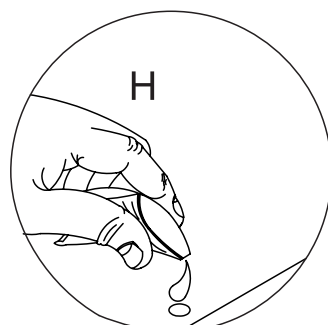
C  08
Ø3,5 x 40mm

H  01
Glue

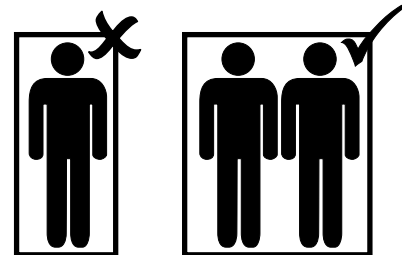
TOOLS REQUIRED



Detail 13



Detail 1



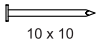
* You should assemble this product with two people

STEP 15

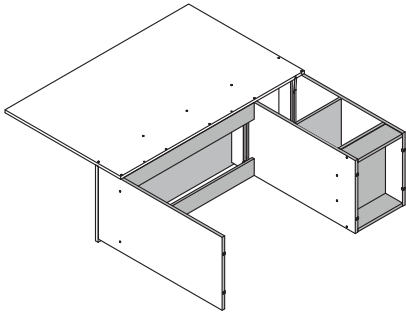
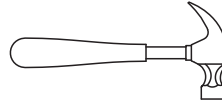
PARTS REQUIRED

11 - BACK PANEL x1

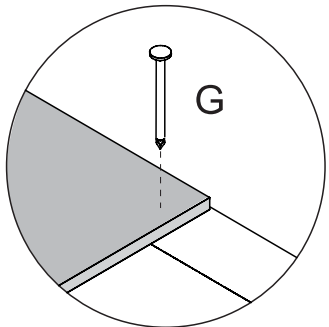
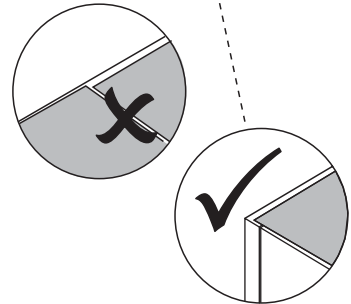
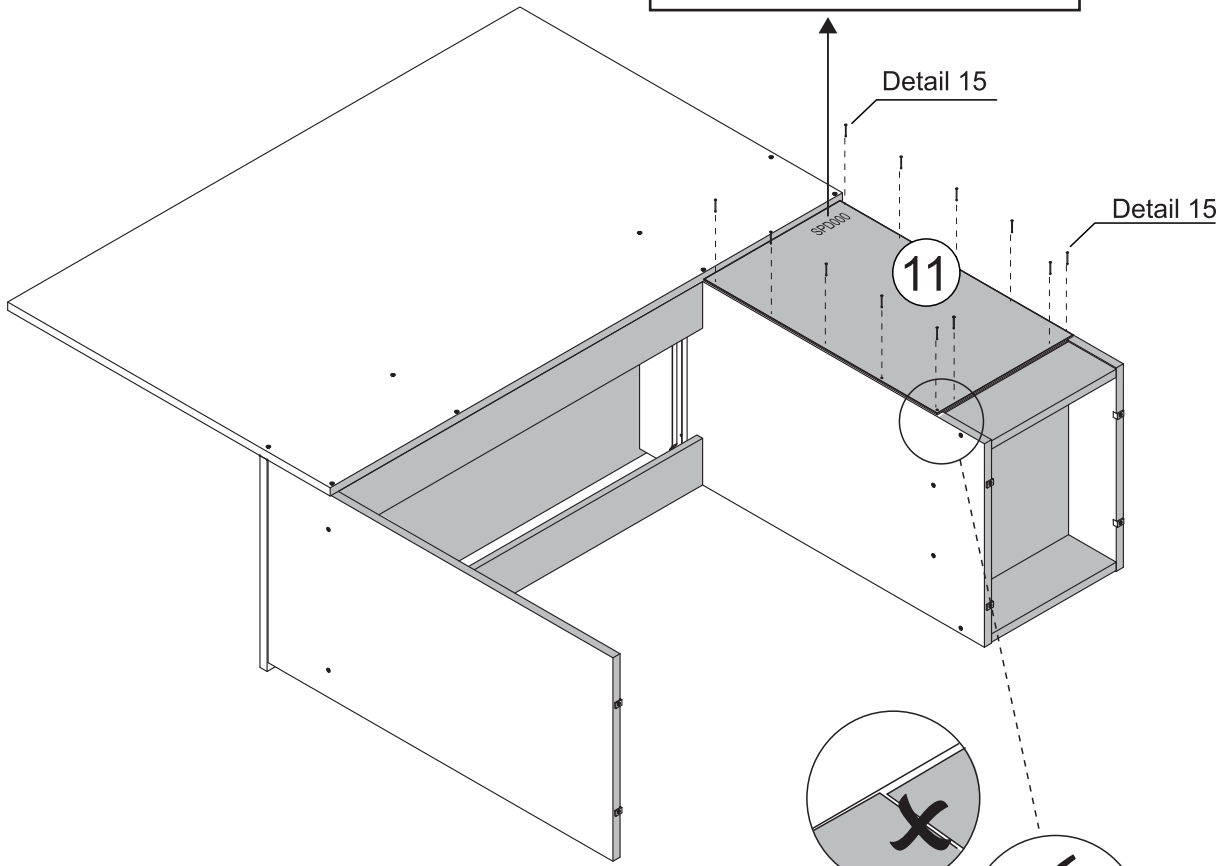
HARDWARE REQUIRED

G  12

TOOLS REQUIRED



* For your future reference Order Number should be here.



Detail 15

STEP 16


PARTS REQUIRED

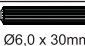
16 - DRAWER SIDE x2

17 - LARGE DRAWER BACK PANEL x1

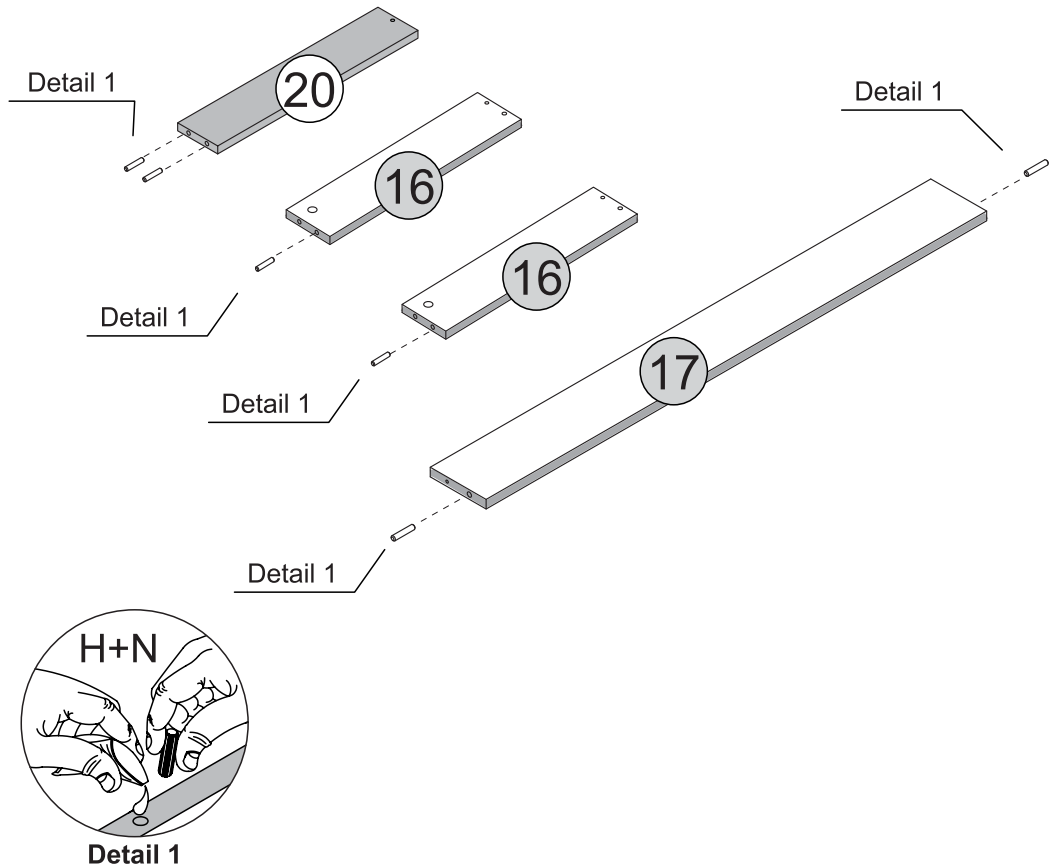
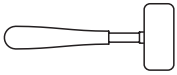
20 - DRAWER BOTTOM SUPPORT BAR x1

HARDWARE REQUIRED

H  01

N  Ø6,0 x 30mm 06

TOOLS REQUIRED

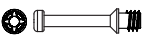


STEP 17

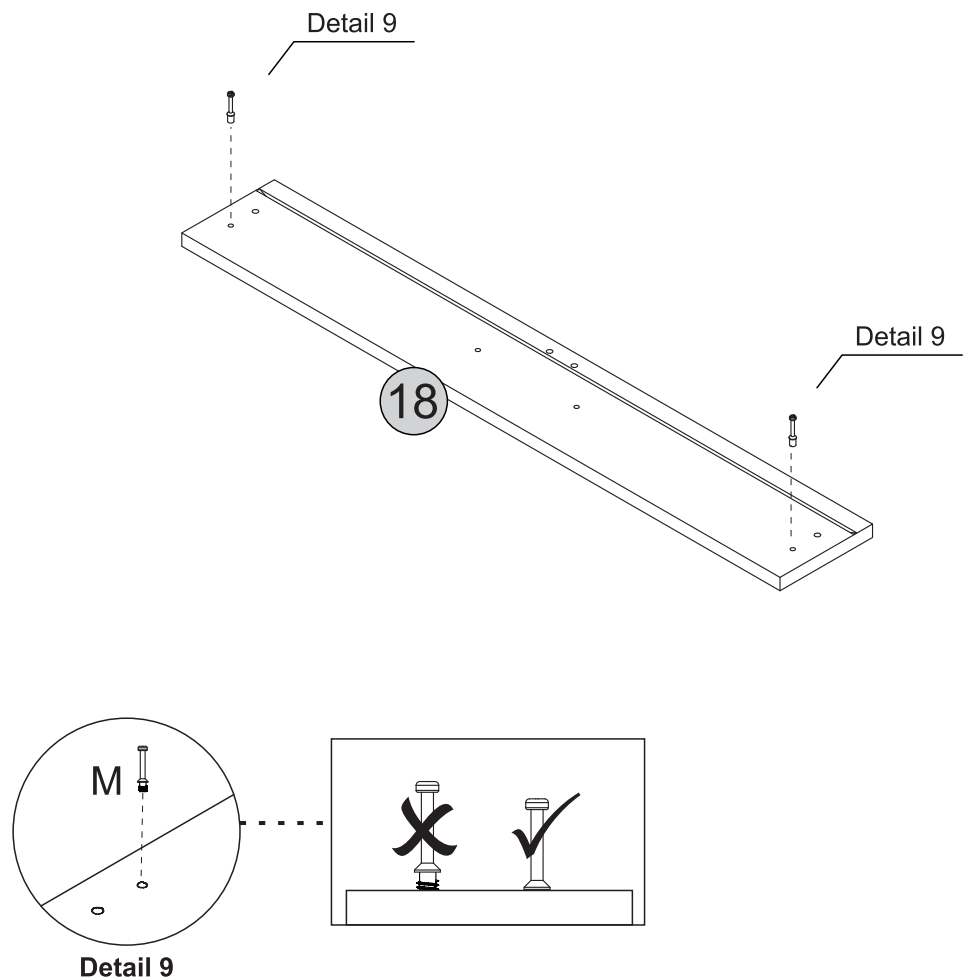
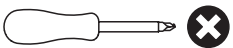
PARTS REQUIRED

18 - LARGE DRAWER FRONT x1

HARDWARE REQUIRED

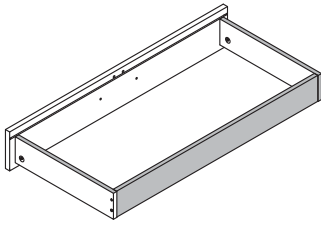
M  02

TOOLS REQUIRED

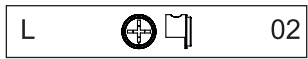


STEP 20

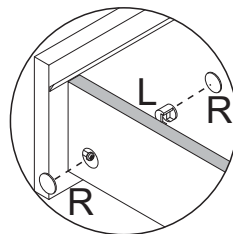
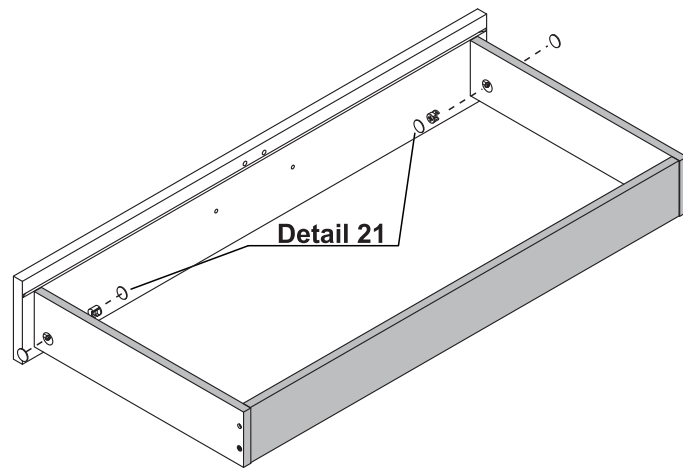
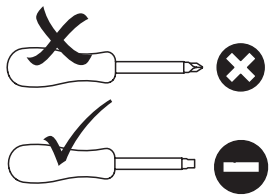
PARTS REQUIRED



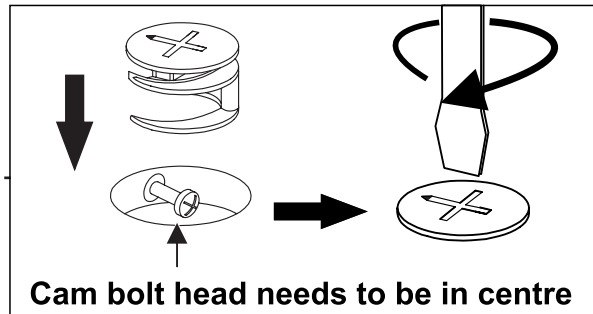
HARDWARE REQUIRED



TOOLS REQUIRED



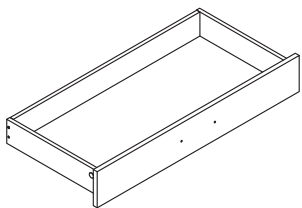
Detail 21



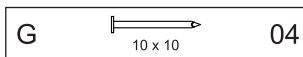
STEP 21

PARTS REQUIRED

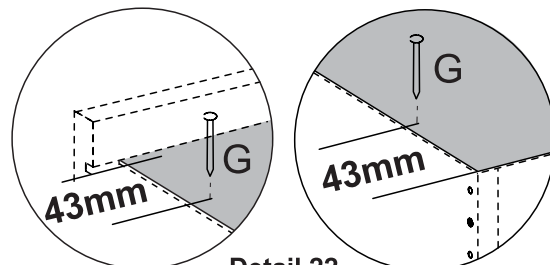
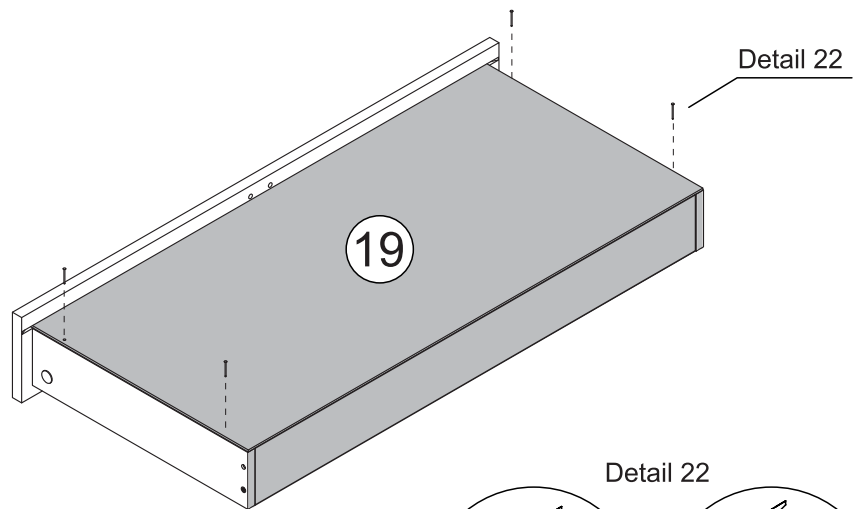
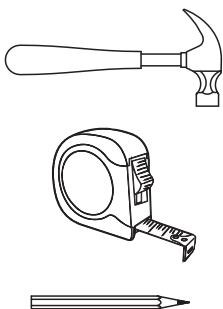
19 - LARGE DRAWER BOTTOM x1



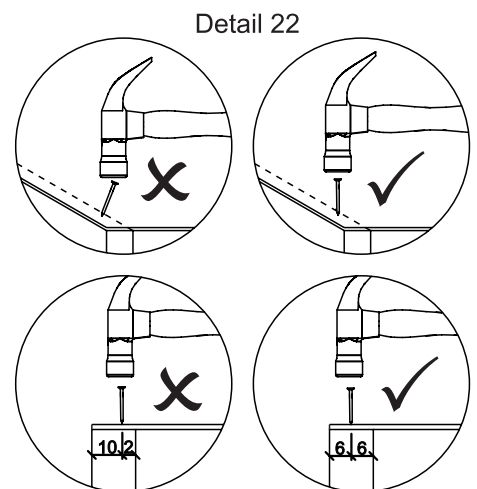
HARDWARE REQUIRED



TOOLS REQUIRED



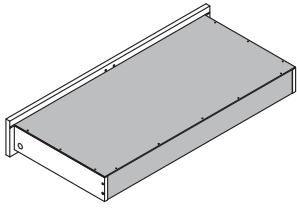
Detail 22



STEP 22

PARTS REQUIRED

20 - DRAWER BOTTOM SUPPORT BAR x1

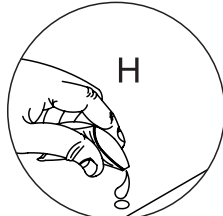
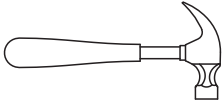


HARDWARE REQUIRED

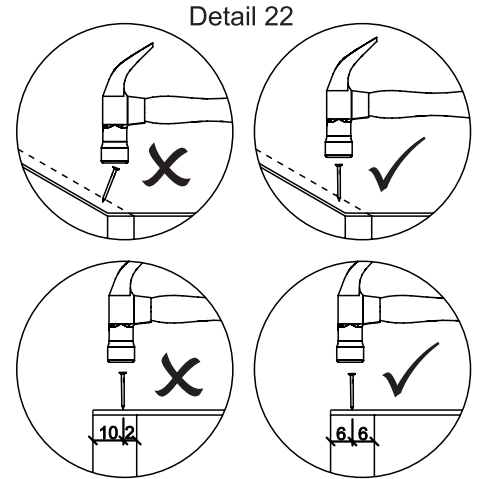
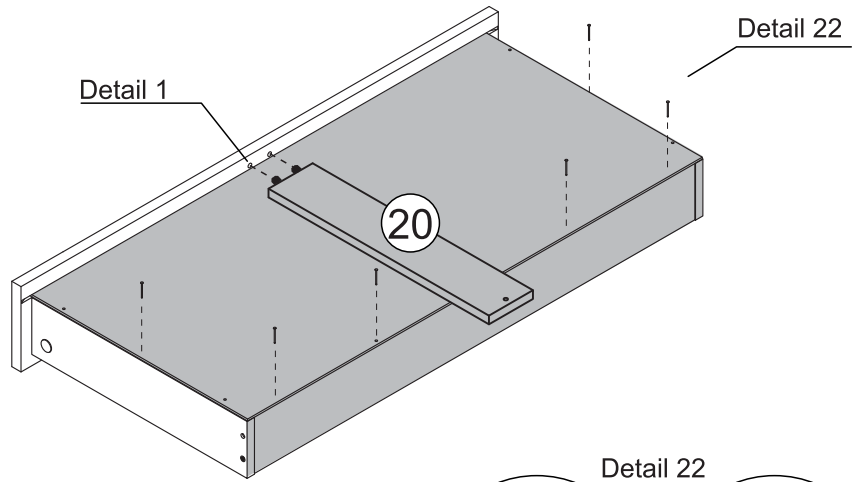
G 06

H 01

TOOLS REQUIRED

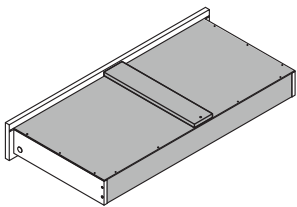


Detail 1



STEP 23

PARTS REQUIRED



HARDWARE REQUIRED

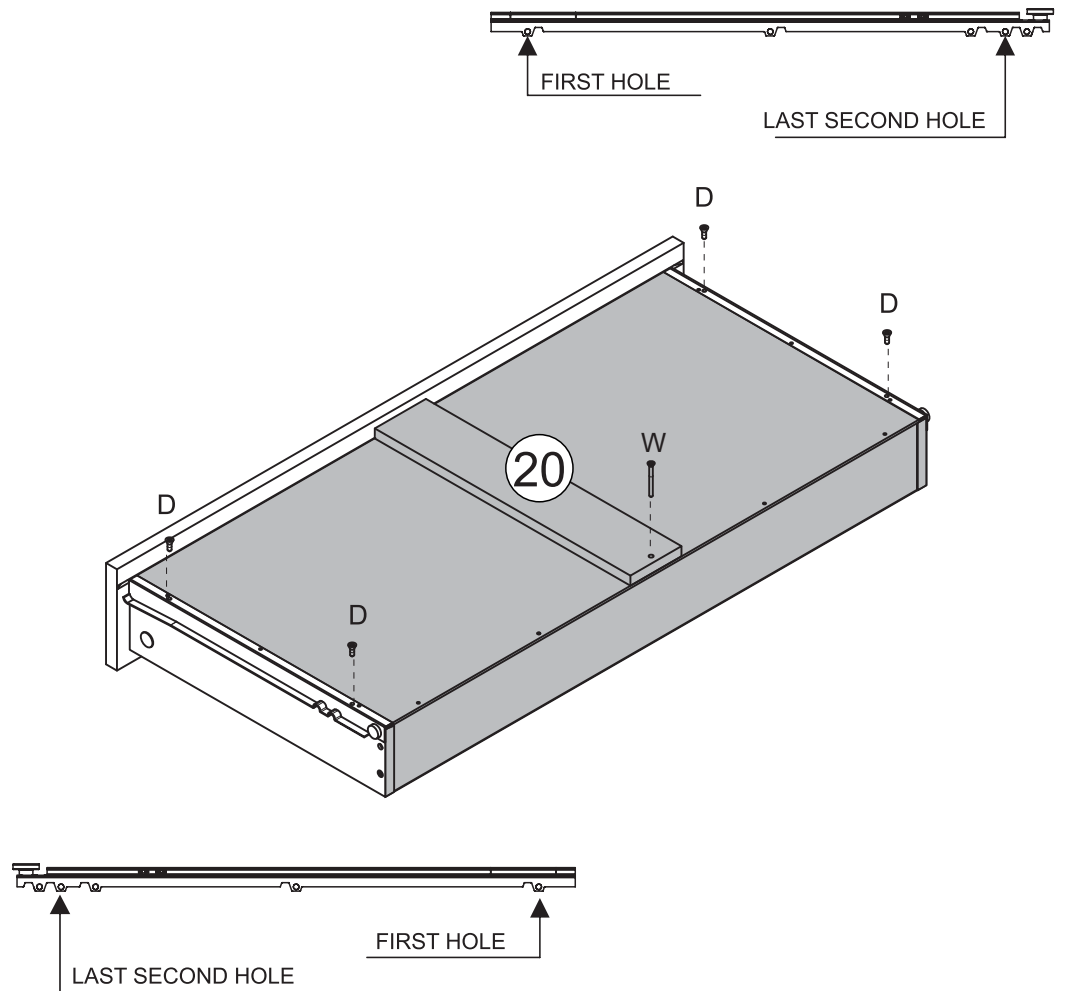
D 04

I 01

I 01

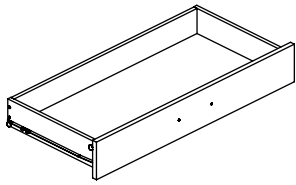
W 01

TOOLS REQUIRED

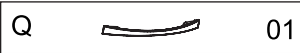
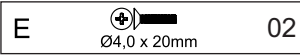


STEP 24

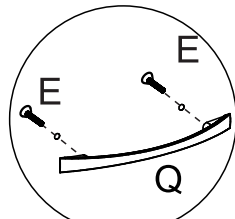
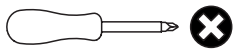
PARTS REQUIRED



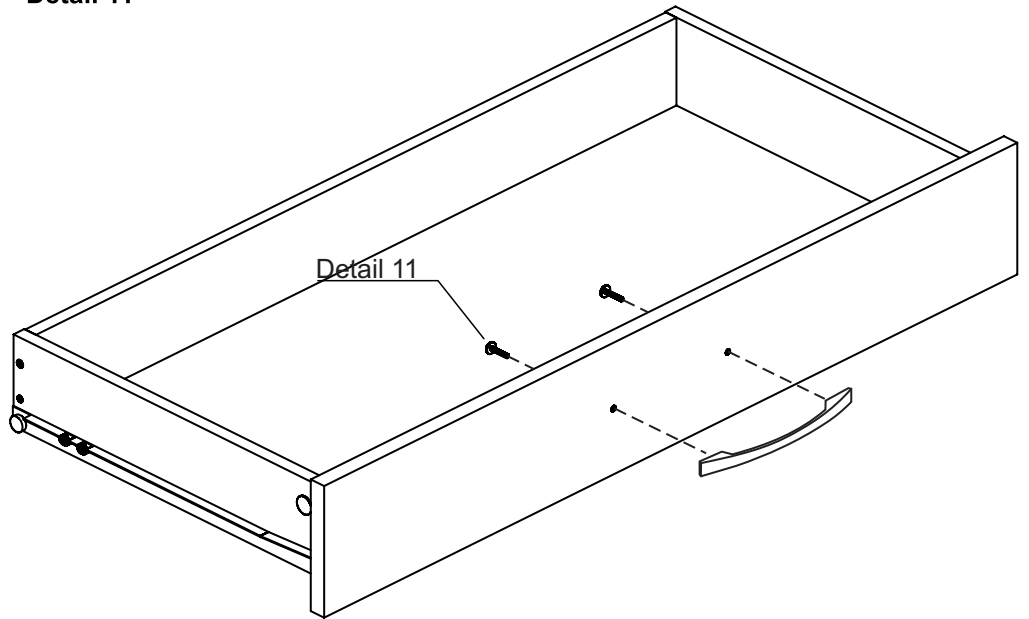
HARDWARE REQUIRED



TOOLS REQUIRED



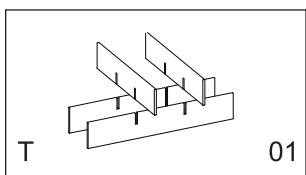
Detail 11



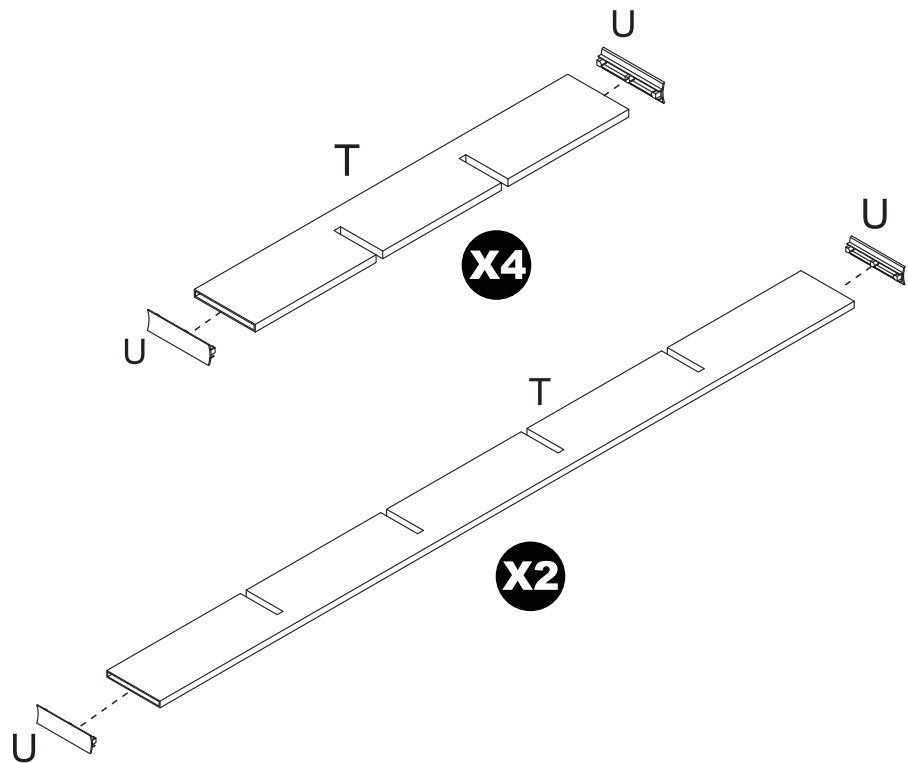
STEP 25

PARTS REQUIRED

HARDWARE REQUIRED



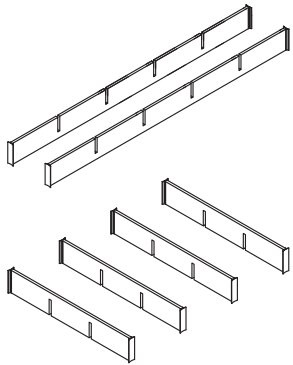
TOOLS REQUIRED



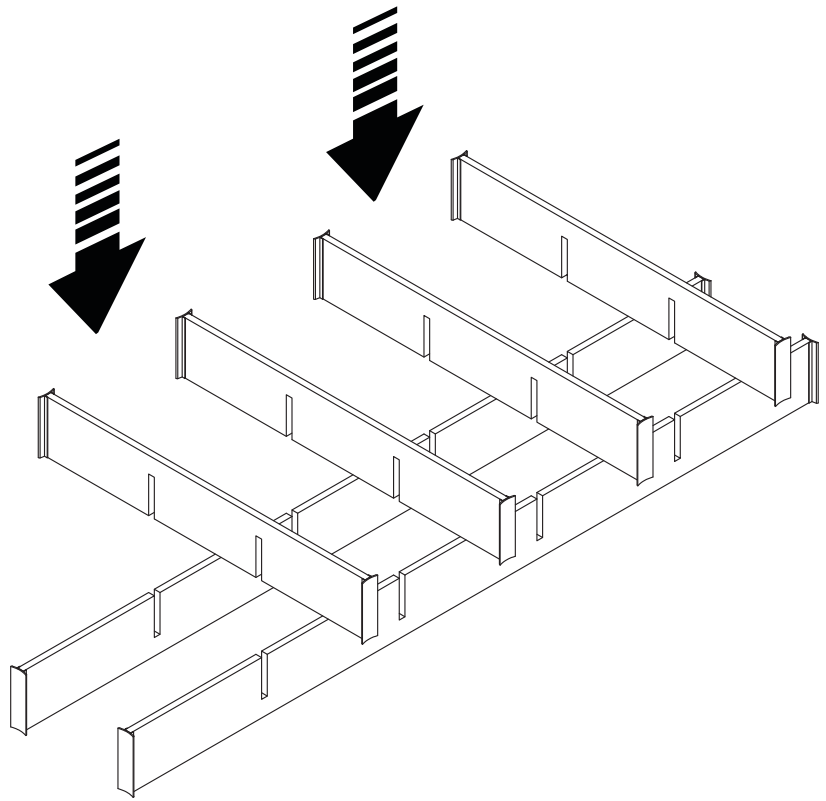
STEP 26

PARTS REQUIRED

HARDWARE REQUIRED

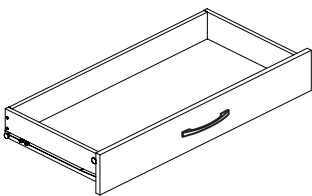


TOOLS REQUIRED

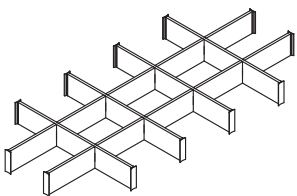


STEP 27

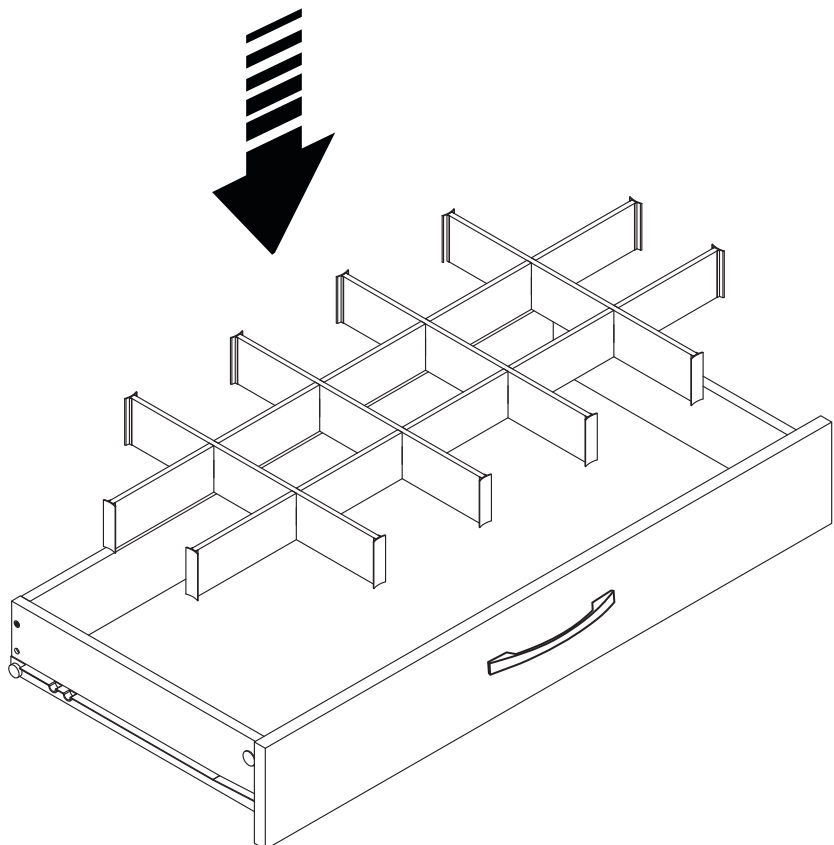
PARTS REQUIRED



HARDWARE REQUIRED



TOOLS REQUIRED


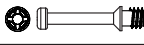
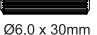


STEP 28

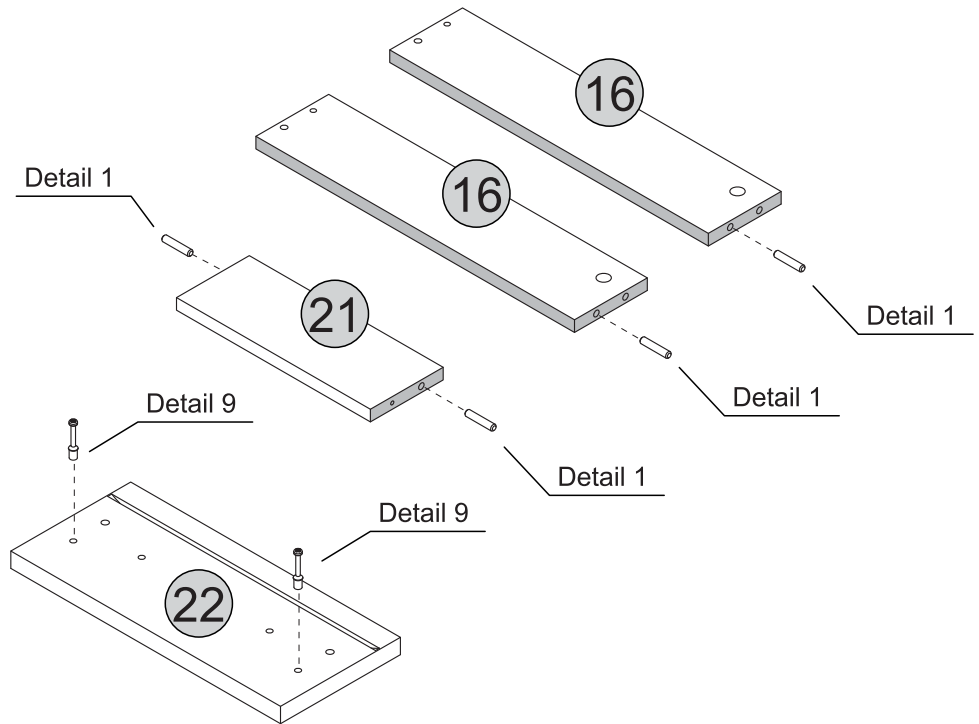
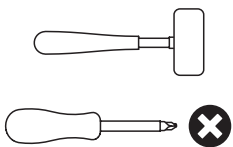
PARTS REQUIRED

- 16 - DRAWER SIDE x2
- 21 - SMALL DRAWER BACK PANEL x1
- 22 - SMALL DRAWER FRONT x1

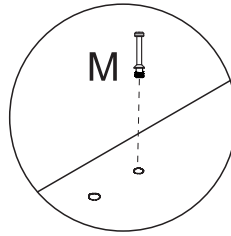
HARDWARE REQUIRED

- H  01
- M  02
- N  Ø6,0 x 30mm 04

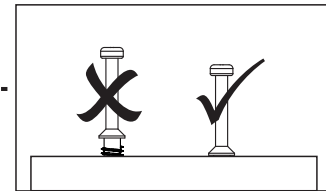
TOOLS REQUIRED



Detail 1



Detail 9

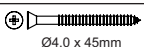
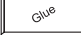


STEP 29

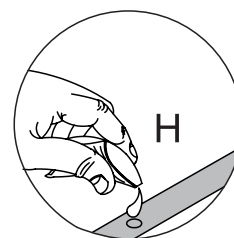
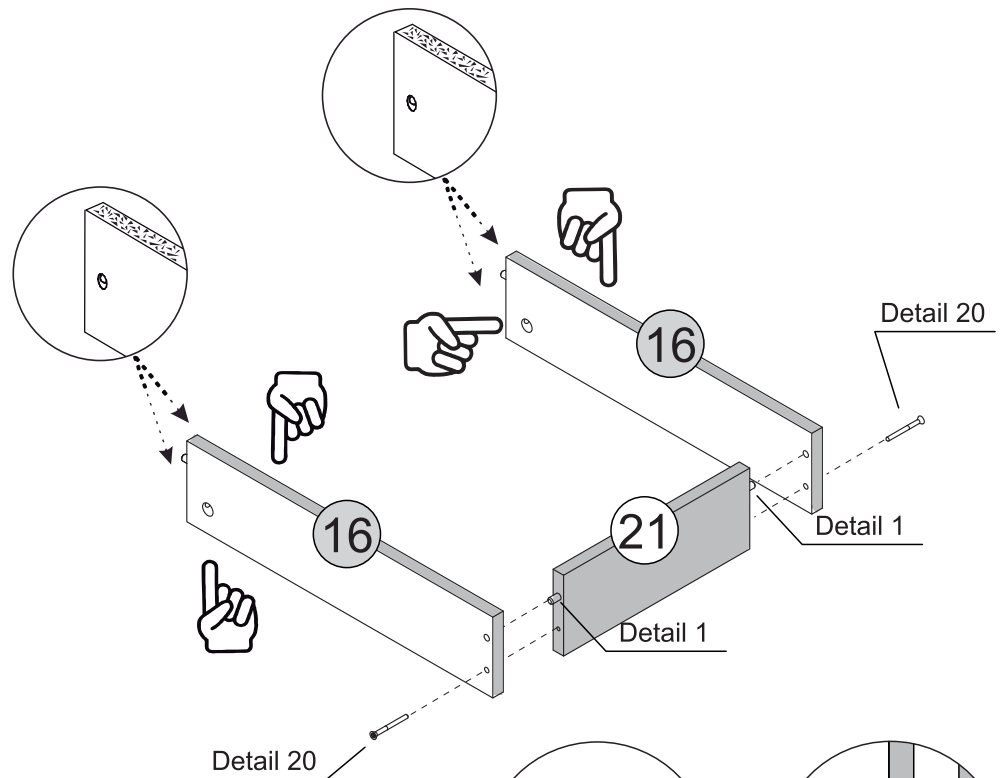
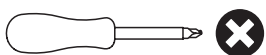
PARTS REQUIRED

- 16 - DRAWER SIDE x2
- 21 - SMALL DRAWER BACK PANEL x1

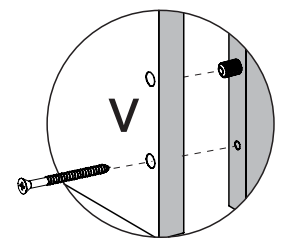
HARDWARE REQUIRED

- V  Ø4,0 x 45mm 02
- H  01

TOOLS REQUIRED



Detail 1

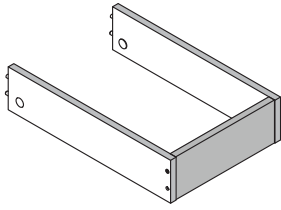


Detail 20

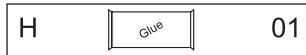
STEP 30

PARTS REQUIRED

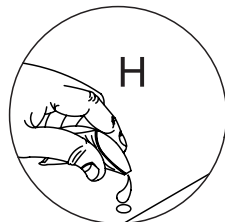
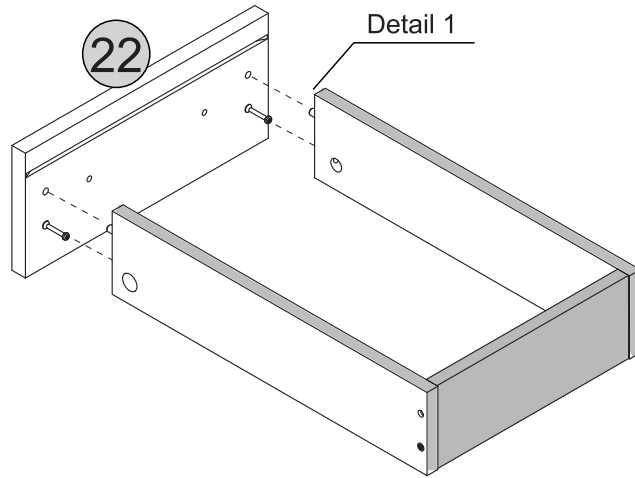
22 - SMALL DRAWER FRONT x1



HARDWARE REQUIRED



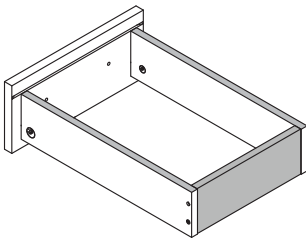
TOOLS REQUIRED



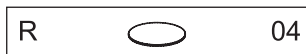
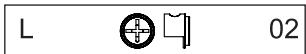
Detail 1

STEP 31

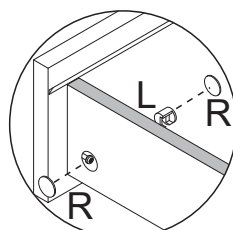
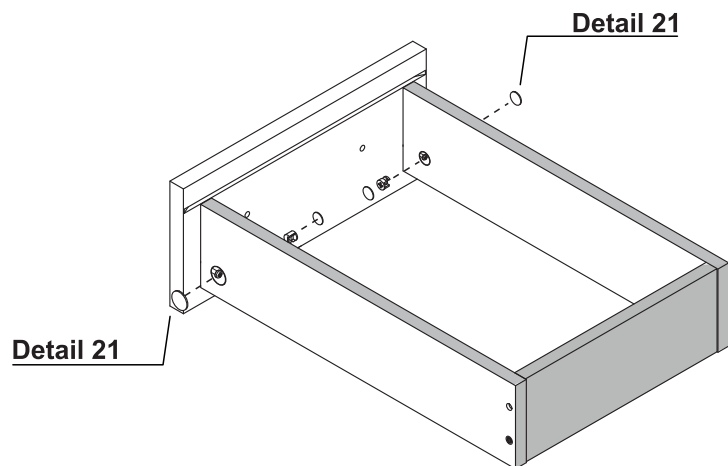
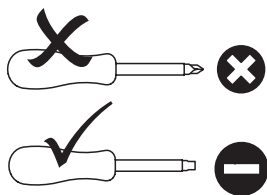
PARTS REQUIRED



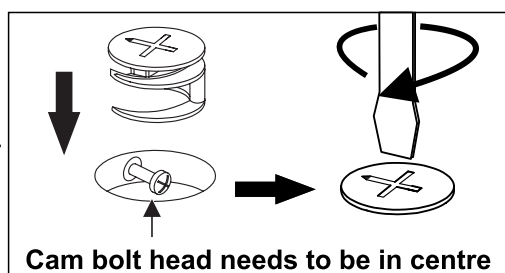
HARDWARE REQUIRED



TOOLS REQUIRED



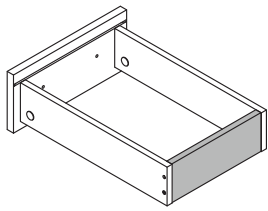
Detail 21



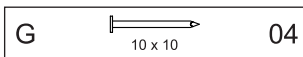
STEP 32

PARTS REQUIRED

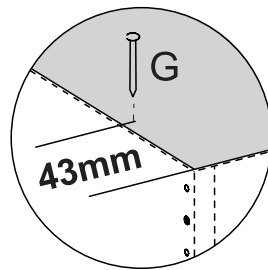
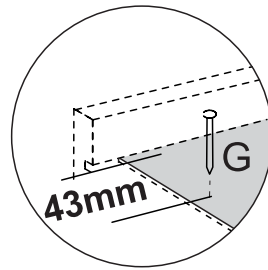
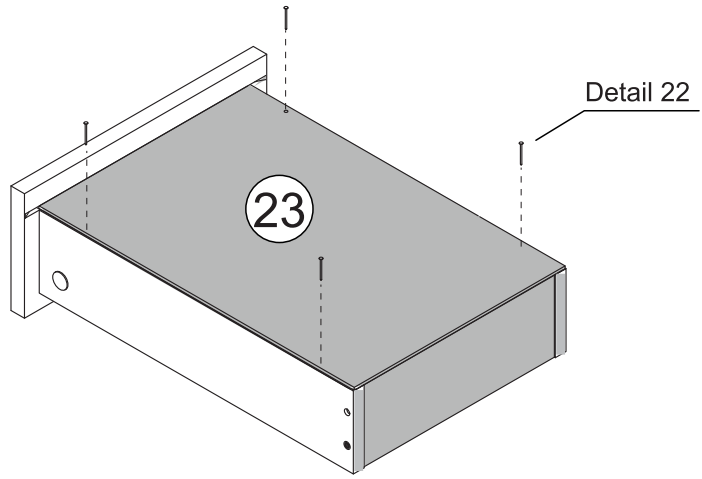
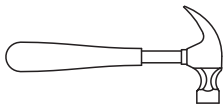
23 - SMALL DRAWER BOTTOM x1



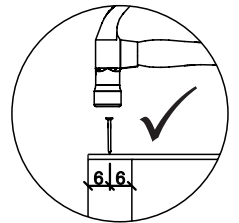
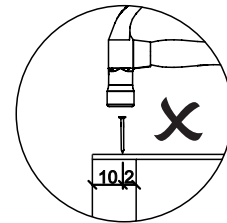
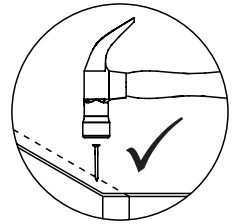
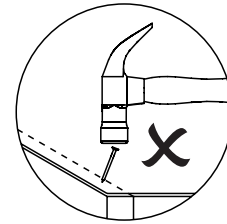
HARDWARE REQUIRED



TOOLS REQUIRED

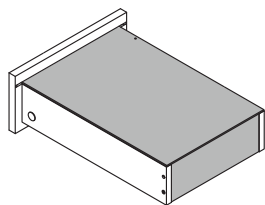


Detail 22

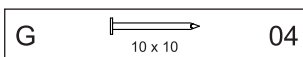


STEP 33

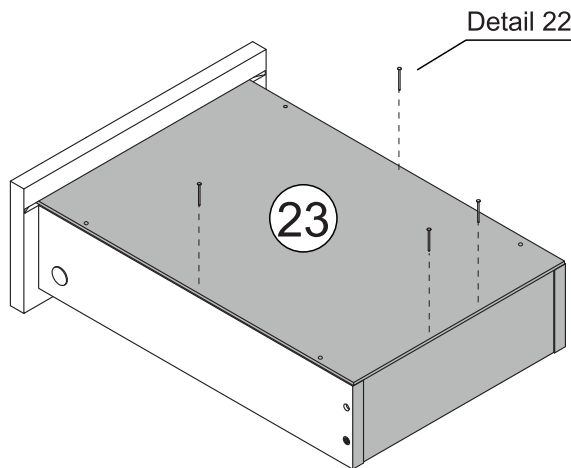
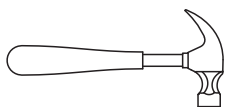
PARTS REQUIRED



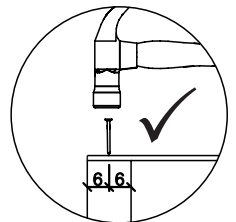
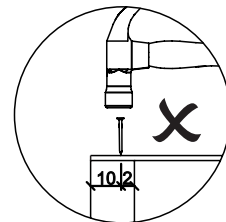
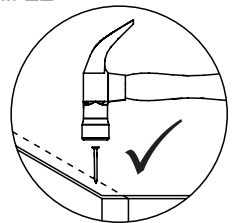
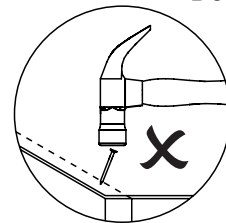
HARDWARE REQUIRED



TOOLS REQUIRED

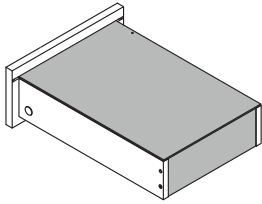


Detail 22

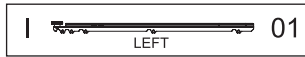
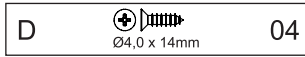


STEP 34

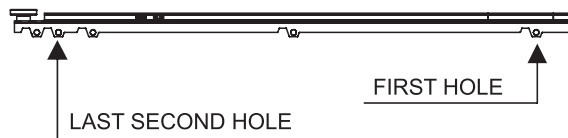
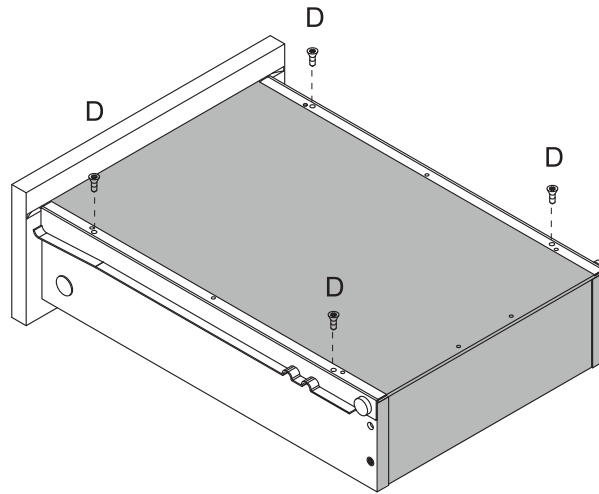
PARTS REQUIRED



HARDWARE REQUIRED



TOOLS REQUIRED

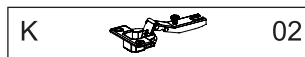
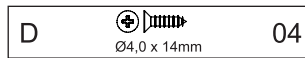


STEP 35

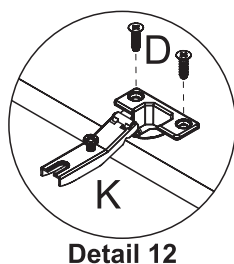
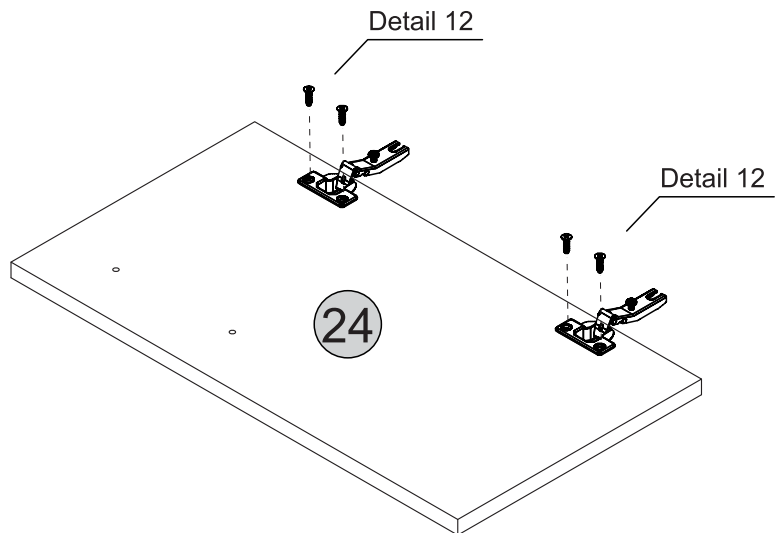
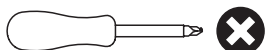
PARTS REQUIRED



HARDWARE REQUIRED



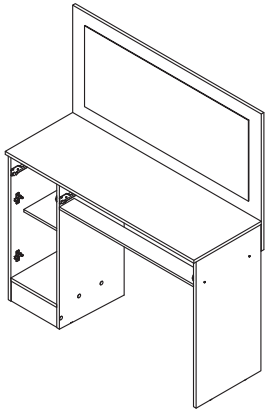
TOOLS REQUIRED



STEP 36

PARTS REQUIRED

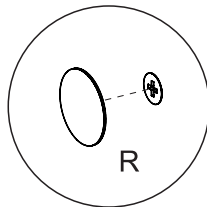
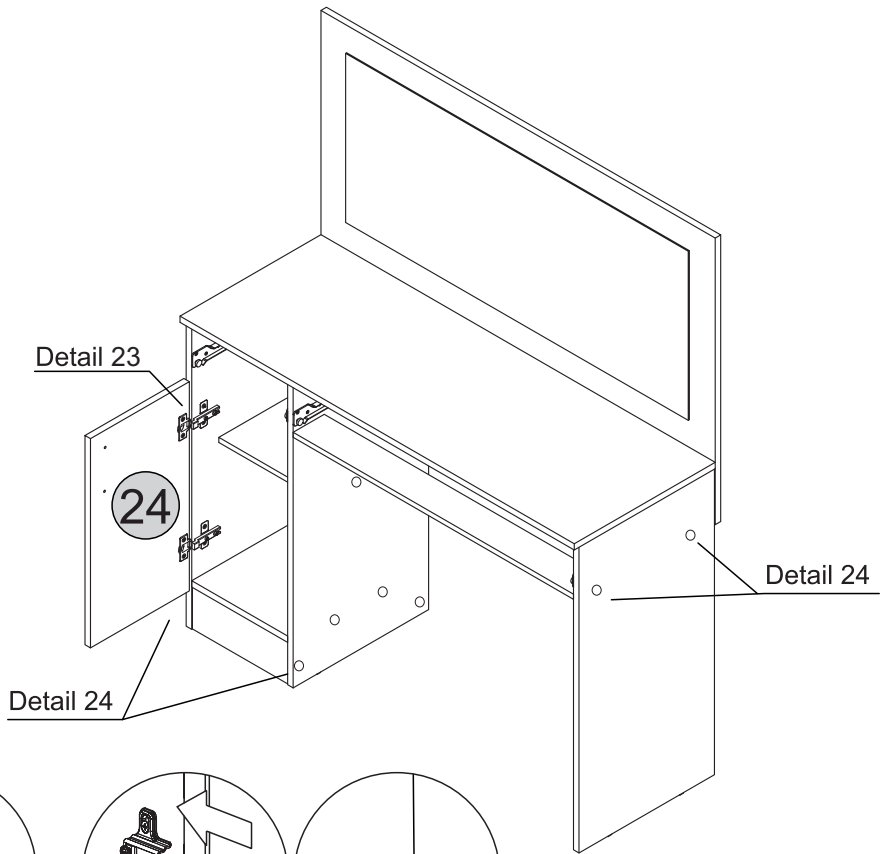
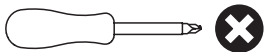
24 - DOOR x1



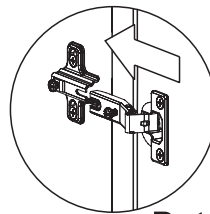
HARDWARE REQUIRED

R  12

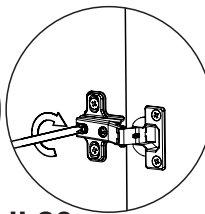
TOOLS REQUIRED



Detail 24



Detail 23

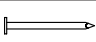


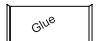
STEP 37

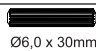
PARTS REQUIRED

12 - STOOL SIDE PANEL x2

HARDWARE REQUIRED

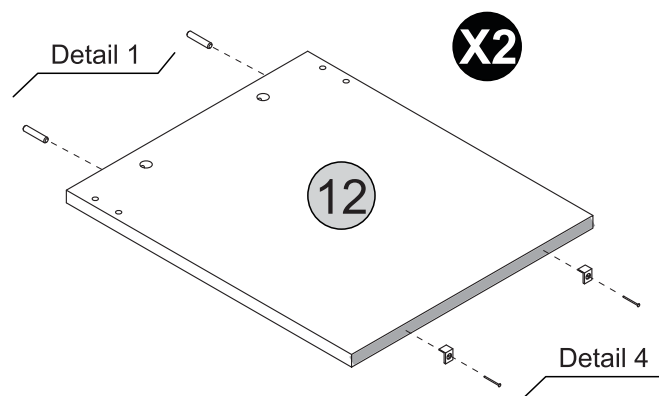
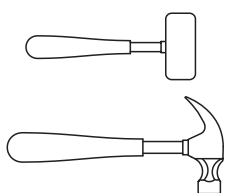
G  04

H  01

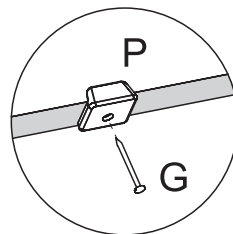
N  04
Ø6,0 x 30mm

P  04

TOOLS REQUIRED



Detail 1



Detail 4

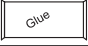
STEP 38

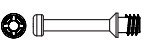
PARTS REQUIRED


13 - STOOL CROSSPIECE x2

14 - STOOL SEAT x1

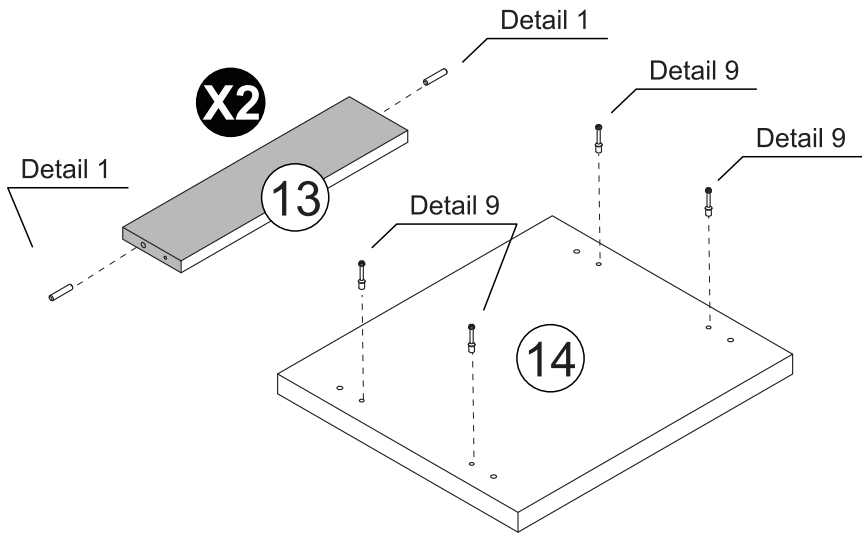
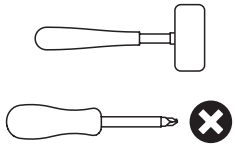
HARDWARE REQUIRED

H  01

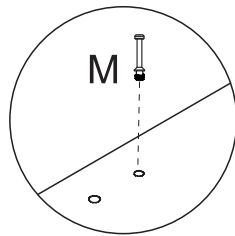
M  04

N  04
Ø6,0 x 30mm

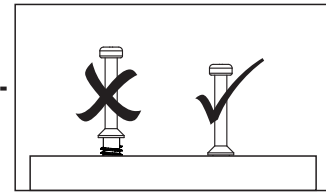
TOOLS REQUIRED



Detail 1



Detail 9




STEP 39


PARTS REQUIRED

12 - STOOL SIDE PANEL x2

13 - STOOL CROSSPIECE x2

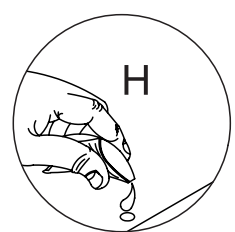
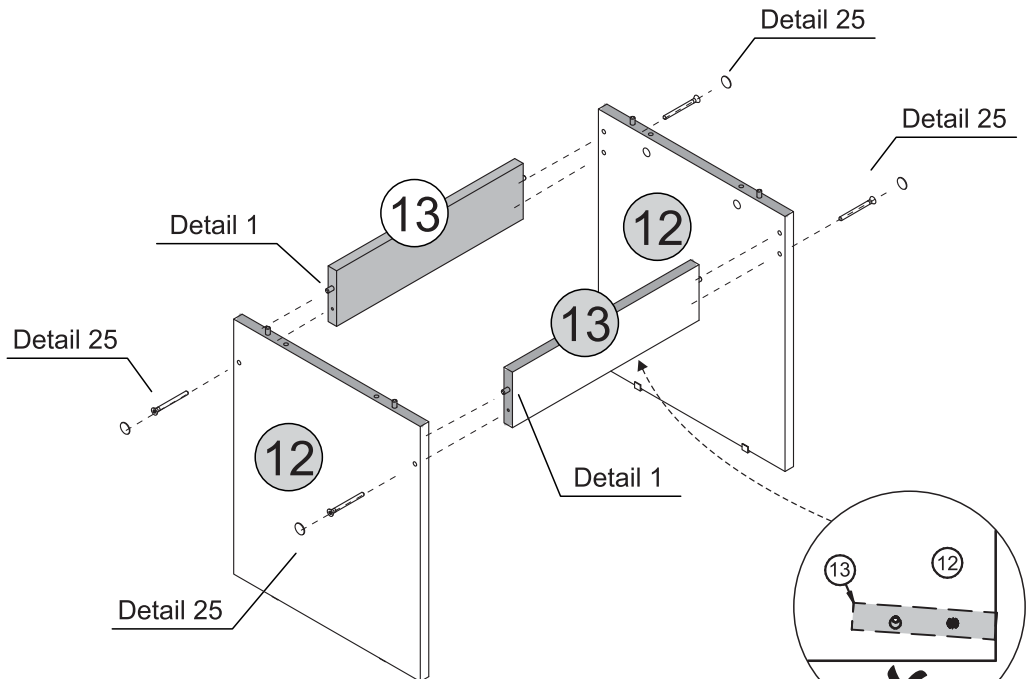
HARDWARE REQUIRED

B  04
Ø4,0 x 50mm

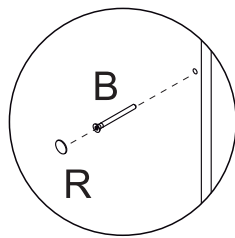
H  01

R  04

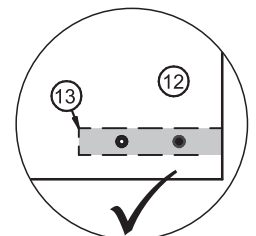
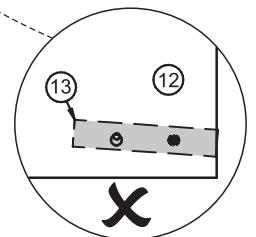
TOOLS REQUIRED



Detail 1



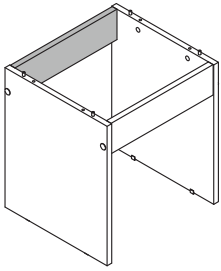
Detail 25



STEP 40

PARTS REQUIRED

14 - STOOL SEAT x1

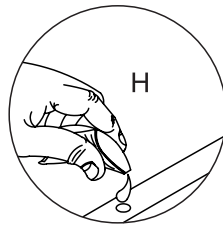
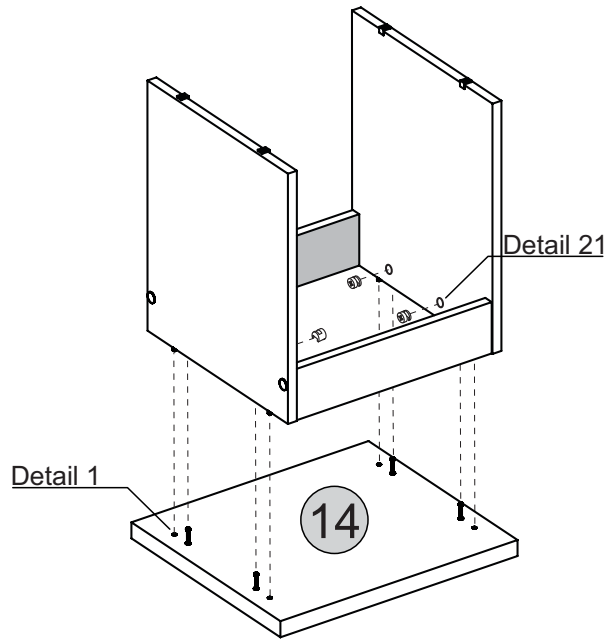
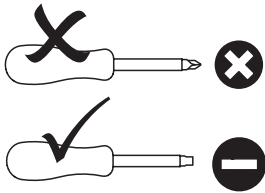


HARDWARE REQUIRED

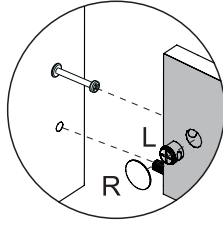
H 01

L 04

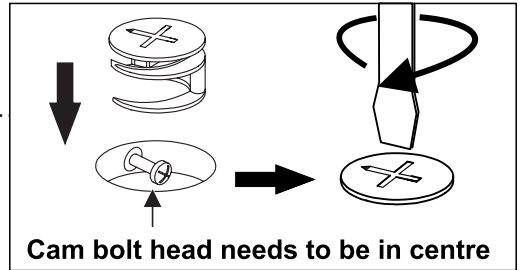
TOOLS REQUIRED



Detail 1



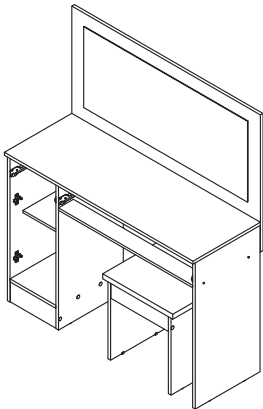
Detail 21



Cam bolt head needs to be in centre

STEP 41

PARTS REQUIRED

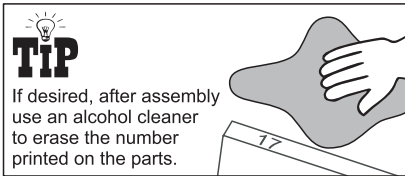
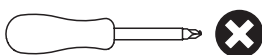


HARDWARE REQUIRED

E 04
Ø4,0 x 20mm

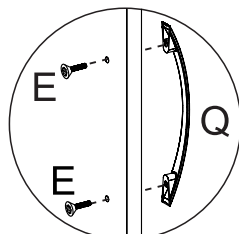
Q 02

TOOLS REQUIRED

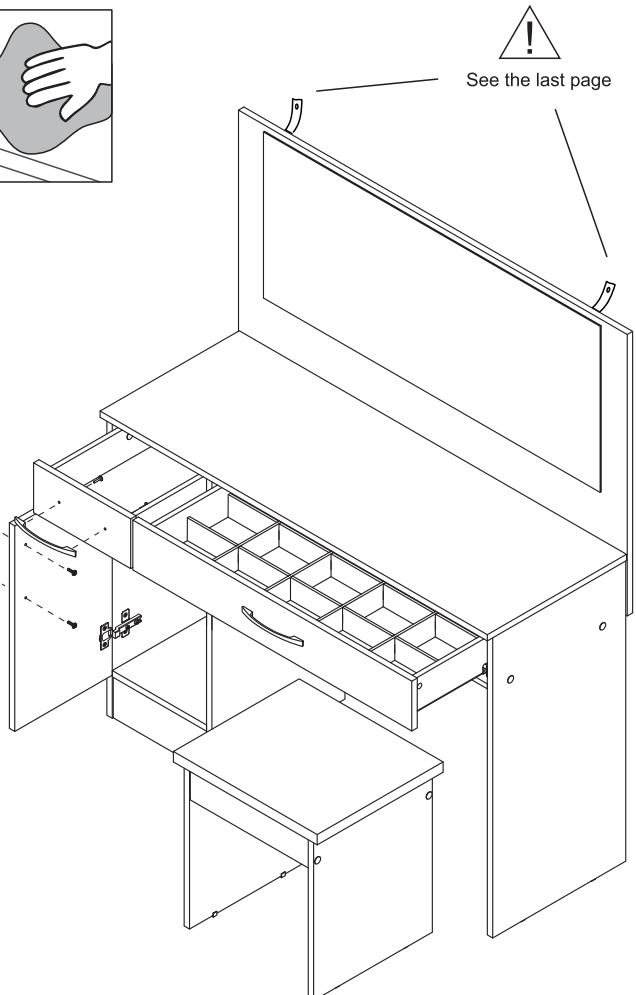


TIP
If desired, after assembly use an alcohol cleaner to erase the number printed on the parts.

Detail 25



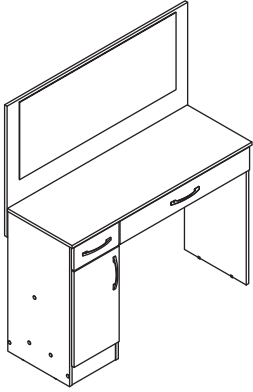
Detail 25



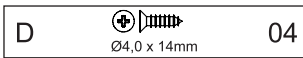
See the last page

STEP 42

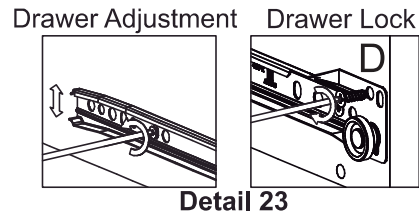
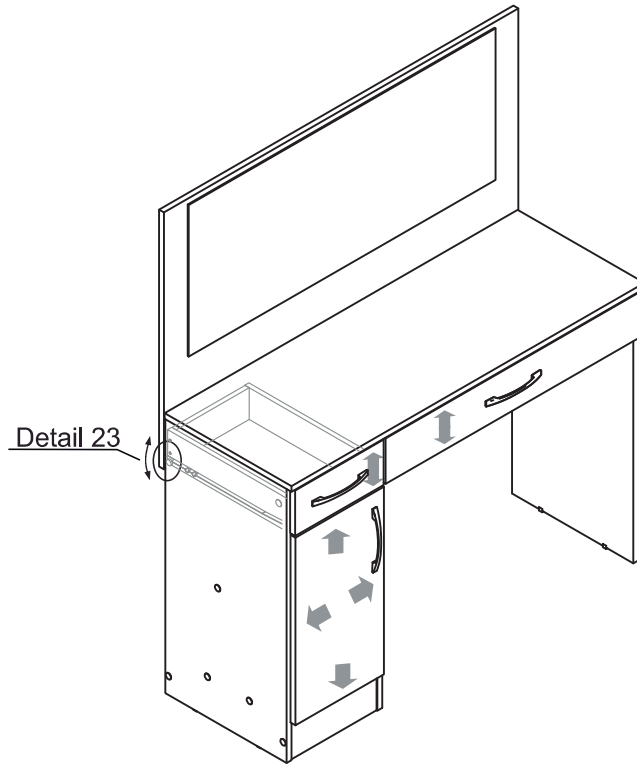
PARTS REQUIRED



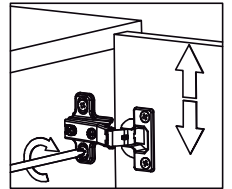
HARDWARE REQUIRED



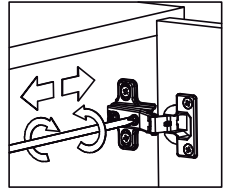
TOOLS REQUIRED



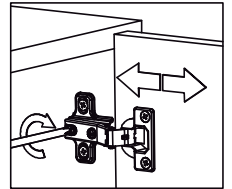
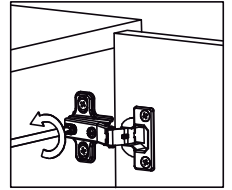
Height Adjustment



Internal Adjustment



Depth Adjustment



WARNING

Serious or fatal injuries can occur from furniture tipping over. To prevent the furniture from tipping over we recommend that it is permanently fixed to the wall.

Wall fixings are not supplied with this product as different wall materials require different types of fixing devices.

Please make sure you use fixings suitable for the walls in your home.

