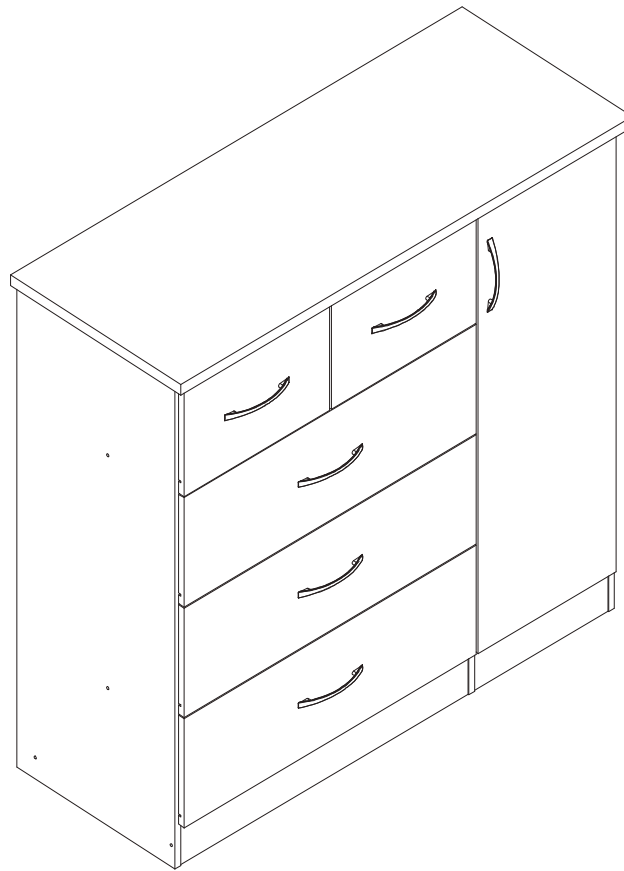


# NEVADA 5 DRAWER LOW WARDROBE ASSEMBLY INSTRUCTIONS

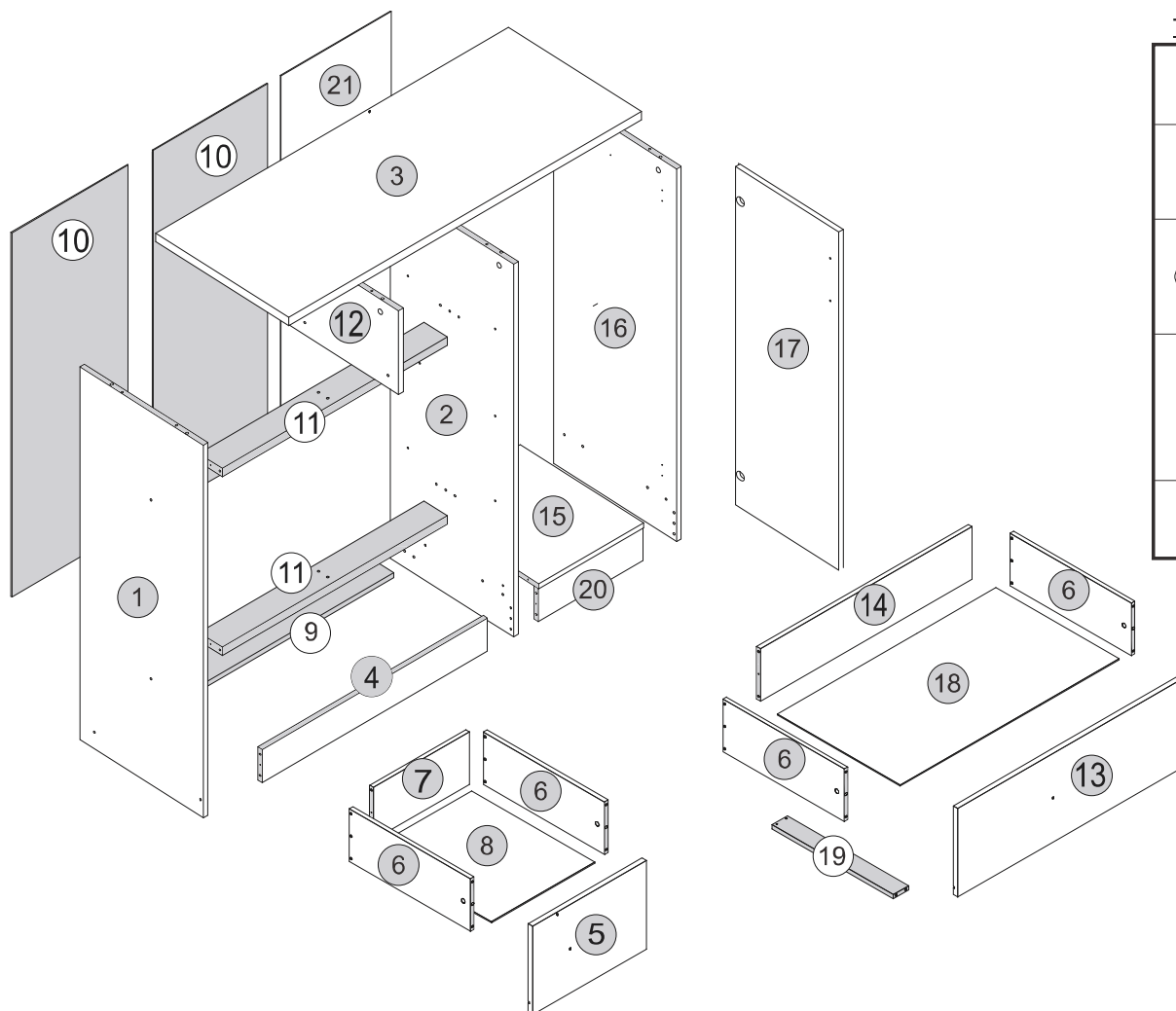
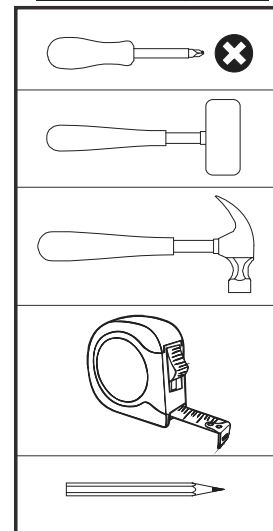


## **IMPORTANT FOR DOMESTIC USE ONLY PLEASE READ BEFORE YOU CONTINUE FURTHER CARE AND MAINTENANCE**

After unpacking this product please keep the original packaging in case it needs to be returned for any reason.

- Please ensure all fittings and parts are present before commencing with assembly.
- Never drag or push products as this could cause damage to the joints making it inferior.
- We strongly recommend that you keep children away from your work area.
- We recommend that you lay a blanket or sheet on the floor to avoid damage to both your floor and the product.
- Assemble this product as close to its final position as possible.
- Do not place this product next to a radiator or in direct sunlight.
- Do not drag or push items across your high gloss furniture as this may cause the surface to scratch
- Wood is a natural product and may expand if subjected to damp and may shrink or crack if subjected to heat. Therefore it is recommended that room temperature is maintained, with no sudden temperature fluctuations.
- Make sure any spillage is wiped off immediately.
- Do not place hot or chilled items directly on to the surface, use a place mat or marking will occur.
- For general cleaning use a soft cotton or micro fibre cloth, and do not use detergents of any kind.
- From time to time it may be necessary to tighten fittings, regular inspections should be carried out.
- Do not place on a wet or damp floor as staining may occur to your floor.

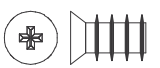
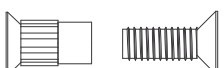
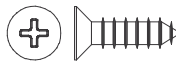
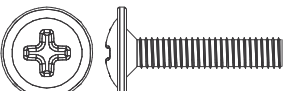

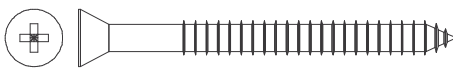

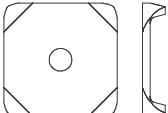
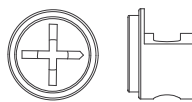

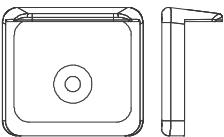

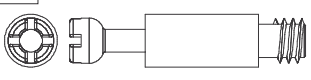


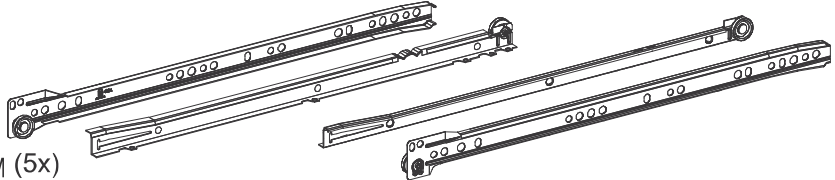
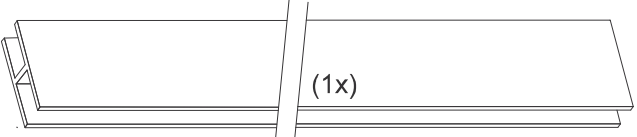


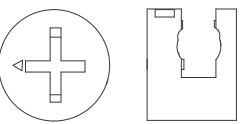
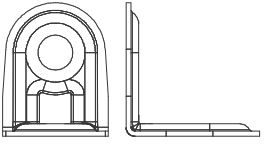

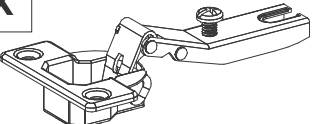
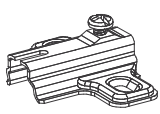
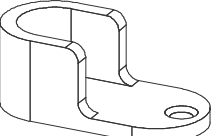
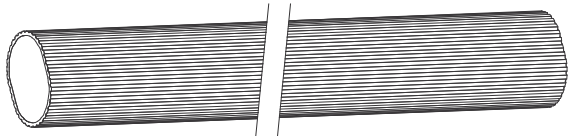
## TOOLS REQUIRED

***Please Note:***

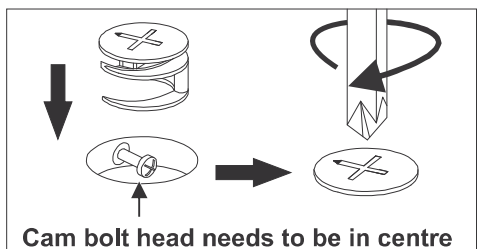
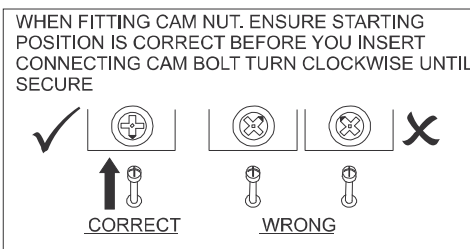
The below parts have all been stamped with the part number to help identify them during assembly.

<b>Part Number</b>	<b>Part Description</b>	<b>Quantity</b>	<b>Carton</b>
01	Left Side Panel	1	1/2
02	Large Division Panel	1	1/2
03	Top Panel	1	2/2
04	Front Baseboard	1	1/2
05	Small Drawer Front	2	2/2
06	Drawer Side	10	1/2
07	Small Drawer Back Panel	2	1/2
08	Small Drawer Botom	2	1/2
09	Back Baseboard	1	1/2
10	Large Back Panel	2	2/2
11	Crossbar	2	2/2
12	Drawer Division Panel	1	1/2
13	Large Drawer Front	3	2/2
14	Large Drawer Back Panel	3	1/2
15	Base	1	2/2
16	Right Side Panel	1	1/2
17	Door	1	2/2
18	Large Drawer Botom	3	2/2
19	Drawer Botom Support Bar	3	1/2
20	Small Front Baseboard	1	1/2
21	Small Back Panel	1	2/2


# FITTINGS LIST

<p><b>A</b></p>  <p>Flat Head Screw Ø6,0 x 10mm (16x) +1/2</p>	<p><b>B</b></p>  <p>Double Flat Head Screw Ø4,0 x 12mm (2x) +1/1</p>	<p><b>C</b></p>  <p>Flat Head Screw Ø4,0 x 14mm (44x) +1/2</p>	<p><b>D</b></p>  <p>Flan Head Screw Ø4,0 x 20mm (12x) +1/2</p>
<p><b>E</b></p>  <p>Flat Head Screw Ø3,5 x 40mm (6x) +1/1</p>	<p><b>F</b></p>  <p>Flat Head Screw Ø4,0 x 50mm (24x) +1/2</p>	<p><b>G</b></p>  <p>Dowel Ø6,0 x 30mm (75x) +1/2</p>	
<p><b>H</b></p>  <p>Nail 10 x 10 (104x) +1/2</p>	<p><b>I</b></p>  <p>Back Panel Bracket (8x) +1/1</p>	<p><b>J</b></p>  <p>Cam Nut Ø12x8,8MM (10x) +1/2</p>	<p><b>K</b></p>  <p>Washer Ø16x7 (4x) +1/1</p>
<p><b>L</b></p>  <p>Plastic Foot (9x) +1/1</p>	<p><b>M</b></p>  <p>Flan Head Screw Ø3,5 x 30mm (2x) +1/1</p>	<p><b>N</b></p>  <p>Cam Bolt (18x) +1/2</p>	<p><b>O</b></p>  <p>Hole Plugs 19MM (6x) +1/2</p>
<p><b>P</b></p>  <p>Glue (3x)</p>	<p><b>Q</b></p>  <p>Drawer Runners 400MM (5x)</p>		
<p><b>R</b></p>  <p>Back Panel Strip H 799x19x3,8MM (1x)</p>	<p><b>S</b></p>  <p>Strap 200x20x1MM (2x)</p>	<p><b>T</b></p>  <p>Handle (6x)</p>	
<p><b>U</b></p>  <p>Cam Nut Ø14,9x11MM (8x) +1/1</p>	<p><b>V</b></p>  <p>'L' Metallic Support (1x) +1/1</p>	<p><b>W</b></p>  <p>Dowel Ø6,0 x 50mm (2x) +1/1</p>	<p><b>X</b></p>  <p>Hinge (2x)</p>
<p><b>Y</b></p>  <p>Hinge Plate (2x)</p>	<p><b>Z</b></p>  <p>Hanging Rail Support (2x)</p>	<p><b>A1</b></p>  <p>Hanging Rail 337x30x16x0,6mm (1x)</p>	

## TIPS FOR FITTINGS CAM-LOCKS

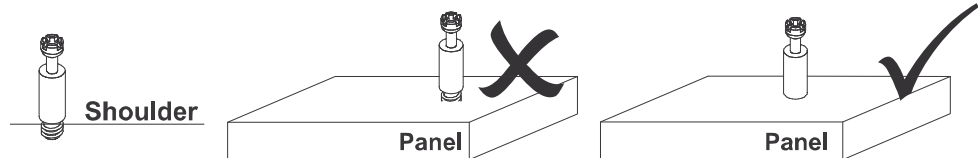


**B1**



Hole Plugs Líneo 19mm (14x)  
+1/2

**CAMBOLT**  
Tighten until shoulder in flush with panel. Do not overtighten or undertighten (see example beside)





# STEP 1

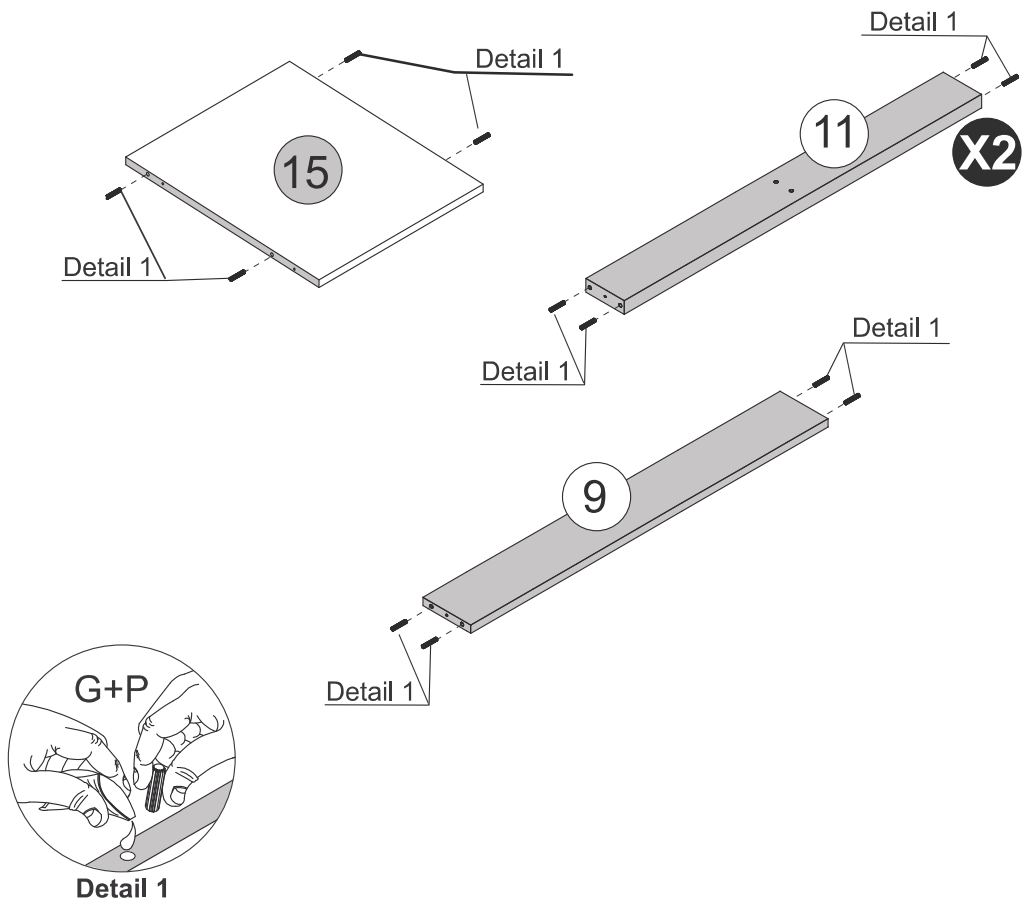
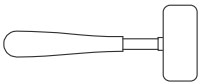
## PARTS REQUIRED

9 - BACK BASEBOARD	x1
11 - CROSSBAR	x2
15 - BASE	x1

## HARDWARE REQUIRED

G		16
Ø6,0 x 30mm		
P		01

## TOOLS REQUIRED








# STEP 2

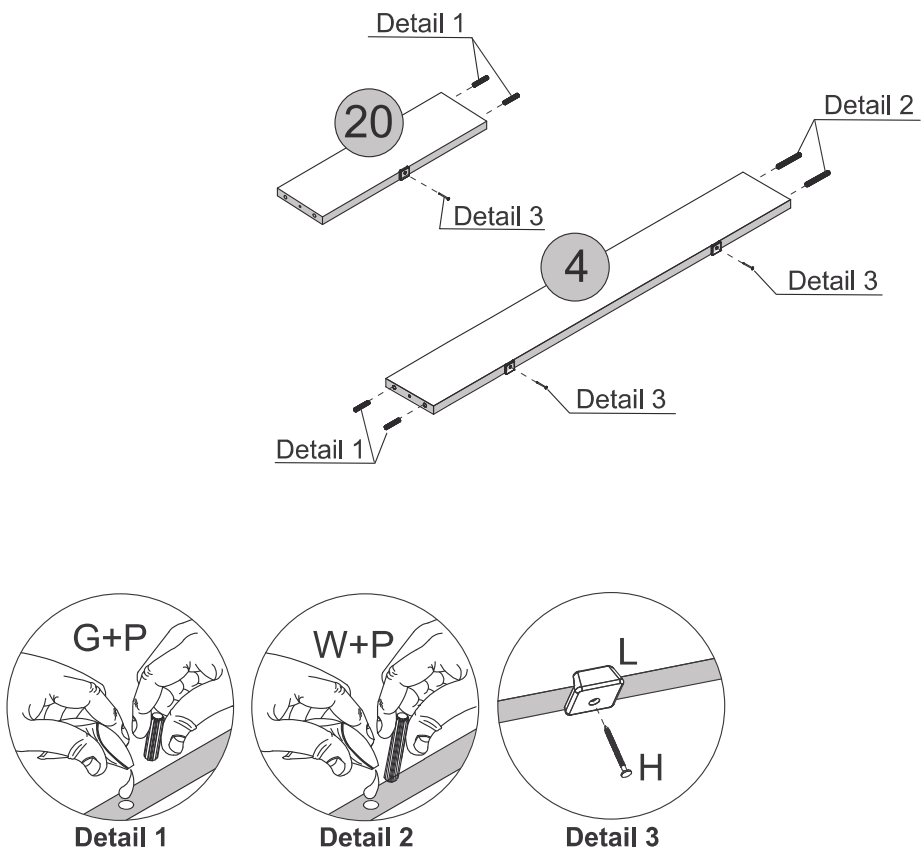
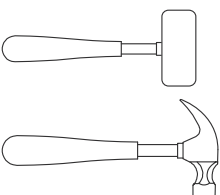
## PARTS REQUIRED

4 - FRONT BASEBOARD	x1
20 - SMALL FRONT BASEBOARD	x1

## HARDWARE REQUIRED

G		04
Ø6,0 x 30mm		
H		03
L		03
W		02
Ø6,0 x 50mm		
P		01

## TOOLS REQUIRED




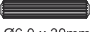
# STEP 3

## PARTS REQUIRED

2 - LARGE DIVISION PANEL x1

## HARDWARE REQUIRED

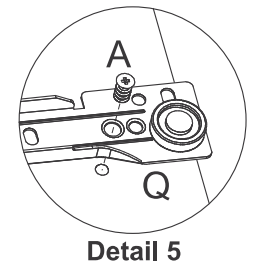
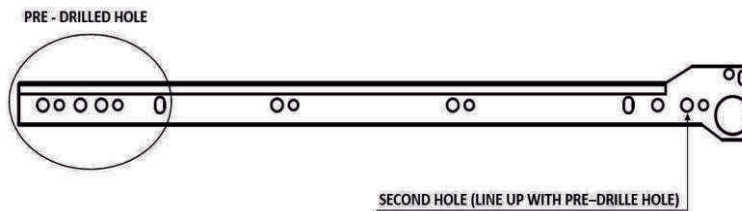
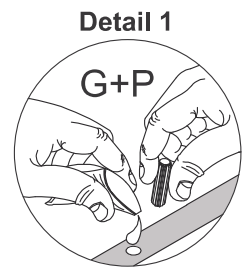
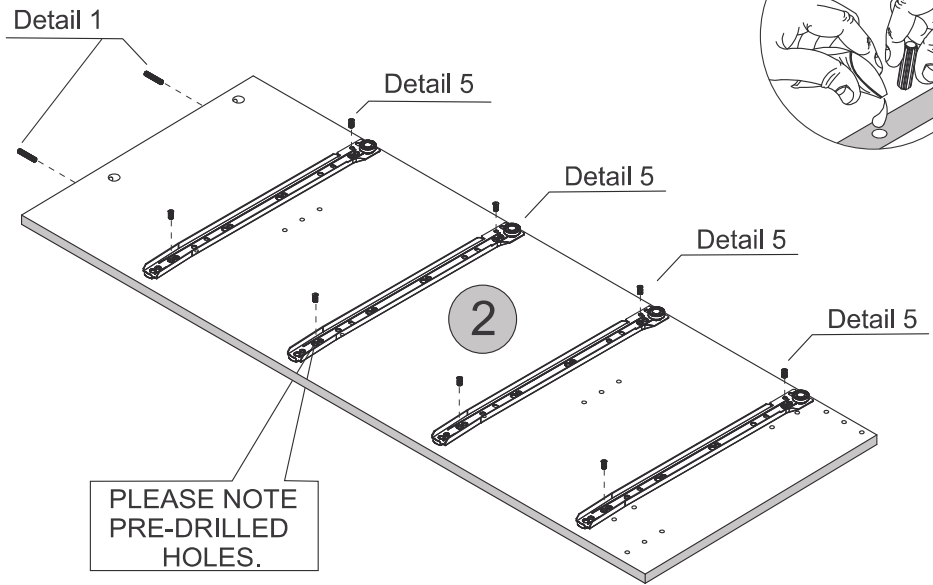
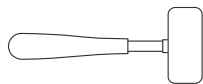
A  08  
Ø6,0 x 10mm

G  02  
Ø6,0 x 30mm

P  01  
Glue

Q  04  
Right

## TOOLS REQUIRED

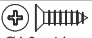


# STEP 4

## PARTS REQUIRED

2 - LARGE DIVISION PANEL x1

## HARDWARE REQUIRED

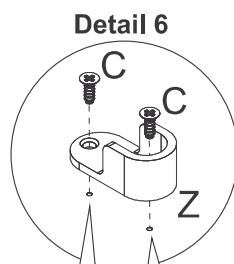
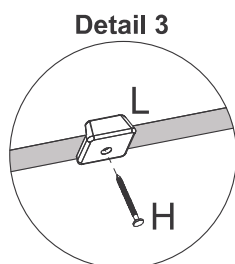
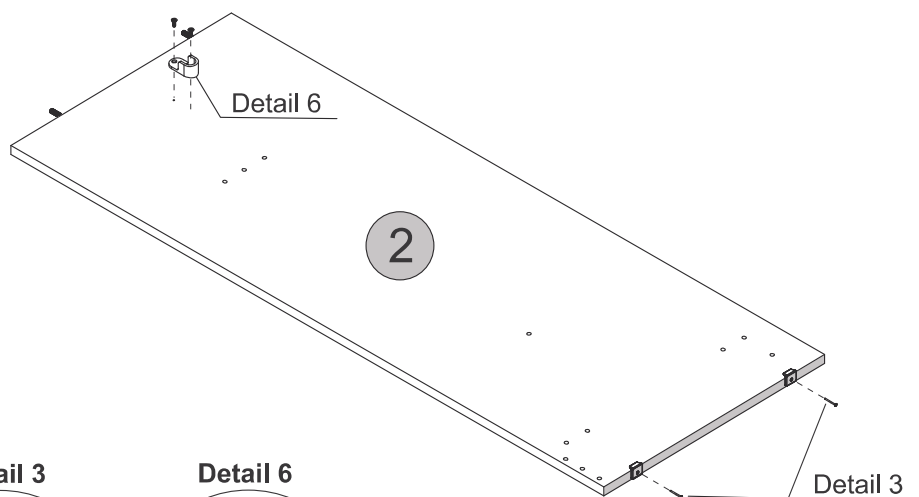
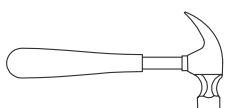
C  02  
Ø4,0 x 14mm

H  02

L  02

Z  01

## TOOLS REQUIRED



Please note:  
Pre-marked  
Holes

# STEP 5

## PARTS REQUIRED

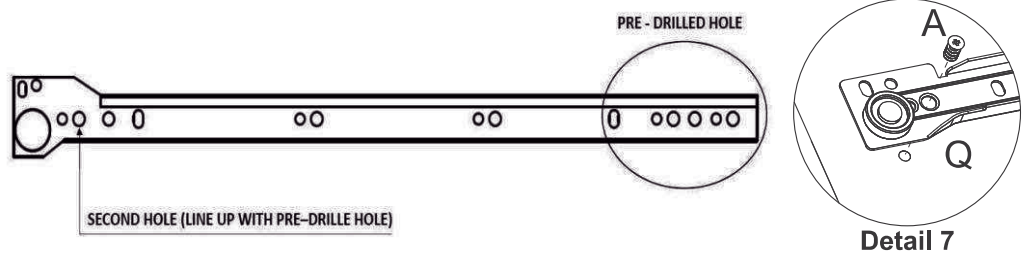
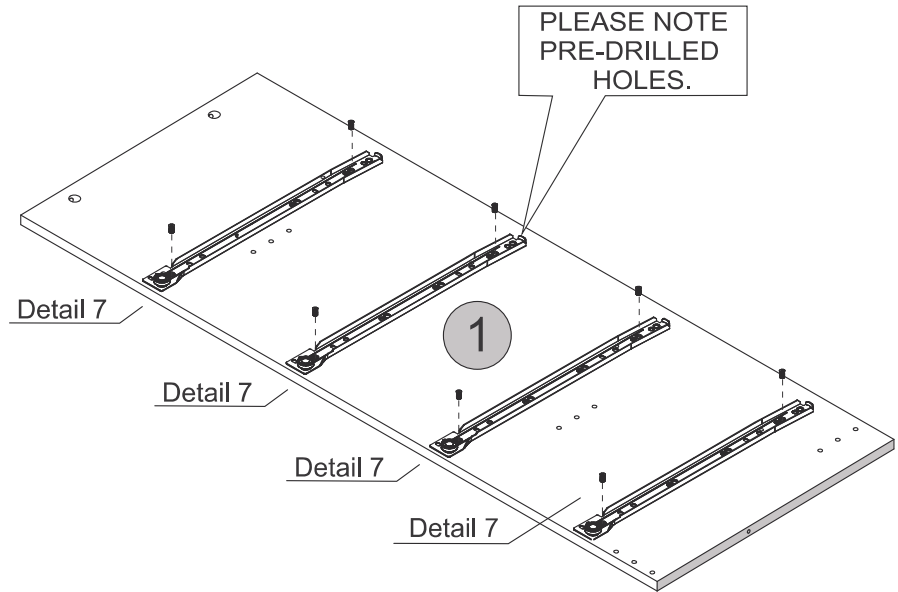
1 - LEFT SIDE PANEL x1

## HARDWARE REQUIRED

A  08  
Ø6,0 x 10mm

Q  04  
Left

## TOOLS REQUIRED





# STEP 6

## PARTS REQUIRED

1 - LEFT SIDE PANEL x1

## HARDWARE REQUIRED

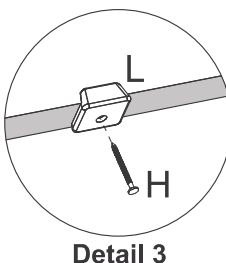
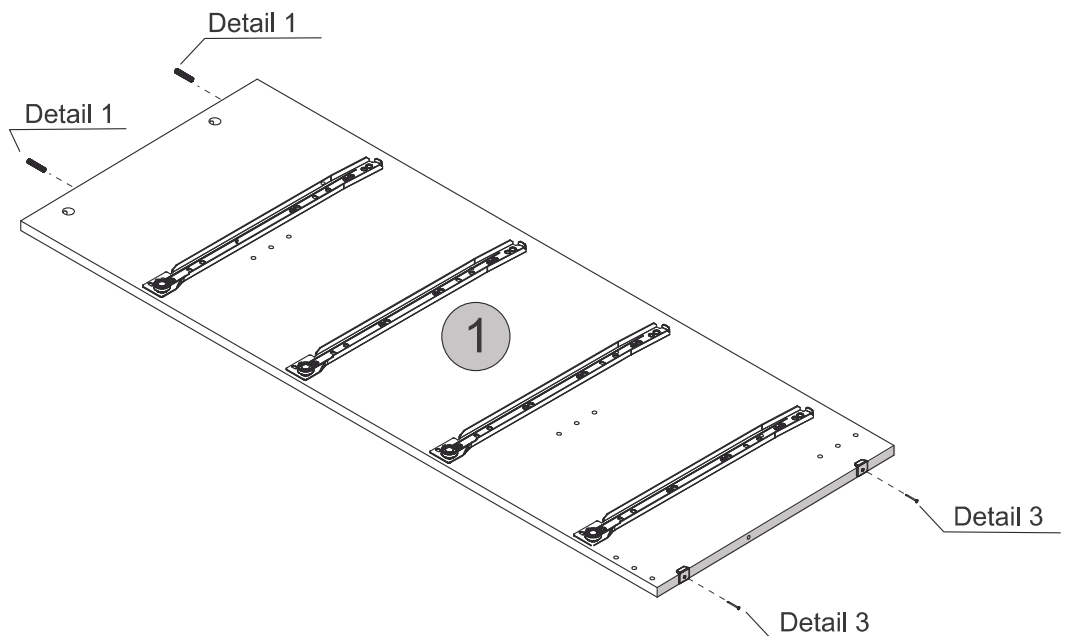
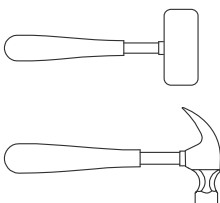
G  02  
Ø6,0 x 30mm

H  02

L  02

P  01

## TOOLS REQUIRED

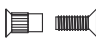






# STEP 7

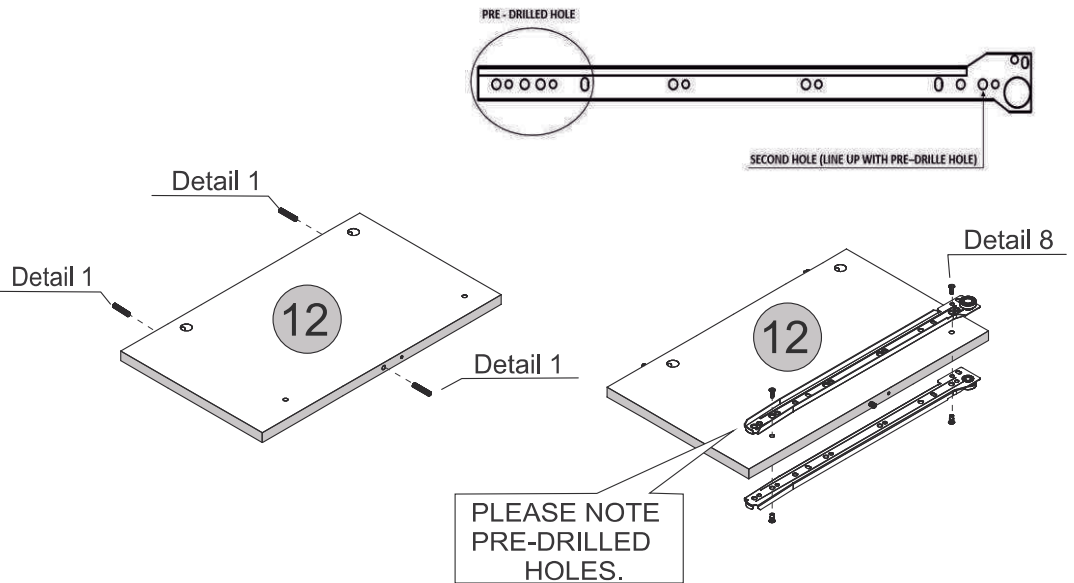
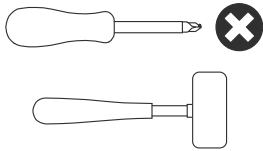
## PARTS REQUIRED

12 - DRAWER DIVISION PANEL x1

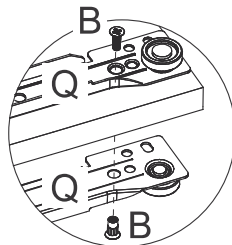
## HARDWARE REQUIRED

- B  02
- G  03  
Ø6,0 x 30mm
- P  01
- Q  Right 01
- Q  Left 01

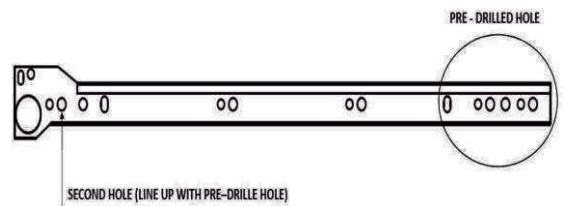
## TOOLS REQUIRED



Detail 1



Detail 8

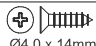






# STEP 8

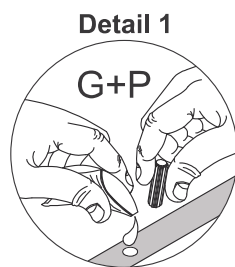
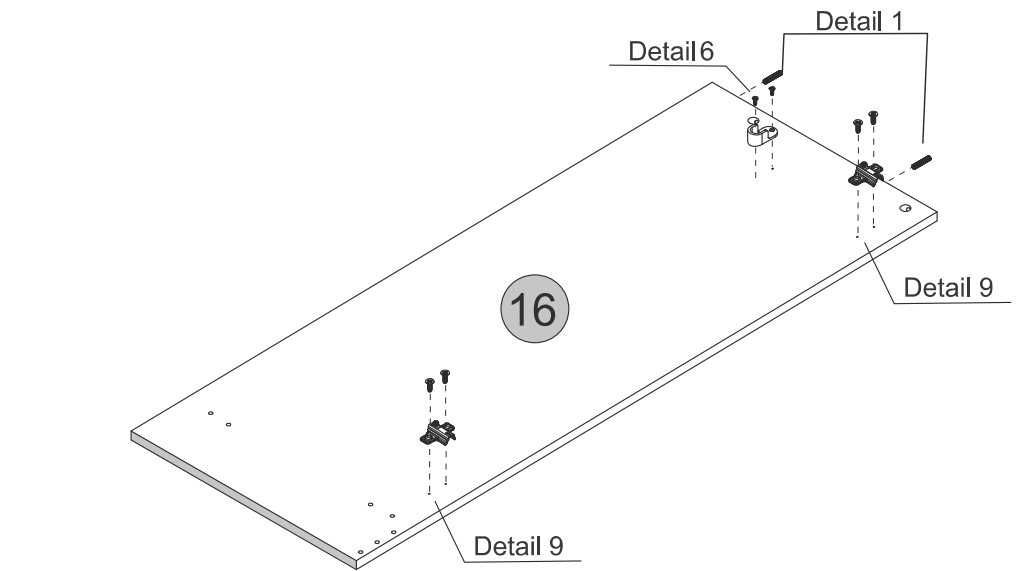
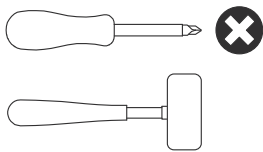
## PARTS REQUIRED

16 - RIGHT SIDE PANEL x1

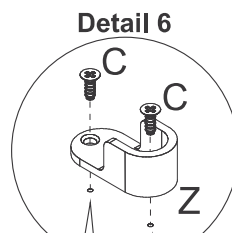
## HARDWARE REQUIRED

- C  06  
Ø4,0 x 14mm
- G  02  
Ø6,0 x 30mm
- P  01
- Y  02
- Z  01

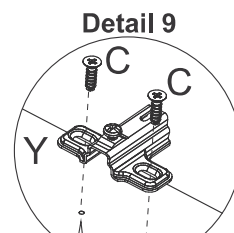
## TOOLS REQUIRED



Detail 1



Detail 6



Detail 9

Please note: Pre-marked Holes

Please note: Pre-marked Holes

# STEP 9

## PARTS REQUIRED

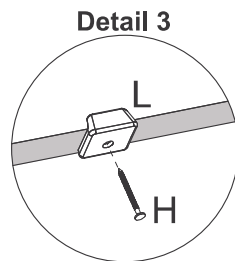
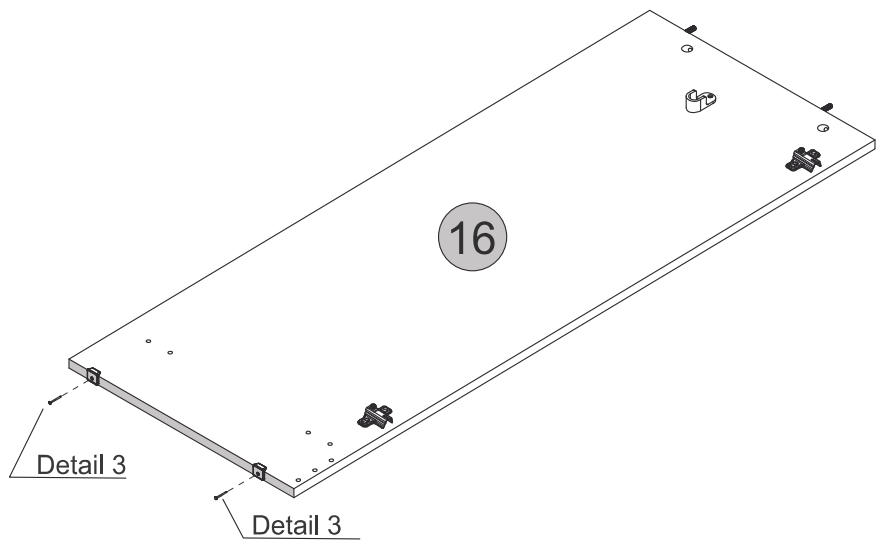
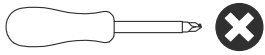
16 - RIGHT SIDE PANEL x1

## HARDWARE REQUIRED

H  02

L  02

## TOOLS REQUIRED

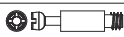


# STEP 10

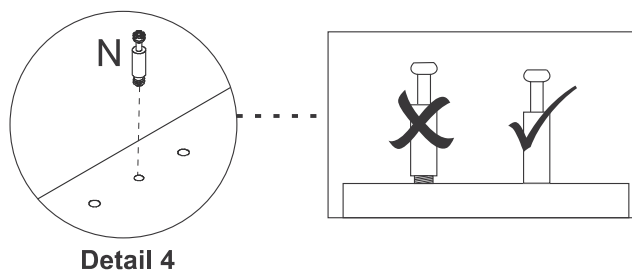
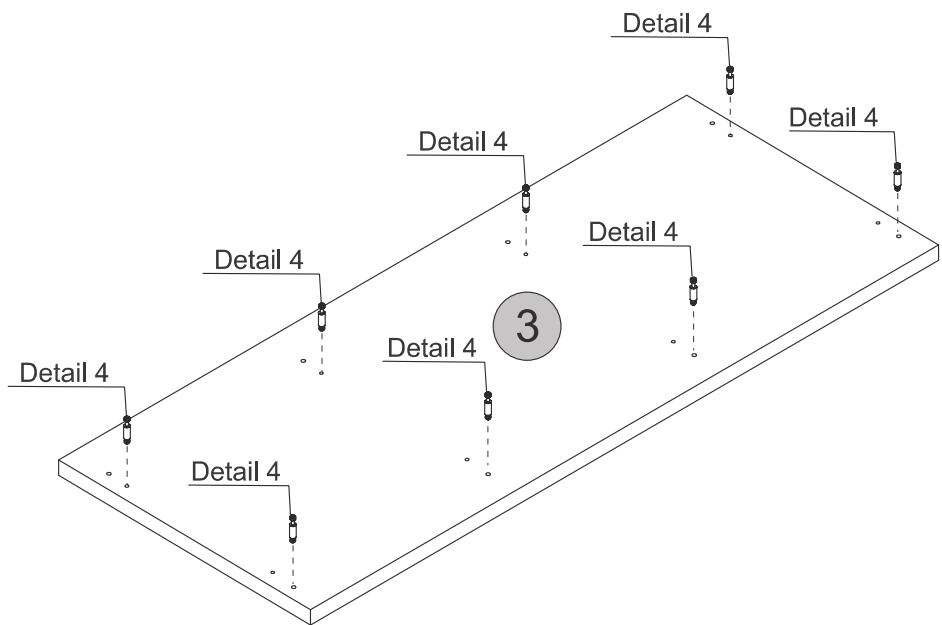
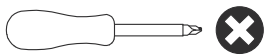
## PARTS REQUIRED

3 - TOP PANEL x1

## HARDWARE REQUIRED

N  08  
Cam Bolt

## TOOLS REQUIRED





# STEP 11

## PARTS REQUIRED

1 - LEFT SIDE PANEL x1

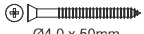
2 - LARGE DIVISION PANEL x1


4 - FRONT BASEBOARD x1

9 - BACK BASEBOARD x1

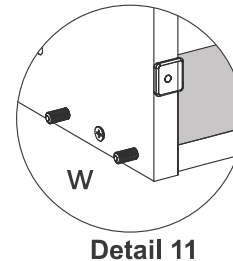
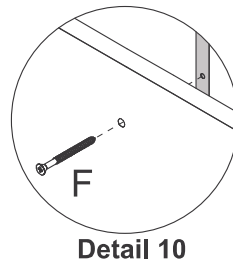
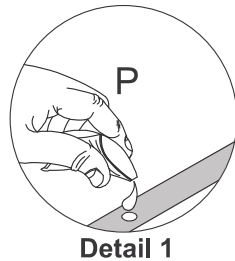
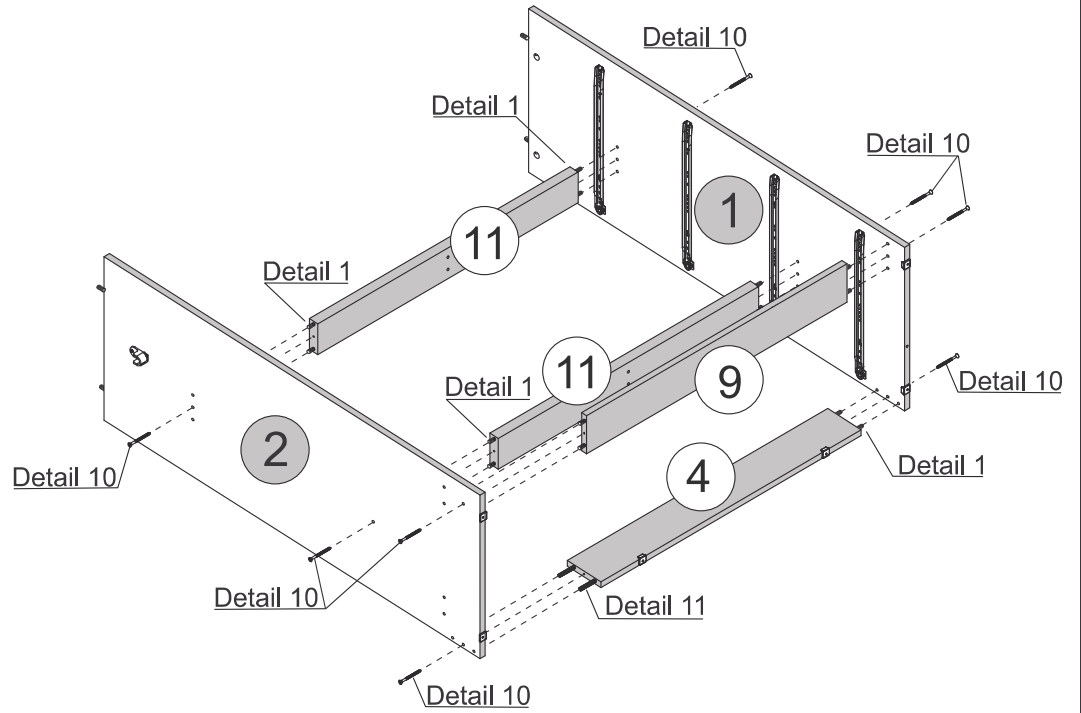
11 - CROSSBAR x2

## HARDWARE REQUIRED

F  08  
Ø4,0 x 50mm

P  01

## TOOLS REQUIRED



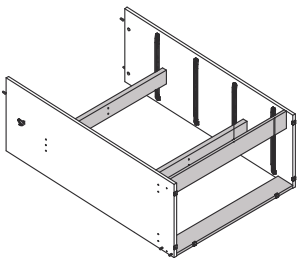
# STEP 12

## PARTS REQUIRED

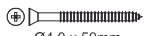
15 - BASE x1

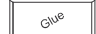
16 - RIGHT SIDE PANEL x1

20 - SMALL FRONT BASEBOARD x1

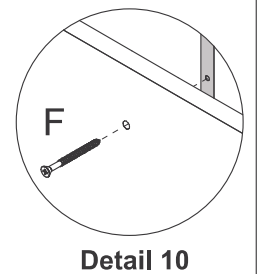
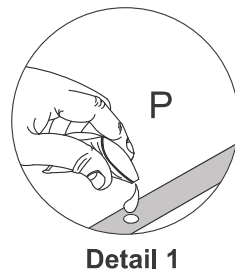
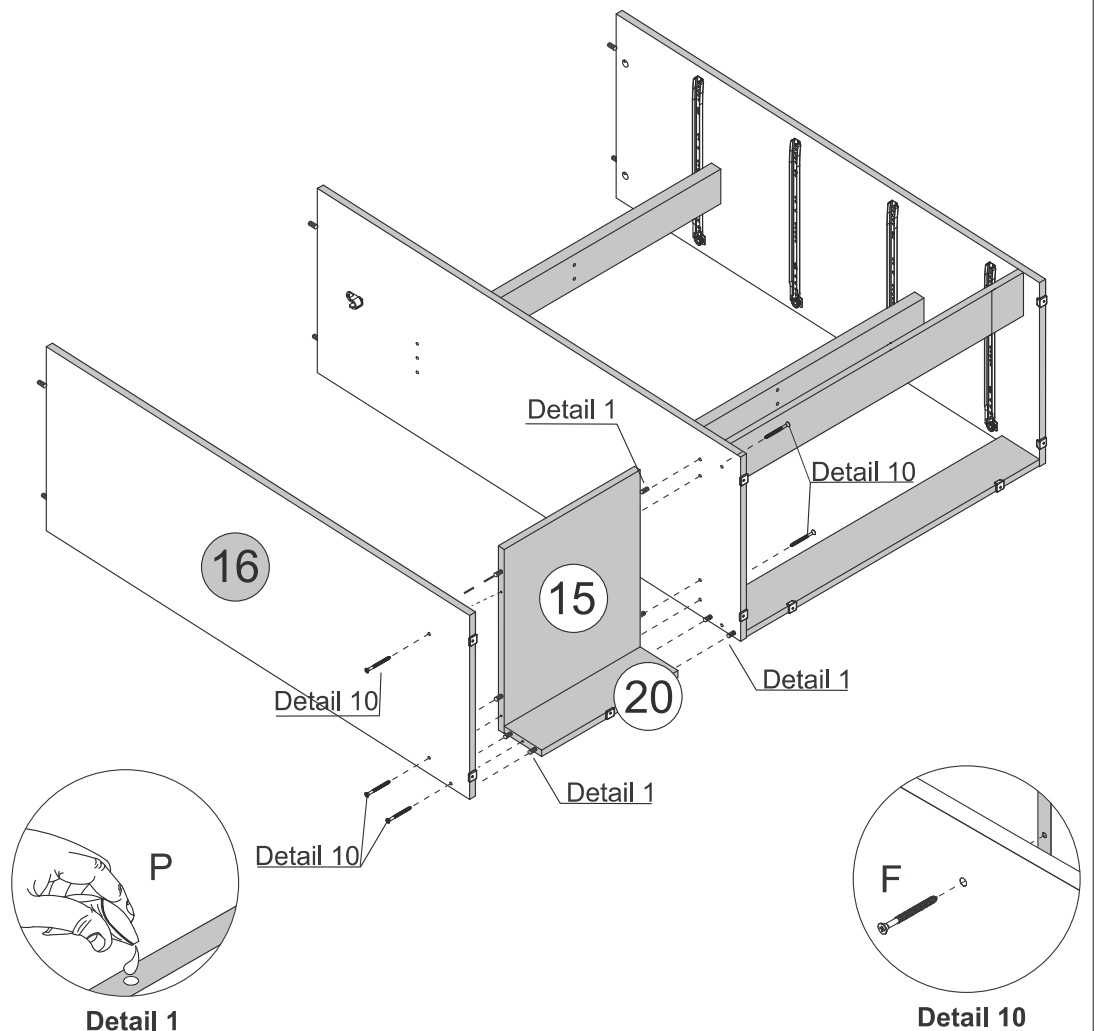
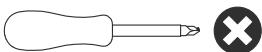


## HARDWARE REQUIRED

F  05  
Ø4,0 x 50mm

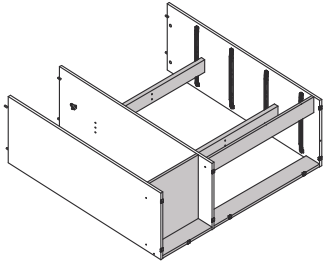
P  01

## TOOLS REQUIRED

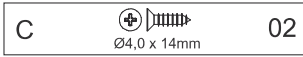


# STEP 13

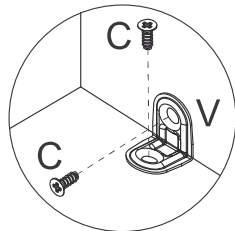
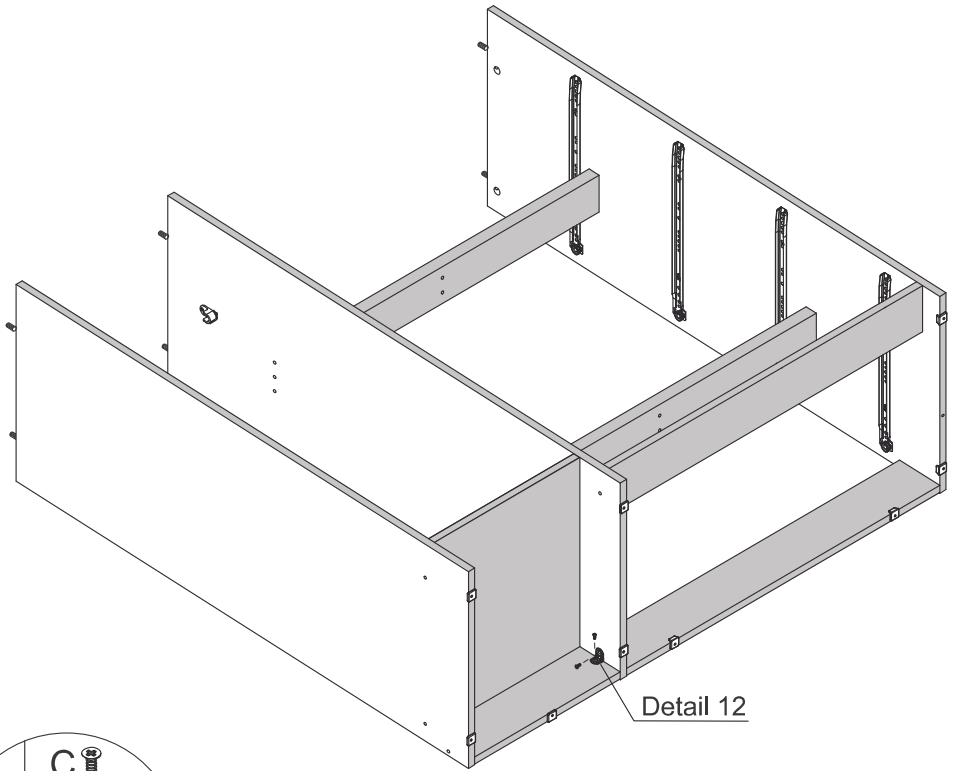
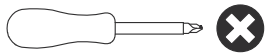
**PARTS REQUIRED**



**HARDWARE REQUIRED**



**TOOLS REQUIRED**



Detail 12

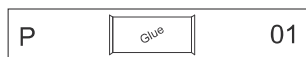
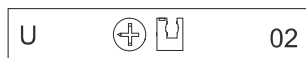
# STEP 14

**PARTS REQUIRED**

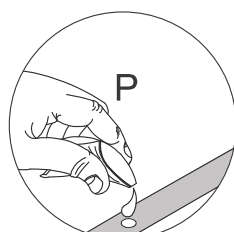
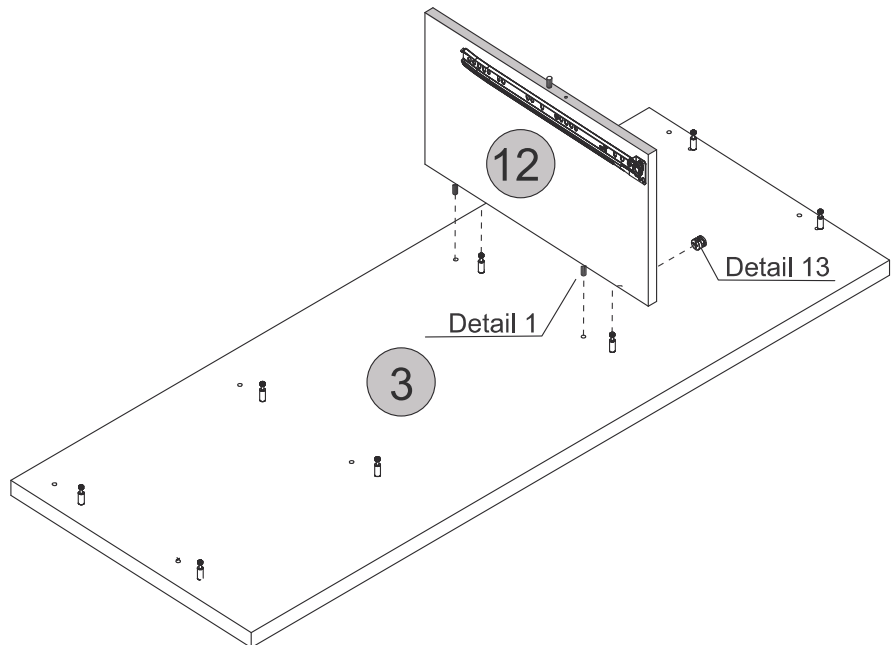
12 - DRAWER DIVISION PANEL x1

3 - TOP PANEL x1

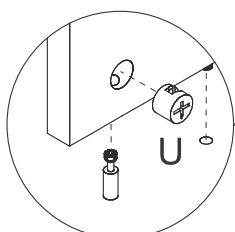
**HARDWARE REQUIRED**



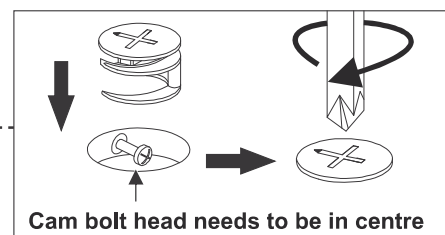
**TOOLS REQUIRED**



Detail 1

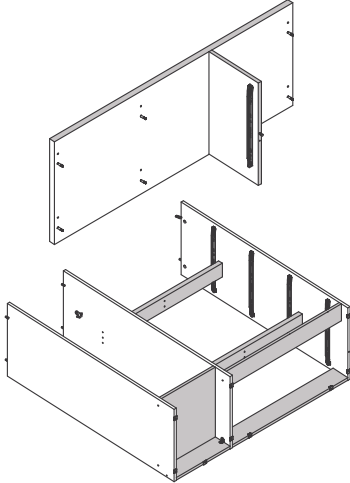


Detail 13

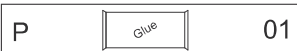
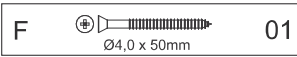


# STEP 15

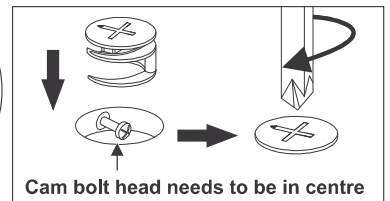
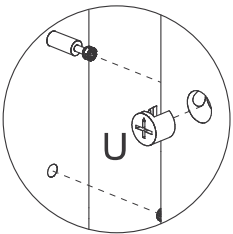
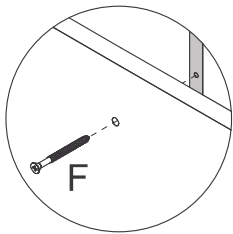
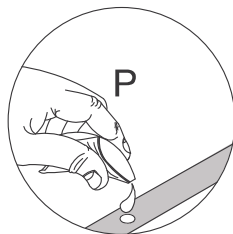
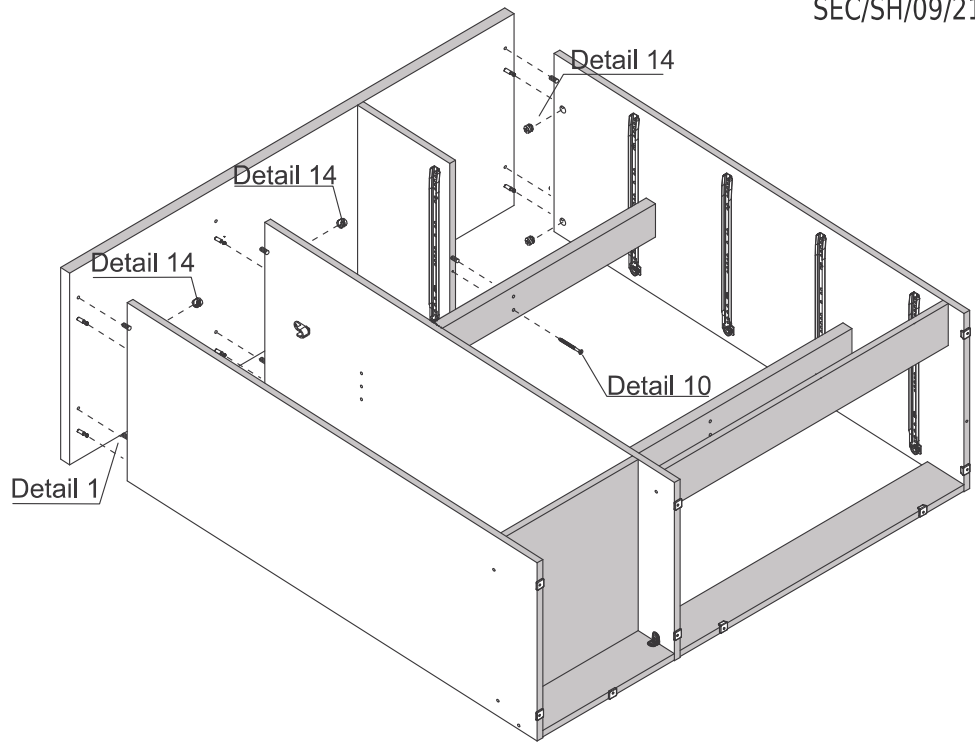
## PARTS REQUIRED



## HARDWARE REQUIRED

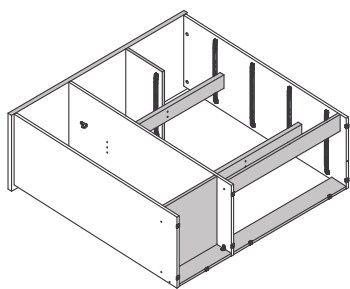


## TOOLS REQUIRED



# STEP 16

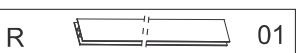
## PARTS REQUIRED



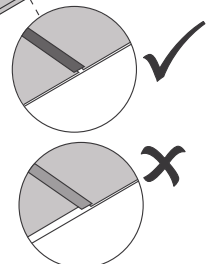
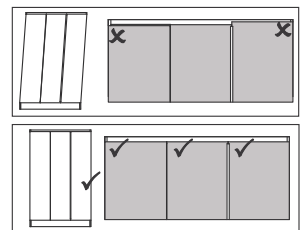
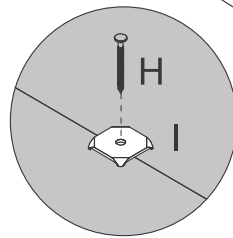
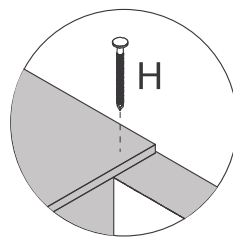
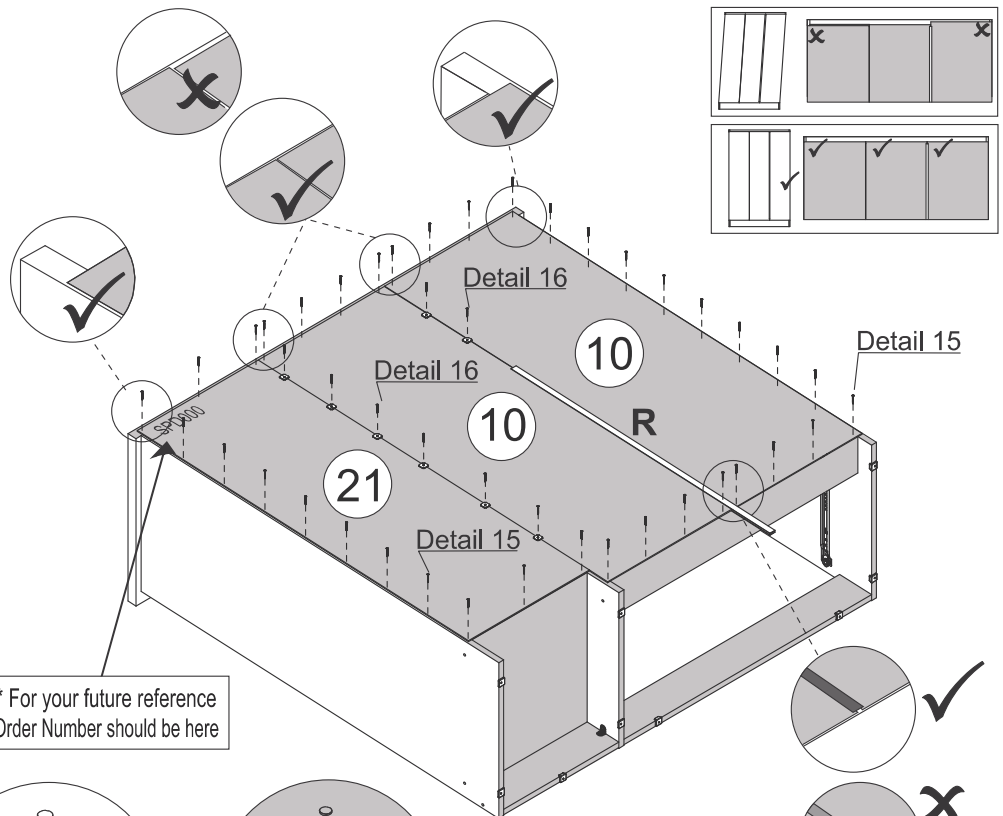
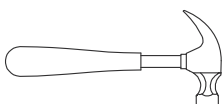
10 - LARGE BACK PANEL x2

21 - SMALL BACK PANEL x1

## HARDWARE REQUIRED



## TOOLS REQUIRED



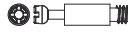
# STEP 17

## PARTS REQUIRED

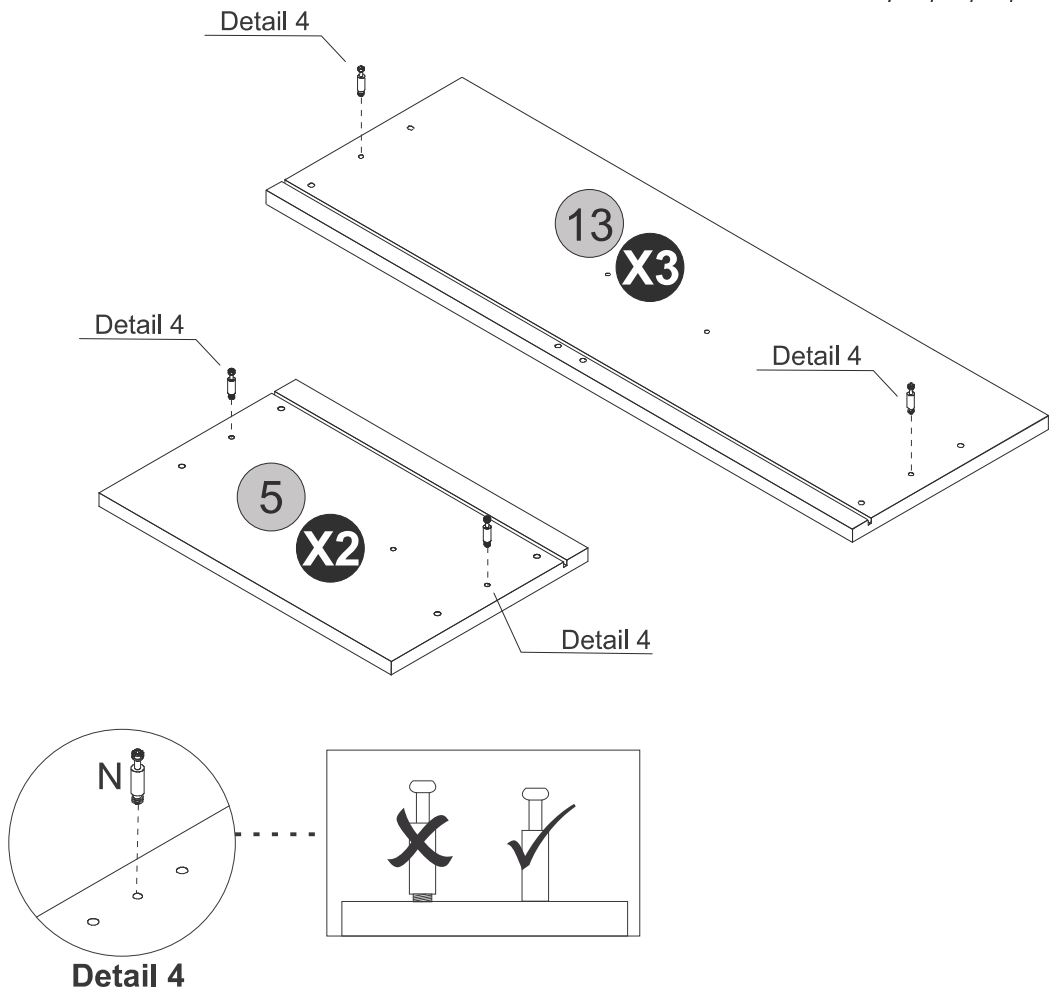
5 - SMALL DRAWER FRONT x2

13 - LARGE DRAWER FRONT x3

## HARDWARE REQUIRED

N  10

## TOOLS REQUIRED



# STEP 18

## PARTS REQUIRED


6 - DRAWER SIDE x10

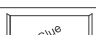
7 - SMALL DRAWER BACK PANEL x2

14 - LARGE DRAWER BACK PANEL x3

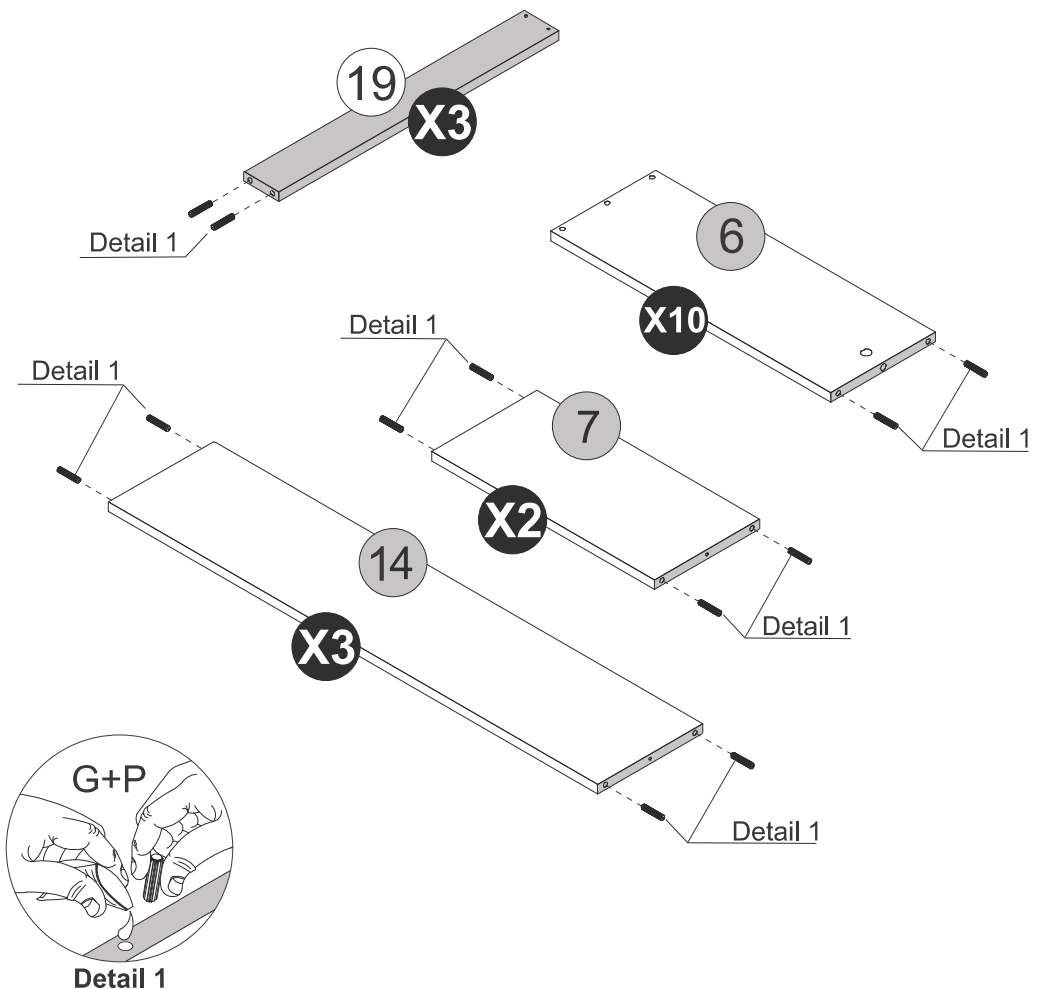
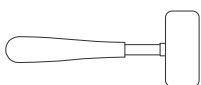
19 - DRAWER BOTTOM SUPPORT BAR x3

## HARDWARE REQUIRED

G  46  
Ø6,0 x 30mm

P  01

## TOOLS REQUIRED




# STEP 19

## PARTS REQUIRED

6 - DRAWER SIDE x6

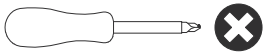
14 - LARGE DRAWER BACK PANEL x3

## HARDWARE REQUIRED

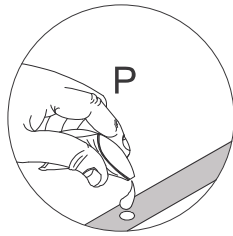
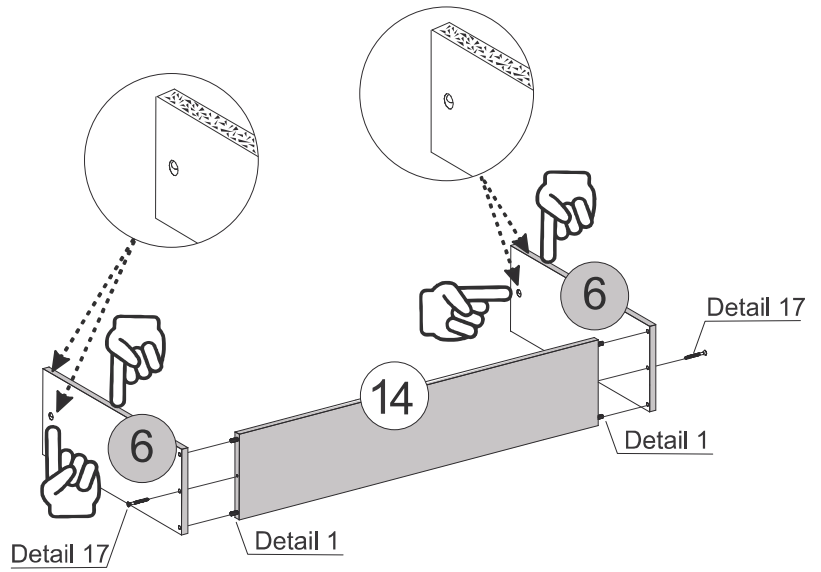
F  06  
Ø4,0 x 50mm

P  01

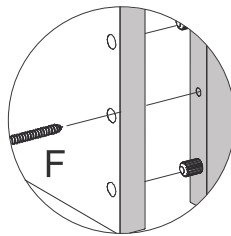
## TOOLS REQUIRED



**X3**



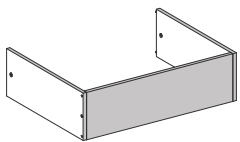
Detail 1



Detail 17


# STEP 20

## PARTS REQUIRED




13 - LARGE DRAWER FRONT x3

## HARDWARE REQUIRED

J  06

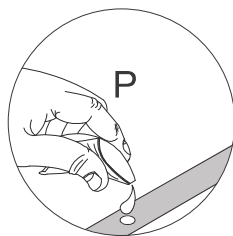
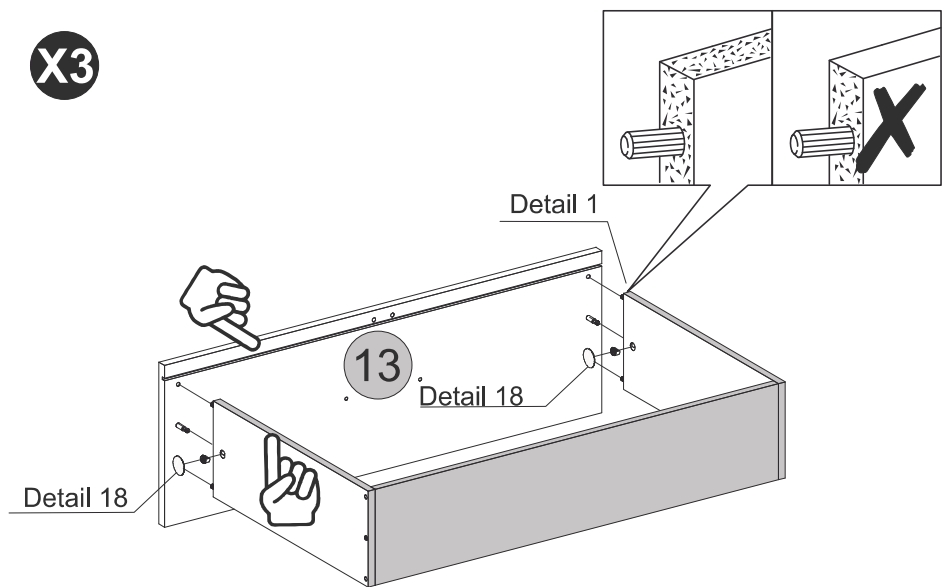
B1  06

P  01

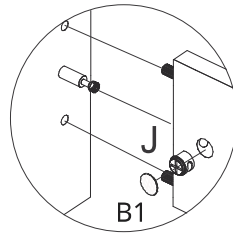
## TOOLS REQUIRED



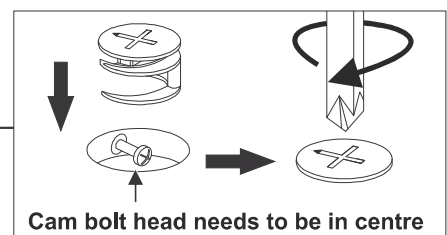
**X3**



Detail 1



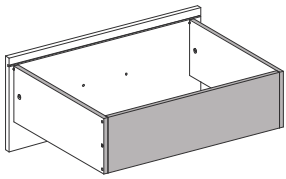
Detail 18



# STEP 21

## PARTS REQUIRED

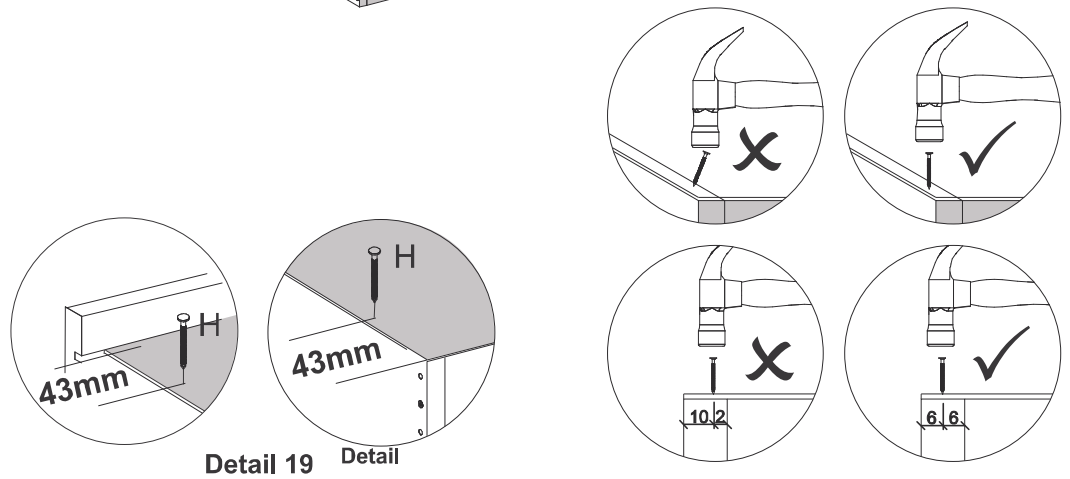
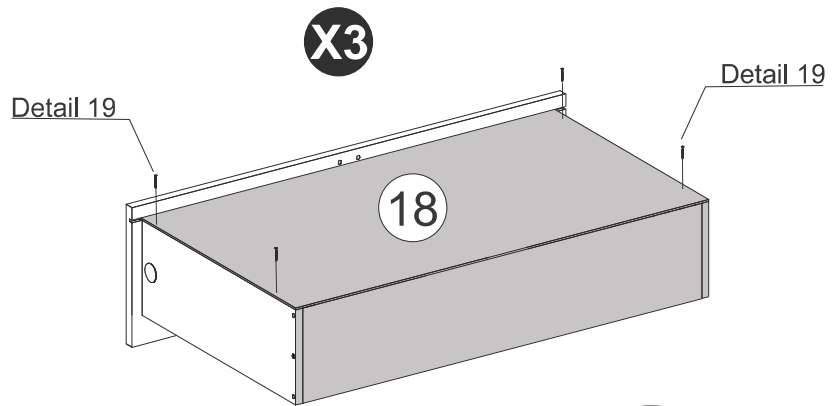
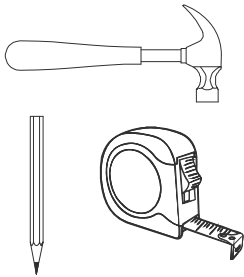
18 - LARGE DRAWER BOTTOM x3



## HARDWARE REQUIRED

H  12

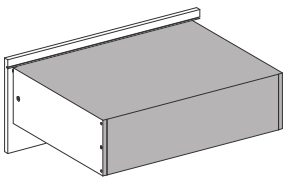
## TOOLS REQUIRED



# STEP 22

## PARTS REQUIRED

19 -DRAWER BOTTOM SUPPORT BAR x3

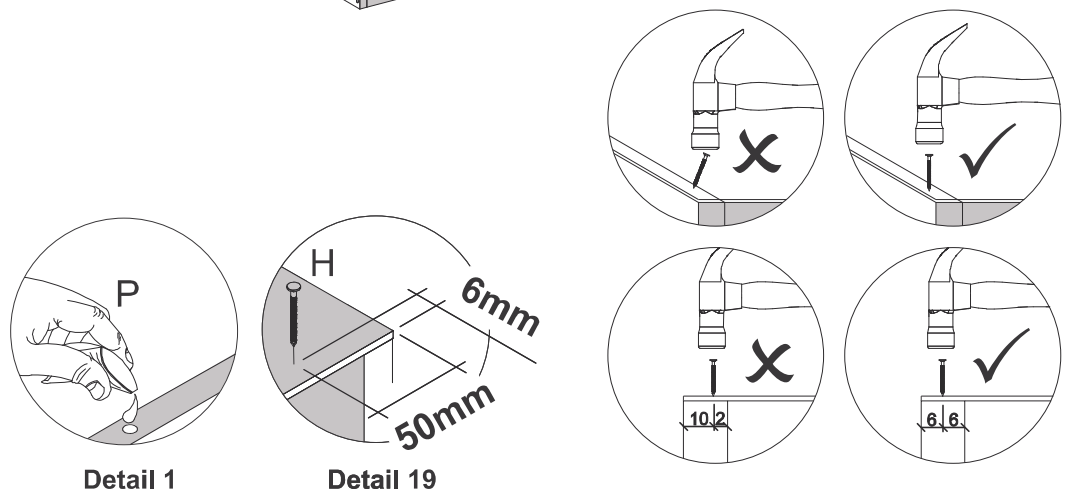
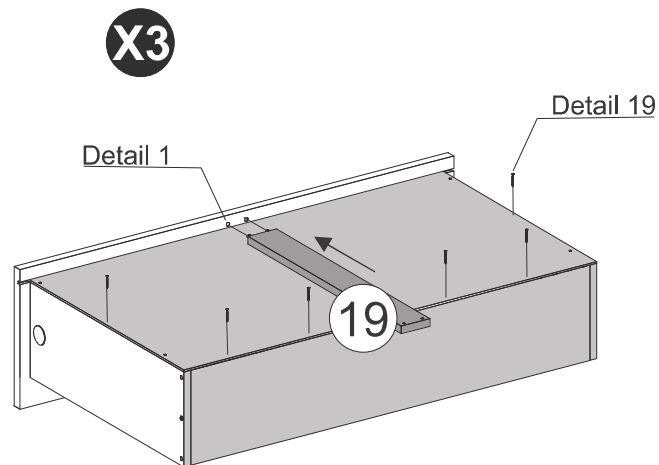
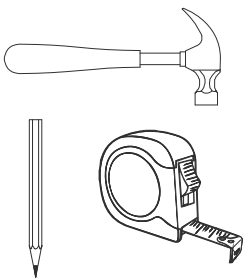


## HARDWARE REQUIRED

H  18

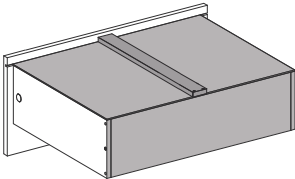
P  01

## TOOLS REQUIRED





# STEP 23

### PARTS REQUIRED



### HARDWARE REQUIRED

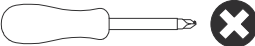
C		12
Ø4,0 x 14mm		

E		06
Ø3,5 x 40mm		

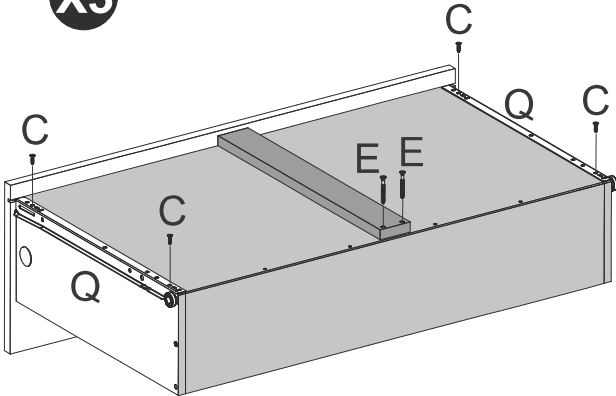
Q	LEFT	03
---	------	----

Q	RIGHT	03
---	-------	----

### TOOLS REQUIRED

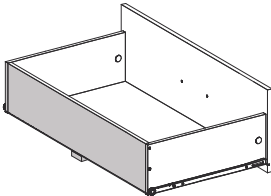


X3




# STEP 24

### PARTS REQUIRED

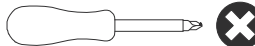


### HARDWARE REQUIRED

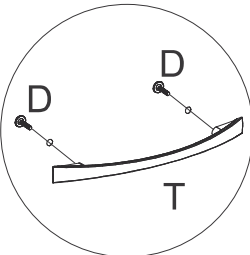
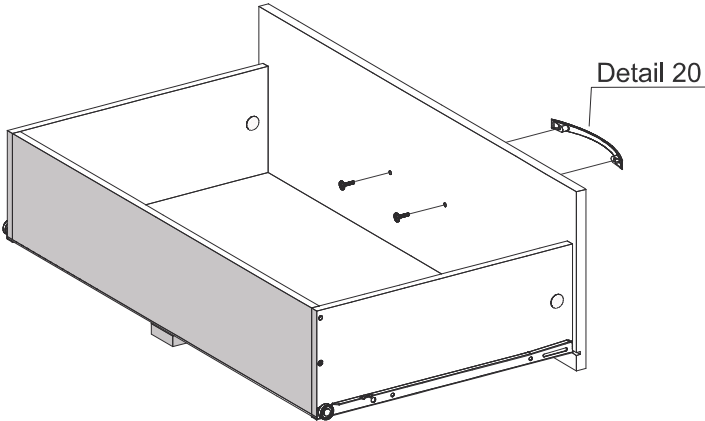
D		06
Ø4,0 x 22mm		

T		03
---	---	----

### TOOLS REQUIRED



X3



Detail 20

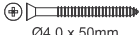
# STEP 25

## PARTS REQUIRED

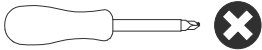
6 - DRAWER SIDE x4

7 - SMALL DRAWER BACK PANEL x2

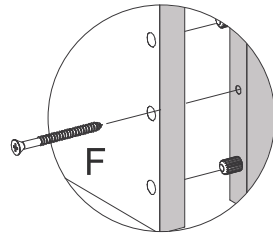
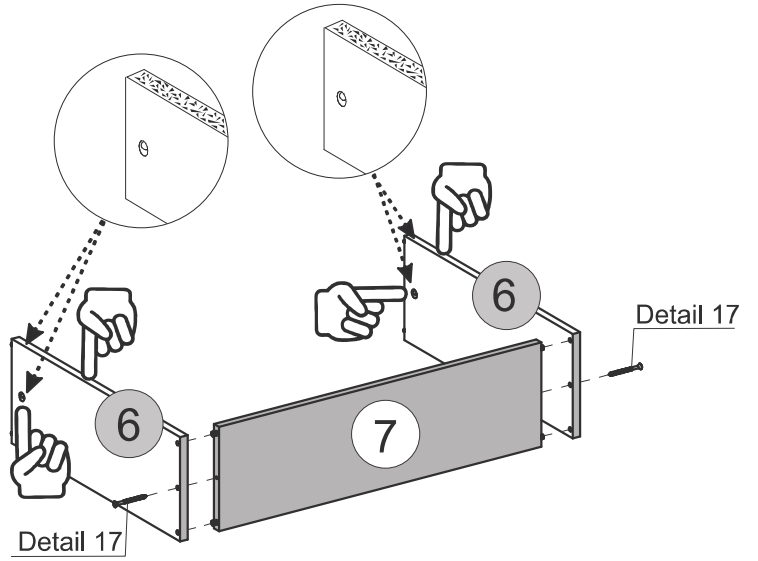
## HARDWARE REQUIRED

F  04  
Ø4.0 x 50mm

## TOOLS REQUIRED



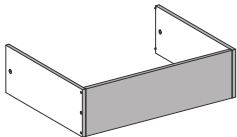
**X2**



Detail 17

# STEP 26

## PARTS REQUIRED

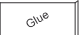


5 - SMALL DRAWER FRONT x2

## HARDWARE REQUIRED

J  04

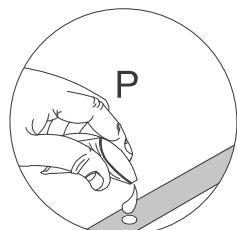
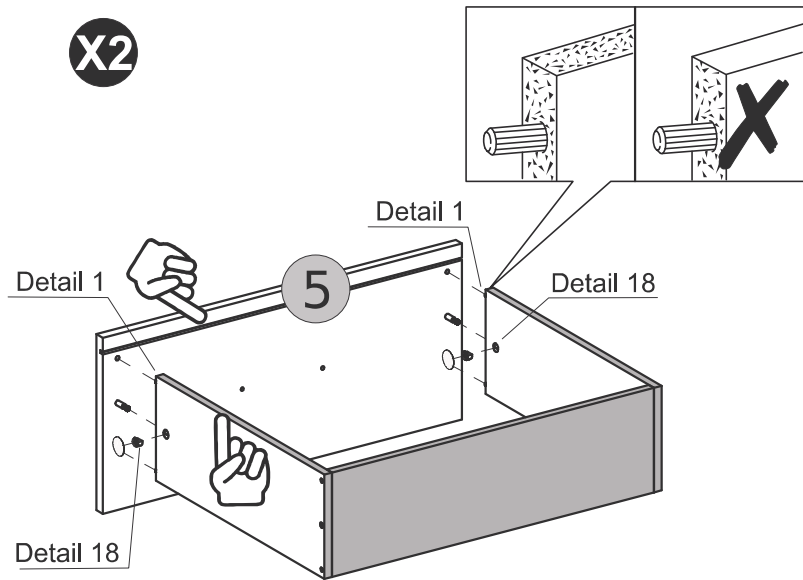
B1  04

P  01

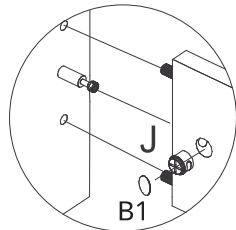
## TOOLS REQUIRED



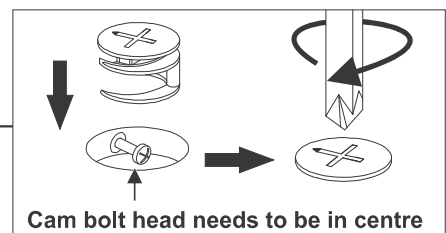
**X2**



Detail 1



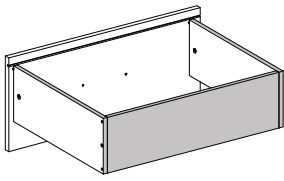
Detail 18





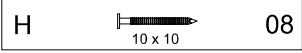
# STEP 27

**PARTS REQUIRED**

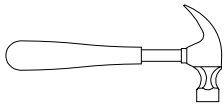


8 - SMALL DRAWER BOTTOM x2

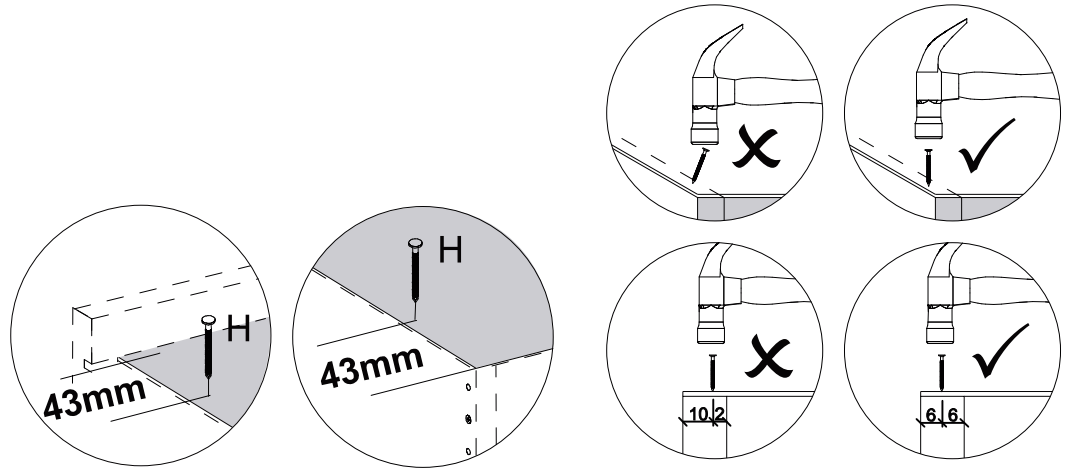
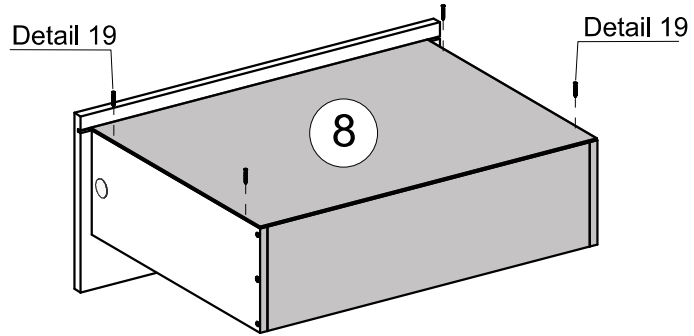
**HARDWARE REQUIRED**



**TOOLS REQUIRED**



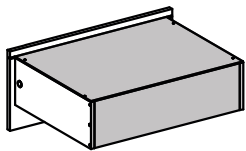
**X2**



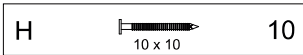
Detail 19

# STEP 28

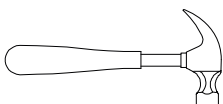
**PARTS REQUIRED**



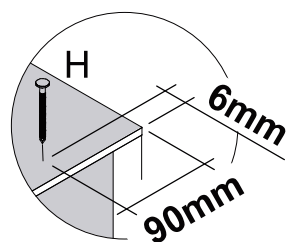
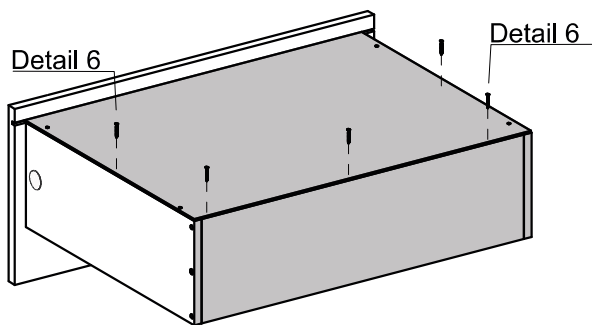
**HARDWARE REQUIRED**



**TOOLS REQUIRED**



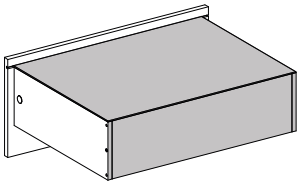
**X2**



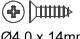
Detail 6

# STEP 29

**PARTS REQUIRED**



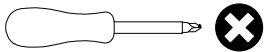
**HARDWARE REQUIRED**

C	 Ø4,0 x 14mm	08
---	---	----

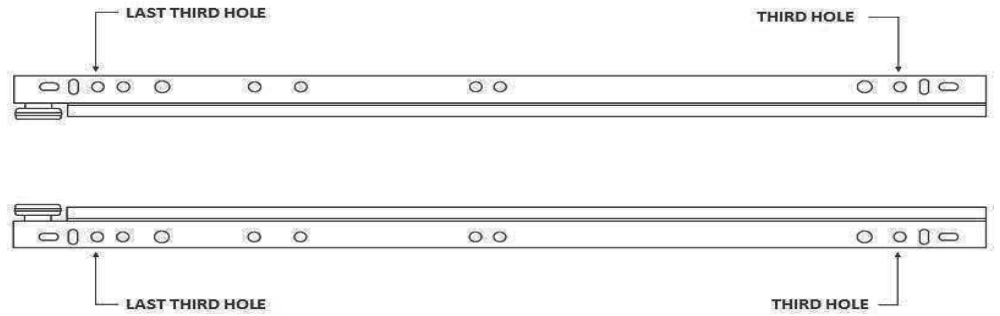
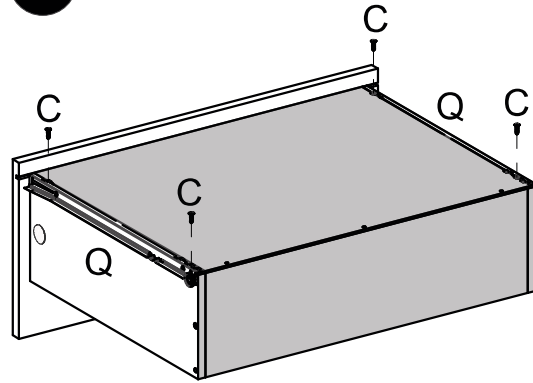
Q	LEFT	02
---	------	----

Q	RIGHT	02
---	-------	----

**TOOLS REQUIRED**

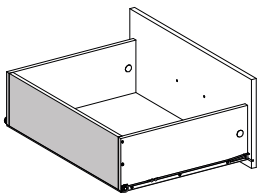


**X2**




# STEP 30

**PARTS REQUIRED**

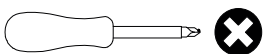


**HARDWARE REQUIRED**

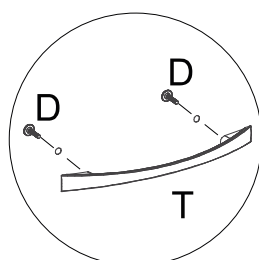
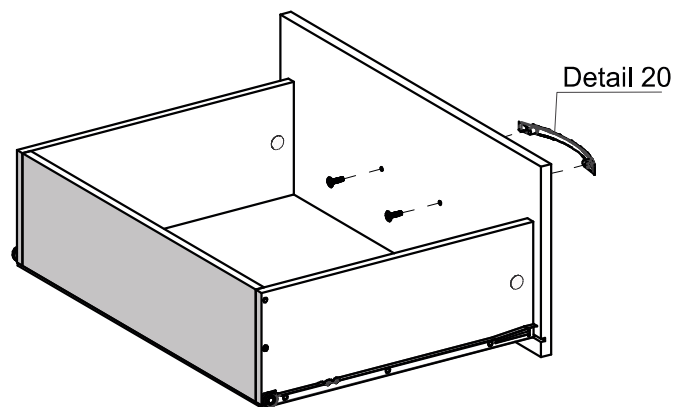
D	 Ø4,0 x 22mm	04
---	---	----

T		02
---	---	----

**TOOLS REQUIRED**



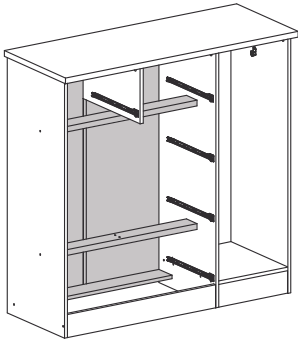
**X2**



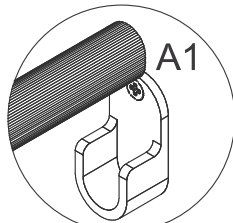
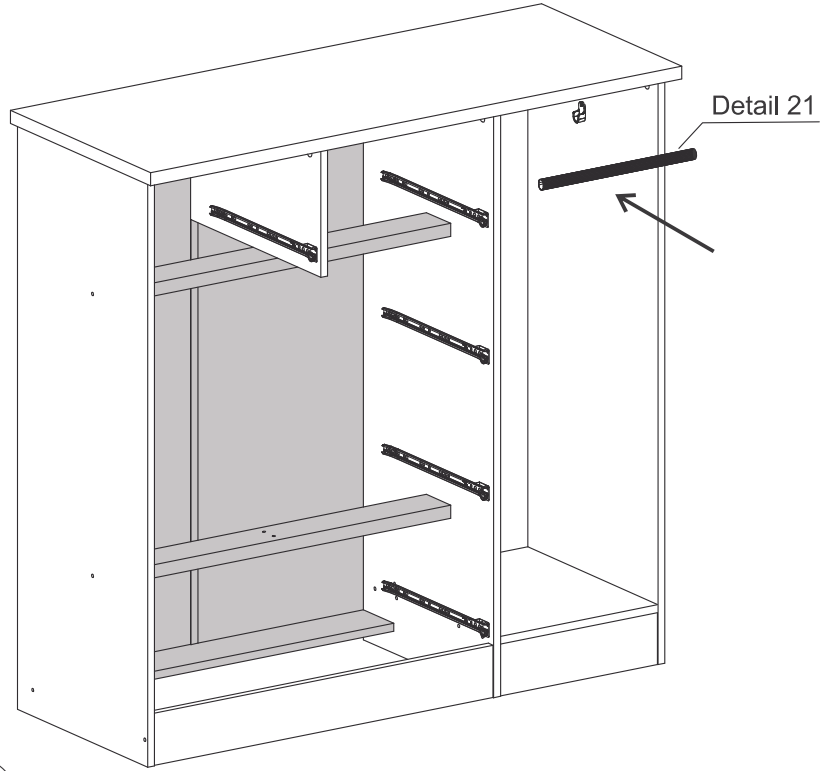
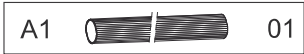
**Detail 20**

# STEP 31

**PARTS REQUIRED**



**HARDWARE REQUIRED**



Detail 21

# STEP 32

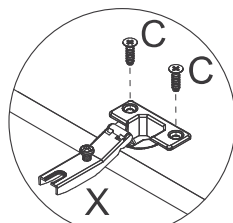
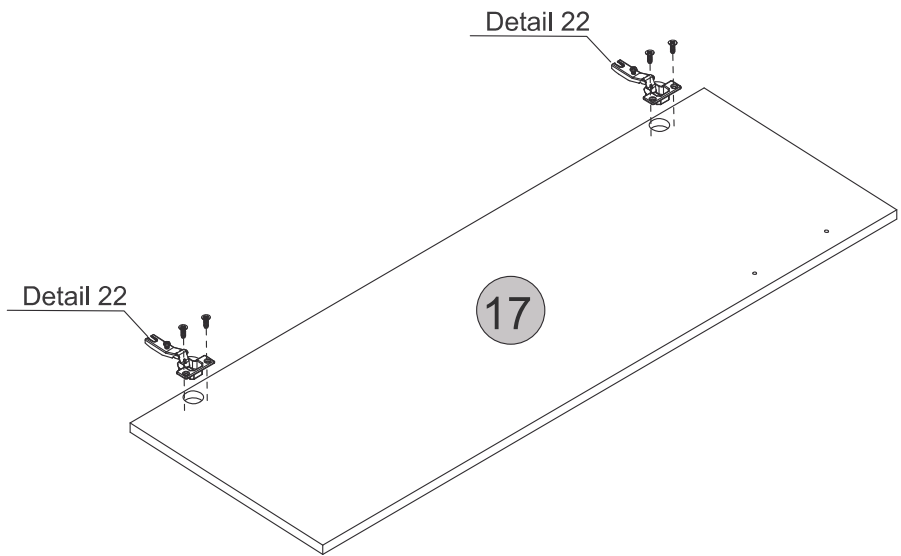
**PARTS REQUIRED**



**HARDWARE REQUIRED**



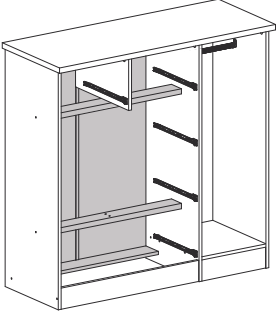
**TOOLS REQUIRED**



Detail 22

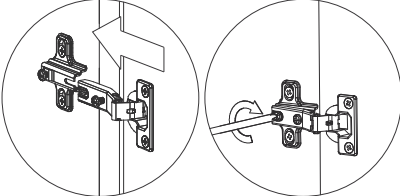
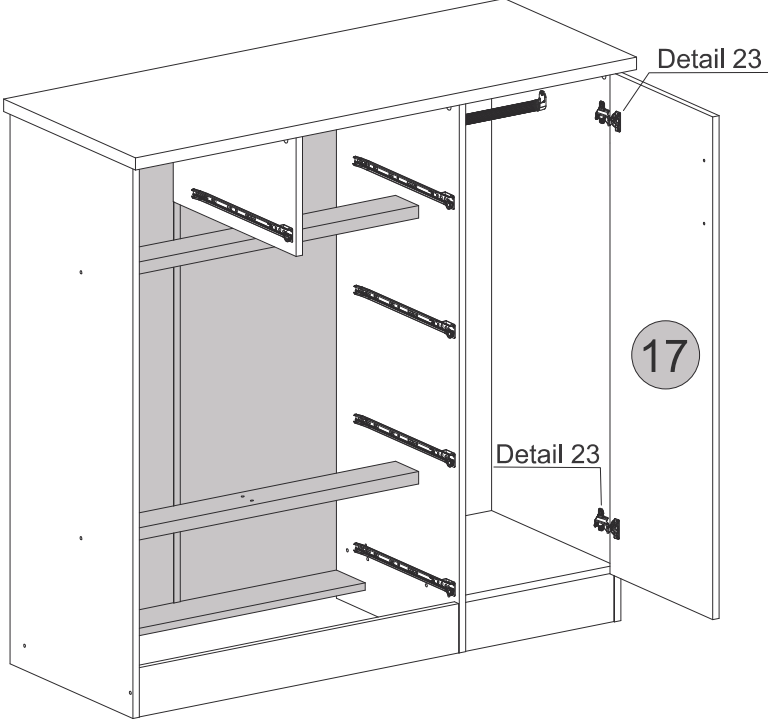
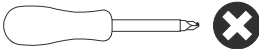
# STEP 33

### PARTS REQUIRED



17 - DOOR x1

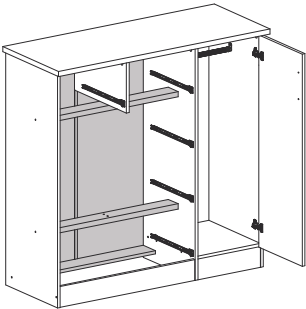
### TOOLS REQUIRED



Detail 23

# STEP 34

### PARTS REQUIRED

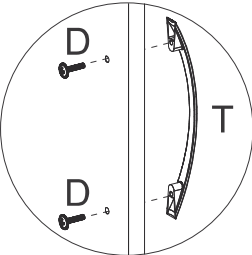
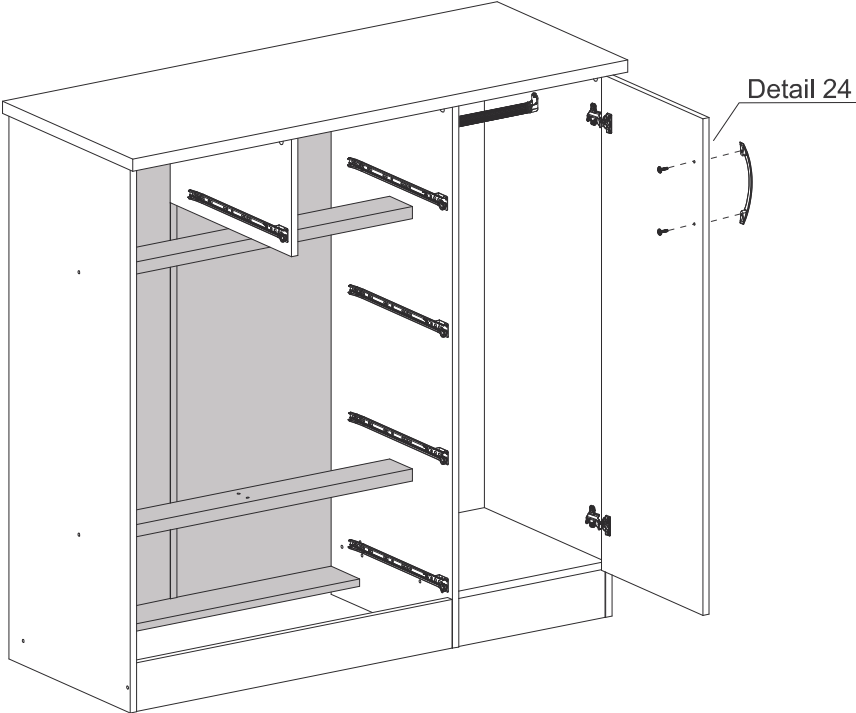
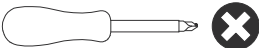


### HARDWARE REQUIRED

D  02  
Ø4,0 x 22mm

T  01

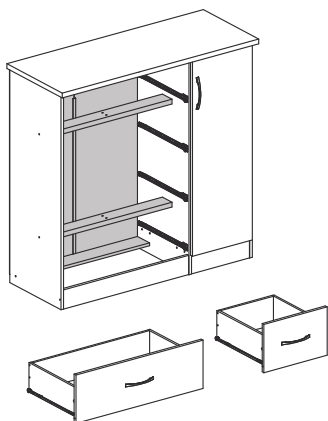
### TOOLS REQUIRED



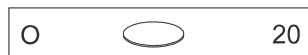
Detail 24

# STEP 35

## PARTS REQUIRED



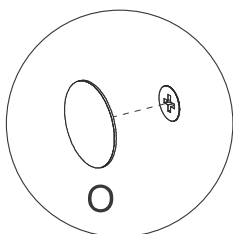
## HARDWARE REQUIRED



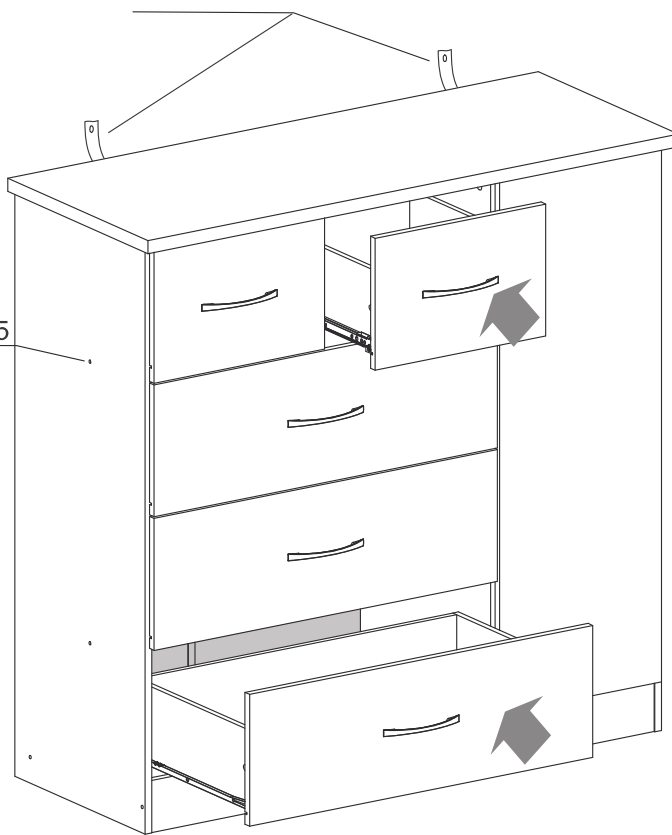
**TIP**  
If desired, after assembly use an alcohol cleaner to erase the number printed on the parts.

**!** See the last page

Detail 25

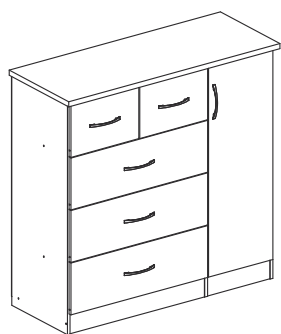


Detail 25

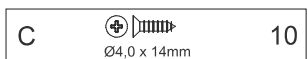


# STEP 36

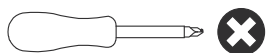
## PARTS REQUIRED



## HARDWARE REQUIRED



## TOOLS REQUIRED

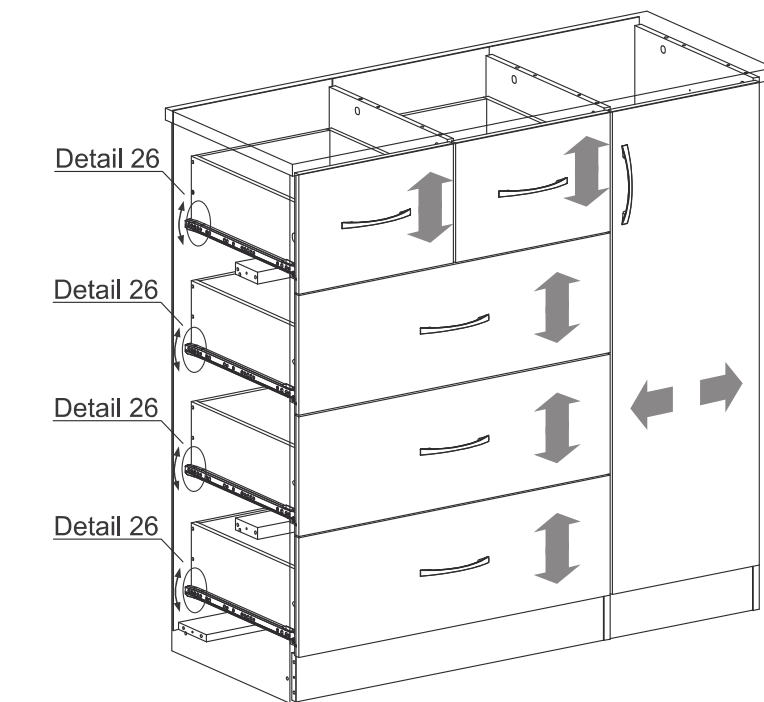


Detail 26

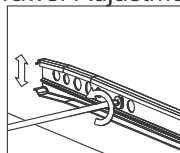
Detail 26

Detail 26

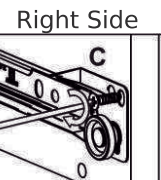
Detail 26



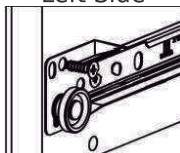
Drawer Adjustment



Drawer Lock

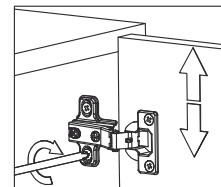


Left Side

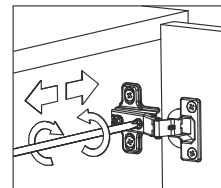


Detail 26

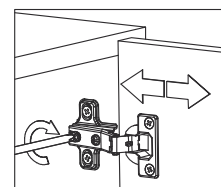
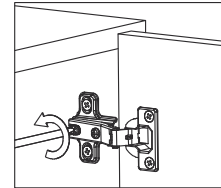
Height Adjustment



Internal Adjustment



Depth Adjustment



## WARNING

**Serious or fatal injuries can occur from furniture tipping over. To prevent the furniture from tipping over we recommend that it is permanently fixed to the wall.**

Wall fixings are not supplied with this product as different wall materials require different types of fixing devices. Please make sure you use fixings suitable for the walls in your home.

