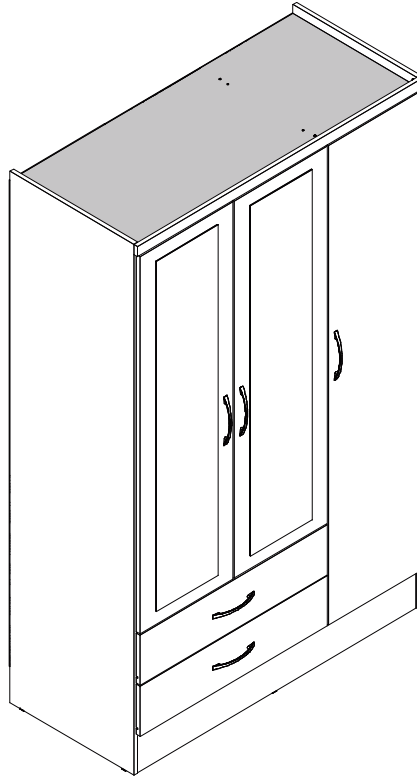


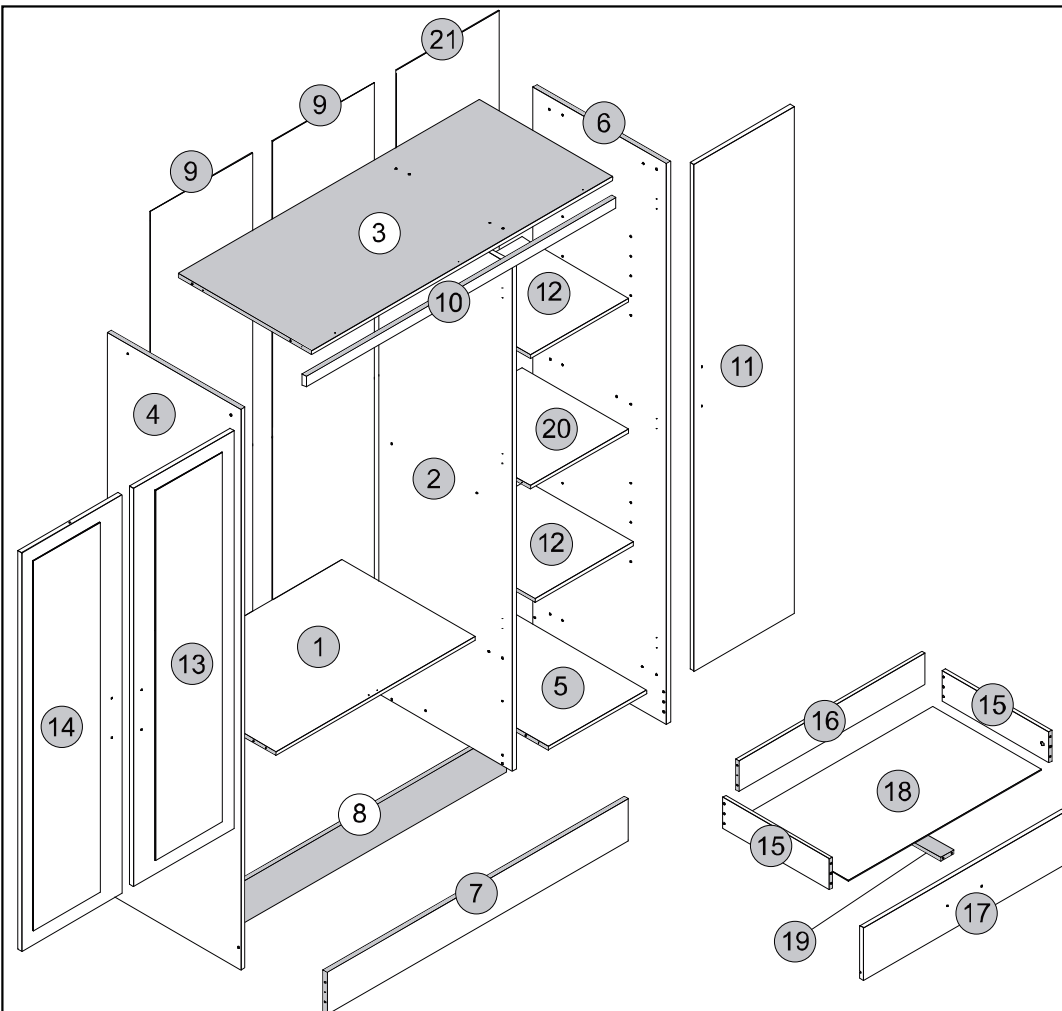
NEVADA 3 DOOR 2 DRAWER WARDROBE ASSEMBLY INSTRUCTIONS



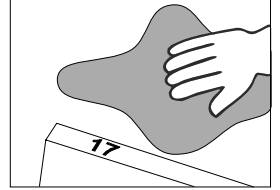
IMPORTANT FOR DOMESTIC USE ONLY PLEASE READ BEFORE YOU CONTINUE FURTHER CARE AND MAINTENANCE

After unpacking this product please keep the original packaging in case it needs to be returned for any reason.

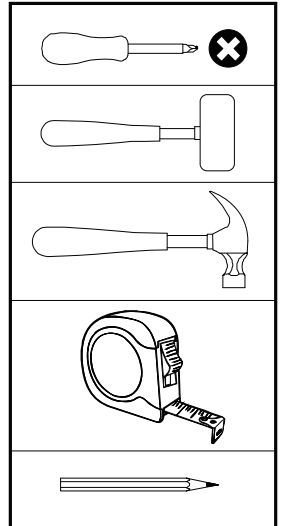
- Please ensure all fittings and parts are present before commencing with assembly.
- Never drag or push products as this could cause damage to the joints making it inferior.
- We strongly recommend that you keep children away from your work area.
- We recommend that you lay a blanket or sheet on the floor to avoid damage to both your floor and the product.
- Assemble this product as close to its final position as possible.
- Do not place this product next to a radiator or in direct sunlight.
- Do not drag or push items across your high gloss furniture as this may cause the surface to scratch
- Wood is a natural product and may expand if subjected to damp and may shrink or crack if subjected to heat. Therefore it is recommended that room temperature is maintained, with no sudden temperature fluctuations.
- Make sure any spillage is wiped off immediately.
- Do not place hot or chilled items directly on to the surface, use a place mat or marking will occur.
- For general cleaning use a soft cotton or micro fibre cloth, and do not use detergents of any kind.
- From time to time it may be necessary to tighten fittings, regular inspections should be carried out.
- Do not place on a wet or damp floor as staining may occur to your floor.



After assembly use an alcohol based product/cleaner to erase the numbers printed on the parts that are visual.



TOOLS REQUIRED




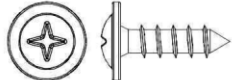

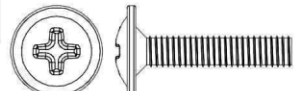
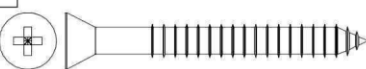
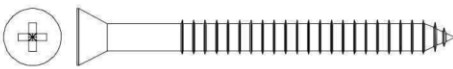


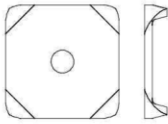
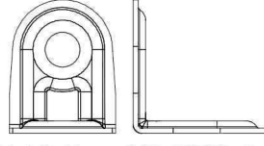

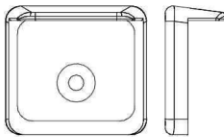
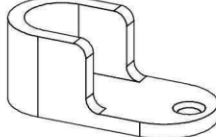
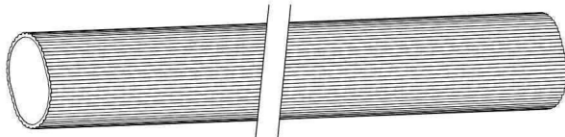
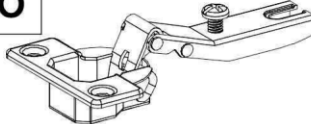

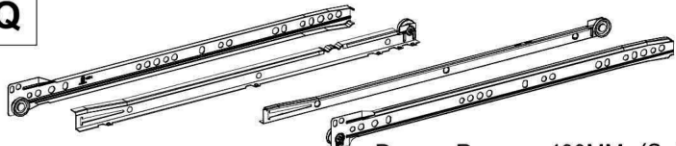





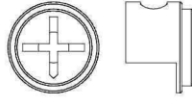
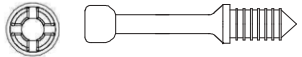
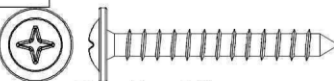
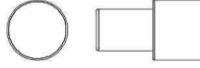

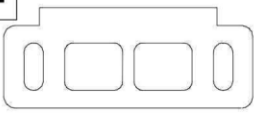
PARTS LIST

Please Note:

The below parts have all been stamped with the part number to help identify them during assembly.

Part Number	Part Description	Quantity	Carton
01	Large Base Panel	1	2/3
02	Division Panel	1	1/3
03	Top Panel	1	2/3
04	Left Side Panel	1	1/3
05	Small Base Panel	1	2/3
06	Right Side Panel	1	1/3
07	Front Baseboard	1	2/3
08	Back Baseboard	1	2/3
09	Small Back Panel	2	3/3
10	Frame	1	1/3
11	Large Door	1	3/3
12	Movable Shelf	2	2/3
13	Right Small Door	1	3/3
14	Left Small Door	1	3/3
15	Drawer Side	4	2/3
16	Drawer Back Panel	2	2/3
17	Drawer Front	2	2/3
18	Drawer Botom	2	1/3
19	Drawer Support Bar	2	2/3
20	Shelf	1	2/3
21	Large Back Panel	1	3/3

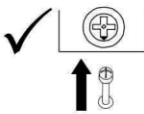
FITTINGS LIST

<p>A</p>  <p>Flat Head Screw Ø6,0 x 10mm (8x)</p> <p>1/+</p>	<p>B</p>  <p>Flan Head Screw Ø4,0 x 14mm (9x)</p> <p>1/+</p>	<p>C</p>  <p>Flat Head Screw Ø4,0 x 14mm (52x)</p> <p>2/+</p>	<p>D</p>  <p>Flan Head Screw Ø4,0 x 20mm (10x)</p> <p>2/+</p>
<p>E</p>  <p>Flat Head Screw Ø3,5 x 40mm (4x)</p> <p>1/+</p>	<p>F</p>  <p>Flat Head Screw Ø4,0 x 50mm (26x)</p> <p>2/+</p>	<p>G</p>  <p>2/+ Dowel Ø6,0 x 30mm (46x)</p>	
<p>H</p>  <p>Nail 10 x 10</p> <p>2/+ Nail 10x10 Ringed-1,5x23mm (88x)</p>	<p>I</p>  <p>2/+ Back Panel Bracket 14x14mm (16x)</p>	<p>J</p>  <p>1/+ 'L' Metallic Support 18x18MM (7x)</p>	<p>K</p>  <p>1/+ Washer Ø16x7 (4x)</p>
<p>L</p>  <p>1/+ Plastic Foot L 19x17x8mm Ø2 (6x)</p>	<p>M</p>  <p>Hanging Rail Support Plastic (2X)</p>	<p>N</p>  <p>Hanging Rail 737x30X16X0,60MM (1x)</p>	
<p>O</p>  <p>Hinge 26MM High Lap (9x)</p>	<p>P</p>  <p>Hinge Plate 26MM D5 (9x)</p>	<p>Q</p>  <p>Drawer Runners 400MM (2x)</p>	
<p>R</p>  <p>Back Panel Stri H 1633x19x3,8MM (1x)</p>		<p>S</p>  <p>Strap 200x20x1MM (2x)</p>	<p>T</p>  <p>Handle (5x)</p>
<p>U</p>  <p>2/+ Hole Plugs 19MM (14 x)</p>	<p>V</p>  <p>Glue 10Gr (2x)</p>	<p>W</p>  <p>1/+ Cam Nut Ø12x8,8MM (4x)</p>	<p>X</p>  <p>1/+ Cam Bolt (4x)</p>
<p>Y</p>  <p>Flan Head Screw Ø3,5 x 30mm (2x)</p> <p>1/+</p>	<p>Z</p>  <p>1/+ Support Pin 7x6mm (8x)</p>	<p>A1</p>  <p>Flat Head Screw Ø4,0 x 12mm (18x)</p> <p>2/+</p>	<p>B1</p>  <p>Door Support L42xP27xA28MM (2x)</p>

TIPS FOR FITTINGS CAM-LOCKS

C1	
	+1/2 Hole PlugsLineo 19mm (8 x)

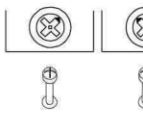
WHEN FITTING CAM NUT. ENSURE STARTING POSITION IS CORRECT BEFORE YOU INSERT CONNECTING CAM BOLT TURN CLOCKWISE UNTIL SECURE



✓

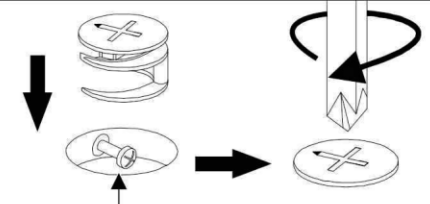
↑

CORRECT



✗

WRONG



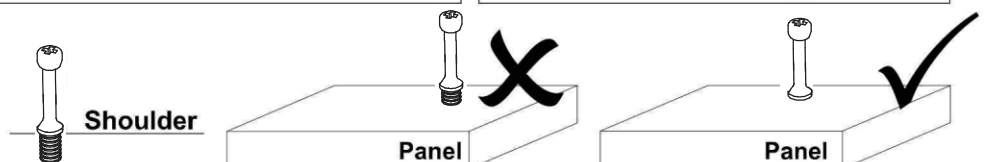
↓

↑

→

Cam bolt head needs to be in centre

CAMBOLT
Tighten until shoulder in flush with panel. Do not overtighten or undertighten (see example beside)




STEP 1

PARTS REQUIRED

2 - DIVISION PANEL x1

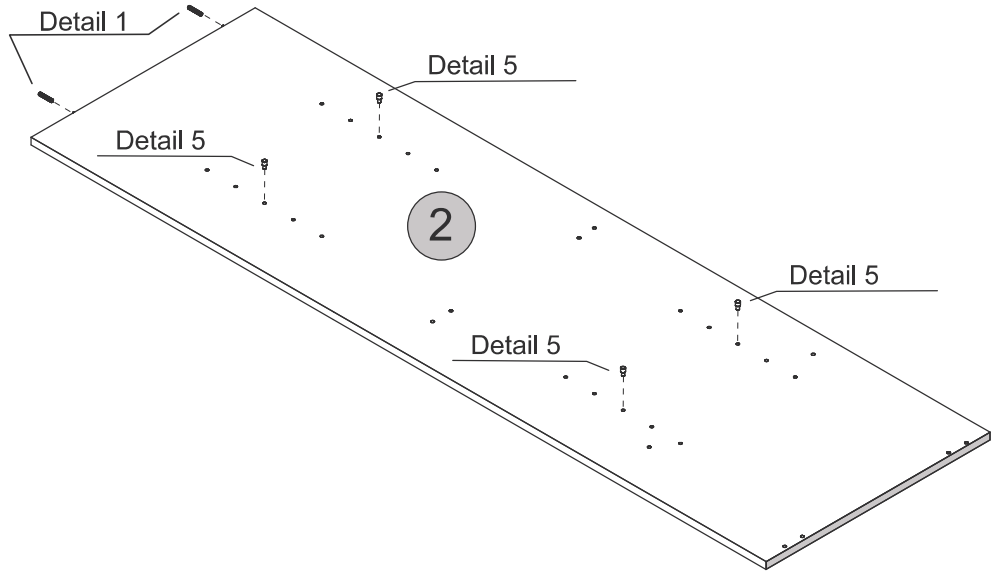
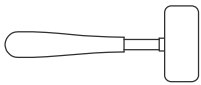
HARDWARE REQUIRED

G  02
Ø6,0 x 30mm

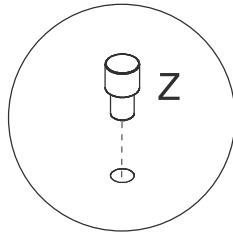
V  01
Glue

Z  04

TOOLS REQUIRED



Detail 1




Detail 5

STEP 2

PARTS REQUIRED

2 - DIVISION PANEL x1

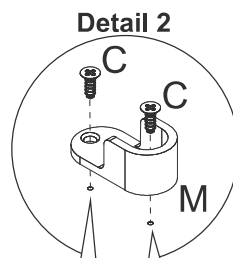
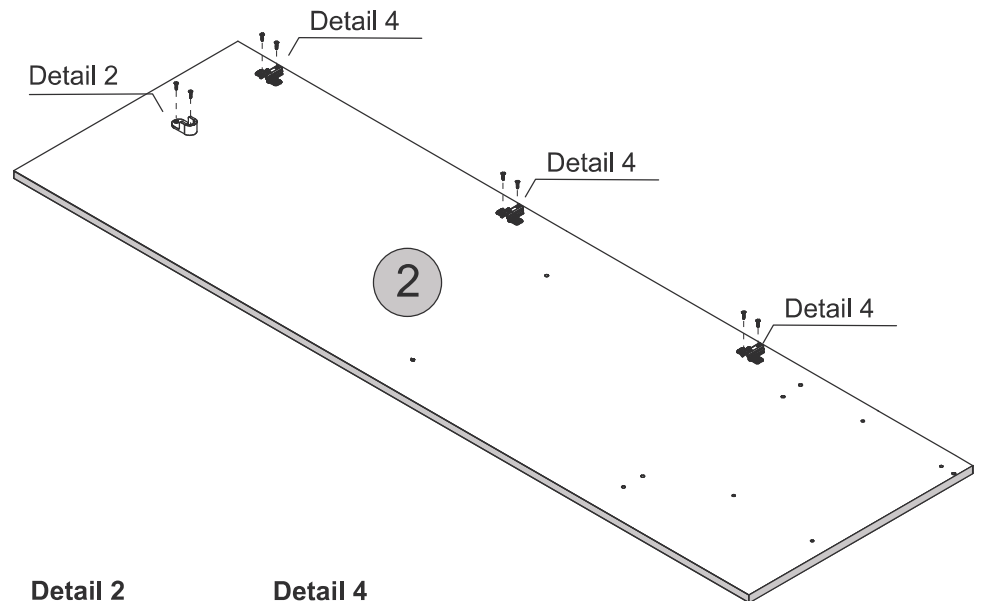
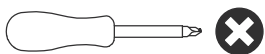
HARDWARE REQUIRED

C  08
Ø4,0 x 14mm

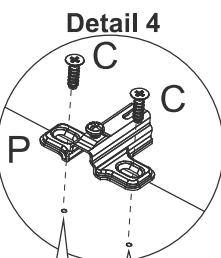
M  01

P  03

TOOLS REQUIRED



Please note:
Pre-marked
Holes




Please note:
Pre-marked
Holes

STEP 3

PARTS REQUIRED

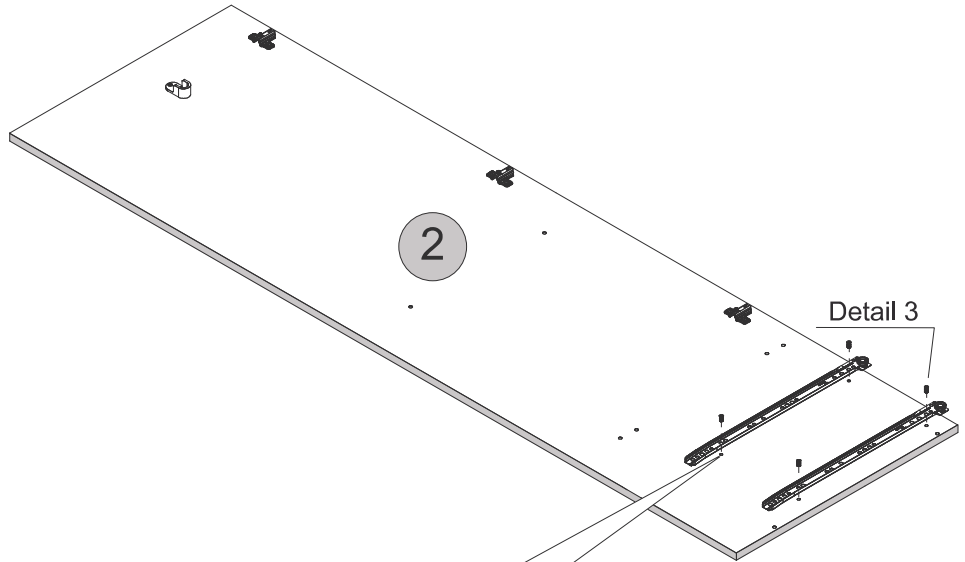
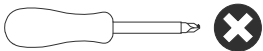
2 - DIVISION PANEL x1

HARDWARE REQUIRED

A  04
Ø6,0 x 10mm

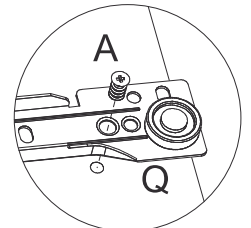
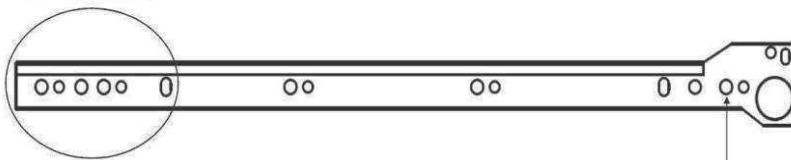
Q  02
Right

TOOLS REQUIRED



PLEASE NOTE
PRE-DRILLED
HOLES.

PRE - DRILLED HOLE



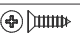
Detail 3

STEP 4

PARTS REQUIRED

4 - LEFT SIDE PANEL x1

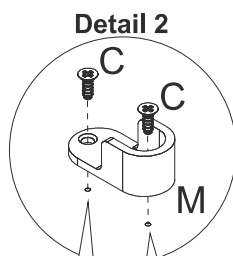
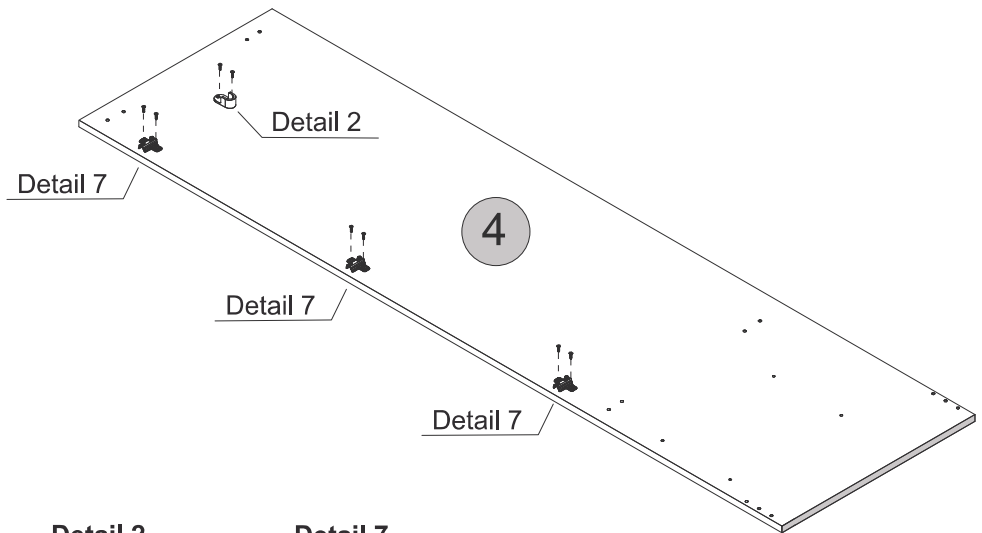
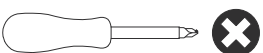
HARDWARE REQUIRED

C  08
Ø4,0 x 14mm

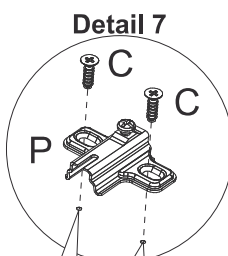
M  01

P  03

TOOLS REQUIRED



Please note:
Pre-marked
Holes



Please note:
Pre-marked
Holes

STEP 5

PARTS REQUIRED

4 - LEFT SIDE PANEL x1

HARDWARE REQUIRED

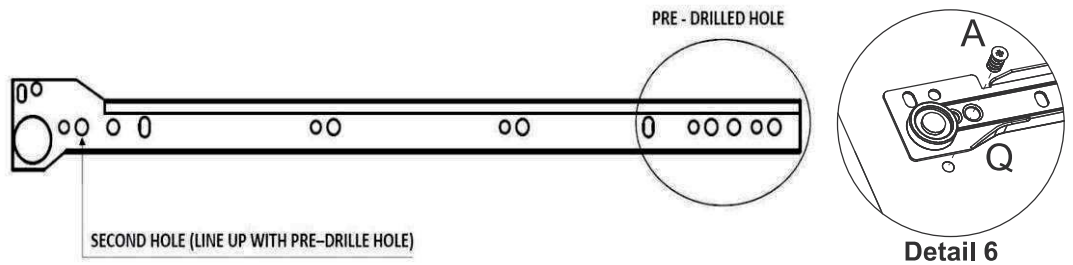
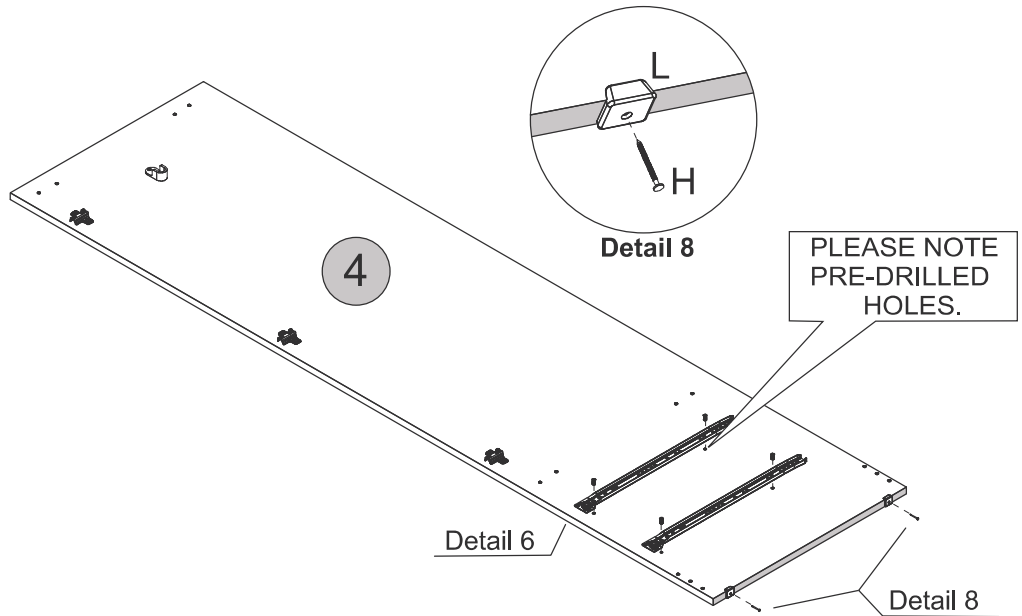
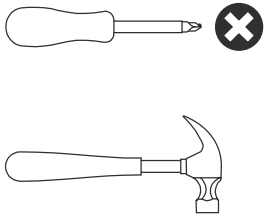
A  04
Ø6,0 x 10mm

H  02

L  02

Q  02

TOOLS REQUIRED

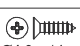


STEP 6

PARTS REQUIRED

6 - RIGHT SIDE PANEL x1

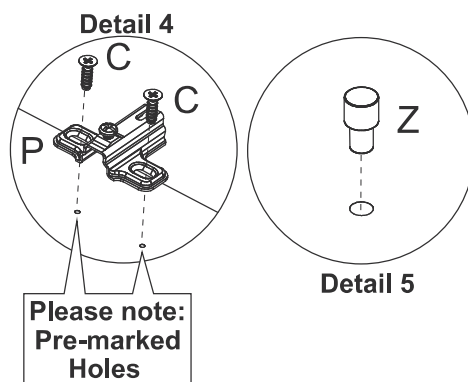
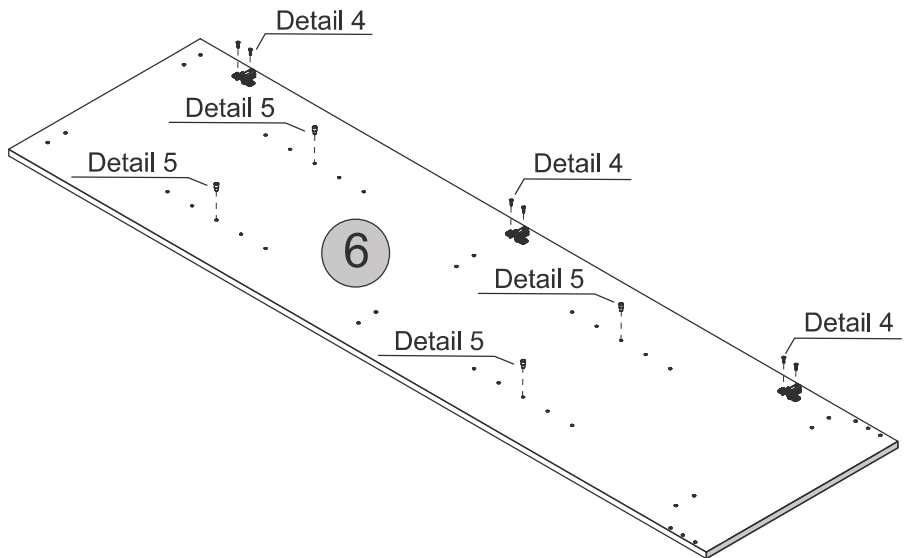
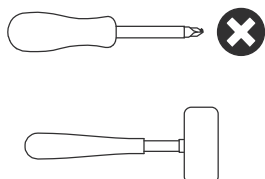
HARDWARE REQUIRED

C  06
Ø4,0 x 14mm

P  03

Z  04

TOOLS REQUIRED



STEP 7

PARTS REQUIRED

6 - RIGHT SIDE PANEL x1

7 - FRONT BASEBOARD x1

8 - BACK BASEBOARD x1

HARDWARE REQUIRED

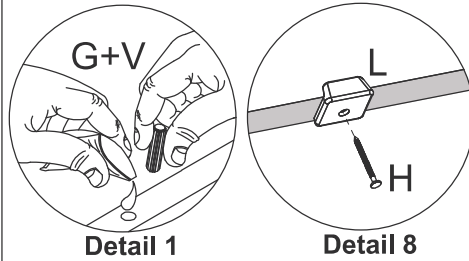
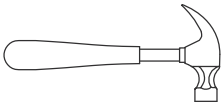
G  08
Ø6,0 x 30mm

H  04

L  04

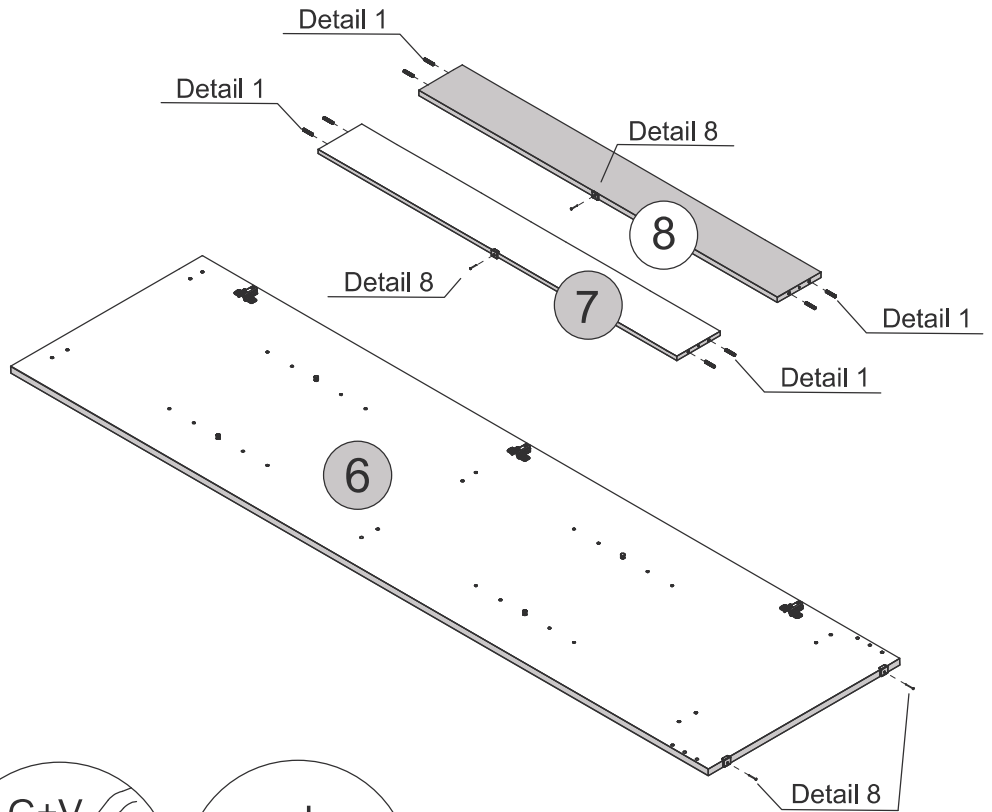
V  01

TOOLS REQUIRED



Detail 1

Detail 8



STEP 8

PARTS REQUIRED

1 - LARGE BASE PANEL x1

3 - TOP PANEL x1

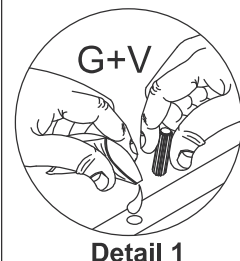
5 - SMALL BASE PANEL x1

20 - SHELF x1

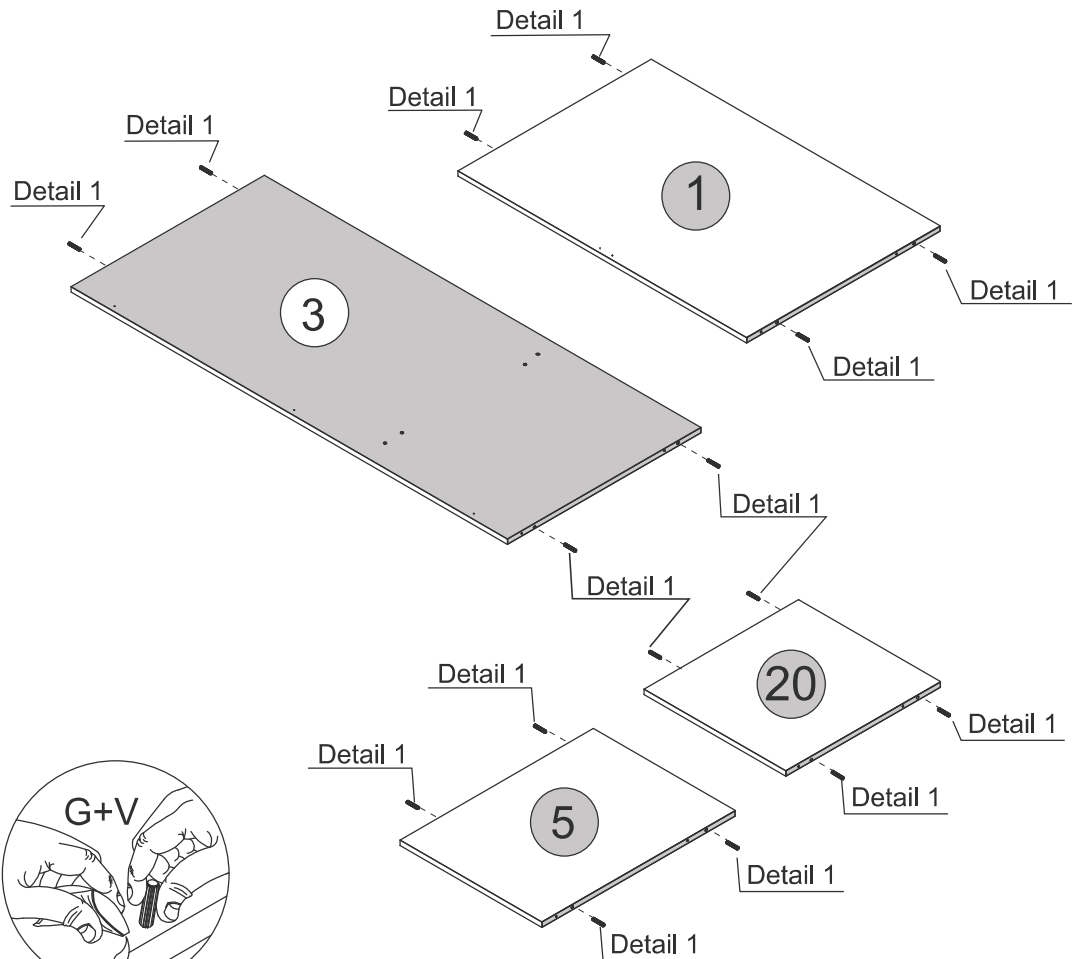
HARDWARE REQUIRED

G  16
Ø6,0 x 30mm

V  01



Detail 1






STEP 9

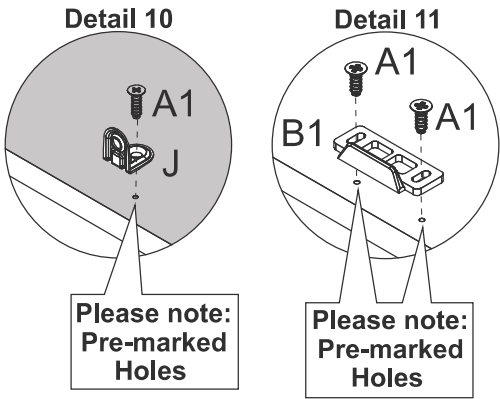
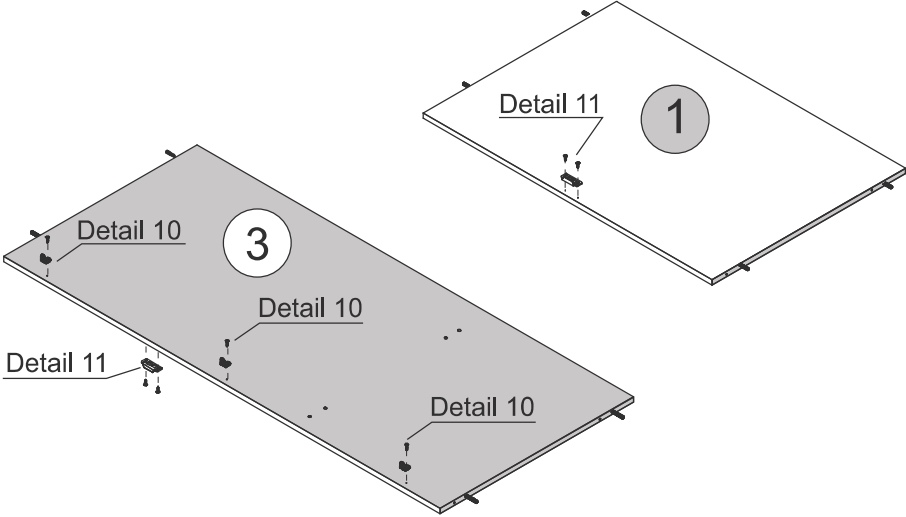
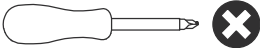
PARTS REQUIRED

- 1 - LARGE BASE PANEL x1
- 3 - TOP PANEL x1

HARDWARE REQUIRED

- A1  07
Ø4,0 x 12mm
- B1  02
- J  03

TOOLS REQUIRED

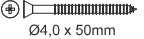



STEP 10

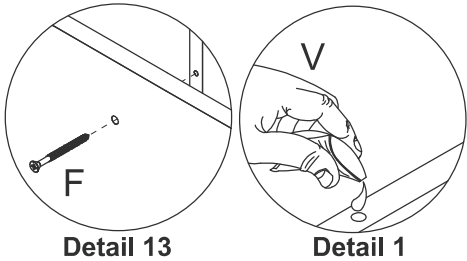
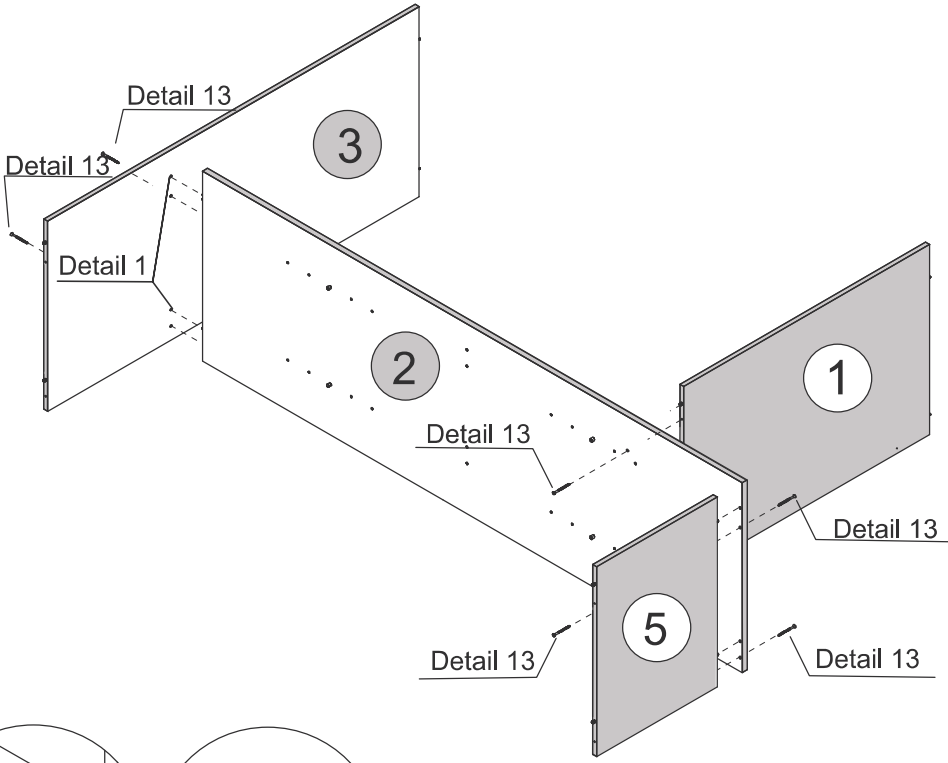
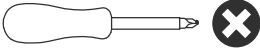
PARTS REQUIRED

- 1 - LARGE BASE PANEL x1
- 2 - DIVISION PANEL x1
- 3 - TOP PANEL x1
- 5 - SMALL BASE PANEL x1

HARDWARE REQUIRED

- F  06
Ø4,0 x 50mm
- V  01

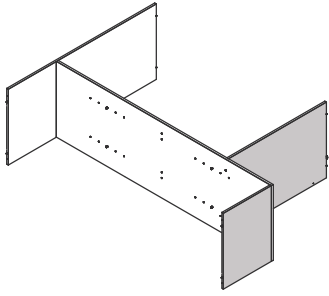
TOOLS REQUIRED



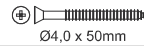
STEP 11

PARTS REQUIRED

4 - LEFT SIDE PANEL x1

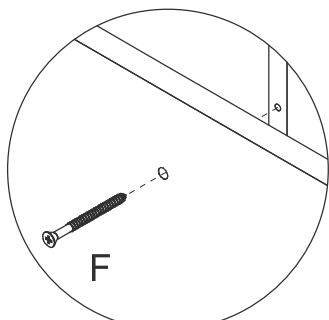
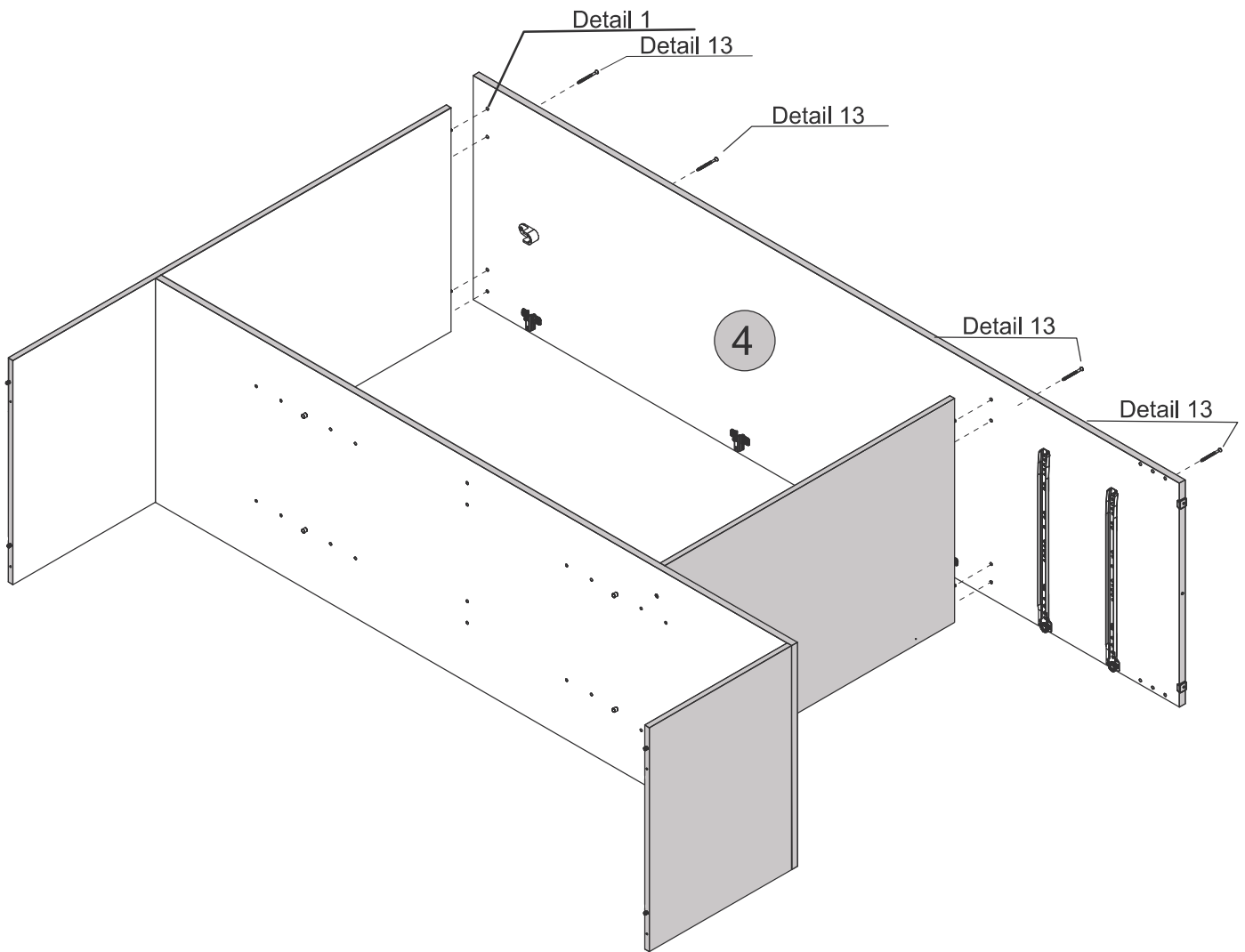
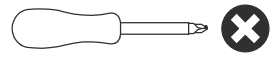


HARDWARE REQUIRED

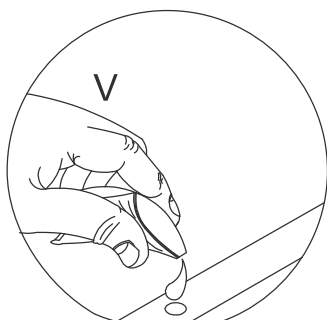
F  04
Ø4,0 x 50mm

V  01

TOOLS REQUIRED



Detail 13



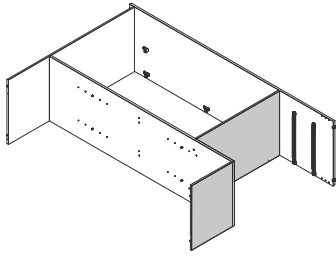
Detail 1

STEP 12

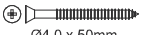

PARTS REQUIRED

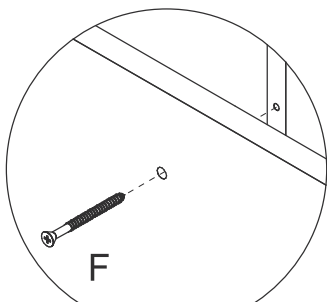
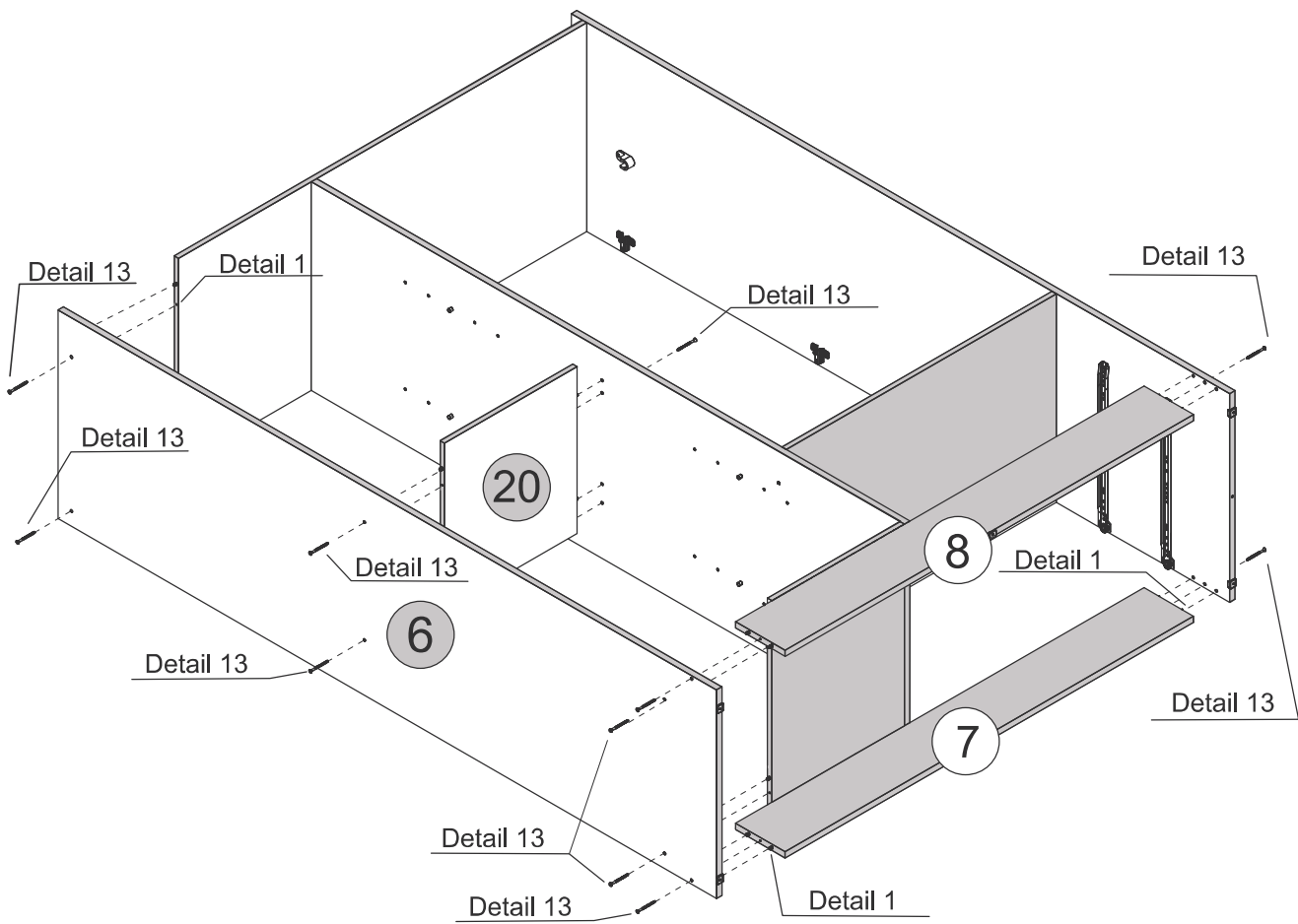
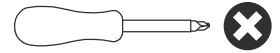
HARDWARE REQUIRED

TOOLS REQUIRED

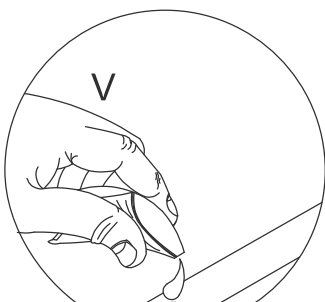


6 - RIGHT SIDE PANEL	x1
7 - FRONT BASEBOARD	x1
8 - BACK BASEBOARD	x1
20 - SHELF	x1

F	 Ø4,0 x 50mm	12
V	 Glue	01



Detail 13

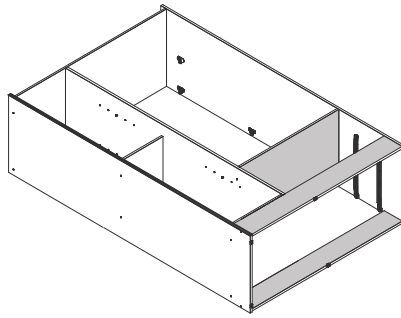


Detail 1



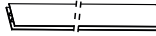
STEP 13

PARTS REQUIRED

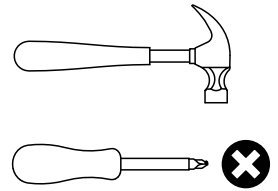
- 9 - SMALL BACK PANEL x2
- 21 - LARGE BACK PANEL x1



HARDWARE REQUIRED

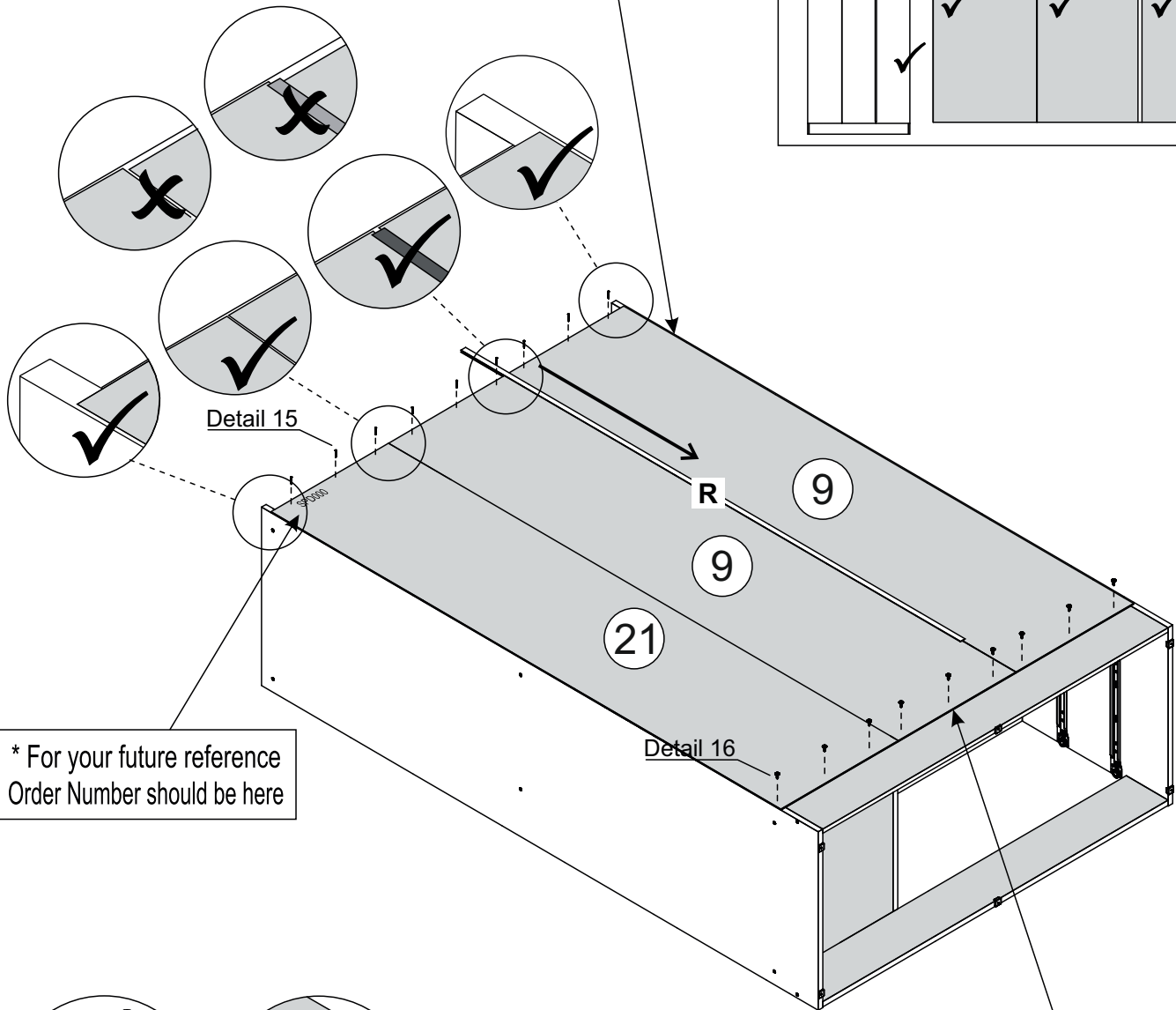
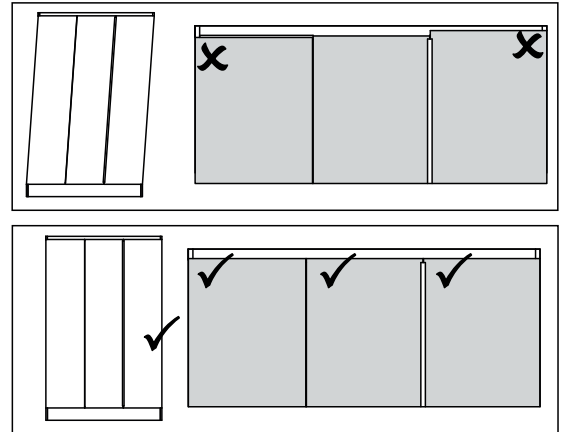
- B  09
- H  09
- R  01

TOOLS REQUIRED



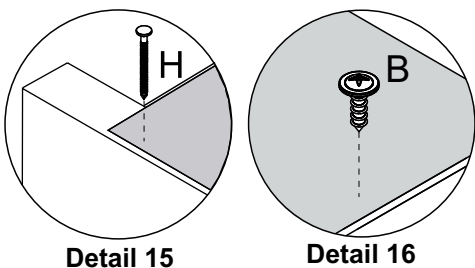
IMPORTANT PLEASE FOLLOW !

Please make sure Part 9/21 is lined up correctly at the top before placing fitting H into the panel as this can affect the alignment of the doors once assembled.



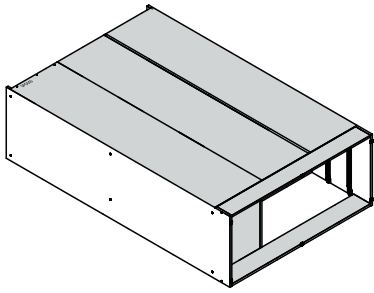
IMPORTANT PLEASE FOLLOW !

Please make sure Part 9/21 isn't overhanging at the sides before you screw fitting B into the plinth.

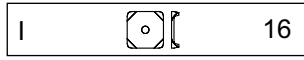


STEP 14

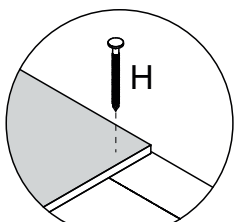
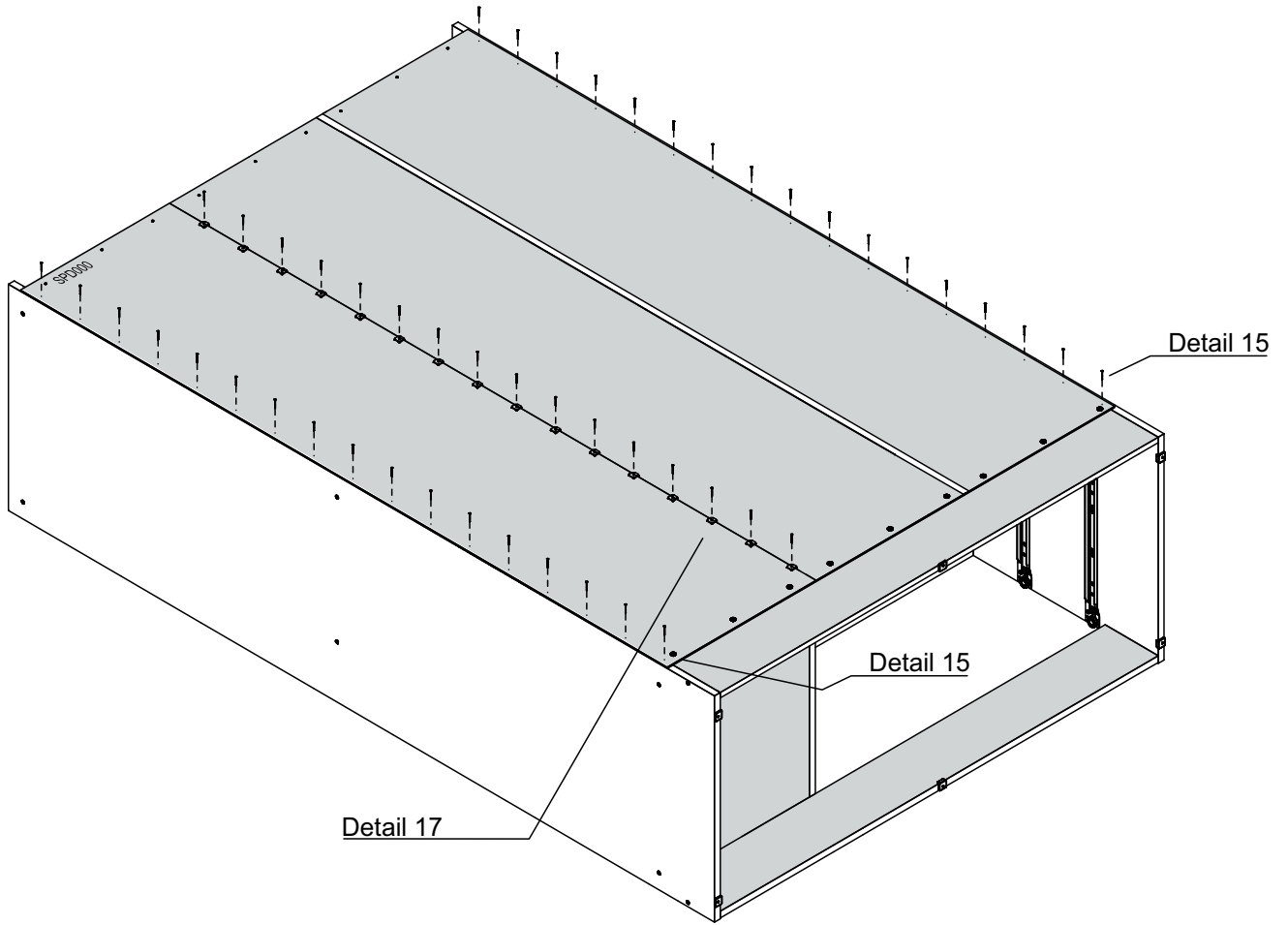
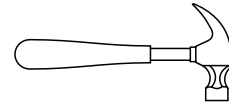
PARTS REQUIRED



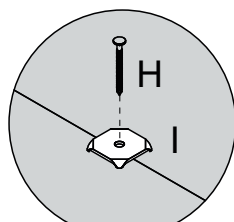
HARDWARE REQUIRED



TOOLS REQUIRED



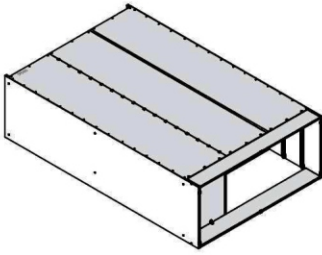
Detail 15



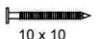
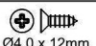

Detail 17

STEP 15

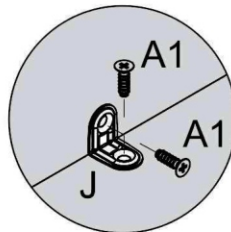
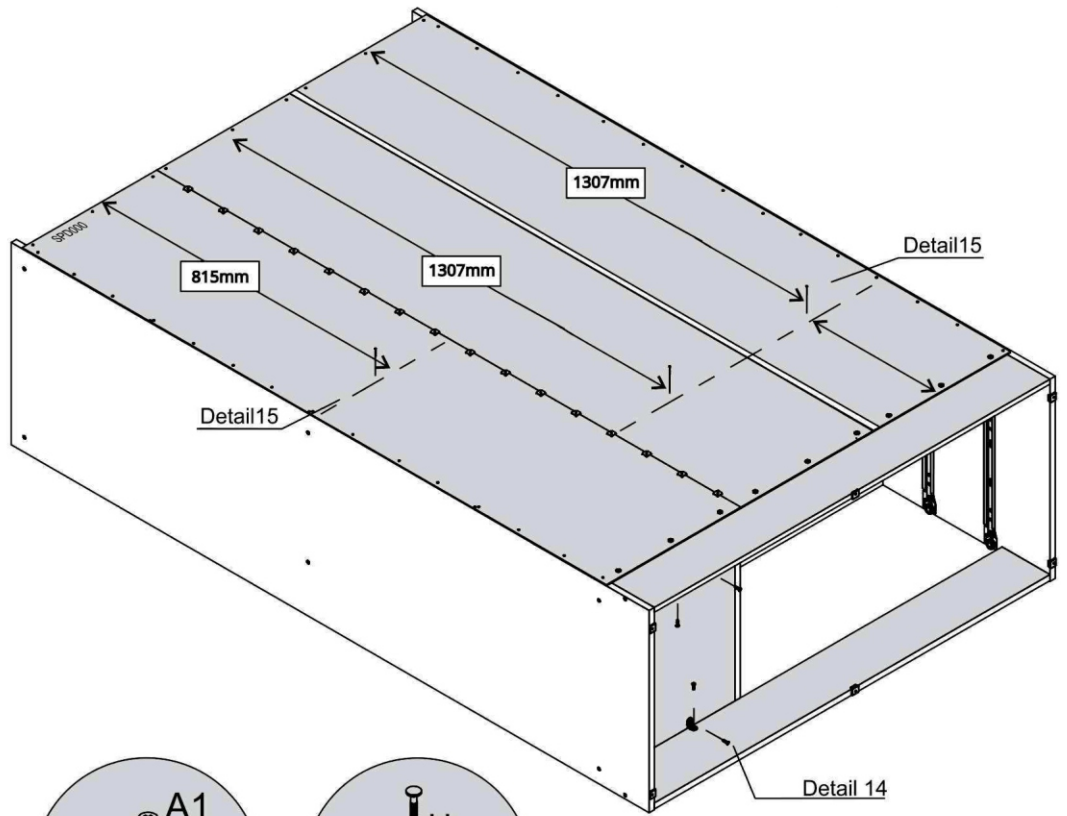
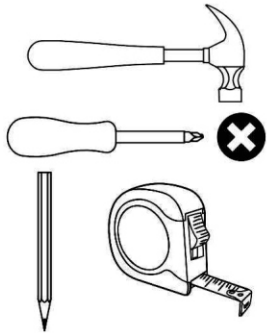
PARTS REQUIRED



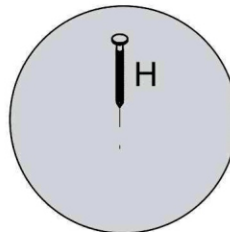
HARDWARE REQUIRED

H	 10 x 10	03
A1	 Ø4,0 x 12mm	04
J		02

TOOLS REQUIRED



Detail 14

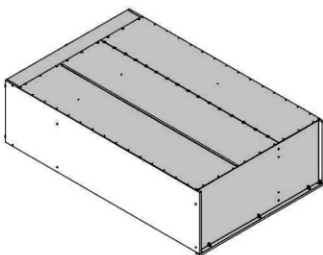


Detail 15


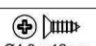
STEP 16

PARTS REQUIRED

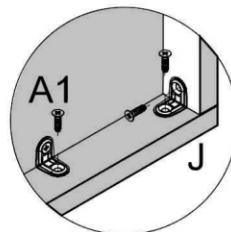
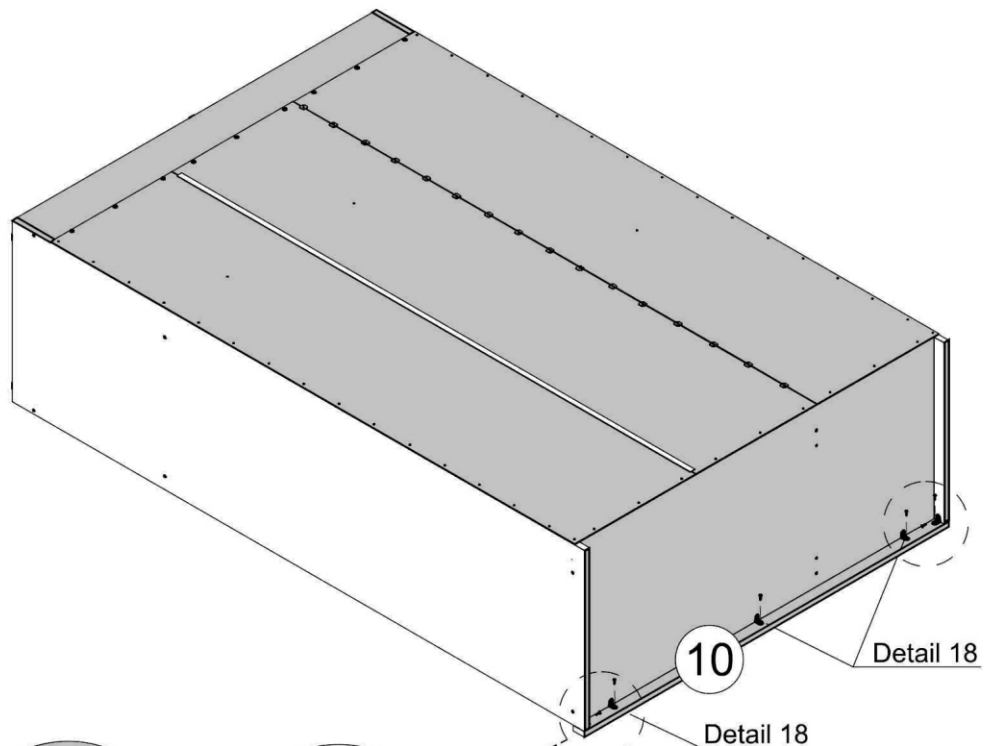
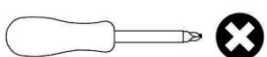
10 - FRAME	x1
------------	----



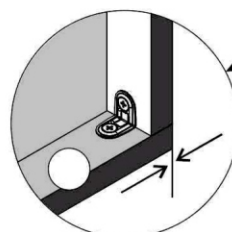
HARDWARE REQUIRED

J		02
A1	 Ø4,0 x 12mm	07

TOOLS REQUIRED



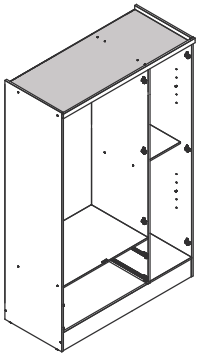
Detail 18



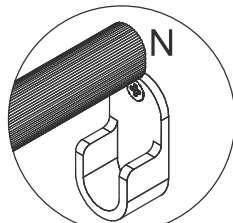
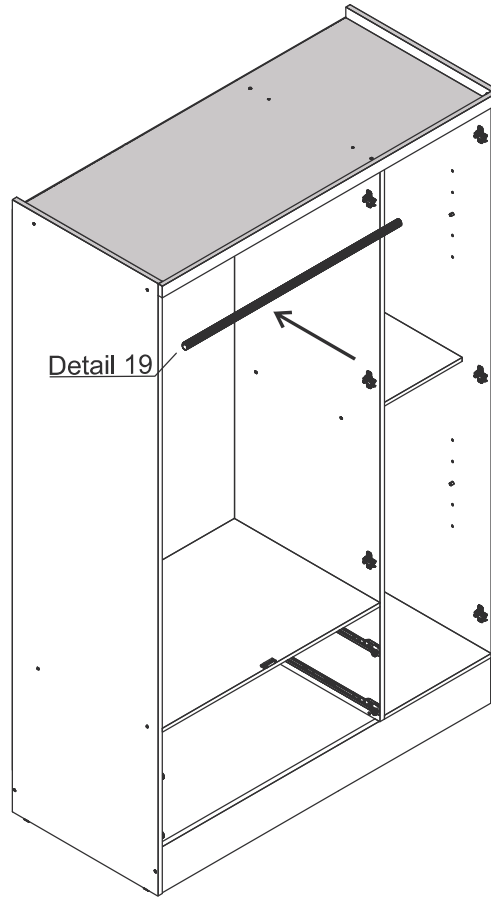
Align corners

STEP 17

PARTS REQUIRED



HARDWARE REQUIRED



Detail 19

STEP 18

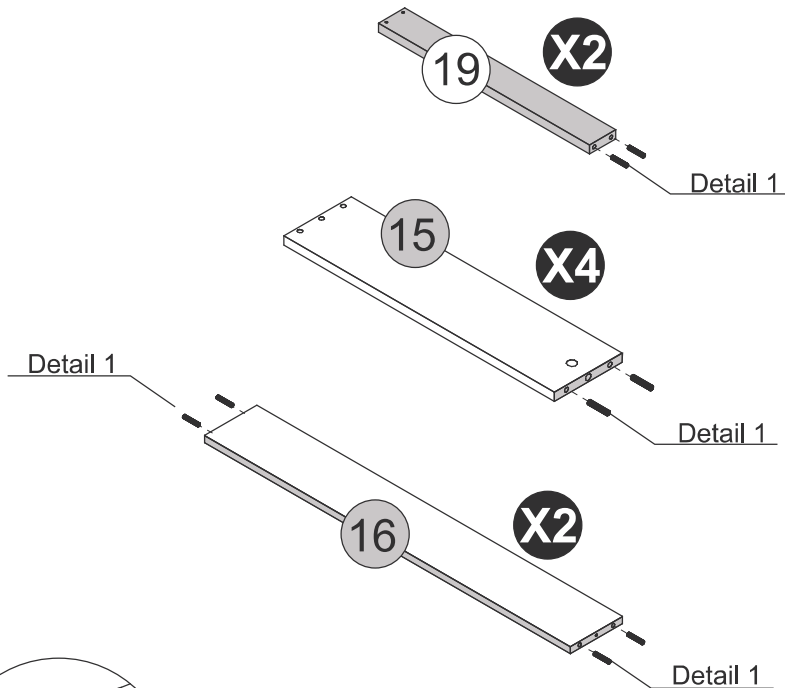
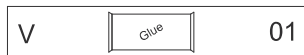
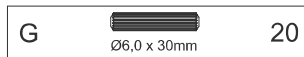
PARTS REQUIRED

15 - DRAWER SIDE x4

16 - DRAWER BACK PANEL x2

19 - DRAWER BOTTOM SUPPORT BAR x2

HARDWARE REQUIRED




Detail 1

STEP 19

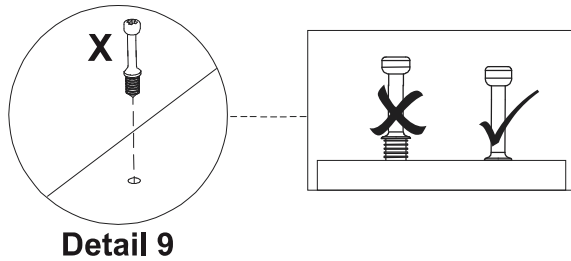
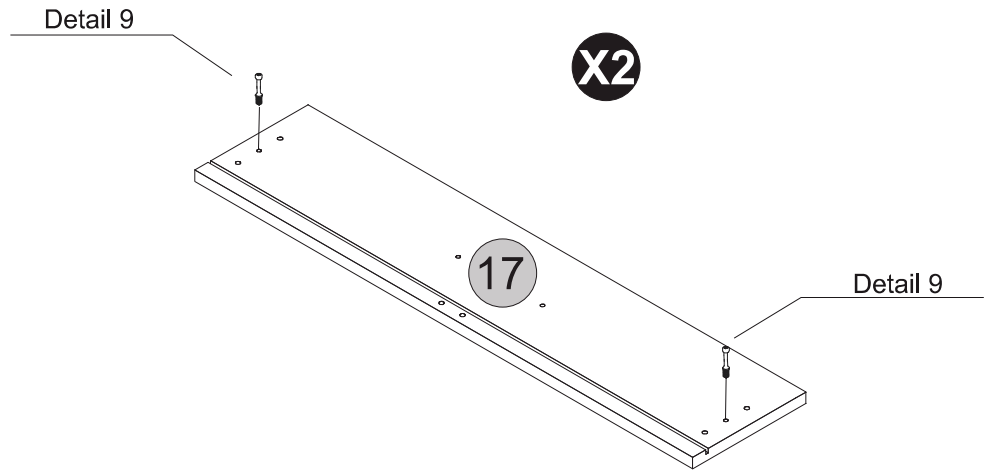
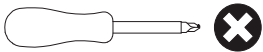
PARTS REQUIRED

17 - DRAWER FRONT x2

HARDWARE REQUIRED

X  04

TOOLS REQUIRED



STEP 20

PARTS REQUIRED

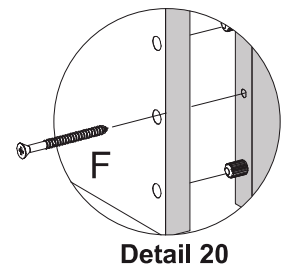
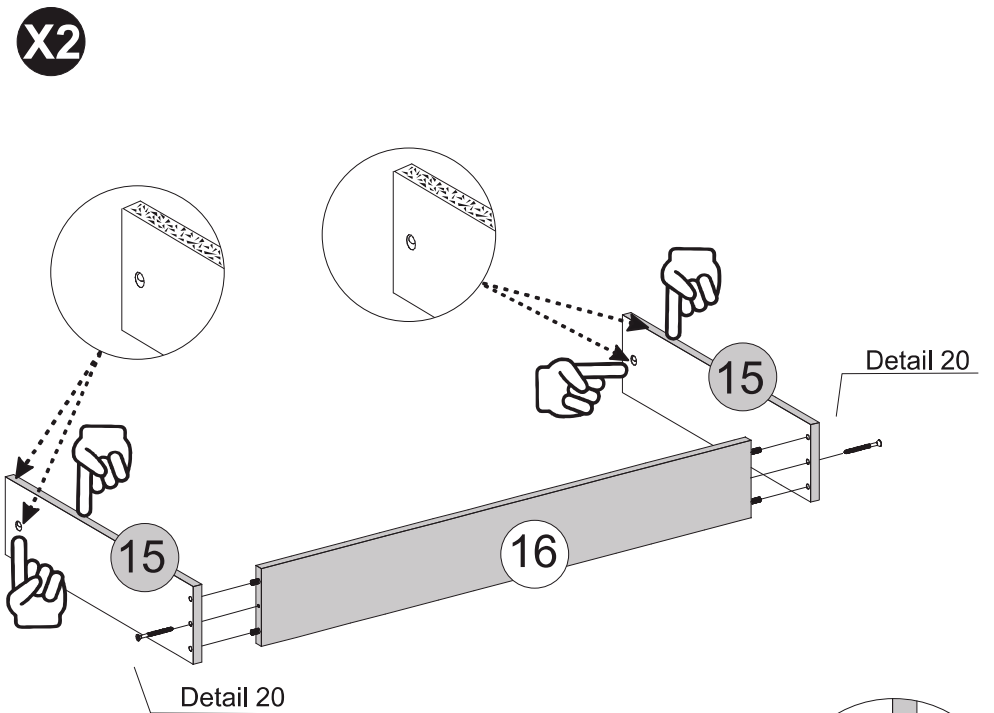
15 - DRAWER SIDE x4

16 - DRAWER BACK PANEL x2

HARDWARE REQUIRED

F  Ø4,0 x 50mm 04

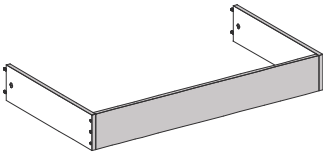
TOOLS REQUIRED



STEP 21

PARTS REQUIRED

17 - DRAWER FRONT x2



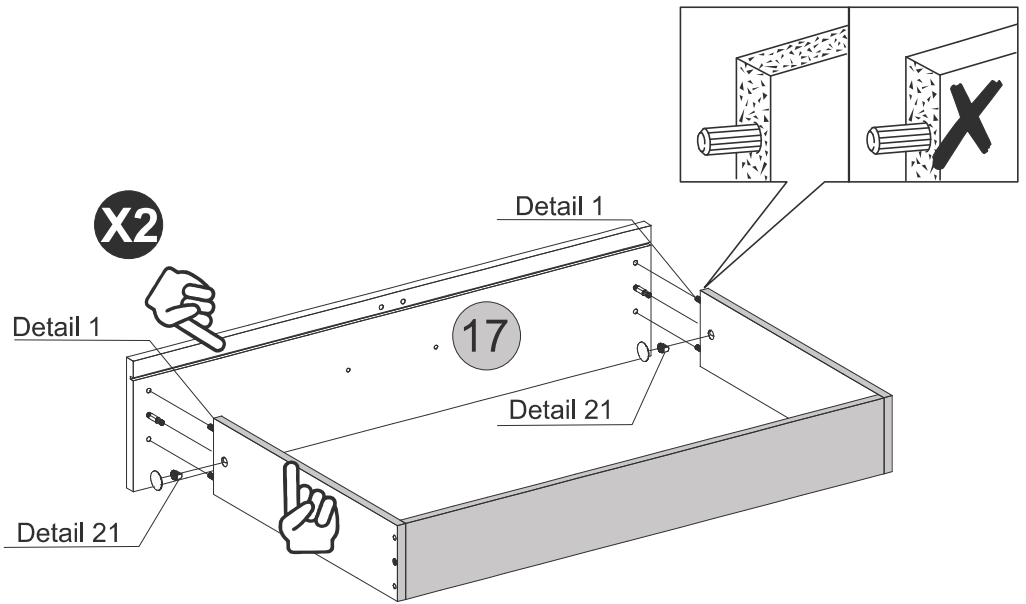
HARDWARE REQUIRED

C1  04

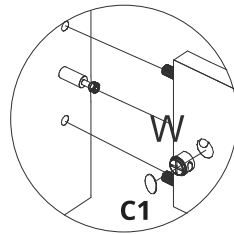
V  01

W  04

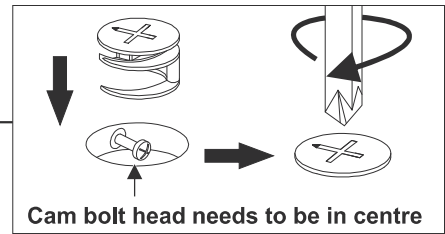
TOOLS REQUIRED



Detail 1



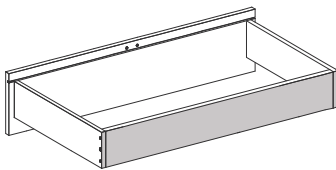
Detail 21



STEP 22

PARTS REQUIRED

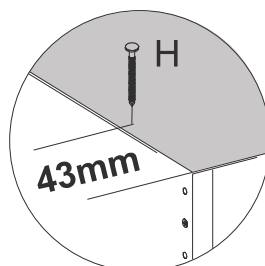
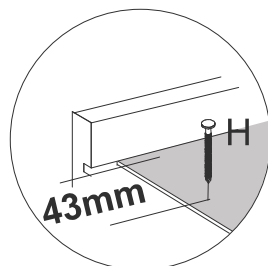
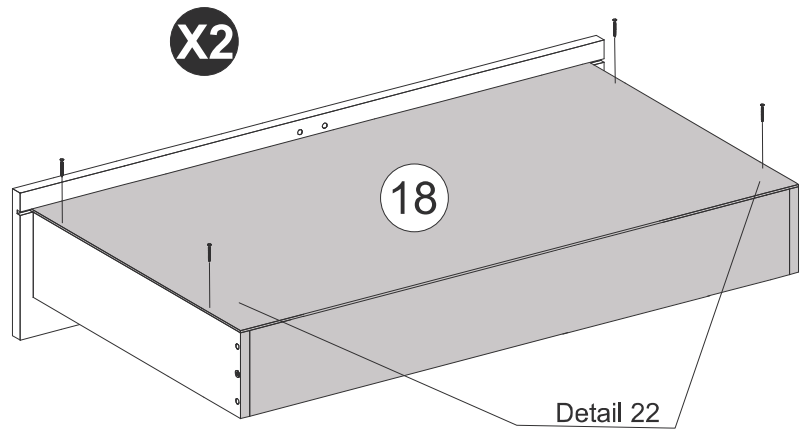
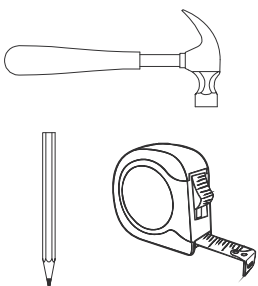
18 - DRAWER BOTTOM x2



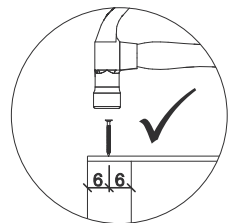
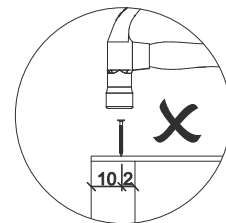
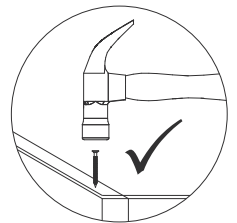
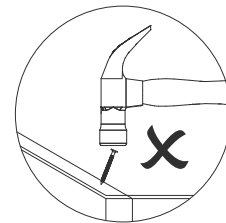
HARDWARE REQUIRED

H  10 x 10 08

TOOLS REQUIRED



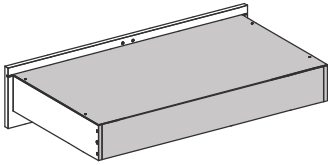
Detail 22




STEP 23


PARTS REQUIRED

19 - DRAWER BOTTOM SUPPORT BAR X2

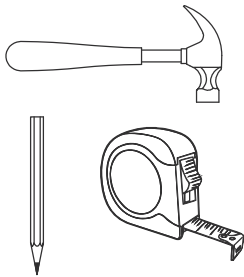


HARDWARE REQUIRED

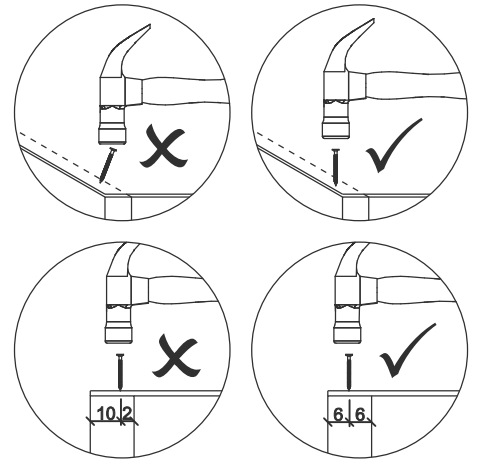
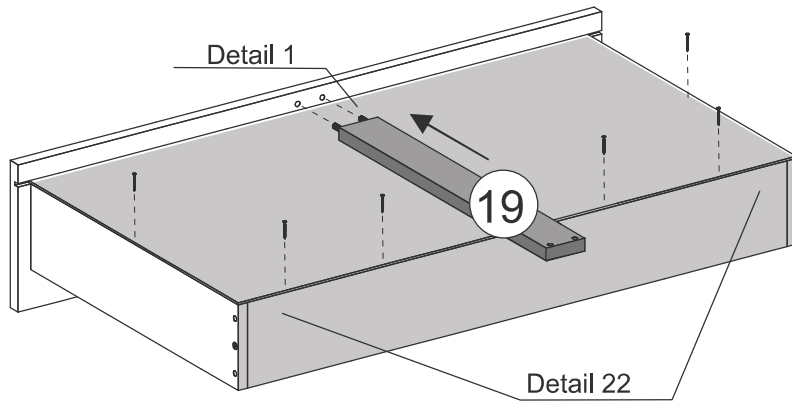
H  12
10 x 10

V  01
Glue

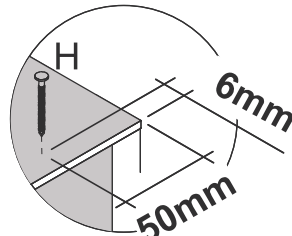
TOOLS REQUIRED



X2



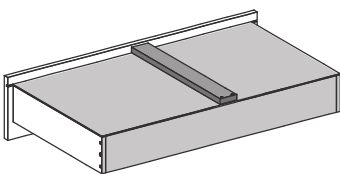
Detail 1



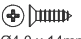
Detail 22


STEP 24


PARTS REQUIRED




HARDWARE REQUIRED

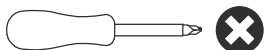
C  08
Ø4,0 x 14mm

E  04
Ø3,5 x 40mm

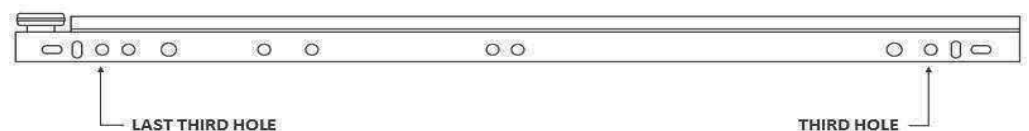
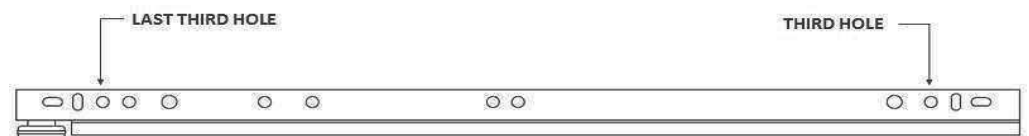
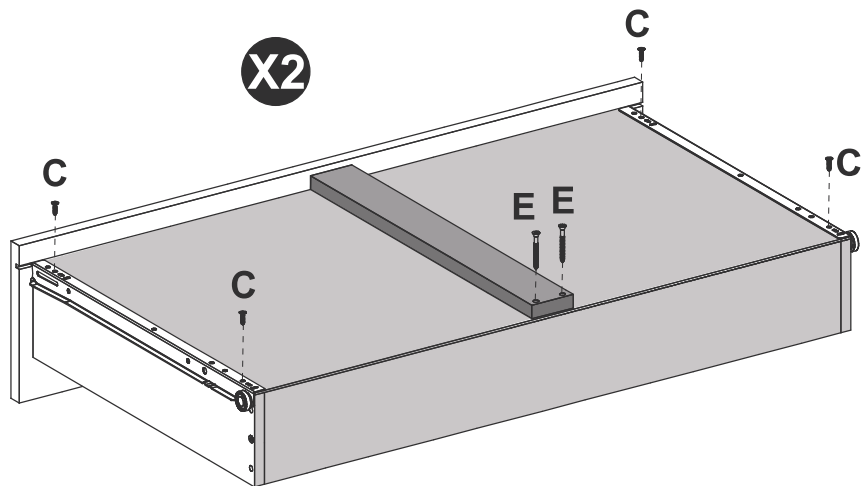
Q  02
LEFT

Q  02
RIGHT

TOOLS REQUIRED



X2

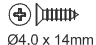



STEP 25

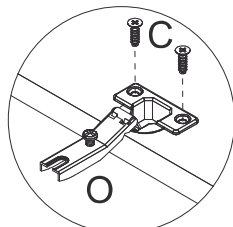
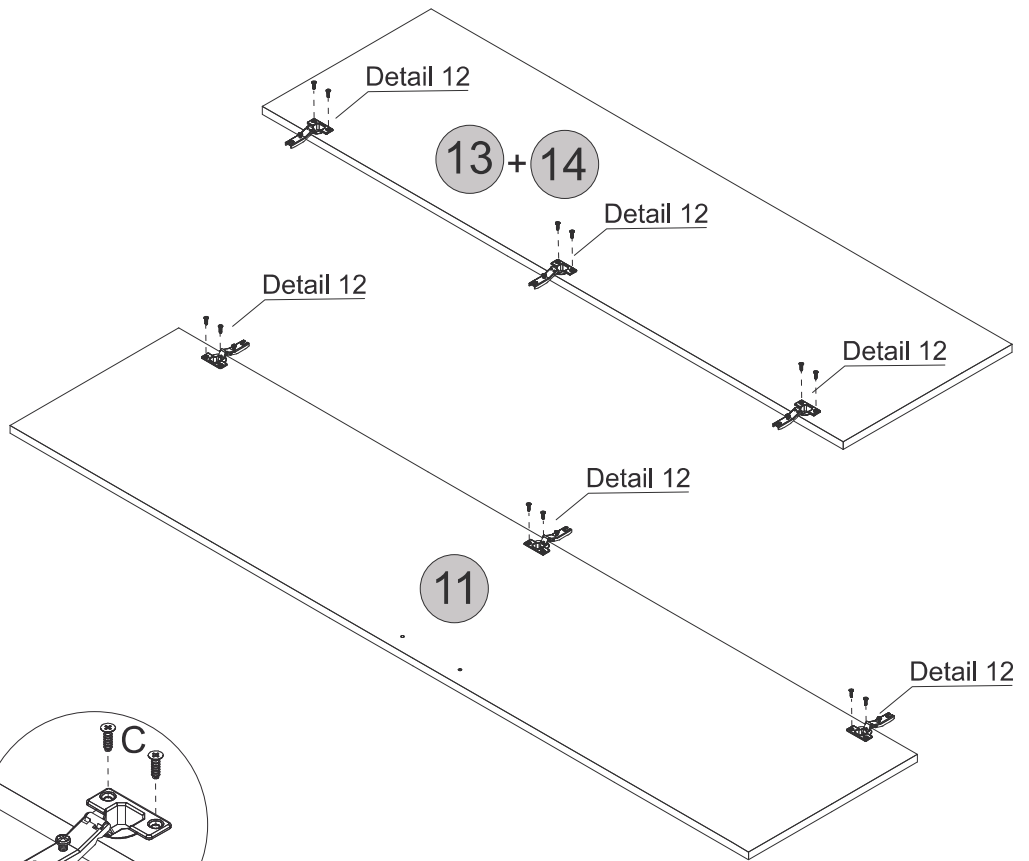
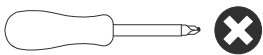
PARTS REQUIRED

- 11 - LARGE DOOR x1
- 13 - RIGHT SMALL DOOR x1
- 14 - LEFT SMALL DOOR x1

HARDWARE REQUIRED

- C  18
Ø4.0 x 14mm
- O  09

TOOLS REQUIRED

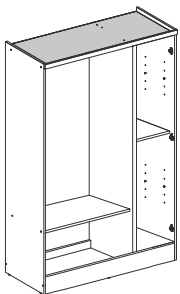


Detail 12

STEP 26

PARTS REQUIRED

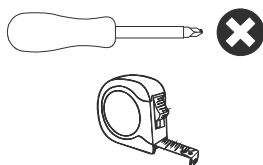
- 11 - LARGE DOOR x1
- 13 - RIGHT SMALL DOOR x1
- 14 - LEFT SMALL DOOR x1



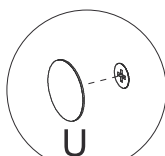
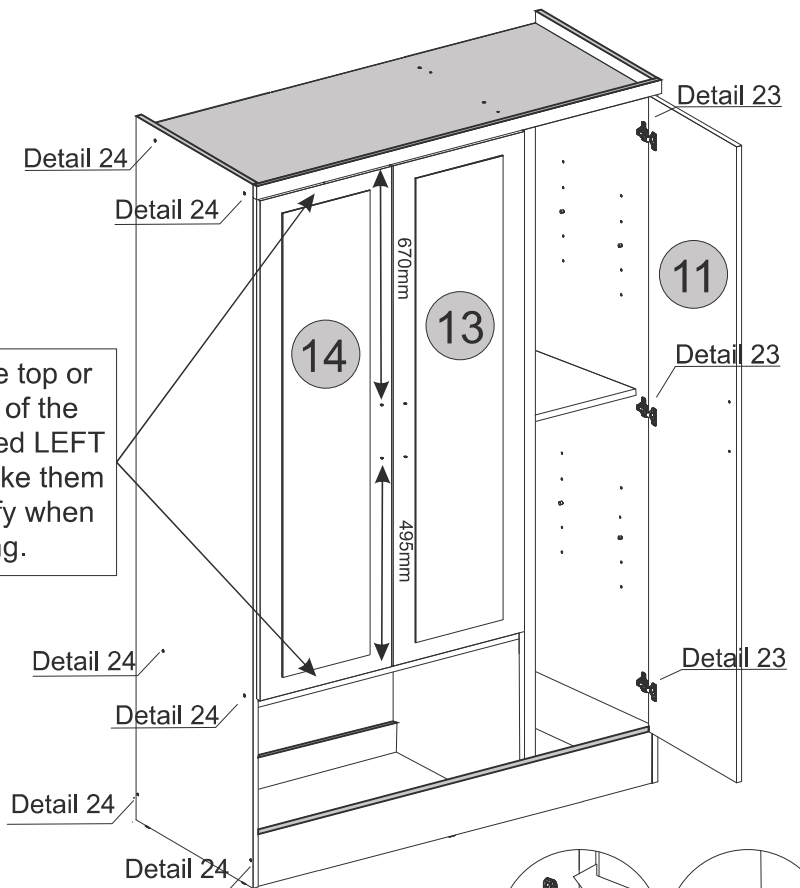
HARDWARE REQUIRED

- U  14

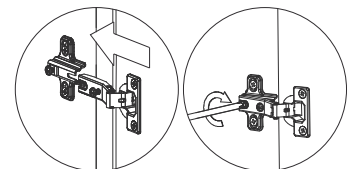
TOOLS REQUIRED



!
Please note the top or bottom edges of the doors are labelled LEFT or RIGHT to make them easier to identify when assembling.



Detail 24

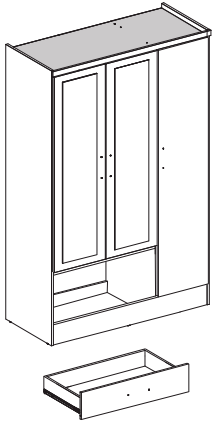


Detail 23


STEP 27


PARTS REQUIRED

12 - MOVEABLE SHELF x2

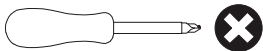


HARDWARE REQUIRED

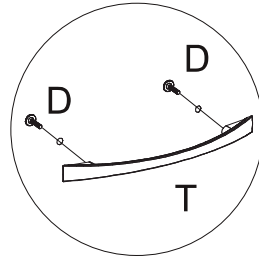
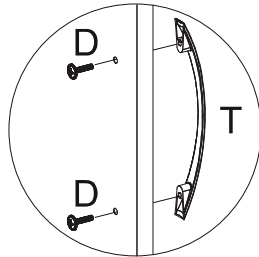
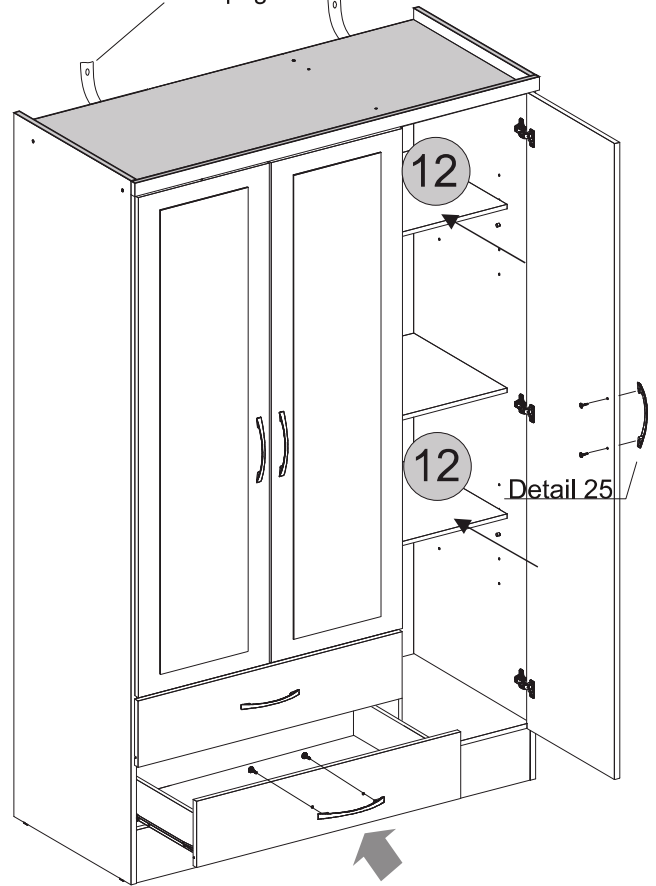
D  10
Ø4,0 x 22mm

T  05

TOOLS REQUIRED



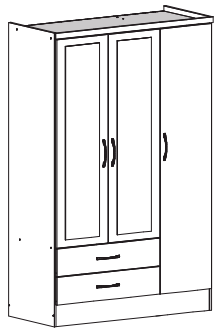
See the last page




Detail 25

STEP 28

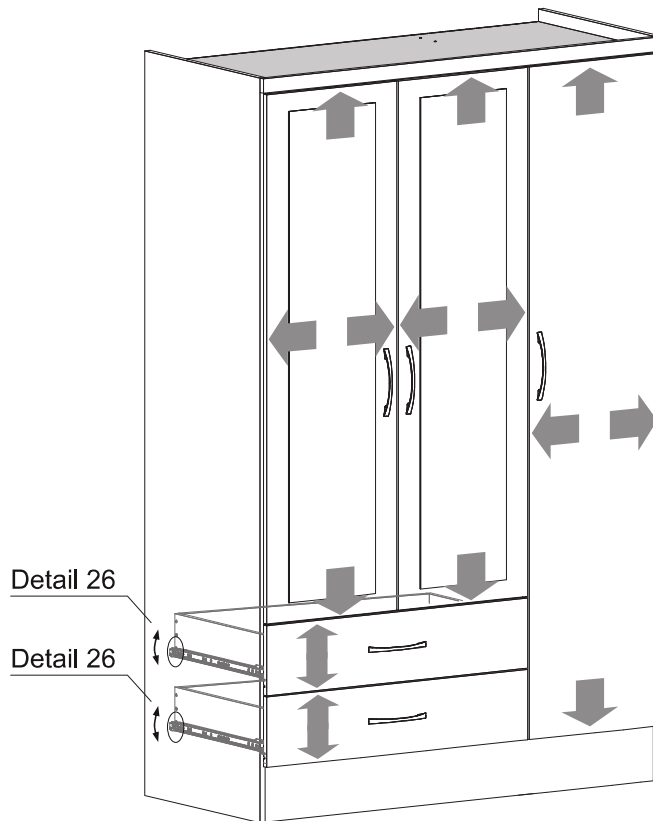
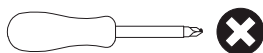
PARTS REQUIRED



HARDWARE REQUIRED

C  04
Ø4,0 x 14mm

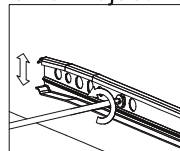
TOOLS REQUIRED



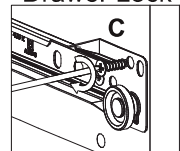
Detail 26

Detail 26

Drawer Adjustment

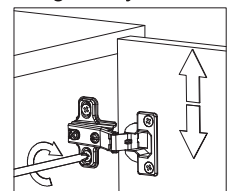


Drawer Lock

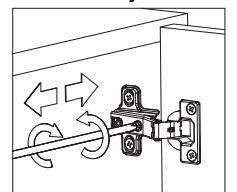


Detail 26

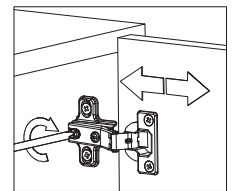
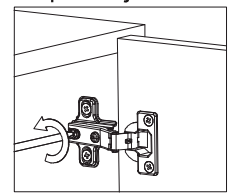
Height Adjustment



Internal Adjustment



Depth Adjustment



WARNING

Serious or fatal injuries can occur from furniture tipping over. To prevent the furniture from tipping over we recommend that it is permanently fixed to the wall.

Wall fixings are not supplied with this product as different wall materials require different types of fixing devices. Please make sure you use fixings suitable for the walls in your home.

