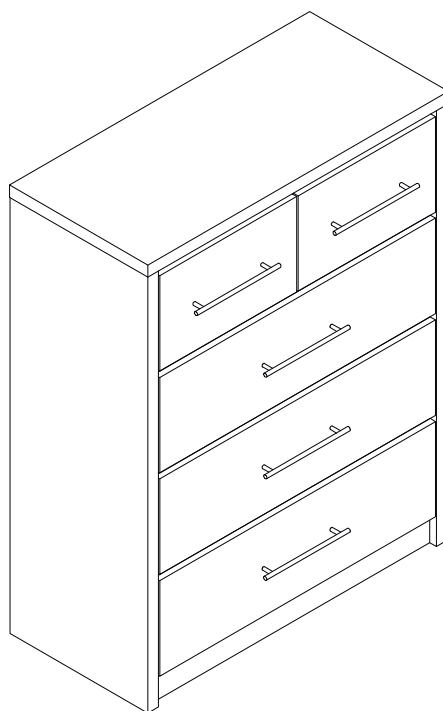


# WHITE GLOSS SEVILLE 3+2 DRAWER CHEST ASSEMBLY INSTRUCTIONS



**FOR DOMESTIC USE ONLY  
IMPORTANT**

**PLEASE READ BEFORE YOU CONTINUE FURTHER**

THE PRODUCT YOU HAVE PURCHASED WILL GIVE YOU MANY YEARS OF SERVICE IF YOU FOLLOW THE GUIDELINES FOR ITS SAFE ASSEMBLY AND PERIODIC MAINTENANCE AND CLEANING.

ASSEMBLE ON A SOFT CLEAN SURFACE.

DO NOT USE ANY TOOLS OTHER THAN THOSE SHOWN.

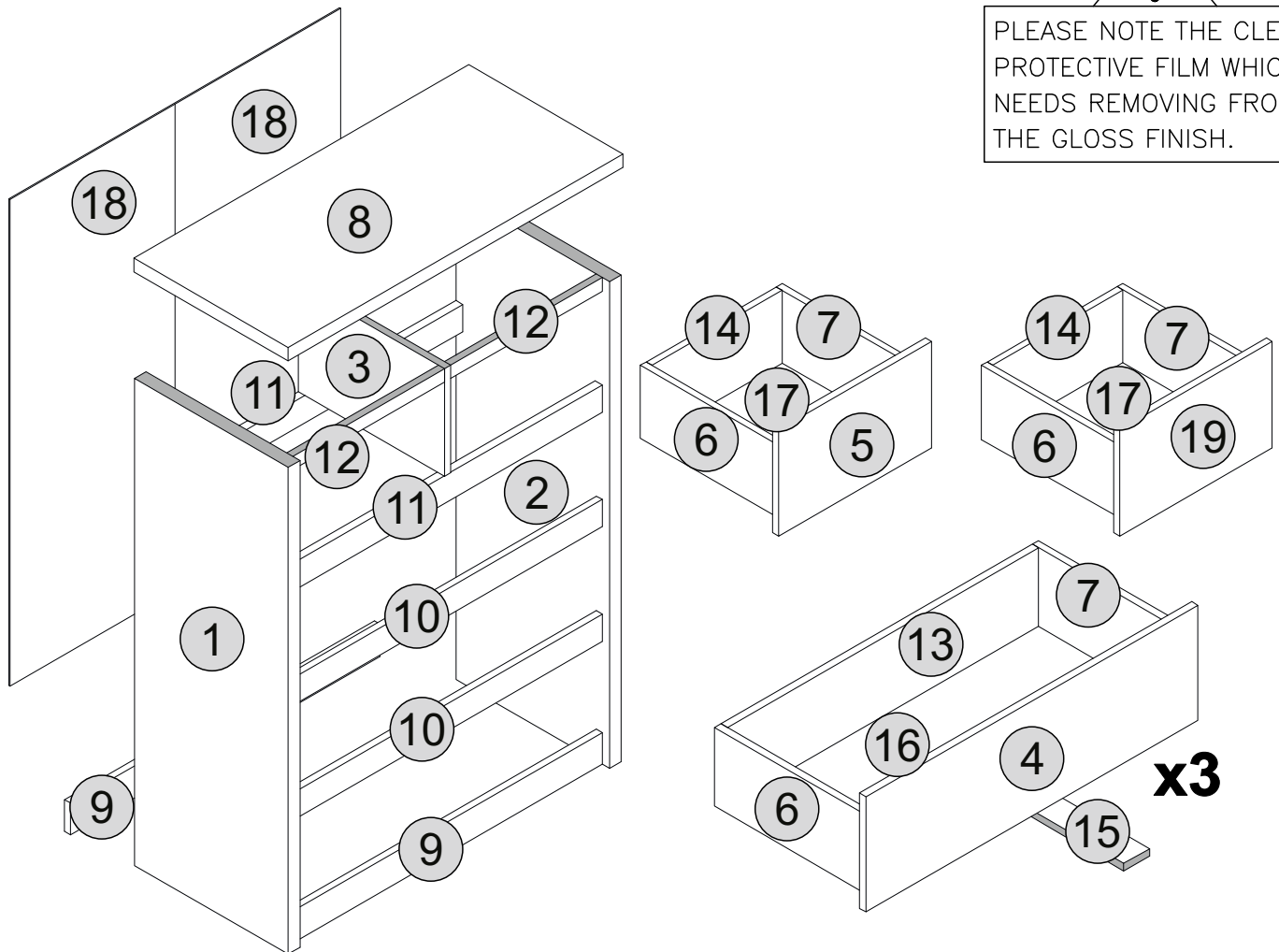
ANY SPANNERS OR ALLEN KEYS REQUIRED ARE INCLUDED WITH THE FITTING KIT.

DO NOT FOR ANY REASON USE A POWER TOOL TO ASSEMBLE THIS PRODUCT. ITS USE WILL INVALIDATE ANY CLAIM YOU MAY HAVE AND COULD MAKE THIS PRODUCT UNSAFE.

DEPENDING ON THE AMOUNT OF USE THIS PRODUCT RECEIVES, IT MAY BE NECESSARY TO TIGHTEN UP THE FIXINGS FROM TIME TO TIME. THIS IS COMPLETELY NORMAL FOR ANY FLAT PACK FURNITURE. DO NOT OVERTIGHTEN FIXINGS.

FOR CLEANING, YOU MAY USE A DAMP CLOTH (NOT WET). DO NOT USE POLISH, DETERGENT OR CHEMICAL CLEANERS.




THIS SURFACE OF THIS ITEM IS NOT HEAT RESISTANT. ALWAYS USE A PLACE MAT UNDER HOT OR COLD ITEMS TO PREVENT MARKING.



## PART LIST

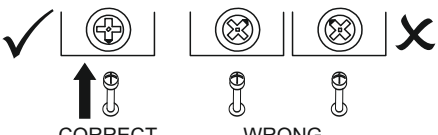
Part Number	Part Code	Part Description	Quantity	Carton
1	S100-102-084-ZF1-01	Left Side Panel	1	1/2
2	S100-102-084-ZF1-02	Right Side Panel	1	1/2
3	S100-102-084-ZF1-03	Centre Panel	1	2/2
4	S100-102-084-ZF1-04	Drawer Front Large	3	1/2
5	S100-102-084-ZF1-05	Left Drawer Front Small	1	2/2
6	S100-102-084-ZF1-06	Left Drawer Side	5	1/2
7	S100-102-084-ZF1-07	Right Drawer Side	5	1/2
8	S100-102-084-ZF1-08	Top Panel	1	1/2
9	S100-102-084-ZF1-09	Crossbar	2	1/2
10	S100-102-084-ZF1-10	Centre Support	2	1/2
11	S100-102-084-ZF1-11	Support Top	2	1/2
12	S100-102-084-ZF1-12	Support Panel	2	1/2
13	S100-102-084-ZF1-13	Drawer Back Large	3	2/2
14	S100-102-084-ZF1-14	Drawer Back Small	2	1/2
15	S100-102-084-ZF1-15	Drawer Support	3	2/2
16	S100-102-084-ZF1-16	Drawer Base Large	3	2/2
17	S100-102-084-ZF1-17	Drawer Base Small	2	2/2
18	S100-102-084-ZF1-18	Back Panel	2	1/2
19	S100-102-084-ZF1-19	Right Drawer Front Small	1	2/2

# HARDWARE LIST

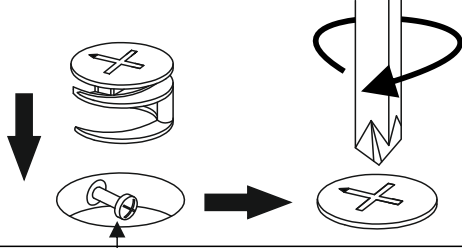
No.	Part Name		Qty
A	Wooden Dowel (6x25mm)		x36
B	65mm Screw (4x65mm)		x12
C	14mm Screw (3.5x14mm)		x50
D	38mm Screw (4x38mm)		x23
E	Cam Bolt (8032T)		x21
F	Cam Nut (1512)		x21
G	10" Handle (192mm)		x5
H	20mm Handle Screw		x10
I	14" Drawer Slide		x5
J	PVC L - Bracket		x2
K	Plastic Foot		x6
L	6/8" Nail		x45
M	Wall Fixation (4x20mm=1pc)		x1
N	Screw Cover (Sticker 12mm)		x12

## TIPS FOR FITTINGS CAM-LOCKS

WHEN FITTING CAM NUT. ENSURE STARTING POSITION IS CORRECT BEFORE YOU INSERT CONNECTING CAM BOLT TURN CLOCKWISE UNTIL SECURE



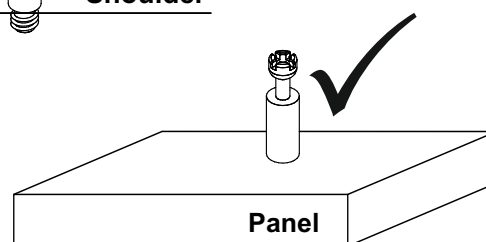
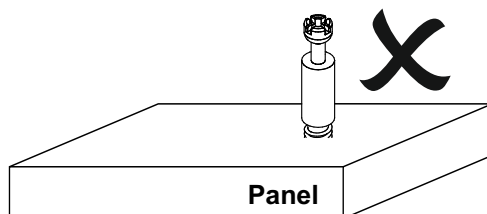
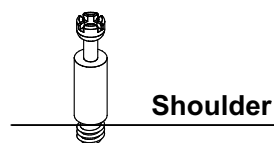
**CORRECT**      **WRONG**



Cam bolt head needs to be in centre

### CAMBOLT

Tighten until shoulder in flush with panel. Do not overtighten or undertighten (see example below)



# STEP 1


## PARTS REQUIRED

1 - LEFT SIDE PANEL x1

2 - RIGHT SIDE PANEL x1

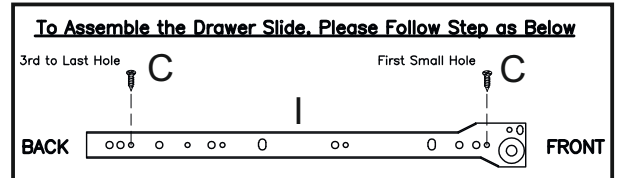
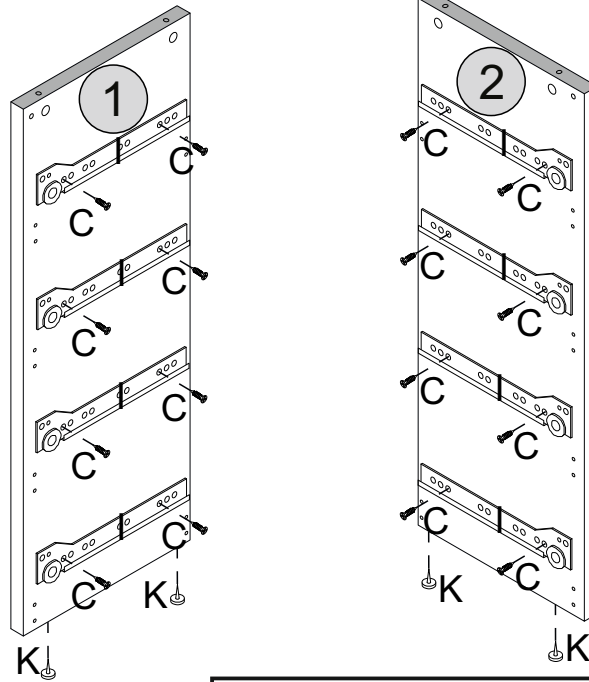
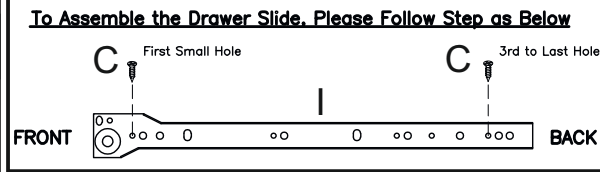
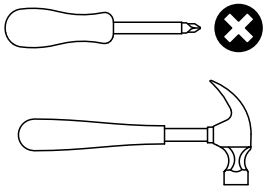
## HARDWARE REQUIRED

C  3.5x14mm 16

I  04

K  04

## TOOLS REQUIRED



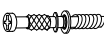
# STEP 2

## PARTS REQUIRED


3 - CENTRE PANEL x1

## HARDWARE REQUIRED

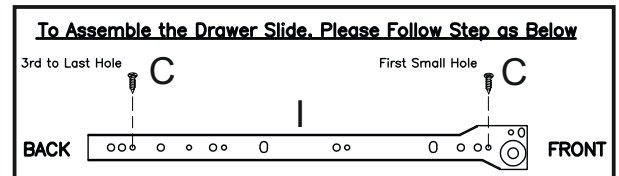
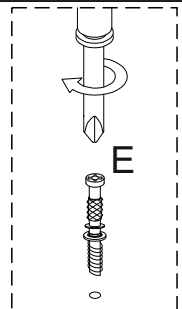
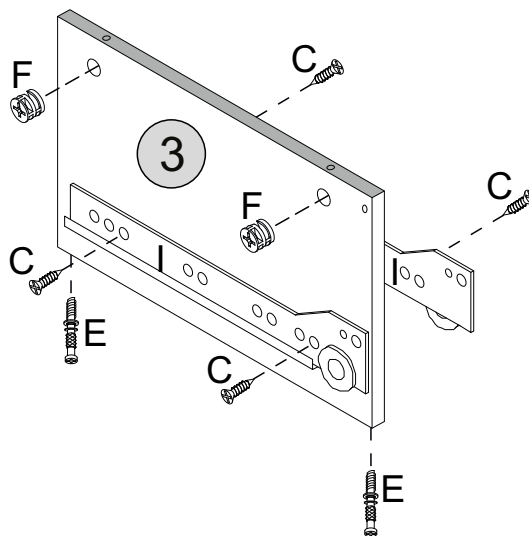
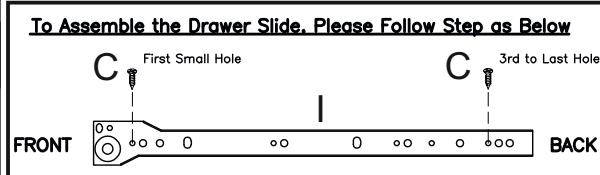
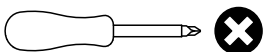
C  3.5x14mm 04

E  02

F  02

I  01

## TOOLS REQUIRED

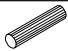




# STEP 3

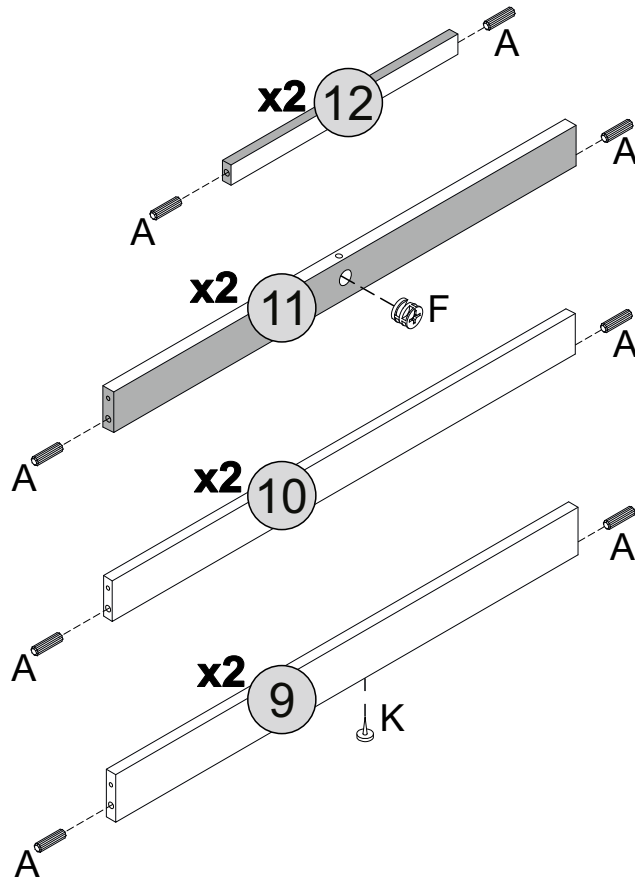
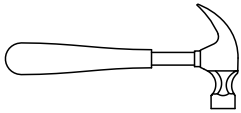
## PARTS REQUIRED

9 - CROSSBAR	x2
10- CENTRE SUPPORT	x2
11- SUPPORT TOP	x2
12- SUPPORT PANEL	x2

## HARDWARE REQUIRED

A		16
F		02
K		02

## TOOLS REQUIRED



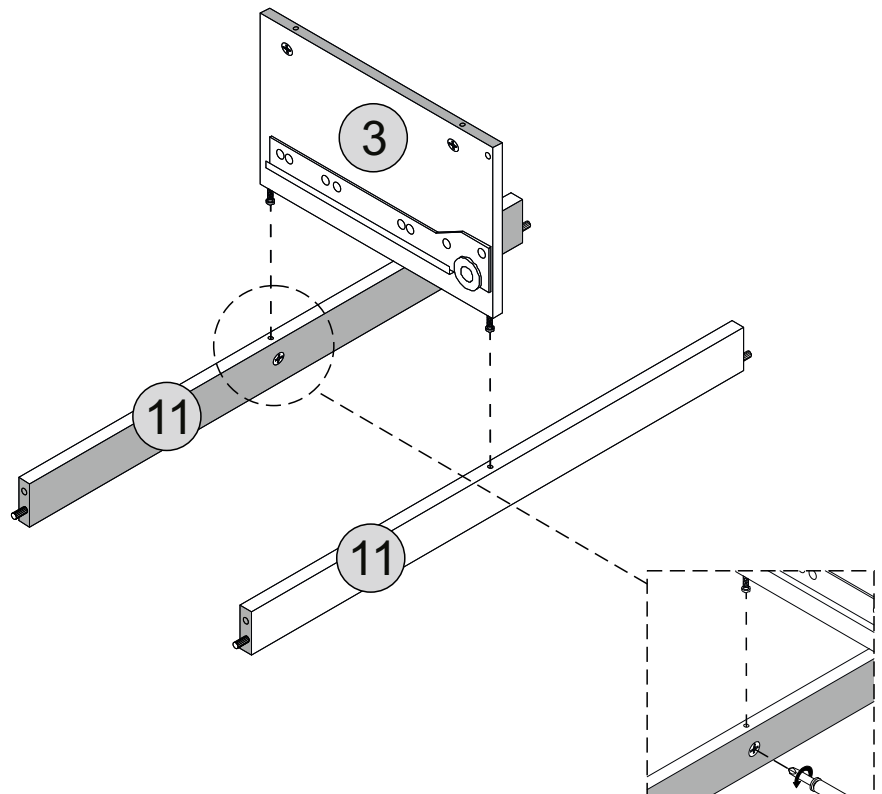
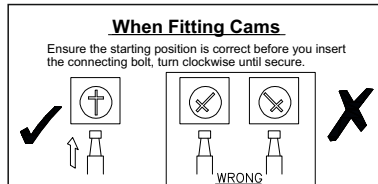
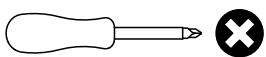
# STEP 4

## PARTS REQUIRED

3 - CENTRE PANEL	x1
11- SUPPORT TOP	x2

## HARDWARE REQUIRED

## TOOLS REQUIRED



# STEP 5

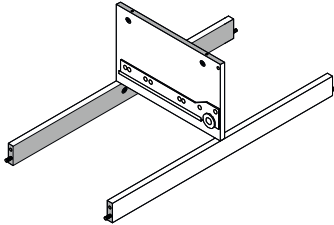
## PARTS REQUIRED

2 - RIGHT SIDE PANEL x1

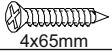
9 - CROSSBAR x2

10 - CENTRE SUPPORT x2

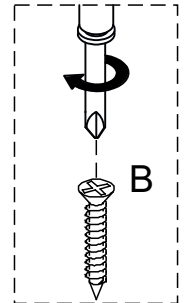
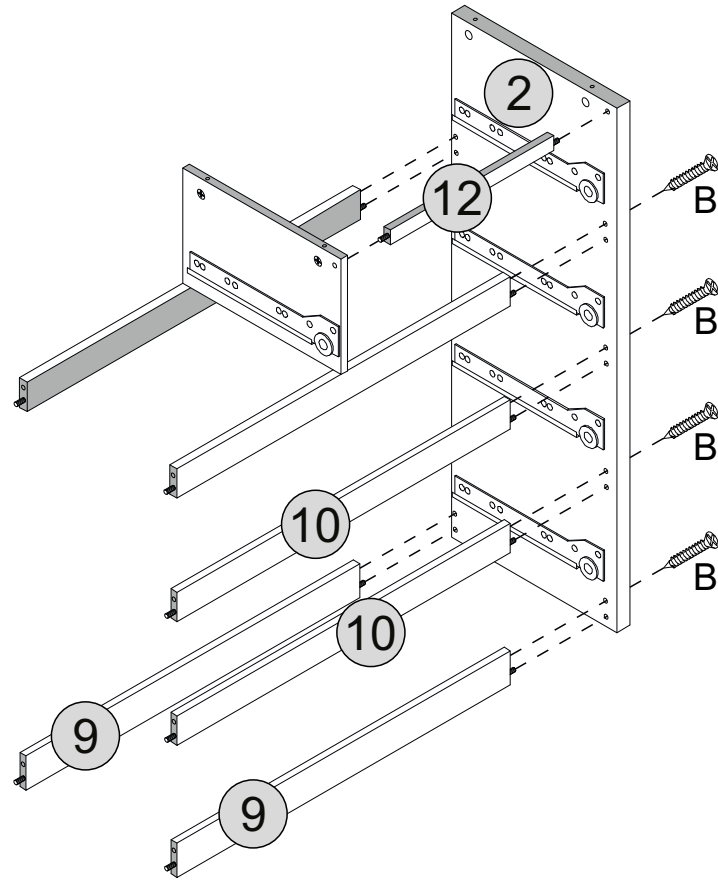
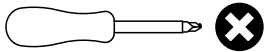
12 - SUPPORT PANEL x1



## HARDWARE REQUIRED

B  06  
4x65mm

## TOOLS REQUIRED

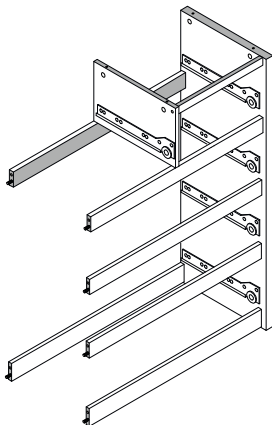


# STEP 6

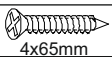
## PARTS REQUIRED

1 - LEFT SIDE PANEL x1

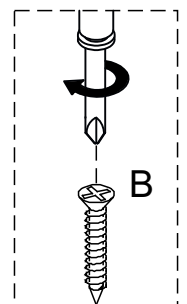
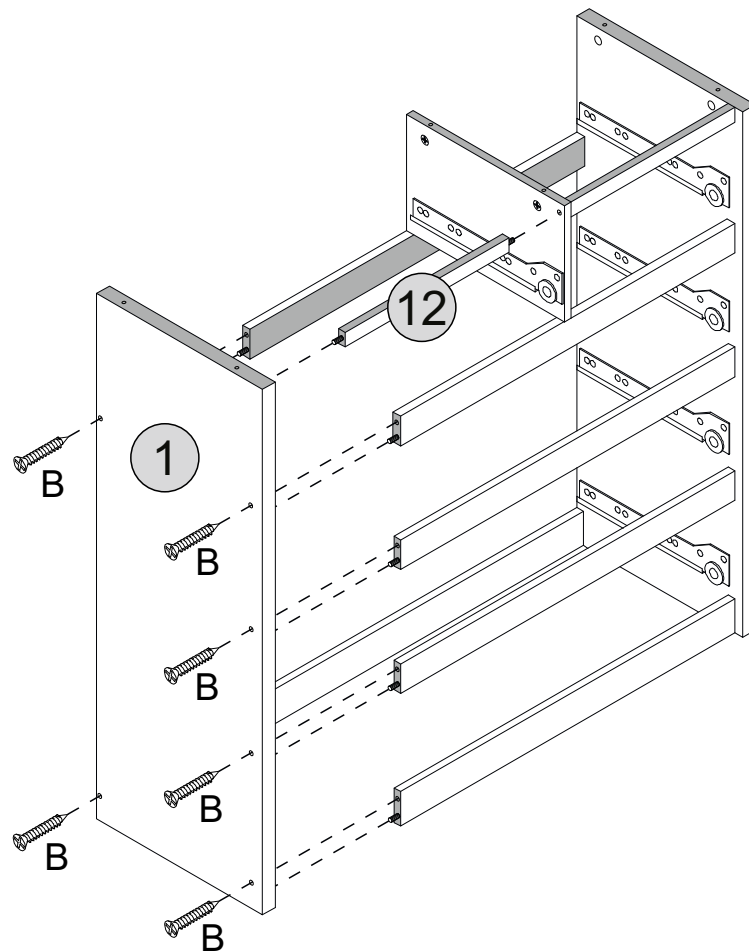
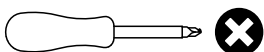
12 - SUPPORT PANEL x1



## HARDWARE REQUIRED

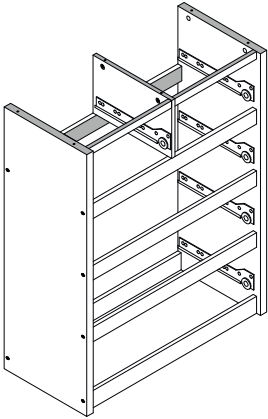
B  06  
4x65mm

## TOOLS REQUIRED

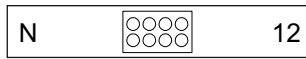


# STEP 7

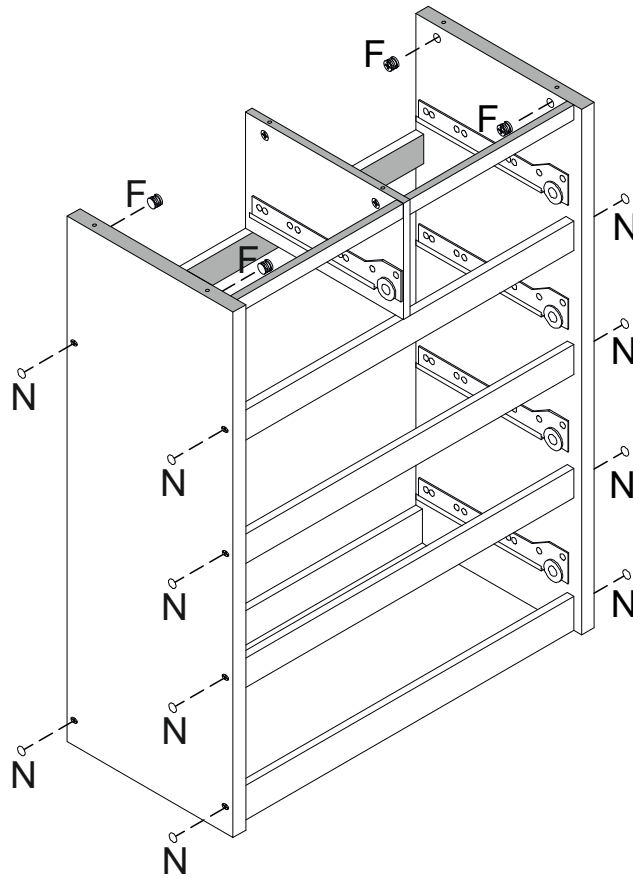
## PARTS REQUIRED



## HARDWARE REQUIRED



## TOOLS REQUIRED

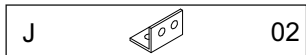
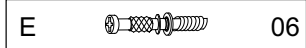
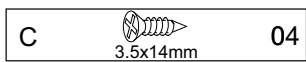


# STEP 8

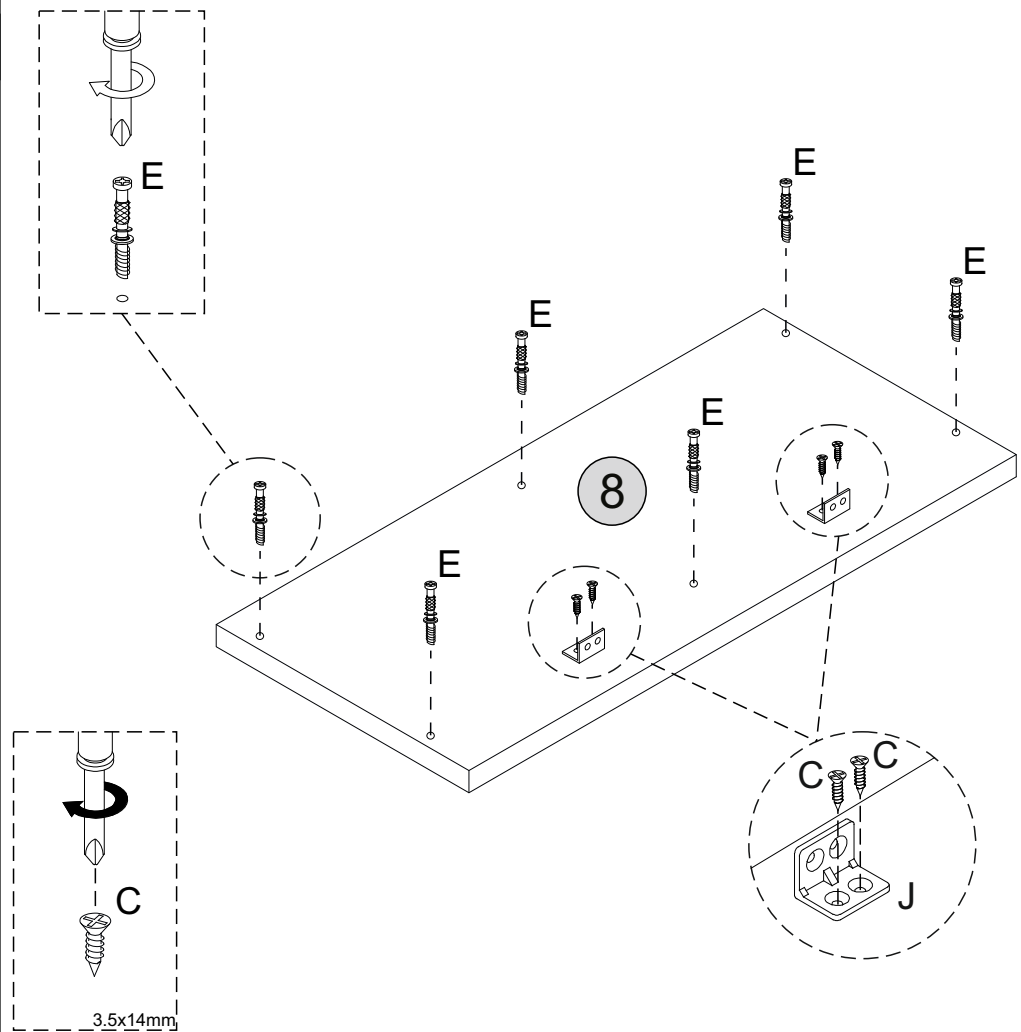
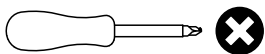
## PARTS REQUIRED



## HARDWARE REQUIRED



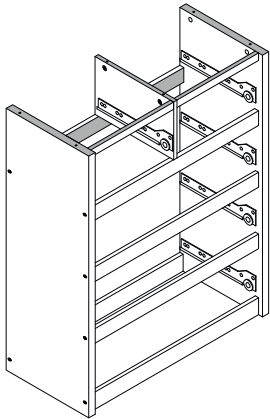
## TOOLS REQUIRED



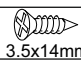
# STEP 9

## PARTS REQUIRED

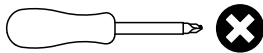
8 - TOP PANEL x1



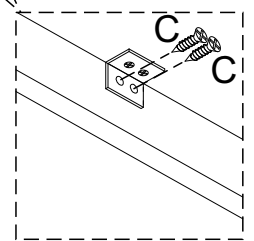
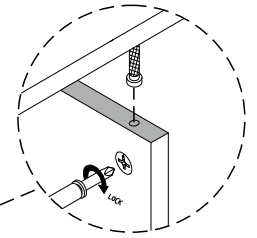
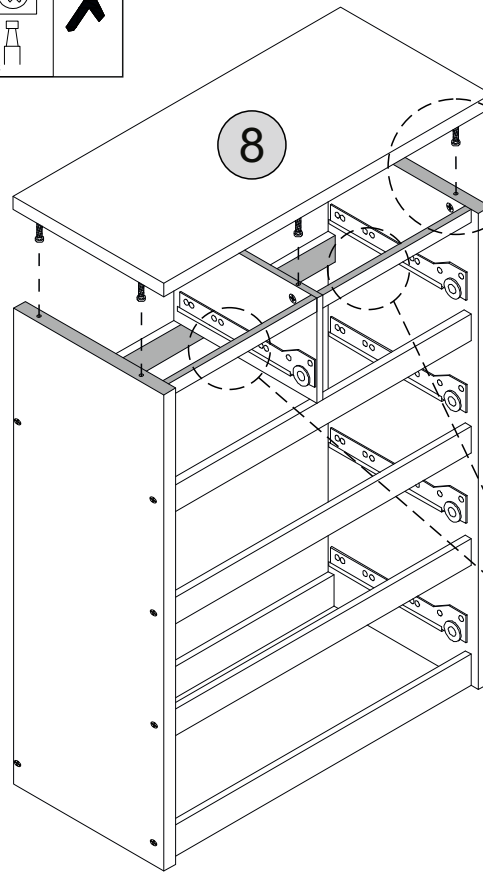
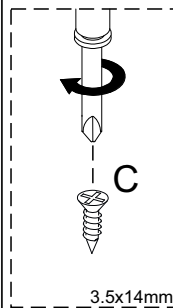
## HARDWARE REQUIRED

C  04  
3.5x14mm

## TOOLS REQUIRED



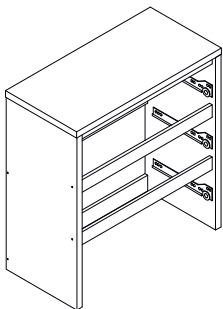
**When Fitting Cams**  
Ensure the starting position is correct before you insert the connecting bolt, turn clockwise until secure.



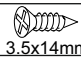
# STEP 10

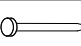
## PARTS REQUIRED

18 - BACK PANEL x2

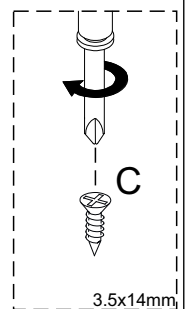
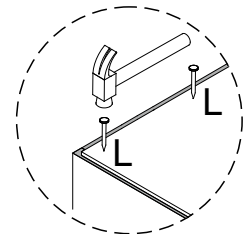
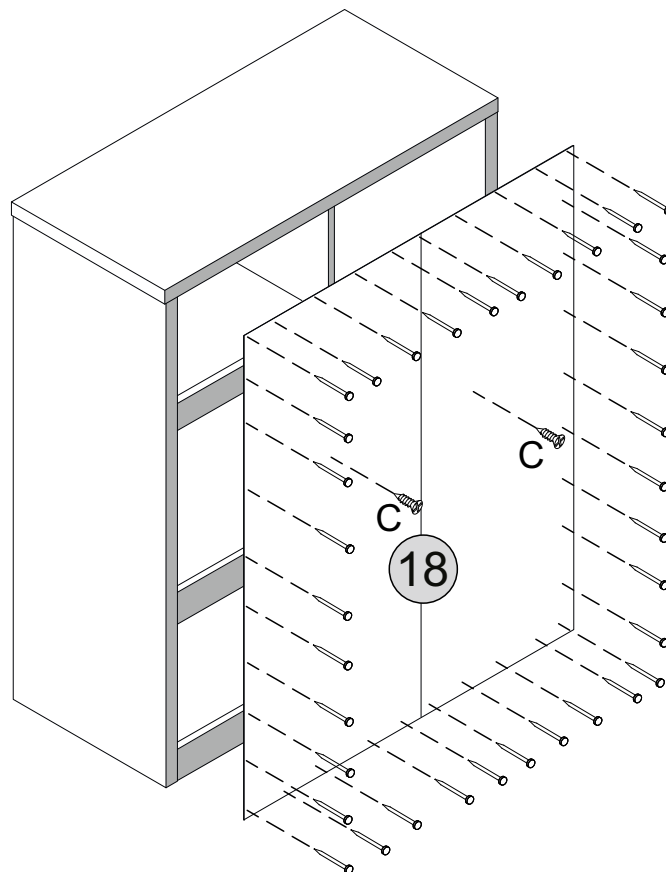
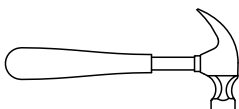
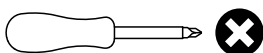


## HARDWARE REQUIRED

C  02  
3.5x14mm

L  45

## TOOLS REQUIRED





# STEP 11


## PARTS REQUIRED

6 - LEFT DRAWER SIDE x5

7 - RIGHT DRAWER SIDE x5

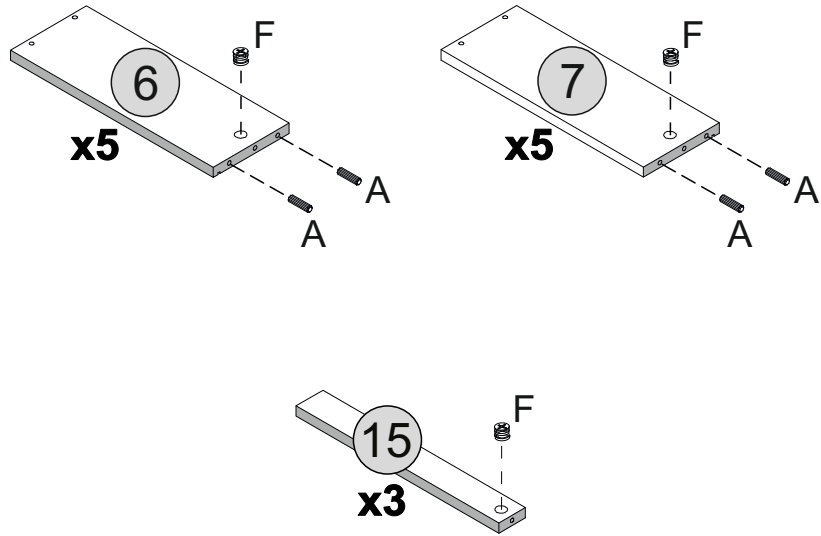
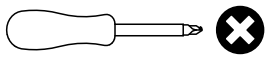
15- DRAWER SUPPORT x3

## HARDWARE REQUIRED

A  20

F  13

## TOOLS REQUIRED



# STEP 12


## PARTS REQUIRED

4- DRAWER FRONT LARGE x3

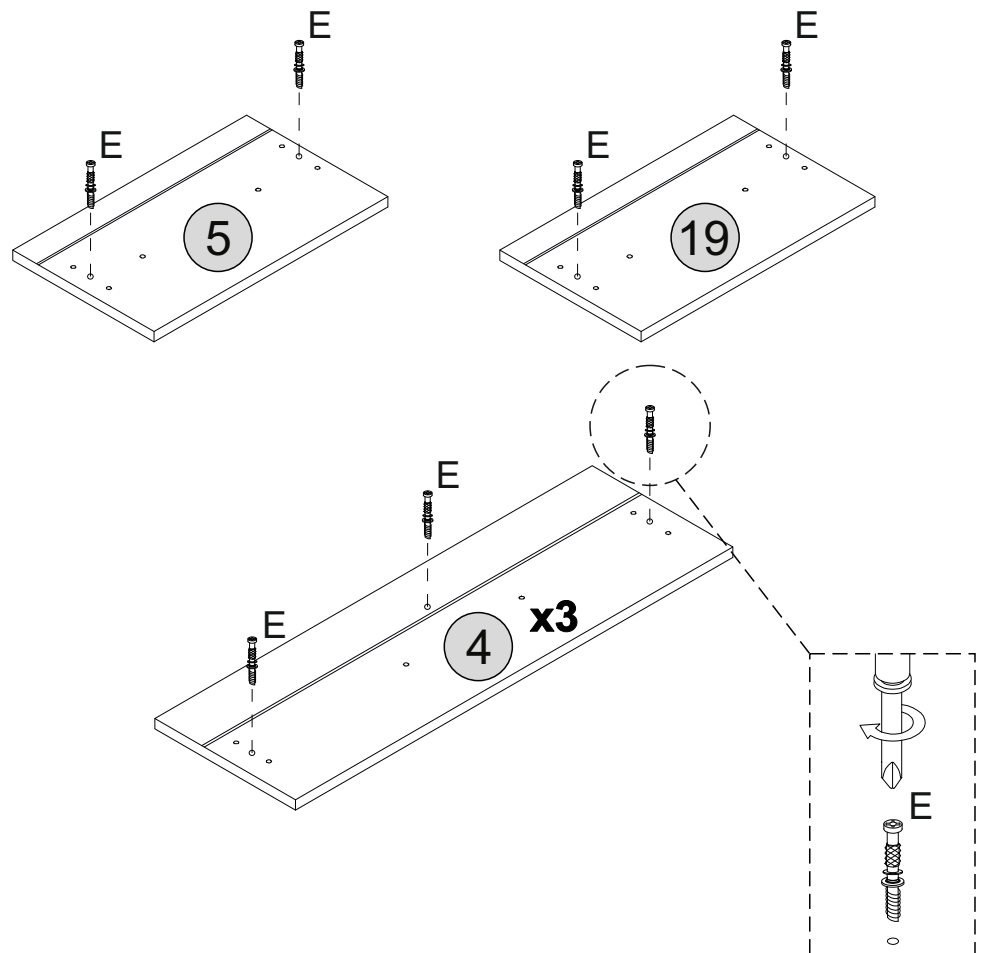
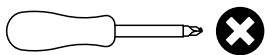
5- LEFT DRAWER FRONT SMALL x1

19-RIGHT DRAWER FRONT SMALL x1

## HARDWARE REQUIRED

E  13

## TOOLS REQUIRED



# STEP 13

## PARTS REQUIRED

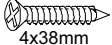
6 - LEFT DRAWER SIDE x5

7 - RIGHT DRAWER SIDE x5

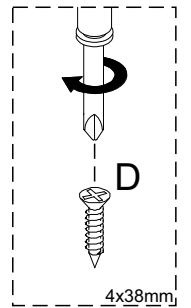
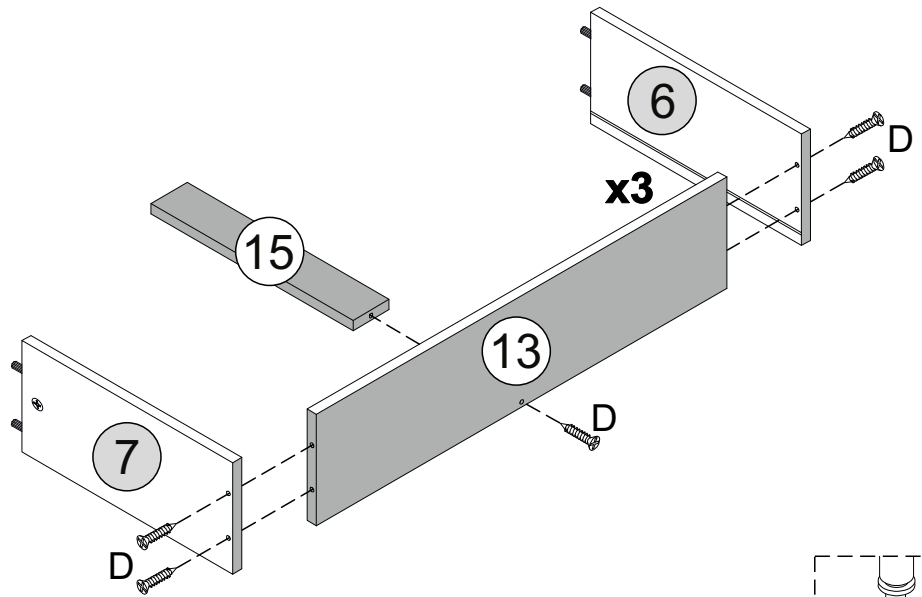
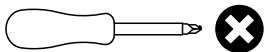
13- DRAWER BACK LARGE x3

15- DRAWER SUPPORT x3

## HARDWARE REQUIRED

D  15

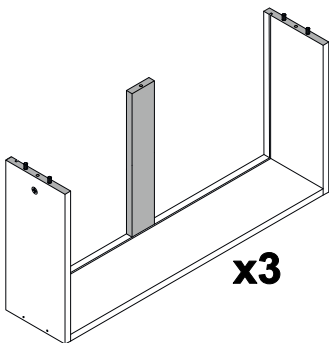
## TOOLS REQUIRED



# STEP 14

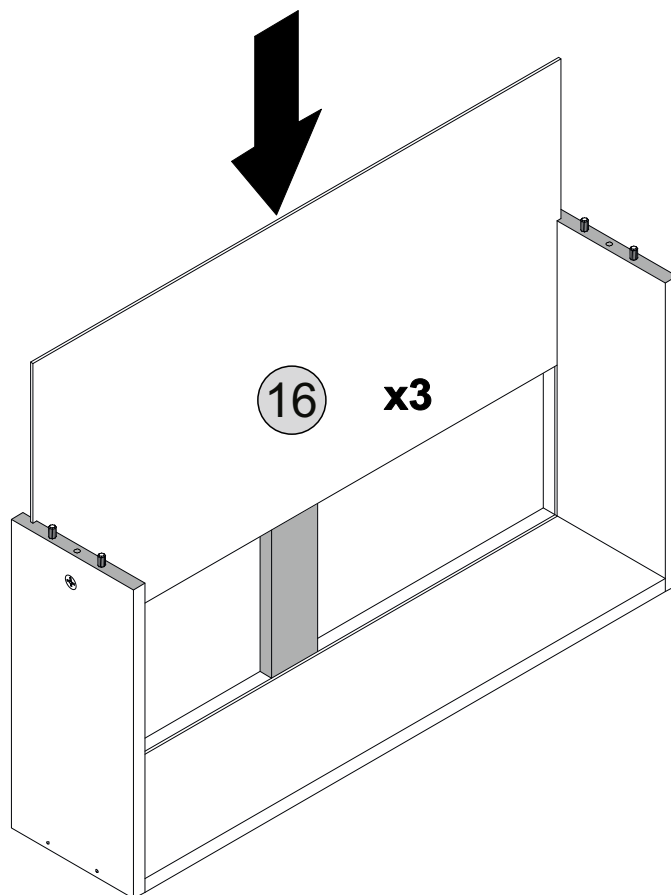
## PARTS REQUIRED

16 - DRAWER BASE LARGE x3



## HARDWARE REQUIRED

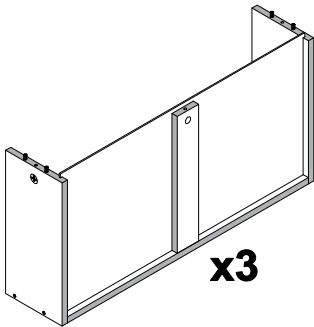
## TOOLS REQUIRED



# STEP 15

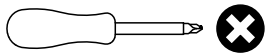
## PARTS REQUIRED

4 - DRAWER FRONT LARGE x3

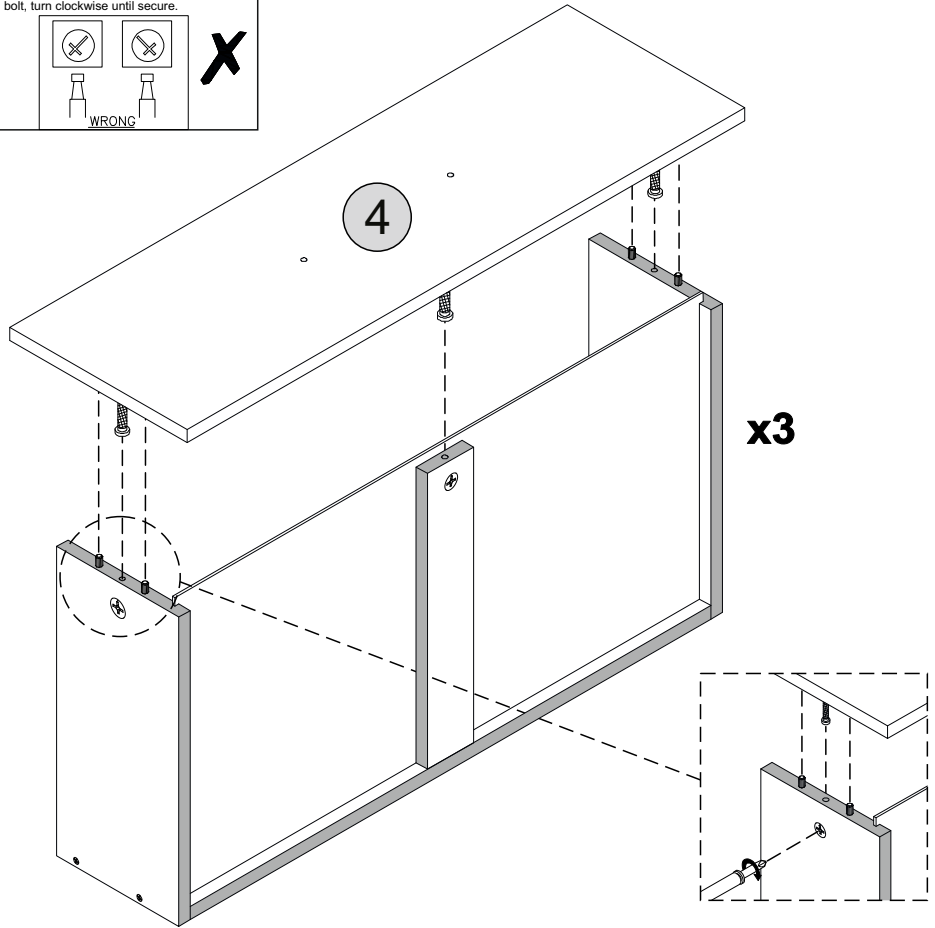


## HARDWARE REQUIRED

## TOOLS REQUIRED

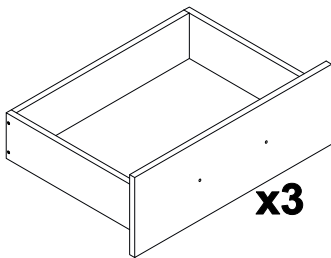


**When Fitting Cams**  
 Ensure the starting position is correct before you insert the connecting bolt, turn clockwise until secure.

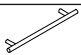


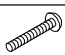
# STEP 16

## PARTS REQUIRED

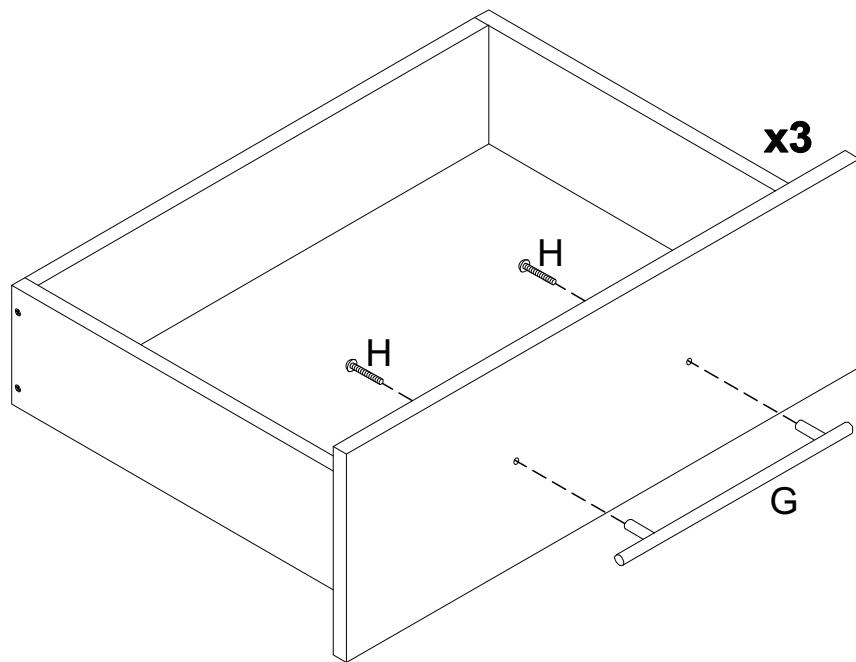
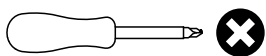


## HARDWARE REQUIRED

G  03

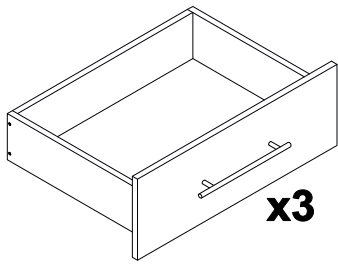
H  06

## TOOLS REQUIRED

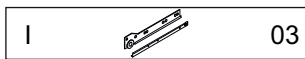
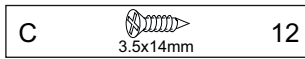


# STEP 17

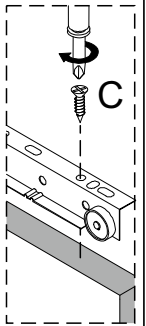
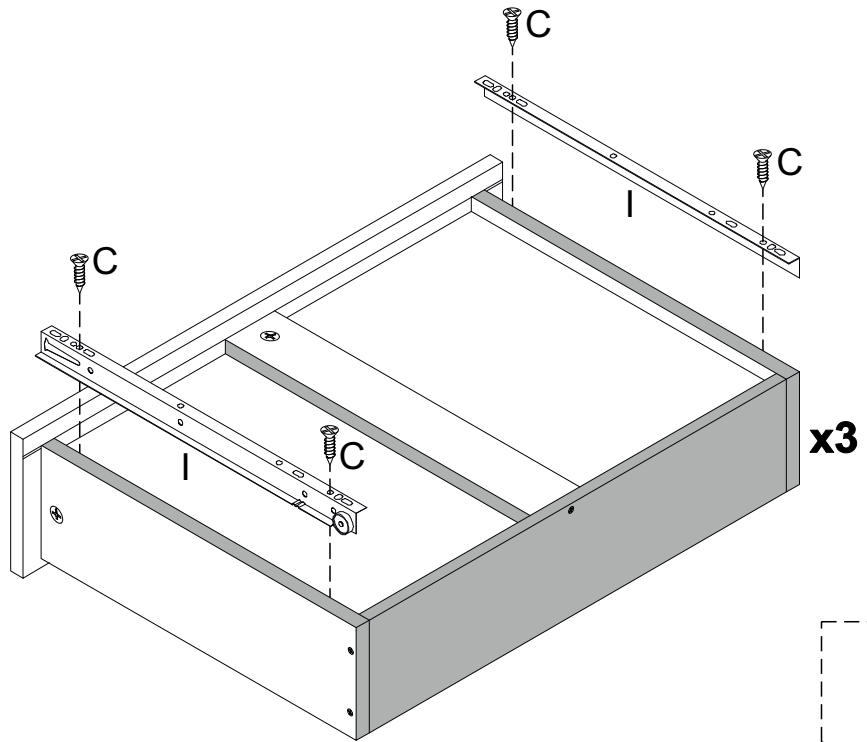
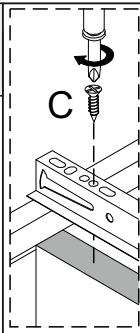
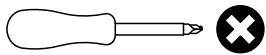
## PARTS REQUIRED



## HARDWARE REQUIRED

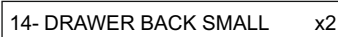


## TOOLS REQUIRED



# STEP 18

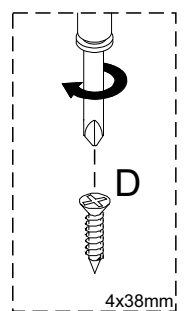
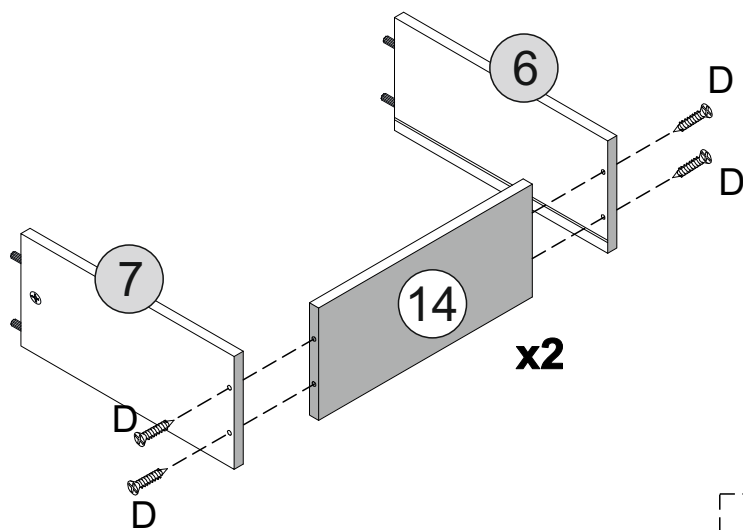
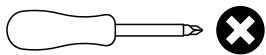
## PARTS REQUIRED



## HARDWARE REQUIRED



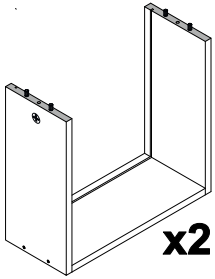
## TOOLS REQUIRED



# STEP 19

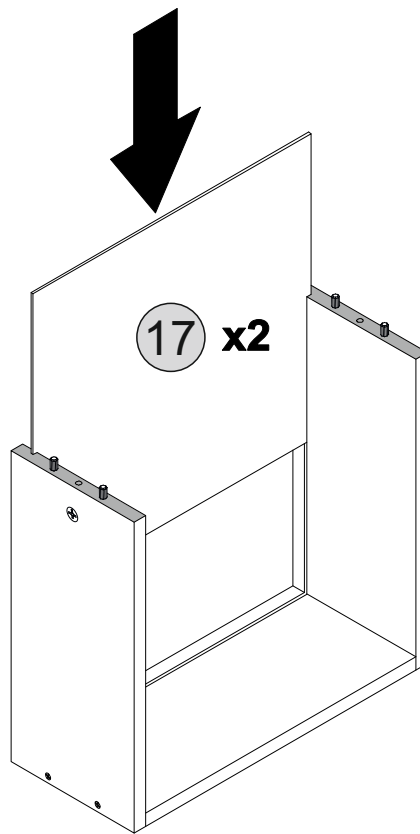
**PARTS REQUIRED**

17- DRAWER BASE SMALL x2



**HARDWARE REQUIRED**

**TOOLS REQUIRED**

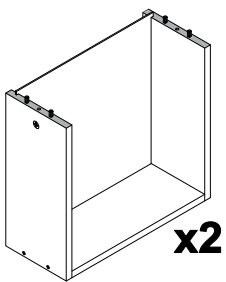


# STEP 20

**PARTS REQUIRED**

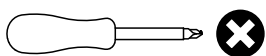
5- LEFT DRAWER FRONT SMALL x1

19-RIGHT DRAWER FRONT SMALL x1

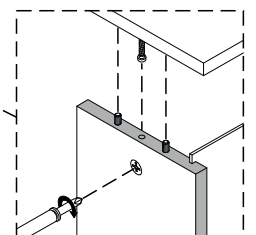
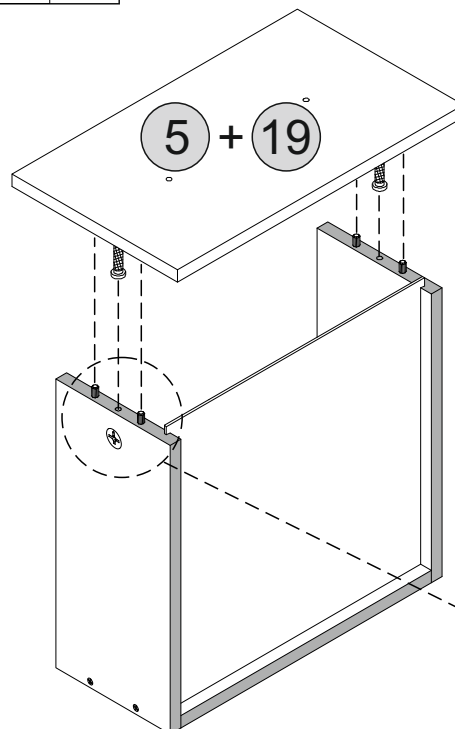


**HARDWARE REQUIRED**

**TOOLS REQUIRED**

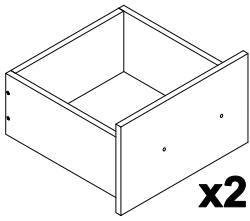


**When Fitting Cams**  
 Ensure the starting position is correct before you insert the connecting bolt, turn clockwise until secure.

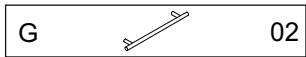


# STEP 21

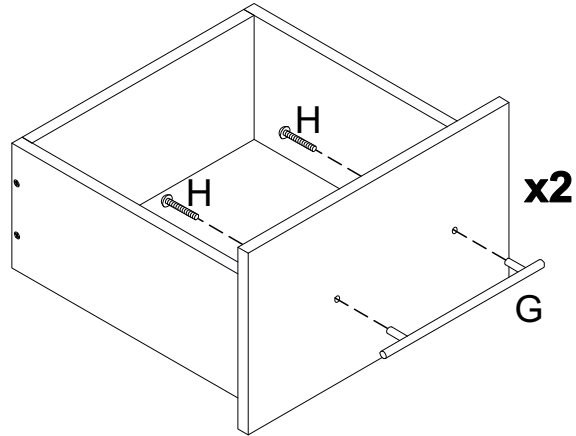
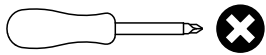
**PARTS REQUIRED**



**HARDWARE REQUIRED**

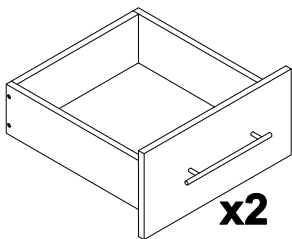


**TOOLS REQUIRED**

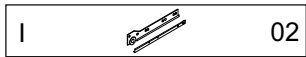
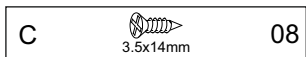


# STEP 22

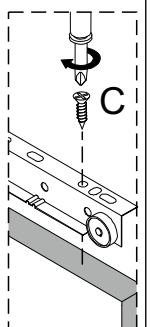
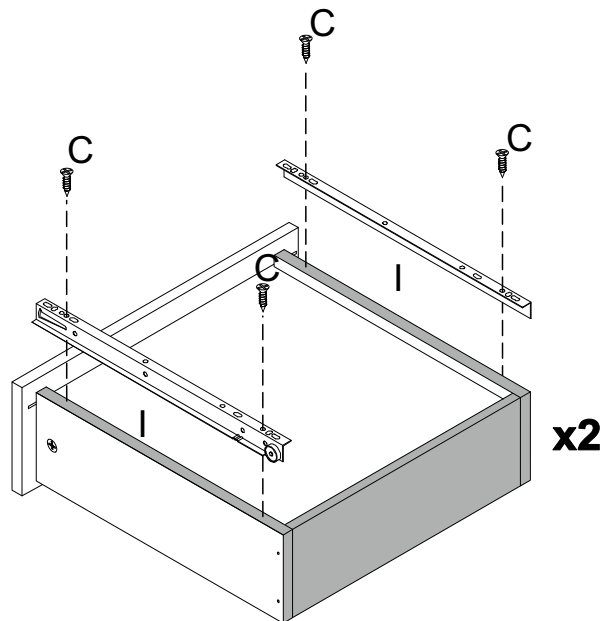
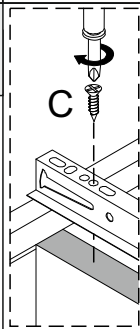
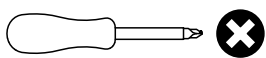
**PARTS REQUIRED**



**HARDWARE REQUIRED**

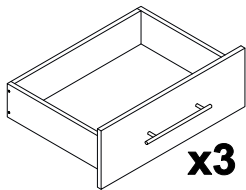
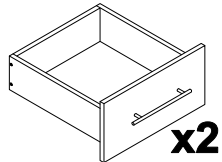
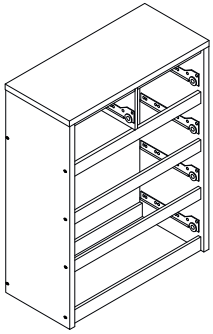


**TOOLS REQUIRED**



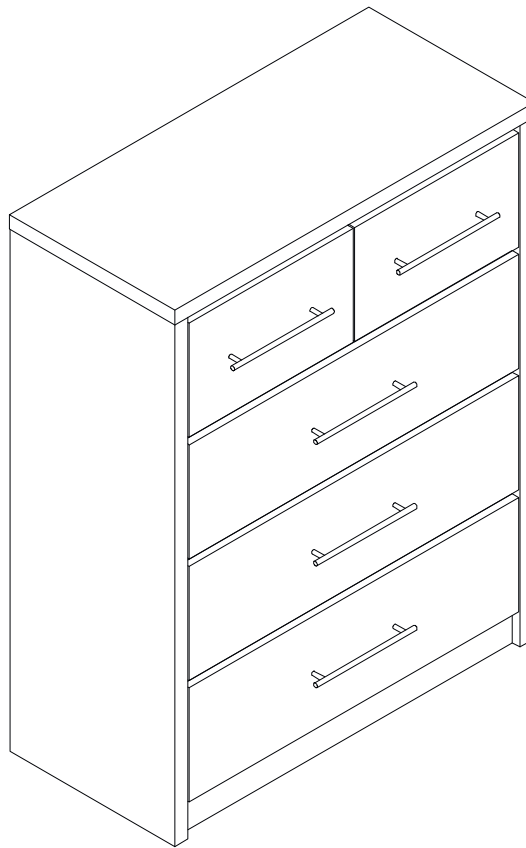
# STEP 23

PARTS REQUIRED



HARDWARE REQUIRED

TOOLS REQUIRED



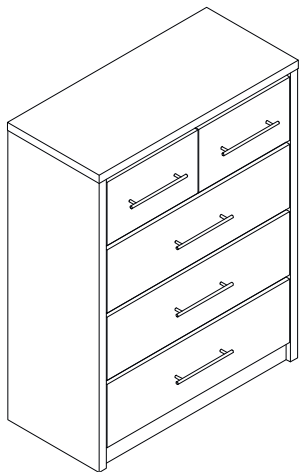
⚠  
PLEASE NOTE THE CLEAR PROTECTIVE FILM WHICH NEEDS REMOVING FROM THE GLOSS FINISH.

# STEP 24

## WARNING

**Serious or fatal injuries can occur from furniture tipping over. To prevent the furniture from tipping over we recommend that it is permanently fixed to the wall.**

Wall fixings are not supplied with this product as different wall materials require different types of fixing devices. Please make sure you use fixings suitable for the walls in your home.



HARDWARE REQUIRED



TOOLS REQUIRED

