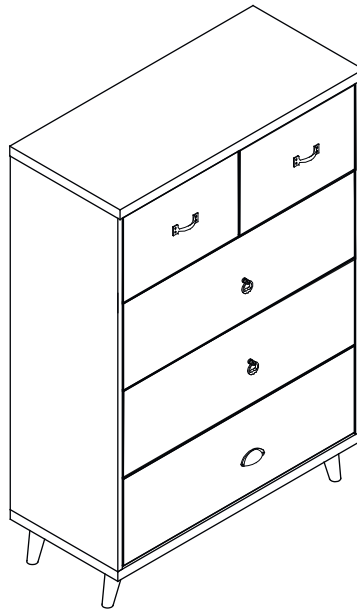


WHITE/DISTRESSED EFFECT NORDIC 3+2 DRAWER CHEST ASSEMBLY INSTRUCTIONS



FOR DOMESTIC USE ONLY

IMPORTANT

PLEASE READ BEFORE YOU CONTINUE FURTHER

THE PRODUCT YOU HAVE PURCHASED WILL GIVE YOU MANY YEARS OF SERVICE IF YOU FOLLOW THE GUIDELINES FOR ITS SAFE ASSEMBLY AND PERIODIC MAINTENANCE AND CLEANING.

ASSEMBLE ON A SOFT CLEAN SURFACE.

DO NOT USE ANY TOOLS OTHER THAN THOSE SHOWN.

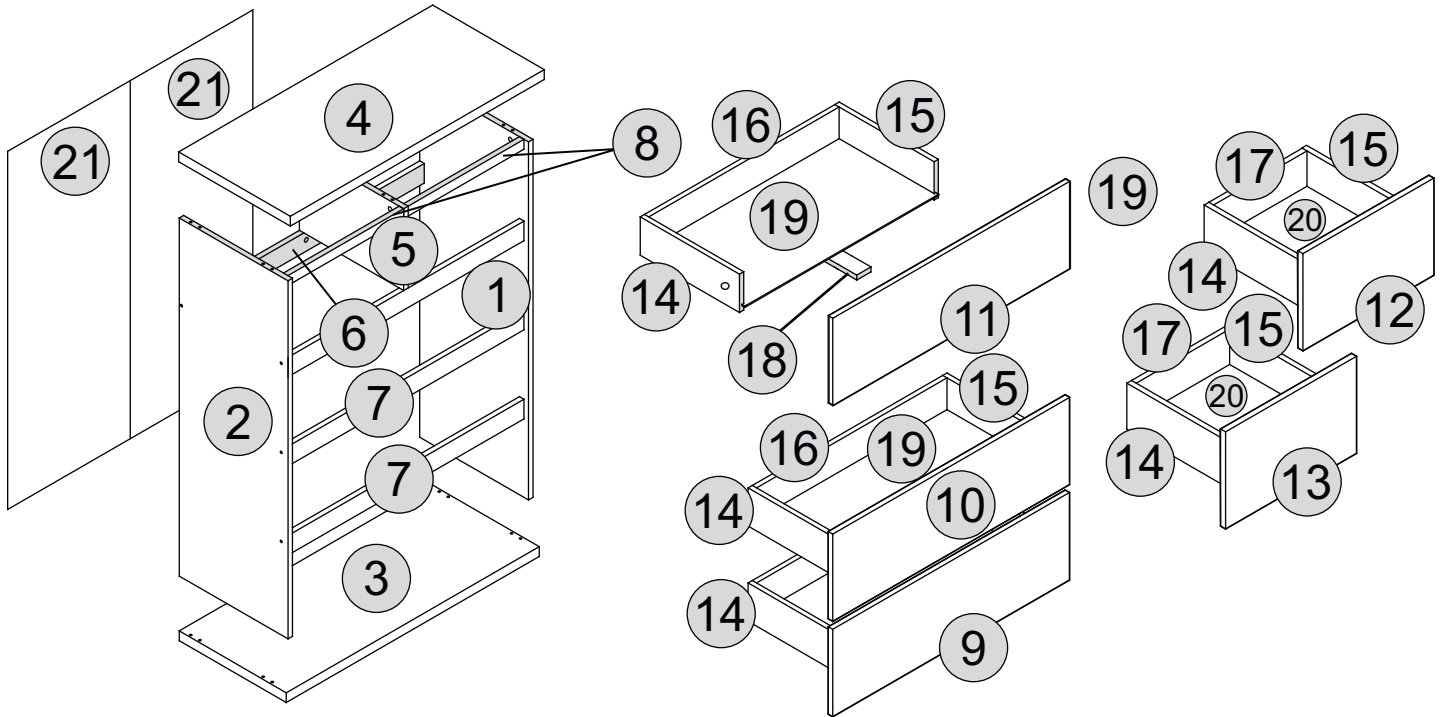
ANY SPANNERS OR ALLEN KEYS REQUIRED ARE INCLUDED WITH THE FITTING KIT.

DO NOT FOR ANY REASON USE A POWER TOOL TO ASSEMBLE THIS PRODUCT. ITS USE WILL INVALIDATE ANY CLAIM YOU MAY HAVE AND COULD MAKE THIS PRODUCT UNSAFE.

DEPENDING ON THE AMOUNT OF USE THIS PRODUCT RECEIVES, IT MAY BE NECESSARY TO TIGHTEN UP THE FIXINGS FROM TIME TO TIME. THIS IS COMPLETELY NORMAL FOR ANY FLAT PACK FURNITURE. DO NOT OVERTIGHTEN FIXINGS.

FOR CLEANING, YOU MAY USE A DAMP CLOTH (NOT WET). DO NOT USE POLISH, DETERGENT OR CHEMICAL CLEANERS.




THIS SURFACE OF THIS ITEM IS NOT HEAT RESISTANT. ALWAYS USE A PLACE MAT UNDER HOT OR COLD ITEMS TO PREVENT MARKING.



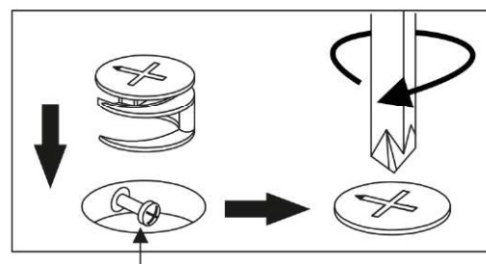
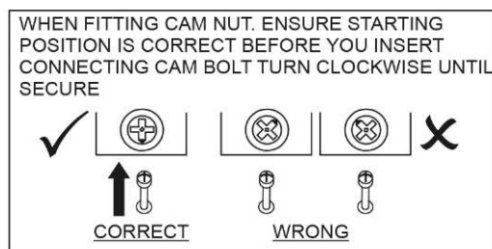
PART LIST

Part Number	Part Code	Part Description	Quantity	Carton
1	S100-102-095-TA1-01	Right Side Panel	1	1/2
2	S100-102-095-TA1-02	Left Side Panel	1	1/2
3	S100-102-095-TA1-03	Bottom Panel	1	1/2
4	S100-102-095-TA1-04	Top Panel	1	1/2
5	S100-102-095-TA1-05	Centre Panel	1	1/2
6	S100-102-095-TA1-06	Support Top	2	1/2
7	S100-102-095-TA1-07	Centre Support	2	1/2
8	S100-102-095-TA1-08	Support Panel	2	1/2
9	S100-102-095-TA1-09	Drawer Front Large	1	1/2
10	S100-102-095-TA1-10	Drawer Front Large	1	1/2
11	S100-102-095-TA1-11	Drawer Front Large	1	1/2
12	S100-102-095-TA1-12	Right Drawer Front Small	1	1/2
13	S100-102-095-TA1-13	Left Drawer Front Small	1	1/2
14	S100-102-095-TA1-14	Left Drawer Side	5	2/2
15	S100-102-095-TA1-15	Right Drawer Side	5	2/2
16	S100-102-095-TA1-16	Drawer Back Large	3	1/2
17	S100-102-095-TA1-17	Drawer Back Small	2	2/2
18	S100-102-095-TA1-18	Drawer Support	3	1/2
19	S100-102-095-TA1-19	Drawer Base Large	3	1/2
20	S100-102-095-TA1-20	Drawer Base Small	2	1/2
21	S100-102-095-TA1-21	Back Panel	2	1/2

HARDWARE LIST

No.	Part Name		Qty	Carton
A	Wooden Dowel (6x30mm)		x42	1
B	45mm Screw (4x45mm)		x12	1
C	14mm Screw (3.5x14mm)		x66	1
D	38mm Screw (4x38mm)		x23	1
E	Cam Bolt		x21	1
F	Cam Nut		x21	1
G	Wood Leg + Plastic Foot		x4	2
H	6/8" Nail		x45	1
I	14" Drawer Slide		x5	1
J	PVC L-Bracket		x2	1
K	Handle+Screw (3.5x14mm=8pcs)		x2	1
L	Screw Cover		x8	1
M	Handle+Screw (4x20mm=2pcs)		x2	1
N	Handle+Screw (3.5x14mm=2pcs)		x1	1
O	Wall Fixings (4x20mm=1pc)		x1	1

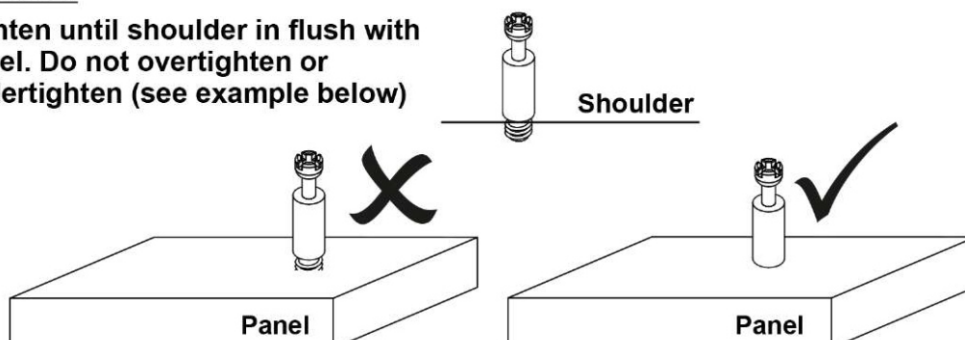
TIPS FOR FITTINGS CAM-LOCKS



Cam bolt head needs to be in centre

CAMBOLT

Tighten until shoulder in flush with panel. Do not overtighten or undertighten (see example below)



STEP 1

PARTS REQUIRED

2 - LEFT SIDE PANEL x1

HARDWARE REQUIRED

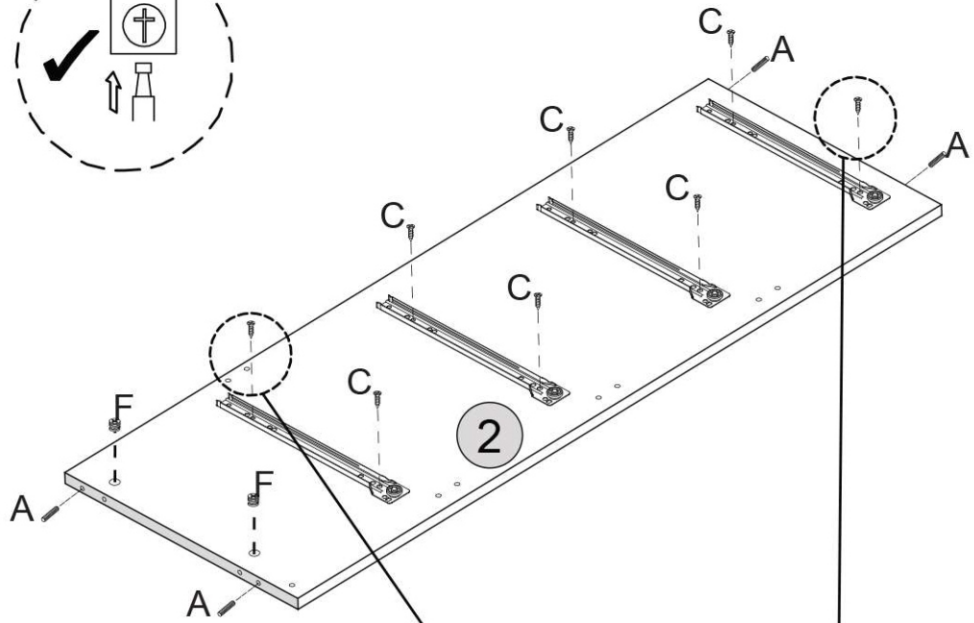
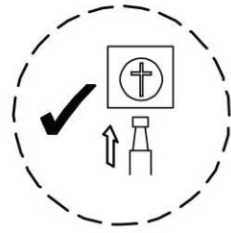
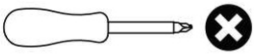
A  04

C  3.5x14mm 08

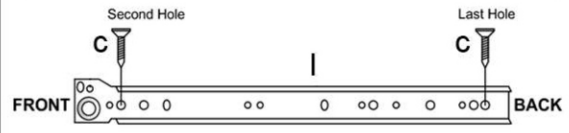
F  02

I  04

TOOLS REQUIRED



To Assemble the Drawer Slide, Please Follow Step as Below




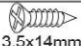
STEP 2

PARTS REQUIRED

1 - RIGHT SIDE PANEL x1

HARDWARE REQUIRED

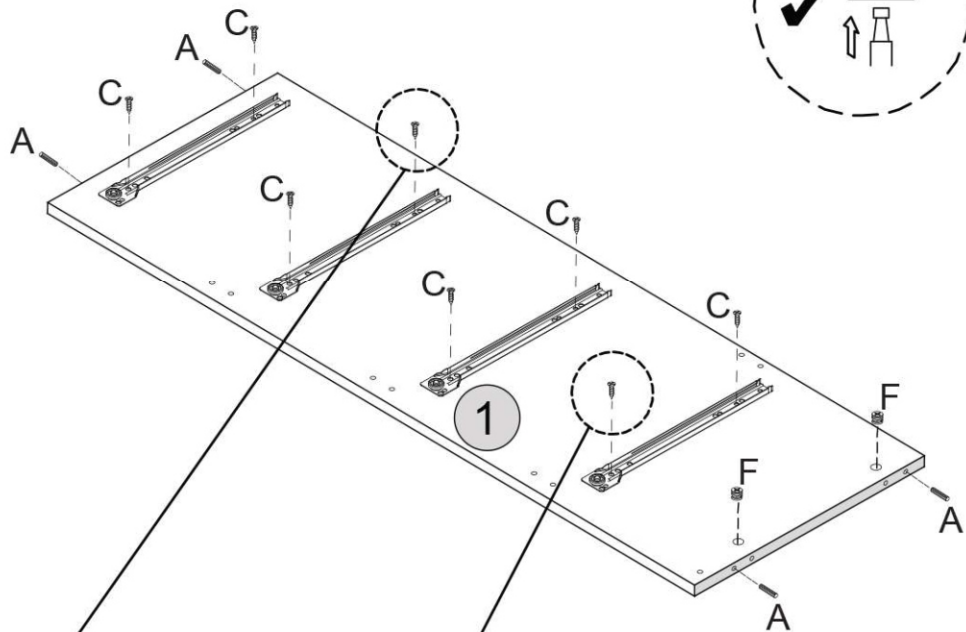
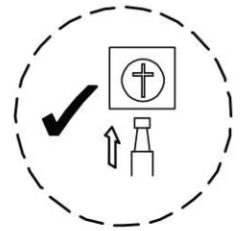
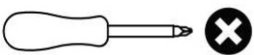
A  04

C  3.5x14mm 08

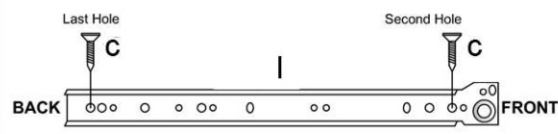
F  02

I  04

TOOLS REQUIRED



To Assemble the Drawer Slide, Please Follow Step as Below



STEP 3

PARTS REQUIRED

5 - CENTRE PANEL x1

HARDWARE REQUIRED

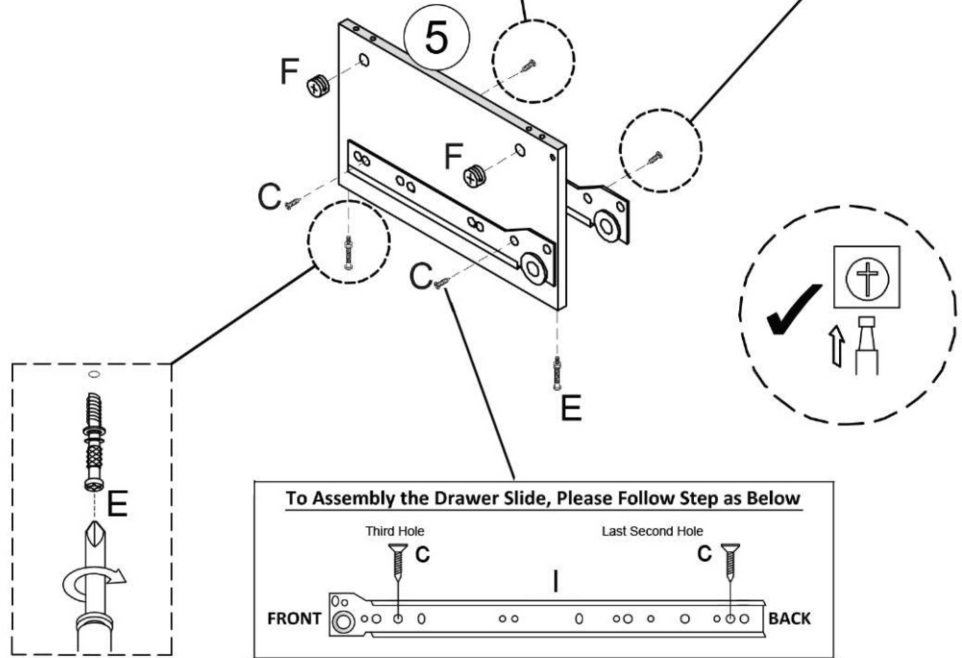
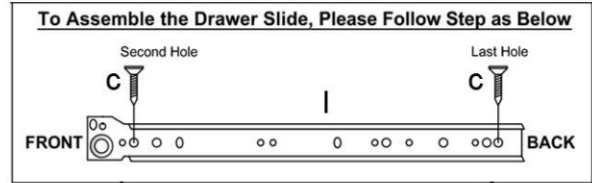
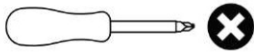
C  04
3.5x14mm

E  02

F  02

I  02

TOOLS REQUIRED



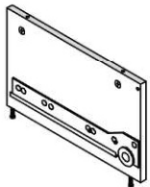
STEP 4

PARTS REQUIRED

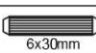
6 - SUPPORT TOP x2

7 - CENTRE SUPPORT x2

8 - SUPPORT PANEL x2

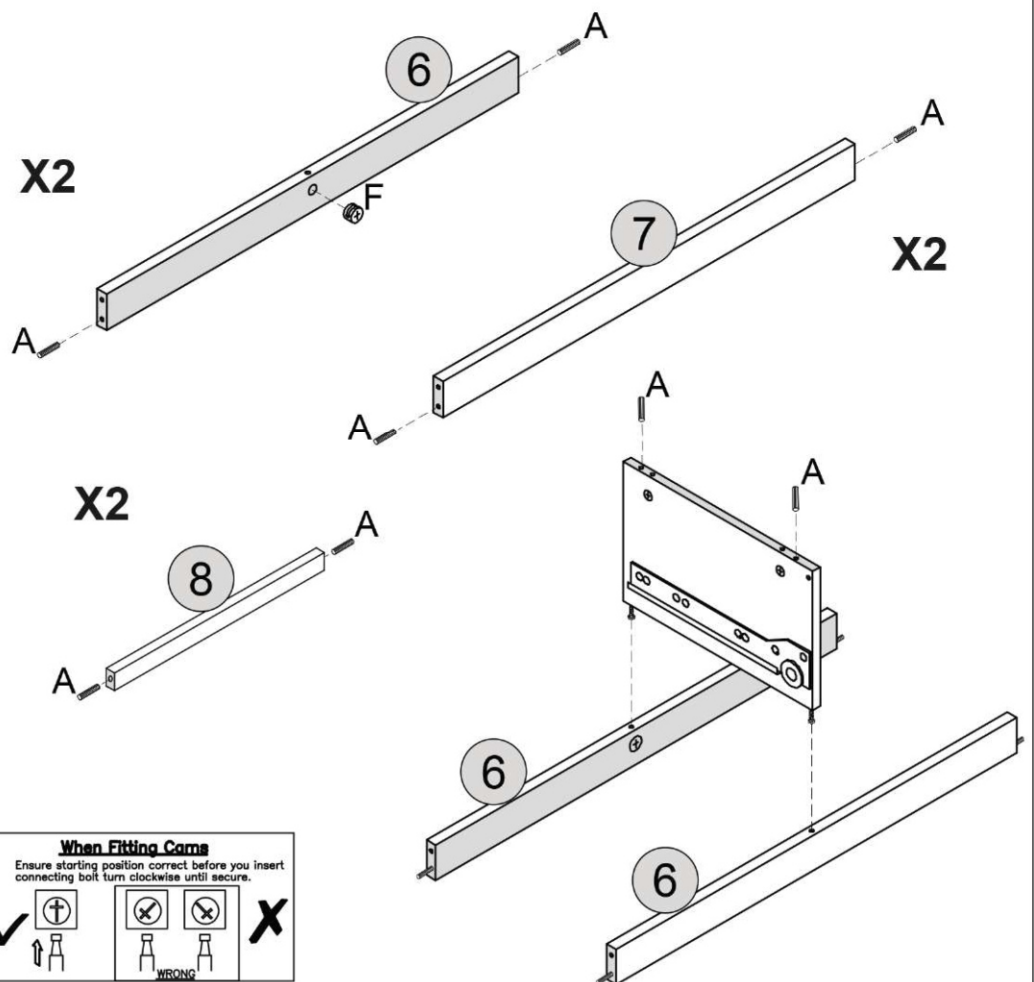
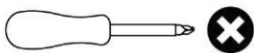


HARDWARE REQUIRED

A  14
6x30mm

F  02

TOOLS REQUIRED




STEP 5

PARTS REQUIRED

4 - TOP PANEL x1

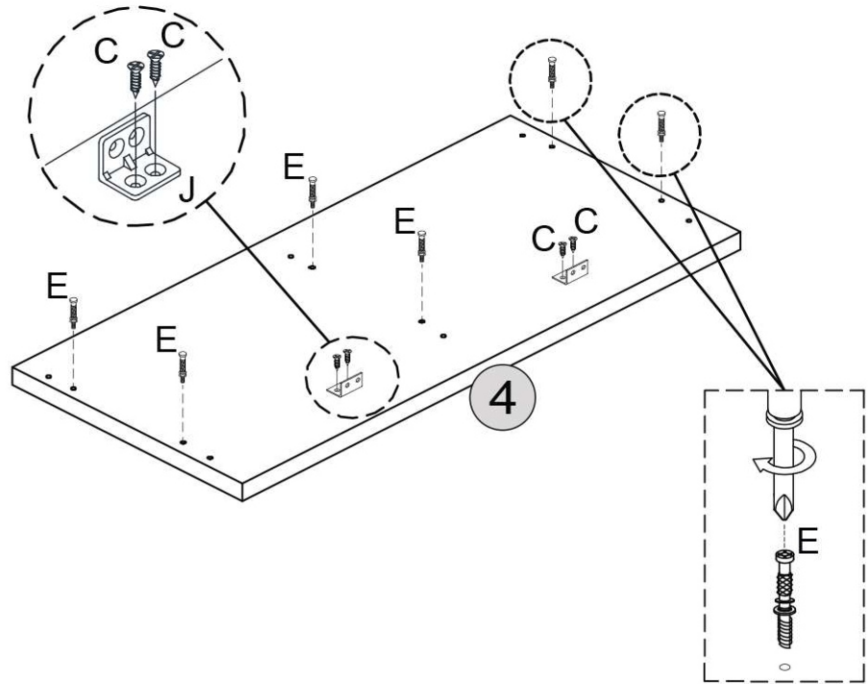
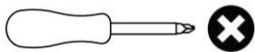
HARDWARE REQUIRED

C  04
3.5x14mm

E  06

J  02

TOOLS REQUIRED

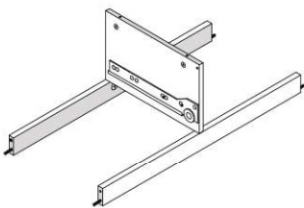


STEP 6

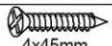
PARTS REQUIRED

2 - LEFT SIDE PANEL x1

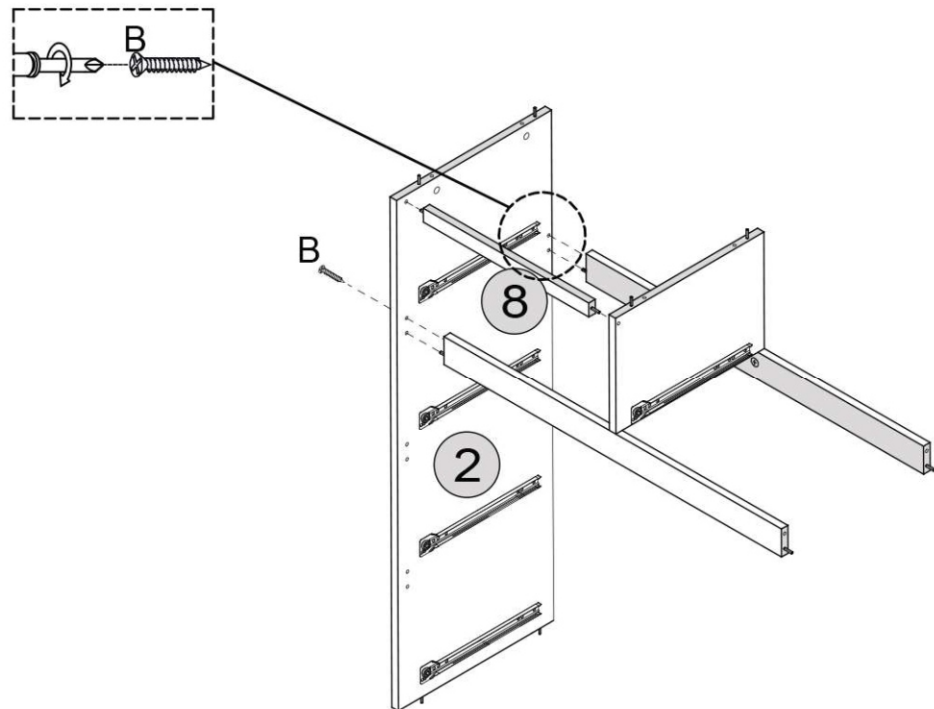
8 - SUPPORT PANEL x1



HARDWARE REQUIRED

B  02
4x45mm

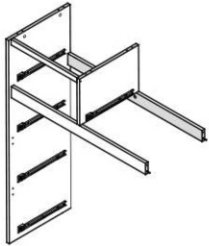
TOOLS REQUIRED



STEP 7

PARTS REQUIRED

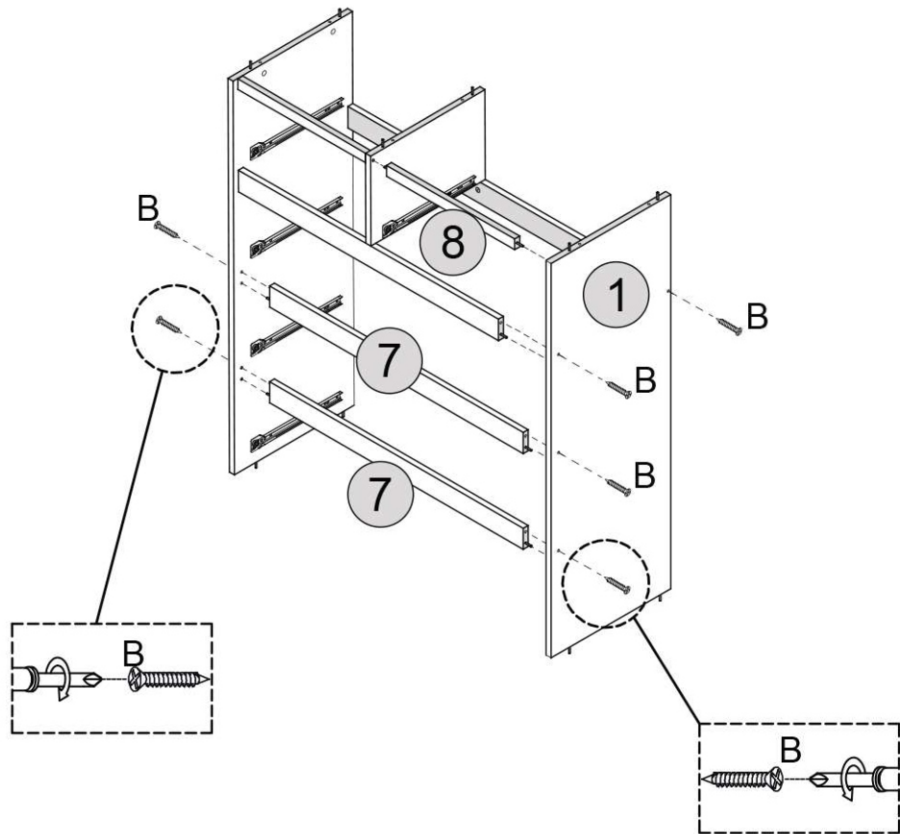
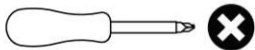
- 1 - RIGHT SIDE PANEL x1
- 7 - CENTRE SUPPORT x2
- 8 - SUPPORT PANEL x1



HARDWARE REQUIRED

- B  06

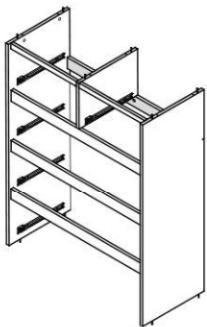
TOOLS REQUIRED



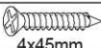
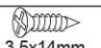
STEP 8

PARTS REQUIRED

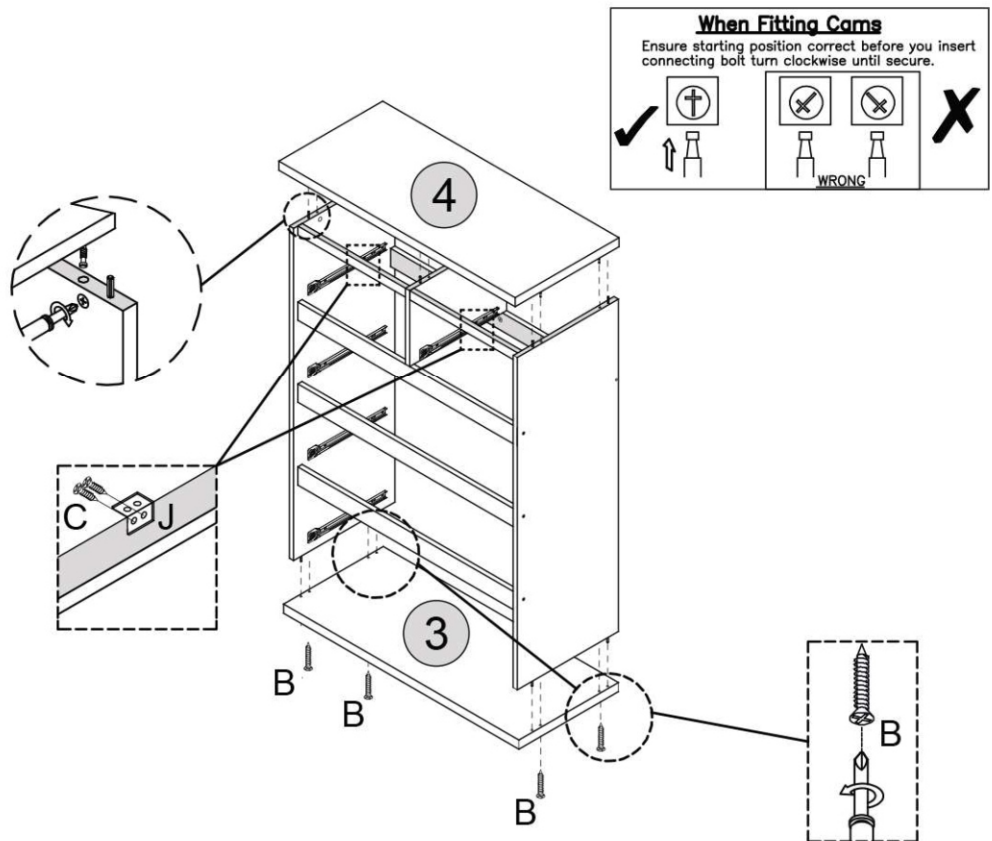
- 3 - BOTTOM PANEL x1
- 4 - TOP PANEL x1



HARDWARE REQUIRED

- B  04
- C  04

TOOLS REQUIRED



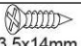
STEP 9

PARTS REQUIRED


21 - BACK PANEL x2



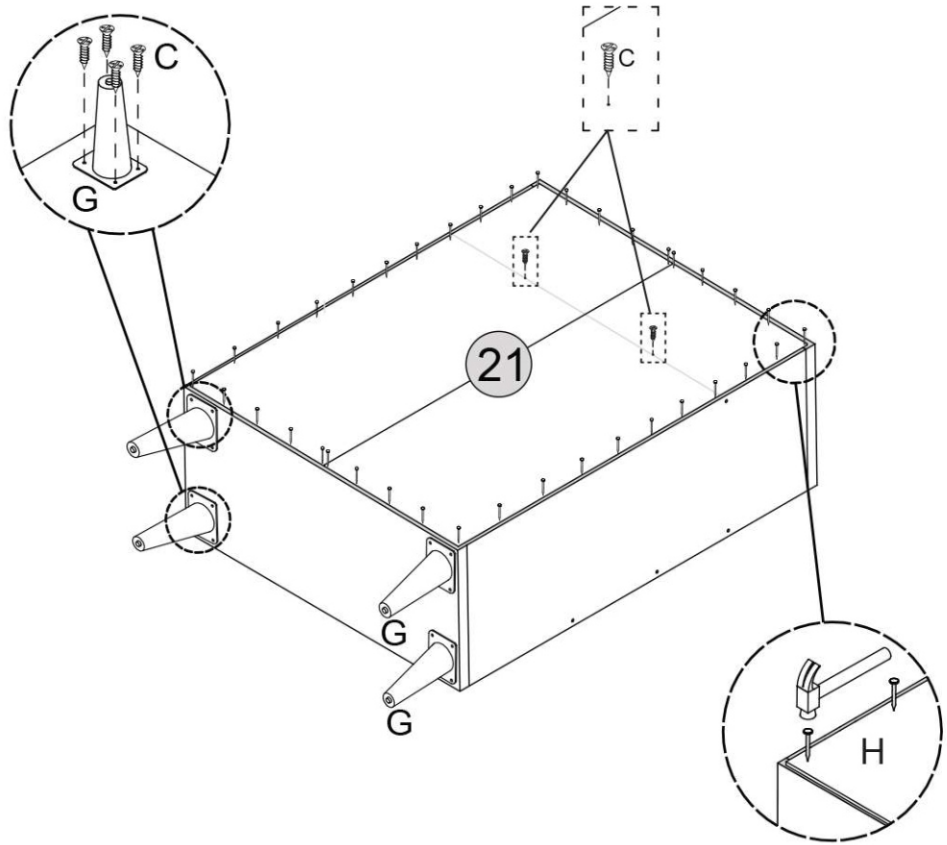
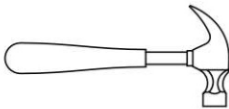
HARDWARE REQUIRED

C  18
3.5x14mm

G  04

H  45

TOOLS REQUIRED



STEP 10

PARTS REQUIRED

9 - DRAWER FRONT LARGE x1


14 - LEFT DRAWER SIDE x1

15 - RIGHT DRAWER SIDE x1

18 - DRAWER SUPPORT x1

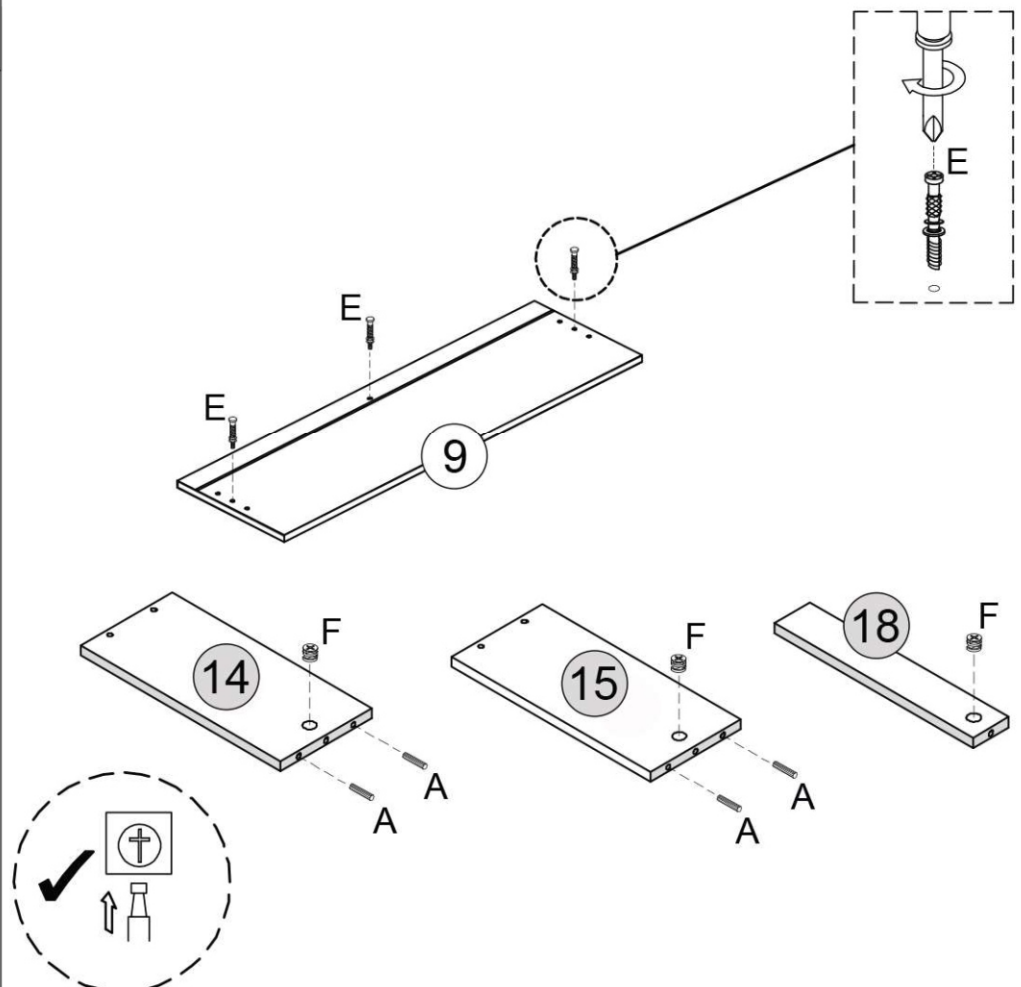
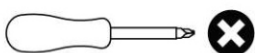
HARDWARE REQUIRED

A  04

E  03

F  03

TOOLS REQUIRED




STEP 11

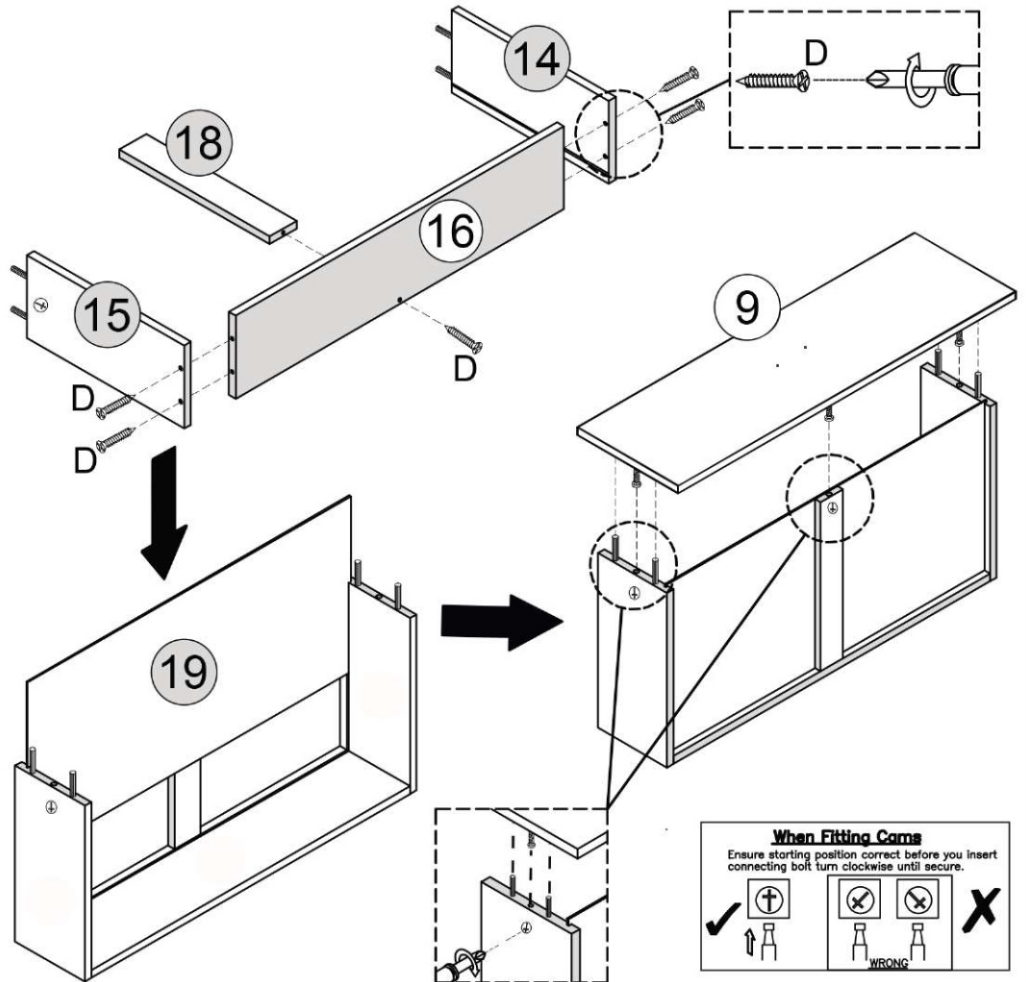
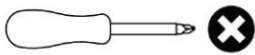
PARTS REQUIRED

9 - DRAWER FRONT LARGE	x1
14 - LEFT DRAWER SIDE	x1
15 - RIGHT DRAWER SIDE	x1
16 - DRAWER BACK LARGE	x1
18 - DRAWER SUPPORT	x1
19 - DRAWER BASE LARGE	x1

HARDWARE REQUIRED

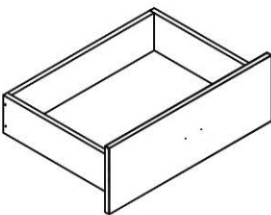
D		05
---	---	----

TOOLS REQUIRED

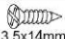




STEP 12

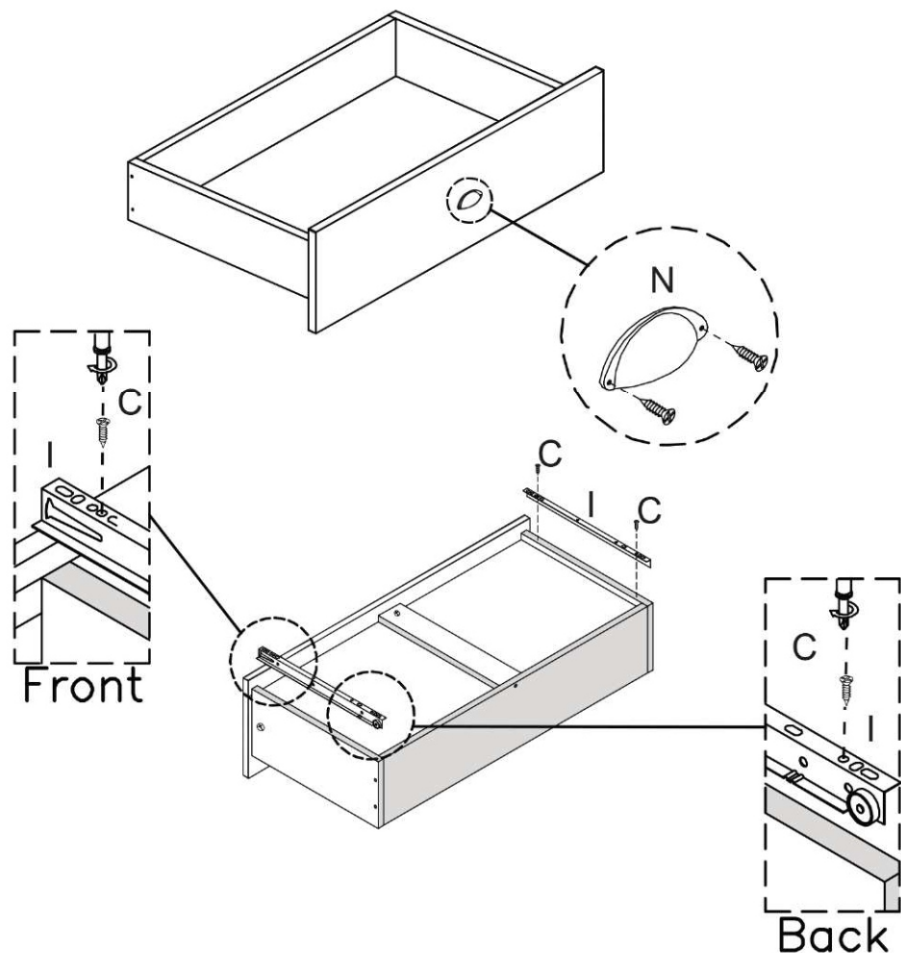
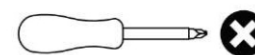
PARTS REQUIRED



HARDWARE REQUIRED

C		04
I		01
N		01

TOOLS REQUIRED






STEP 13

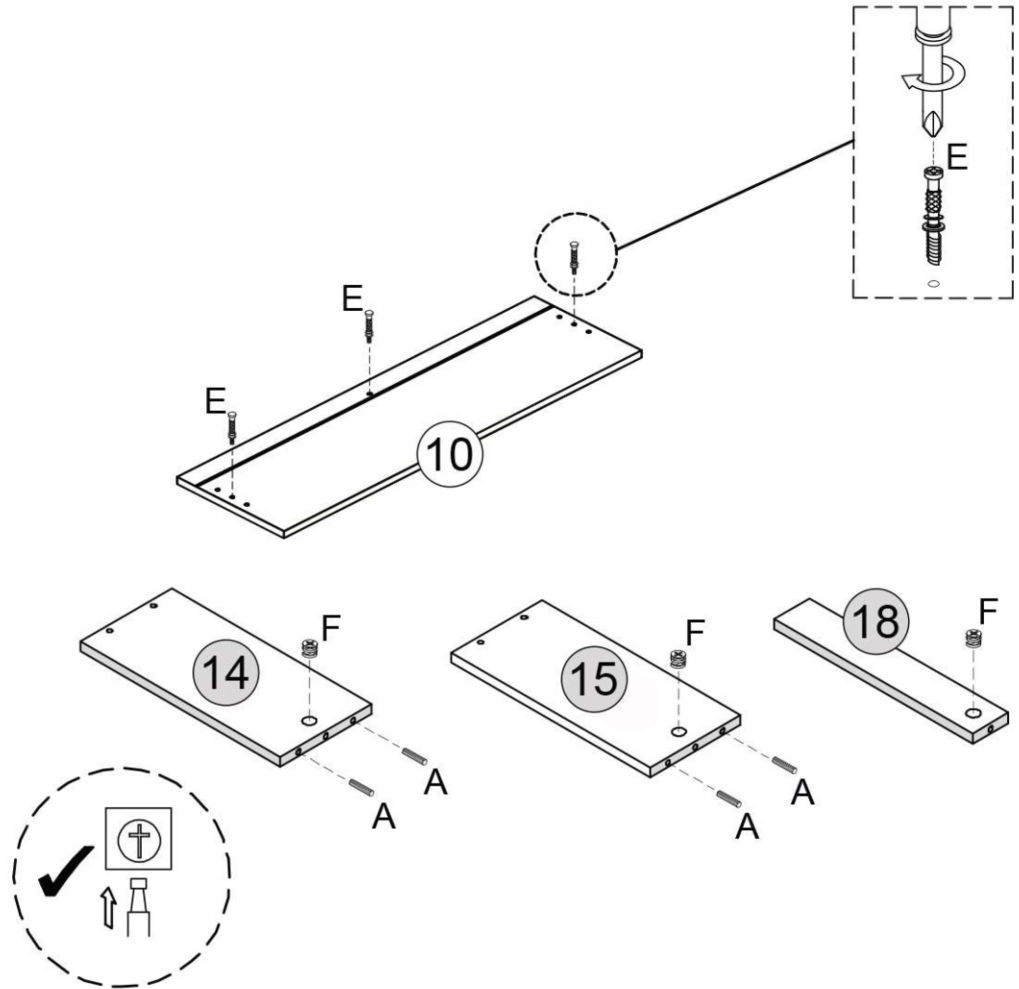
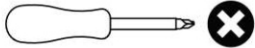
PARTS REQUIRED

10 -DRAWER FRONT LARGE	x1
14 -LEFT DRAWER SIDE	x1
15 -RIGHT DRAWER SIDE	x1
18 -DRAWER SUPPORT	x1

HARDWARE REQUIRED

A		04
E		03
F		03

TOOLS REQUIRED



STEP 14

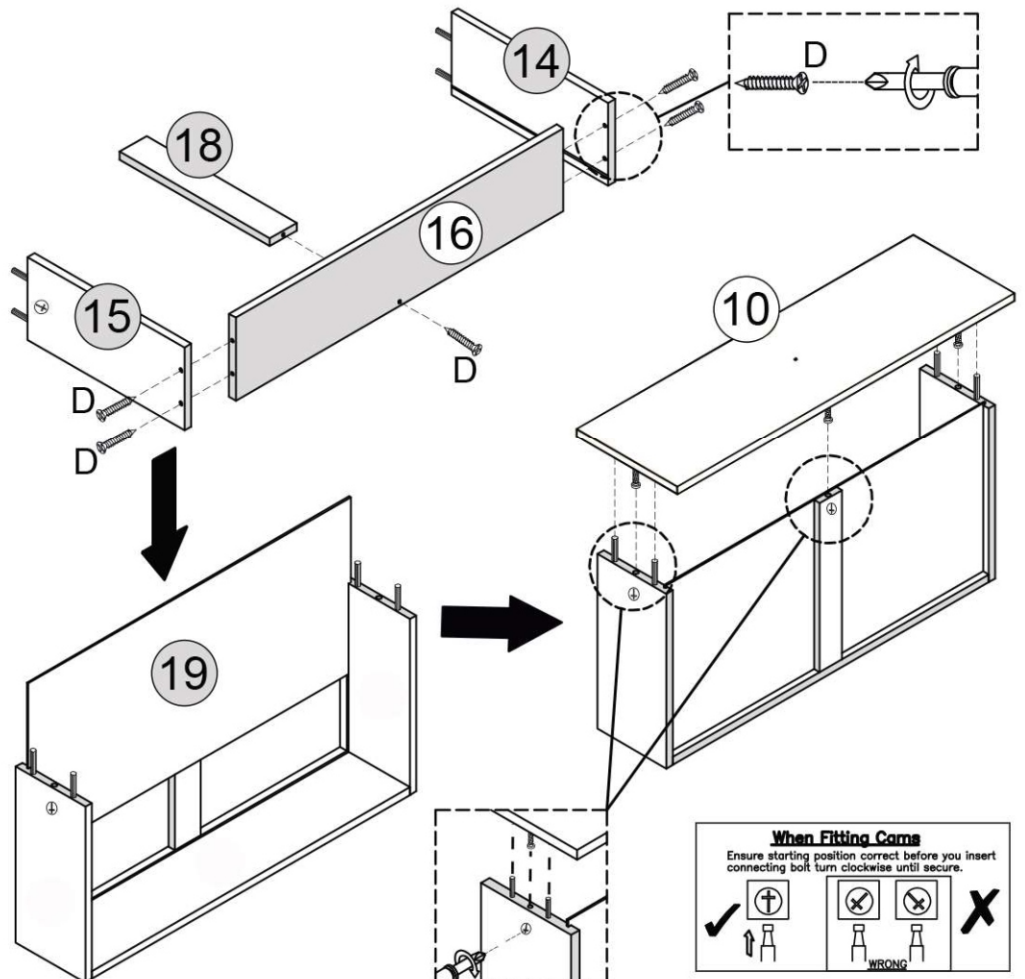
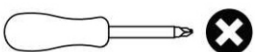
PARTS REQUIRED

10 -DRAWER FRONT LARGE	x1
14 -LEFT DRAWER SIDE	x1
15 -RIGHT DRAWER SIDE	x1
16 -DRAWER BACK LARGE	x1
18 -DRAWER SUPPORT	x1
19 -DRAWER BASE LARGE	x1

HARDWARE REQUIRED

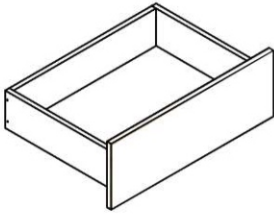
D		05
---	---	----

TOOLS REQUIRED



STEP 15

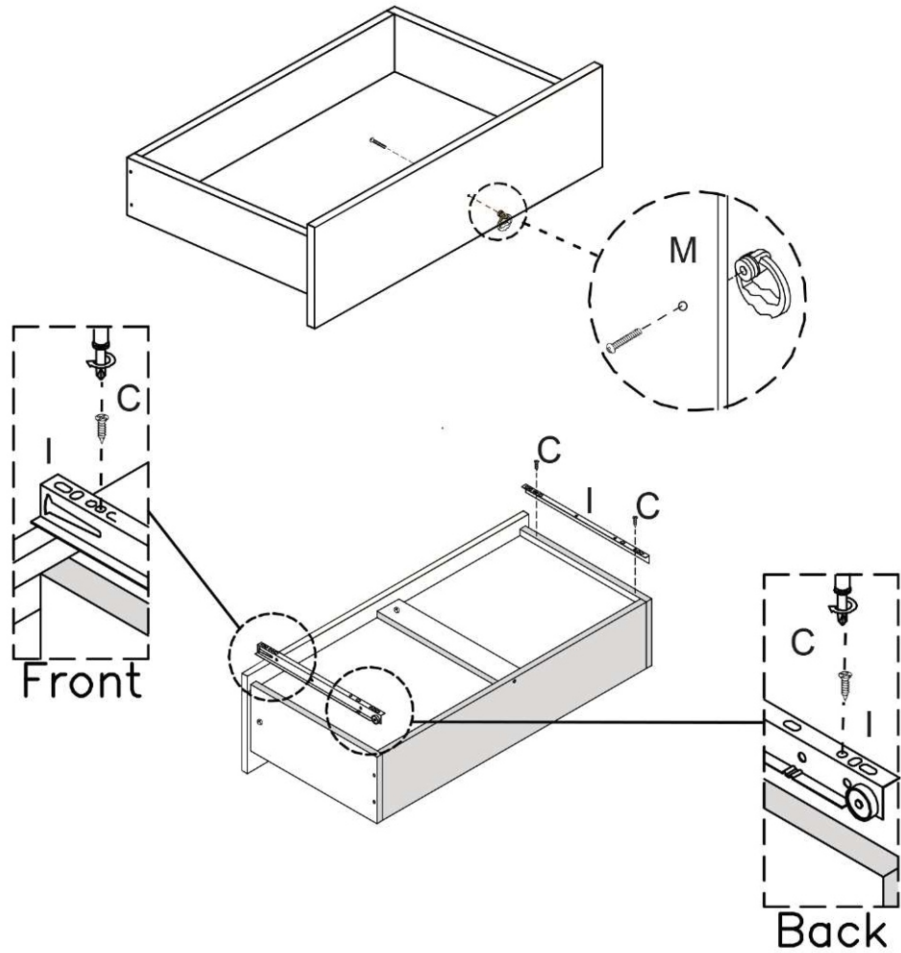
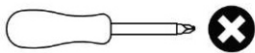
PARTS REQUIRED



HARDWARE REQUIRED



TOOLS REQUIRED



STEP 16

PARTS REQUIRED

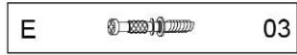
11 - DRAWER FRONT LARGE x1

14 - LEFT DRAWER SIDE x1

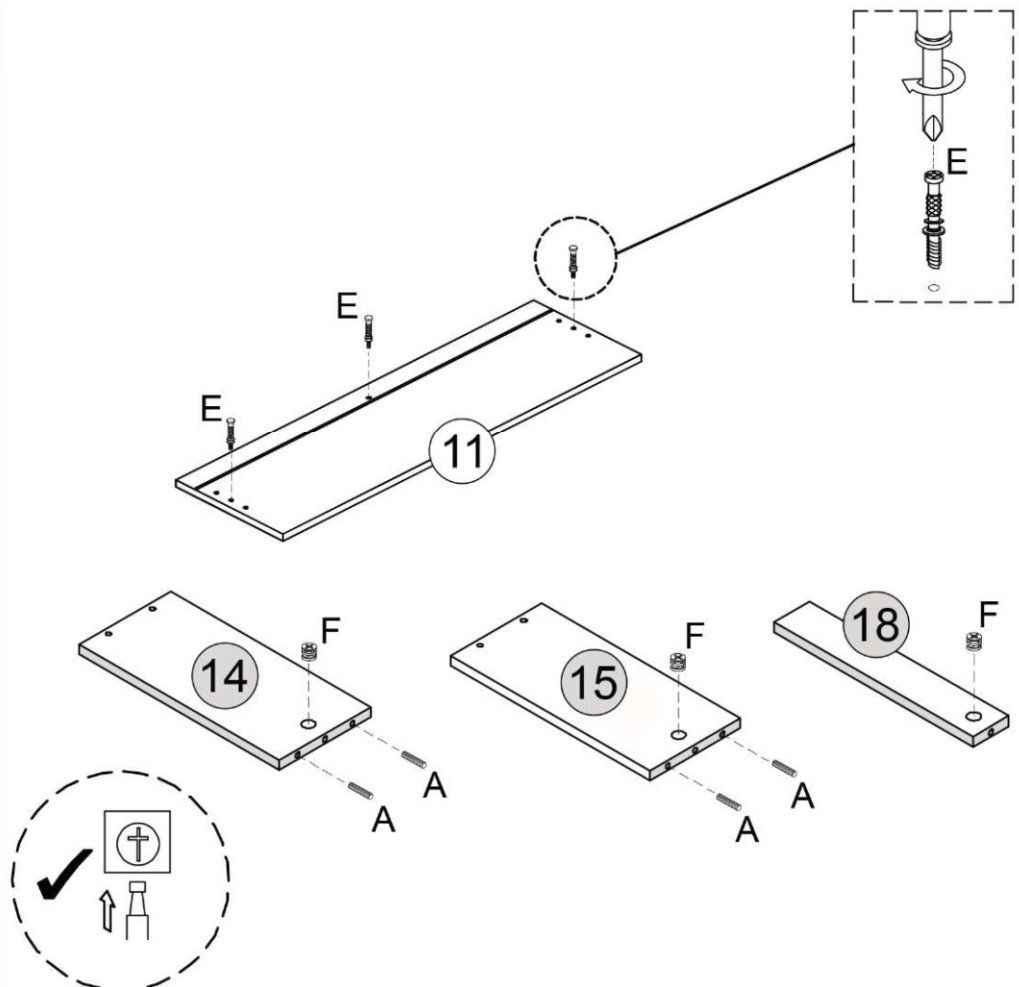
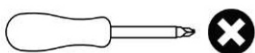
15 - RIGHT DRAWER SIDE x1

18 - DRAWER SUPPORT x1

HARDWARE REQUIRED



TOOLS REQUIRED




STEP 17

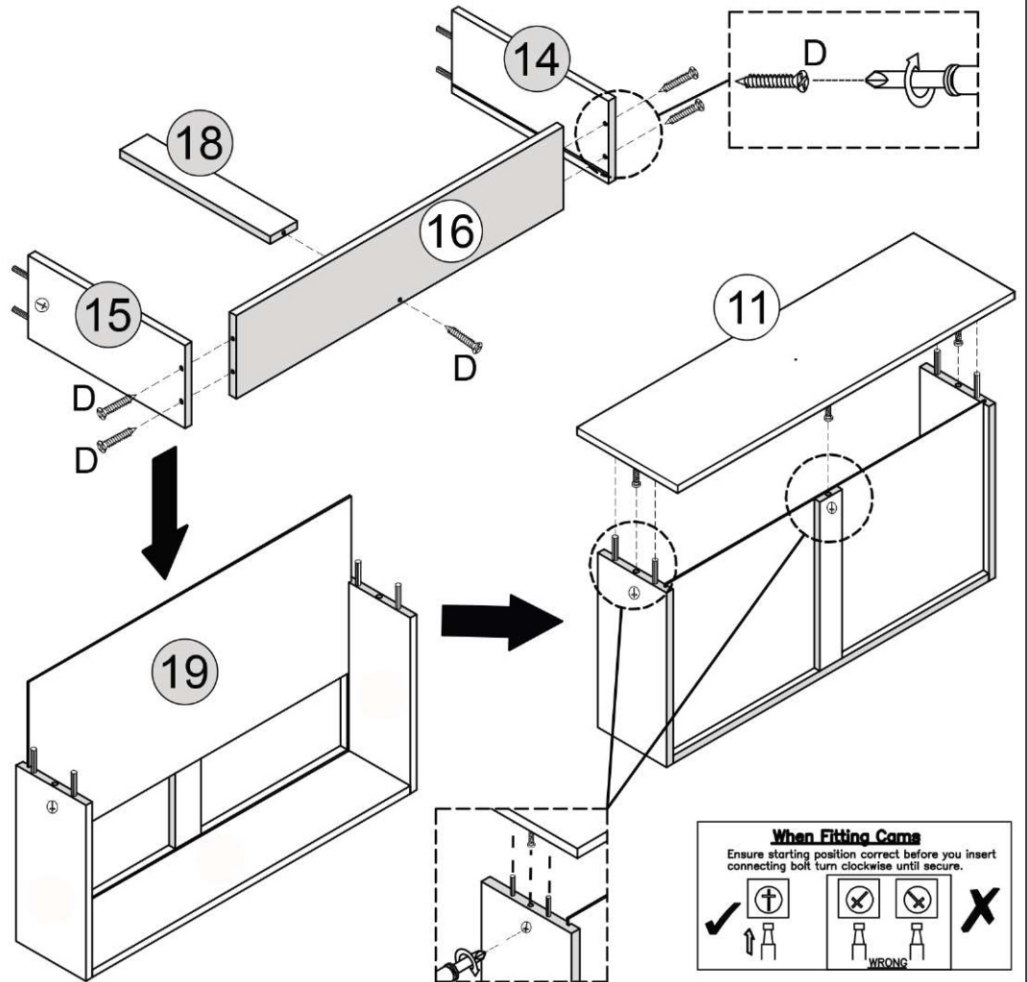
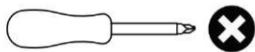
PARTS REQUIRED

11 - DRAWER FRONT LARGE	x1
14 - LEFT DRAWER SIDE	x1
15 - RIGHT DRAWER SIDE	x1
16 - DRAWER BACK LARGE	x1
18 - DRAWER SUPPORT	x1
19 - DRAWER BASE LARGE	x1

HARDWARE REQUIRED

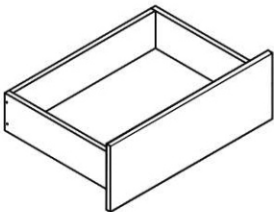
D		05
---	---	----

TOOLS REQUIRED

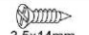




STEP 18

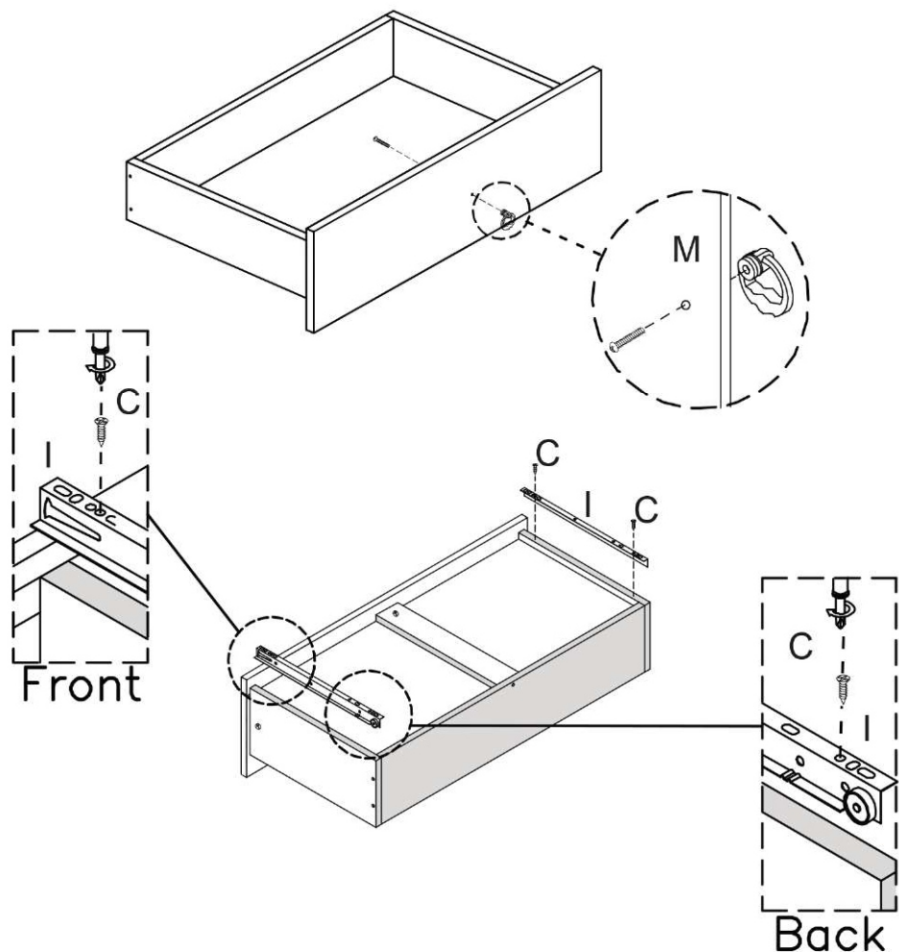
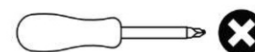
PARTS REQUIRED



HARDWARE REQUIRED

C		04
I		01
M		01

TOOLS REQUIRED


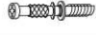



STEP 19

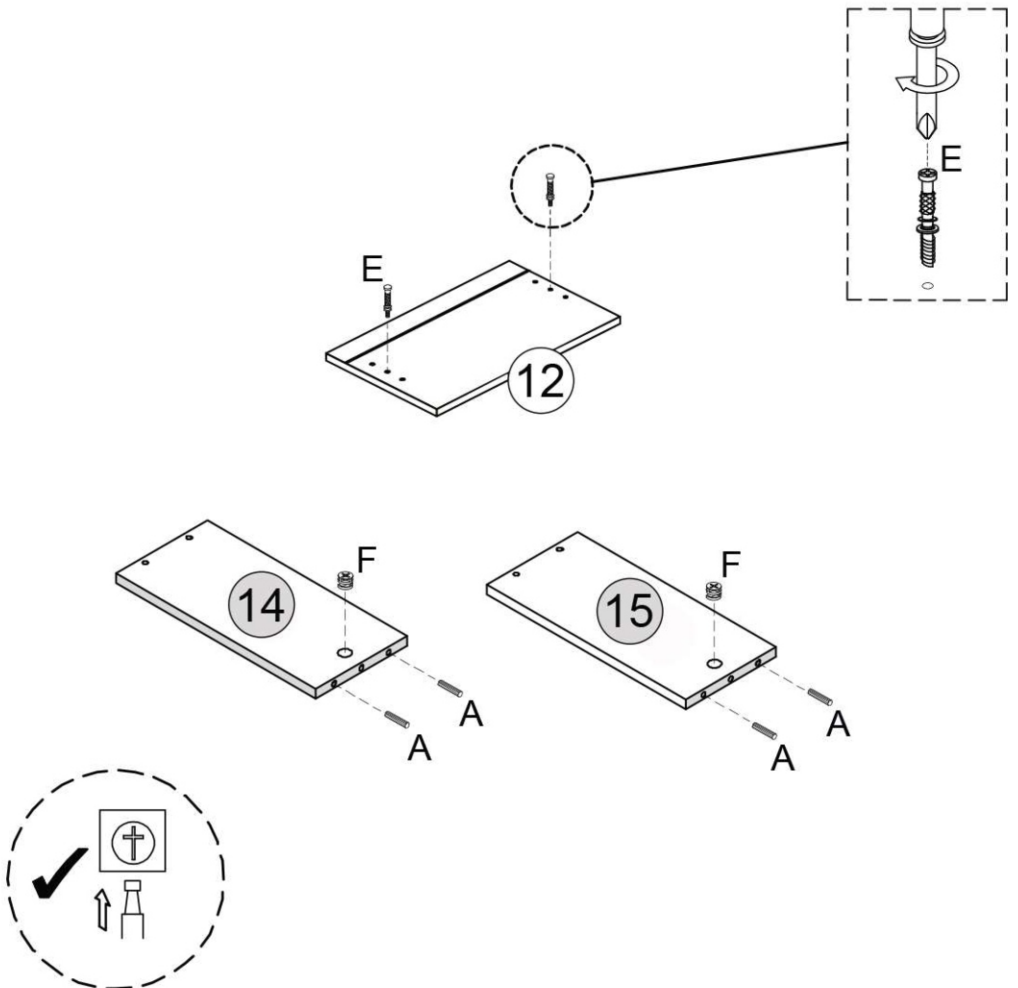
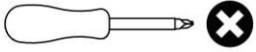
PARTS REQUIRED

- 12 -DRAWER FRONT LARGE x1
- 14 -LEFT DRAWER SIDE x1
- 15 -RIGHT DRAWER SIDE x1

HARDWARE REQUIRED

- A  04
- E  02
- F  02

TOOLS REQUIRED



STEP 20

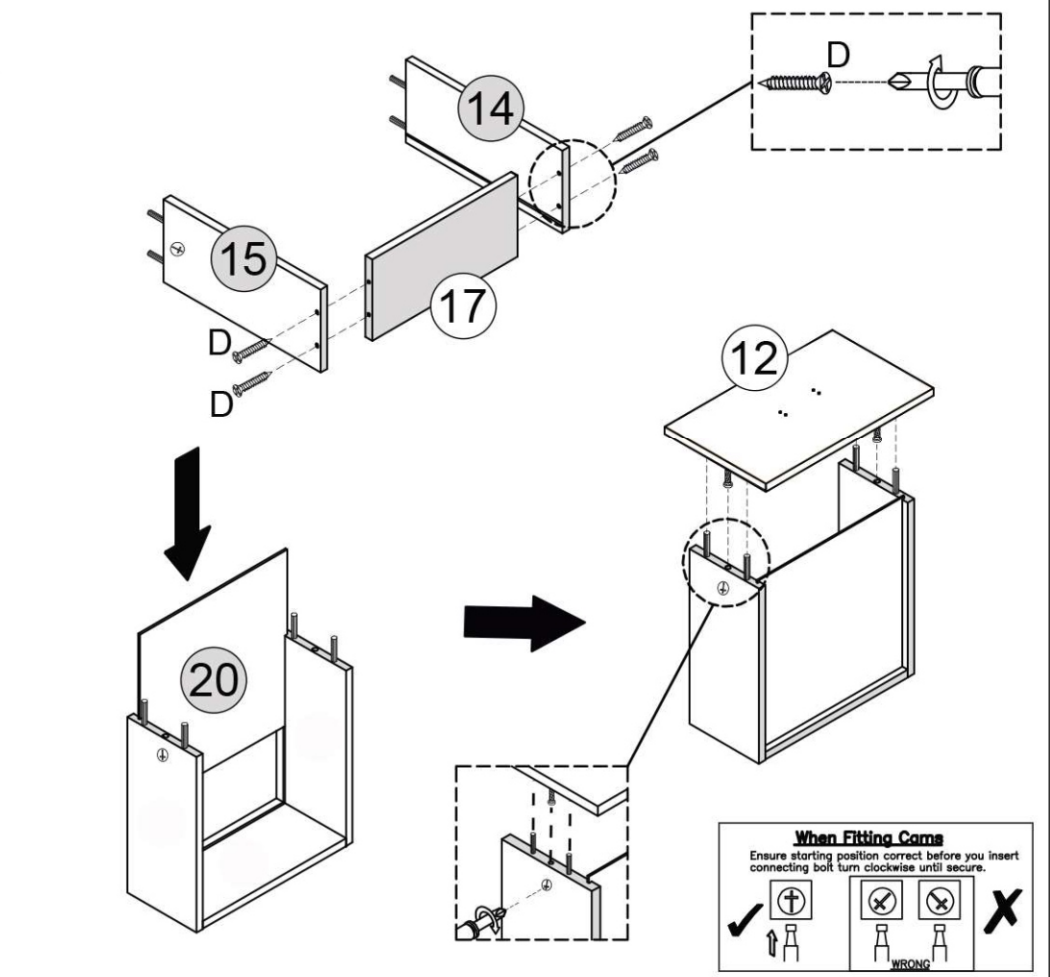
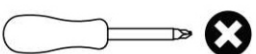
PARTS REQUIRED

- 12 -RIGHT DRAWER FRONT SMALLx1
- 14 -LEFT DRAWER SIDE x1
- 15 -RIGHT DRAWER SIDE x1
- 17 -DRAWER BACK SMALL x1
- 20 -DRAWER BASE SMALL x1

HARDWARE REQUIRED

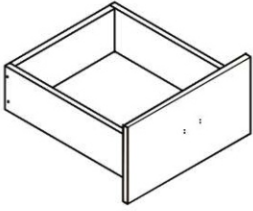
- D  4x38mm 04

TOOLS REQUIRED

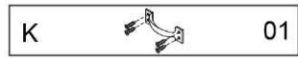


STEP 21

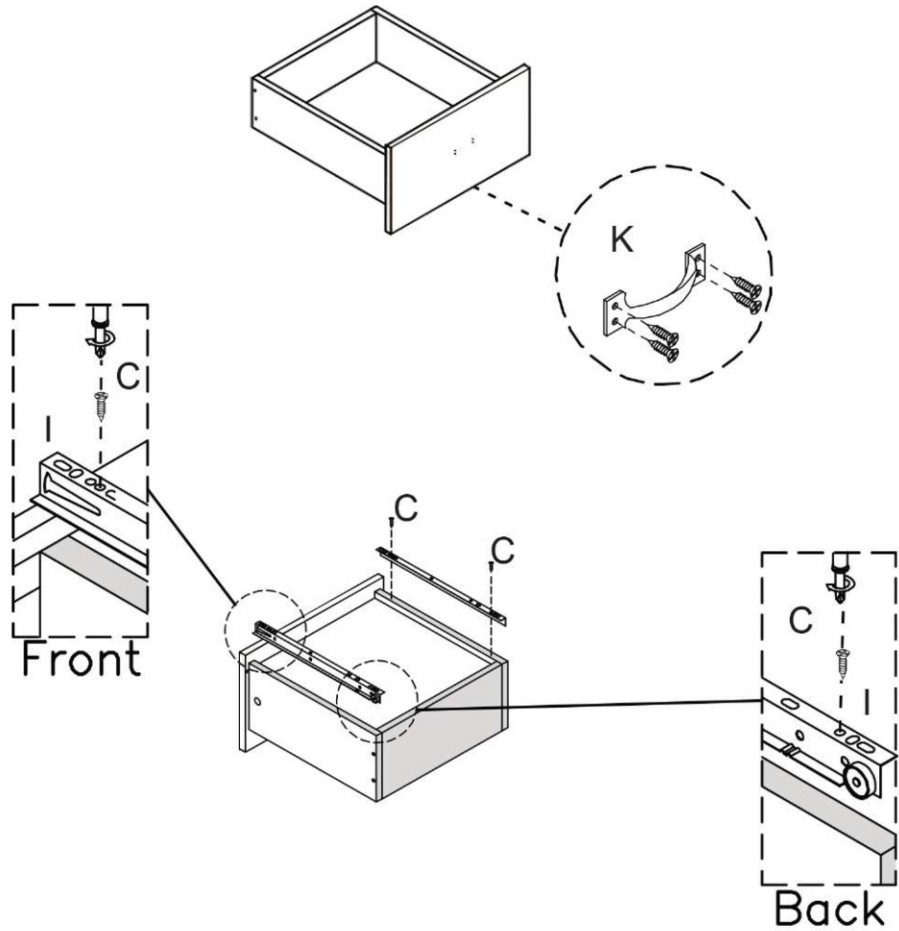
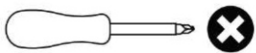
PARTS REQUIRED



HARDWARE REQUIRED



TOOLS REQUIRED



STEP 22

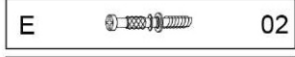
PARTS REQUIRED

13 - LEFT DRAWER FRONT SMALL x1

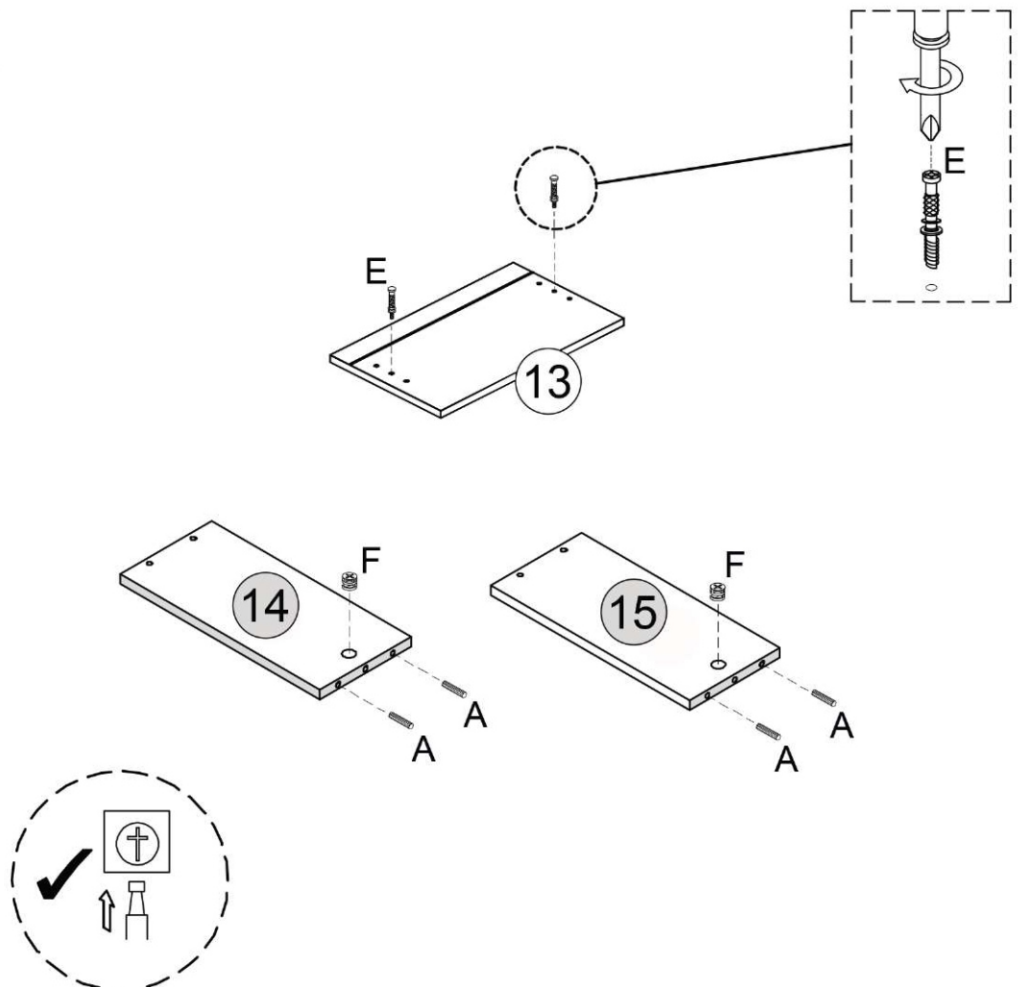
14 - LEFT DRAWER SIDE x1

15 - RIGHT DRAWER SIDE x1

HARDWARE REQUIRED



TOOLS REQUIRED



STEP 23

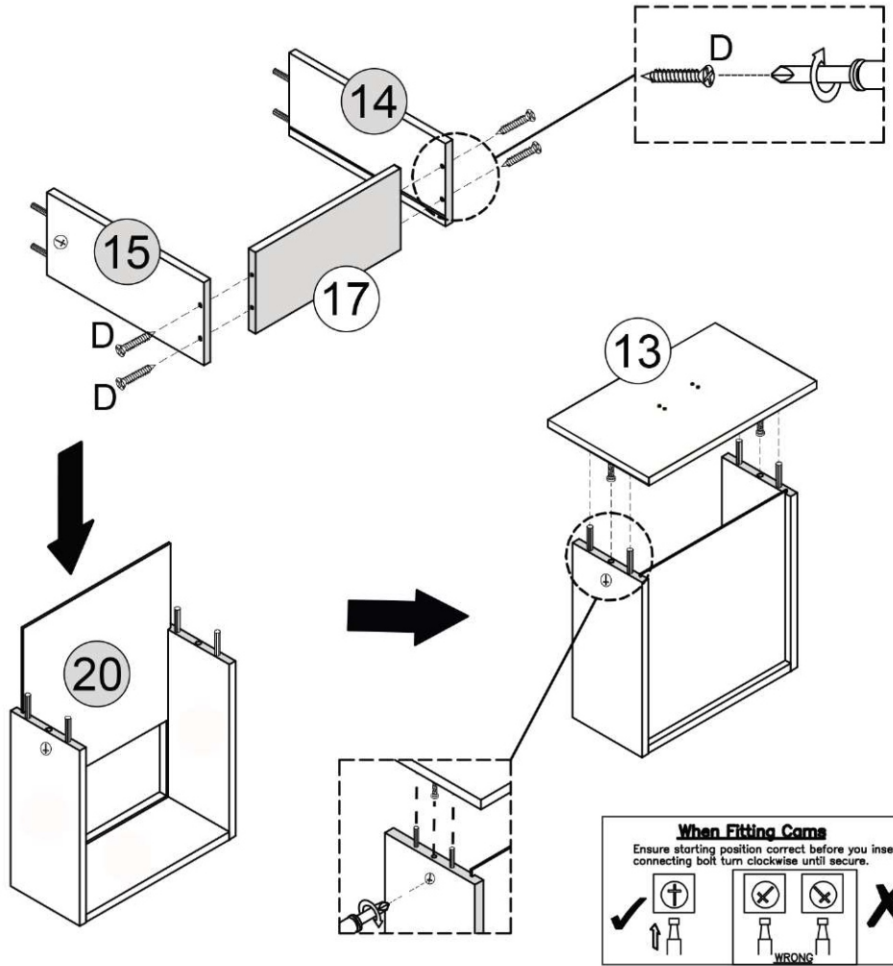
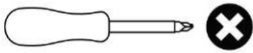
PARTS REQUIRED

- 13 - LEFT DRAWER FRONT SMALL x1
- 14 - LEFT DRAWER SIDE x1
- 15 - RIGHT DRAWER SIDE x1
- 17 - DRAWER BACK SMALL x1
- 20 - DRAWER BASE SMALL x1

HARDWARE REQUIRED

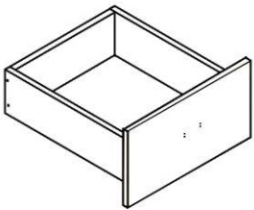
- D  04
4x38mm

TOOLS REQUIRED

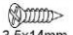




STEP 24

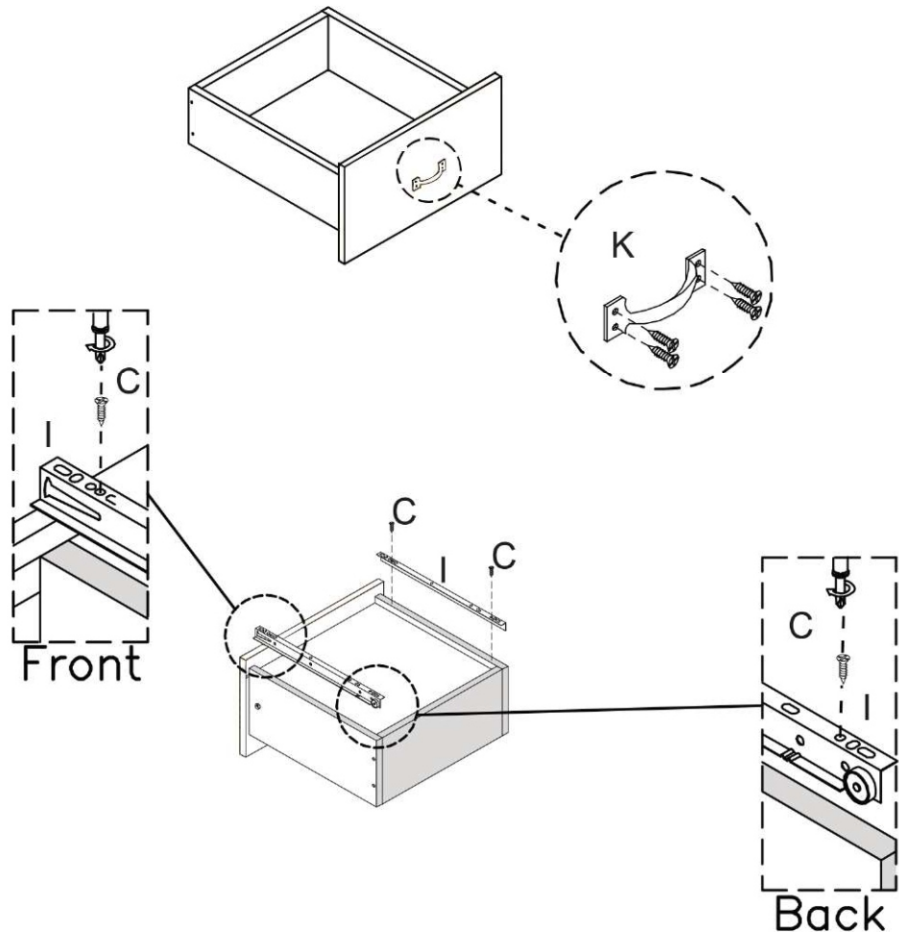
PARTS REQUIRED



HARDWARE REQUIRED

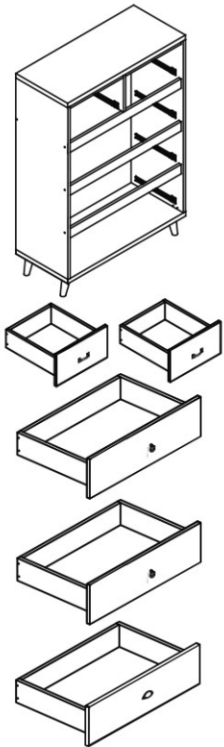
- C  04
3.5x14mm
- I  01
- K  01

TOOLS REQUIRED

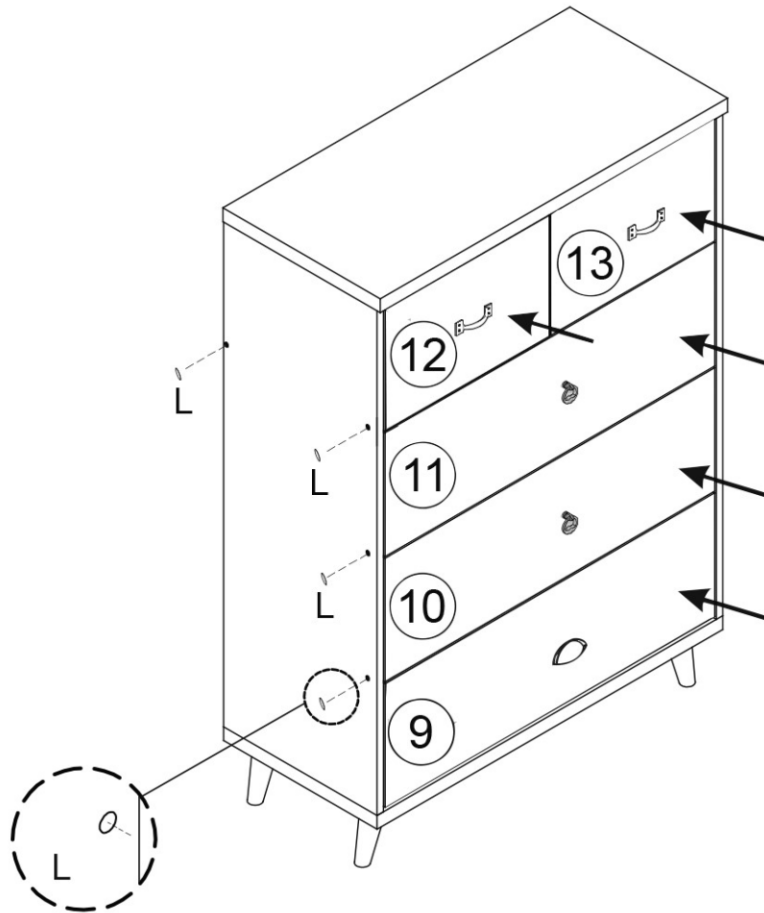


STEP 25

PARTS REQUIRED



HARDWARE REQUIRED



STEP 26



HARDWARE REQUIRED



TOOLS REQUIRED



WARNING

Serious or fatal injuries can occur from furniture tipping over. To prevent the furniture from tipping over we recommend that it is permanently fixed to the wall.

Wall fixings are not supplied with this product as different wall materials require different types of fixing devices. Please make sure you use fixings suitable for the walls in your home.

