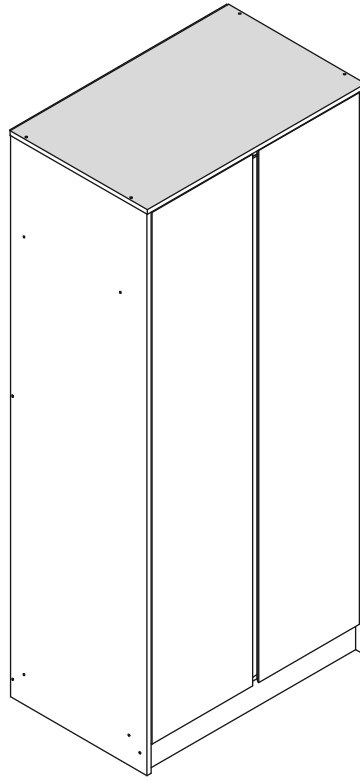


# WHITE MALVERN 2 DOOR WARDROBE ASSEMBLY INSTRUCTIONS



**FOR DOMESTIC USE ONLY  
IMPORTANT**

**PLEASE READ BEFORE YOU CONTINUE FURTHER**

THE PRODUCT YOU HAVE PURCHASED WILL GIVE YOU MANY YEARS OF SERVICE IF YOU FOLLOW THE GUIDELINES FOR ITS SAFE ASSEMBLY AND PERIODIC MAINTENANCE AND CLEANING.

ASSEMBLE ON A SOFT CLEAN SURFACE.

DO NOT USE ANY TOOLS OTHER THAN THOSE SHOWN.

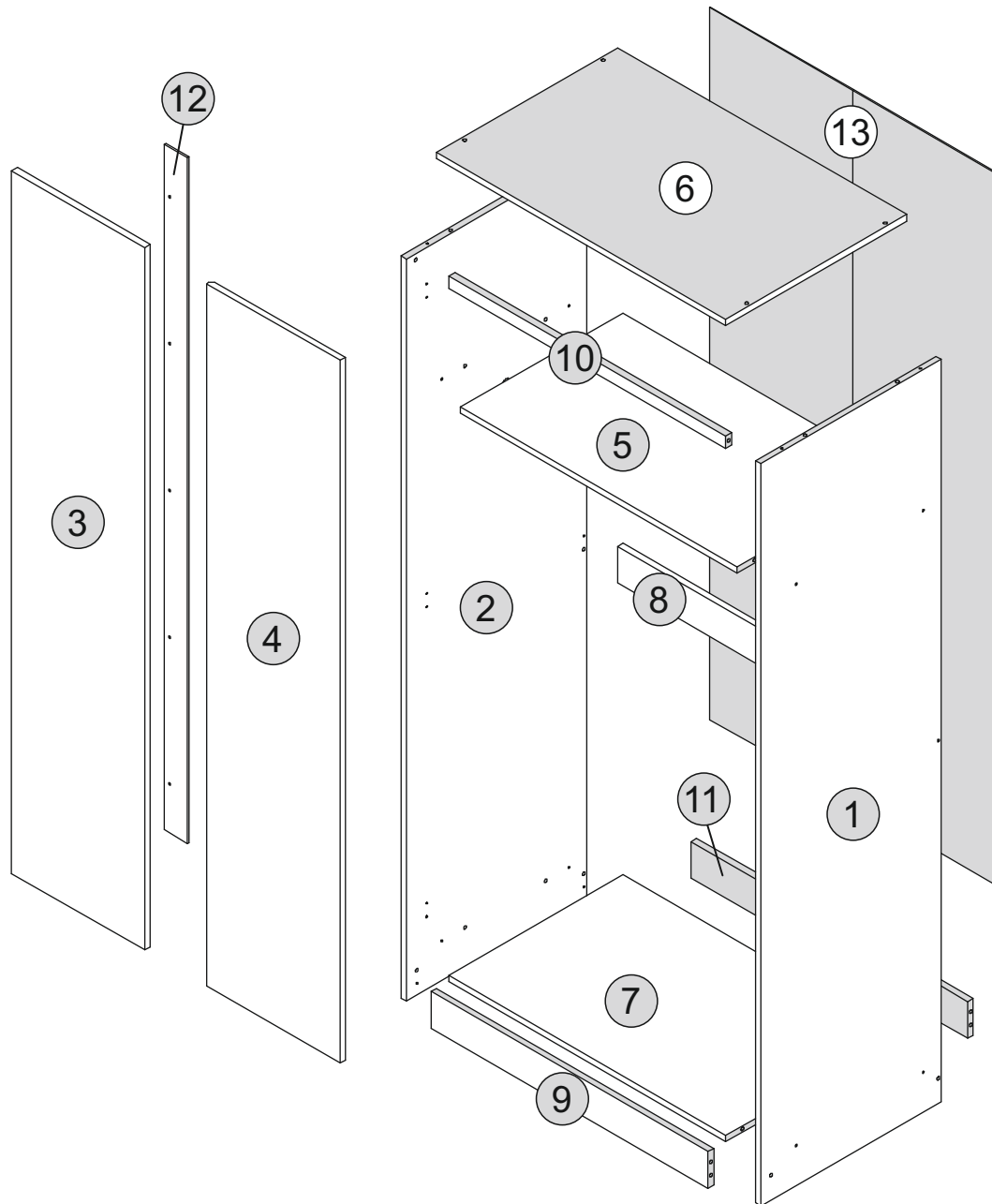
ANY SPANNERS OR ALLEN KEYS REQUIRED ARE INCLUDED WITH THE FITTING KIT.

DO NOT FOR ANY REASON USE A POWER TOOL TO ASSEMBLE THIS PRODUCT. ITS USE WILL INVALIDATE ANY CLAIM YOU MAY HAVE AND COULD MAKE THIS PRODUCT UNSAFE.

DEPENDING ON THE AMOUNT OF USE THIS PRODUCT RECEIVES, IT MAY BE NECESSARY TO TIGHTEN UP THE FIXINGS FROM TIME TO TIME. THIS IS COMPLETELY NORMAL FOR ANY FLAT PACK FURNITURE. DO NOT OVERTIGHTEN FIXINGS.

FOR CLEANING, YOU MAY USE A DAMP CLOTH (NOT WET). DO NOT USE POLISH, DETERGENT OR CHEMICAL CLEANERS.

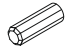
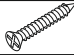


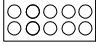


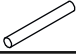


THIS SURFACE OF THIS ITEM IS NOT HEAT RESISTANT. ALWAYS USE A PLACE MAT UNDER HOT OR COLD ITEMS TO PREVENT MARKING.



## PART LIST

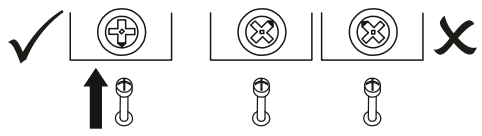
Part Number	Part Code	Part Description	Quantity	Carton
1	S100-101-168-ZF1-01	Right Side Panel	1	1/2
2	S100-101-168-ZF1-02	Left Side Panel	1	1/2
3	S100-101-168-ZF1-03	Left Door	1	1/2
4	S100-101-168-ZF1-04	Right Door	1	1/2
5	S100-101-168-ZF1-05	Shelf Panel	1	2/2
6	S100-101-168-ZF1-06	Top Panel	1	2/2
7	S100-101-168-ZF1-07	Bottom Panel	1	2/2
8	S100-101-168-ZF1-08	Back Support Panel	1	2/2
9	S100-101-168-ZF1-09	Front Crossbar	1	2/2
10	S100-101-168-ZF1-10	Support Panel	1	2/2
11	S100-101-168-ZF1-11	Back Crossbar	1	2/2
12	S100-101-168-ZF1-12	Door Support	1	1/2
13	S100-101-168-ZF1-13	Back Panel	1	1/2

# HARDWARE LIST

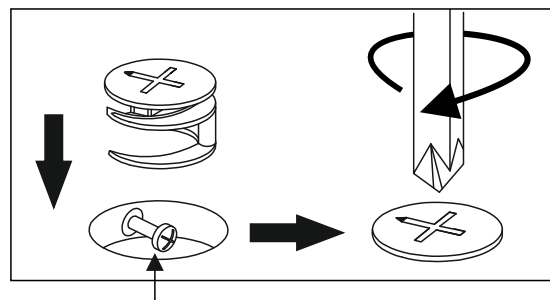
No	Part Name		Qty	Carton
A	M8x30mm Wooden Dowel		x20	1
B	M4x45mm Screw		x18	1
C	M3.5x16mm Screw		x35	1
D	PVC L-Bracket		x2	1
E	Screw Cover <small>(Sticker 12mm)</small>		x14	1
F	Plastic Foot		x5	1
G	6/8" Nail		x46	1
H	Hanging Rail (780mm)		x1	1
I	Wall Fixing <small>(4x20mm=1pc)</small>		x1	1
J	End Hinges <small>(M11)-Big</small>		x6	1

## TIPS FOR FITTINGS CAM-LOCKS

WHEN FITTING CAM NUT. ENSURE STARTING POSITION IS CORRECT BEFORE YOU INSERT CONNECTING CAM BOLT TURN CLOCKWISE UNTIL SECURE



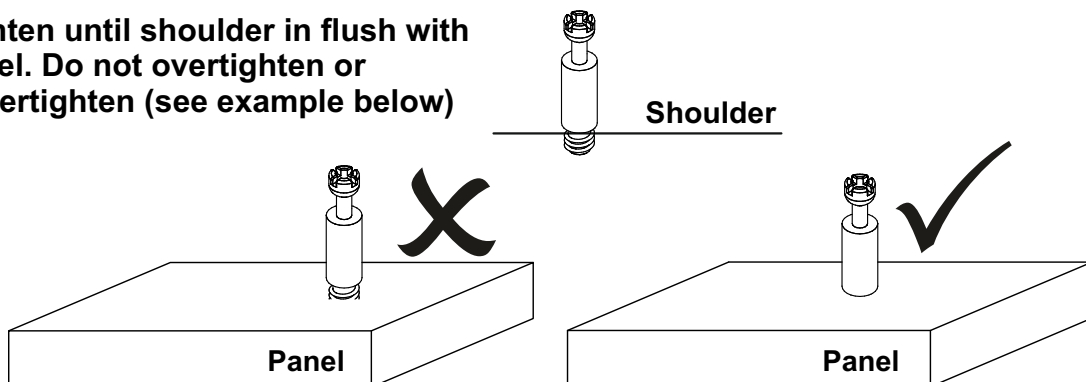
CORRECT
WRONG



**Cam bolt head needs to be in centre**

### CAMBOLT

**Tighten until shoulder in flush with panel. Do not overtighten or undertighten (see example below)**

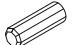




# STEP 1

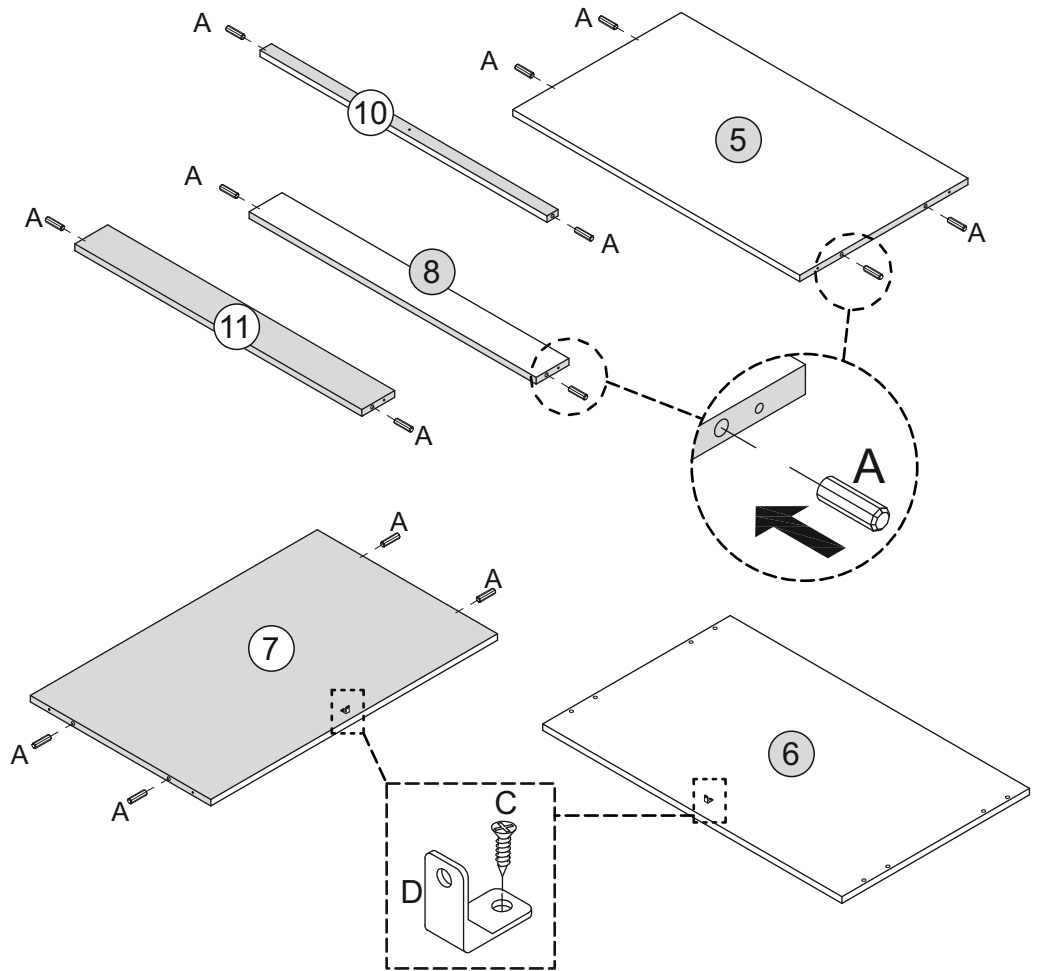
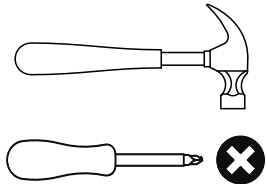
## PARTS REQUIRED

5 - SHELF PANEL	x1
6 - TOP PANEL	x1
7 - BOTTOM PANEL	x1
8 - BACK SUPPORT PANEL	x1
10 - SUPPORT PANEL	x1
11 - BACK CROSSBAR	x1

## HARDWARE REQUIRED

A		14
C		02
D		02

## TOOLS REQUIRED





# STEP 2

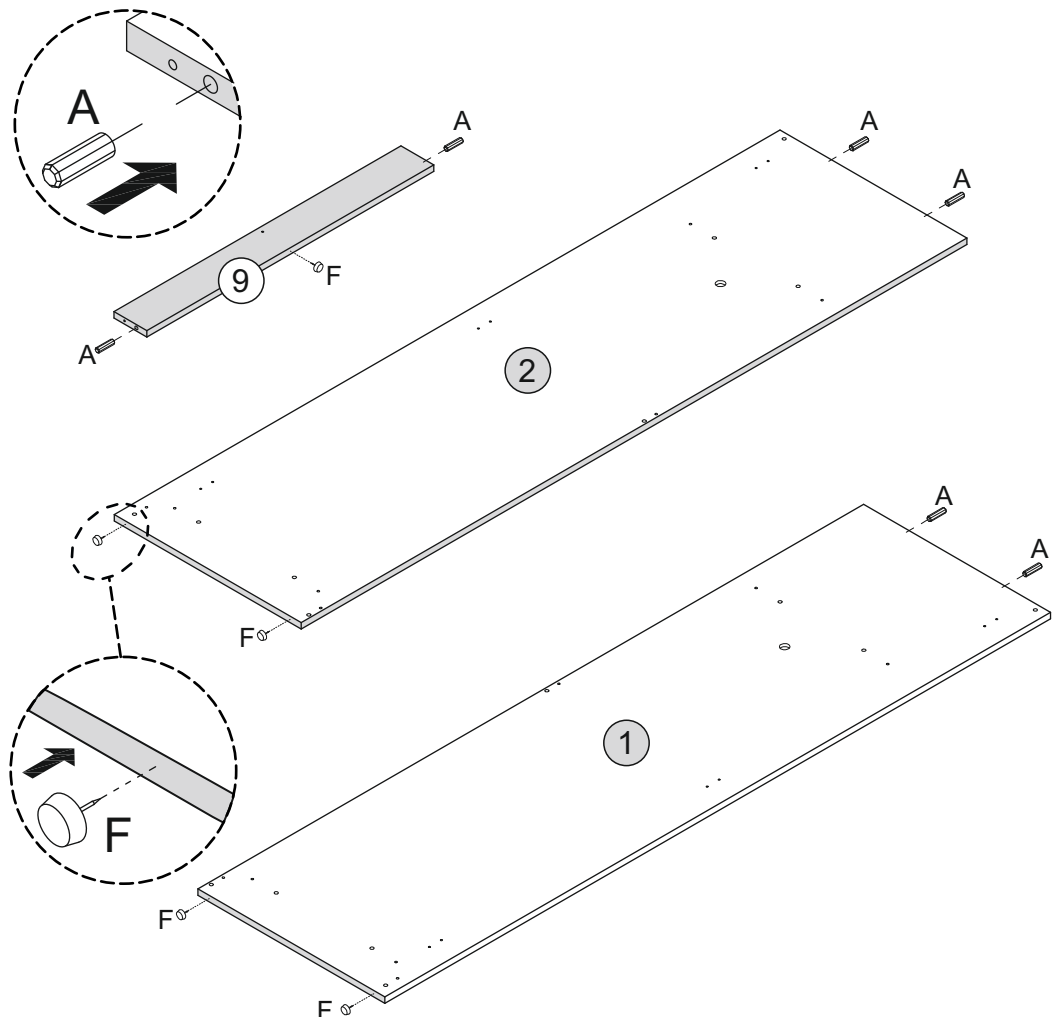
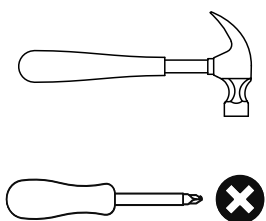
## PARTS REQUIRED

1 - RIGHT SIDE PANEL	x1
2 - LEFT SIDE PANEL	x1
9 - FRONT CROSSBAR	x1

## HARDWARE REQUIRED

A		06
F		05

## TOOLS REQUIRED





# STEP 3

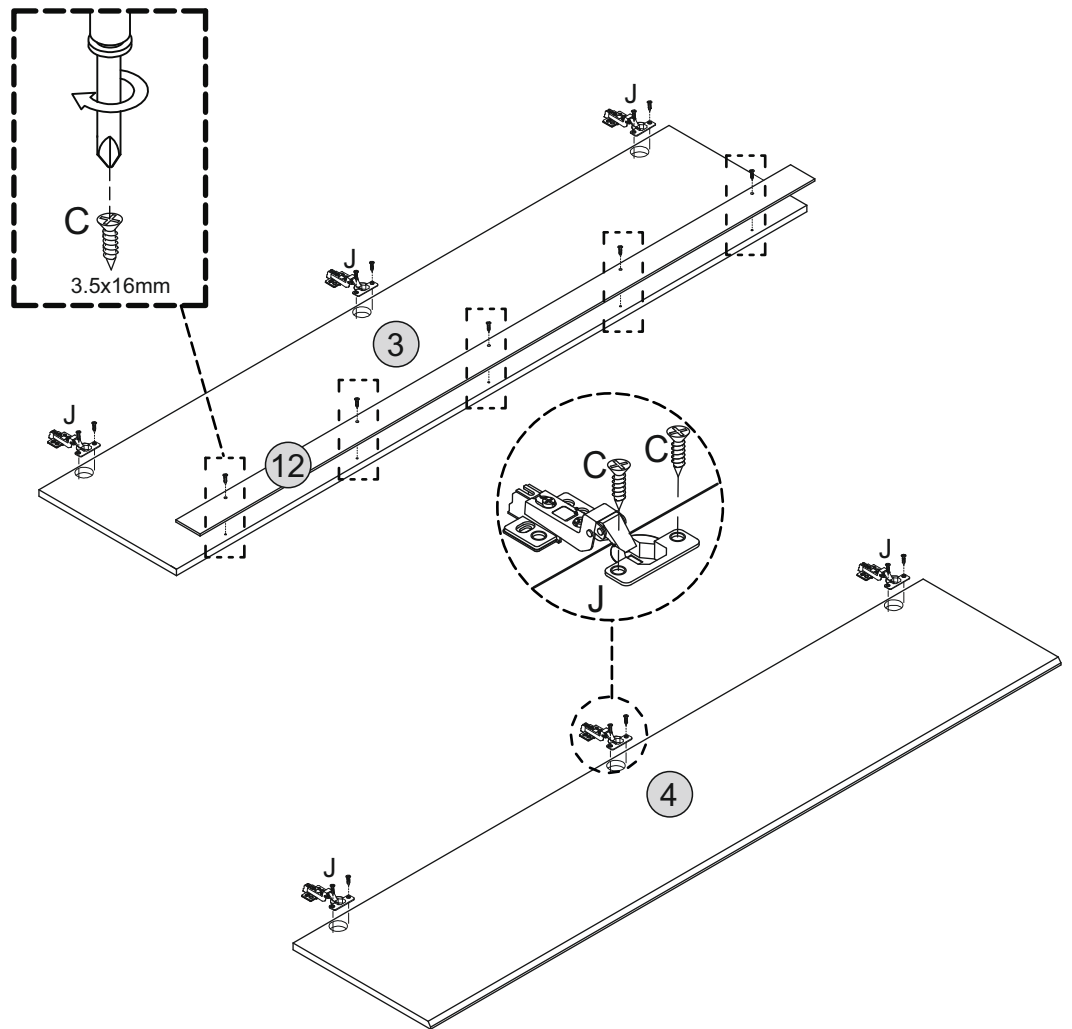
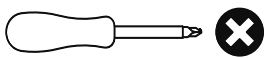
## PARTS REQUIRED

3 - LEFT DOOR	x1
4 - RIGHT DOOR	x1
12 - DOOR SUPPORT	x1

## HARDWARE REQUIRED

C	 3.5x16mm	17
J		06

## TOOLS REQUIRED

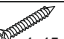
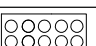


# STEP 4

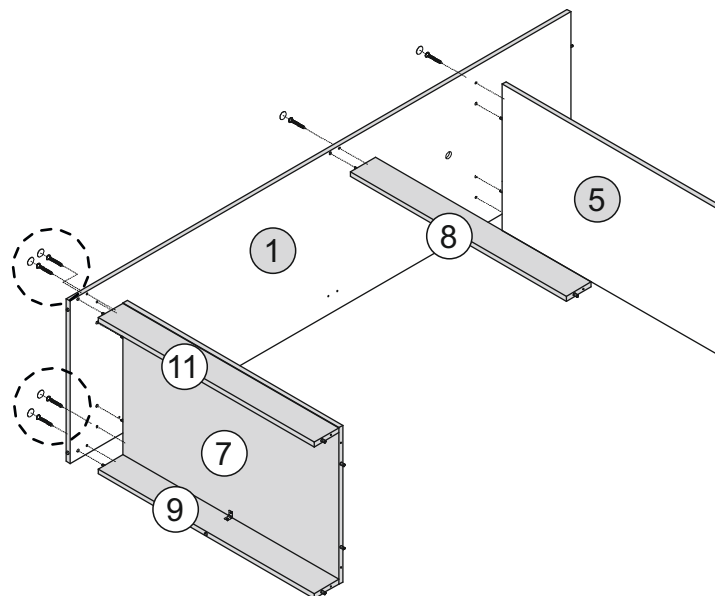
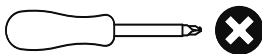
## PARTS REQUIRED

1 - RIGHT SIDE PANEL	x1
5 - SHELF PANEL	x1
7 - BOTTOM PANEL	x1
8 - BACK SUPPORT PANEL	x1
9 - FRONT CROSSBAR	x1
11 - BACK CROSSBAR	x1

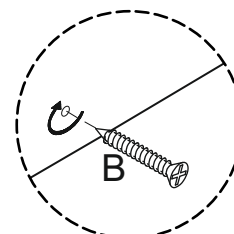
## HARDWARE REQUIRED

B	 4x45mm	07
E		07

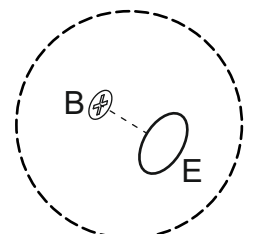
## TOOLS REQUIRED



### STEP 1



### STEP 2

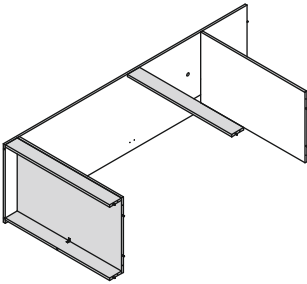


# STEP 5

## PARTS REQUIRED

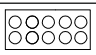
2 - LEFT SIDE PANEL x1

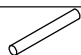
10 - SUPPORT PANEL x1



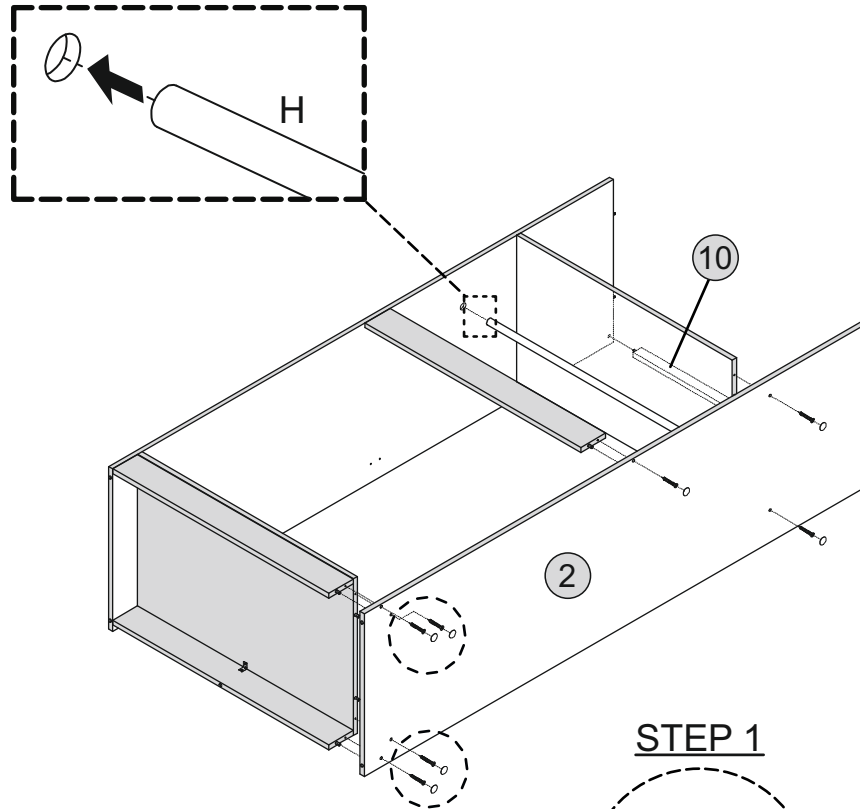
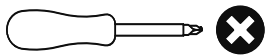
## HARDWARE REQUIRED

B  07

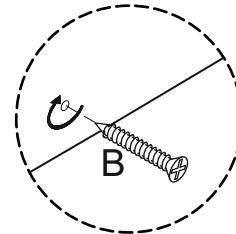
E  07

H  01

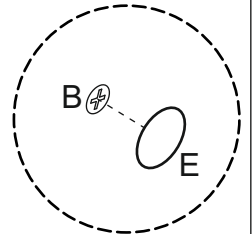
## TOOLS REQUIRED



### STEP 1



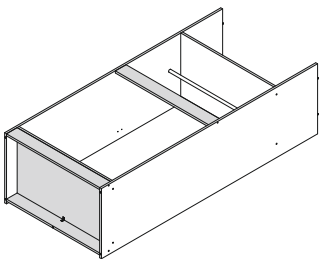
### STEP 2



# STEP 6

## PARTS REQUIRED

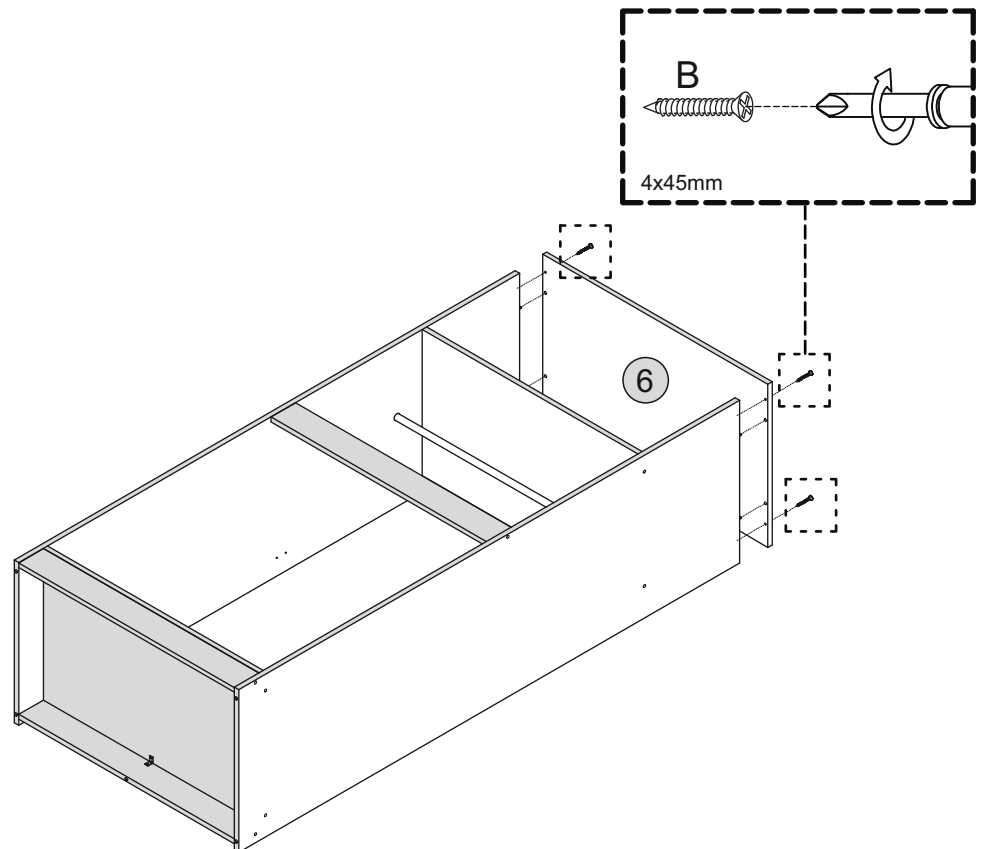
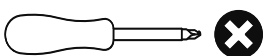
6 - TOP PANEL x1



## HARDWARE REQUIRED

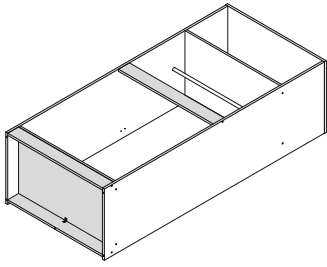
B  04

## TOOLS REQUIRED



# STEP 7

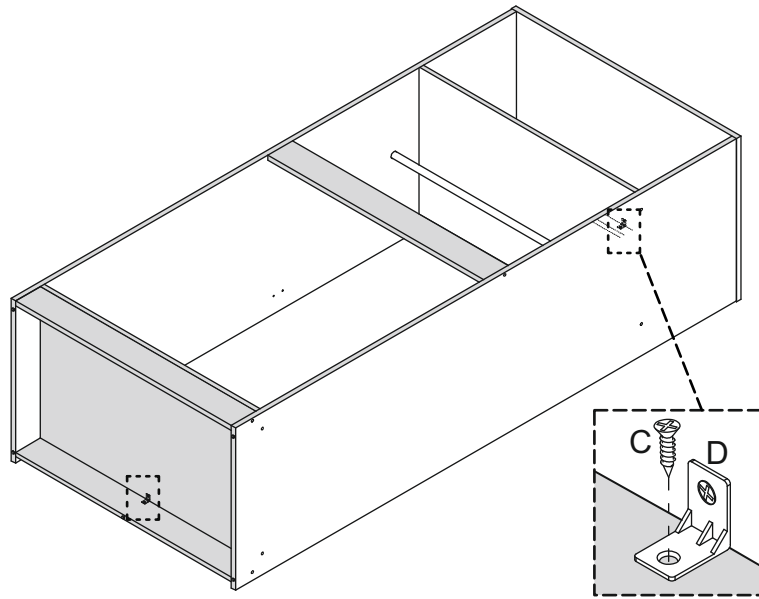
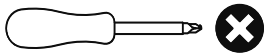
PARTS REQUIRED



HARDWARE REQUIRED

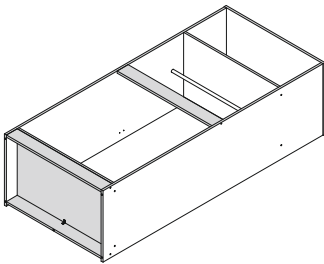


TOOLS REQUIRED

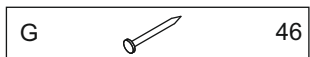
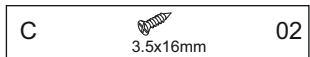


# STEP 8

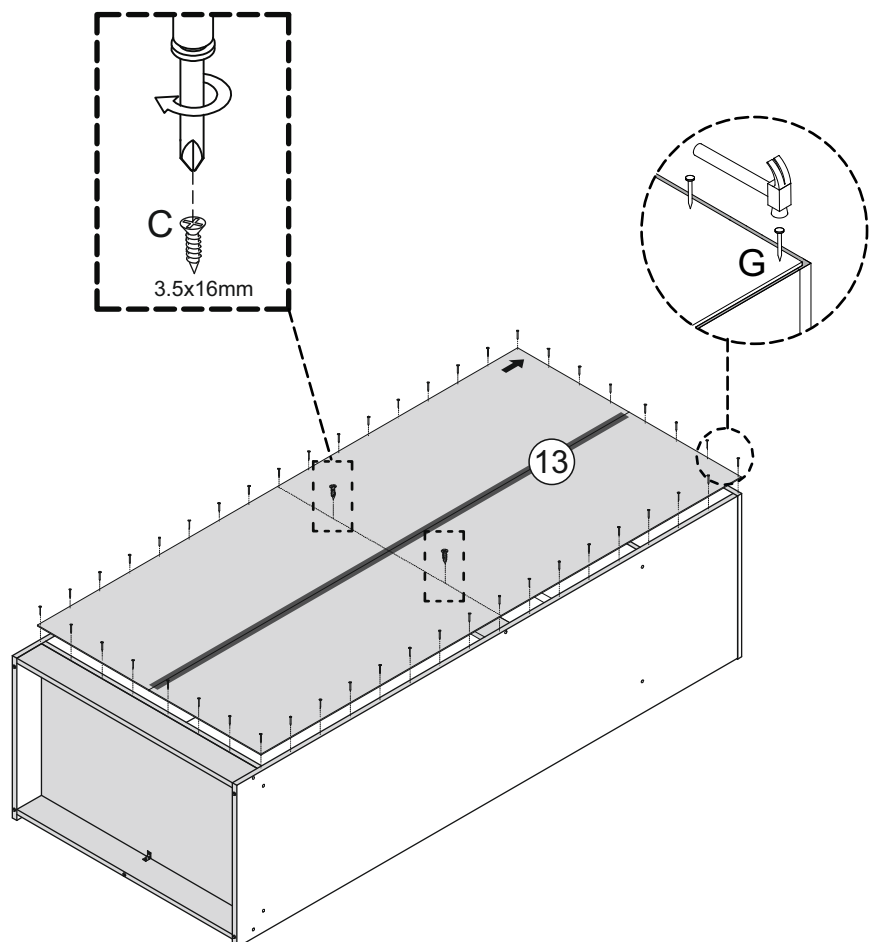
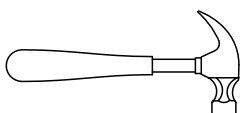
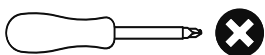
PARTS REQUIRED



HARDWARE REQUIRED



TOOLS REQUIRED

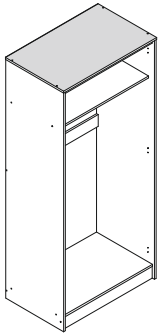


# STEP 9

## PARTS REQUIRED

3 - LEFT DOOR x1

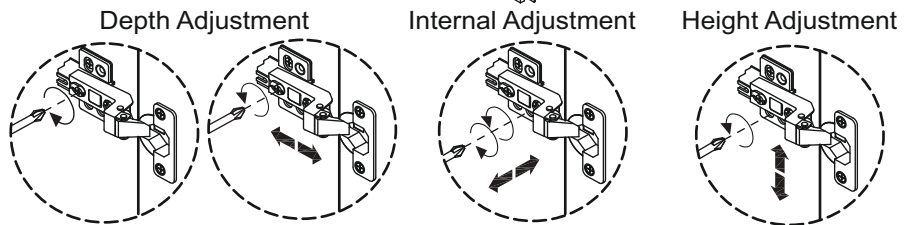
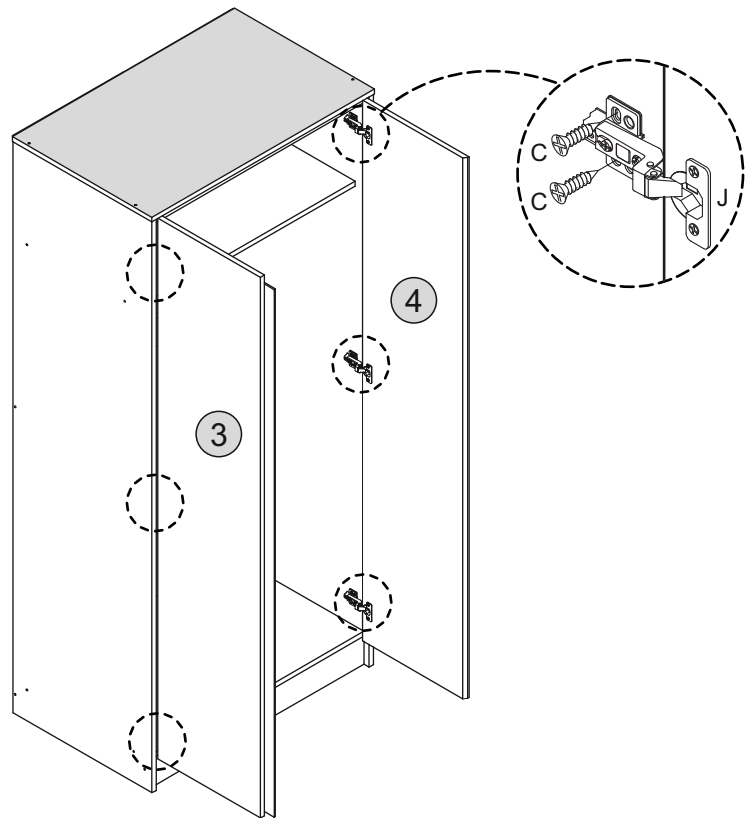
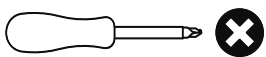
4 - RIGHT DOOR x1



## HARDWARE REQUIRED

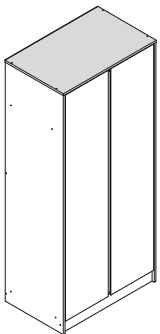
C 3.5x16mm 12

## TOOLS REQUIRED



# STEP 10

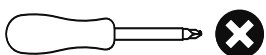
## PARTS REQUIRED



## HARDWARE REQUIRED

I 01

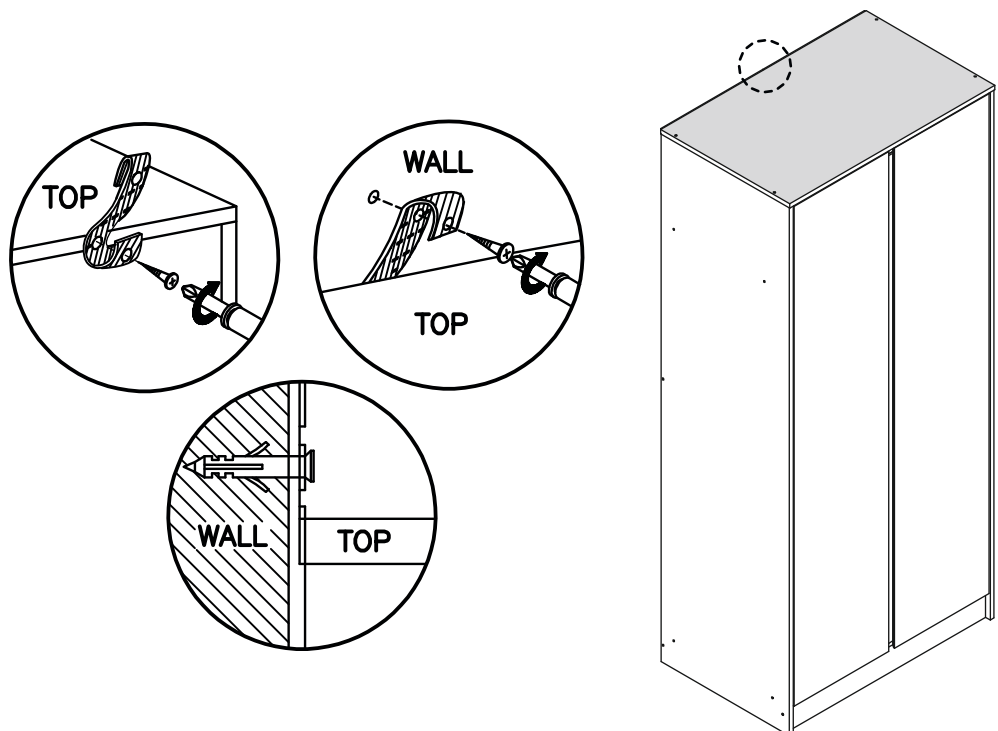
## TOOLS REQUIRED



## WARNING

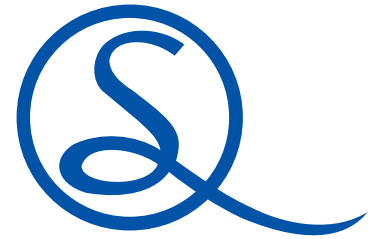
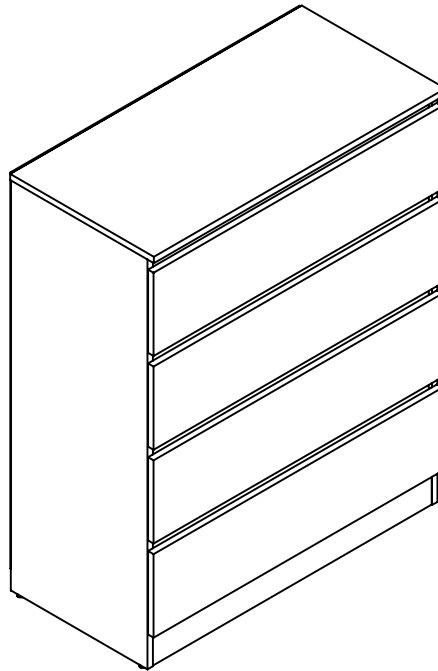
**Serious or fatal injuries can occur from furniture tipping over. To prevent the furniture from tipping over we recommend that it is permanently fixed to the wall.**

Wall fixings are not supplied with this product as different wall materials require different types of fixing devices. Please make sure you use fixings suitable for the walls in your home.





# WHITE MALVERN 4 DRAWER CHEST ASSEMBLY INSTRUCTIONS



**FOR DOMESTIC USE ONLY**

**IMPORTANT**

**PLEASE READ BEFORE YOU CONTINUE FURTHER**

THE PRODUCT YOU HAVE PURCHASED WILL GIVE YOU MANY YEARS OF SERVICE IF YOU FOLLOW THE GUIDELINES FOR ITS SAFE ASSEMBLY AND PERIODIC MAINTENANCE AND CLEANING.

ASSEMBLE ON A SOFT CLEAN SURFACE.

DO NOT USE ANY TOOLS OTHER THAN THOSE SHOWN.

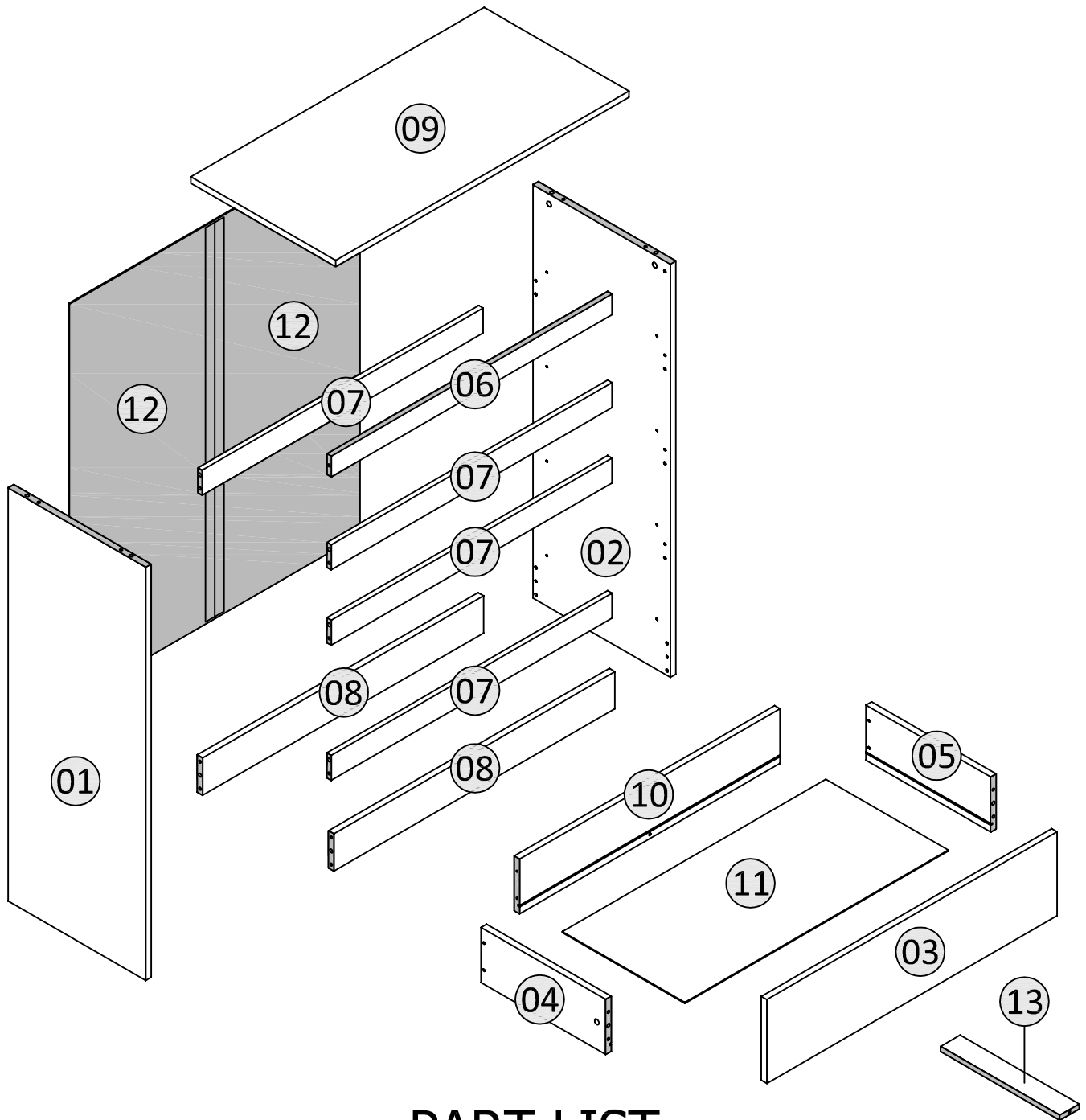
ANY SPANNERS OR ALLEN KEYS REQUIRED ARE INCLUDED WITH THE FITTING KIT.

DO NOT FOR ANY REASON USE A POWER TOOL TO ASSEMBLE THIS PRODUCT. ITS USE WILL INVALIDATE ANY CLAIM YOU MAY HAVE AND COULD MAKE THIS PRODUCT UNSAFE.

DEPENDING ON THE AMOUNT OF USE THIS PRODUCT RECEIVES. IT MAY BE NECESSARY TO TIGHTEN UP THE FIXINGS FROM TIME TO TIME. THIS IS COMPLETELY NORMAL FOR ANY FLAT PACK FURNITURE. DO NOT OVERTIGHTEN FIXINGS.

FOR CLEANING, YOU MAY USE A DAMP CLOTH (NOT WET). DO NOT USE POLISH, DETERGENT OR CHEMICAL CLEANERS.



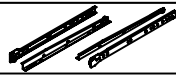

THIS SURFACE OF THIS ITEM IS NOT HEAT RESISTANT. ALWAYS USE A PLACE MAT UNDER HOT OR COLD ITEMS TO PREVENT MARKING.



## PART LIST

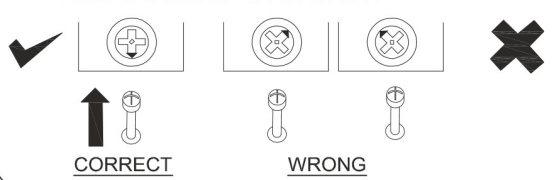
<b>Part Number</b>	<b>Part Code</b>	<b>Part Description</b>	<b>Quantity</b>	<b>Carton</b>
01	S100-102-132-TA1-01	Left Panel	1	1/2
02	S100-102-132-TA1-02	Right Panel	1	1/2
03	S100-102-132-TA1-03	Drawer Front	4	1/2
04	S100-102-132-TA1-04	Drawer Left Panel	4	2/2
05	S100-102-132-TA1-05	Drawer Right Panel	4	2/2
06	S100-102-132-TA1-06	Top Support Panel	1	2/2
07	S100-102-132-TA1-07	Centre Support Panel	4	2/2
08	S100-102-132-TA1-08	Bottom Support Panel	2	2/2
09	S100-102-132-TA1-09	Top Panel	1	1/2
10	S100-102-132-TA1-10	Drawer Back Panel	4	2/2
11	S100-102-132-TA1-11	Drawer Bottom Panel	4	2/2
12	S100-102-132-TA1-12	Back Panel	2	1/2
13	S100-102-132-TA1-13	Drawer Support Panel	4	1/2

# HARDWARE LIST

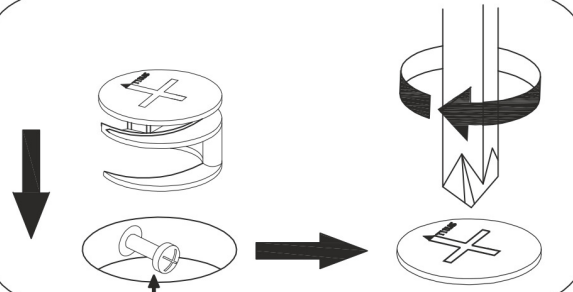
No.	Part Name		Qty
A	5575 Cam Nut		24
B	Cam Bolt		24
C	M6 x 30mm Wood Dowel		42
D	38mm Chipboard Screw		20
E	14mm Chipboard Screw		44
F	14" Drawer Slide		4 sets
G	PVC L Bracket		1
H	Table Pin		4
J	Steel Nail		45
K	Safety Pack (4 x 20mm x 1)		1

## TIPS FOR FITTING CAM-LOCKS

**WHEN FITTING THE CAM-LOCK**  
ENSURE STARTING POSITION IS CORRECT  
BEFORE YOU INSERT CONNECTING CAM BOLT  
TURN CLOCKWISE UNTIL SECURE



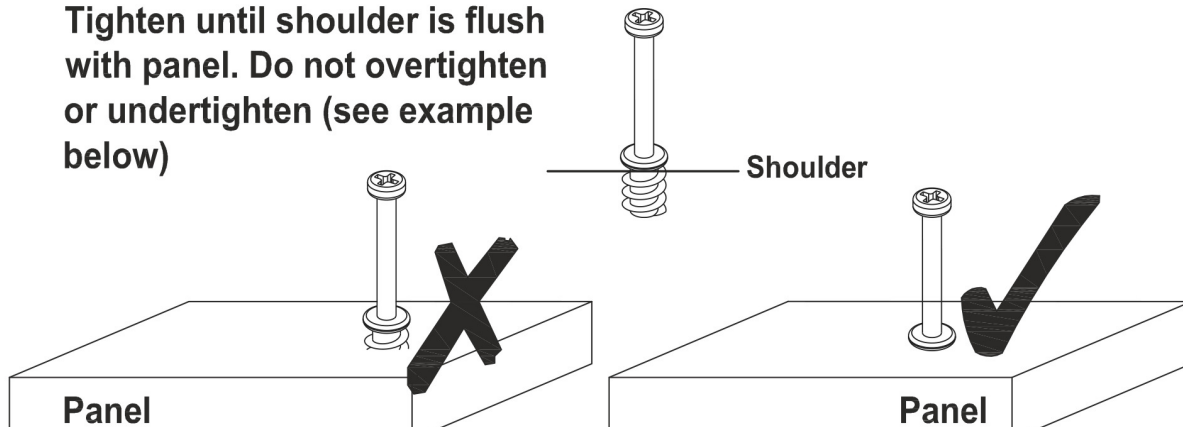
**CORRECT**      **WRONG**



**Cam bolt head needs to be in centre**

### CAMBOLT

Tighten until shoulder is flush with panel. Do not overtighten or undertighten (see example below)



**Panel**      **Shoulder**      **Panel**

# STEP 1

## PARTS REQUIRED

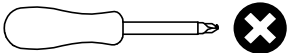
01- LEFT PANEL x1

## HARDWARE REQUIRED

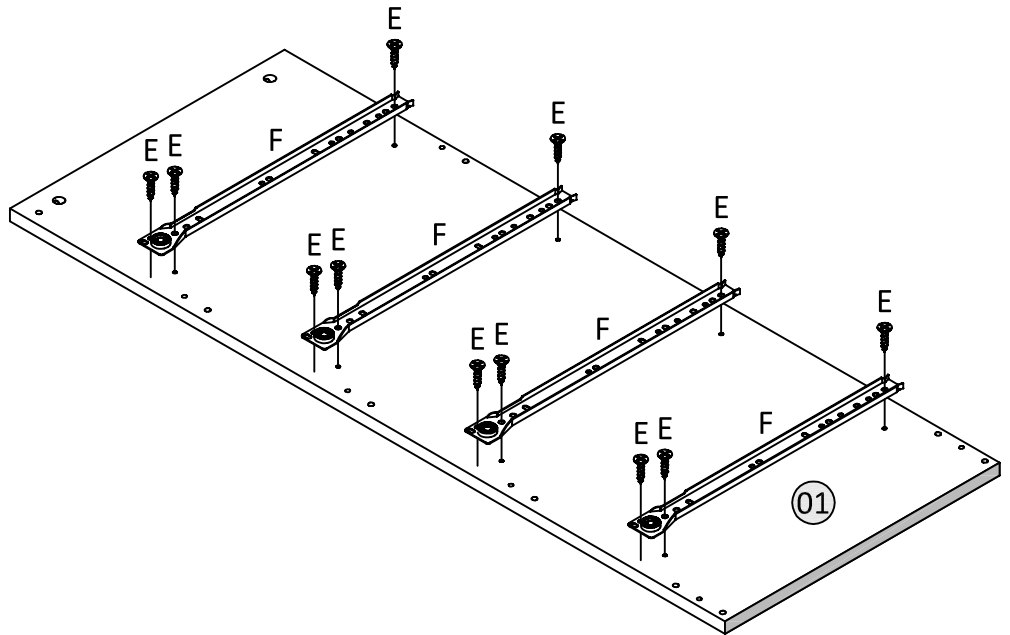
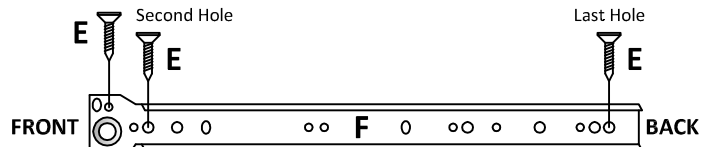
E  12

F  04

## TOOLS REQUIRED



To Assembly the Drawer Slide, Please Follow Step as Below




# STEP 2

## PARTS REQUIRED

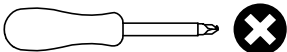
02- RIGHT PANEL x1

## HARDWARE REQUIRED

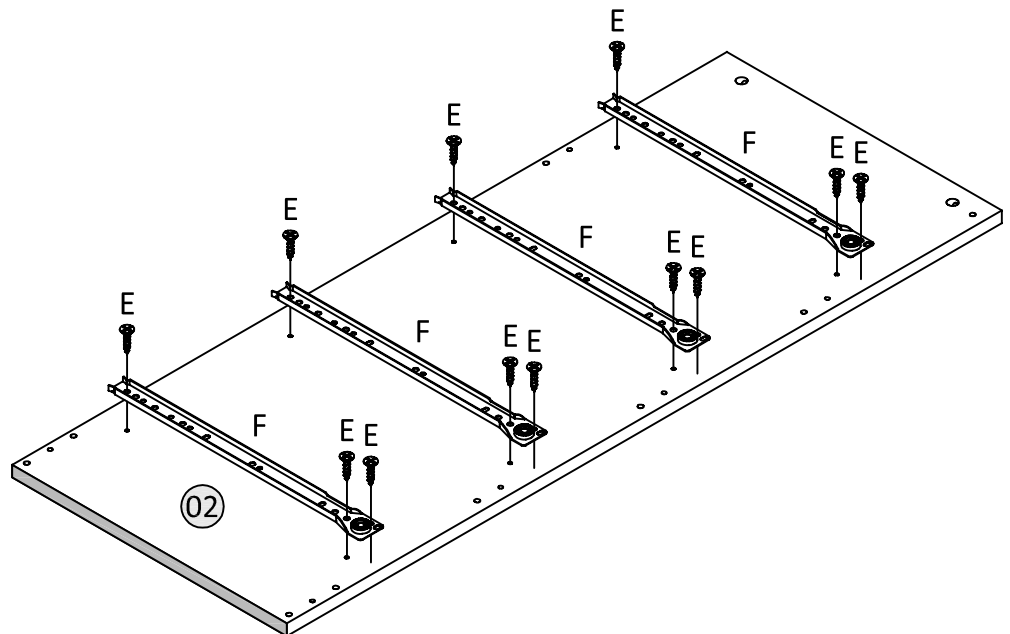
E  12

F  04

## TOOLS REQUIRED



To Assembly the Drawer Slide, Please Follow Step as Below



# STEP 3

## PARTS REQUIRED


01- LEFT PANEL x1

02- RIGHT PANEL x1

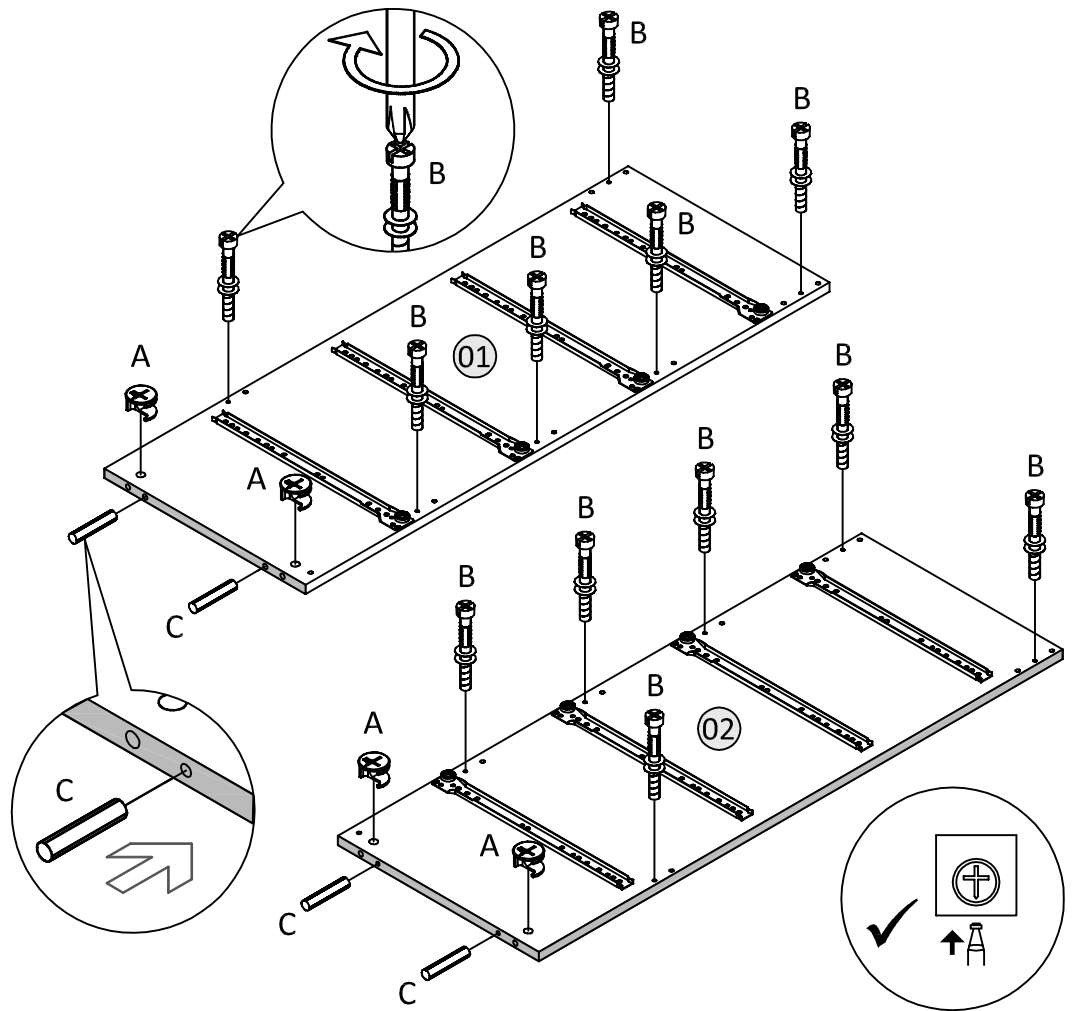
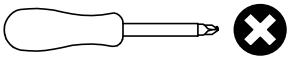
## HARDWARE REQUIRED

A  04

B  12

C  04

## TOOLS REQUIRED



# STEP 4

## PARTS REQUIRED

06- TOP SUPPORT PANEL x1

07- CENTRE SUPPORT PANEL x4


08- BOTTOM SUPPORT PANEL x2

09- TOP PANEL x1

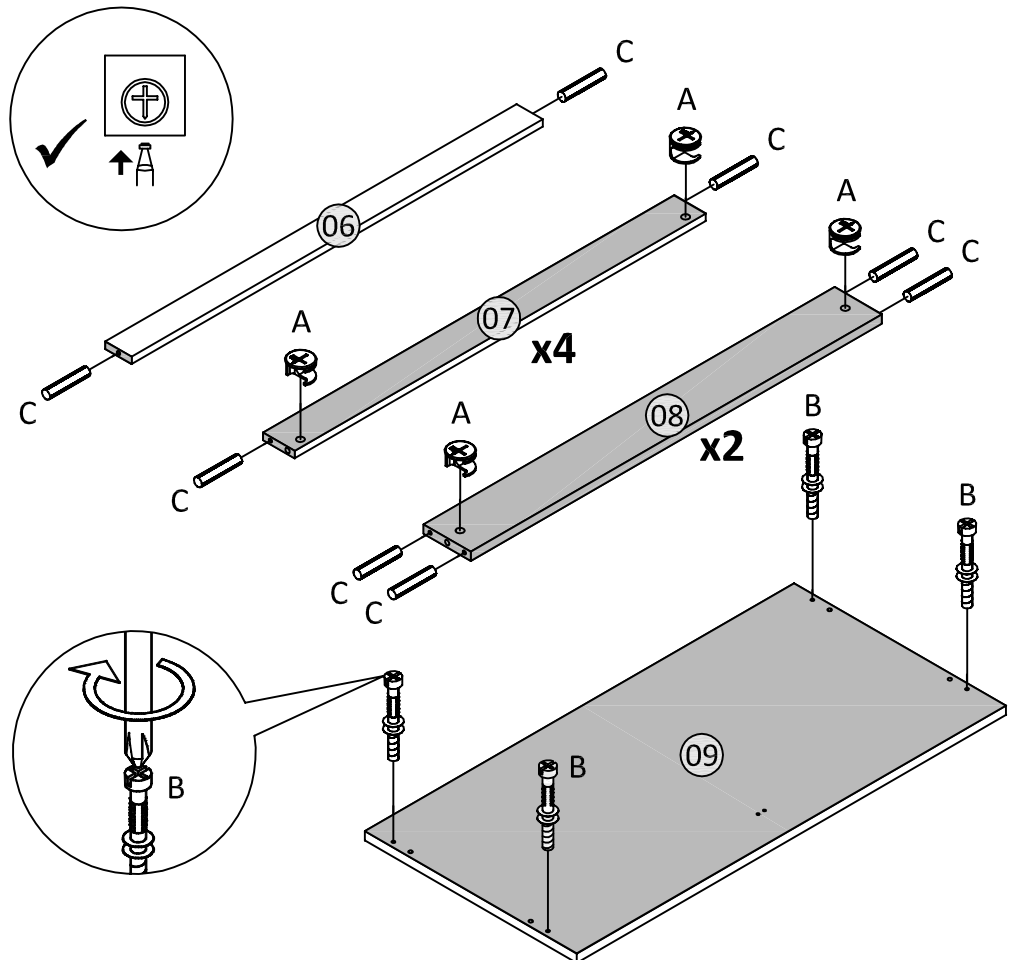
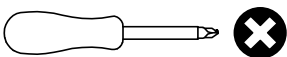
## HARDWARE REQUIRED

A  12

B  04

C  18

## TOOLS REQUIRED



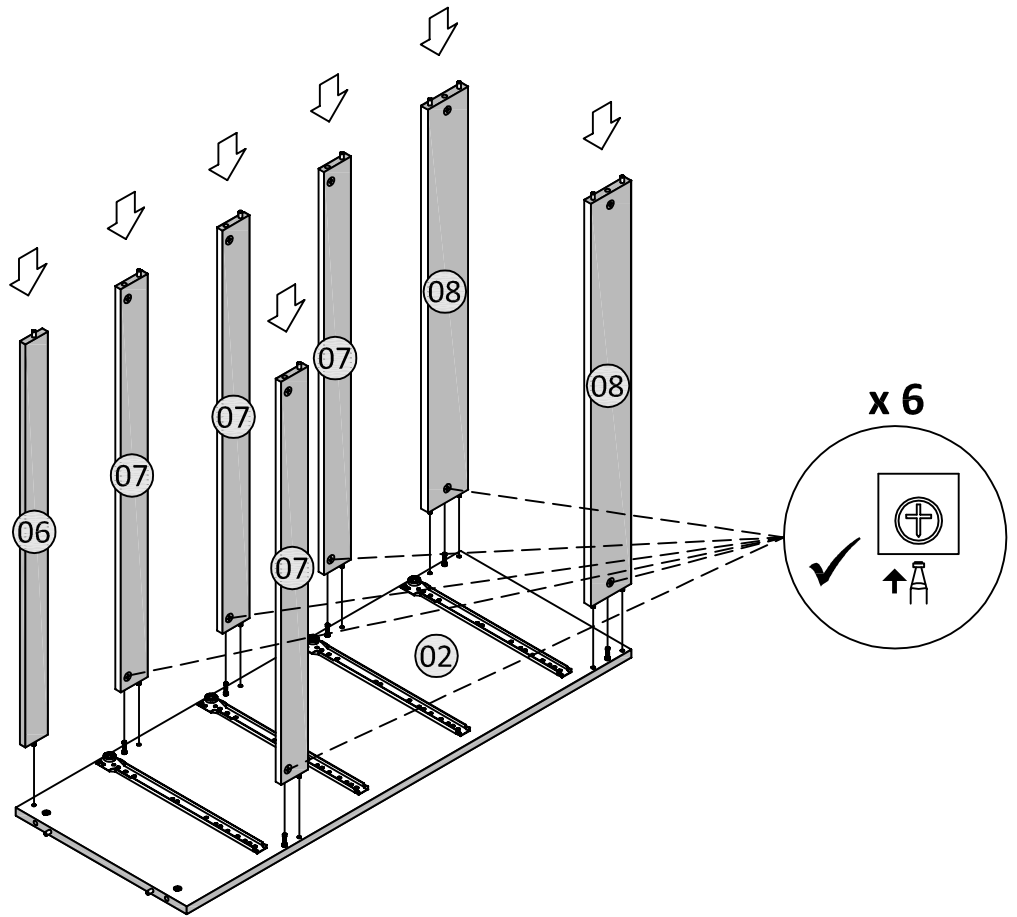
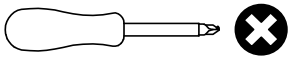
# STEP 5

## PARTS REQUIRED

02- RIGHT PANEL	x1
06- TOP SUPPORT PANEL	x1
07- CENTRE SUPPORT PANEL	x4
08- BOTTOM SUPPORT PANEL	x2

## HARDWARE REQUIRED

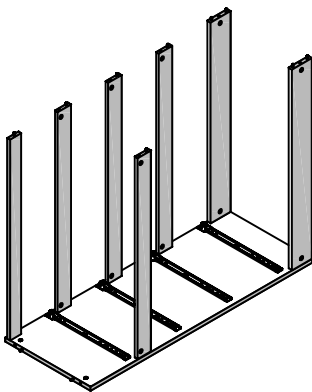
## TOOLS REQUIRED



# STEP 6

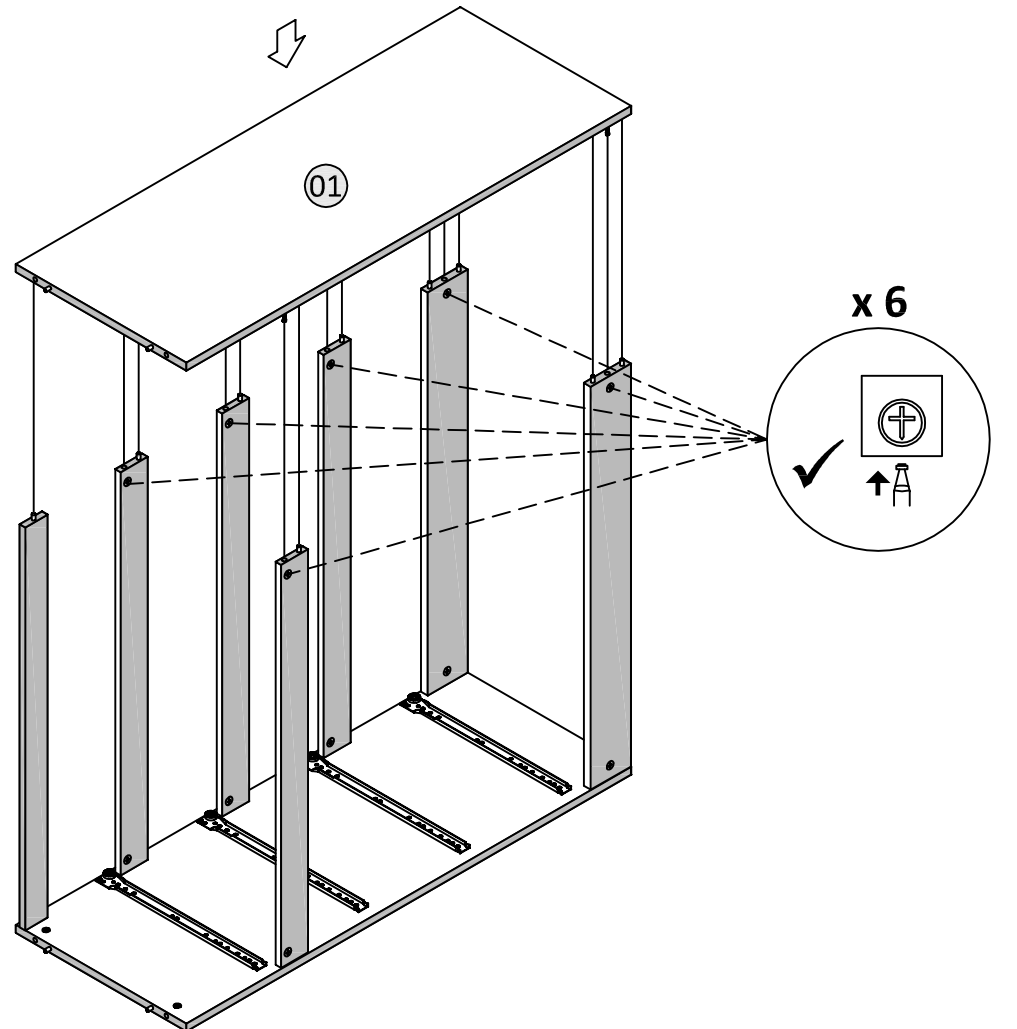
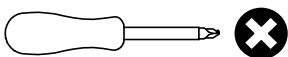
## PARTS REQUIRED

01- LEFT PANEL	x1
----------------	----



## HARDWARE REQUIRED

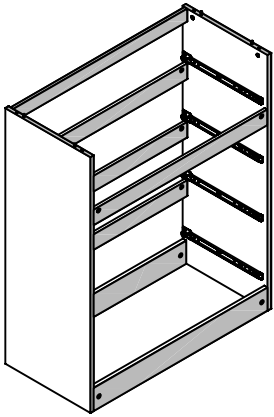
## TOOLS REQUIRED



# STEP 7

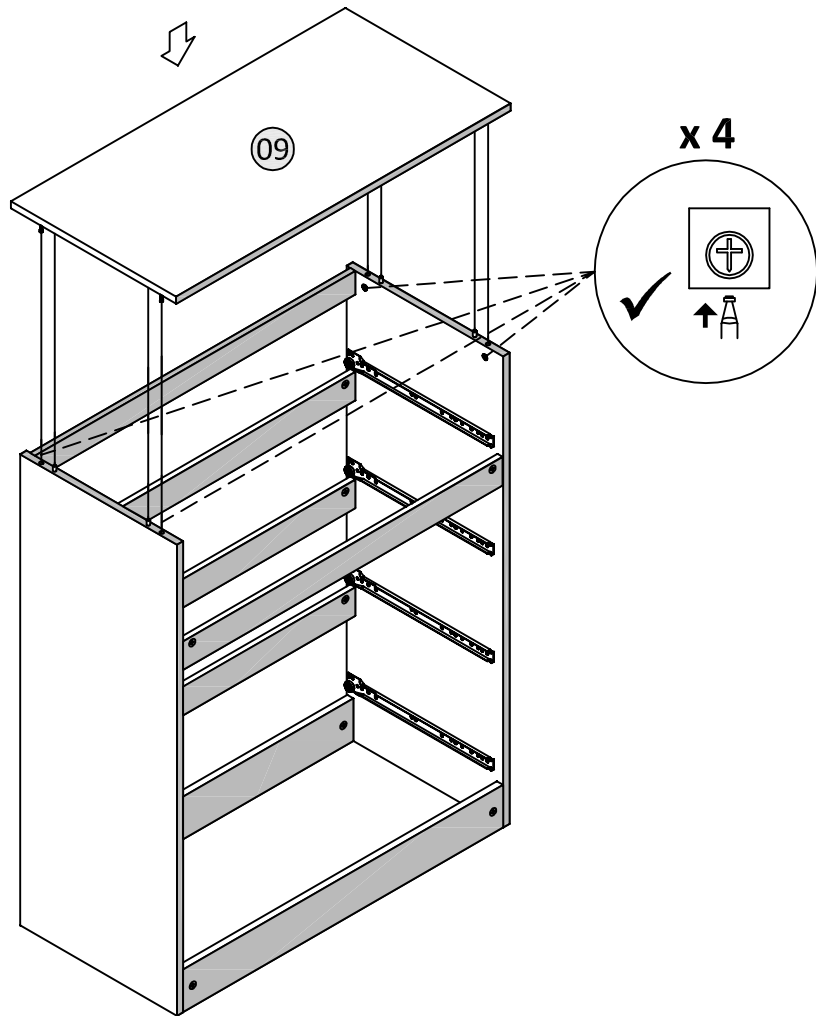
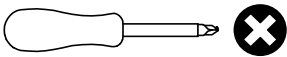
## PARTS REQUIRED

09- TOP PANEL x1



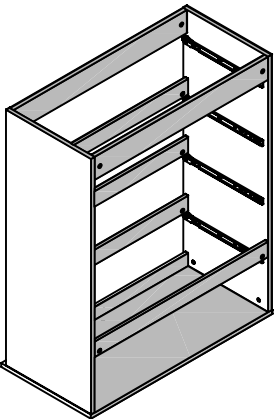
## HARDWARE REQUIRED

## TOOLS REQUIRED



# STEP 8

## PARTS REQUIRED

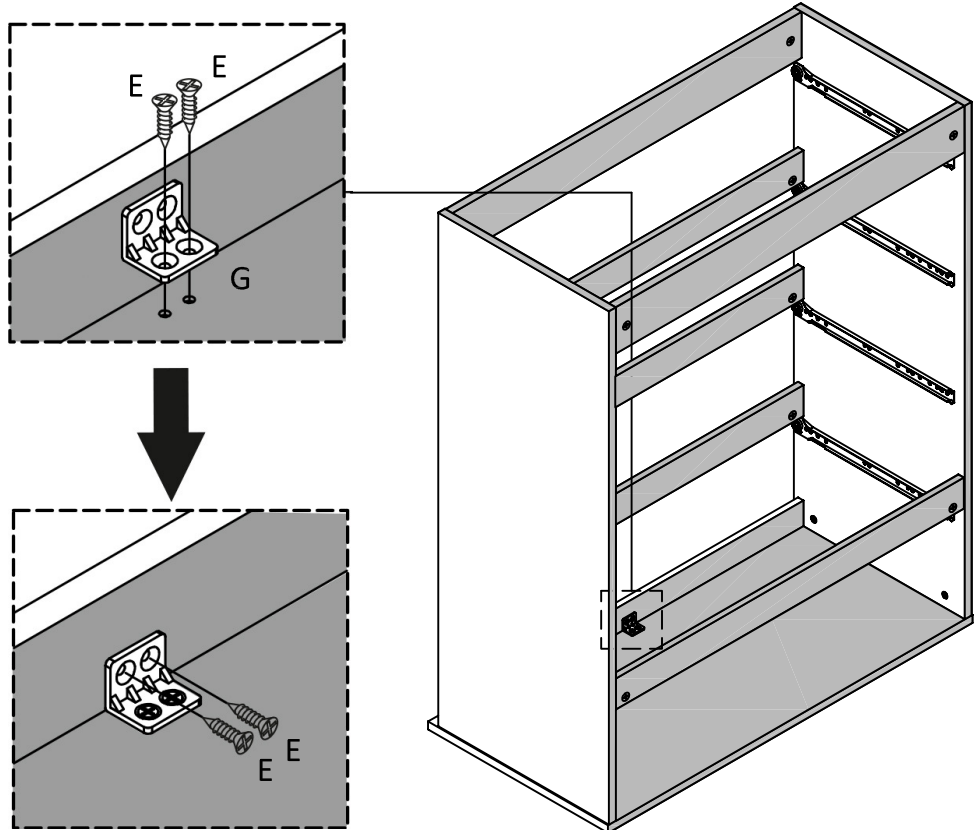
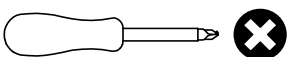


## HARDWARE REQUIRED

E  04

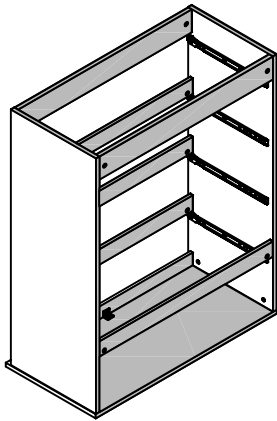
G  01

## TOOLS REQUIRED

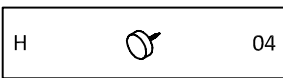


# STEP 9

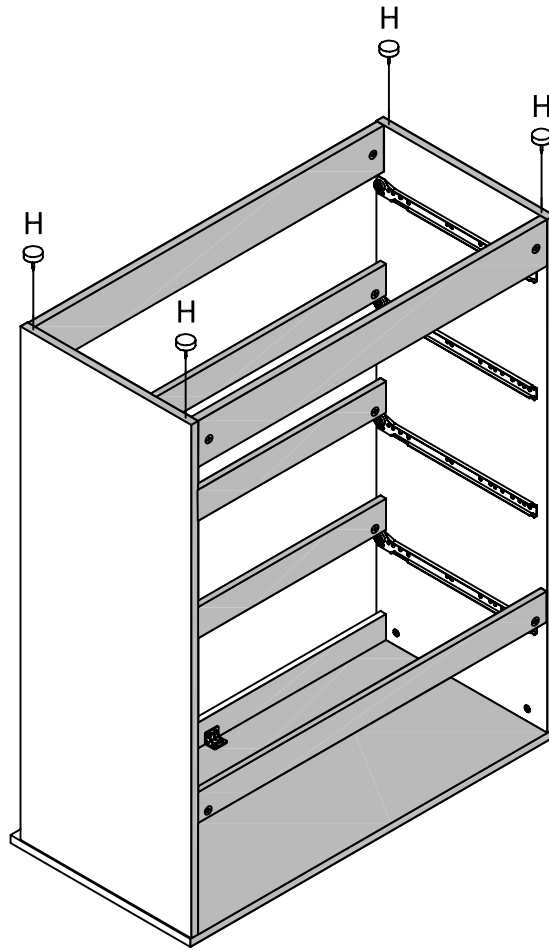
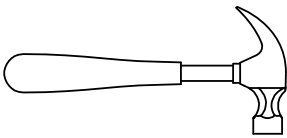
**PARTS REQUIRED**



**HARDWARE REQUIRED**



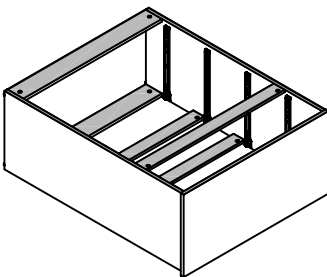
**TOOLS REQUIRED**



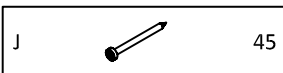
# STEP 10

**PARTS REQUIRED**

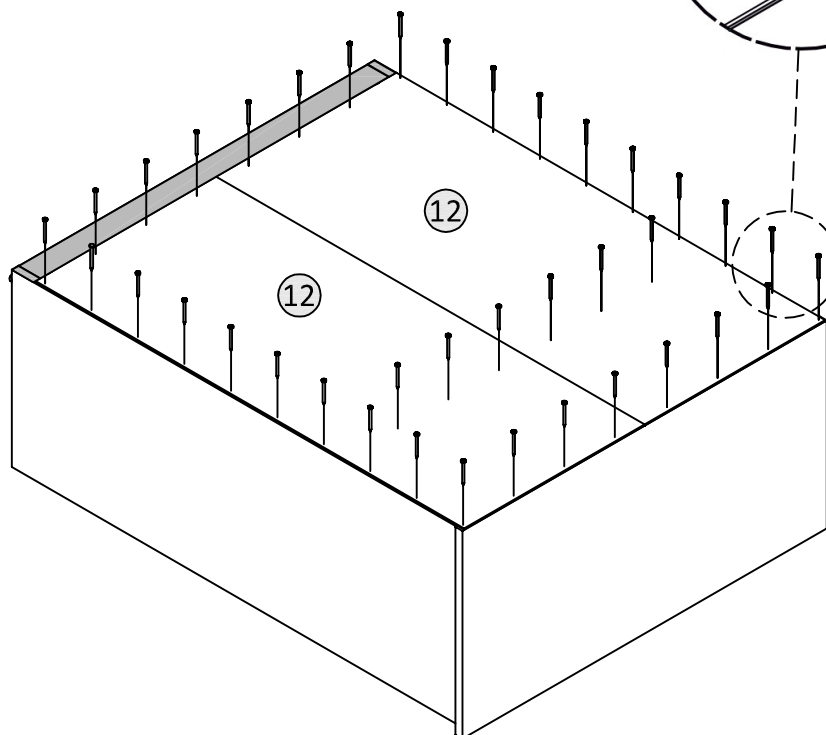
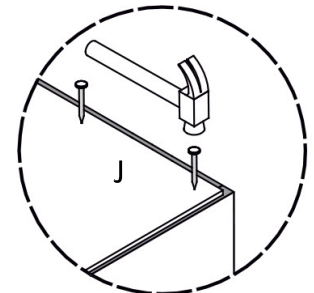
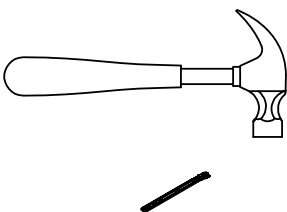
12- BACK PANEL x2



**HARDWARE REQUIRED**



**TOOLS REQUIRED**





# STEP 11


## PARTS REQUIRED

03- DRAWER FRONT	x4
04- DRAWER LEFT PANEL	x4
05- DRAWER RIGHT PANEL	x4
13- DRAWER SUPPORT PANEL	x4

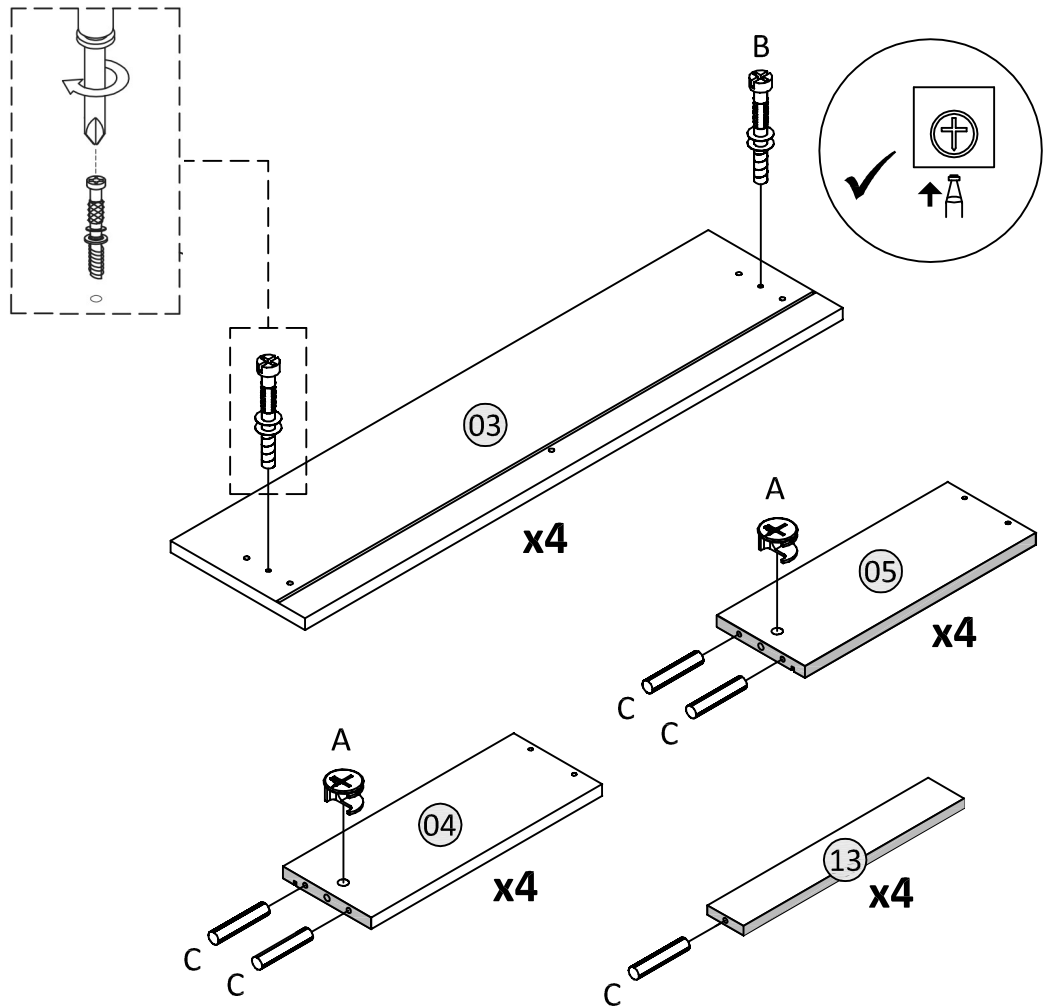
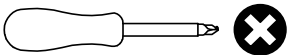
## HARDWARE REQUIRED

A		08
---	---	----

B		08
---	---	----

C		20
---	---	----

## TOOLS REQUIRED




# STEP 12

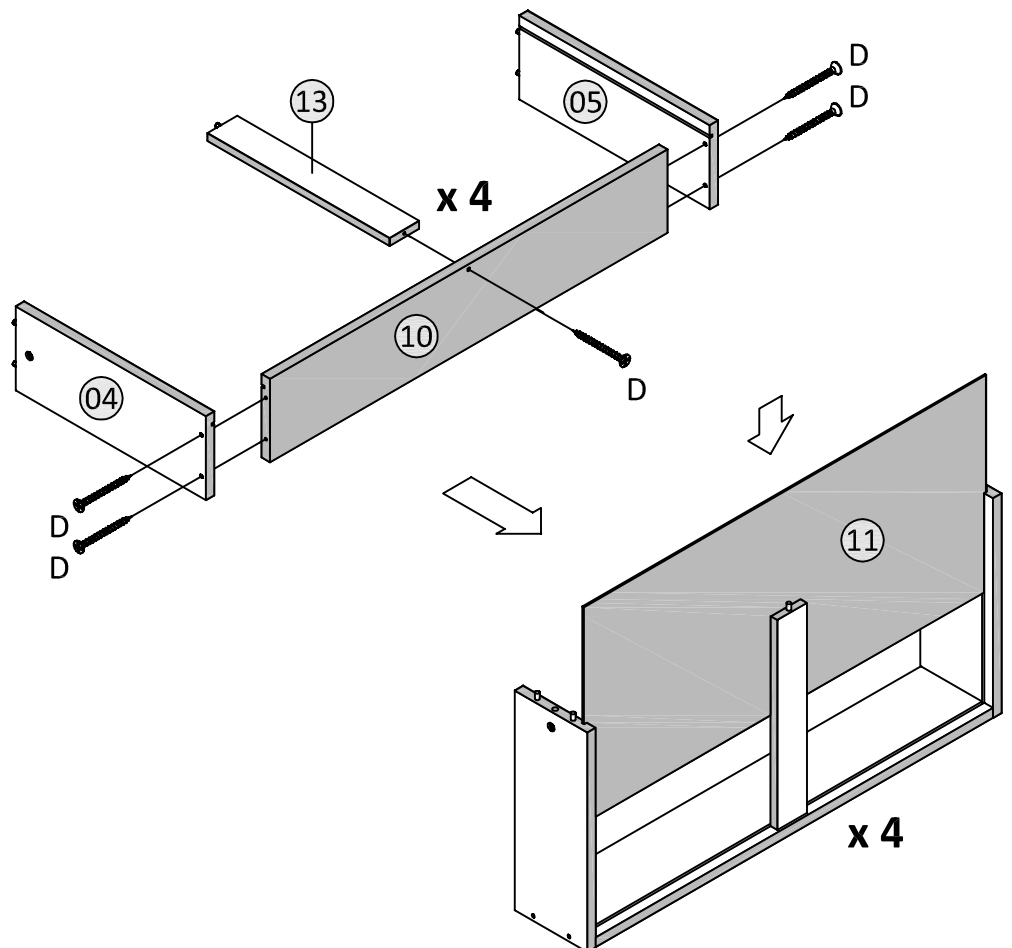
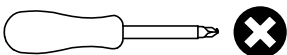
## PARTS REQUIRED

04- DRAWER LEFT PANEL	x4
05- DRAWER RIGHT PANEL	x4
10- DRAWER BACK PANEL	x4
11- DRAWER BOTTOM PANEL	x4
13- DRAWER SUPPORT PANEL	x4

## HARDWARE REQUIRED

D		20
---	---	----

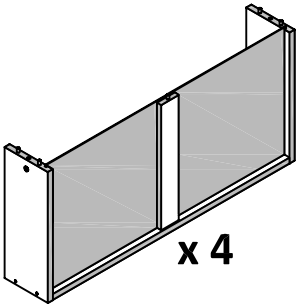
## TOOLS REQUIRED



# STEP 13


## PARTS REQUIRED

03- DRAWER FRONT x4

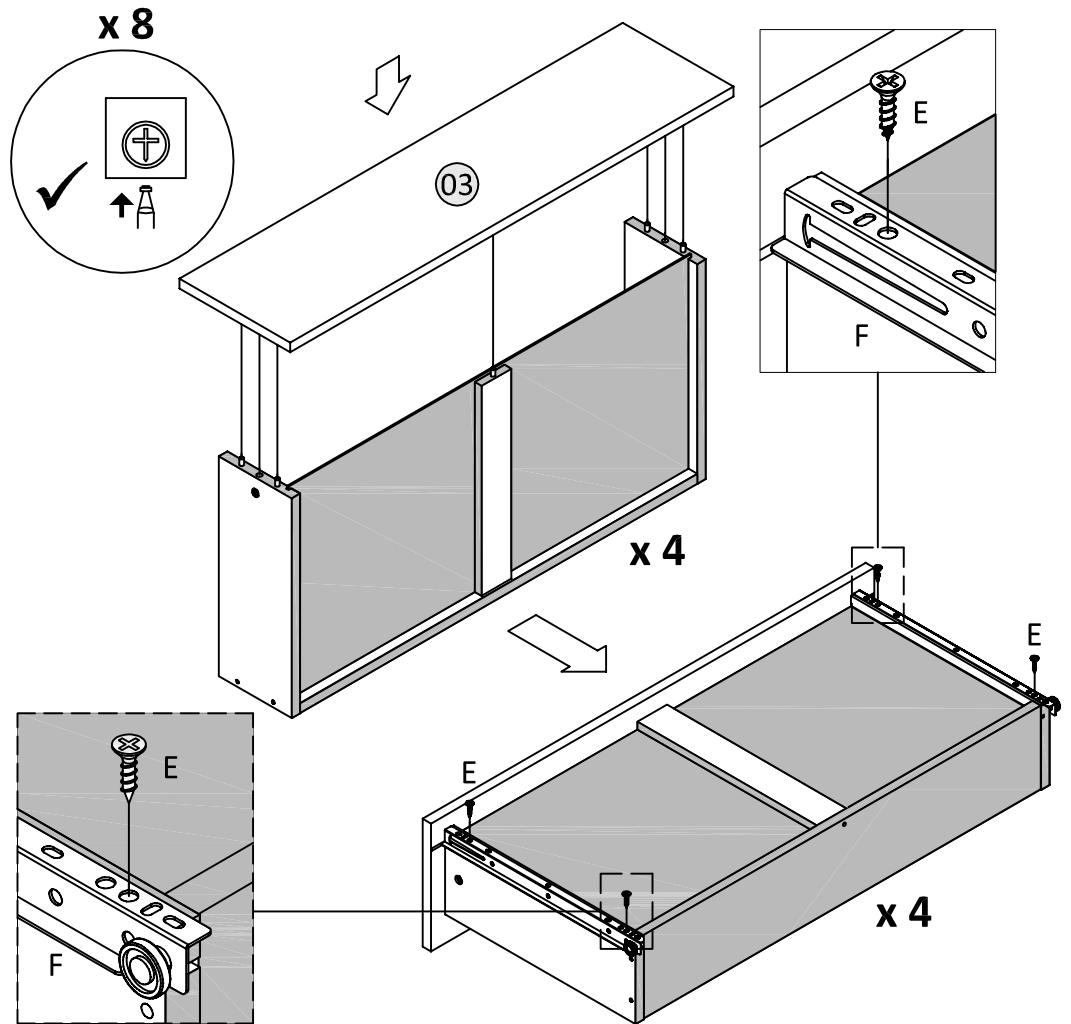
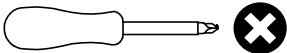


## HARDWARE REQUIRED

E  16

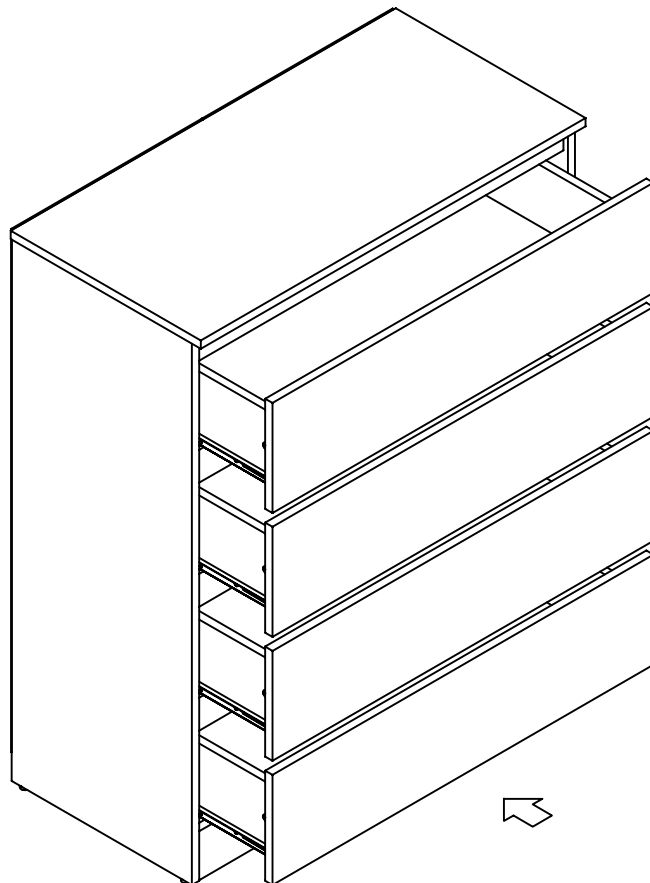
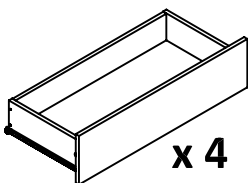
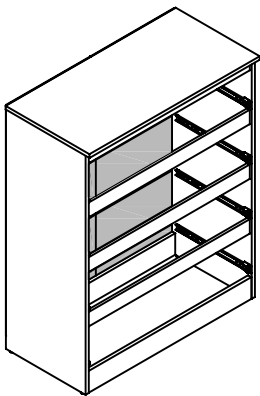
F  04

## TOOLS REQUIRED



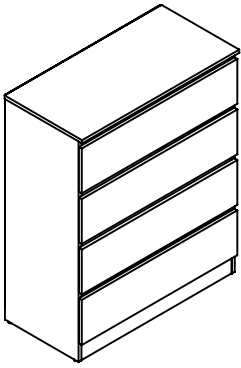
# STEP 14

## PARTS REQUIRED

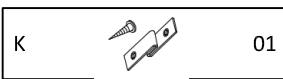


## STEP 15

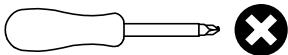
### PARTS REQUIRED



### HARDWARE REQUIRED



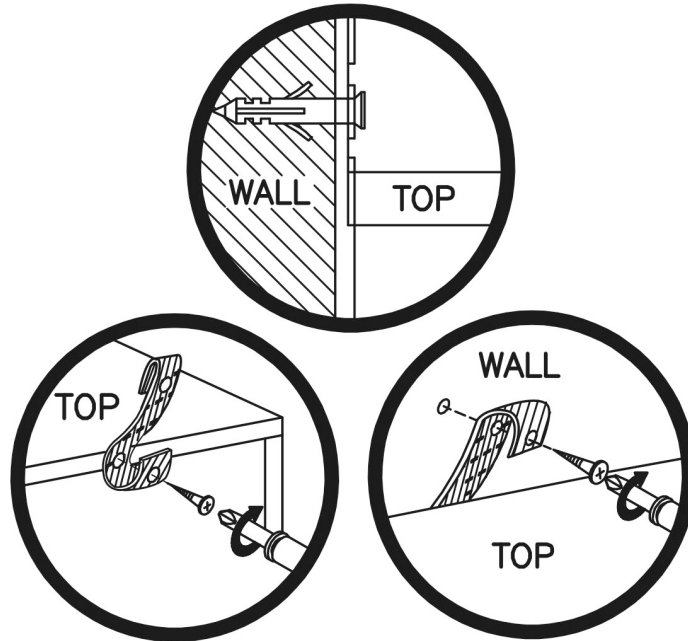
### TOOLS REQUIRED



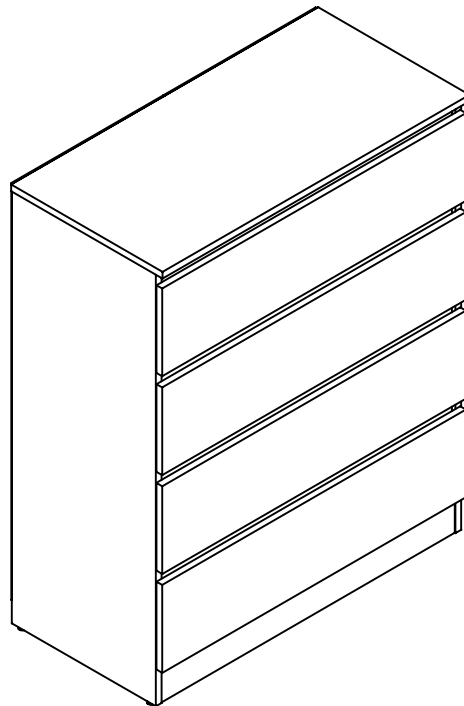
## WARNING

**Serious or fatal injuries can occur from furniture tipping over. To prevent the furniture from tipping over we recommend that it is permanently fixed to the wall.**

Wall fixings are not supplied with this product as different wall materials require different types of fixing devices. Please make sure you use fixings suitable for the walls in your home.

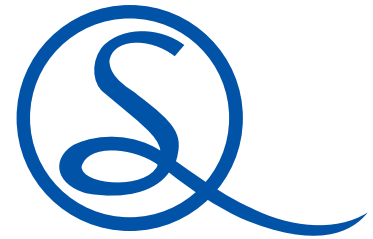
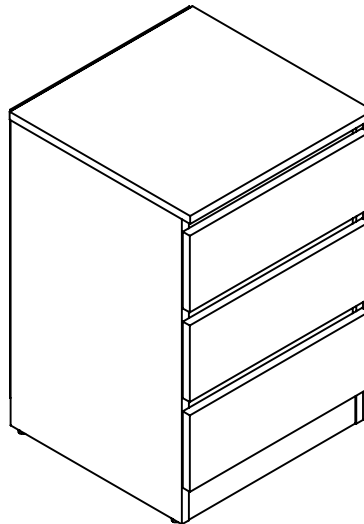


## STEP 16



# FINISH

# WHITE MALVERN 3 DRAWER BEDSIDE ASSEMBLY INSTRUCTIONS



## FOR DOMESTIC USE ONLY

### IMPORTANT

### PLEASE READ BEFORE YOU CONTINUE FURTHER

THE PRODUCT YOU HAVE PURCHASED WILL GIVE YOU MANY YEARS OF SERVICE IF YOU FOLLOW THE GUIDELINES FOR ITS SAFE ASSEMBLY AND PERIODIC MAINTENANCE AND CLEANING.

ASSEMBLE ON A SOFT CLEAN SURFACE.

DO NOT USE ANY TOOLS OTHER THAN THOSE SHOWN.

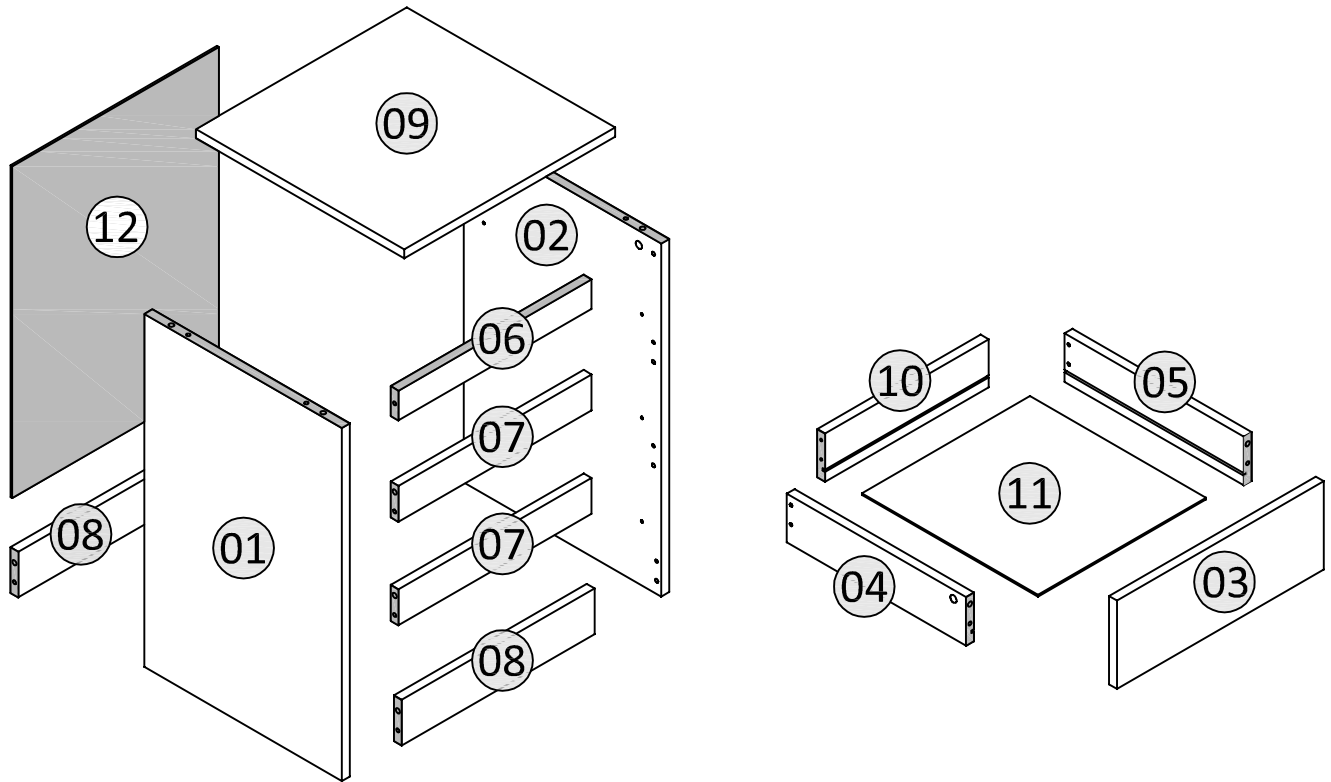
ANY SPANNERS OR ALLEN KEYS REQUIRED ARE INCLUDED WITH THE FITTING KIT.

DO NOT FOR ANY REASON USE A POWER TOOL TO ASSEMBLE THIS PRODUCT. ITS USE WILL INVALIDATE ANY CLAIM YOU MAY HAVE AND COULD MAKE THIS PRODUCT UNSAFE.

DEPENDING ON THE AMOUNT OF USE THIS PRODUCT RECEIVES. IT MAY BE NECESSARY TO TIGHTEN UP THE FIXINGS FROM TIME TO TIME. THIS IS COMPLETELY NORMAL FOR ANY FLAT PACK FURNITURE. DO NOT OVERTIGHTEN FIXINGS.

FOR CLEANING, YOU MAY USE A DAMP CLOTH (NOT WET). DO NOT USE POLISH, DETERGENT OR CHEMICAL CLEANERS.

THIS SURFACE OF THIS ITEM IS NOT HEAT RESISTANT. ALWAYS USE A PLACE MAT UNDER HOT OR COLD ITEMS TO PREVENT MARKING.



## PART LIST

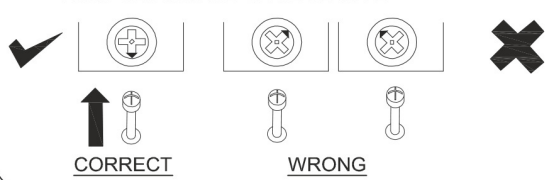
<u>Part Number</u>	<u>Part Code</u>	<u>Part Description</u>	<u>Quantity</u>	<u>Carton</u>
01	S100-103-068-TA1-01	Left Panel	1	1/1
02	S100-103-068-TA1-02	Right Panel	1	1/1
03	S100-103-068-TA1-03	Drawer Front	3	1/1
04	S100-103-068-TA1-04	Drawer Left Panel	3	1/1
05	S100-103-068-TA1-05	Drawer Right Panel	3	1/1
06	S100-103-068-TA1-06	Top Support Panel	1	1/1
07	S100-103-068-TA1-07	Centre Support Panel	2	1/1
08	S100-103-068-TA1-08	Bottom Support Panel	2	1/1
09	S100-103-068-TA1-09	Top Panel	1	1/1
10	S100-103-068-TA1-10	Drawer Back Panel	3	1/1
11	S100-103-068-TA1-11	Drawer Bottom Panel	3	1/1
12	S100-103-068-TA1-12	Back Panel	1	1/1

# HARDWARE LIST

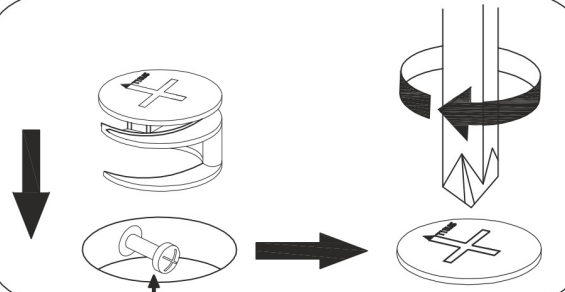
No.	Part Name		Qty
A	5575 Cam Nut		18
B	Cam Bolt		18
C	M6 x 30mm Wood Dowel		20
D	38mm Chipboard Screw		12
E	14mm Chipboard Screw		34
F	14" Drawer Slide		3 sets
G	PVC L Bracket		1
H	Table Pin		4
J	Steel Nail		20
K	Safety Pack (4 x 20mm x 1)		1

## TIPS FOR FITTING CAM-LOCKS

**WHEN FITTING THE CAM-LOCK**  
ENSURE STARTING POSITION IS CORRECT  
BEFORE YOU INSERT CONNECTING CAM BOLT  
TURN CLOCKWISE UNTIL SECURE



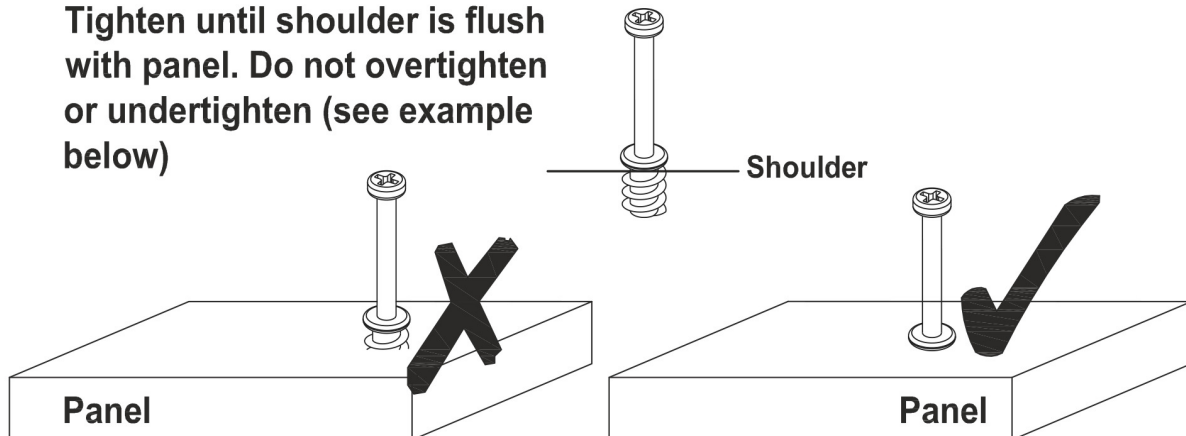
**CORRECT**      **WRONG**



Cam bolt head needs to be in centre

### CAMBOLT

Tighten until shoulder is flush with panel. Do not overtighten or undertighten (see example below)



Shoulder

Panel

Panel

# STEP 1

## PARTS REQUIRED

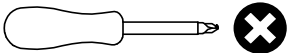
01- LEFT PANEL x1

## HARDWARE REQUIRED

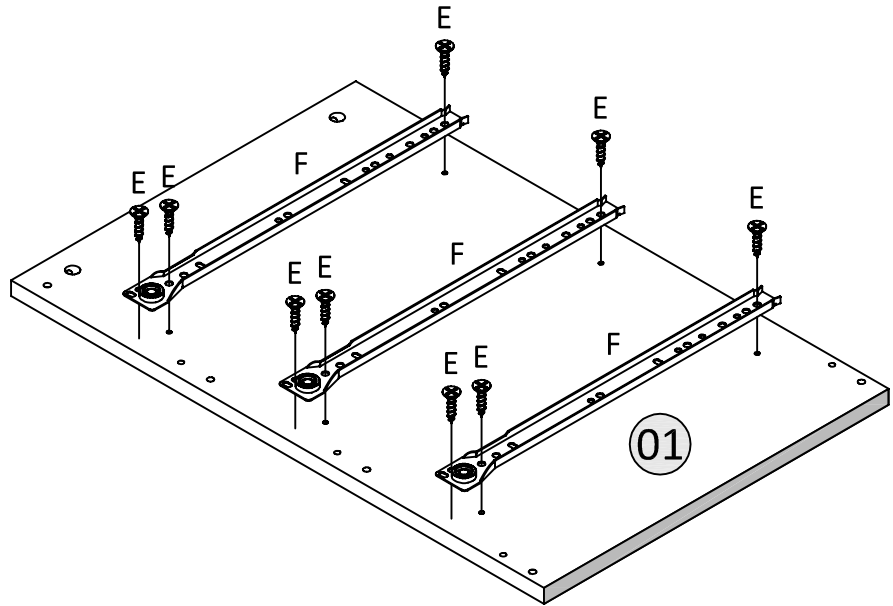
E  09

F  03

## TOOLS REQUIRED



To Assembly the Drawer Slide, Please Follow Step as Below




# STEP 2

## PARTS REQUIRED

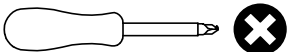
02- RIGHT PANEL x1

## HARDWARE REQUIRED

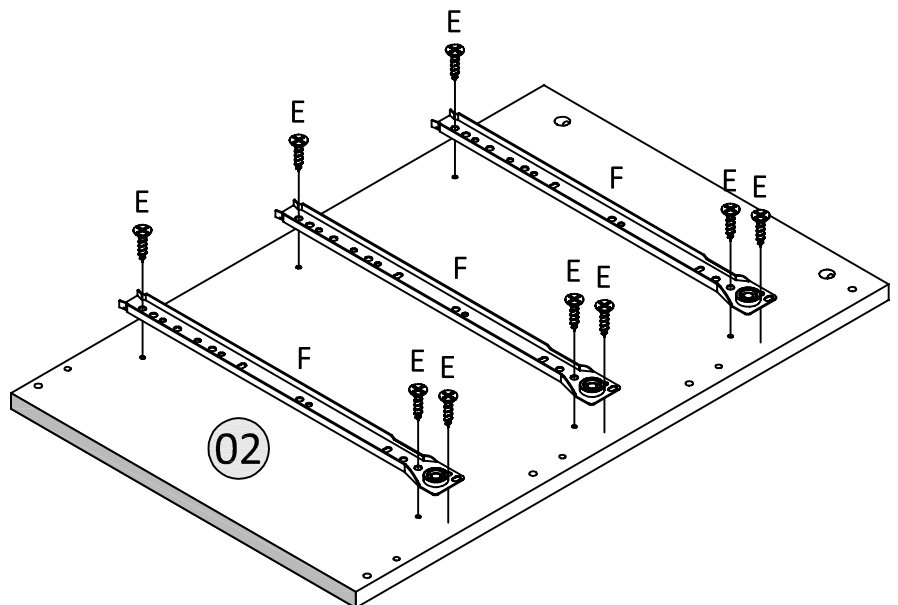
E  09

F  03

## TOOLS REQUIRED



To Assembly the Drawer Slide, Please Follow Step as Below



# STEP 3

## PARTS REQUIRED


01- LEFT PANEL x1

02- RIGHT PANEL x1

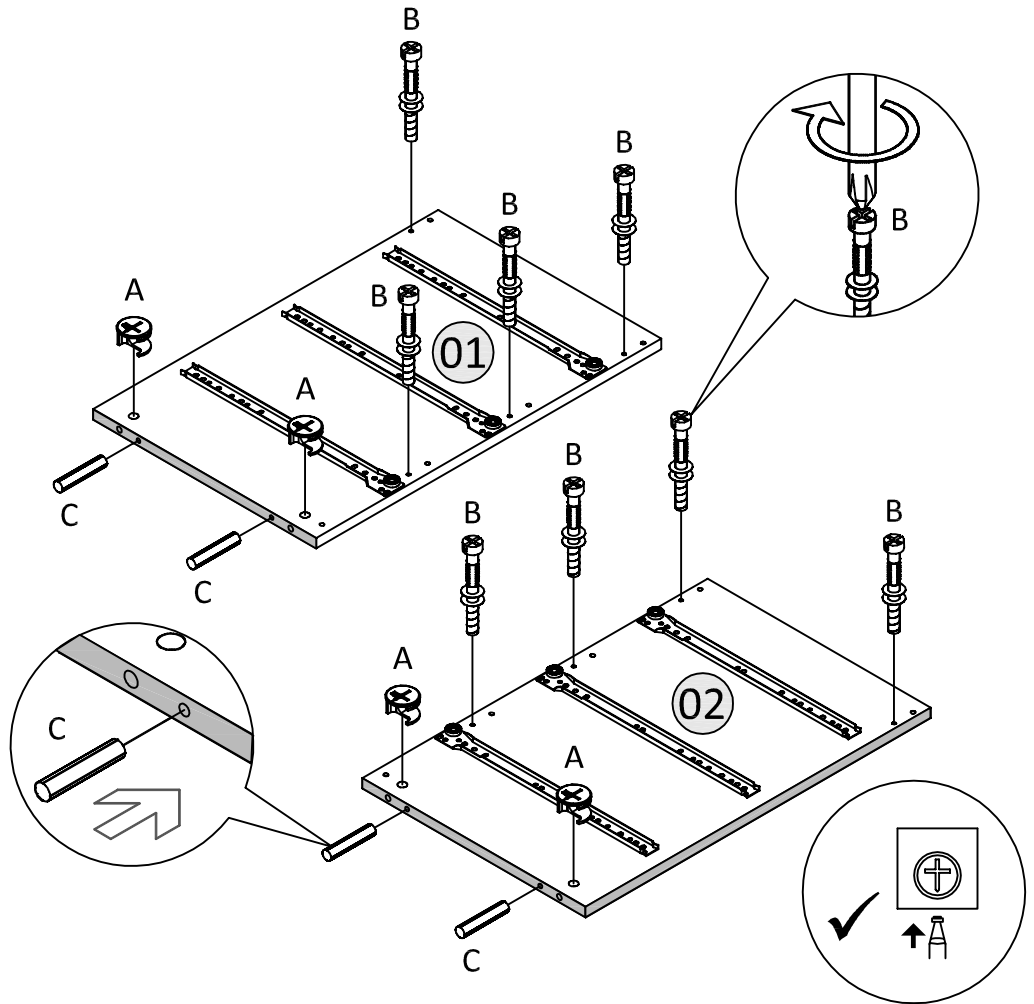
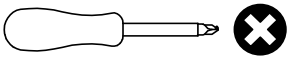
## HARDWARE REQUIRED

A  04

B  08

C  04

## TOOLS REQUIRED



# STEP 4

## PARTS REQUIRED

06- TOP SUPPORT PANEL x1

07- CENTRE SUPPORT PANEL x2


08- BOTTOM SUPPORT PANEL x2

09- TOP PANEL x1

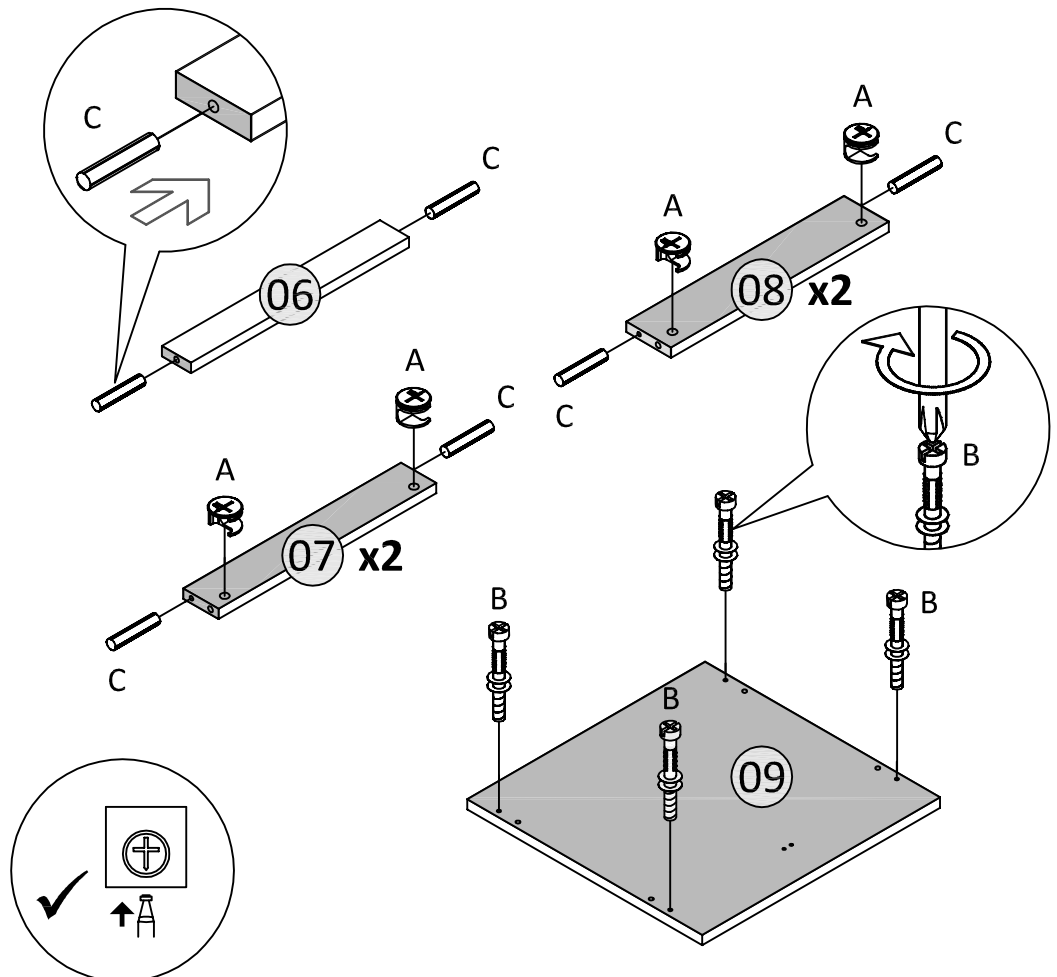
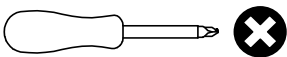
## HARDWARE REQUIRED

A  08

B  04

C  10

## TOOLS REQUIRED





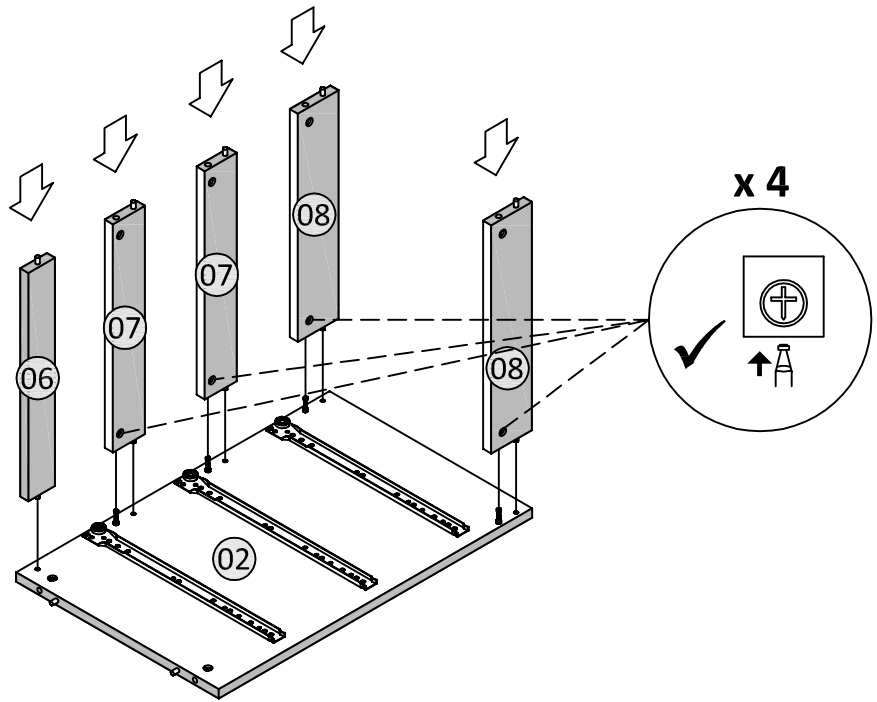
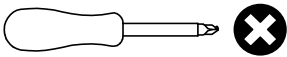
# STEP 5

## PARTS REQUIRED

02- RIGHT PANEL	x1
06- TOP SUPPORT PANEL	x1
07- CENTRE SUPPORT PANEL	x2
08- BOTTOM SUPPORT PANEL	x2

## HARDWARE REQUIRED

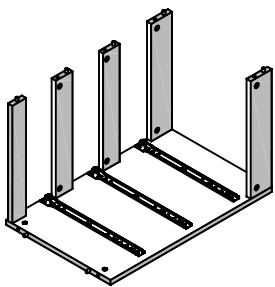
## TOOLS REQUIRED



# STEP 6

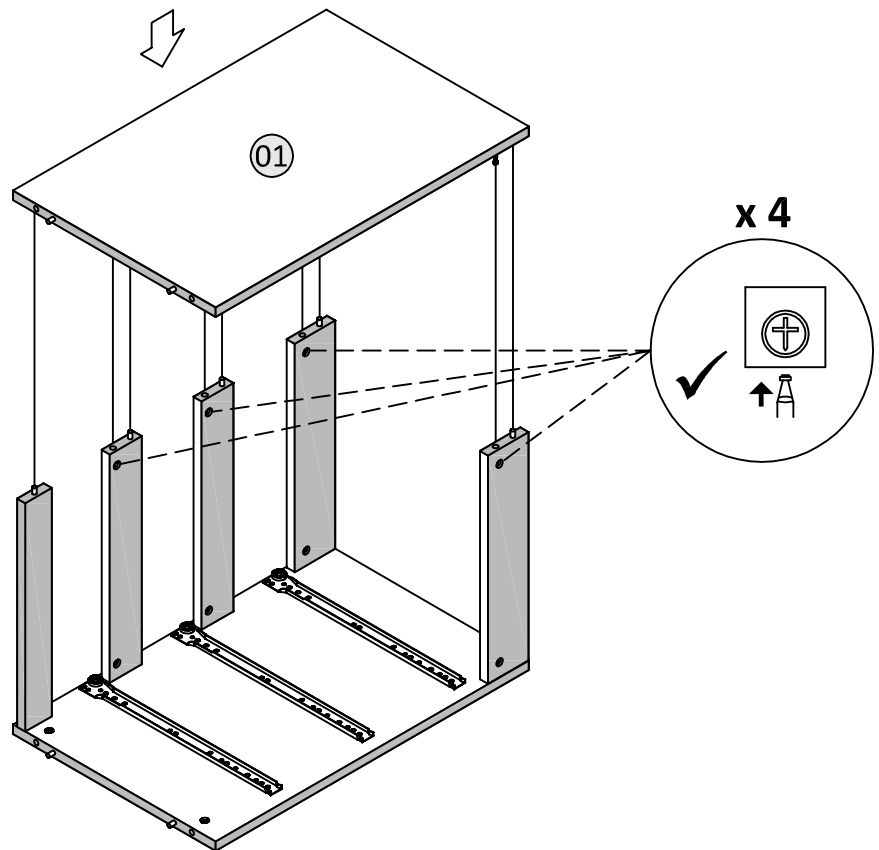
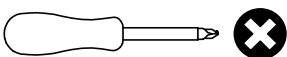
## PARTS REQUIRED

01- LEFT PANEL	x1
----------------	----



## HARDWARE REQUIRED

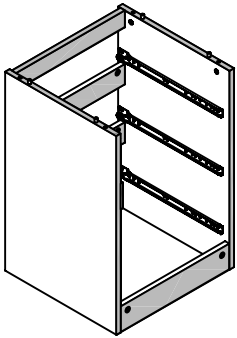
## TOOLS REQUIRED



# STEP 7

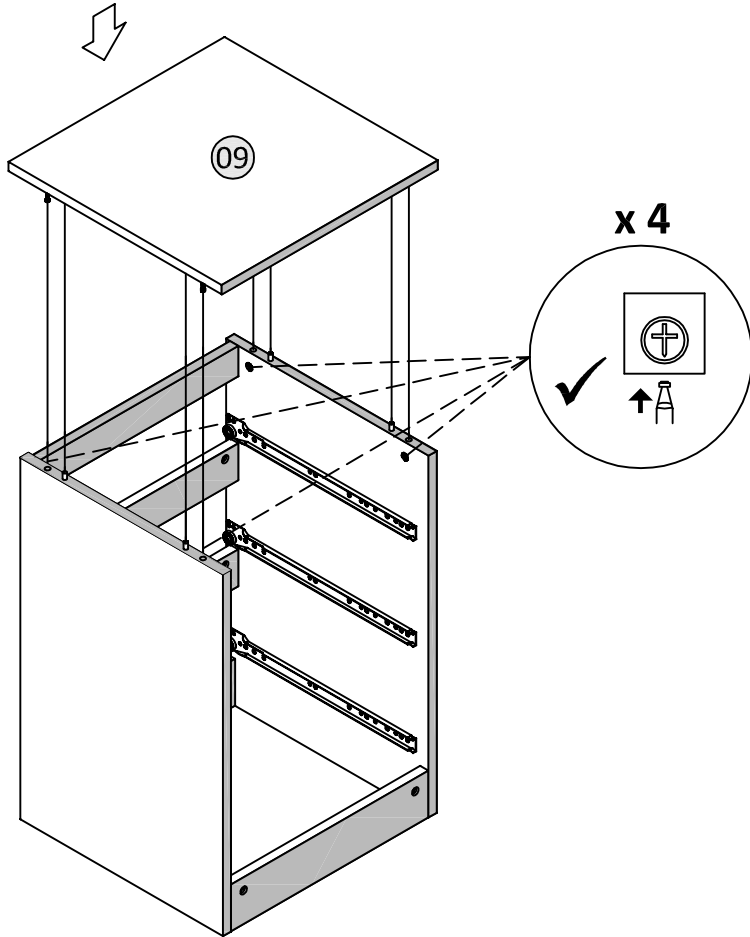
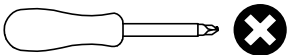
## PARTS REQUIRED

09- TOP PANEL x1



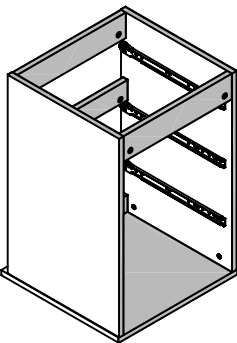
## HARDWARE REQUIRED

## TOOLS REQUIRED




# STEP 8

## PARTS REQUIRED

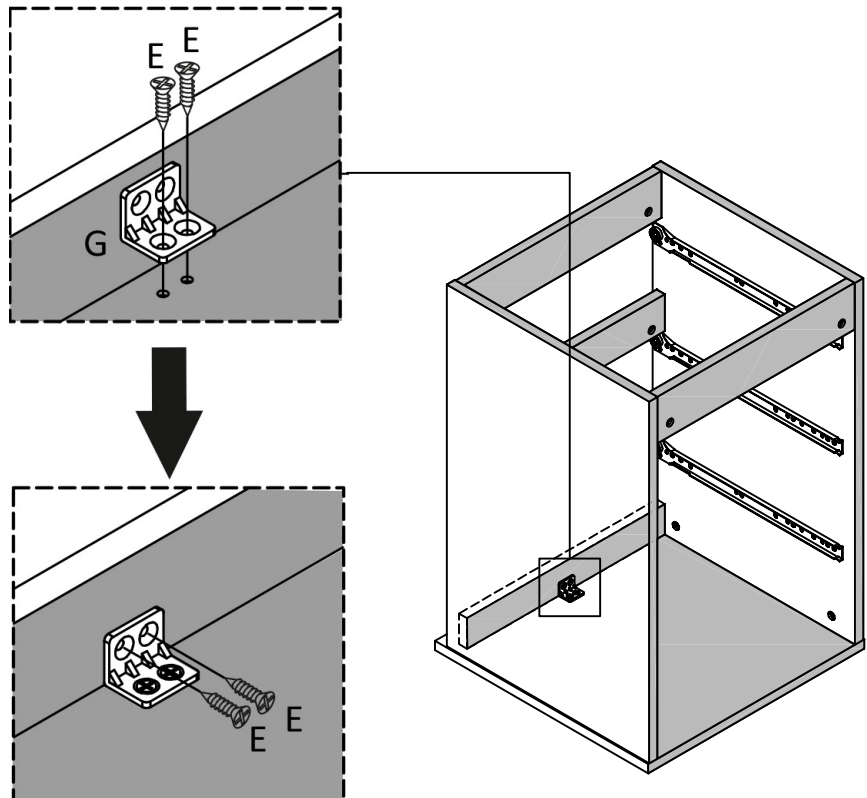
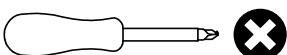


## HARDWARE REQUIRED

E  04

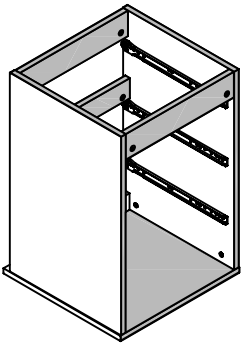
G  01

## TOOLS REQUIRED

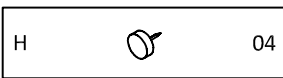


# STEP 9

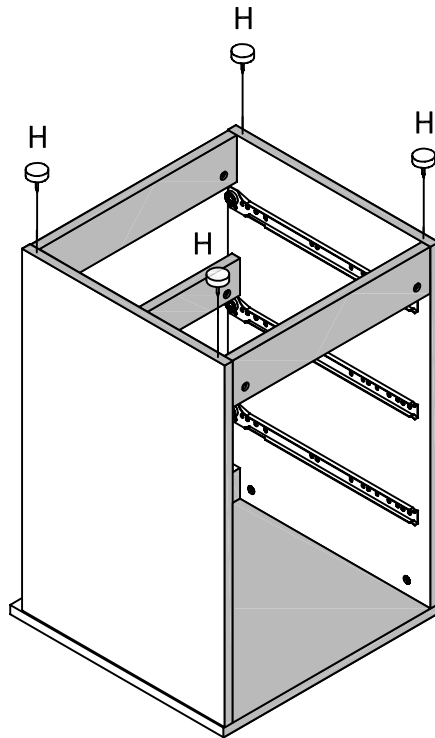
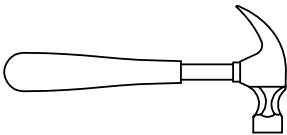
**PARTS REQUIRED**



**HARDWARE REQUIRED**

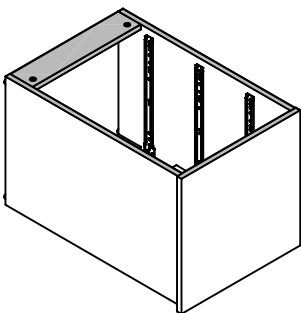
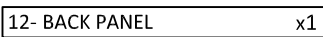


**TOOLS REQUIRED**

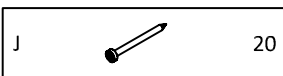


# STEP 10

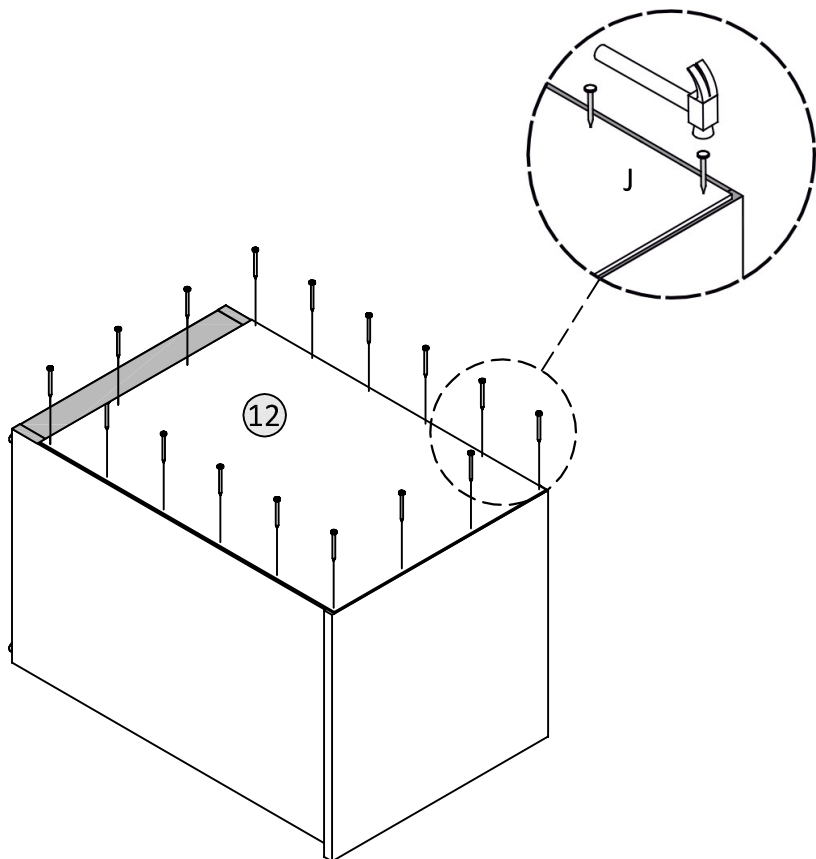
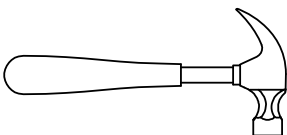
**PARTS REQUIRED**



**HARDWARE REQUIRED**



**TOOLS REQUIRED**






# STEP 11

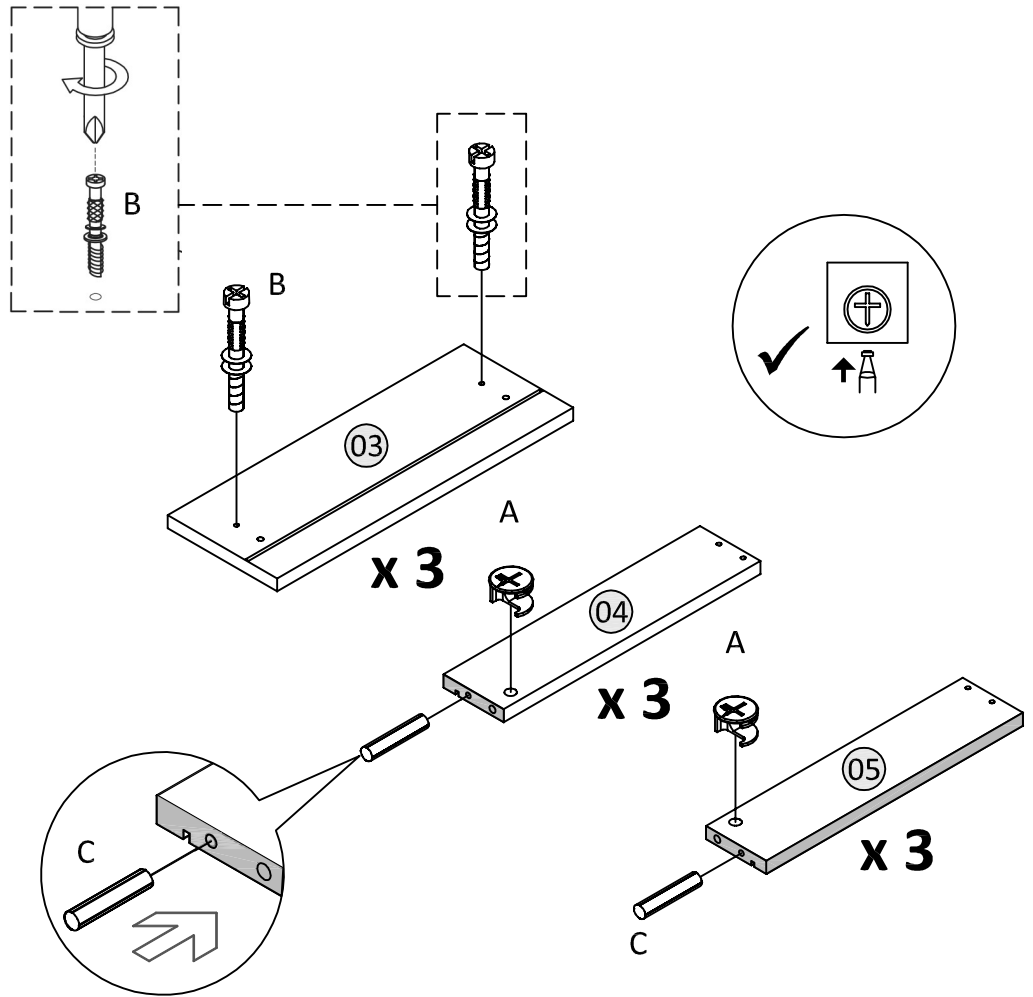
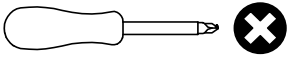
## PARTS REQUIRED

03- DRAWER FRONT	x3
04- DRAWER LEFT PANEL	x3
05- DRAWER RIGHT PANEL	x3

## HARDWARE REQUIRED

A		06
B		06
C		06

## TOOLS REQUIRED



# STEP 12

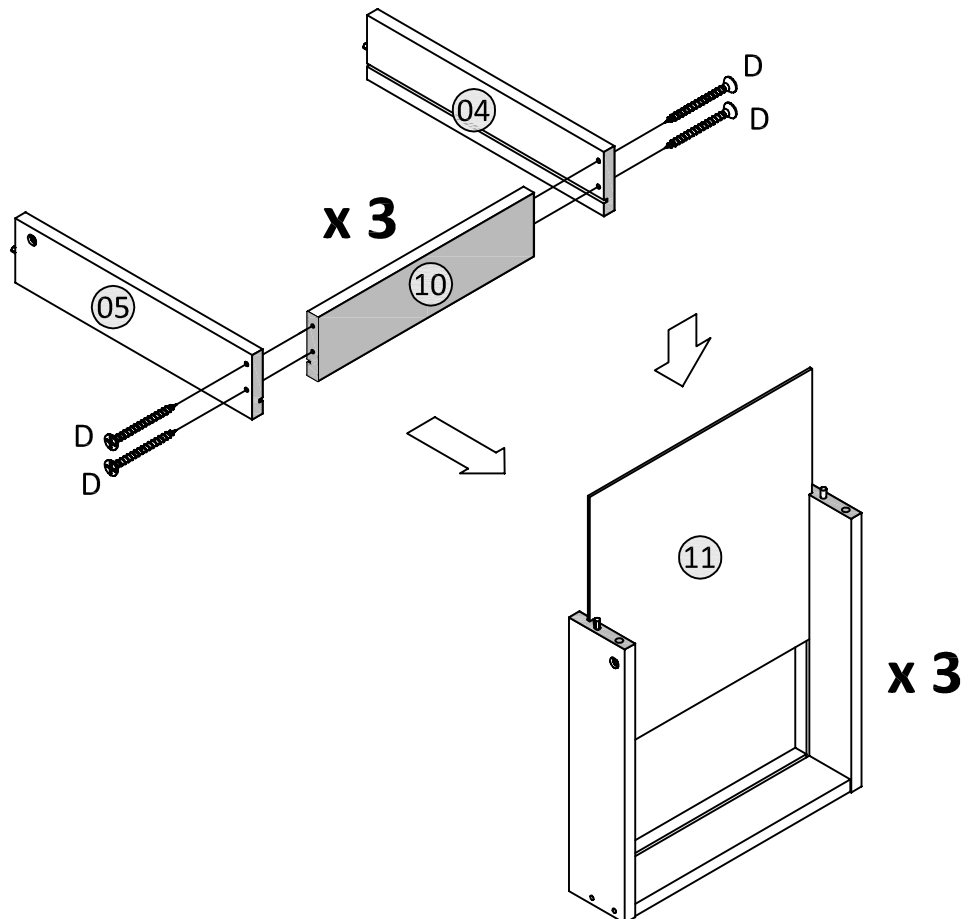
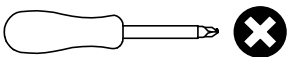
## PARTS REQUIRED

04- DRAWER LEFT PANEL	x3
05- DRAWER RIGHT PANEL	x3
10- DRAWER BACK PANEL	x3
11- DRAWER BOTTOM PANEL	x3

## HARDWARE REQUIRED

D		x12
---	---	-----

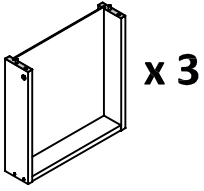
## TOOLS REQUIRED



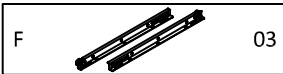
# STEP 13

## PARTS REQUIRED

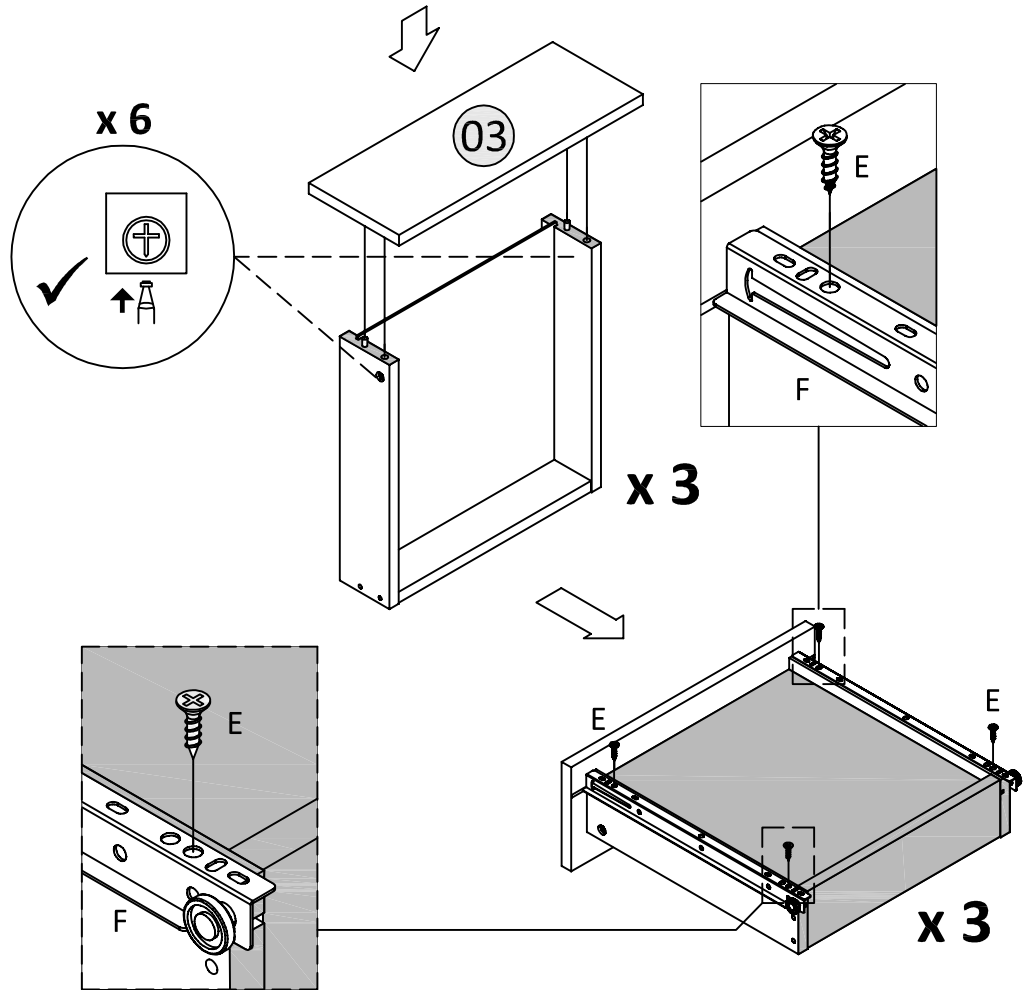
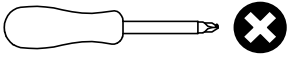
03- DRAWER FRONT x3



## HARDWARE REQUIRED

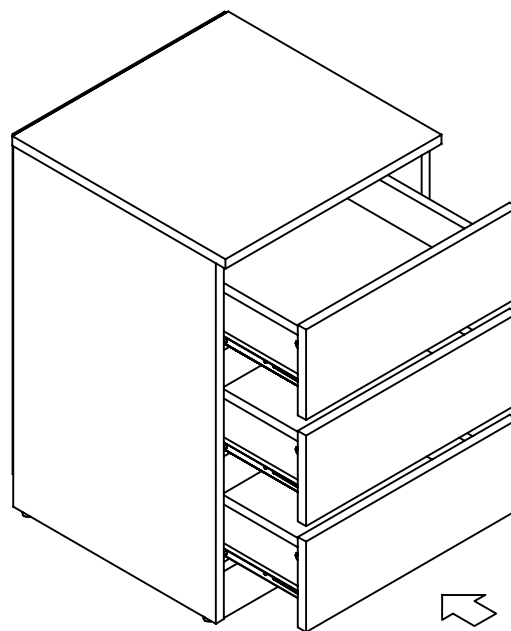
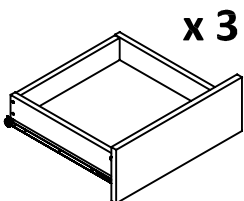
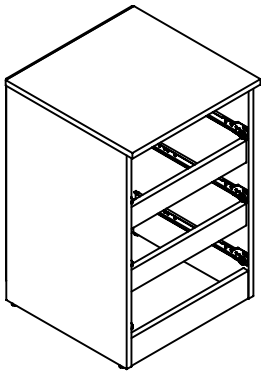


## TOOLS REQUIRED



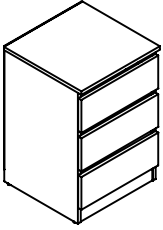
# STEP 14

## PARTS REQUIRED



## STEP 15

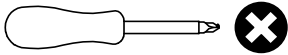
### PARTS REQUIRED



### HARDWARE REQUIRED



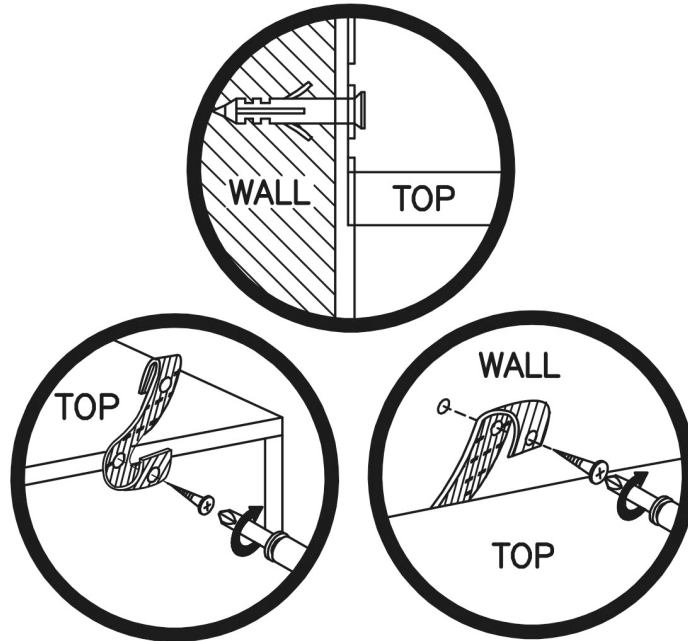
### TOOLS REQUIRED



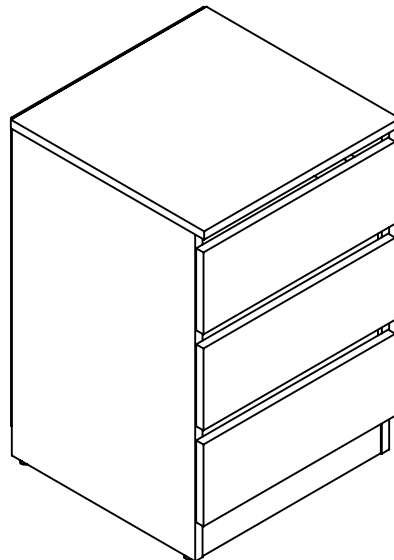
## WARNING

**Serious or fatal injuries can occur from furniture tipping over. To prevent the furniture from tipping over we recommend that it is permanently fixed to the wall.**

Wall fixings are not supplied with this product as different wall materials require different types of fixing devices. Please make sure you use fixings suitable for the walls in your home.



## STEP 16



# FINISH