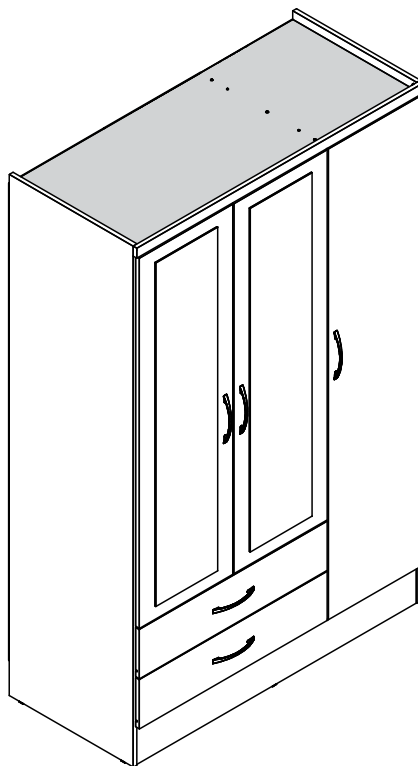


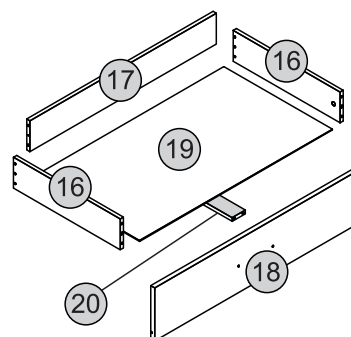
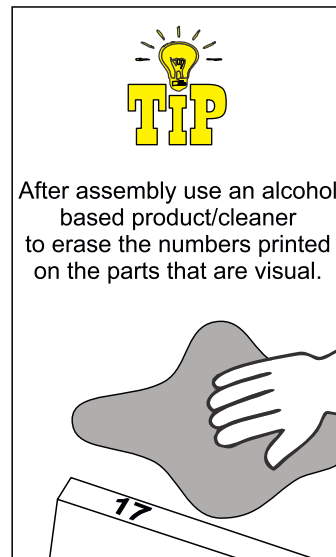
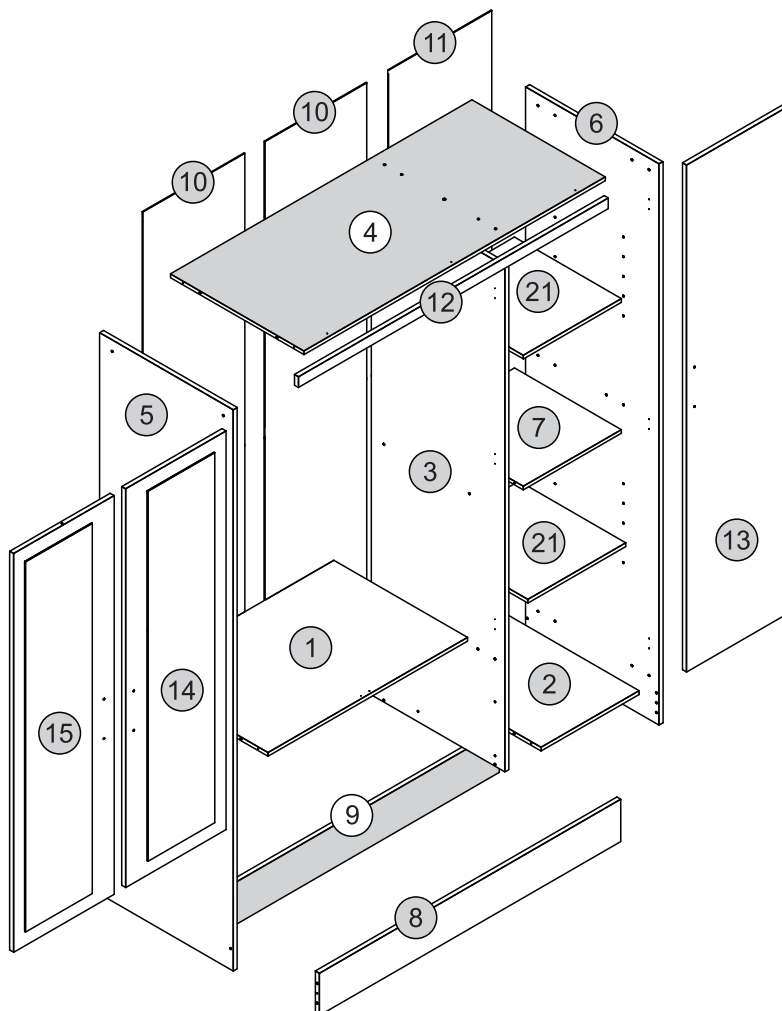
NEVADA 3 DOOR 2 DRAWER WARDROBE ASSEMBLY INSTRUCTIONS



IMPORTANT FOR DOMESTIC USE ONLY PLEASE READ BEFORE YOU CONTINUE FURTHER CARE AND MAINTENANCE

After unpacking this product please keep the original packaging in case it needs to be returned for any reason.

- Please ensure all fittings and parts are present before commencing with assembly.
- Never drag or push products as this could cause damage to the joints making it inferior.
- We strongly recommend that you keep children away from your work area.
- We recommend that you lay a blanket or sheet on the floor to avoid damage to both your floor and the product.
- Assemble this product as close to its final position as possible.
- Do not place this product next to a radiator or in direct sunlight.
- Do not drag or push items across your high gloss furniture as this may cause the surface to scratch
- Wood is a natural product and may expand if subjected to damp and may shrink or crack if subjected to heat. Therefore it is recommended that room temperature is maintained, with no sudden temperature fluctuations.
- Make sure any spillage is wiped off immediately.
- Do not place hot or chilled items directly on to the surface, use a place mat or marking will occur.
- For general cleaning use a soft cotton or micro fibre cloth, and do not use detergents of any kind.
- From time to time it may be necessary to tighten fittings, regular inspections should be carried out.
- Do not place on a wet or damp floor as staining may occur to your floor.

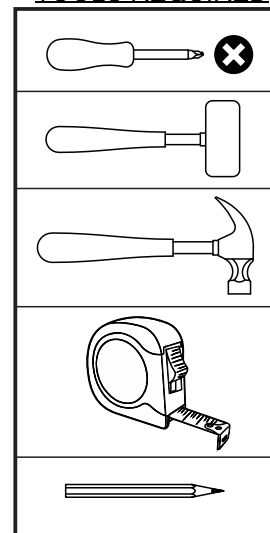


PARTS LIST

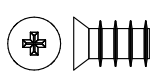
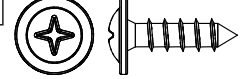
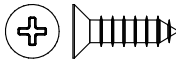
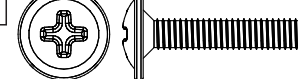
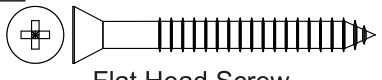



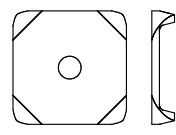
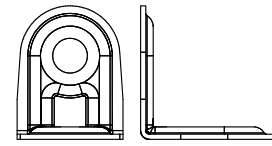
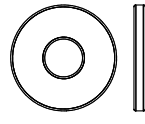
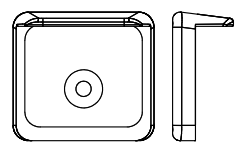
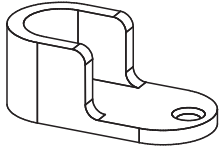
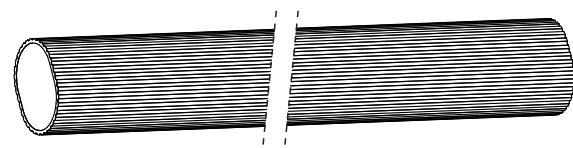
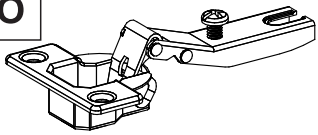
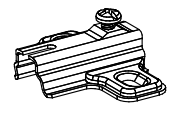
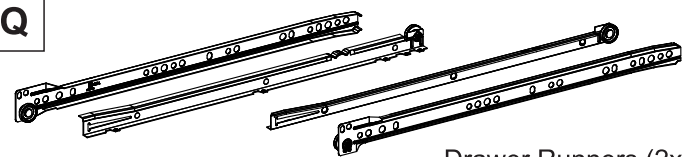
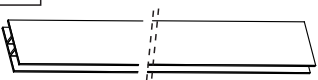



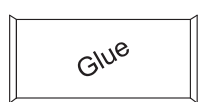
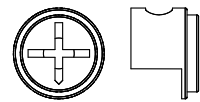
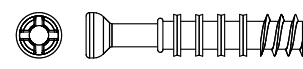
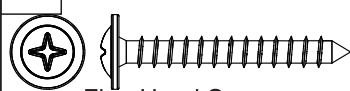
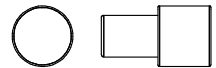
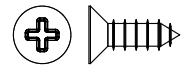
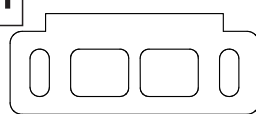
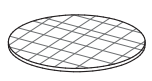
Please Note:
The below parts have all been stamped with the part number to help identify them during assembly.

| Part Number | Part Description | Quantity | Carton |
|-------------|--------------------------|----------|--------|
| 01 | Large Base Panel | 1 | 2/3 |
| 02 | Small Base Panel | 1 | 2/3 |
| 03 | Division Panel | 1 | 1/3 |
| 04 | Top Panel | 1 | 2/3 |
| 05 | Left Side Panel | 1 | 1/3 |
| 06 | Right Side Panel | 1 | 1/3 |
| 07 | Shelf | 1 | 2/3 |
| 08 | Front Baseboard | 1 | 2/3 |
| 09 | Back Baseboard | 1 | 2/3 |
| 10 | Small Back Panel | 2 | 3/3 |
| 11 | Large Back Panel | 1 | 3/3 |
| 12 | Frame | 1 | 1/3 |
| 13 | Large Door | 1 | 3/3 |
| 14 | Right Small Door | 1 | 3/3 |
| 15 | Left Small Door | 1 | 3/3 |
| 16 | Drawer Side | 4 | 2/3 |
| 17 | Drawer Back Panel | 2 | 2/3 |
| 18 | Drawer Front | 2 | 2/3 |
| 19 | Drawer Botom | 2 | 1/3 |
| 20 | Drawer Botom Support Bar | 2 | 2/3 |
| 21 | Movable Shelf | 2 | 2/3 |

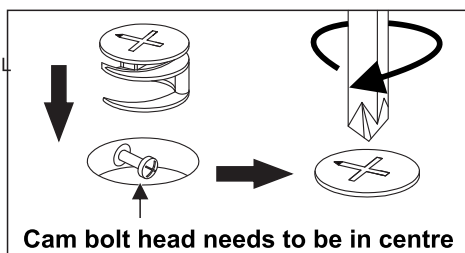
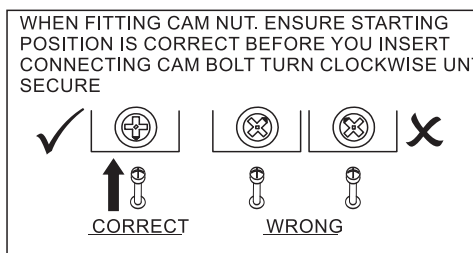
TOOLS REQUIRED



FITTINGS LIST

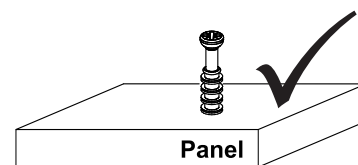
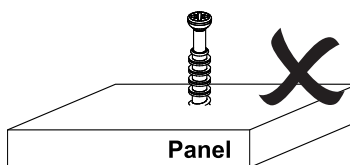
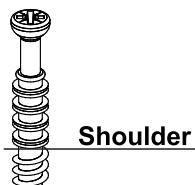
| | | | |
|--|--|--|---|
| <p>A</p>  <p>Flat Head Screw Ø6,0 x 10mm (8x)</p> <p>1/+</p> | <p>B</p>  <p>Flan Head Screw Ø4,0 x 14mm (9x)</p> <p>1/+</p> | <p>C</p>  <p>Flat Head Screw Ø4,0 x 14mm (52x)</p> <p>2/+</p> | <p>D</p>  <p>Flan Head Screw Ø4,0 x 20mm (10x)</p> <p>2/+</p> |
| <p>E</p>  <p>Flat Head Screw Ø3,5 x 40mm (4x)</p> <p>1/+</p> | <p>F</p>  <p>Flat Head Screw Ø4,0 x 50mm (26x)</p> <p>2/+</p> | | <p>G</p>  <p>2/+ Dowel Ø6,0 x 30mm (46x)</p> |
| <p>H</p>  <p>2/+ Nail 10 x 10 (88x)</p> | <p>I</p>  <p>2/+ Back Panel Bracket (16x)</p> | <p>J</p>  <p>1/+ 'L' Metallic Support (7x)</p> | <p>K</p>  <p>1/+ Washer (4x)</p> |
| <p>L</p>  <p>1/+ Plastic Foot (6x)</p> | <p>M</p>  <p>Hanging Rail Support (2x)</p> | <p>N</p>  <p>Hanging Rail (1x)</p> | |
| <p>O</p>  <p>Hinge (9x)</p> | <p>P</p>  <p>Hinge Plate (9x)</p> | <p>Q</p>  <p>Drawer Runners (2x)</p> | |
| <p>R</p>  <p>Back Panel Strip (1x)</p> | <p>S</p>  <p>Strap (2x)</p> | <p>T</p>  <p>Handle (5x)</p> | <p>U</p>  <p>4/+ Hole Plugs (14x)</p> |
| <p>V</p>  <p>Glue (2x)</p> | <p>W</p>  <p>1/+ Cam Nut (4x)</p> | <p>X</p>  <p>1/+ Cam Bolt (4x)</p> | <p>Y</p>  <p>1/+ Flan Head Screw Ø3,5 x 30mm (2x)</p> |
| <p>Z</p>  <p>1/+ Support Pin (8x)</p> | <p>A1</p>  <p>2/+ Flat Head Screw Ø4,0 x 12mm (18x)</p> | <p>B1</p>  <p>Door Support (2x)</p> | <p>C1</p>  <p>4/+ Hole Plugs (08x)</p> |

TIPS FOR FITTINGS CAM-LOCKS



CAMBOLT

Tighten until shoulder in flush with panel. Do not overtighten or undertighten (see example beside)




STEP 1

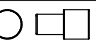
PARTS REQUIRED

3 - DIVISION PANEL x1

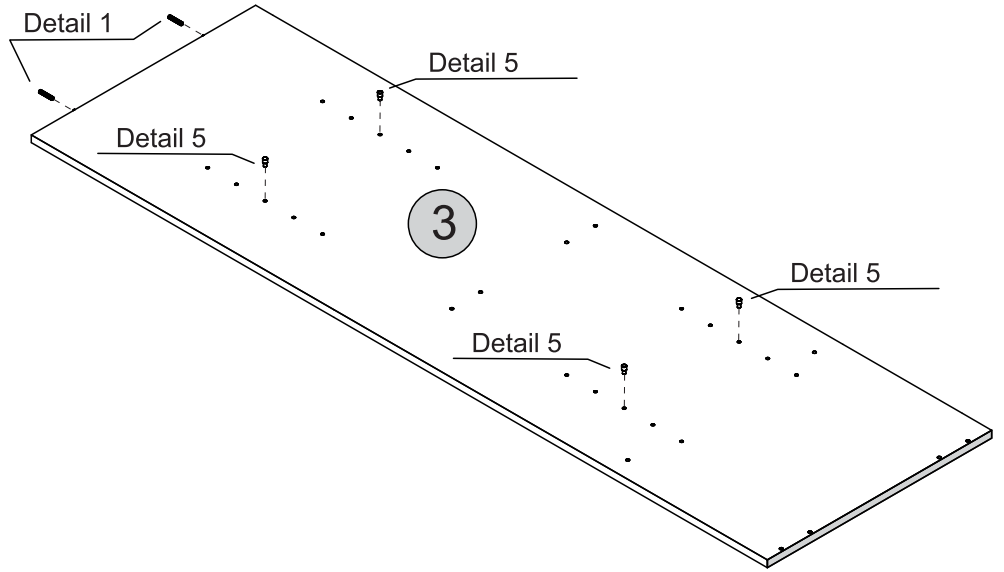
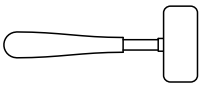
HARDWARE REQUIRED

G  02
Ø6.0 x 30mm

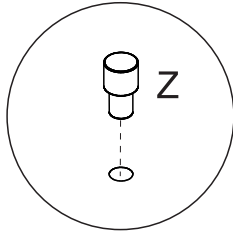
V  01
Glue

Z  04

TOOLS REQUIRED



Detail 1



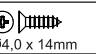
Detail 5

STEP 2

PARTS REQUIRED

3 - DIVISION PANEL x1

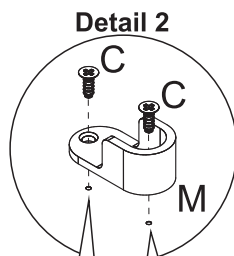
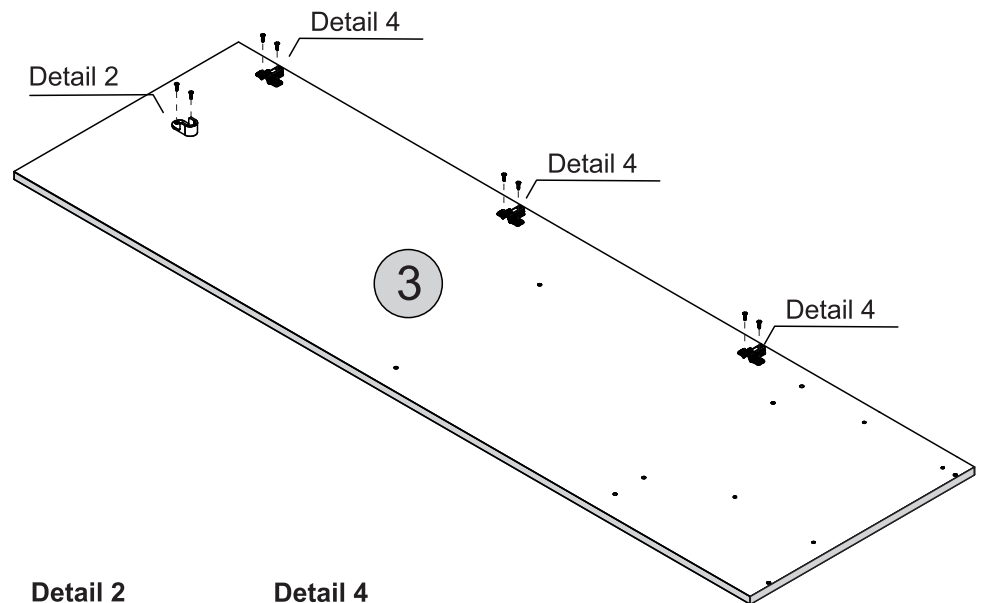
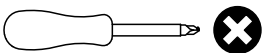
HARDWARE REQUIRED

C  08
Ø4,0 x 14mm

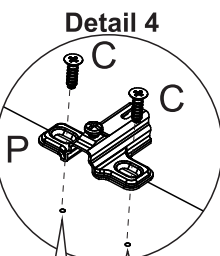
M  01

P  03

TOOLS REQUIRED



Please note:
Pre-marked
Holes




Please note:
Pre-marked
Holes


STEP 3

PARTS REQUIRED

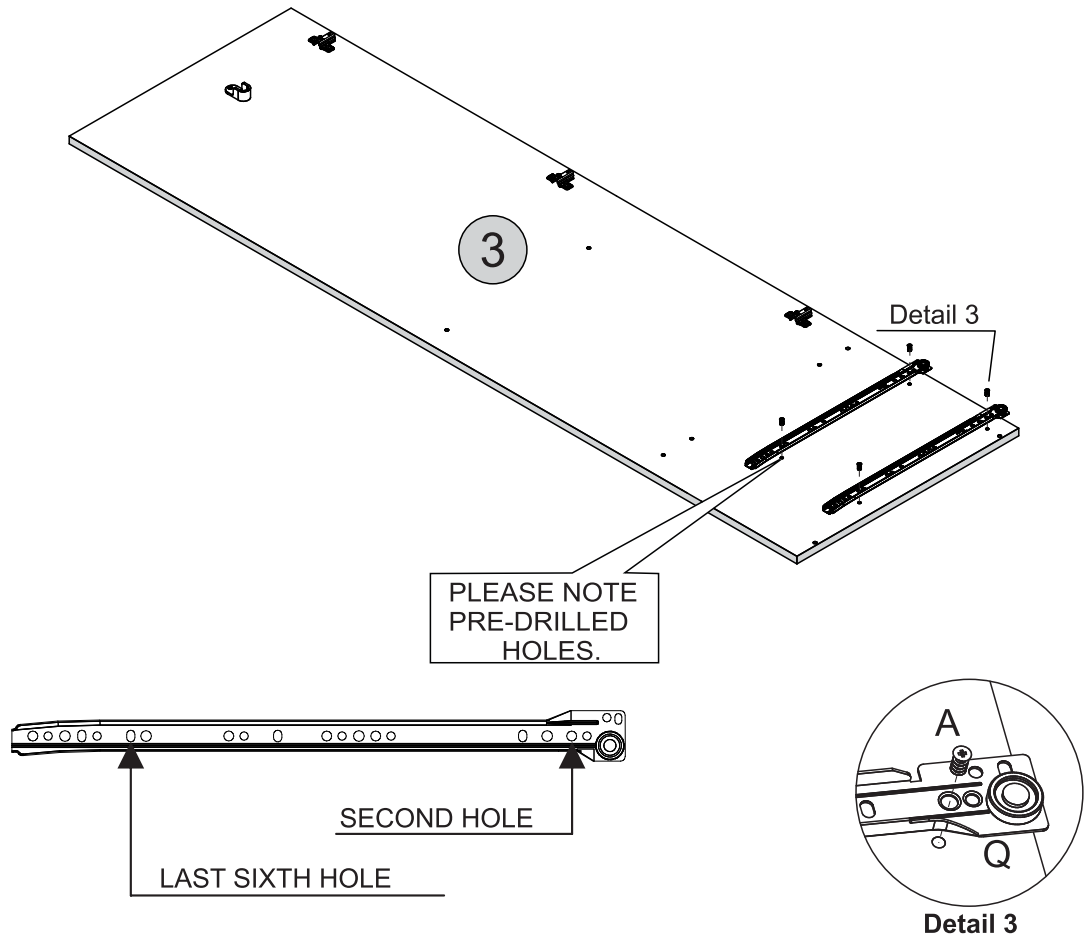
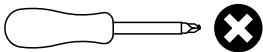
3 - DIVISION PANEL x1

HARDWARE REQUIRED

A  04
Ø6,0 x 10mm

Q  02
Right

TOOLS REQUIRED

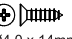


STEP 4

PARTS REQUIRED

5 - LEFT SIDE PANEL x1

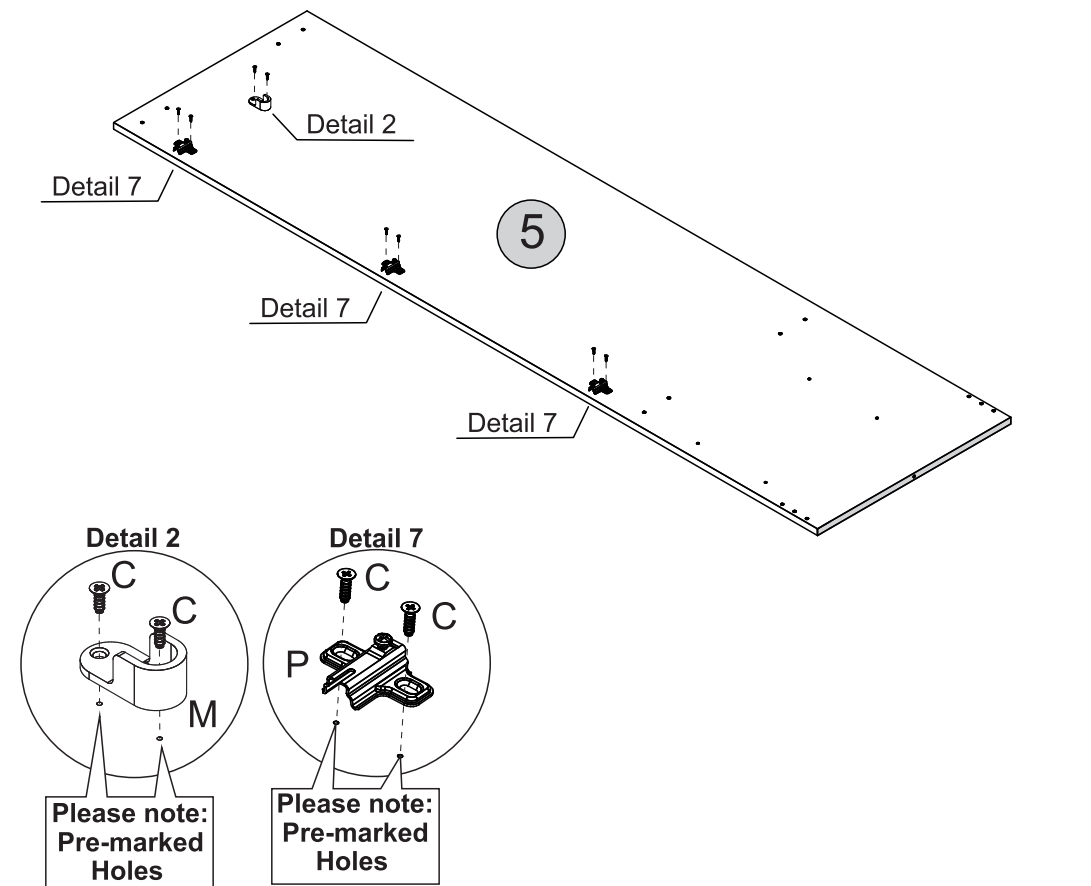
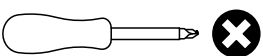
HARDWARE REQUIRED

C  08
Ø4,0 x 14mm

M  01

P  03

TOOLS REQUIRED




STEP 5

PARTS REQUIRED

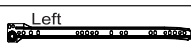
5 - LEFT SIDE PANEL x1

HARDWARE REQUIRED

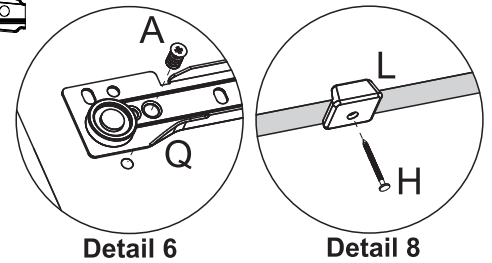
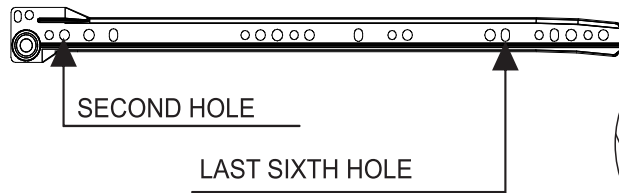
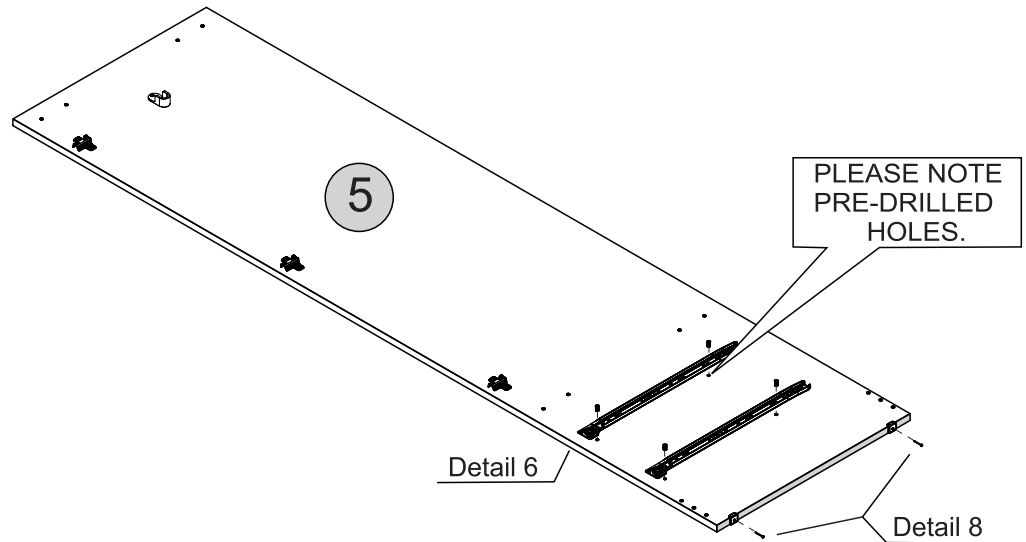
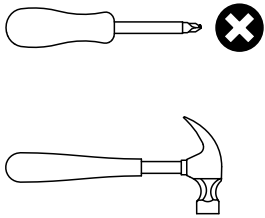
A  04
Ø6,0 x 10mm

H  02

L  02

Q  02

TOOLS REQUIRED

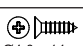


STEP 6

PARTS REQUIRED

6 - RIGHT SIDE PANEL x1

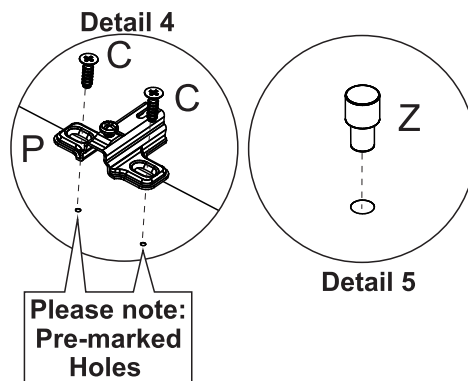
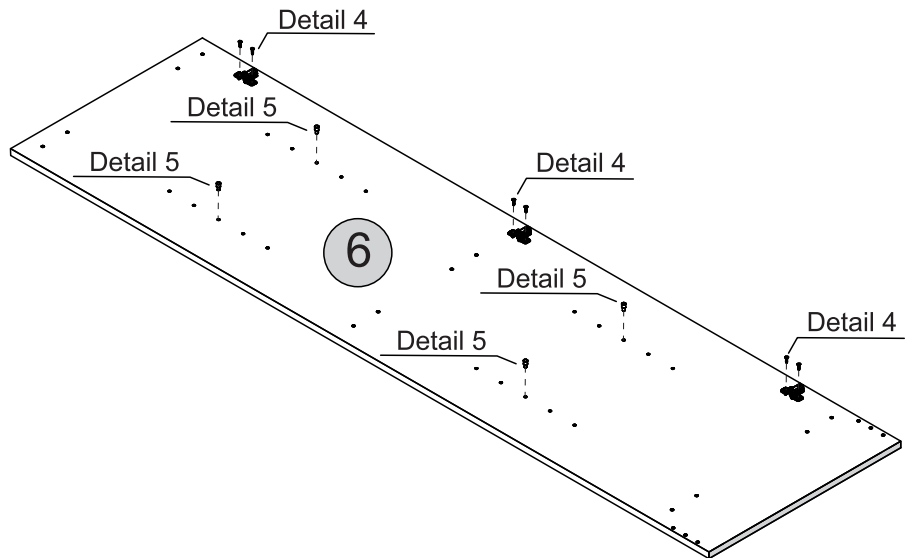
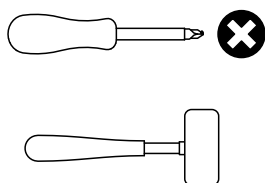
HARDWARE REQUIRED

C  06
Ø4,0 x 14mm

P  03

Z  04

TOOLS REQUIRED



STEP 7


PARTS REQUIRED

6 - RIGHT SIDE PANEL x1

8 - FRONT BASEBOARD x1


9 - BACK BASEBOARD x1

HARDWARE REQUIRED

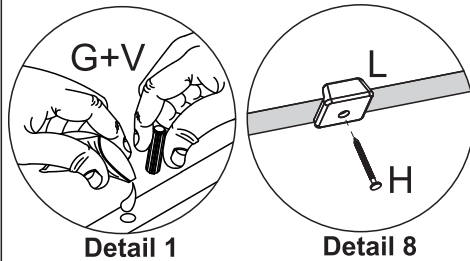
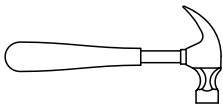
G  08
Ø6,0 x 30mm

H  04

L  04

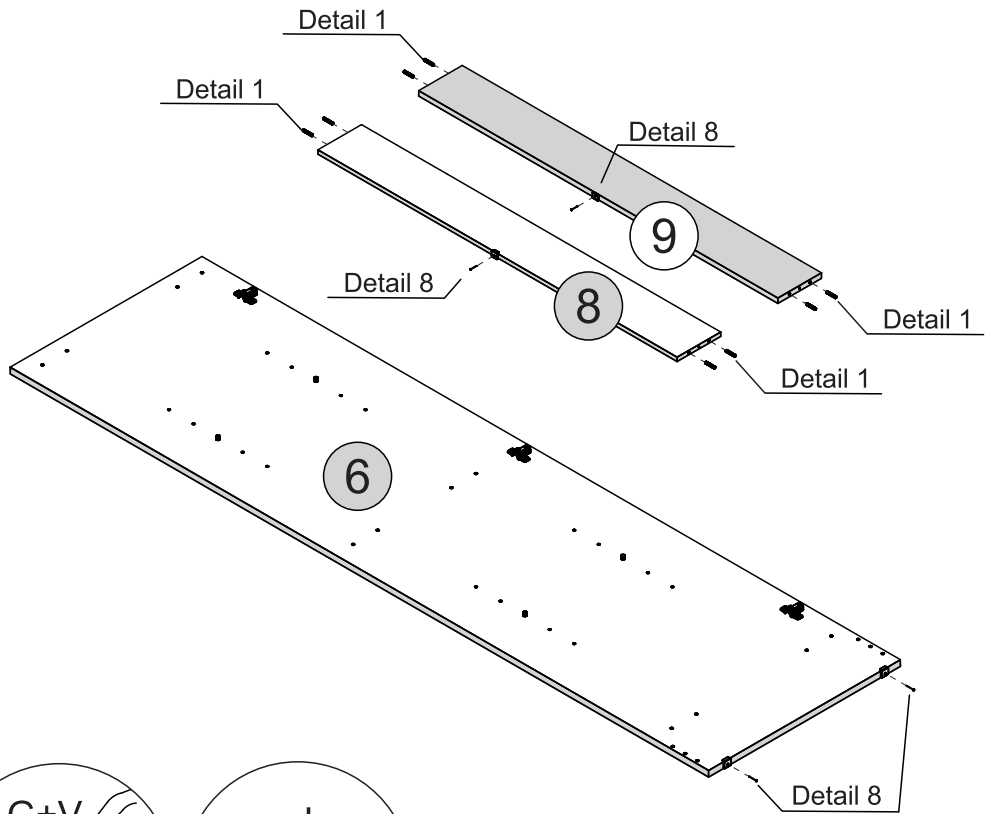
V  01

TOOLS REQUIRED



Detail 1

Detail 8



STEP 8

PARTS REQUIRED


1 - LARGE BASE PANEL x1

2 - SMALL BASE PANEL x1

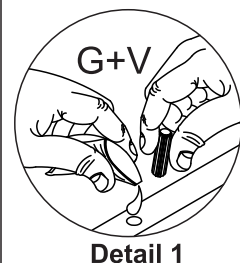
4 - TOP PANEL x1

7 - SHELF x1

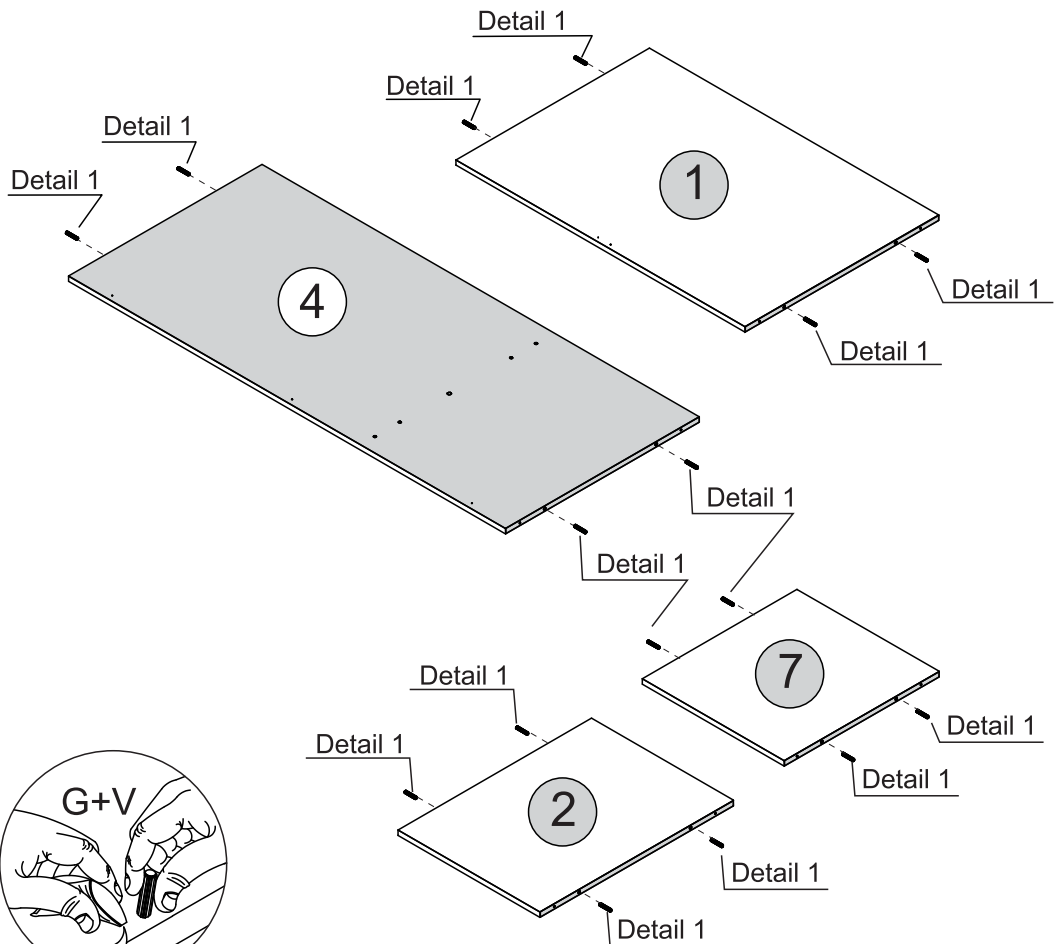
HARDWARE REQUIRED

G  16
Ø6,0 x 30mm

V  01



Detail 1




STEP 9

PARTS REQUIRED

1 - LARGE BASE PANEL x1

4 - TOP PANEL x1

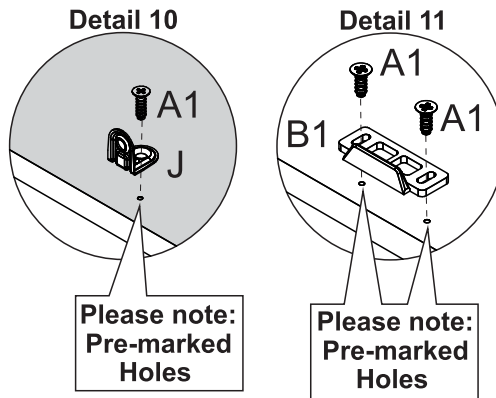
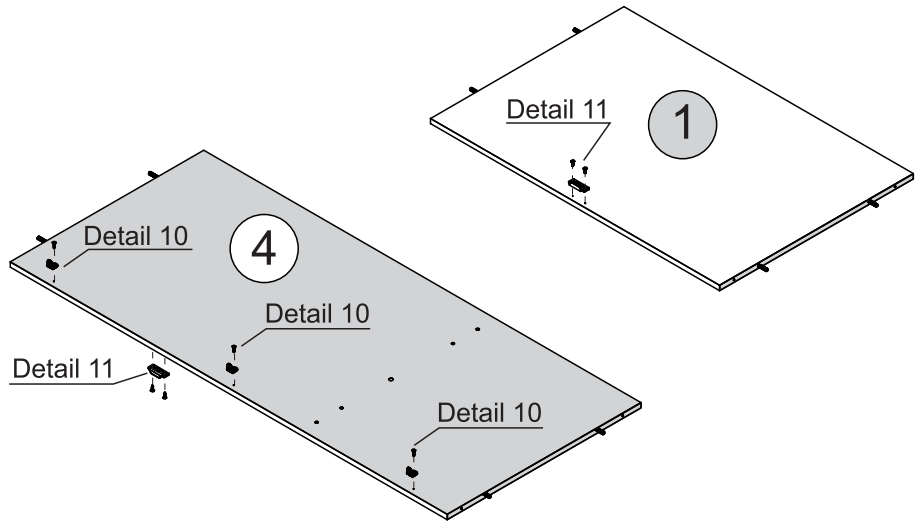
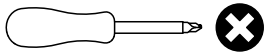
HARDWARE REQUIRED

A1  07
Ø4,0 x 12mm

B1  02

J  03

TOOLS REQUIRED



STEP 10

PARTS REQUIRED

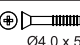
1 - LARGE BASE PANEL x1


2 - SMALL BASE PANEL x1

3 - DIVISION PANEL x1

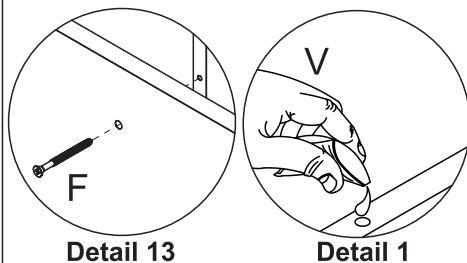
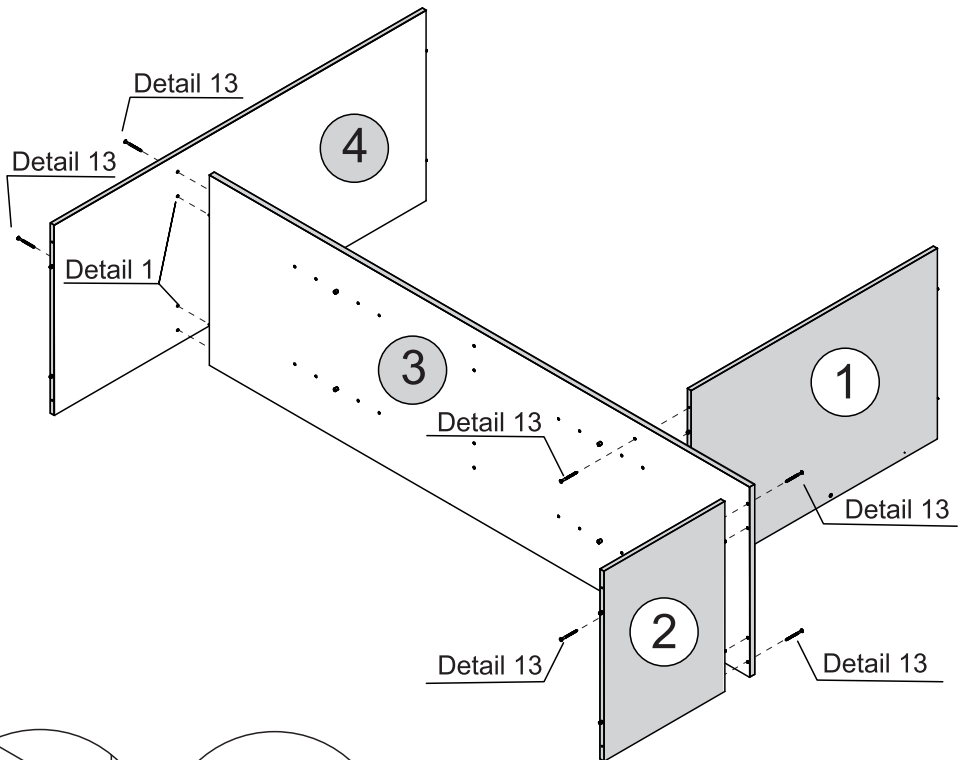
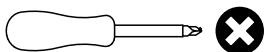
4 - TOP PANEL x1

HARDWARE REQUIRED

F  06
Ø4,0 x 50mm

V  01

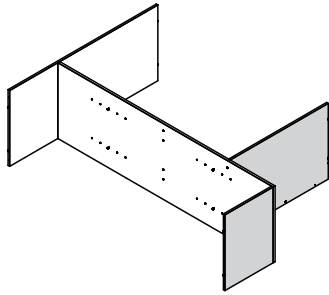
TOOLS REQUIRED




STEP 11

PARTS REQUIRED

5 - LEFT SIDE PANEL x1

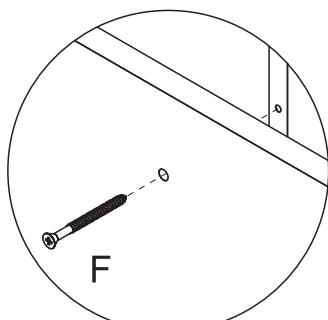
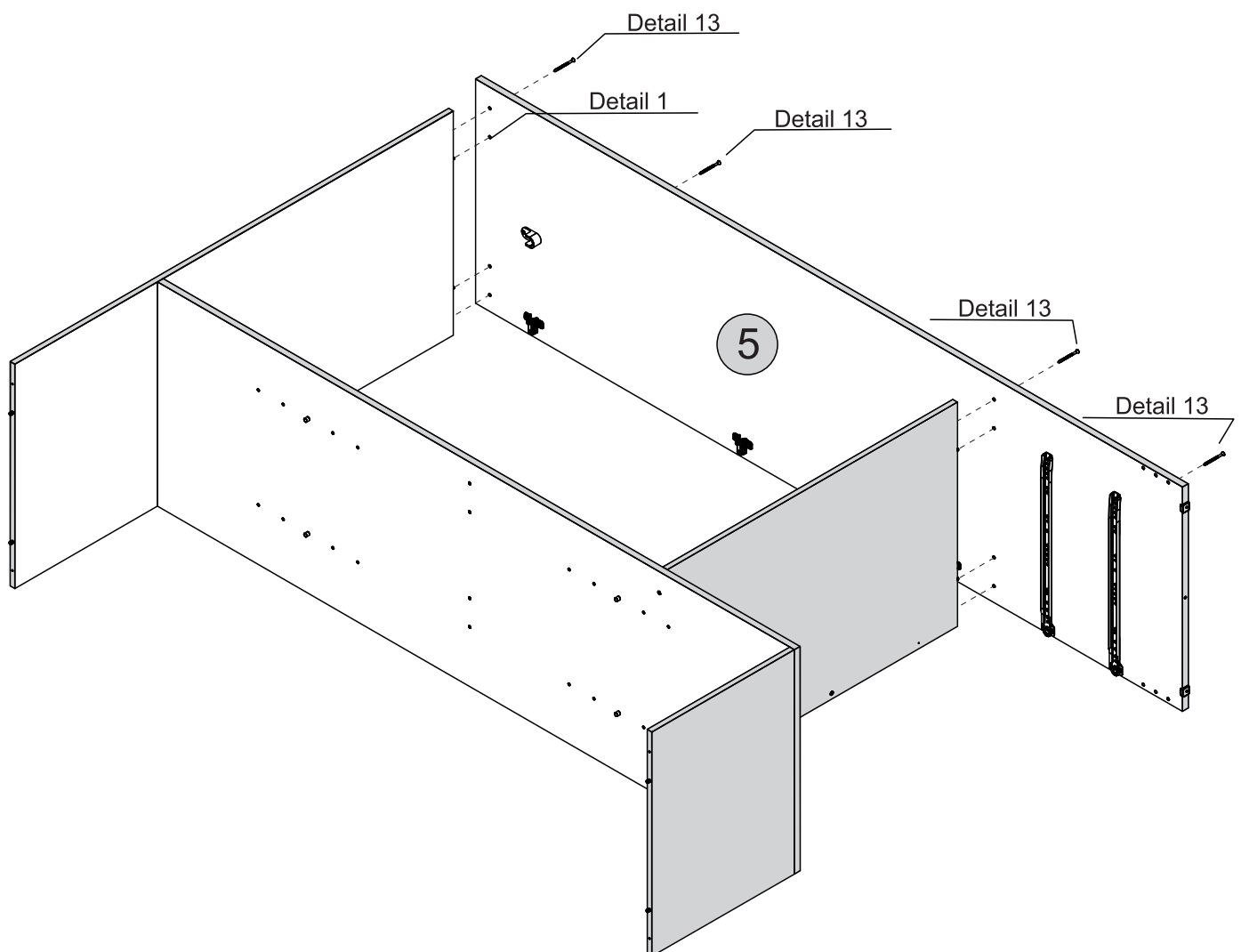
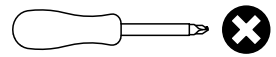


HARDWARE REQUIRED

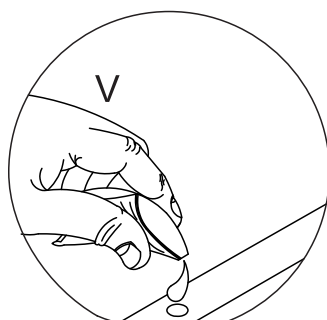
F  Ø4,0 x 50mm 04

V  01

TOOLS REQUIRED



Detail 13



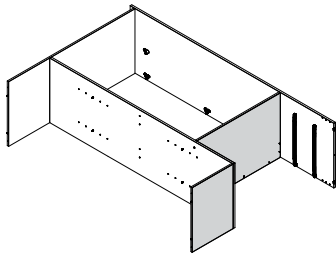
Detail 1

STEP 12

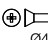

PARTS REQUIRED

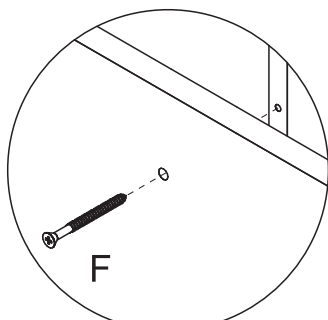
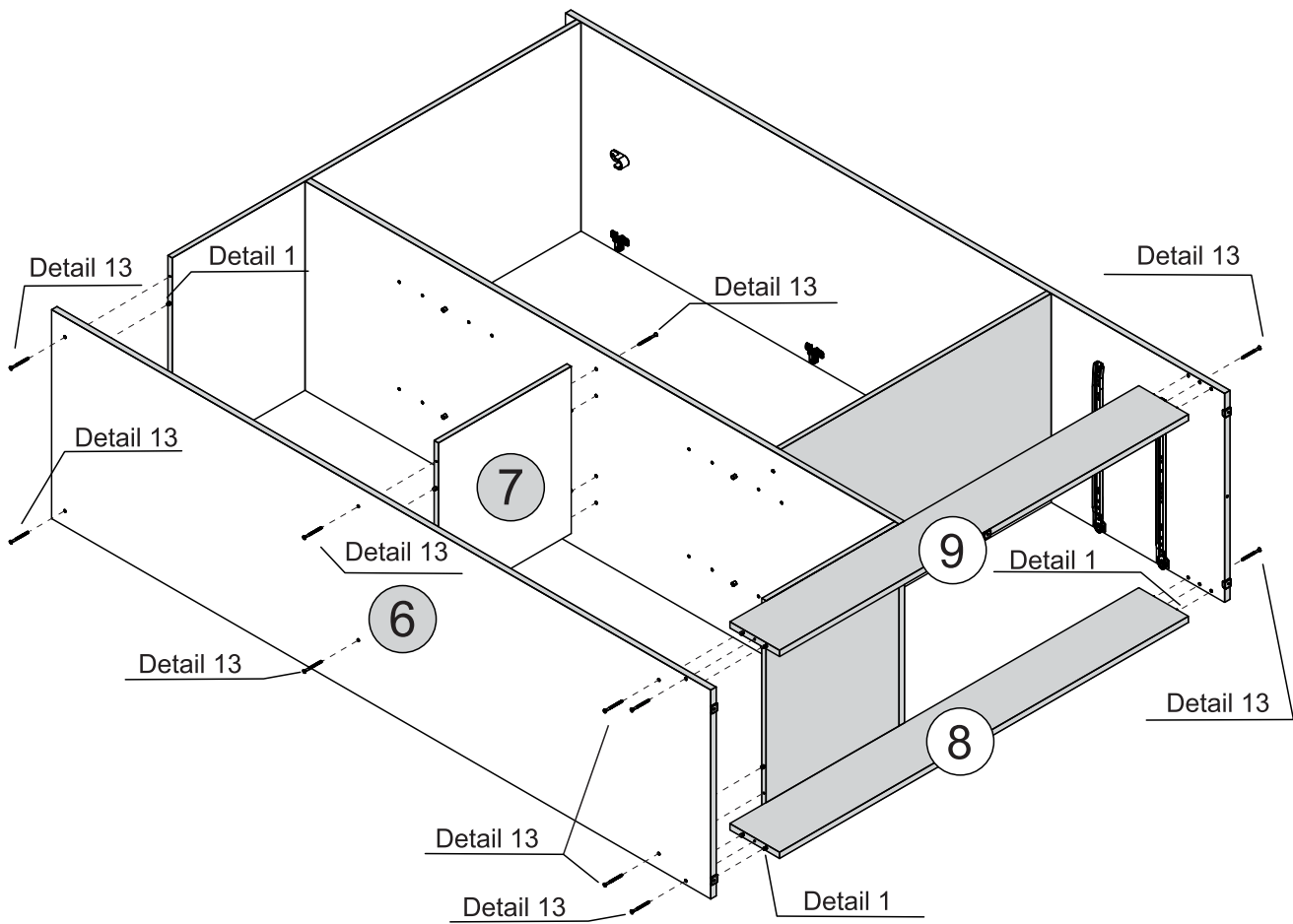
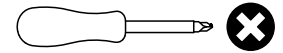
HARDWARE REQUIRED

TOOLS REQUIRED

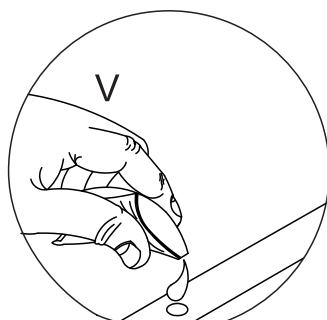


| | |
|----------------------|----|
| 6 - RIGHT SIDE PANEL | x1 |
| 7 - SHELF | x1 |
| 8 - FRONT BASEBOARD | x1 |
| 9 - BACK BASEBOARD | x1 |

| | | |
|---|---|----|
| F |  Ø4,0 x 50mm | 12 |
| V |  Glue | 01 |



Detail 13

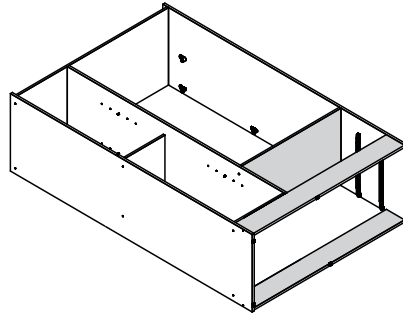


Detail 1


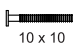
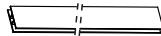
STEP 13

PARTS REQUIRED

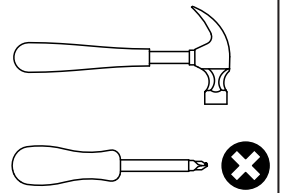
- 10 - SMALL BACK PANEL x2
- 11 - LARGE BACK PANEL x1



HARDWARE REQUIRED

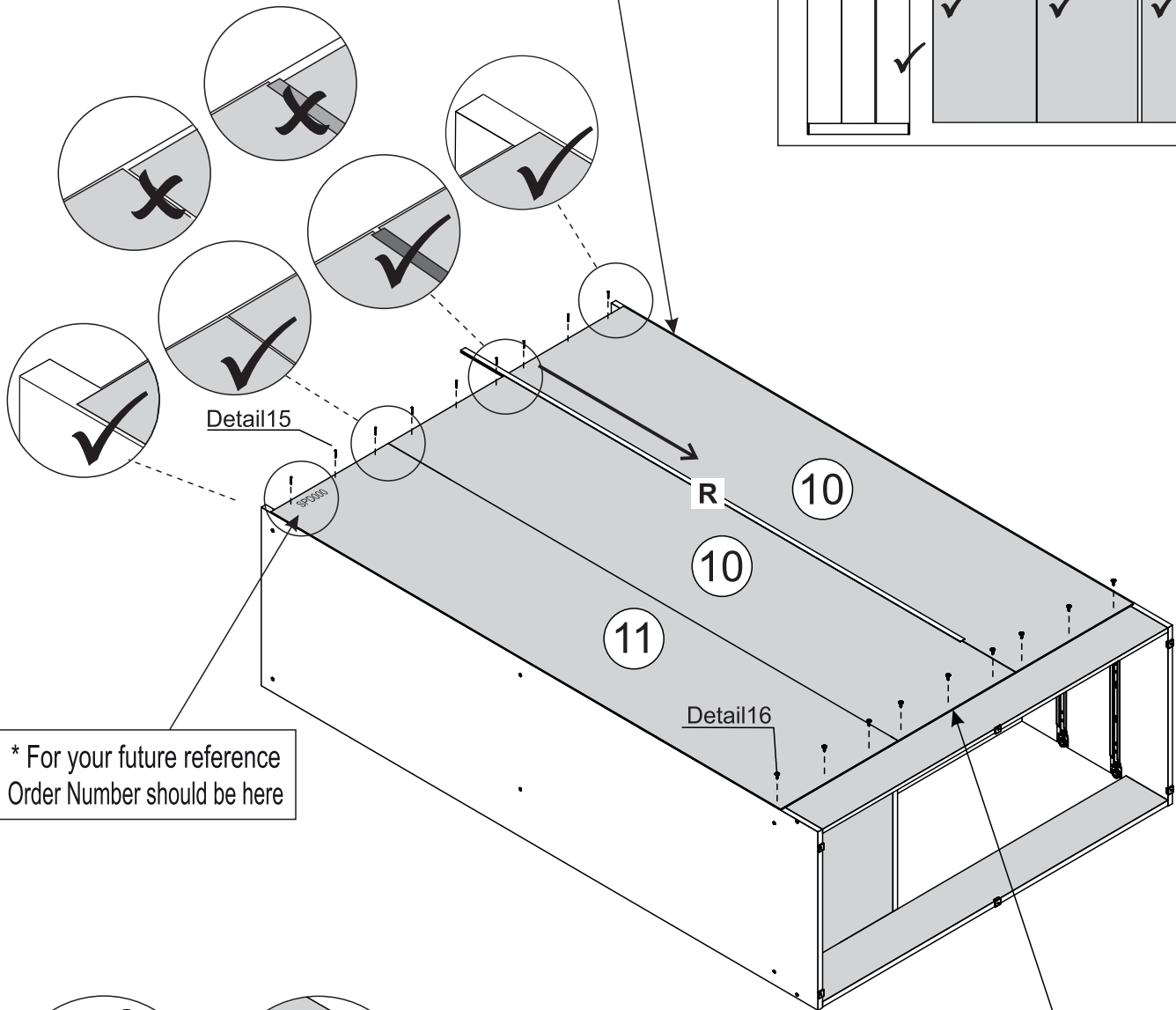
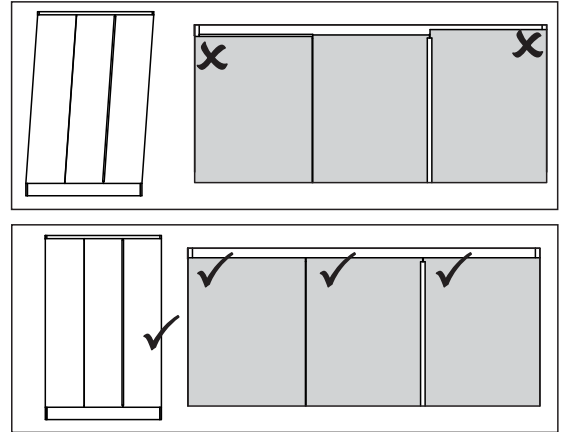
- B  09
Ø4,0 x 14mm
- H  09
10 x 10
- R  01

TOOLS REQUIRED



IMPORTANT PLEASE FOLLOW !

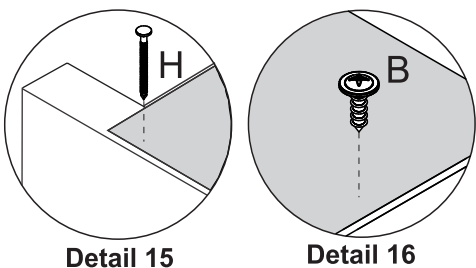
Please make sure Part 10/11 is lined up correctly at the top before placing fitting H into the panel as this can affect the alignment of the doors once assembled.



* For your future reference Order Number should be here

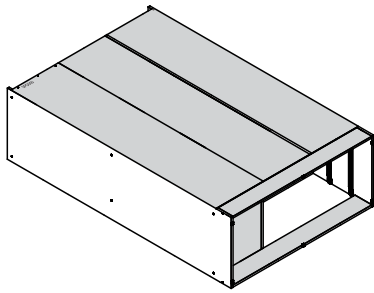
IMPORTANT PLEASE FOLLOW !

Please make sure Part 10/11 isn't overhanging at the sides before you screw fitting B into the plinth.

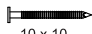



STEP 14

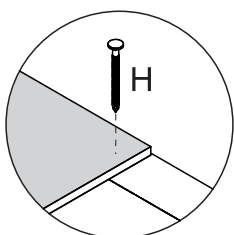
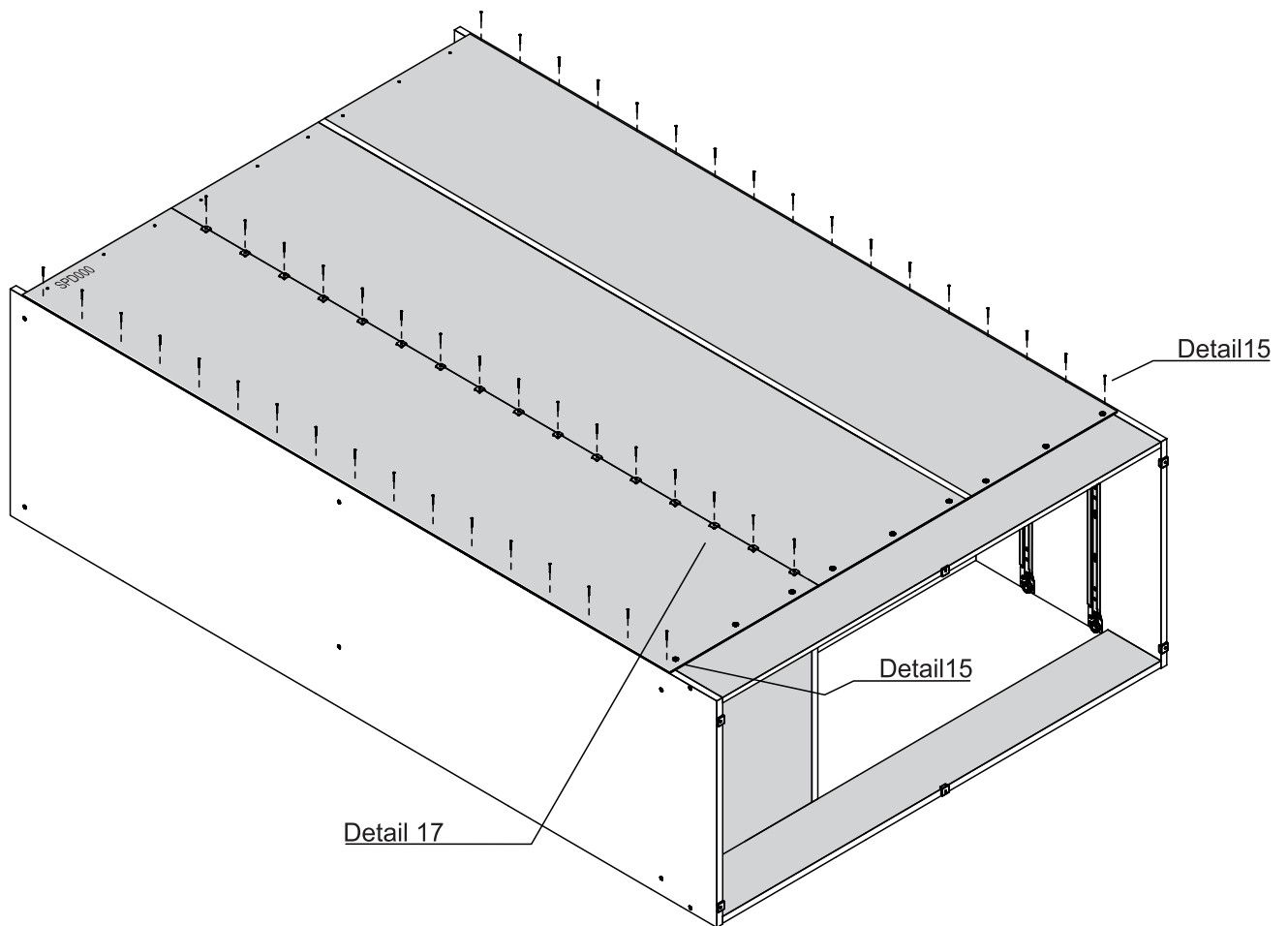
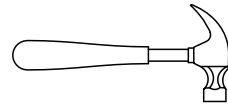
PARTS REQUIRED



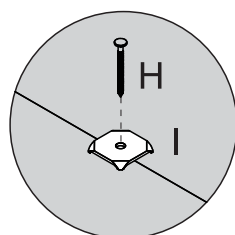
HARDWARE REQUIRED

| | | |
|---|--|----|
| H |  10 x 10 | 50 |
| I |  | 16 |

TOOLS REQUIRED



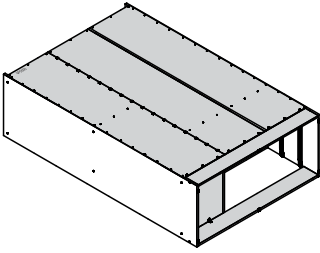
Detail 15



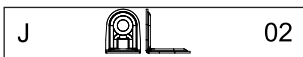
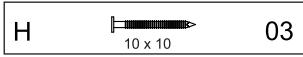
Detail 17

STEP 15

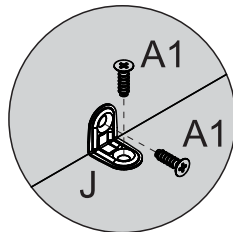
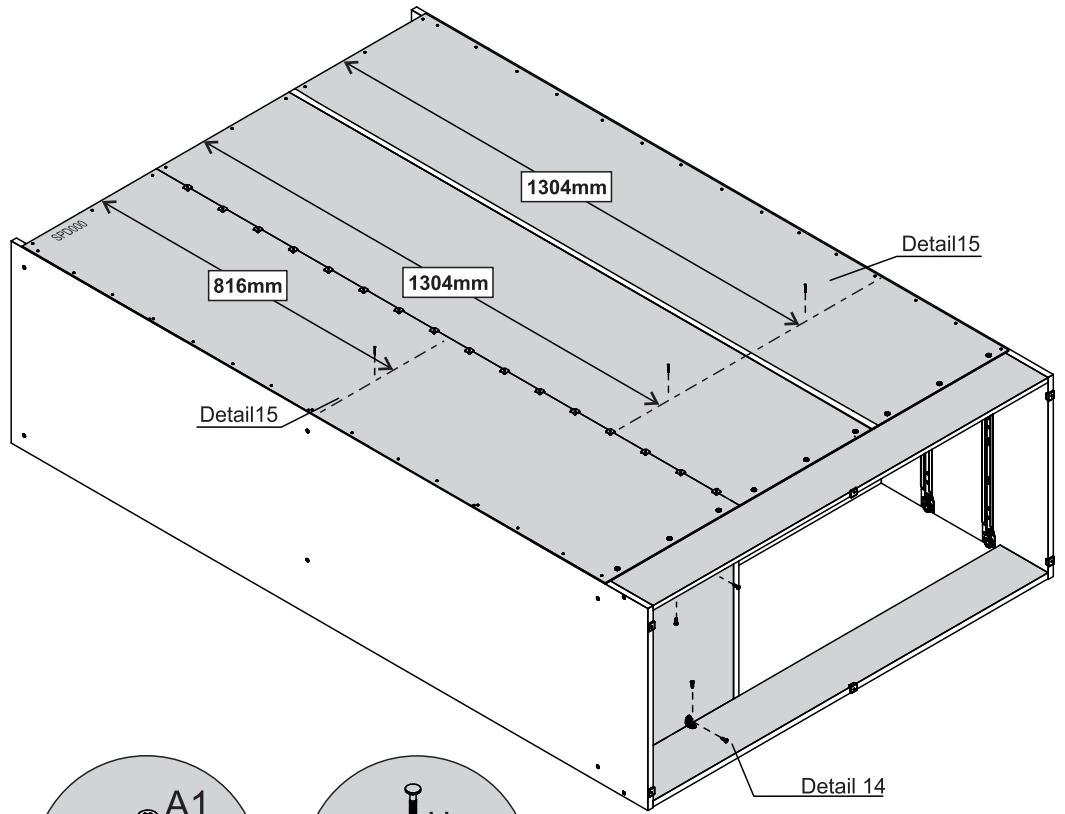
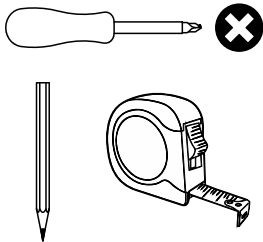
PARTS REQUIRED



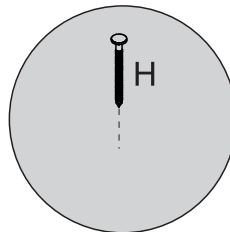
HARDWARE REQUIRED



TOOLS REQUIRED



Detail 14

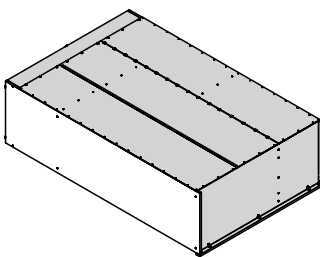


Detail 15

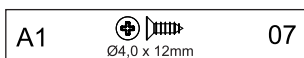
STEP 16

PARTS REQUIRED

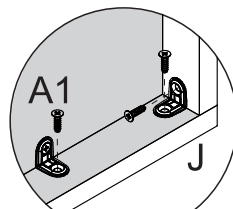
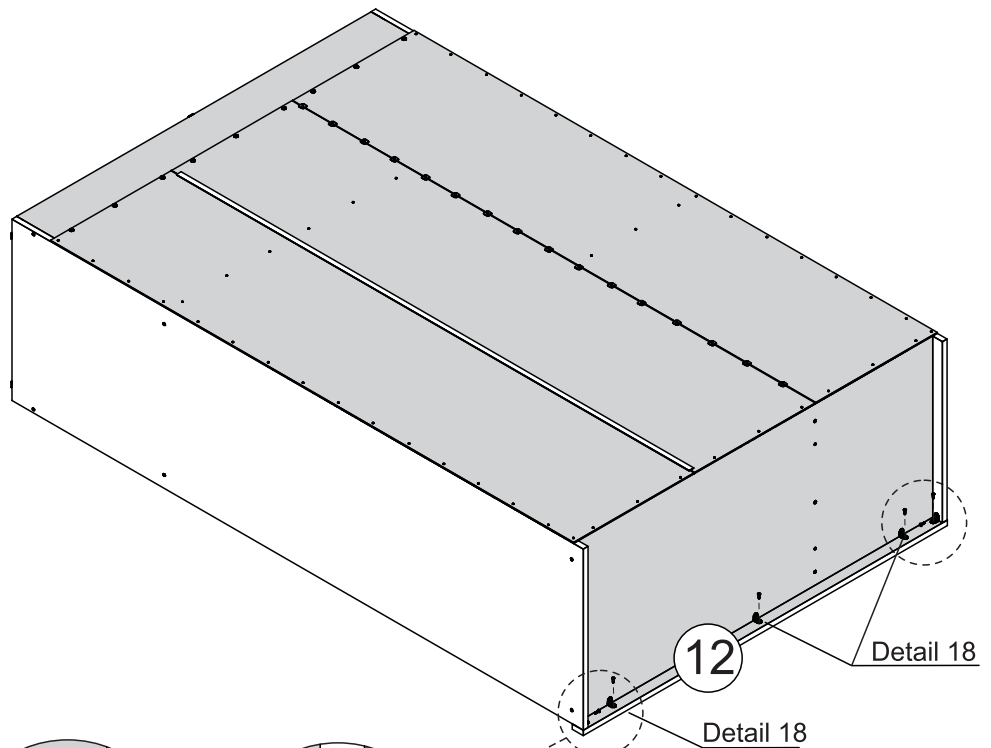
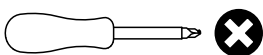
12 - FRAME x1



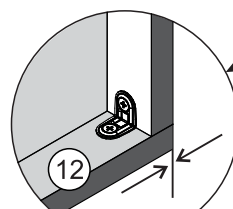
HARDWARE REQUIRED



TOOLS REQUIRED



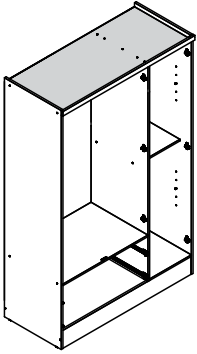
Detail 18





Align corners

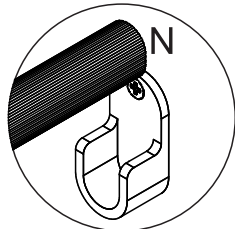
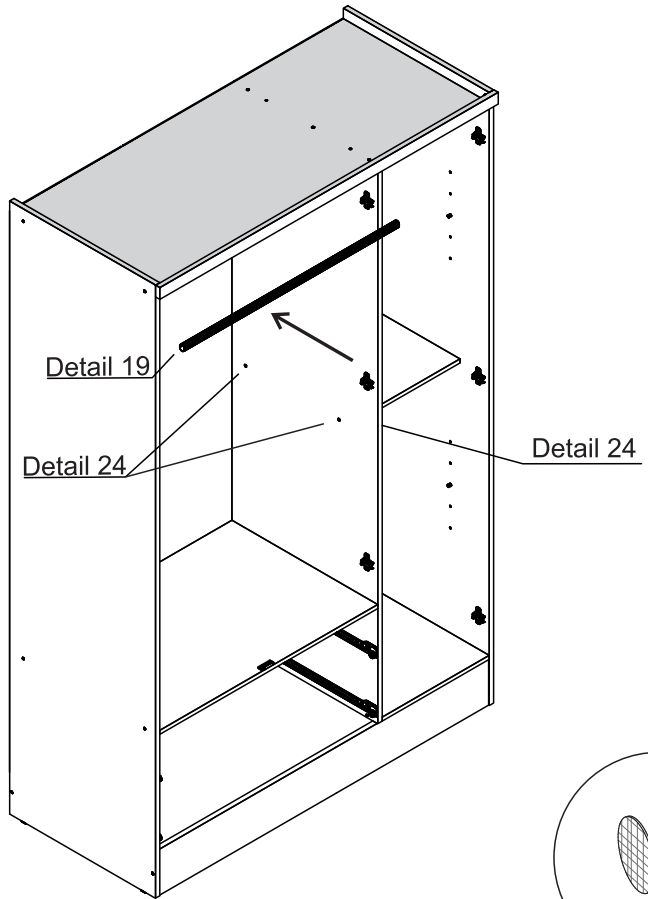
STEP 17

PARTS REQUIRED

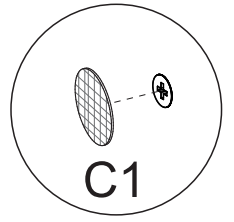


HARDWARE REQUIRED

| | | |
|----|---|----|
| N |  | 01 |
| C1 |  | 04 |



Detail 19




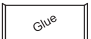
Detail 24

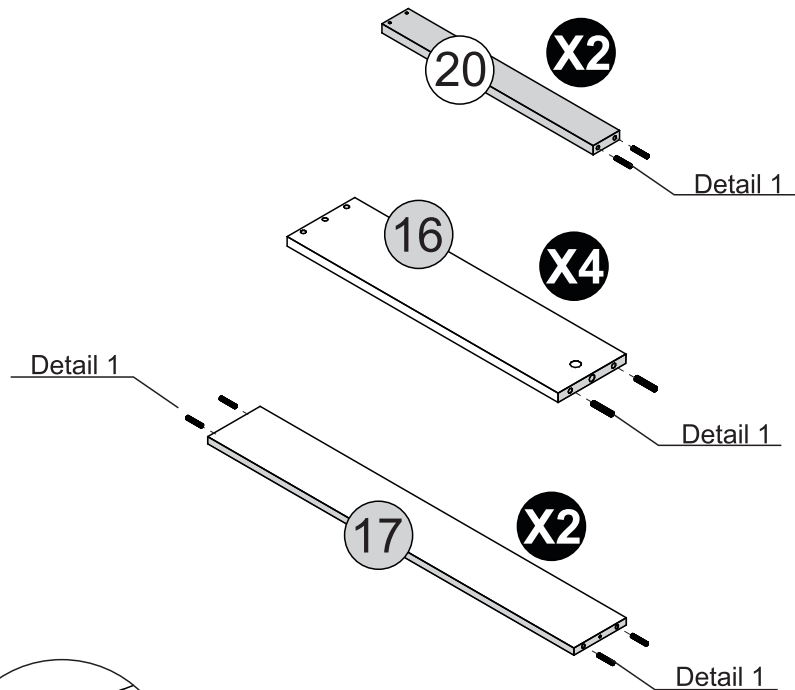
STEP 18

PARTS REQUIRED

| | |
|----------------------------------|----|
| 16 - DRAWER SIDE | x4 |
| 17 - DRAWER BACK PANEL | x2 |
| 20 - DRAWER BOTTOM SUPPORT BARx2 | |

HARDWARE REQUIRED

| | | |
|---|---|----|
| G |  | 20 |
| V |  | 01 |




Detail 1

STEP 19

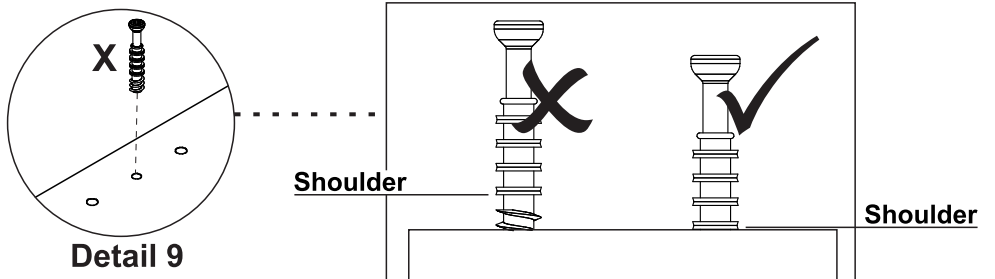
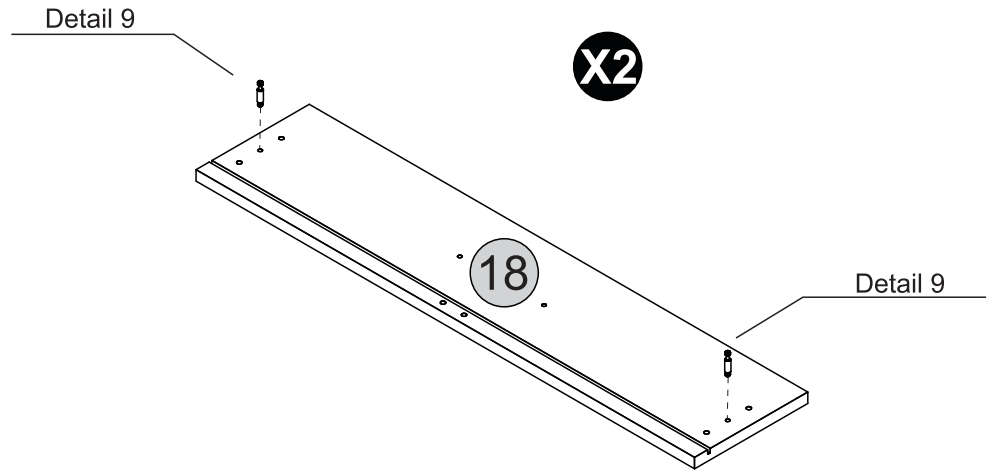
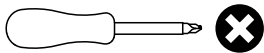
PARTS REQUIRED

18 - DRAWER FRONT x2

HARDWARE REQUIRED

X  04

TOOLS REQUIRED



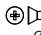
STEP 20

PARTS REQUIRED

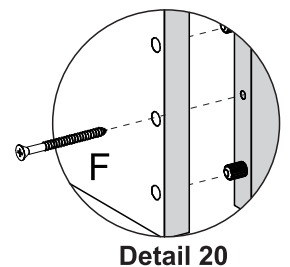
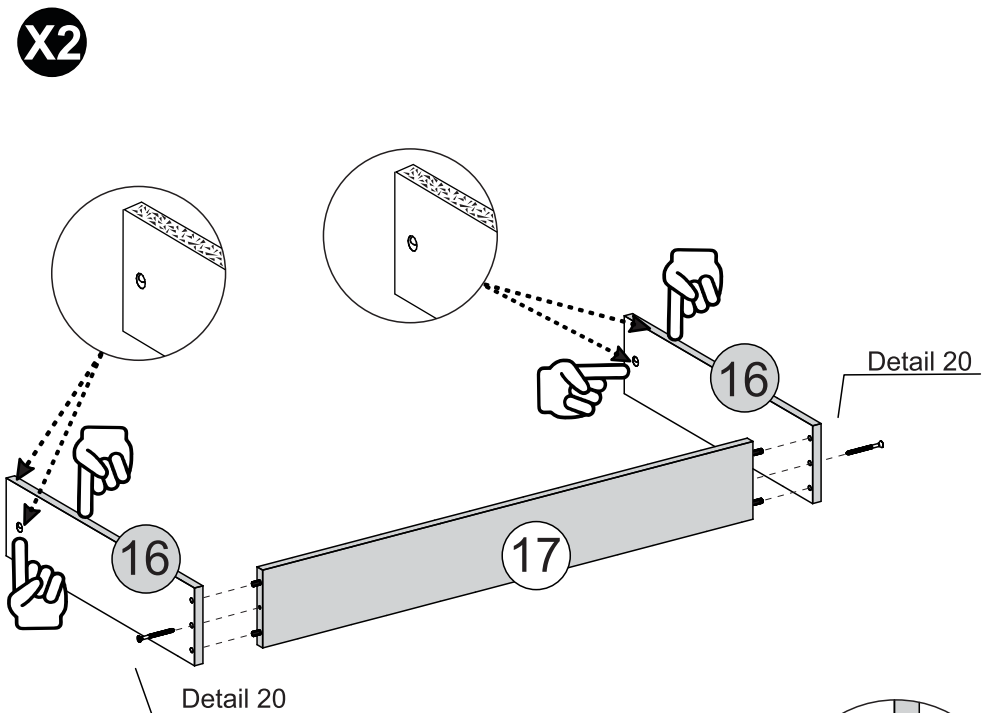
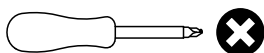
16 - DRAWER SIDE x4

17 - DRAWER BACK PANEL x2

HARDWARE REQUIRED

F  Ø4,0 x 50mm 04

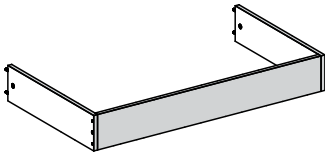
TOOLS REQUIRED



STEP 21

PARTS REQUIRED


18 - DRAWER FRONT x2



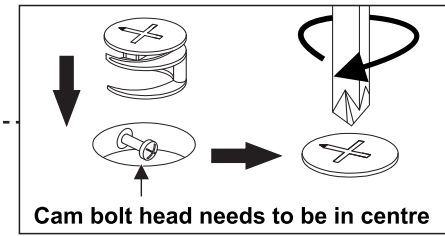
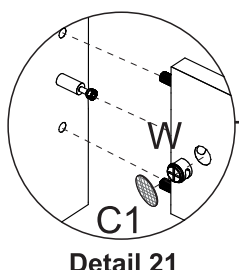
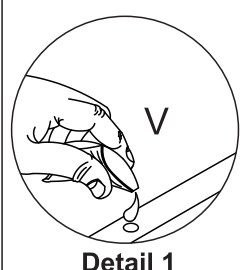
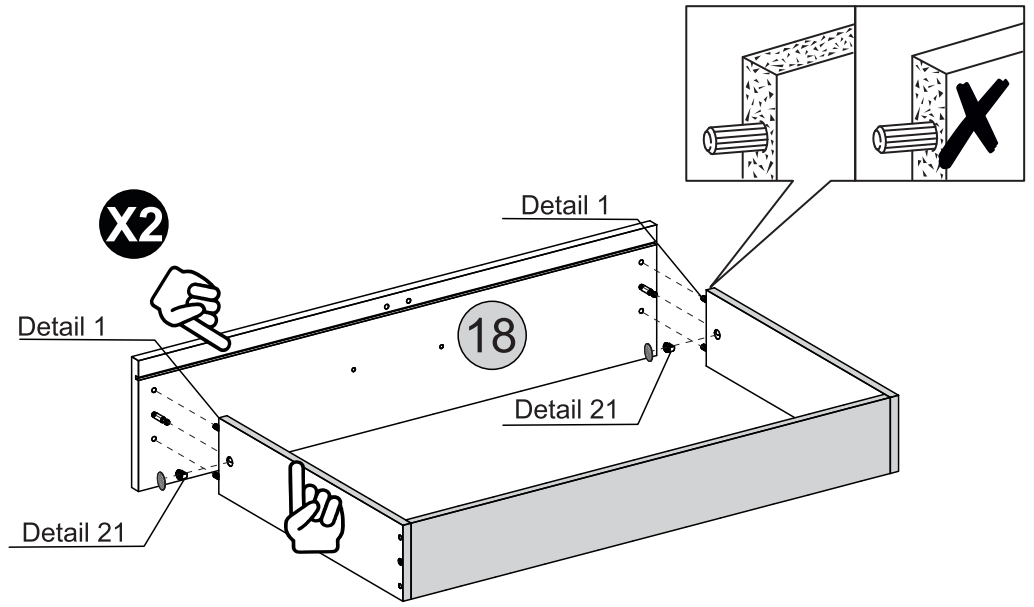
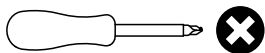
HARDWARE REQUIRED

V  01

W  04

C1  04

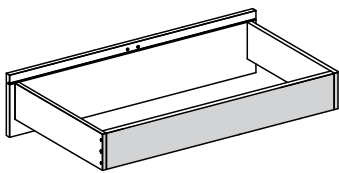
TOOLS REQUIRED



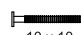
STEP 22

PARTS REQUIRED

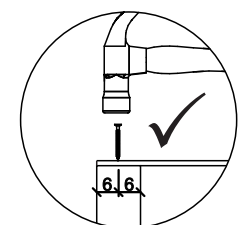
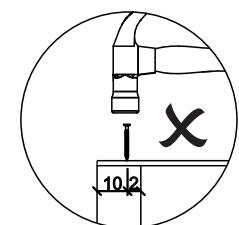
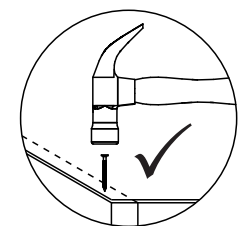
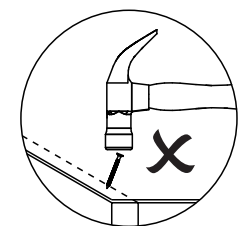
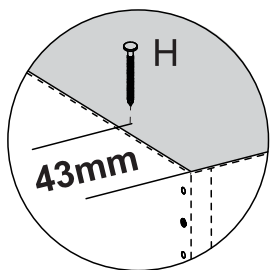
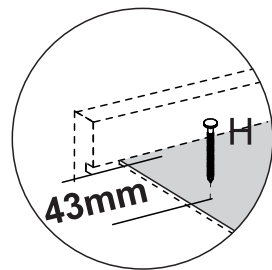
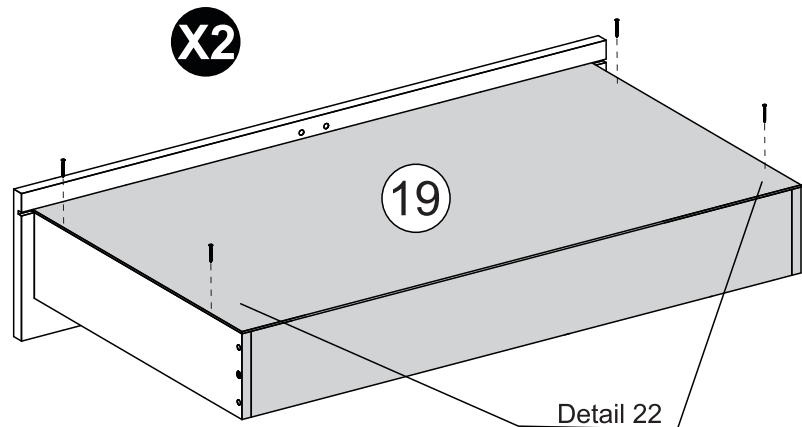
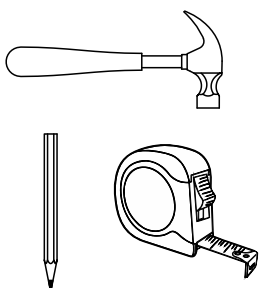
19 - DRAWER BOTTOM x2



HARDWARE REQUIRED

H  10 x 10 08

TOOLS REQUIRED

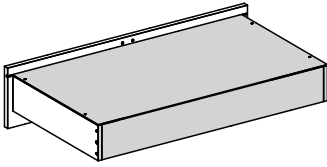


Detail 22

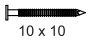
STEP 23


PARTS REQUIRED

20 - DRAWER BOTTOM SUPPORT BAR x2

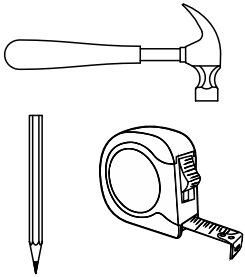


HARDWARE REQUIRED

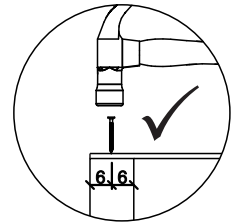
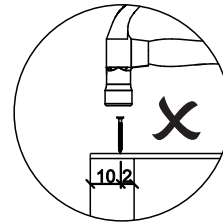
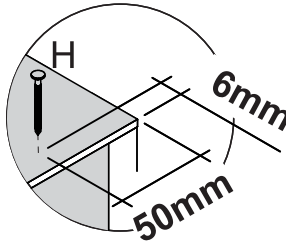
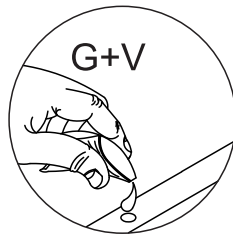
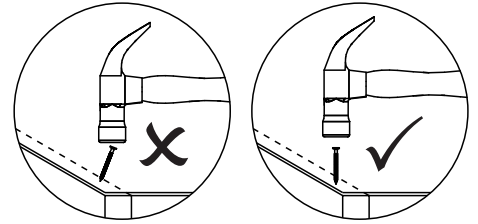
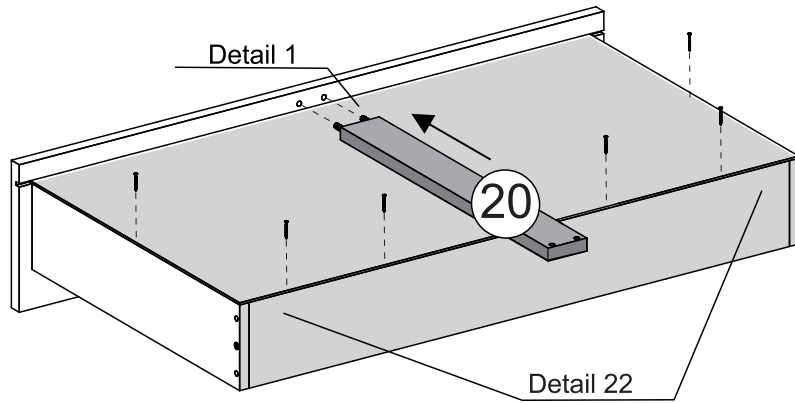
H  12
10 x 10

V  01
Glue

TOOLS REQUIRED



X2

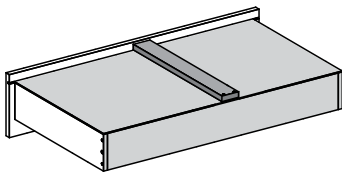


Detail 1

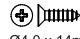
Detail 22

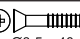
STEP 24

PARTS REQUIRED



HARDWARE REQUIRED

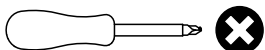
C  08
Ø4,0 x 14mm

E  04
Ø3,5 x 40mm

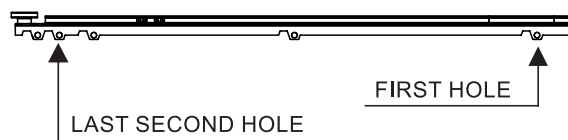
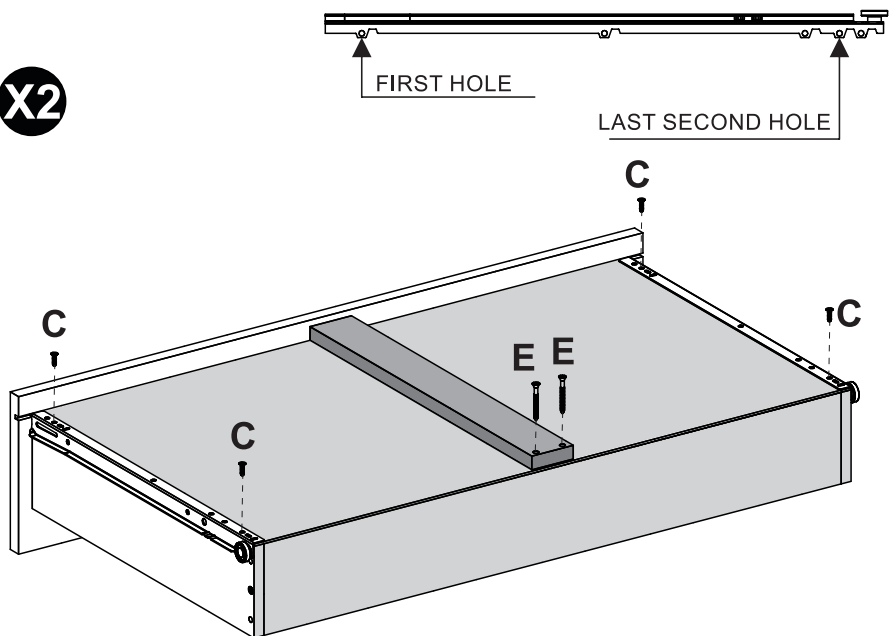
Q  02
LEFT

Q  02
RIGHT

TOOLS REQUIRED



X2



STEP 25

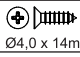
PARTS REQUIRED

13 - LARGE DOOR x1

14 - RIGHT SMALL DOOR x1

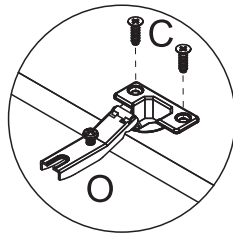
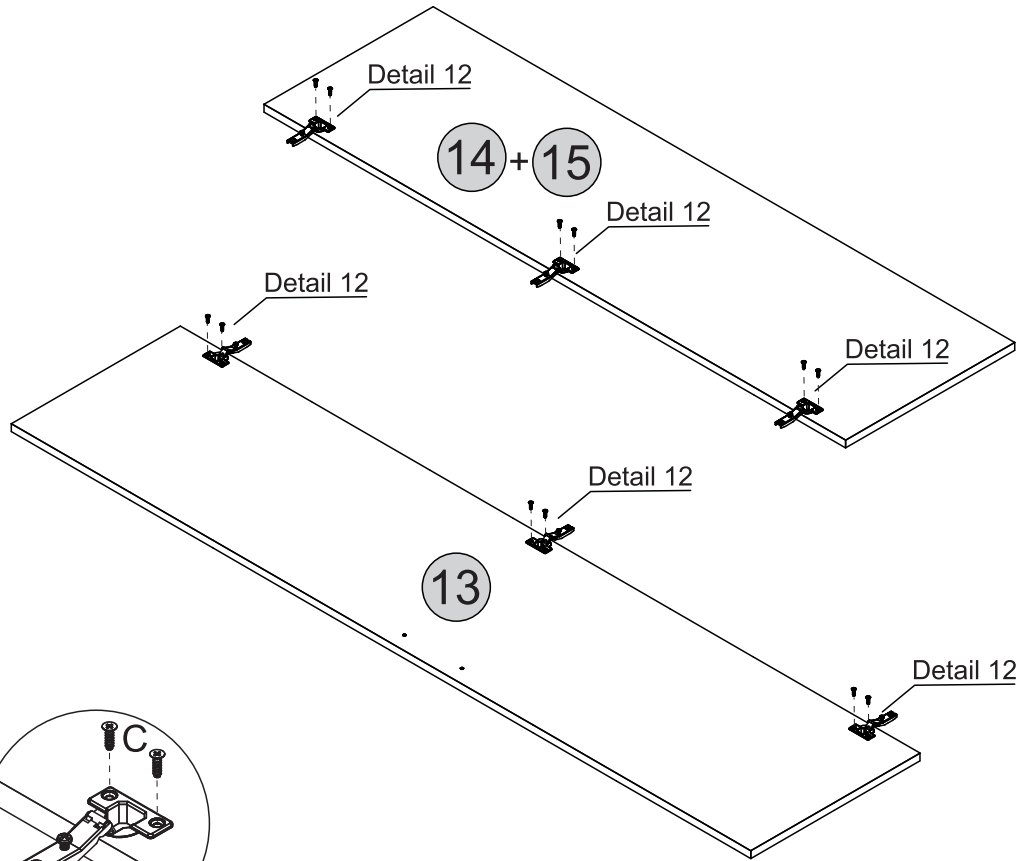
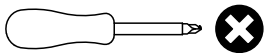
15 - LEFT SMALL DOOR x1

HARDWARE REQUIRED

C  18
Ø4,0 x 14mm

O  09

TOOLS REQUIRED



Detail 12

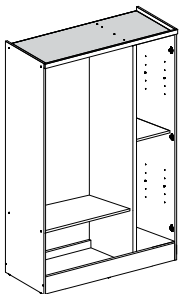
STEP 26

PARTS REQUIRED

13 - LARGE DOOR x1

14 - RIGHT SMALL DOOR x1

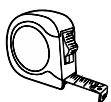
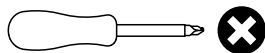
15 - LEFT SMALL DOOR x1



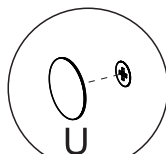
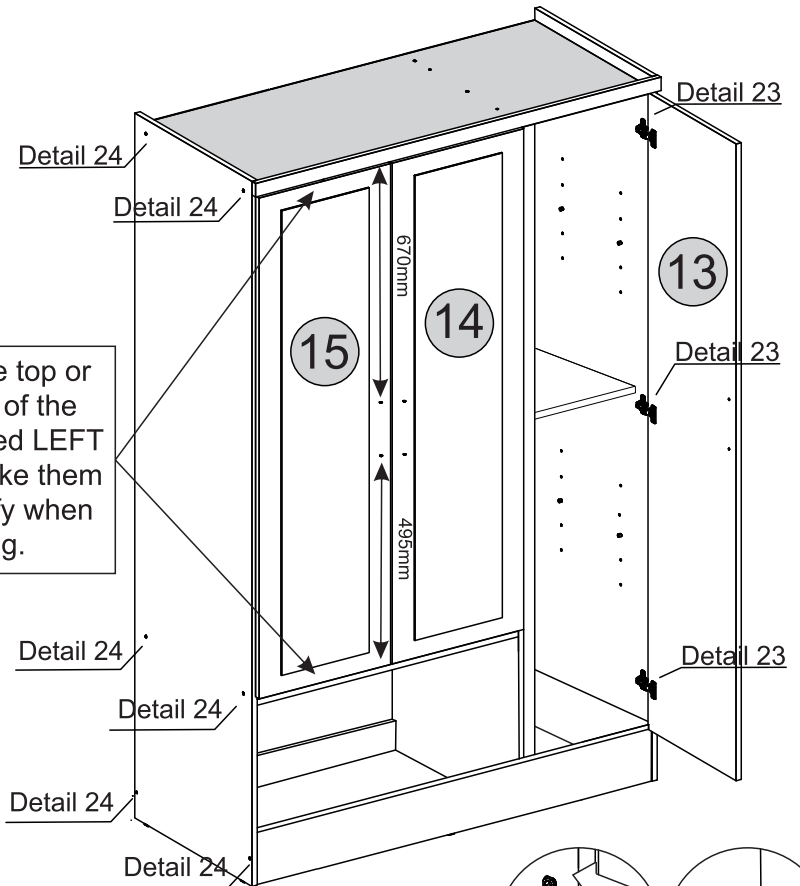
HARDWARE REQUIRED

U  14

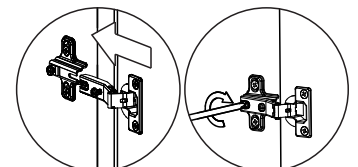
TOOLS REQUIRED



!
Please note the top or bottom edges of the doors are labelled LEFT or RIGHT to make them easier to identify when assembling.



Detail 24

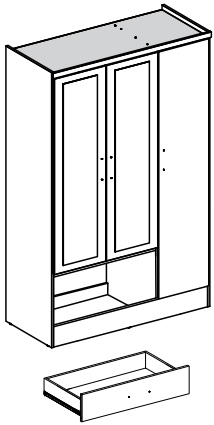


Detail 23


STEP 27

PARTS REQUIRED

21 - MOVEABLE SHELF x2

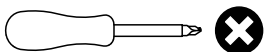


HARDWARE REQUIRED

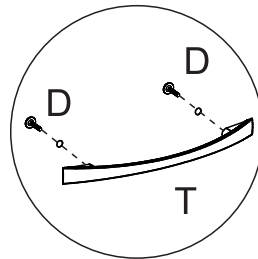
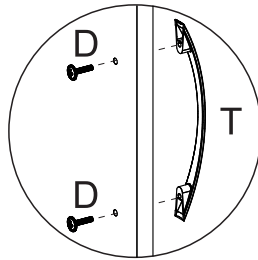
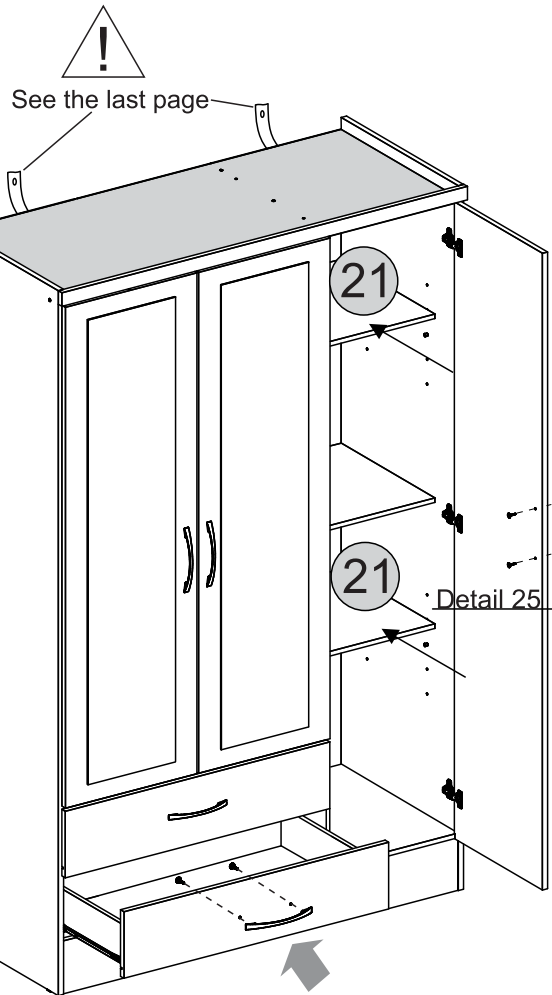
D  10
Ø4,0 x 20mm

T  05

TOOLS REQUIRED



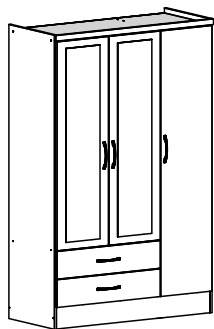
TIP
If desired, after assembly use an alcohol cleaner to erase the number printed on the parts.




Detail 25

STEP 28

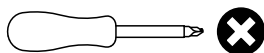
PARTS REQUIRED



HARDWARE REQUIRED

C  04
Ø4,0 x 14mm

TOOLS REQUIRED



Height Adjustment

Internal Adjustment

Depth Adjustment

Drawer Adjustment

Drawer Lock

Detail 26

WARNING

Serious or fatal injuries can occur from furniture tipping over. To prevent the furniture from tipping over we recommend that it is permanently fixed to the wall.

Wall fixings are not supplied with this product as different wall materials require different types of fixing devices.

Please make sure you use fixings suitable for the walls in your home.

