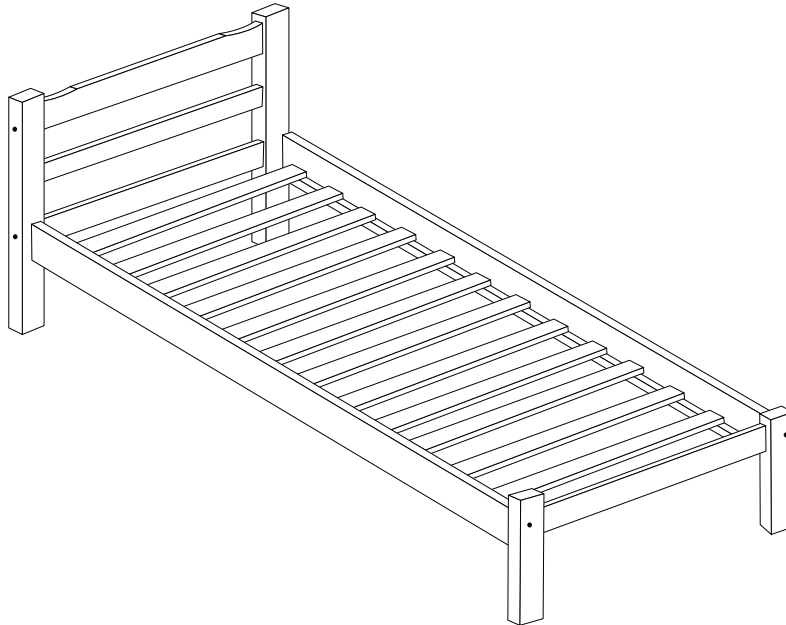
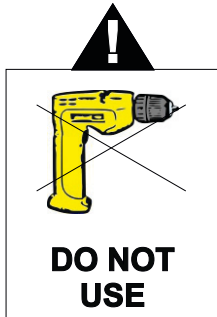


PANAMA 3' BED ASSEMBLY INSTRUCTIONS



FOR DOMESTIC USE ONLY

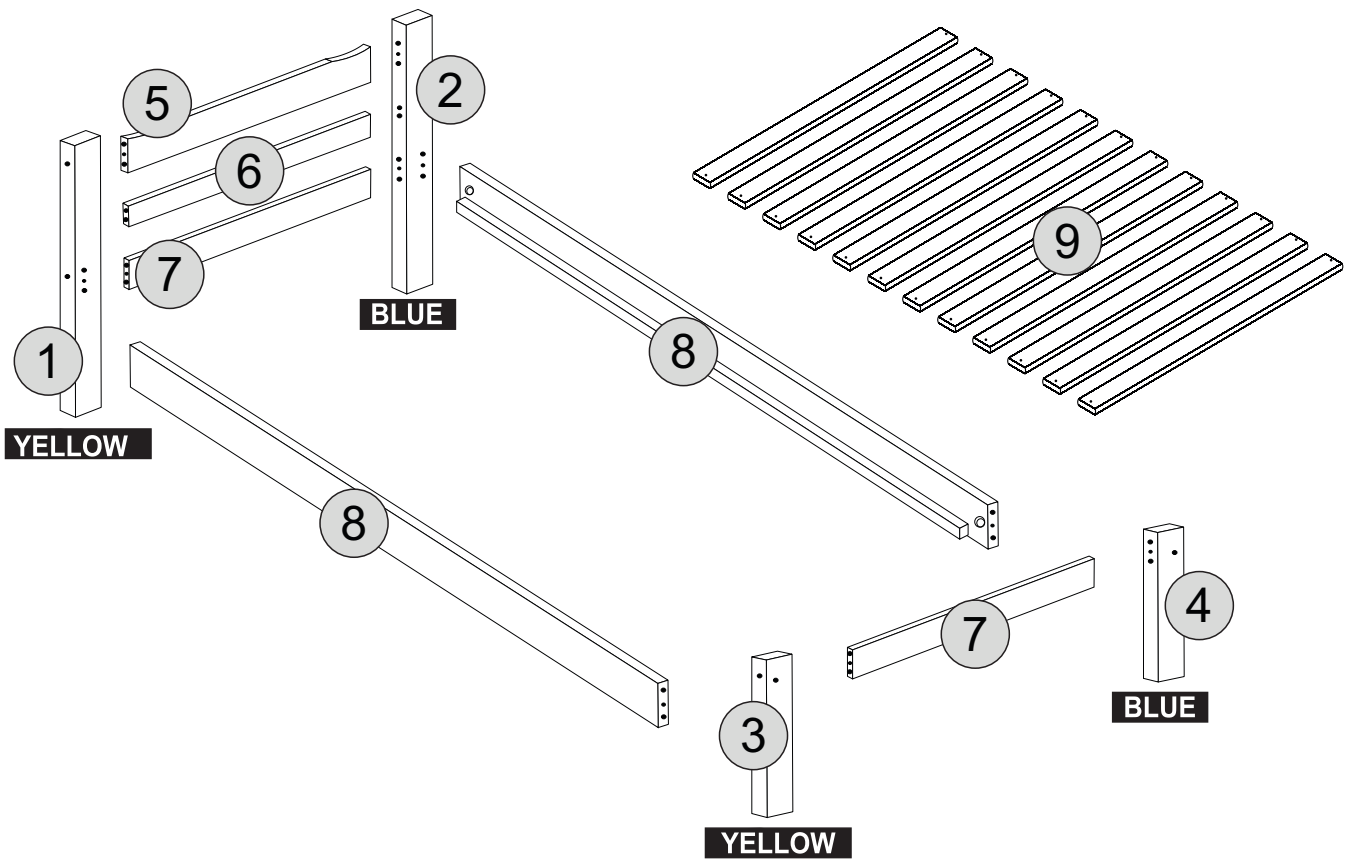
IMPORTANT

PLEASE READ BEFORE YOU CONTINUE FURTHER

CARE AND MAINTENANCE

After unpacking this product please keep the original packaging in case it needs to be returned for any reason.

- Please ensure all fittings and parts are present before commencing with assembly.
- We recommend that you lay a blanket or sheet on the floor to avoid damage to both your floor and the product.
- We strongly recommend that you keep children away from your work area.
- Assemble this product as close to its final position as possible.
- Never drag or push products as this could cause damage to the joints making it inferior.
- Do not place this product next to a radiator or in direct sunlight.
- Wood is a natural product and may expand if subjected to damp and may shrink or crack if subjected to heat. Therefore it is recommended that room temperature is maintained, with no sudden temperature fluctuations.
- Make sure any spillage is wiped off immediately.
- Do not place hot or chilled items directly on to the surface, use a place mat or marking will occur.
- For general cleaning use a duster, and do not use detergents of any kind. However, the surface will need to be retreated from time to time. This can be done by using block wax (unperfumed) and rubbing it over the whole item.
- From time to time it may be necessary to tighten fittings, regular inspections should be carried out.



!
 * Use of power tools to assemble this product will invalidate any claim and damage this product making it unsafe !!!
 * Please assemble on a clean soft surface to avoid damage.

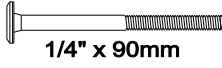
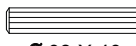

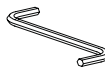

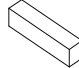


!
 * Please check contents and read the instructions before commencing assembly.
 * Assemble this product following the enclosed instructions carefully.
 * Please take care to avoid damaging panels during assembly.

Please Note:
 The below highlighted parts have been stamped with the part color to help identify them during assembly.

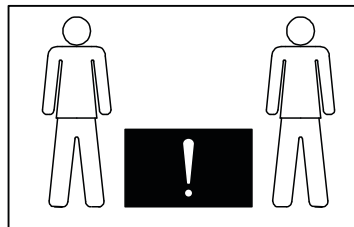
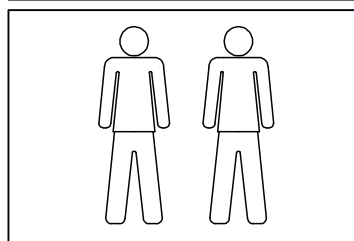
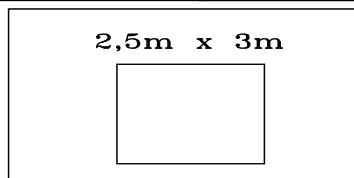
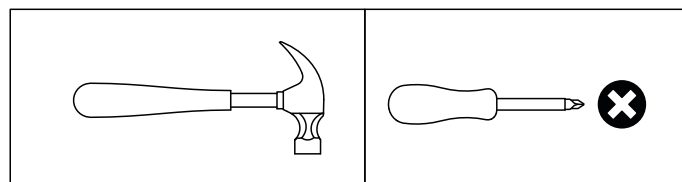
PARTS LIST

Part Number	Part Code	Part Description	Quantity	Carton
1	S200-201-027-LT1-01	Left Headboard Post (Yellow)	1	1/1
2	S200-201-027-LT1-02	Right Headboard Post (Blue)	1	1/1
3	S200-201-027-LT1-03	Left Footboard Post (Yellow)	1	1/1
4	S200-201-027-LT1-04	Right Footboard Post (Blue)	1	1/1
5	S200-201-027-LT1-05	Top Headboard Crossbar	1	1/1
6	S200-201-027-LT1-06	Middle Headboard Crossbar	1	1/1
7	S200-201-027-LT1-07	Bottom Head/Footboard Crossbar	2	1/1
8	S200-201-027-LT1-08	Siderail	2	1/1
9	S200-201-027-LT1-09	Slats	12	1/1

FITTINGS

A	 1/4" x 90mm	04	E	 Ø 08 X 40	16
B	 7 x 100mm	06	F		01
C		04	G	SPACER (WOODEN) 	02
D	 3.5 x 30mm	24	H	 Ø 10 x 50mm	08

TOOLS REQUIRED



STEP 1

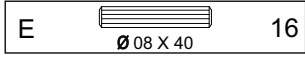
PARTS REQUIRED

5 - TOP HEADBOARD CROSSBAR x1

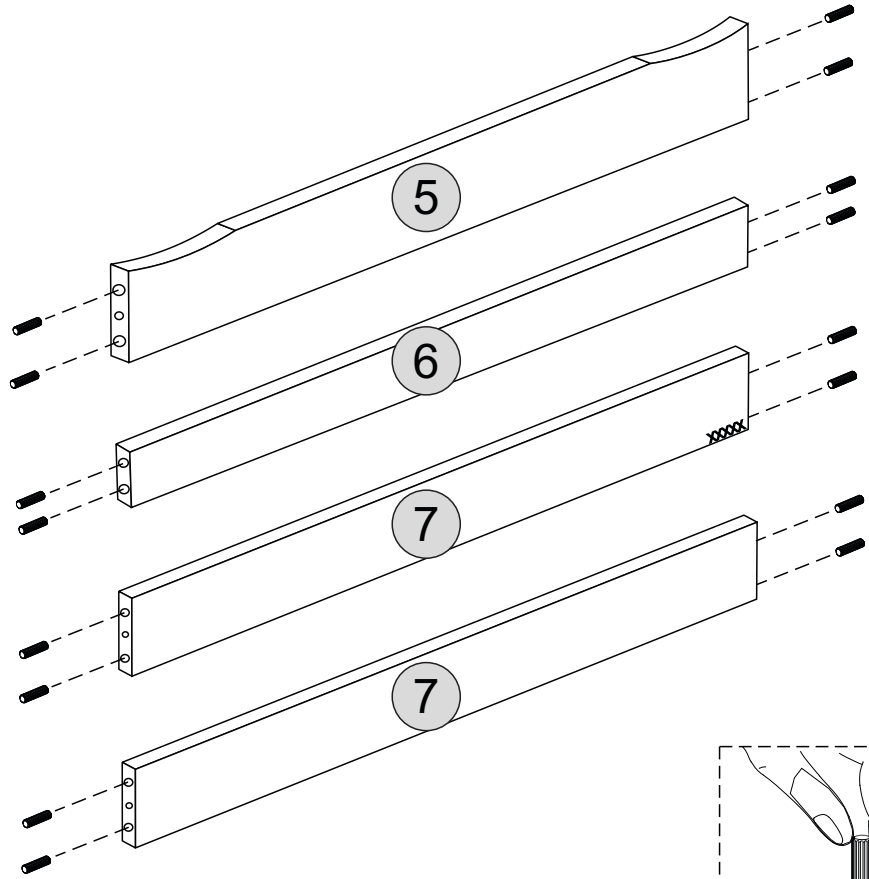
6 - MIDDLE HEADBOARD CROSSBAR x1

7 - BOTTOM HEAD/FOOTBOARD CROSSBAR x2

HARDWARE REQUIRED



TOOLS REQUIRED



STEP 2

PARTS REQUIRED

1 - LEFT HEADBOARD POST(YELLOW)x1

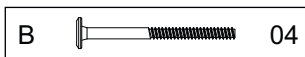
2 - RIGHT HEADBOARD POST(BLUE)x1

5 - TOP HEADBOARD CROSSBAR x1

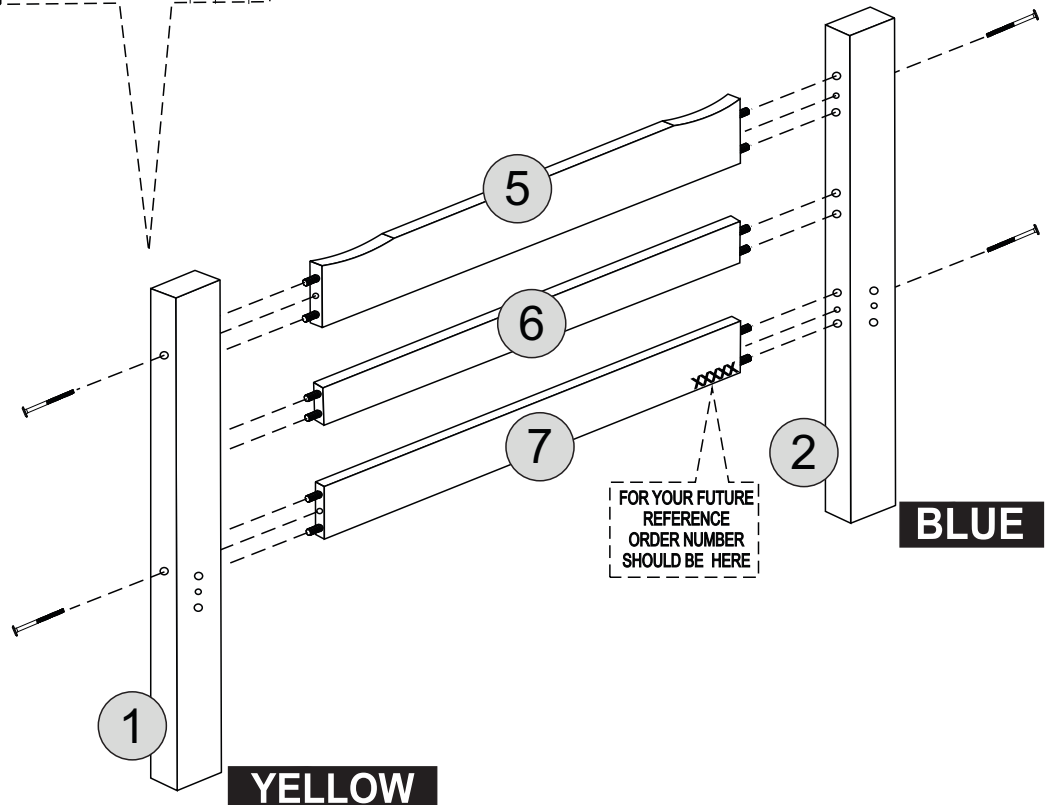
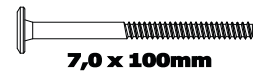
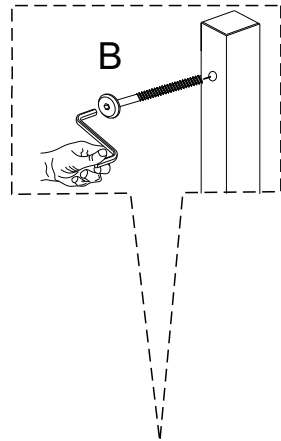
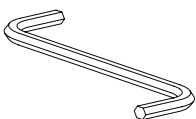
6 - MIDDLE HEADBOARD CROSSBAR x1

7 - BOTTOM HEAD/FOOTBOARD CROSSBAR x1

HARDWARE REQUIRED



TOOLS REQUIRED



STEP 3

PARTS REQUIRED

3 - LEFT FOOTBOARD POST(YELLOW)x1

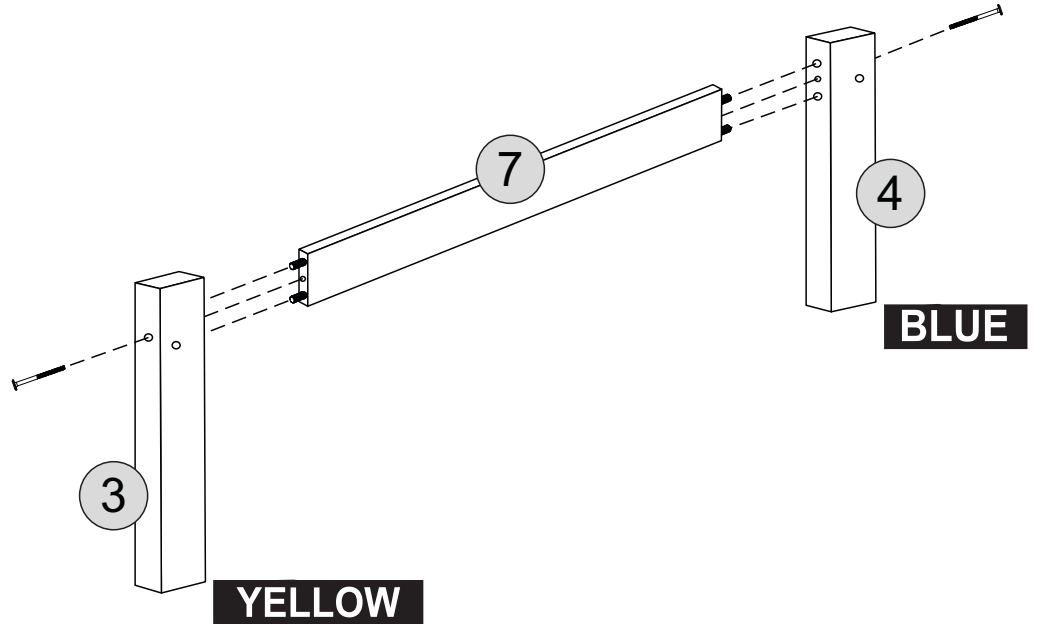
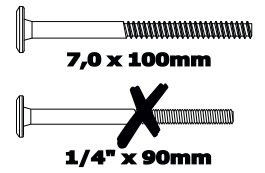
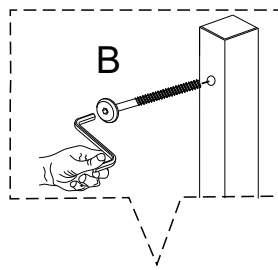
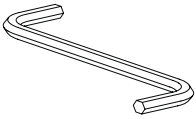
4 - RIGHT FOOTBOARD POST(BLUE x1

7 - BOTTOM HEAD/FOOTBOARD CROSSBAR X1

HARDWARE REQUIRED

B  02

TOOLS REQUIRED

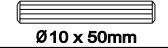


STEP 4

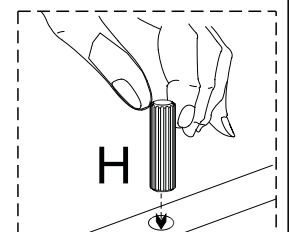
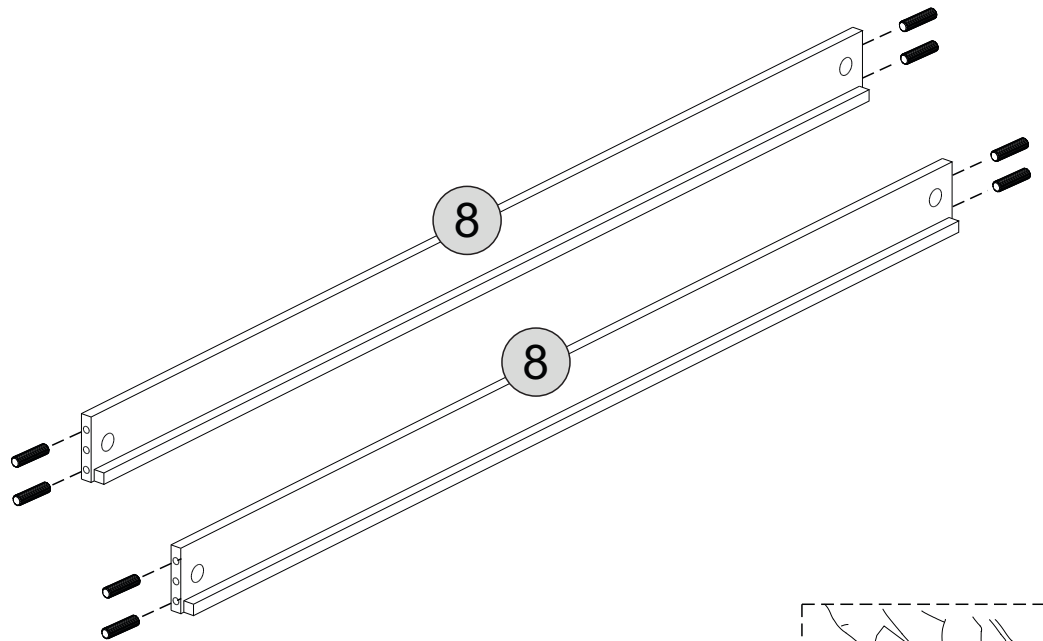
PARTS REQUIRED

8 - SIDERAIL x2

HARDWARE REQUIRED

H  08

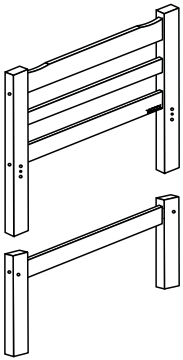
TOOLS REQUIRED



STEP 5

PARTS REQUIRED

8 - SIDERAIL x2

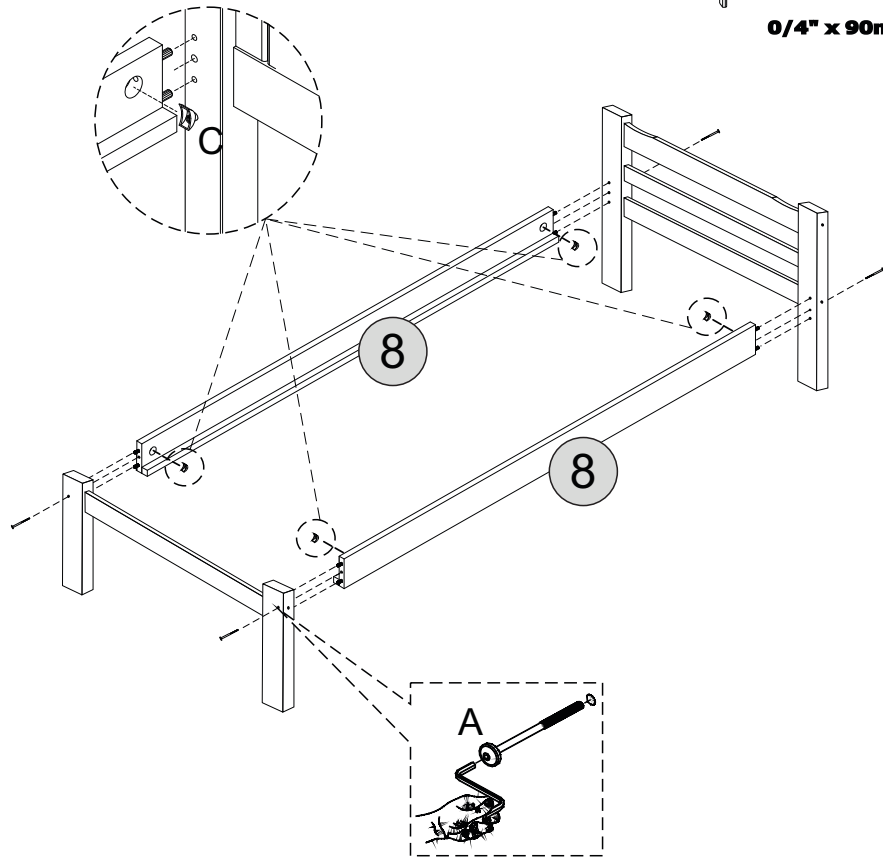
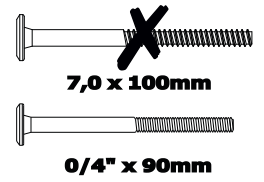
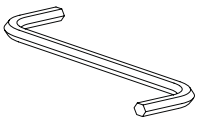


HARDWARE REQUIRED

A  04

C  04

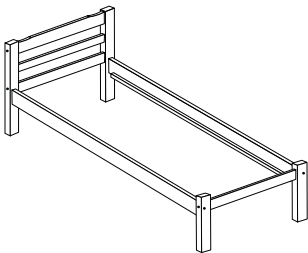
TOOLS REQUIRED




STEP 6

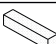
PARTS REQUIRED

9 - SLATS x12

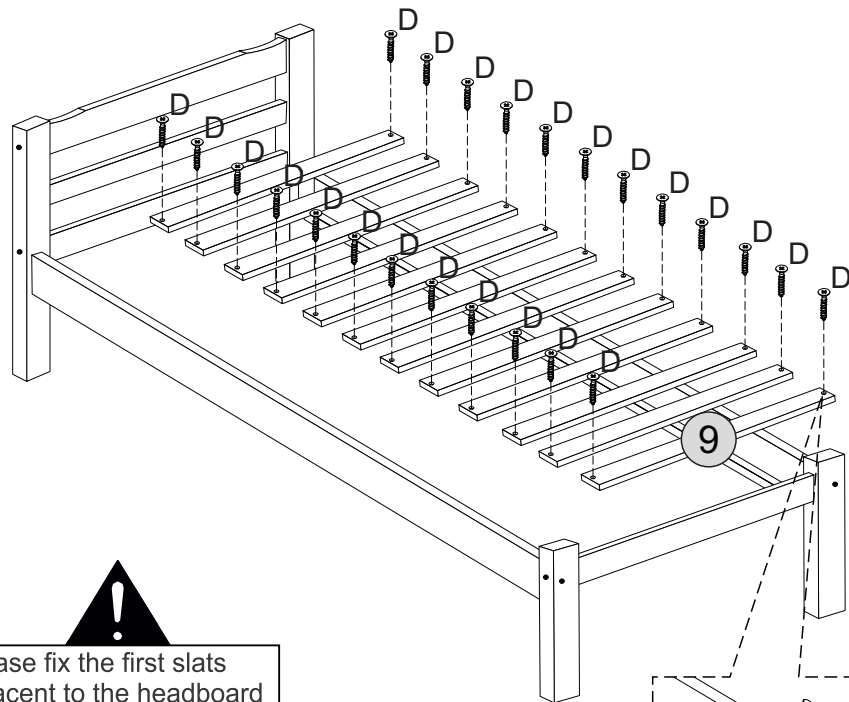
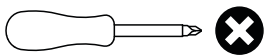



HARDWARE REQUIRED

D  24

G  02

TOOLS REQUIRED



 Please fix the first slats adjacent to the headboard and footboard and work towards the middle of the bed using the spacer (G) as shown to ensure correct spacing. Fix all the slats to one siderail first then push the second siderail tight against the slats and fix.

