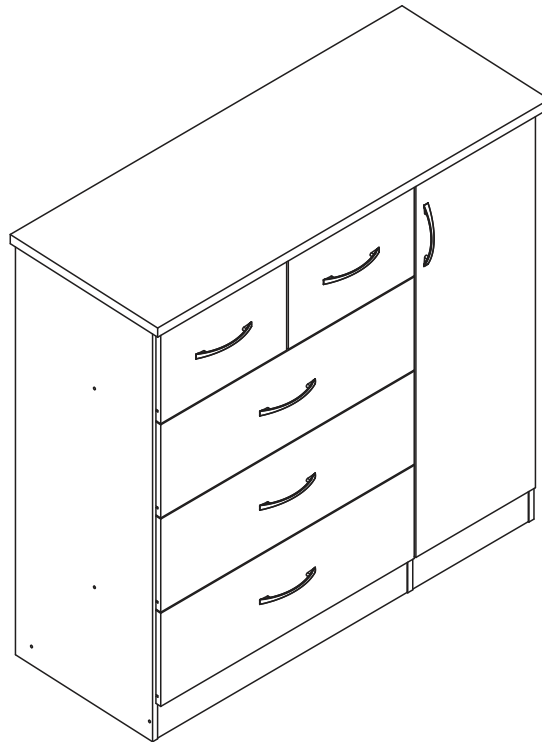


NEVADA 5 DRAWER LOW WARDROBE ASSEMBLY INSTRUCTIONS



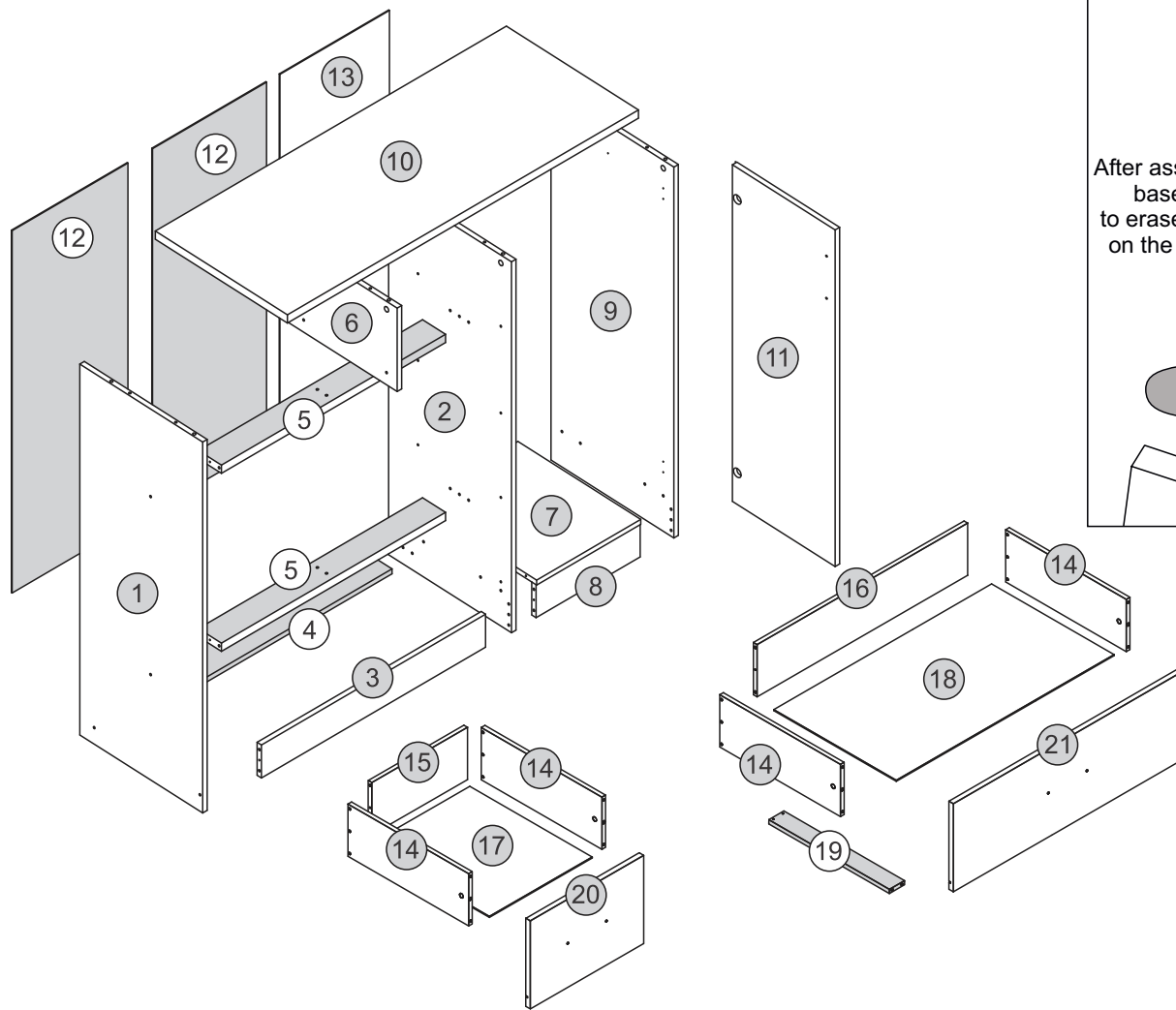
IMPORTANT FOR DOMESTIC USE ONLY

PLEASE READ BEFORE YOU CONTINUE FURTHER

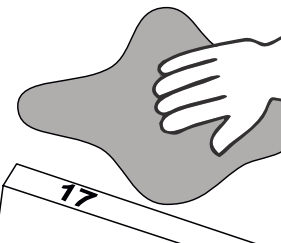
CARE AND MAINTENANCE

After unpacking this product please keep the original packaging in case it needs to be returned for any reason.

- Please ensure all fittings and parts are present before commencing with assembly.
- Never drag or push products as this could cause damage to the joints making it inferior.
- We strongly recommend that you keep children away from your work area.
- We recommend that you lay a blanket or sheet on the floor to avoid damage to both your floor and the product.
- Assemble this product as close to its final position as possible.
- Do not place this product next to a radiator or in direct sunlight.
- Do not drag or push items across your high gloss furniture as this may cause the surface to scratch
- Wood is a natural product and may expand if subjected to damp and may shrink or crack if subjected to heat. Therefore it is recommended that room temperature is maintained, with no sudden temperature fluctuations.
- Make sure any spillage is wiped off immediately.
- Do not place hot or chilled items directly on to the surface, use a place mat or marking will occur.
- For general cleaning use a soft cotton or micro fibre cloth, and do not use detergents of any kind.
- From time to time it may be necessary to tighten fittings, regular inspections should be carried out.
- Do not place on a wet or damp floor as staining may occur to your floor.



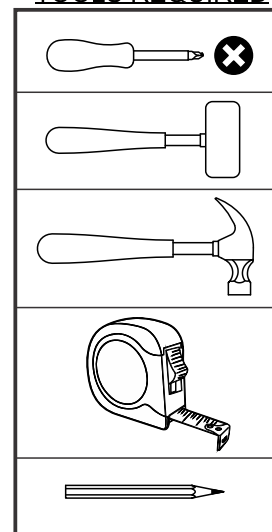
After assembly use an alcohol based product/cleaner to erase the numbers printed on the parts that are visual.



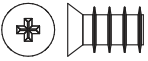

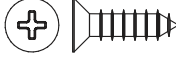
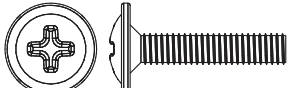

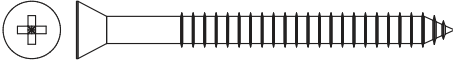
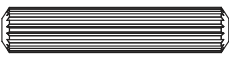

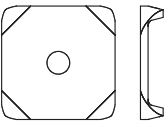
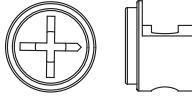
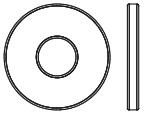
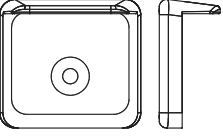

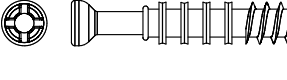


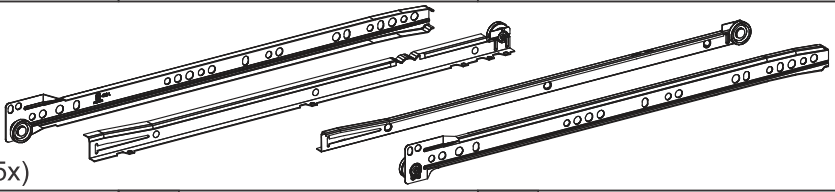
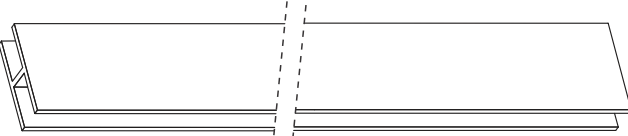


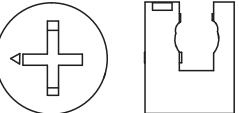
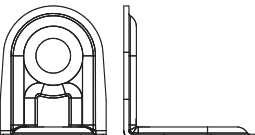
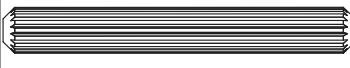
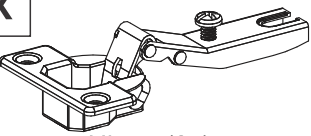
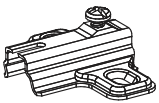
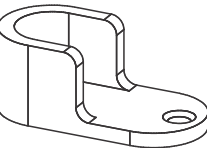
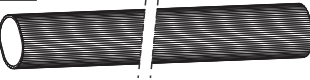
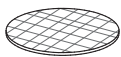
Please Note:
The below parts have all been stamped with the part number to help identify them during assembly.

Part Number	Part Description	Quantity	Carton
01	Left Side Panel	1	1/2
02	Large Division Panel	1	1/2
03	Front Baseboard	1	1/2
04	Back Baseboard	1	1/2
05	Crossbar	2	2/2
06	Drawer Division Panel	1	1/2
07	Base	1	2/2
08	Small Front Baseboard	1	1/2
09	Right Side Panel	1	1/2
10	Top Panel	1	2/2
11	Door	1	2/2
12	Large Back Panel	2	2/2
13	Small Back Panel	1	2/2
14	Drawer Side	10	1/2
15	Small Drawer Back Panel	2	1/2
16	Large Drawer Back Panel	3	1/2
17	Small Drawer Bottom	2	1/2
18	Large Drawer Bottom	3	2/2
19	Drawer Botom Support Bar	3	1/2
20	Small Drawer Front	2	2/2
21	Large Drawer Front	3	2/2

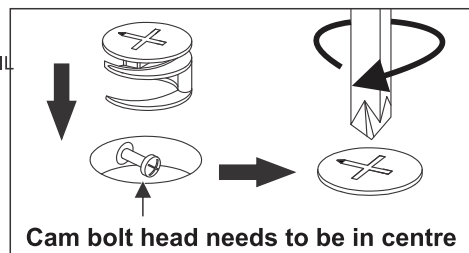
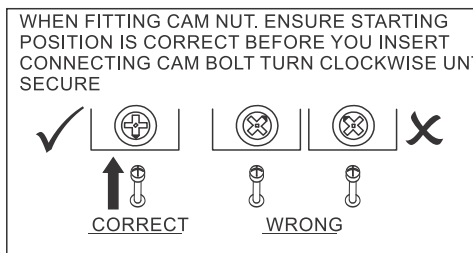
TOOLS REQUIRED



FITTINGS LIST

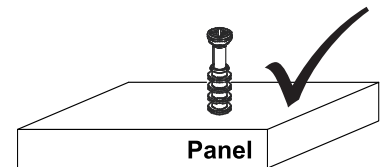
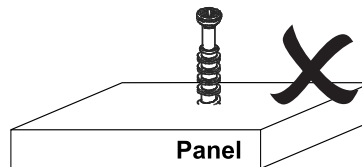
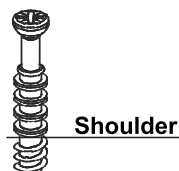
<p>A</p>  <p>Flat Head Screw Ø6,0 x 10mm (16x)</p> <p>+/2</p>	<p>B</p>  <p>Double Flat Head Screw Ø4,0 x 12mm (2x)</p> <p>+/1</p>	<p>C</p>  <p>Flat Head Screw Ø4,0 x 14mm (44x)</p> <p>+/2</p>	<p>D</p>  <p>Flan Head Screw Ø4,0 x 20mm (12x)</p> <p>+/2</p>
<p>E</p>  <p>Flat Head Screw Ø3,5 x 40mm (6x)</p> <p>+/1</p>	<p>F</p>  <p>Flat Head Screw Ø4,0 x 50mm (24x)</p> <p>+/2</p>	<p>G</p>  <p>+/2 Dowel Ø6,0 x 30mm (75x)</p>	
<p>H</p>  <p>+/2 Nail 10 x 10 (104x)</p>	<p>I</p>  <p>+/1 Back Panel Bracket (8x)</p>	<p>J</p>  <p>+/2 Cam Nut Ø12mm (10x)</p>	<p>K</p>  <p>+/1 Washer (4x)</p>
<p>L</p>  <p>+/1 Plastic Foot (9x)</p>	<p>M</p>  <p>+/1 Flan Head Screw Ø3,5 x 30mm (2x)</p>	<p>N</p>  <p>+/2 Cam Bolt (18x)</p>	<p>O</p>  <p>+/2 Hole Plugs (10x)</p>
<p>P</p>  <p>Glue (2x)</p>	<p>Q</p>  <p>Drawer Runners (5x)</p>		
<p>R</p>  <p>Back Panel Strip (1x)</p>	<p>S</p>  <p>Strap (2x)</p>	<p>T</p>  <p>Handle (6x)</p>	
<p>U</p>  <p>+/1 Cam Nut Ø15mm (8x)</p>	<p>V</p>  <p>+/1 'L' Metallic Support (1x)</p>	<p>W</p>  <p>+/1 Dowel Ø6,0 x 50mm (2x)</p>	<p>X</p>  <p>Hinge (2x)</p>
<p>Y</p>  <p>Hinge Plate (2x)</p>	<p>Z</p>  <p>Hanging Rail Support (2x)</p>	<p>A1</p>  <p>Hanging Rail (1x)</p>	<p>B1</p>  <p>+/2 Hole Plugs (18x)</p>

TIPS FOR FITTINGS CAM-LOCKS



CAMBOLT

Tighten until shoulder in flush with panel. Do not overtighten or undertighten (see example beside)



STEP 1


PARTS REQUIRED

4 - BACK BASEBOARD x1

5 - CROSSBAR x2

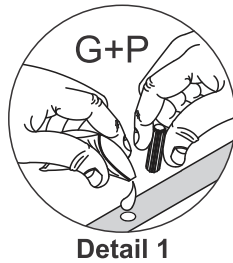
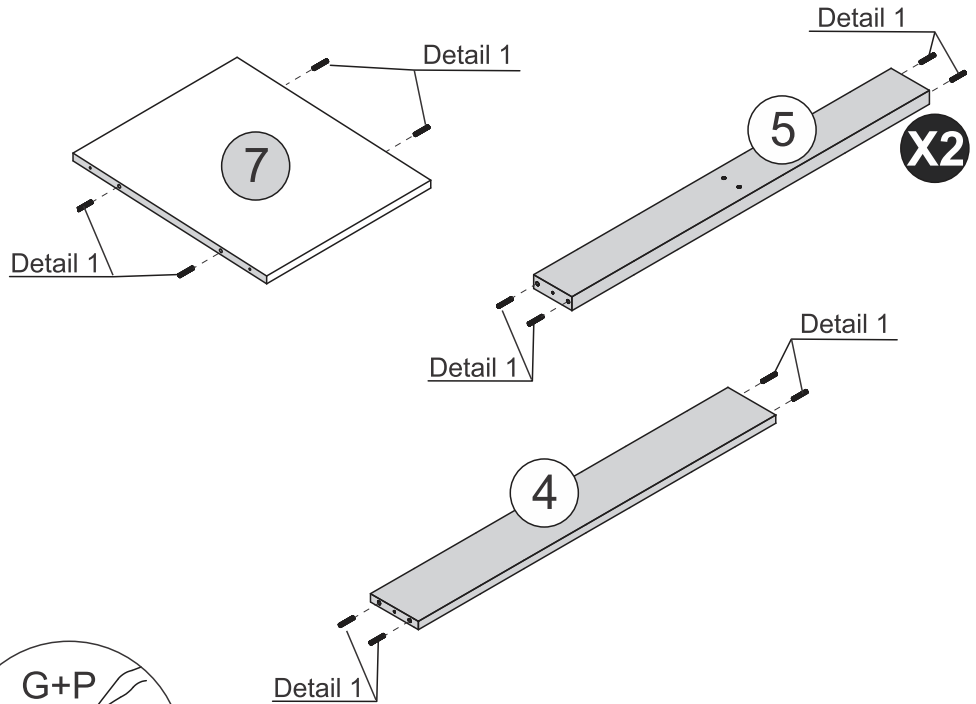
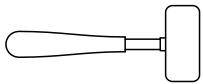
7 - BASE x1

HARDWARE REQUIRED

G  16
Ø6,0 x 30mm

P  01

TOOLS REQUIRED




STEP 2

PARTS REQUIRED

3 - FRONT BASEBOARD x1

8 - SMALL FRONT BASEBOARD x1

HARDWARE REQUIRED

G  04
Ø6,0 x 30mm

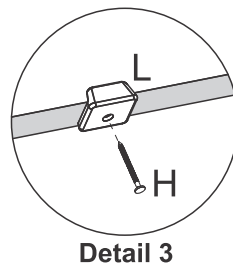
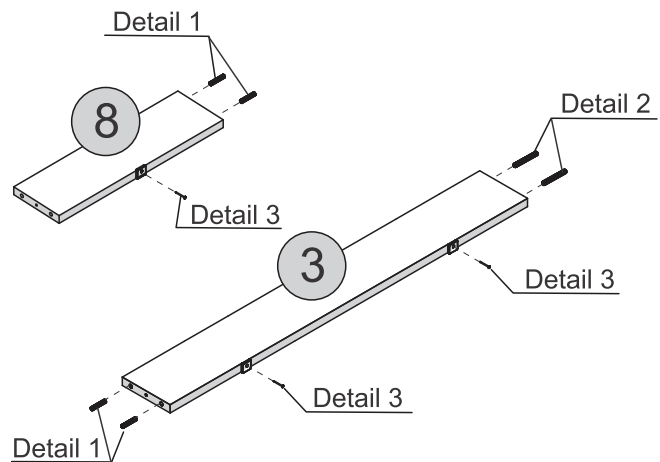
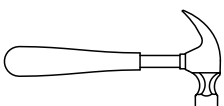
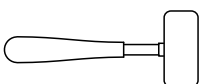
H  03

L  03

W  02
Ø6,0 x 50mm

P  01

TOOLS REQUIRED



STEP 3

PARTS REQUIRED

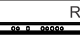
2 - LARGE DIVISION PANEL x1

HARDWARE REQUIRED

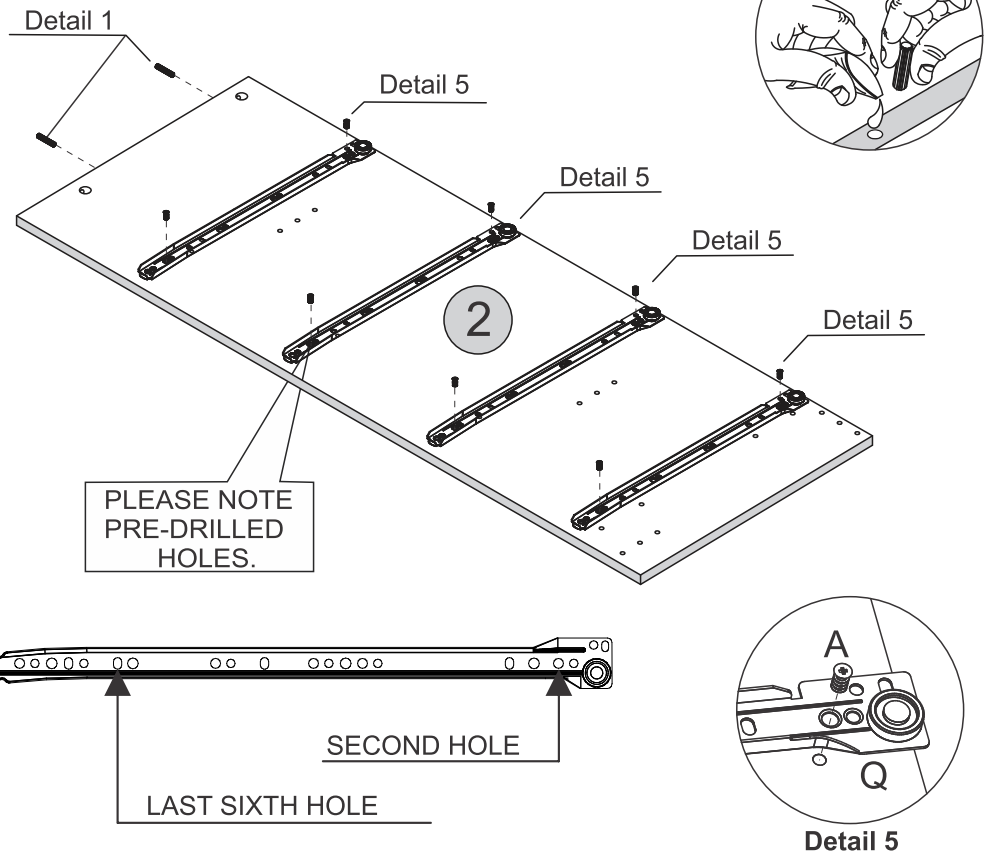
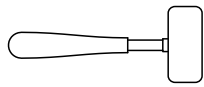
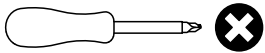
A  08
Ø6,0 x 10mm

G  02
Ø6,0 x 30mm

P  01

Q  04
Right

TOOLS REQUIRED

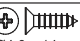


STEP 4

PARTS REQUIRED

2 - LARGE DIVISION PANEL x1

HARDWARE REQUIRED

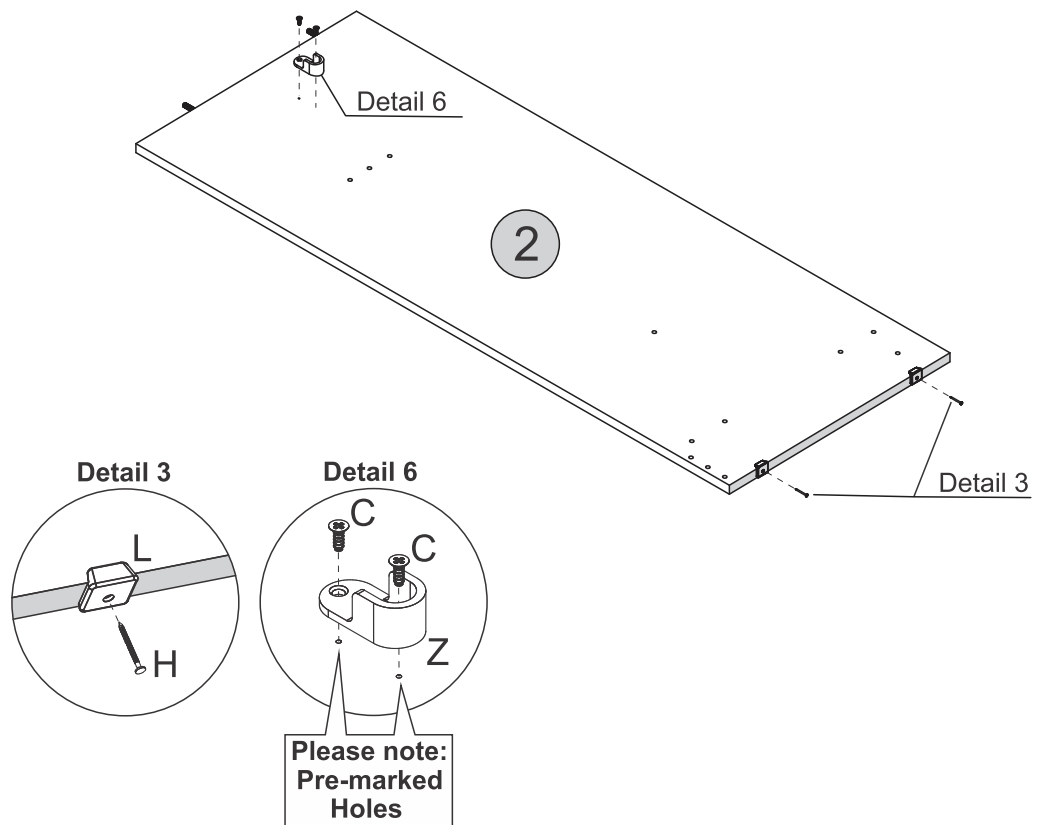
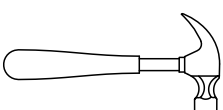
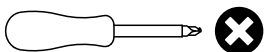
C  02
Ø4,0 x 14mm

H  02

L  02

Z  01

TOOLS REQUIRED



STEP 5

PARTS REQUIRED

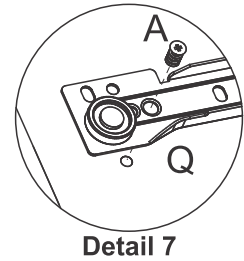
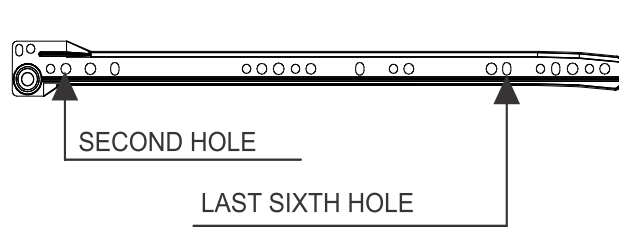
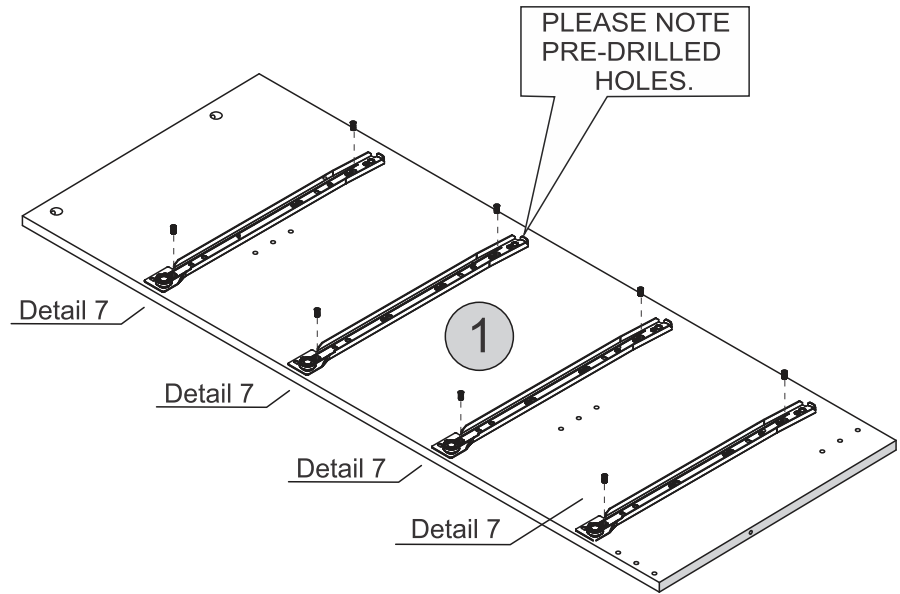
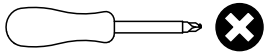
1 - LEFT SIDE PANEL x1

HARDWARE REQUIRED

A  08
Ø6,0 x 10mm

Q  04
Left

TOOLS REQUIRED



STEP 6

PARTS REQUIRED

1 - LEFT SIDE PANEL x1

HARDWARE REQUIRED

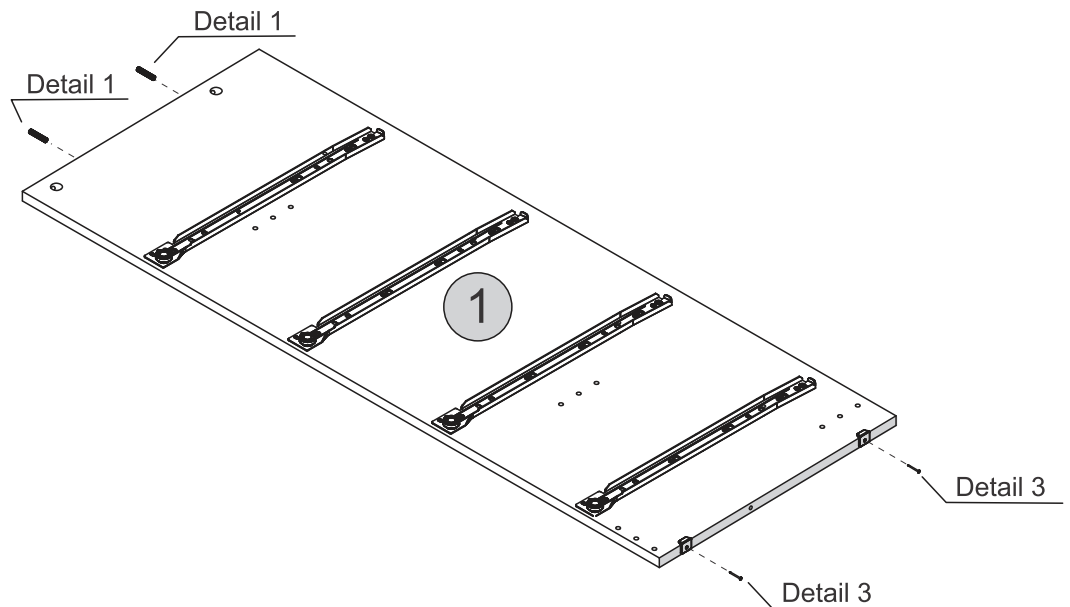
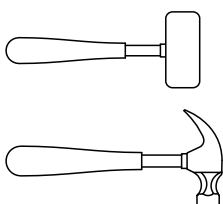
G  02
Ø6,0 x 30mm

H  02

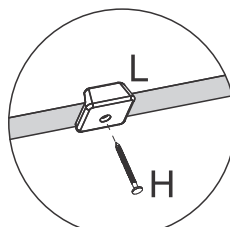
L  02

P  01
Glue

TOOLS REQUIRED



Detail 1



Detail 3


STEP 7

PARTS REQUIRED

6 - DRAWER DIVISION PANEL x1

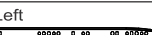
HARDWARE REQUIRED

B  02

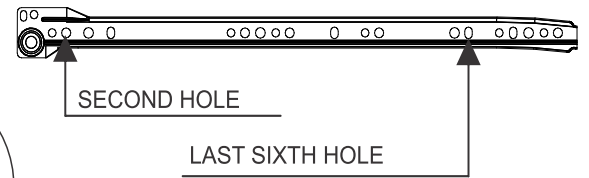
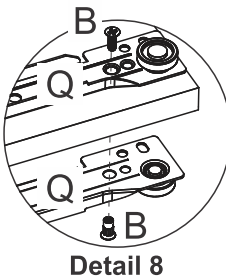
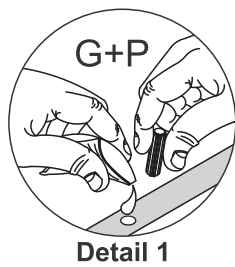
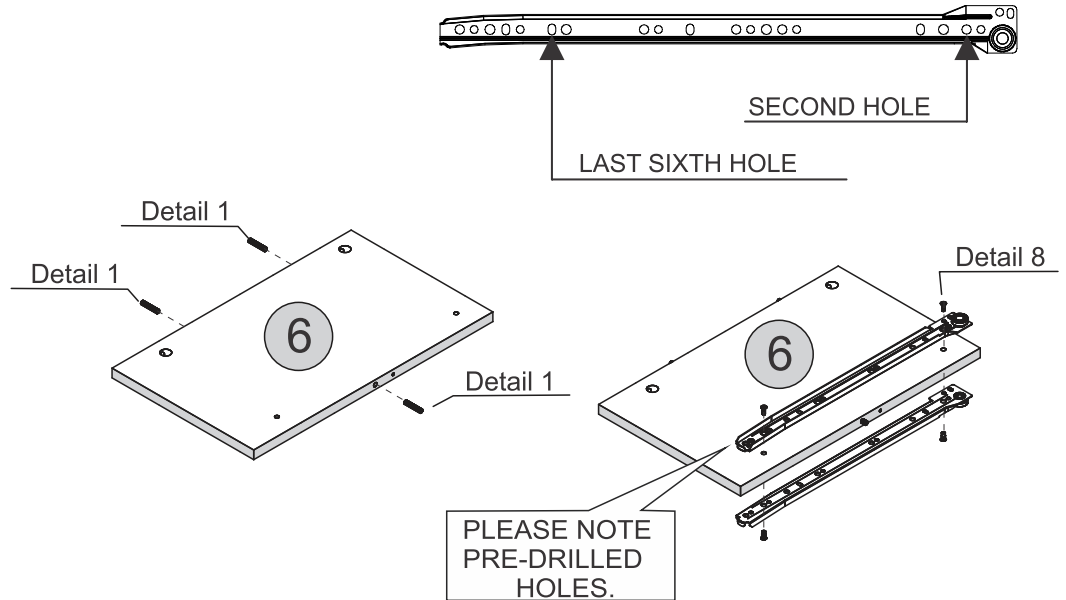
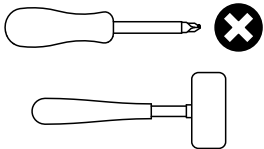
G  03
Ø6,0 x 30mm

P  01

Q  Right 01

Q  Left 01

TOOLS REQUIRED





STEP 8

PARTS REQUIRED

9 - RIGHT SIDE PANEL x1

HARDWARE REQUIRED

C  06
Ø4,0 x 14mm

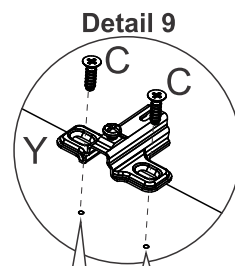
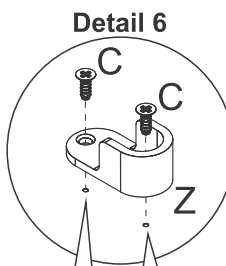
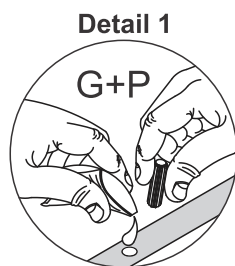
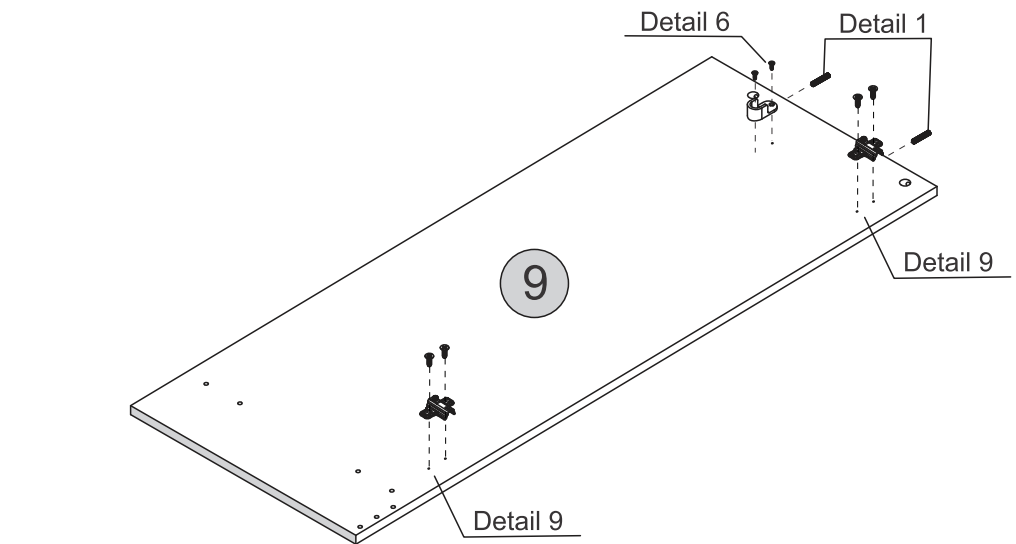
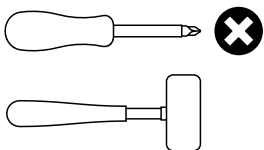
G  02
Ø6,0 x 30mm

P  01

Y  02

Z  01

TOOLS REQUIRED



Please note:
Pre-marked
Holes

Please note:
Pre-marked
Holes

STEP 9

PARTS REQUIRED

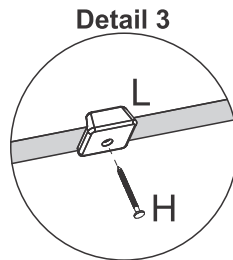
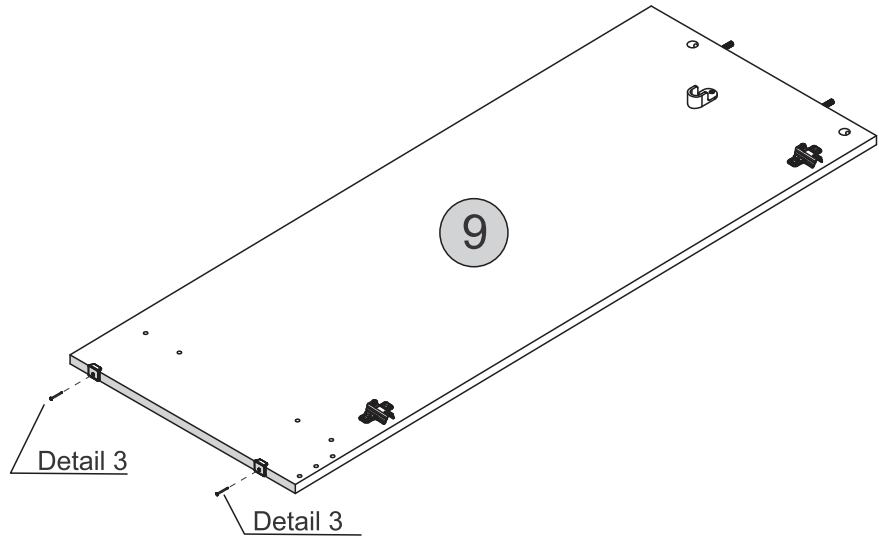
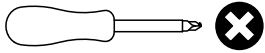
9 - RIGHT SIDE PANEL x1

HARDWARE REQUIRED

H  02

L  02

TOOLS REQUIRED

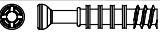


STEP 10

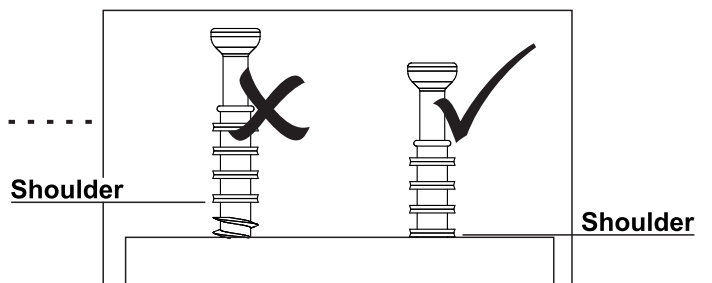
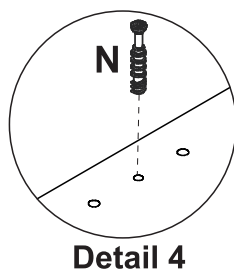
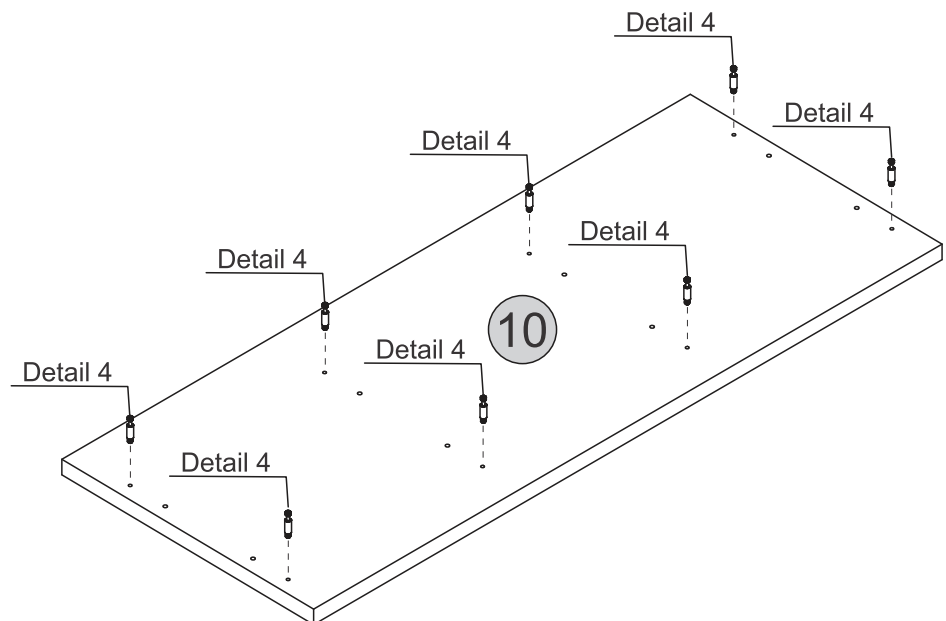
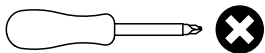
PARTS REQUIRED

10 - TOP PANEL x1

HARDWARE REQUIRED

N  08

TOOLS REQUIRED





STEP 11

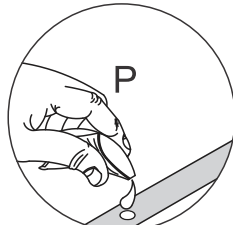
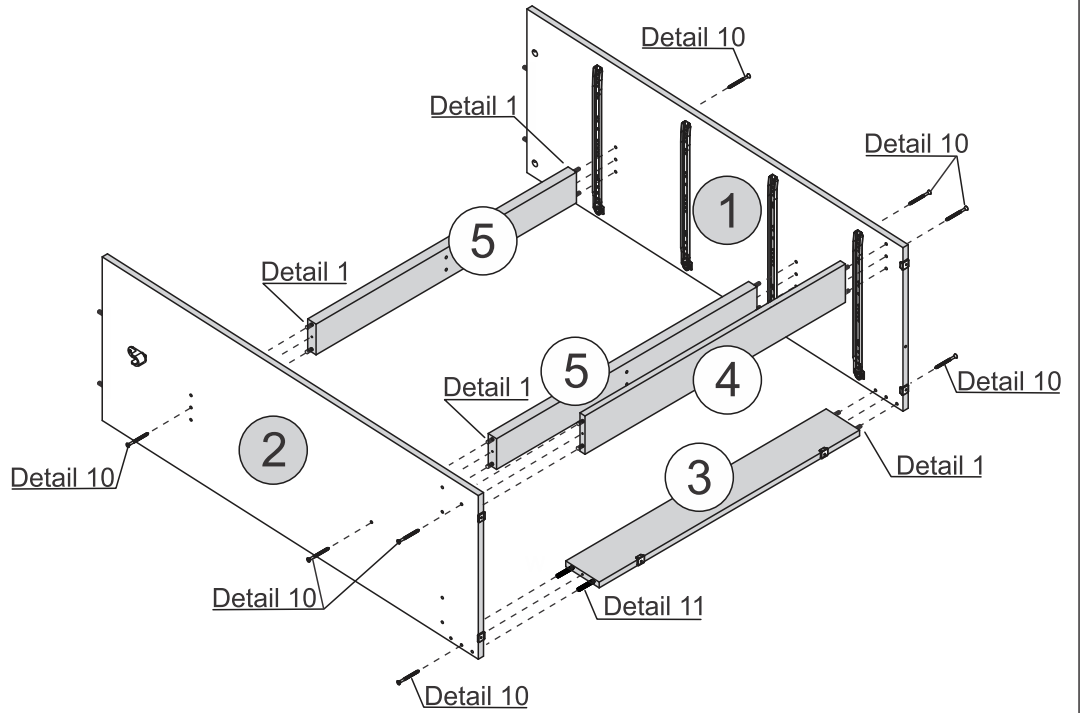
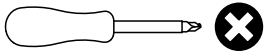
PARTS REQUIRED

1 - LEFT SIDE PANEL	x1
2 - LARGE DIVISION PANEL	x1
3 - FRONT BASEBOARD	x1
4 - BACK BASEBOARD	x1
5 - CROSSBAR	x2

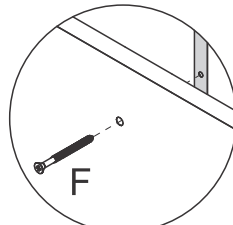
HARDWARE REQUIRED

F	 Ø4,0 x 50mm	08
P	 Glue	01

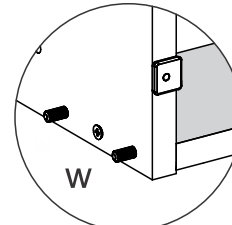
TOOLS REQUIRED



Detail 1



Detail 10

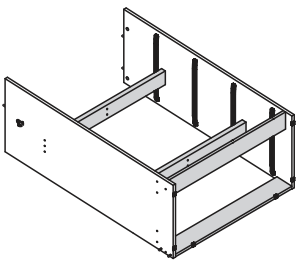


Detail 11



STEP 12

PARTS REQUIRED

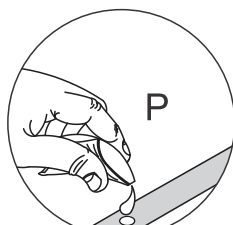
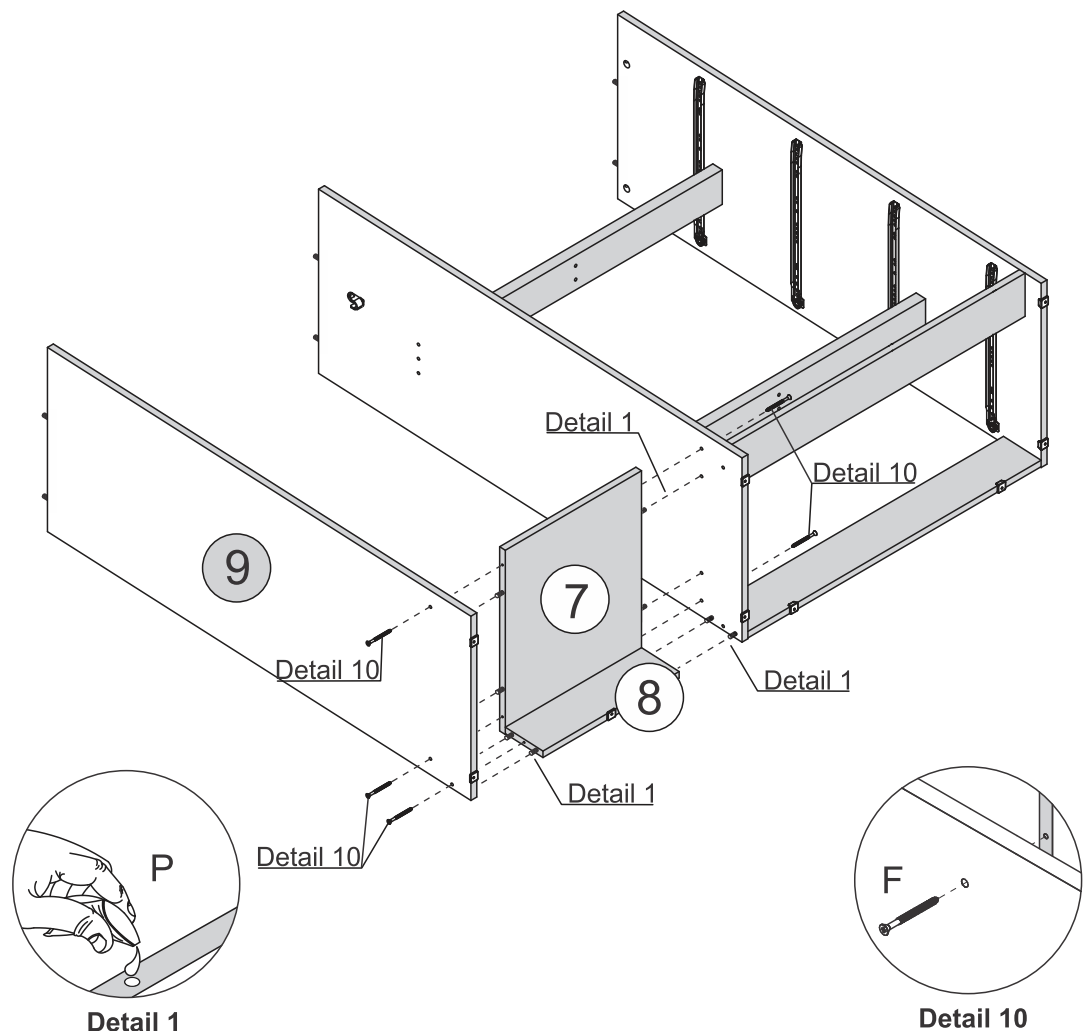
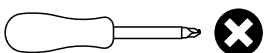
7 - BASE	x1
8 - SMALL FRONT BASEBOARD	x1
9 - RIGHT SIDE PANEL	x1



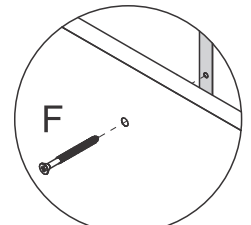
HARDWARE REQUIRED

F	 Ø4,0 x 50mm	05
P	 Glue	01

TOOLS REQUIRED



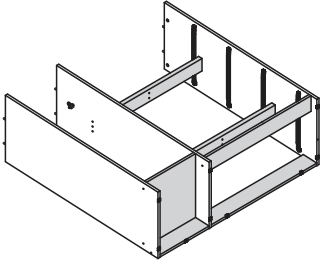
Detail 1



Detail 10

STEP 13

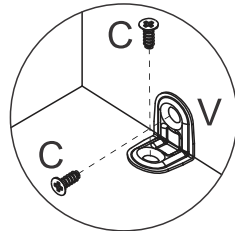
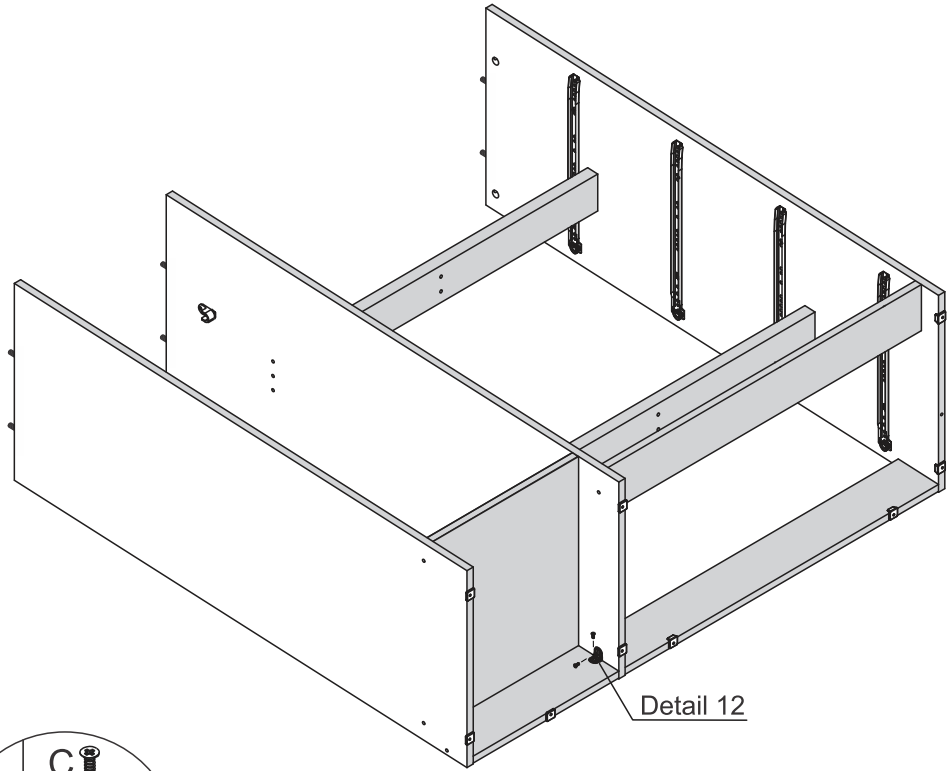
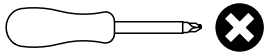
PARTS REQUIRED



HARDWARE REQUIRED



TOOLS REQUIRED



Detail 12

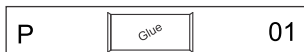
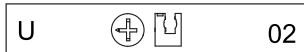
STEP 14

PARTS REQUIRED

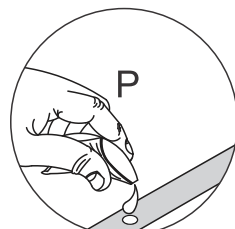
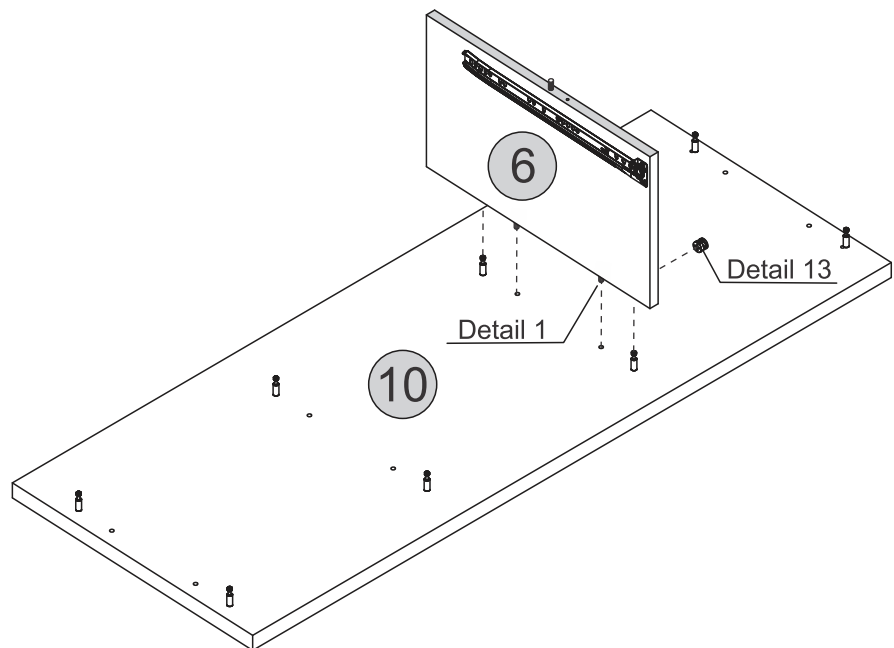
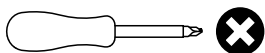
6 - DRAWER DIVISION PANEL x1

10 - TOP PANEL x1

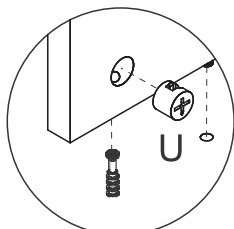
HARDWARE REQUIRED



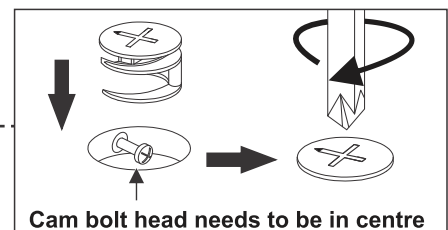
TOOLS REQUIRED



Detail 1

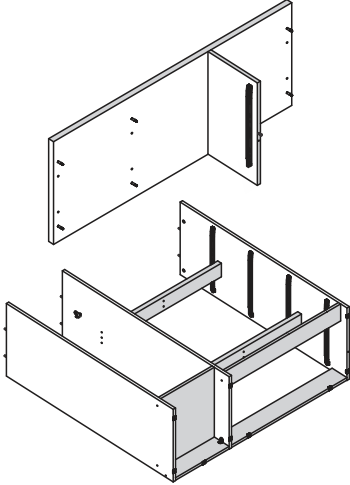


Detail 13

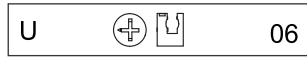
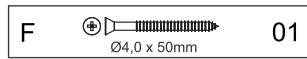


STEP 15

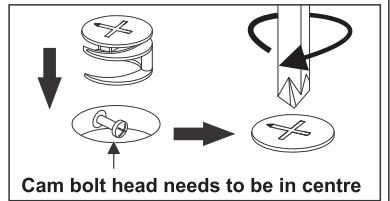
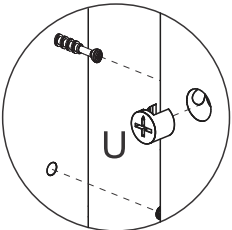
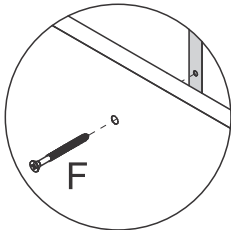
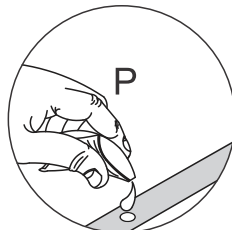
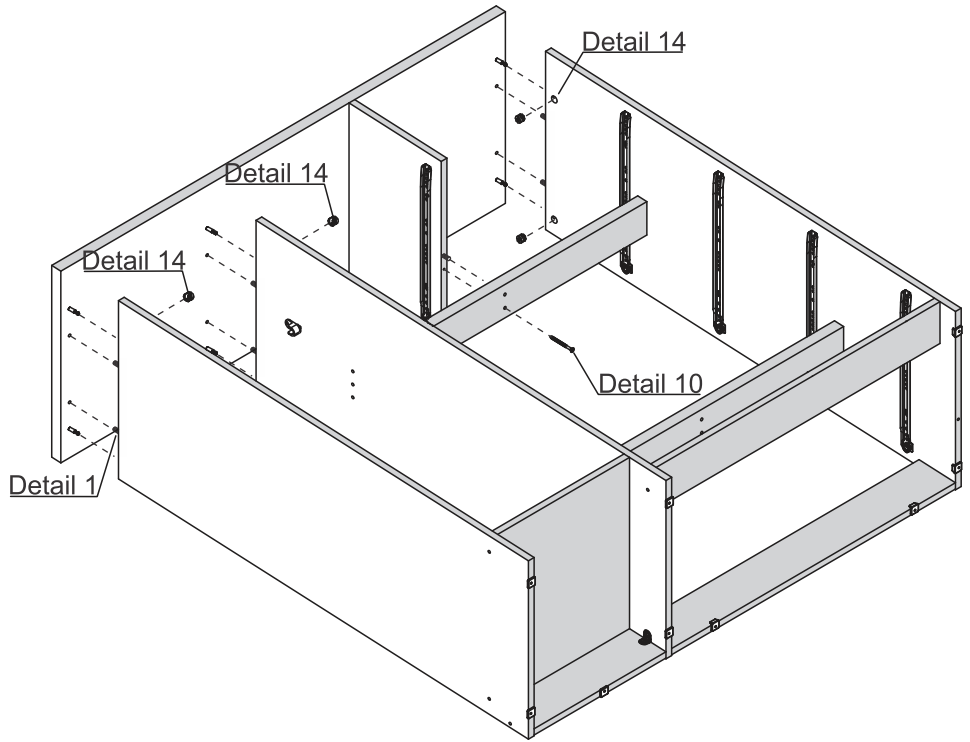
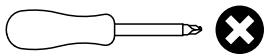
PARTS REQUIRED



HARDWARE REQUIRED

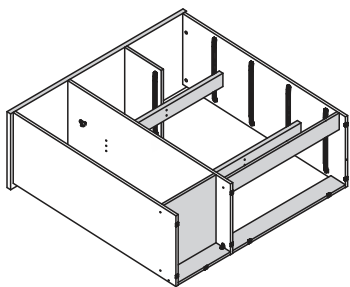


TOOLS REQUIRED

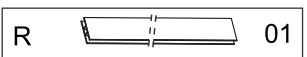
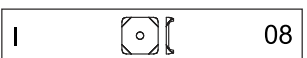
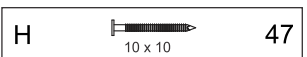


STEP 16

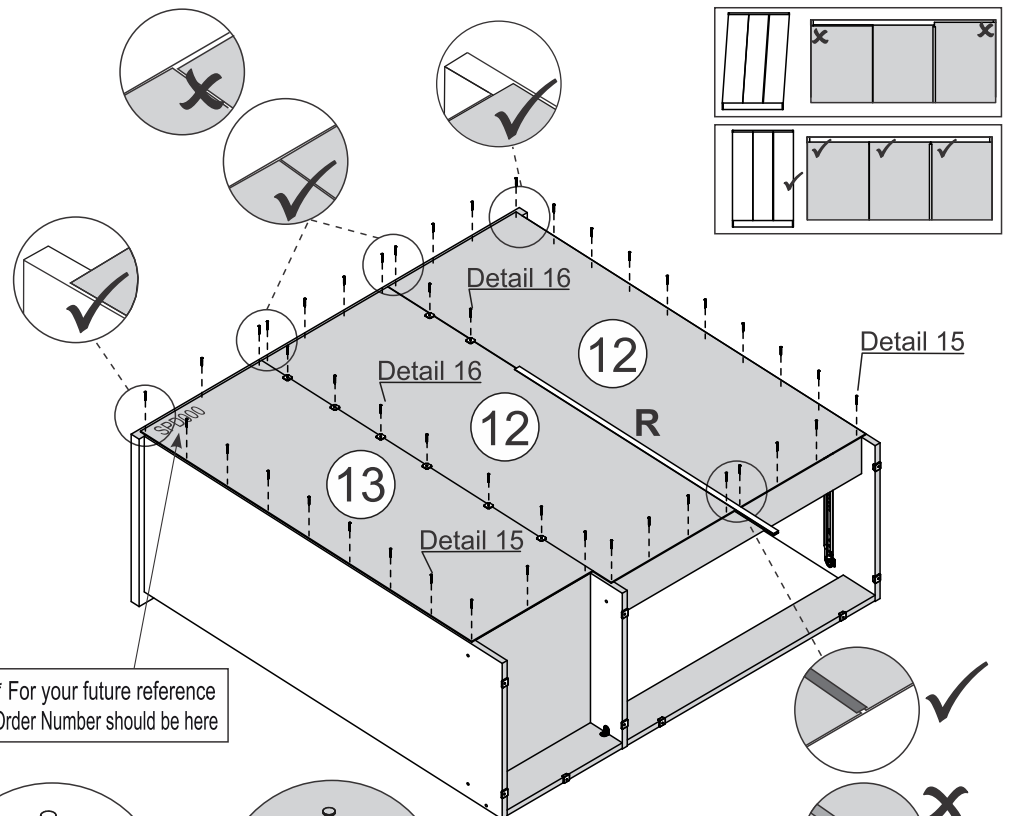
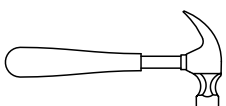
PARTS REQUIRED



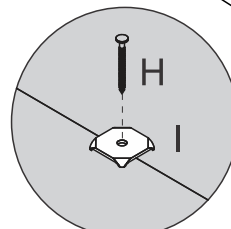
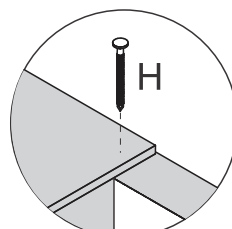
HARDWARE REQUIRED



TOOLS REQUIRED



* For your future reference
Order Number should be here




STEP 17

PARTS REQUIRED

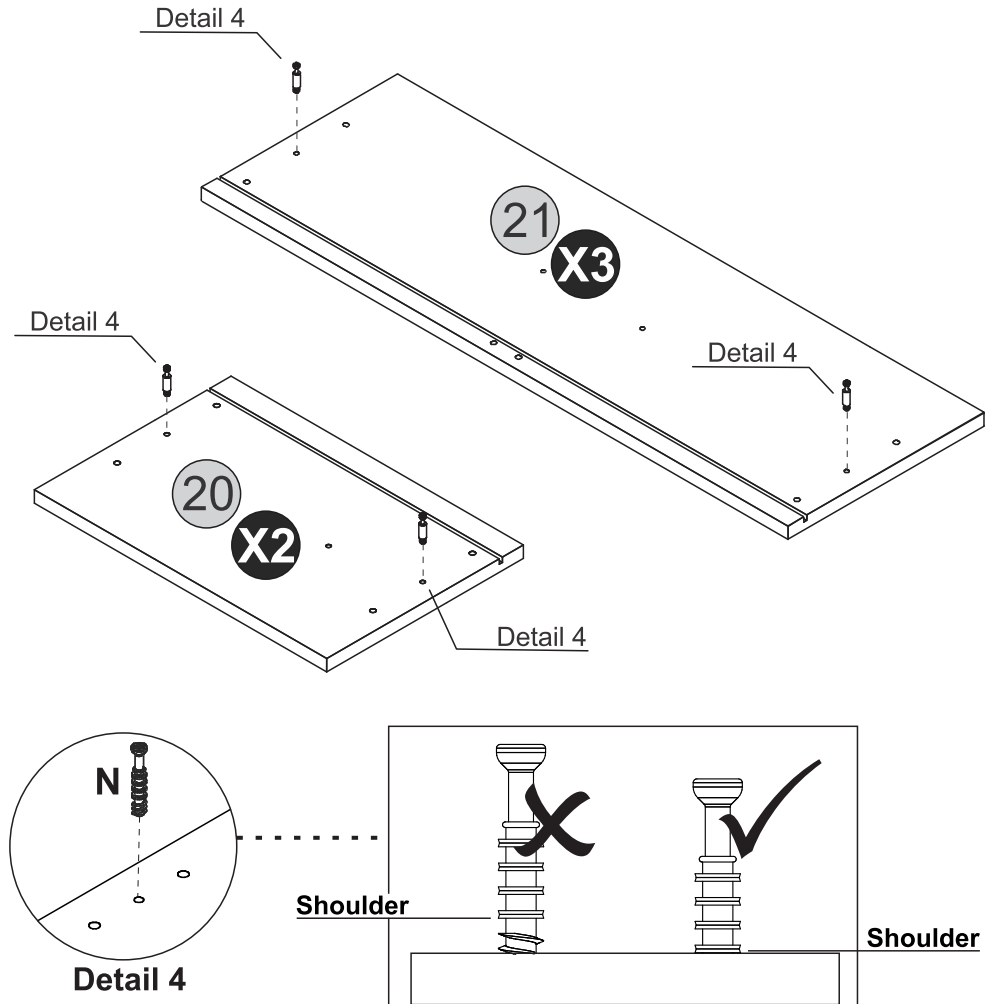
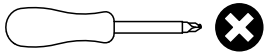
20 - SMALL DRAWER FRONT x2

21 - LARGE DRAWER FRONT x3

HARDWARE REQUIRED

N  10

TOOLS REQUIRED



STEP 18

PARTS REQUIRED

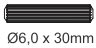
14 - DRAWER SIDE x10

15 - SMALL DRAWER BACK PANEL x2

16 - LARGE DRAWER BACK PANEL x3

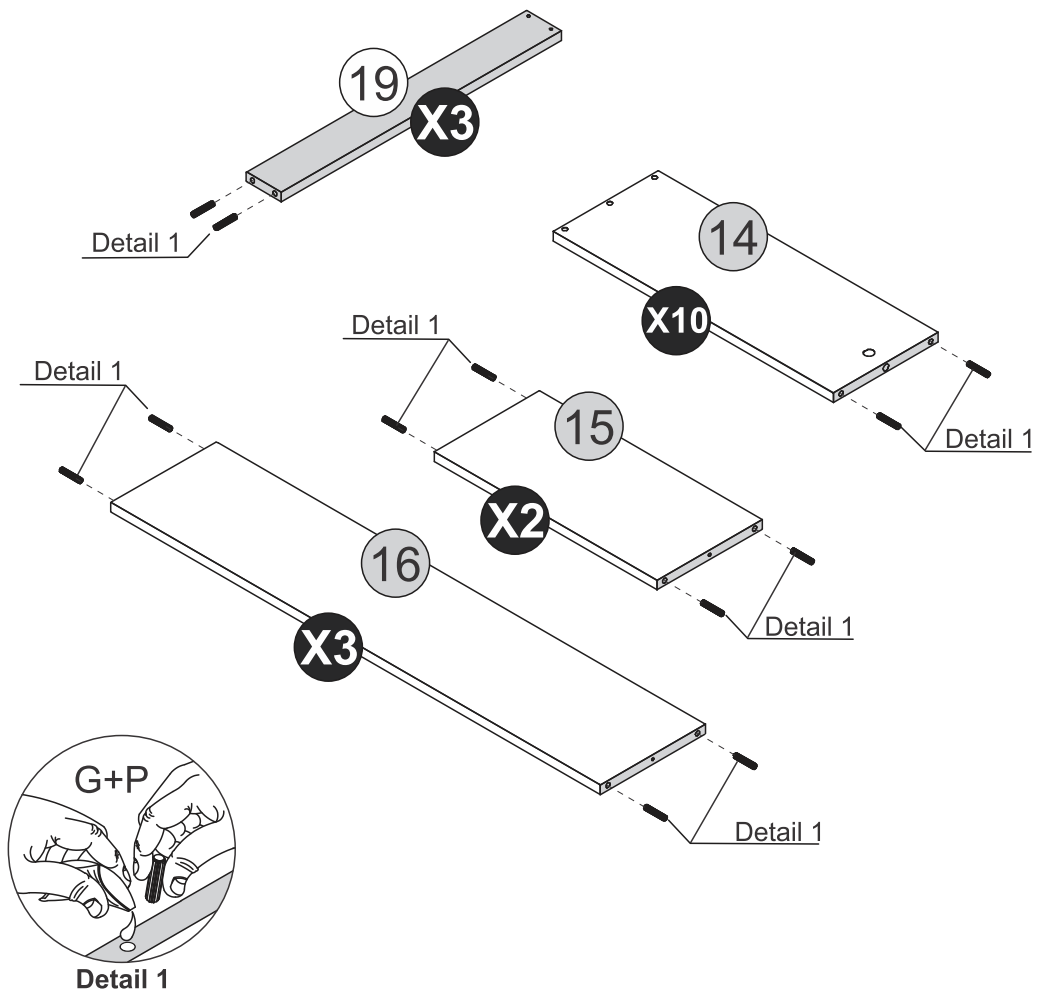
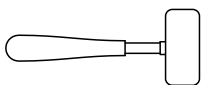
19 - DRAWER BOTTOM SUPPORT BAR x3

HARDWARE REQUIRED

G  46
Ø6,0 x 30mm

P  01

TOOLS REQUIRED




STEP 19

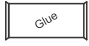
PARTS REQUIRED

14 - DRAWER SIDE x6

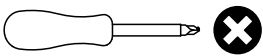
16 - LARGE DRAWER BACK PANEL x3

HARDWARE REQUIRED

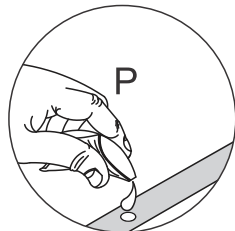
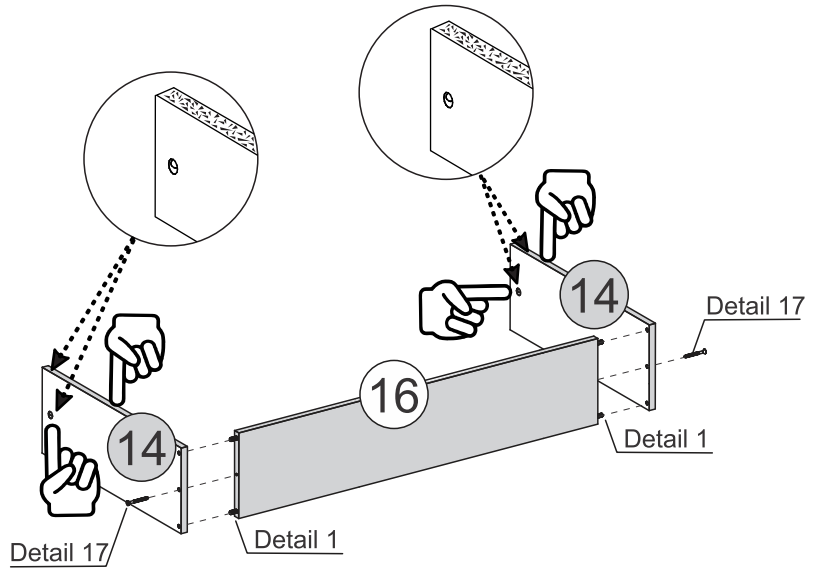
F  Ø4.0 x 50mm 06

P  01

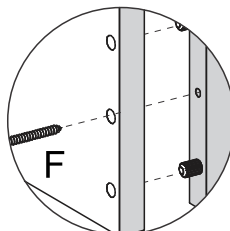
TOOLS REQUIRED



X3



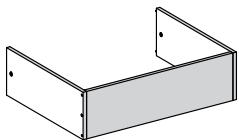
Detail 1



Detail 17

STEP 20

PARTS REQUIRED




21 - LARGE DRAWER FRONT x3

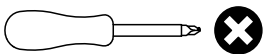
HARDWARE REQUIRED

J  06

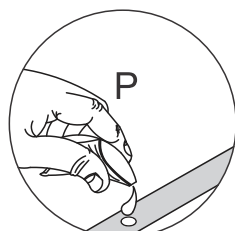
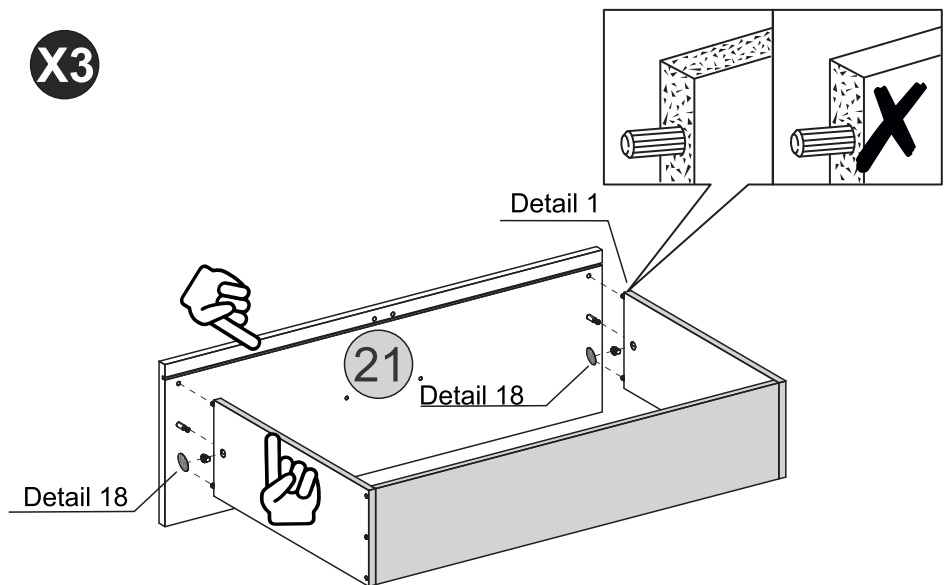
B1  06

P  01

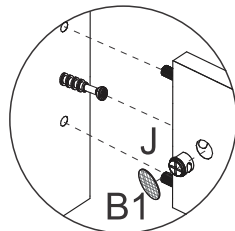
TOOLS REQUIRED



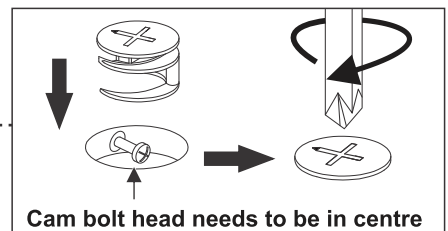
X3



Detail 1



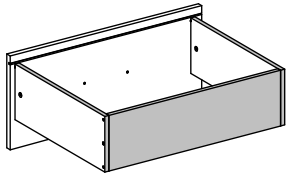
Detail 18




STEP 21

PARTS REQUIRED

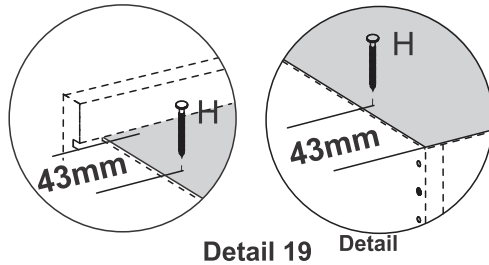
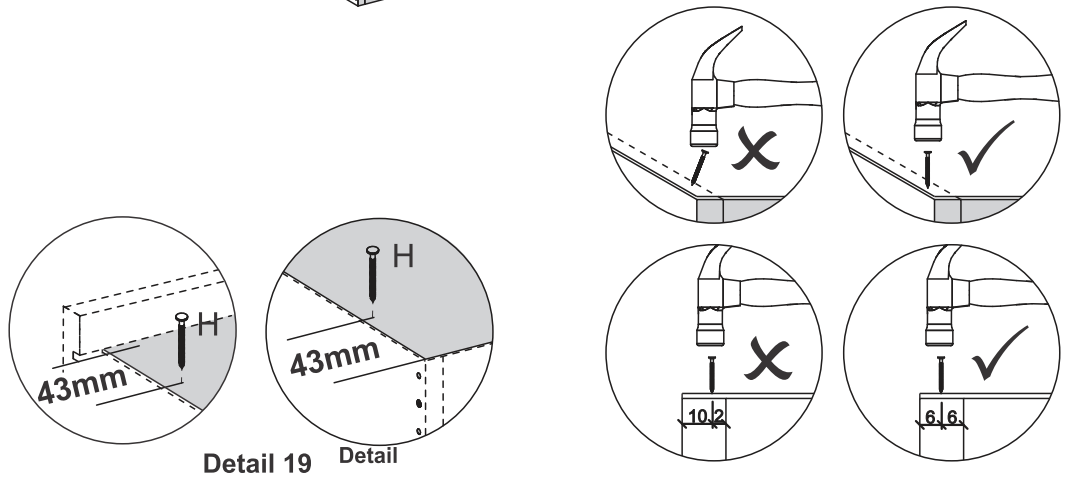
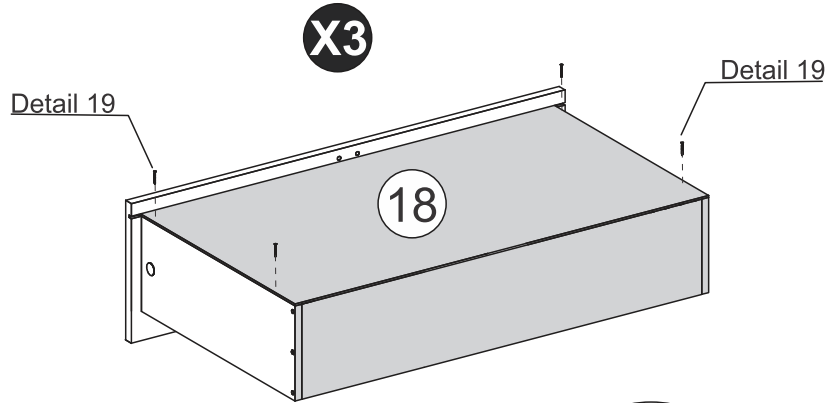
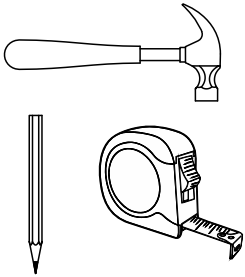
18 - LARGE DRAWER BOTTOM X3



HARDWARE REQUIRED

H  12
10 x 10

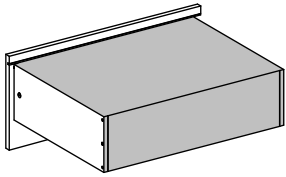
TOOLS REQUIRED



STEP 22

PARTS REQUIRED

19 - DRAWER BOTTOM SUPPORT BAR X3

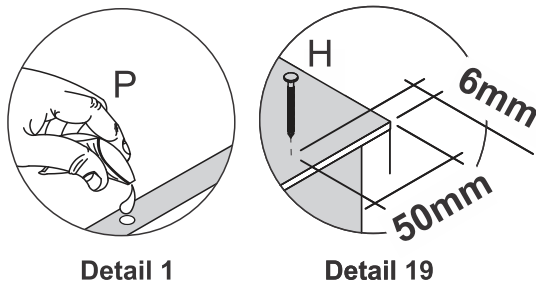
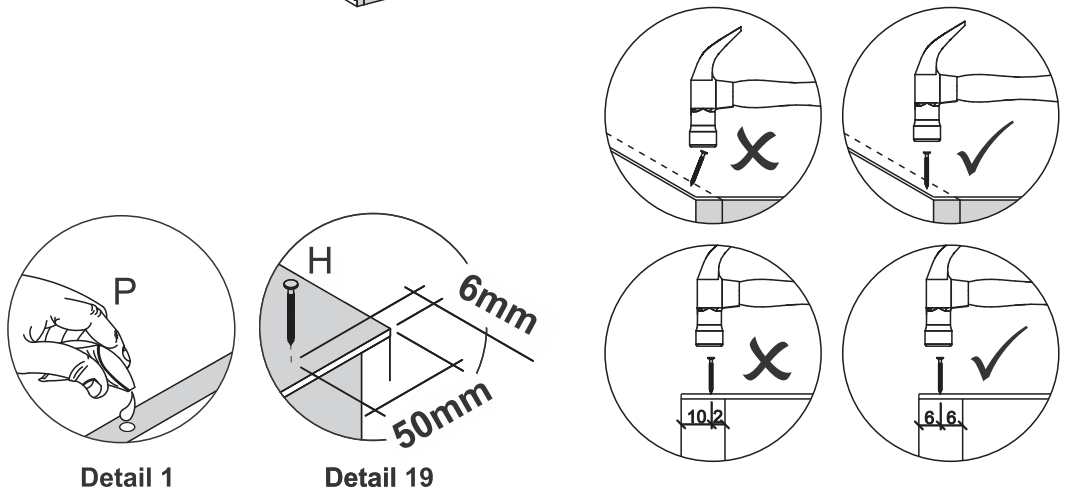
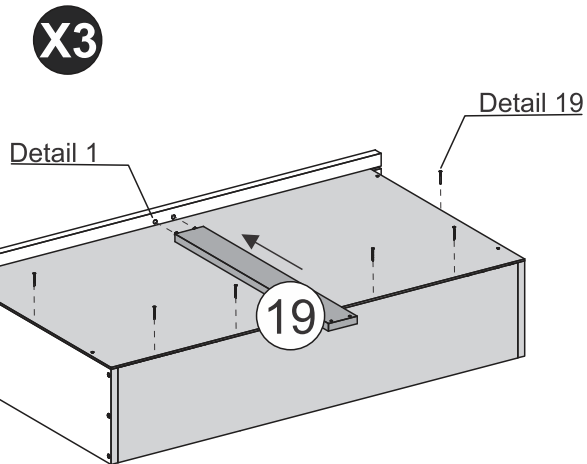
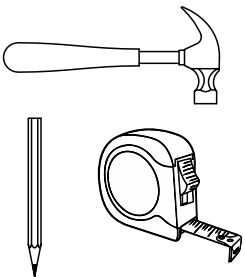


HARDWARE REQUIRED

H  18
10 x 10

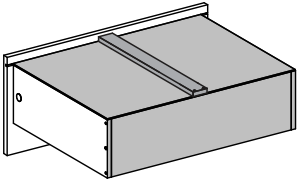
P  01

TOOLS REQUIRED

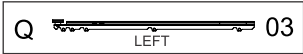
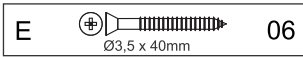
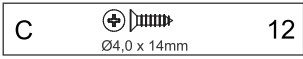


STEP 23

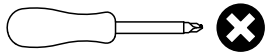
PARTS REQUIRED



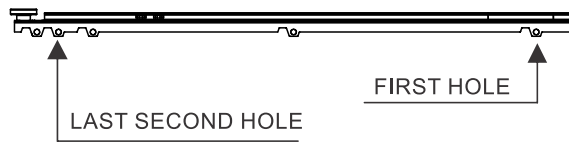
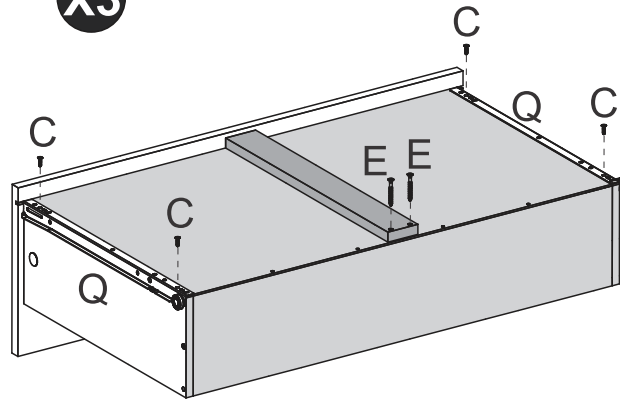
HARDWARE REQUIRED



TOOLS REQUIRED

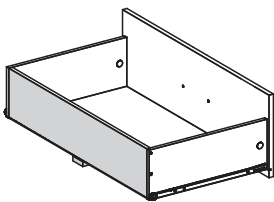


X3



STEP 24

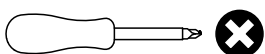
PARTS REQUIRED



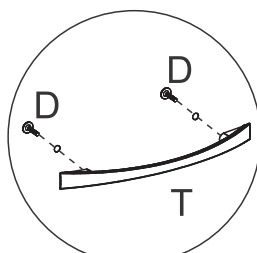
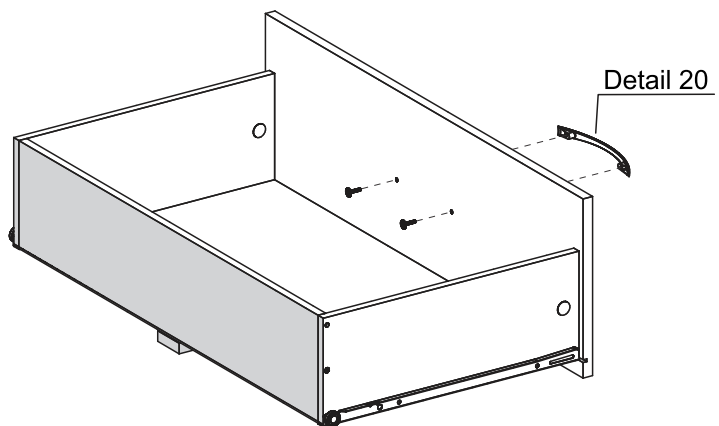
HARDWARE REQUIRED



TOOLS REQUIRED



X3



Detail 20


STEP 25

PARTS REQUIRED

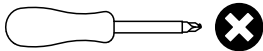
14 - DRAWER SIDE x4

15 - SMALL DRAWER BACK PANEL x2

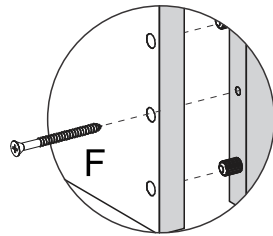
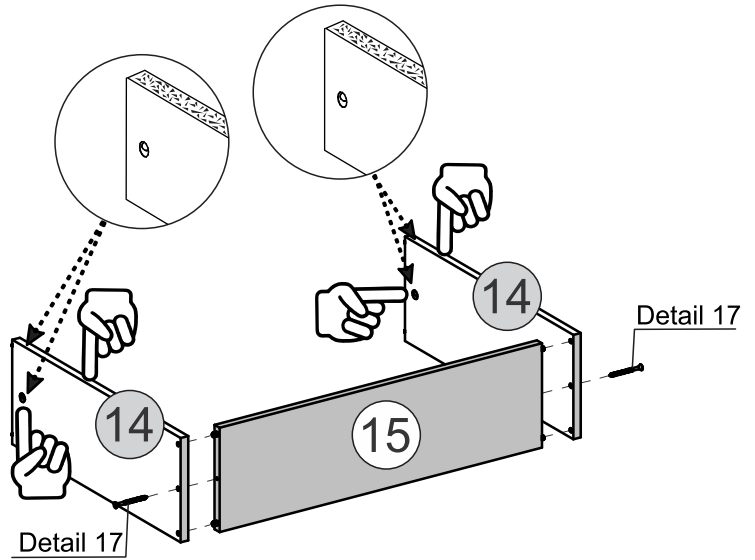
HARDWARE REQUIRED

F  04
Ø4.0 x 50mm

TOOLS REQUIRED

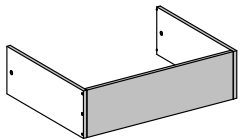


X2



STEP 26

PARTS REQUIRED



20 - SMALL DRAWER FRONT x2

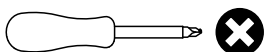
HARDWARE REQUIRED

J  04

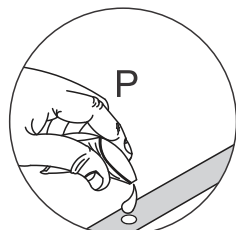
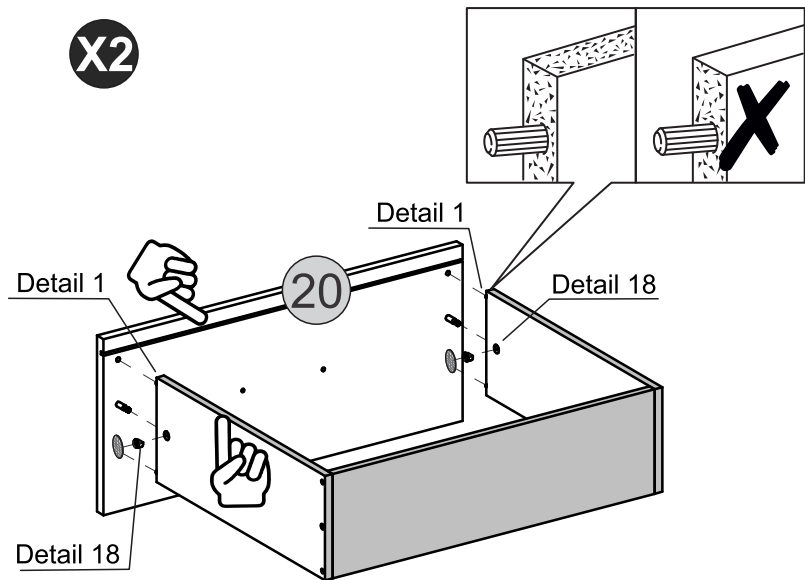
B1  04

P  01

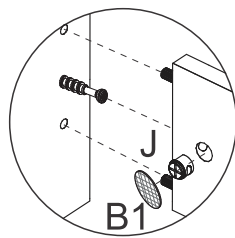
TOOLS REQUIRED



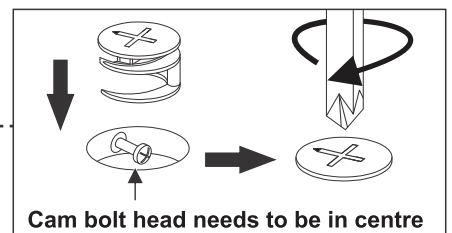
X2



Detail 1



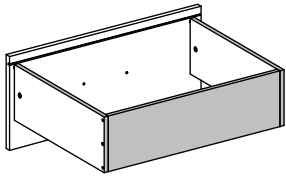
Detail 18



Cam bolt head needs to be in centre

STEP 27

PARTS REQUIRED

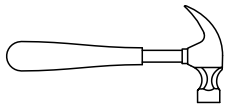


17 - SMALL DRAWER BOTTOM x2

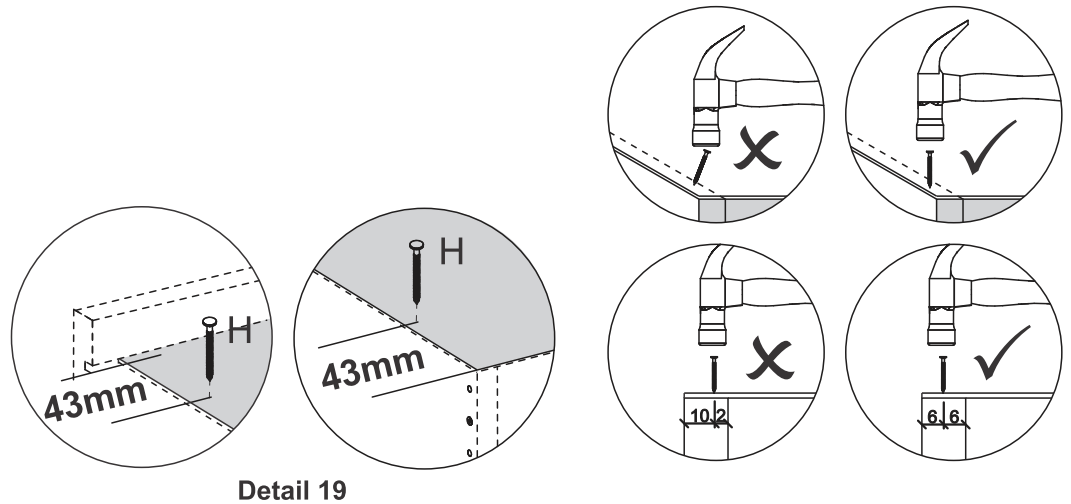
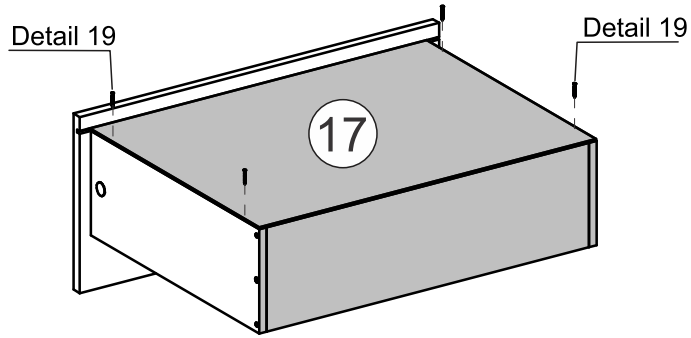
HARDWARE REQUIRED



TOOLS REQUIRED



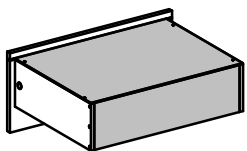
X2



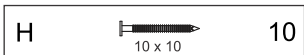
Detail 19

STEP 28

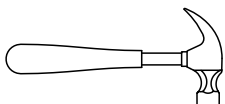
PARTS REQUIRED



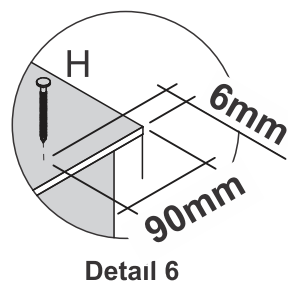
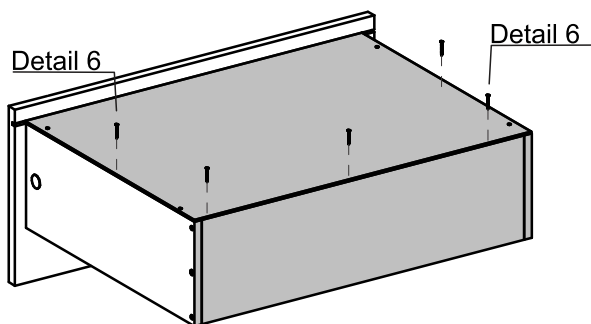
HARDWARE REQUIRED



TOOLS REQUIRED



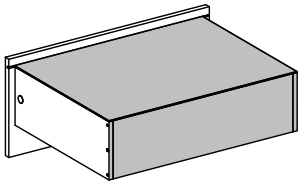
X2



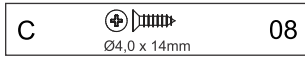
Detail 6

STEP 29

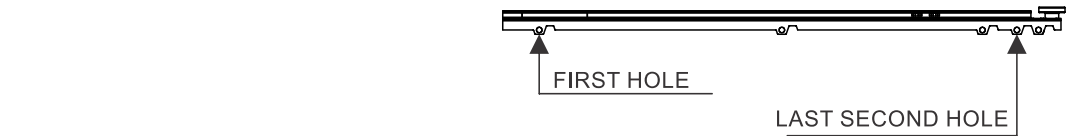
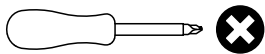
PARTS REQUIRED



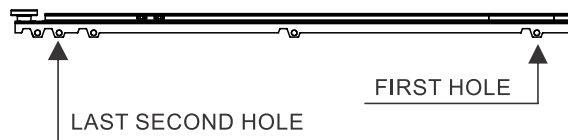
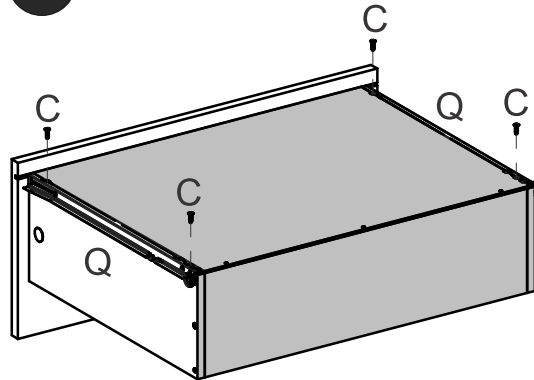
HARDWARE REQUIRED



TOOLS REQUIRED

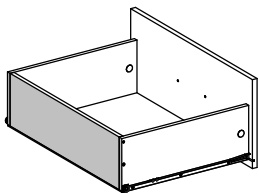


X2

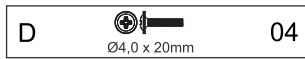


STEP 30

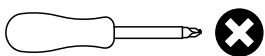
PARTS REQUIRED



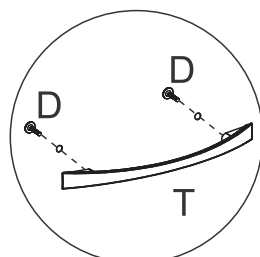
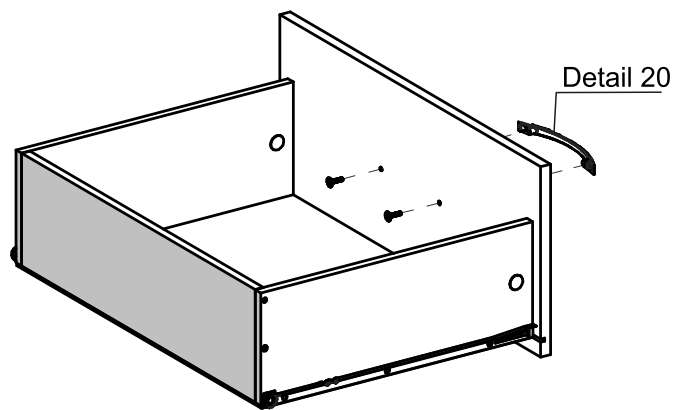
HARDWARE REQUIRED



TOOLS REQUIRED



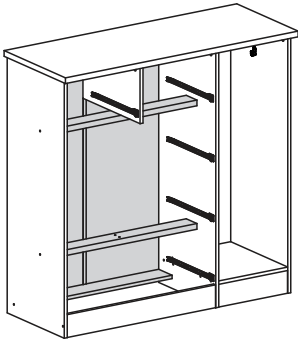
X2




Detail 20

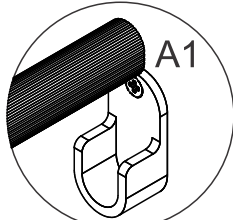
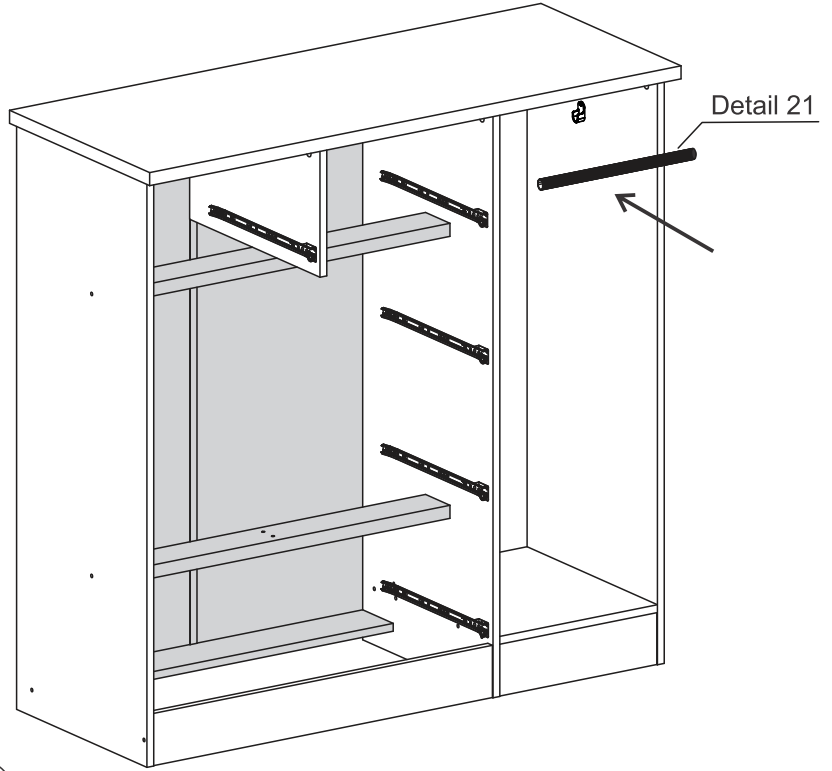
STEP 31

PARTS REQUIRED



HARDWARE REQUIRED

A1		01
----	---	----



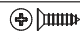
Detail 21


STEP 32

PARTS REQUIRED

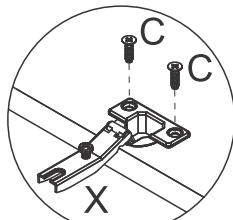
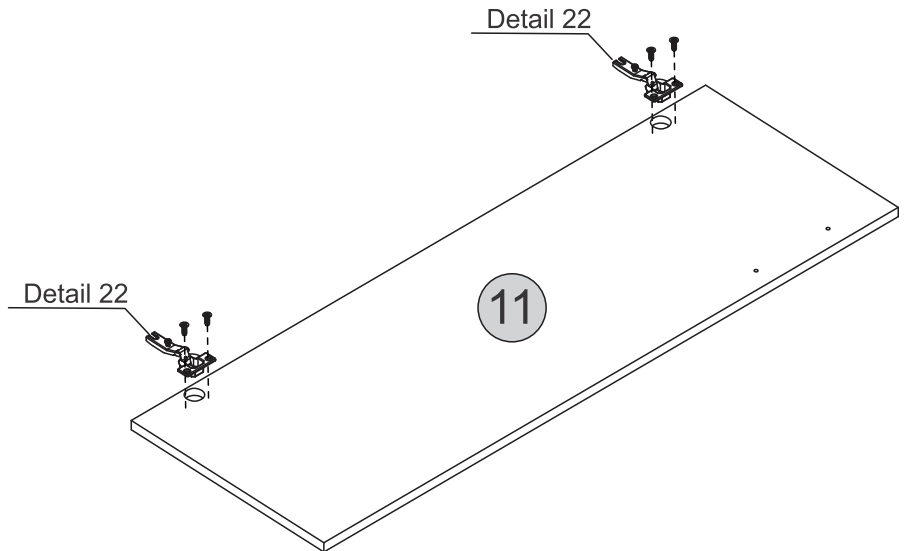
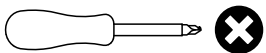
11 - DOOR	x1
-----------	----

HARDWARE REQUIRED

C	 Ø4,0 x 14mm	04
---	--	----

X		02
---	---	----

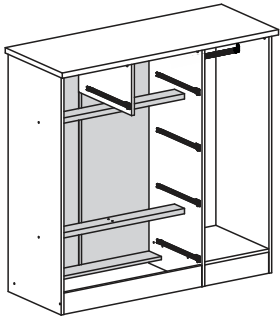
TOOLS REQUIRED



Detail 22

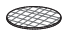
STEP 33

PARTS REQUIRED

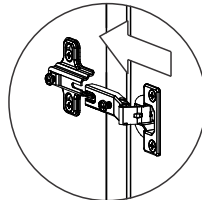
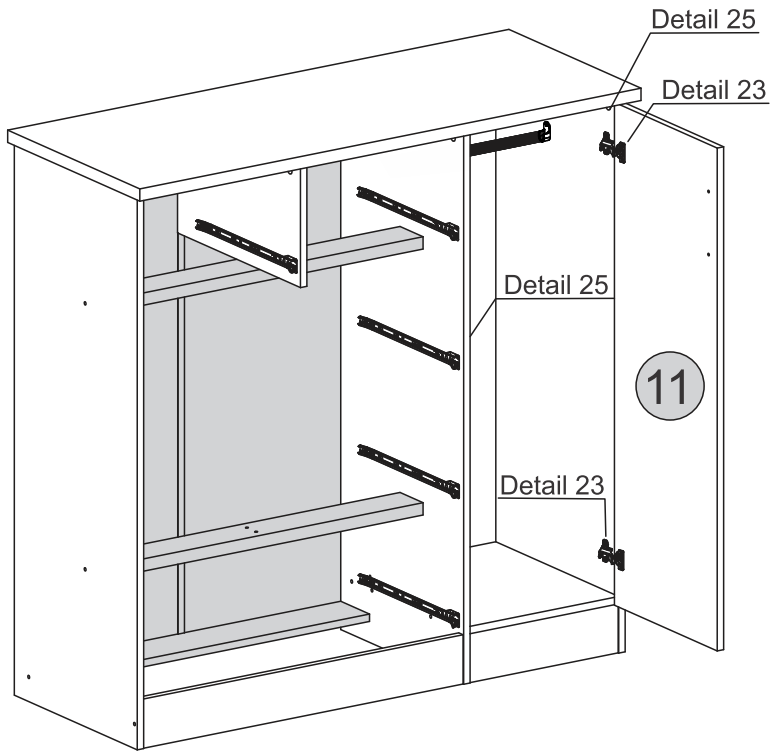
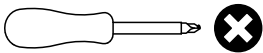


11 - DOOR x1

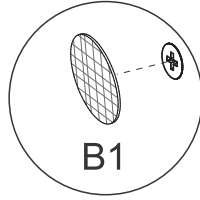
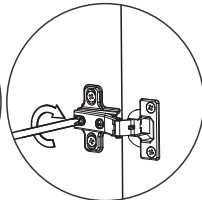
HARDWARE REQUIRED

B1  06

TOOLS REQUIRED



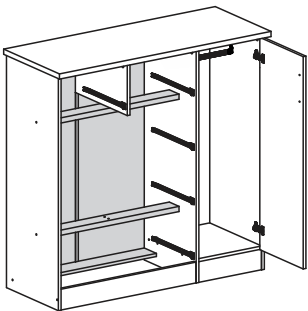
Detail 23




Detail 25

STEP 34

PARTS REQUIRED

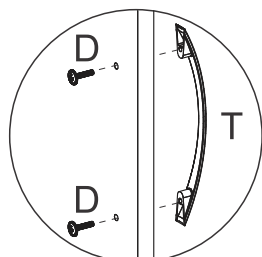
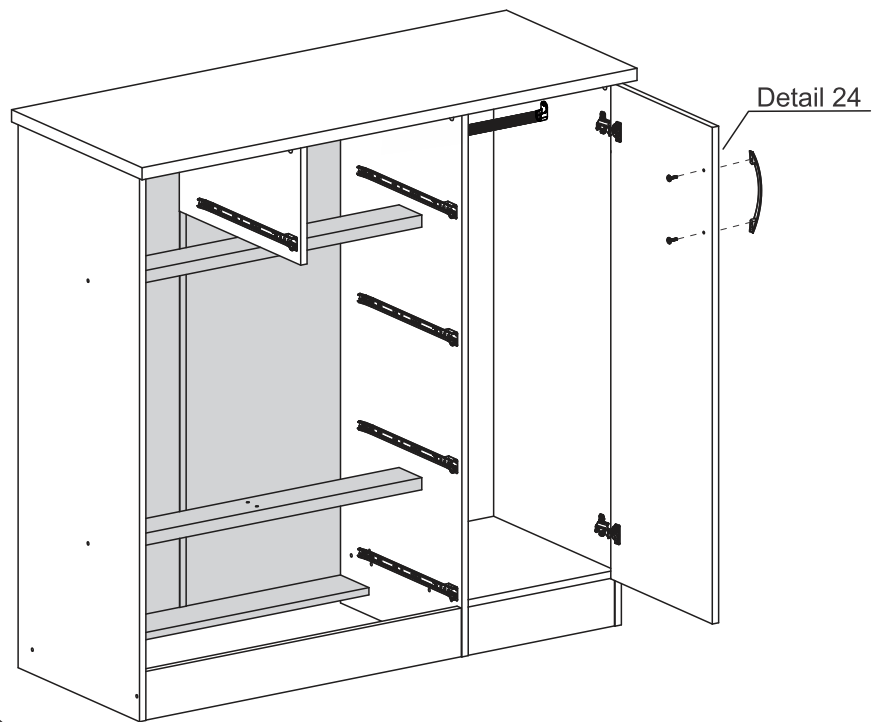
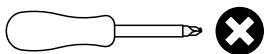


HARDWARE REQUIRED

D  02
Ø4,0 x 20mm

T  01

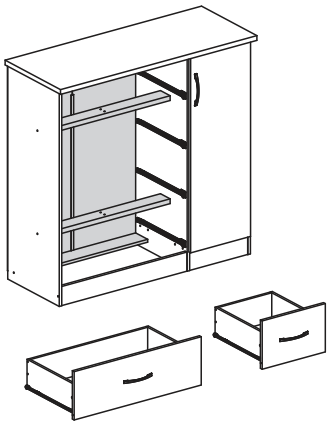
TOOLS REQUIRED



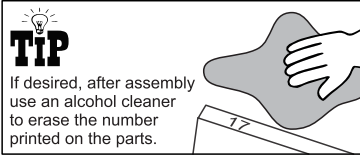
Detail 24

STEP 35

PARTS REQUIRED

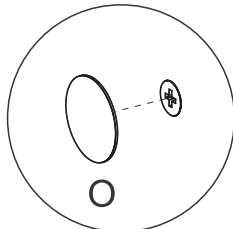
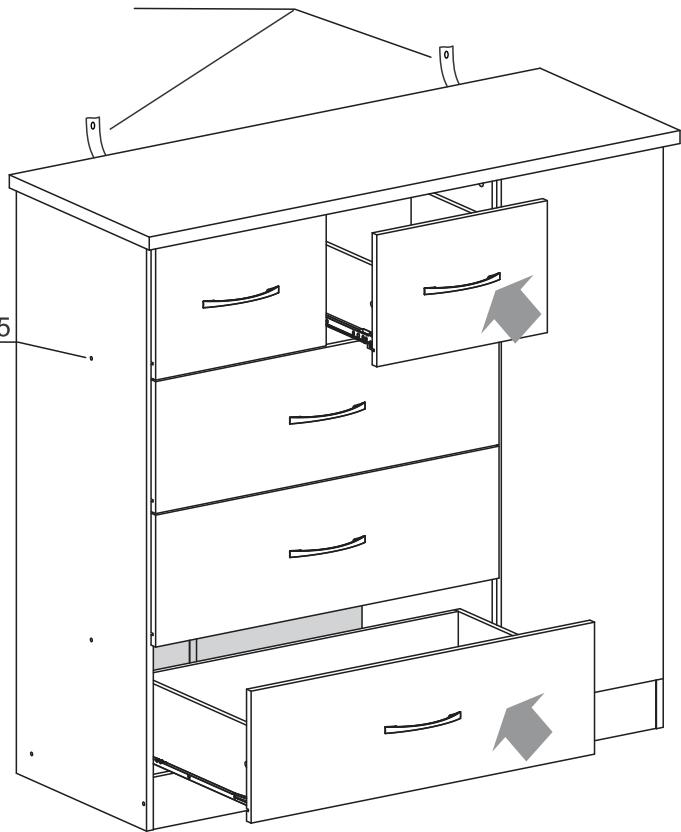


HARDWARE REQUIRED



! See the last page

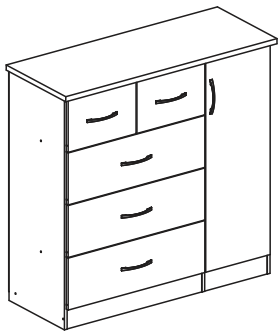
Detail 25



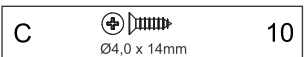
Detail 25

STEP 36

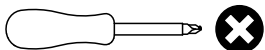
PARTS REQUIRED



HARDWARE REQUIRED



TOOLS REQUIRED

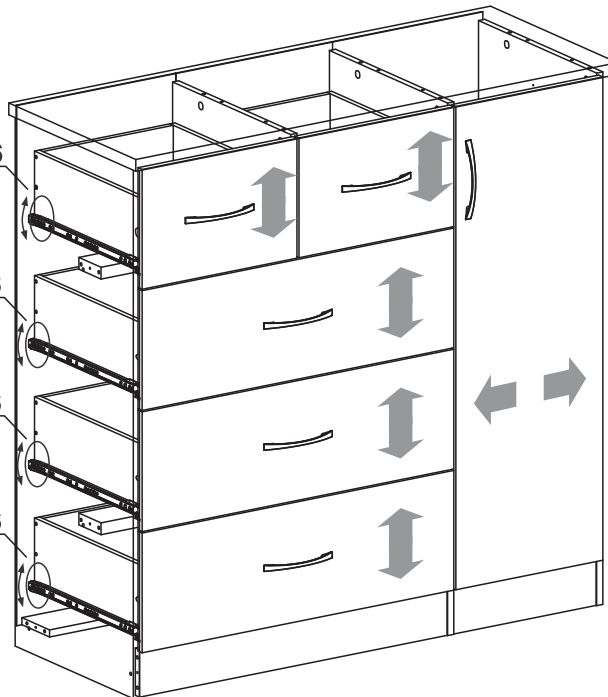


Detail 26

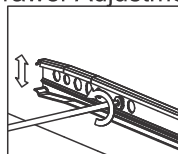
Detail 26

Detail 26

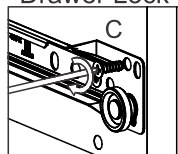
Detail 26



Drawer Adjustment

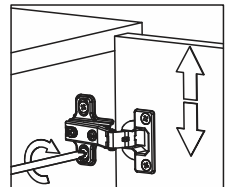


Drawer Lock

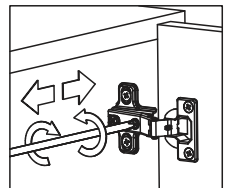


Detail 26

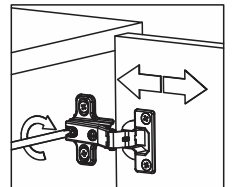
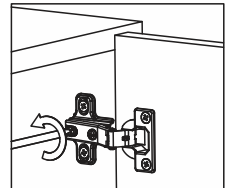
Height Adjustment



Internal Adjustment



Depth Adjustment



WARNING

Serious or fatal injuries can occur from furniture tipping over. To prevent the furniture from tipping over we recommend that it is permanently fixed to the wall.

Wall fixings are not supplied with this product as different wall materials require different types of fixing devices. Please make sure you use fixings suitable for the walls in your home.

