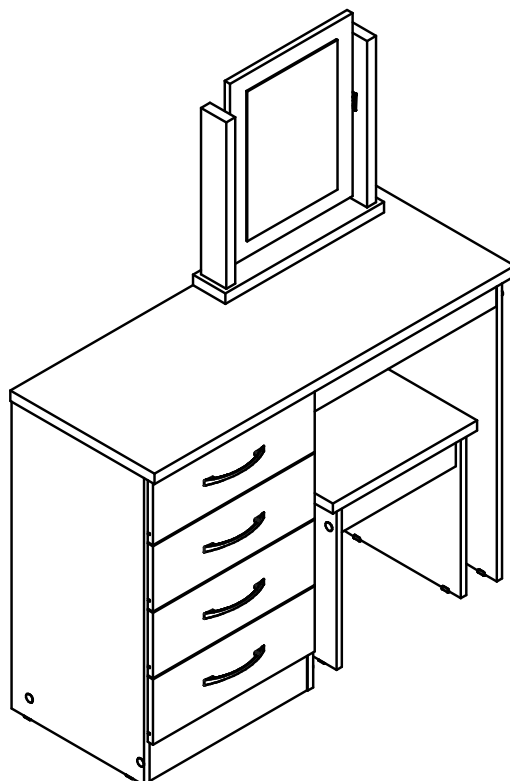


NEVADA DRESSING TABLE SET ASSEMBLY INSTRUCTIONS



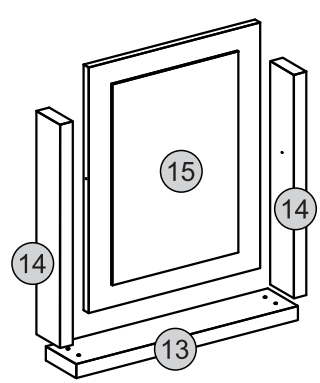
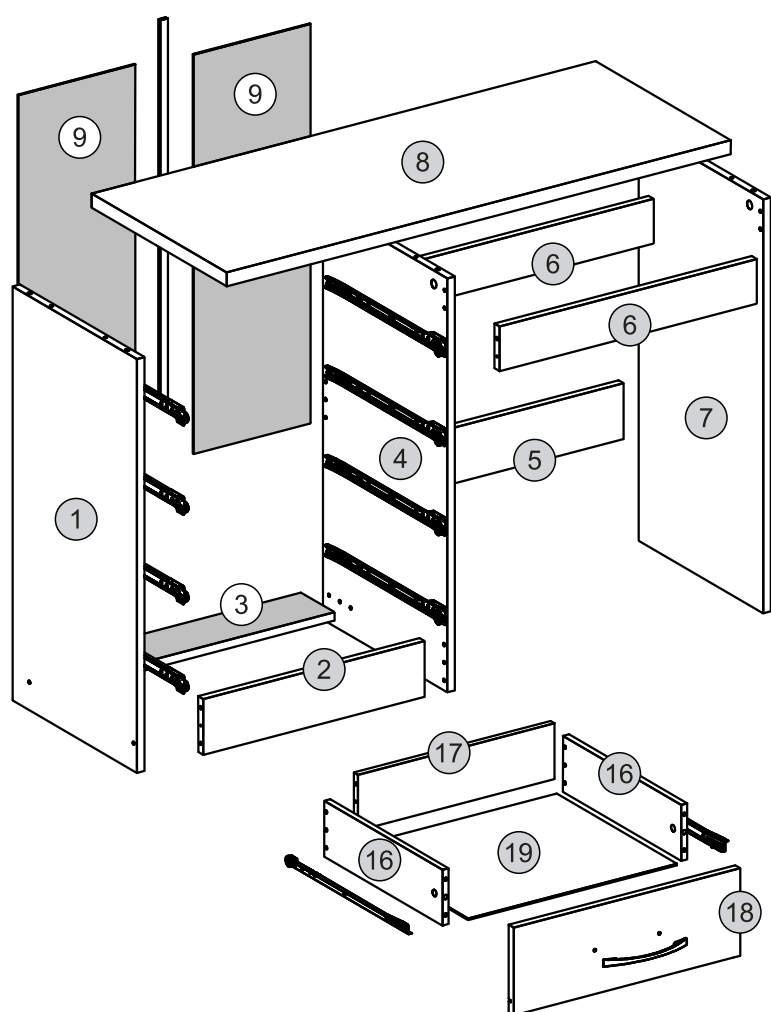
IMPORTANT FOR DOMESTIC USE ONLY

PLEASE READ BEFORE YOU CONTINUE FURTHER

CARE AND MAINTENANCE

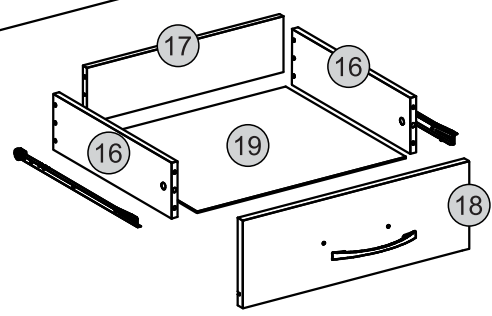
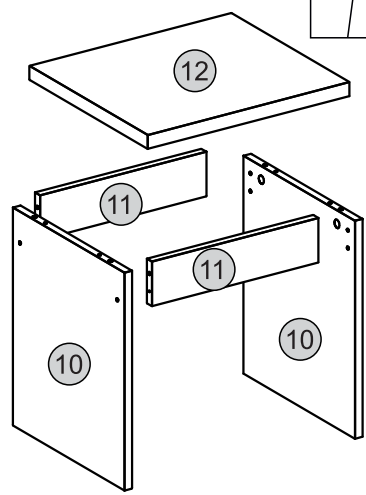
After unpacking this product please keep the original packaging in case it needs to be returned for any reason.

- Please ensure all fittings and parts are present before commencing with assembly.
- Never drag or push products as this could cause damage to the joints making it inferior.
- We strongly recommend that you keep children away from your work area.
- We recommend that you lay a blanket or sheet on the floor to avoid damage to both your floor and the product.
- Assemble this product as close to its final position as possible.
- Do not place this product next to a radiator or in direct sunlight.
- Do not drag or push items across your high gloss furniture as this may cause the surface to scratch
- Wood is a natural product and may expand if subjected to damp and may shrink or crack if subjected to heat. Therefore it is recommended that room temperature is maintained, with no sudden temperature fluctuations.
- Make sure any spillage is wiped off immediately.
- Do not place hot or chilled items directly on to the surface, use a place mat or marking will occur.
- For general cleaning use a soft cotton or micro fibre cloth, and do not use detergents of any kind.
- From time to time it may be necessary to tighten fittings, regular inspections should be carried out.
- Do not place on a wet or damp floor as staining may occur to your floor.



TIP

After assembly use an alcohol based product/cleaner to erase the numbers printed on the parts that are visual.

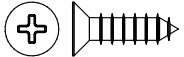

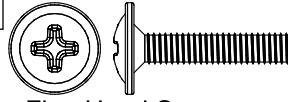
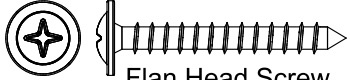

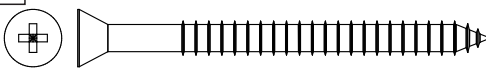



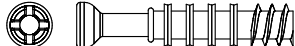
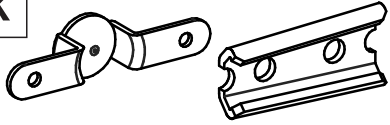
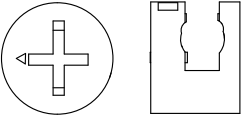
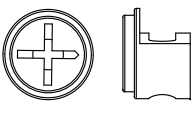
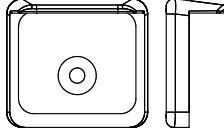


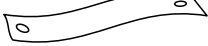
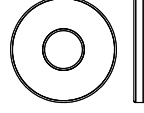

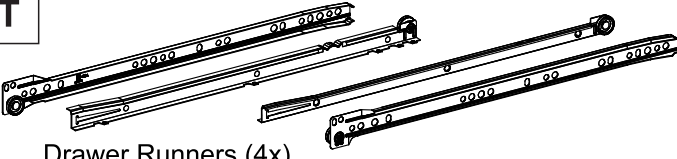
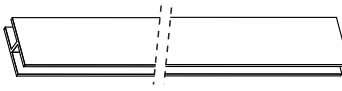
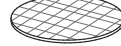


Please Note:
The below parts have all been stamped with the part number to help identify them during assembly.

Part Number	Part Description	Quantity	Carton
01	Left Chest Side Panel	1	1/2
02	Front Baseboard	1	1/2
03	Back Baseboard	1	1/2
04	Right Chest Side Panel	1	1/2
05	Back Crossbar	1	1/2
06	Upper Crossbar	2	1/2
07	Right Table Side Panel	1	1/2
08	Top Panel	1	2/2
09	Back Panel	2	1/2
10	Stool Side Panel	2	2/2
11	Stool Crosspiece	2	2/2
12	Stool Seat	1	2/2
13	Mirror Base Panel	1	1/2
14	Mirror Side Panel	2	2/2
15	Mirror Panel	1	2/2
16	Drawer Side	8	2/2
17	Drawer Back	4	2/2
18	Drawer Front	4	1/2
19	Drawer Bottom	4	2/2

TOOLS REQUIRED


FITTINGS LIST

<p>A</p>  <p>Flat Head Screw Ø4,0 x 14mm (24x)</p> <p>+/2</p>	<p>B</p>  <p>Flat Head Screw Ø6,0 x 10mm (16x)</p> <p>+/2</p>	<p>C</p>  <p>Flan Head Screw Ø4,0 x 20mm (8x)</p> <p>+/1</p>	<p>D</p>  <p>Flan Head Screw Ø3,5 x 30mm (2x)</p> <p>+/1</p>
<p>E</p>  <p>Flat Head Screw Ø4,0x 50mm (22x)</p> <p>+/2</p>	<p>F</p>  <p>Flat Head Screw Ø4,5x 60mm (4x)</p> <p>+/1</p>	<p>G</p>  <p>+/2 Dowel Ø6,0 x 30mm (62x)</p>	
<p>H</p>  <p>Nail 10 x 10 (64x)</p> <p>+/2</p>	<p>I</p>  <p>Flat Head Screw Ø3,0 x 16mm (8x)</p> <p>+/1</p>	<p>J</p>  <p>Cam Bolt (18x)</p> <p>+/2</p>	<p>K</p>  <p>Mirror Support (2x)</p>
<p>L</p>  <p>Cam Nut Ø15mm (10x)</p> <p>+/2</p>	<p>M</p>  <p>Cam Nut Ø12mm (8x)</p> <p>+/1</p>	<p>N</p>  <p>Plastic Foot (10x)</p> <p>+/2</p>	<p>O</p>  <p>Hole Plugs (11x)</p> <p>+/2</p>
<p>P</p>  <p>Glue (2x)</p>	<p>Q</p>  <p>Strap (2x)</p>	<p>R</p>  <p>Washer (4x)</p> <p>+/1</p>	<p>S</p>  <p>Handle (4x)</p>
<p>T</p>  <p>Drawer Runners (4x)</p>		<p>U</p>  <p>Back Panel Strip (1x)</p>	<p>V</p>  <p>Hole Plugs (8x)</p> <p>+/2</p>

TIPS FOR FITTINGS CAM-LOCKS

WHEN FITTING CAM NUT. ENSURE STARTING POSITION IS CORRECT BEFORE YOU INSERT CONNECTING CAM BOLT TURN CLOCKWISE UNTIL SECURE


✓



↑

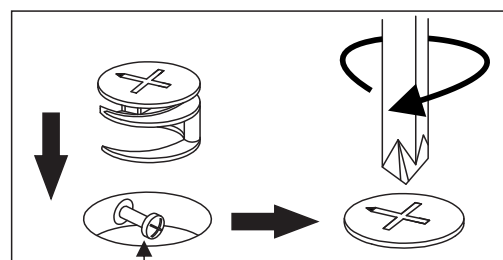
CORRECT

✗



↑

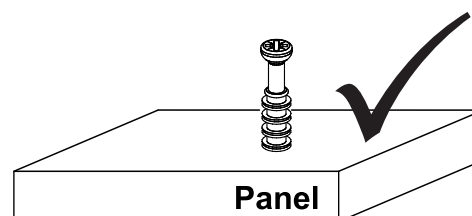
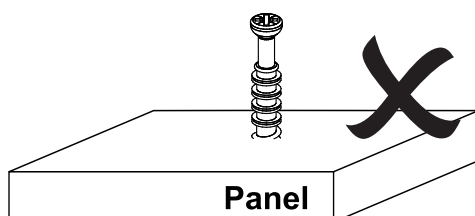
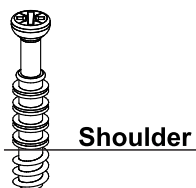
WRONG



Cam bolt head needs to be in centre

CAMBOLT

Tighten until shoulder in flush with panel. Do not overtighten or undertighten (see example beside)



STEP 1

PARTS REQUIRED

2 - FRONT BASEBOARD x1


3 - BACK BASEBOARD x1


5 - BACK CROSSBAR x1

6 - UPPER CROSSBAR x2

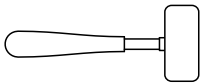
11 - STOOL CROSSPIECE x2

HARDWARE REQUIRED

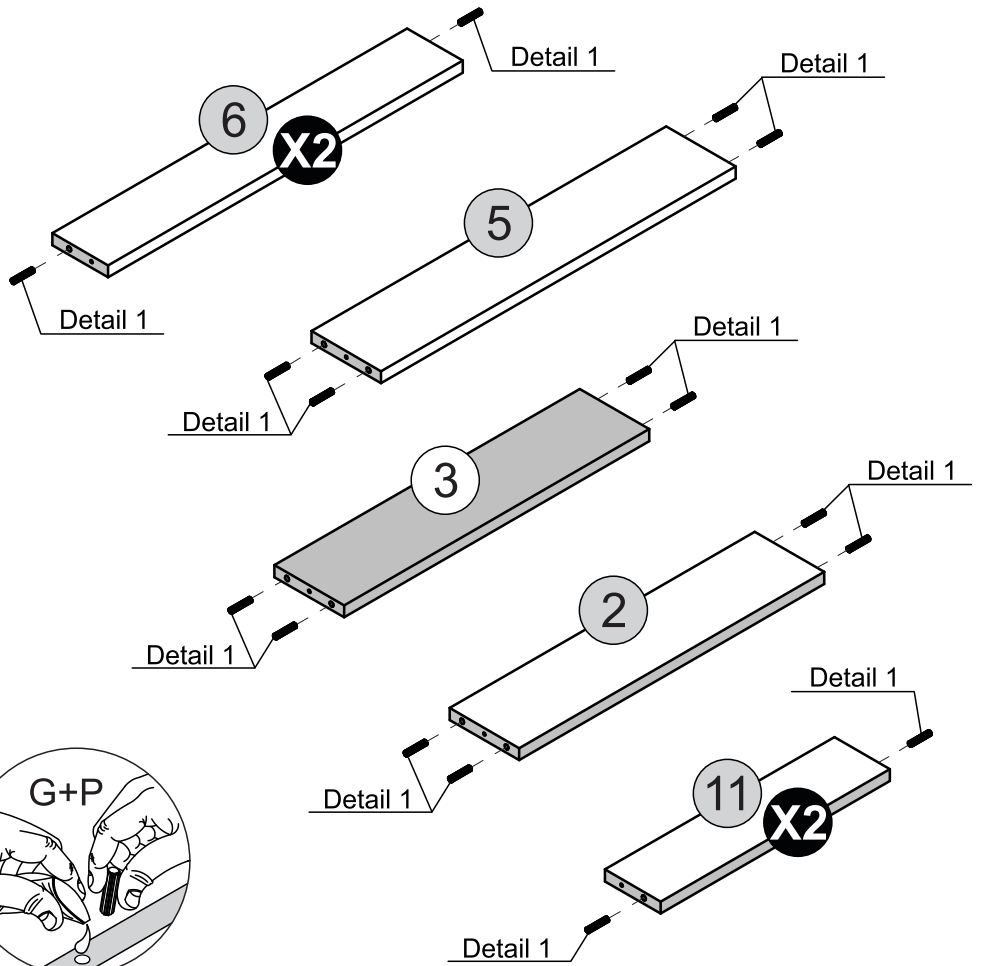
G  20
Ø6,0 x 30mm

P  01
Glue

TOOLS REQUIRED



Detail 1




STEP 2

PARTS REQUIRED

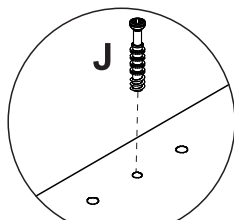
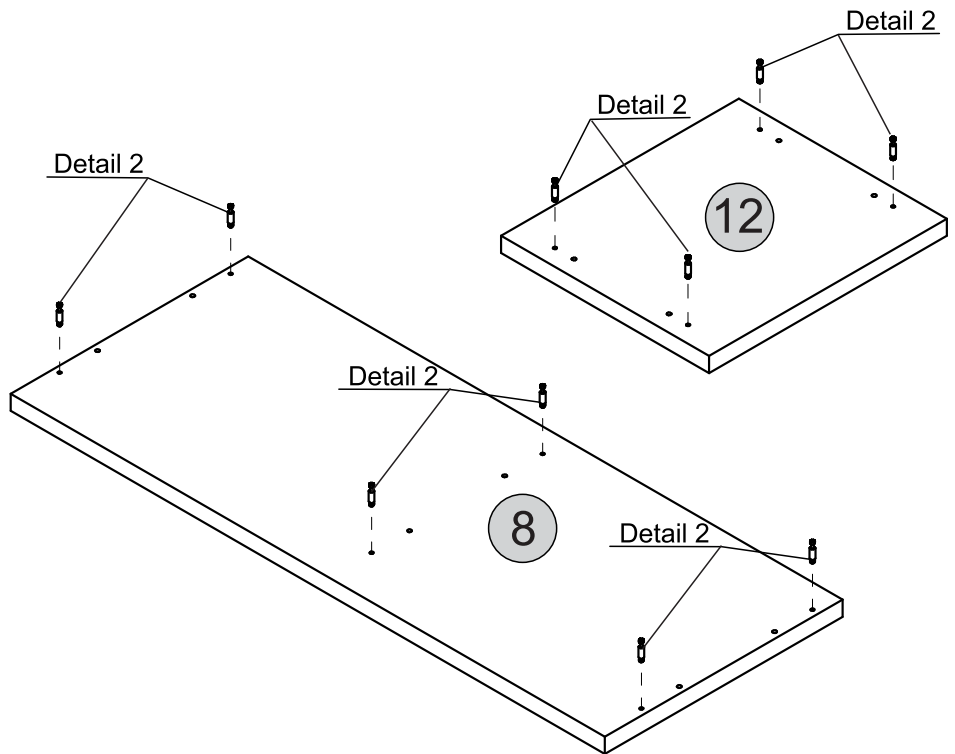
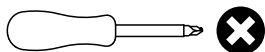
8 - TOP PANEL x1

12 - STOOL SEAT x1

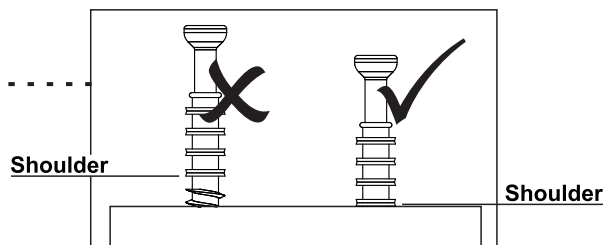
HARDWARE REQUIRED

J  10
Cam Bolt

TOOLS REQUIRED



Detail 2



Shoulder

Shoulder

STEP 3

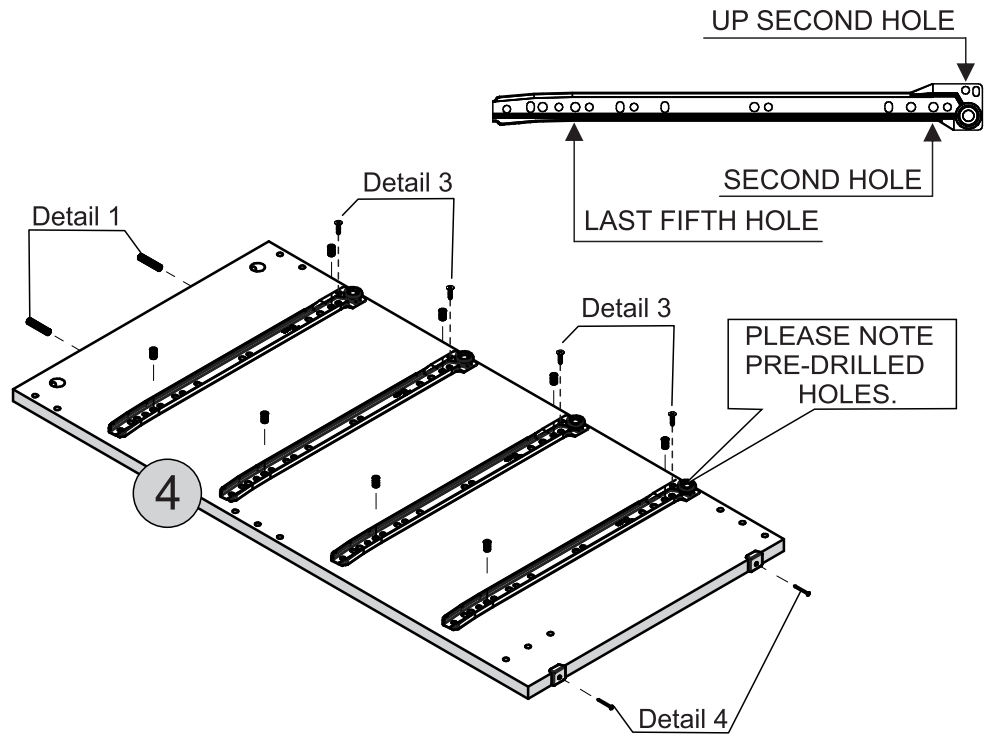
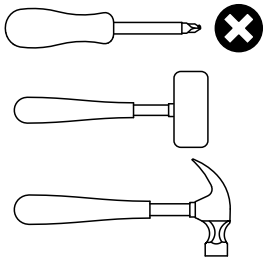
PARTS REQUIRED

4 - RIGHT CHEST SIDE PANEL x1

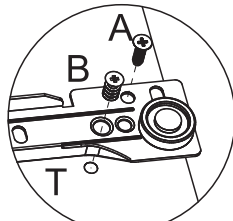
HARDWARE REQUIRED

A		04
B		08
G		02
H		02
N		02
P		01
T		04

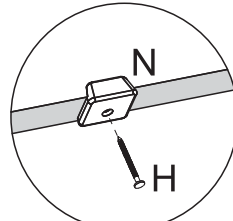
TOOLS REQUIRED



Detail 1



Detail 3



Detail 4

STEP 4

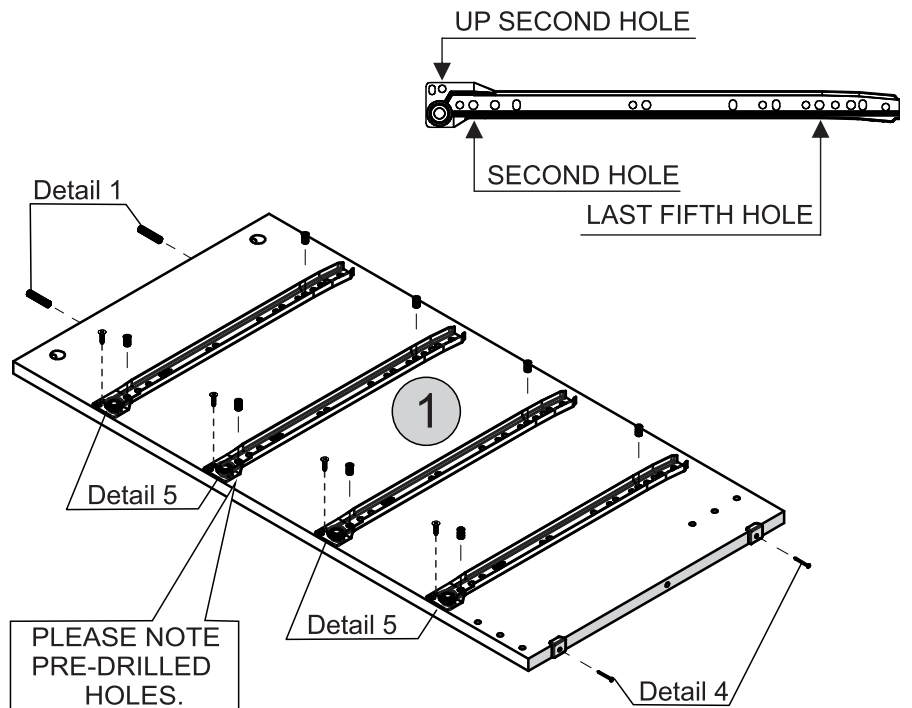
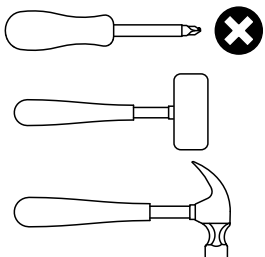
PARTS REQUIRED

1 - LEFT CHEST SIDE PANEL x1

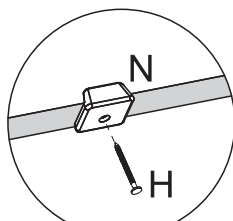
HARDWARE REQUIRED

A		04
B		08
G		02
H		02
N		02
P		01
T		04

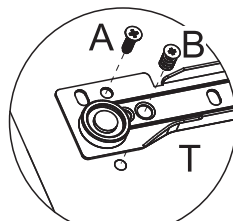
TOOLS REQUIRED



Detail 1



Detail 4



Detail 5


STEP 5

PARTS REQUIRED

7 - RIGHT TABLE SIDE PANEL x1

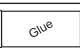
10 - STOOL SIDE PANEL x2

HARDWARE REQUIRED

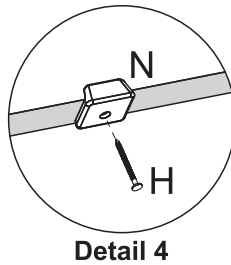
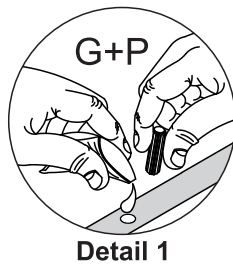
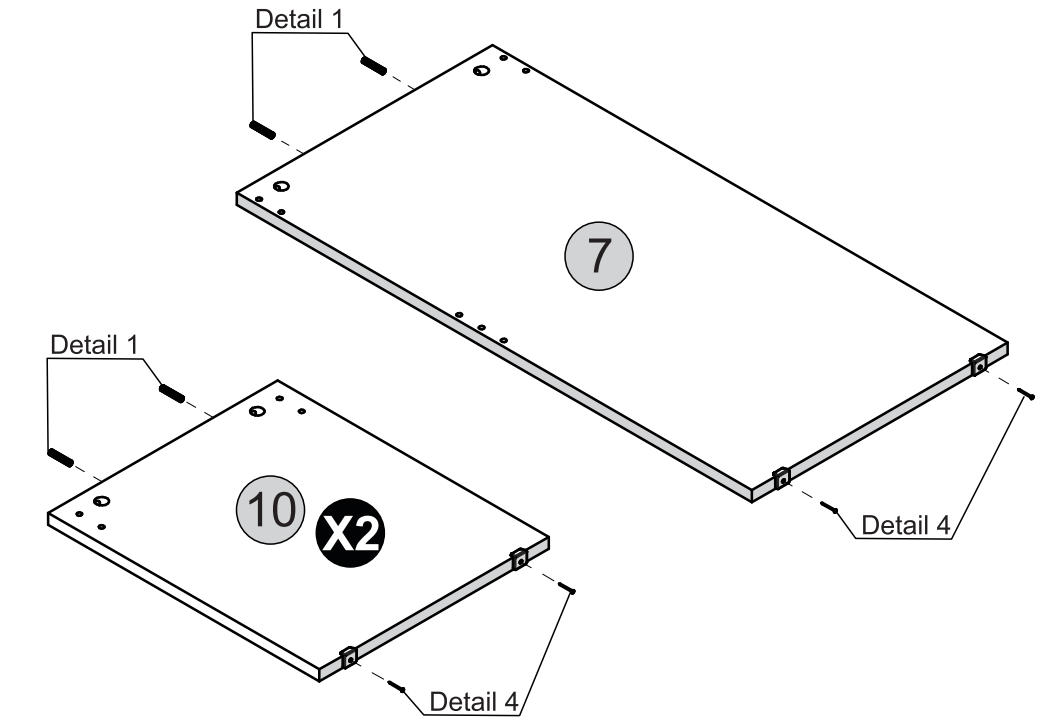
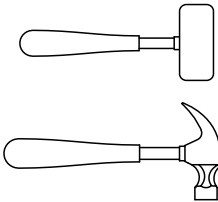
G  06
Ø6,0 x 30mm

H  06

N  06

P  01

TOOLS REQUIRED



STEP 6

PARTS REQUIRED


1 - LEFT CHEST SIDE PANEL x1

2 - FRONT BASEBOARD x1

3 - BACK BASEBOARD x1

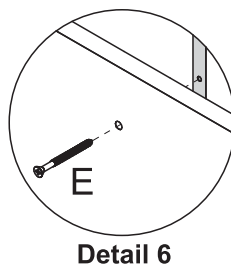
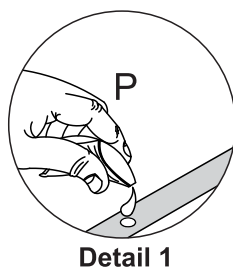
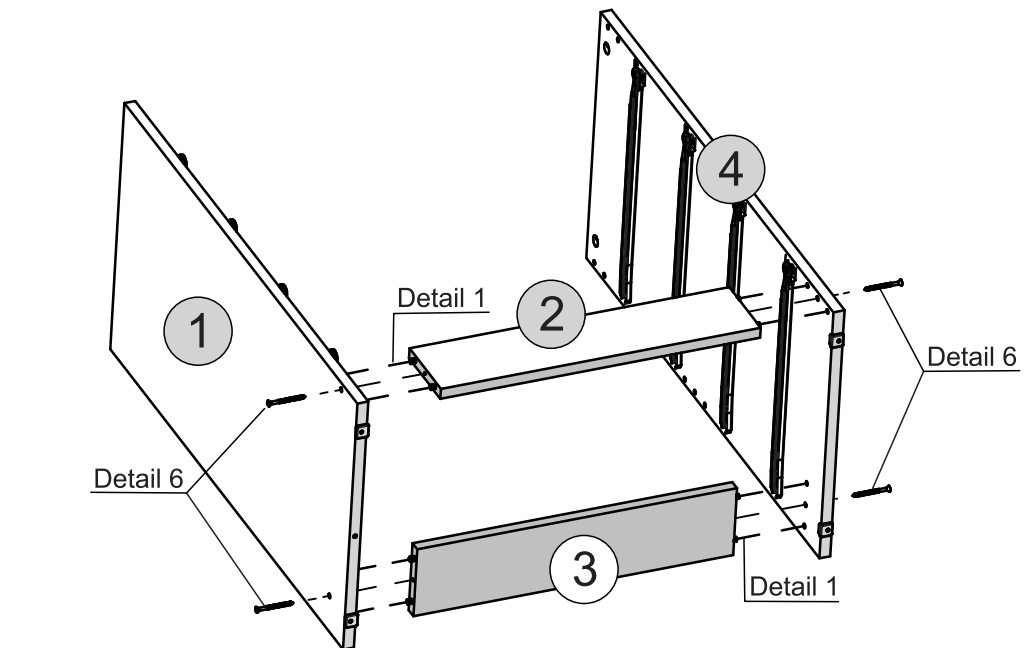
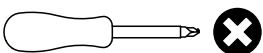
4 - RIGHT CHEST SIDE PANEL x1

HARDWARE REQUIRED

E  04
Ø4,0 x 50mm

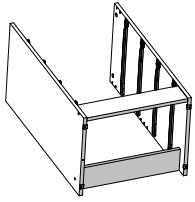
P  01

TOOLS REQUIRED



STEP 7

PARTS REQUIRED





5 - BACK CROSSBAR x1

6 - UPPER CROSSBAR x2

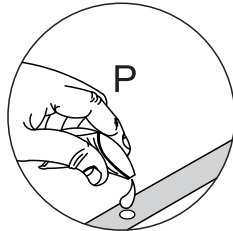
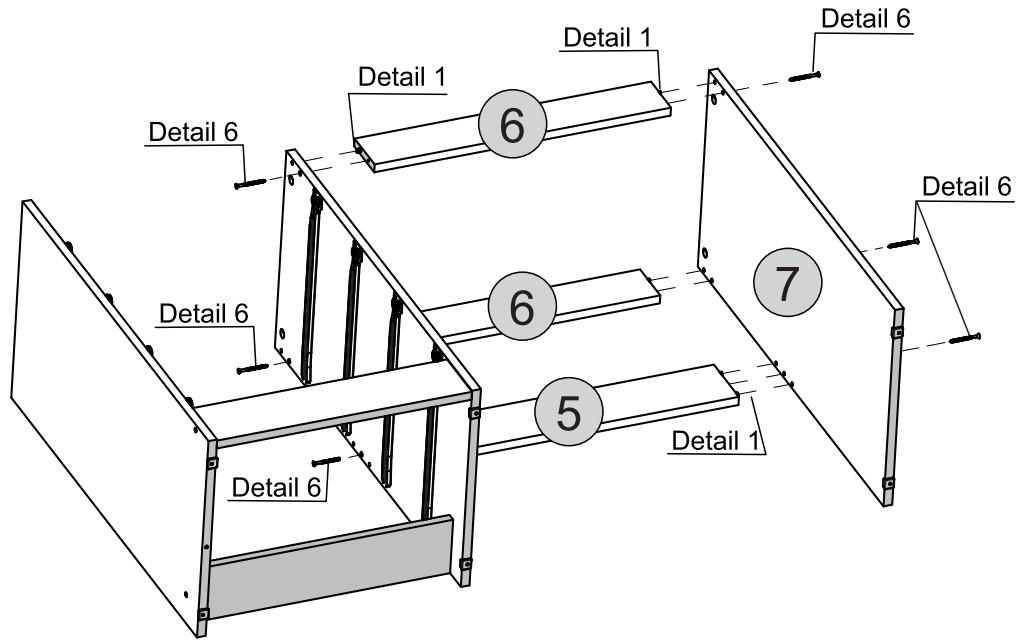
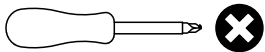
7 - RIGHT TABLE SIDE PANEL x1

HARDWARE REQUIRED

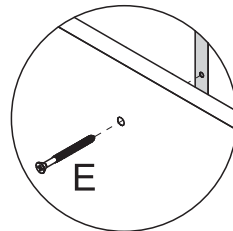
E  06
Ø4,0 x 50mm

P  01

TOOLS REQUIRED



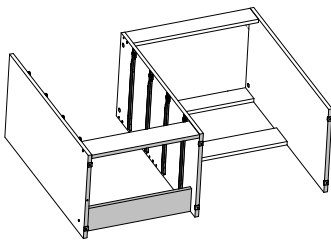
Detail 1



Detail 6

STEP 8


PARTS REQUIRED



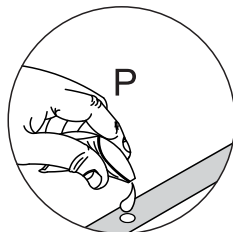
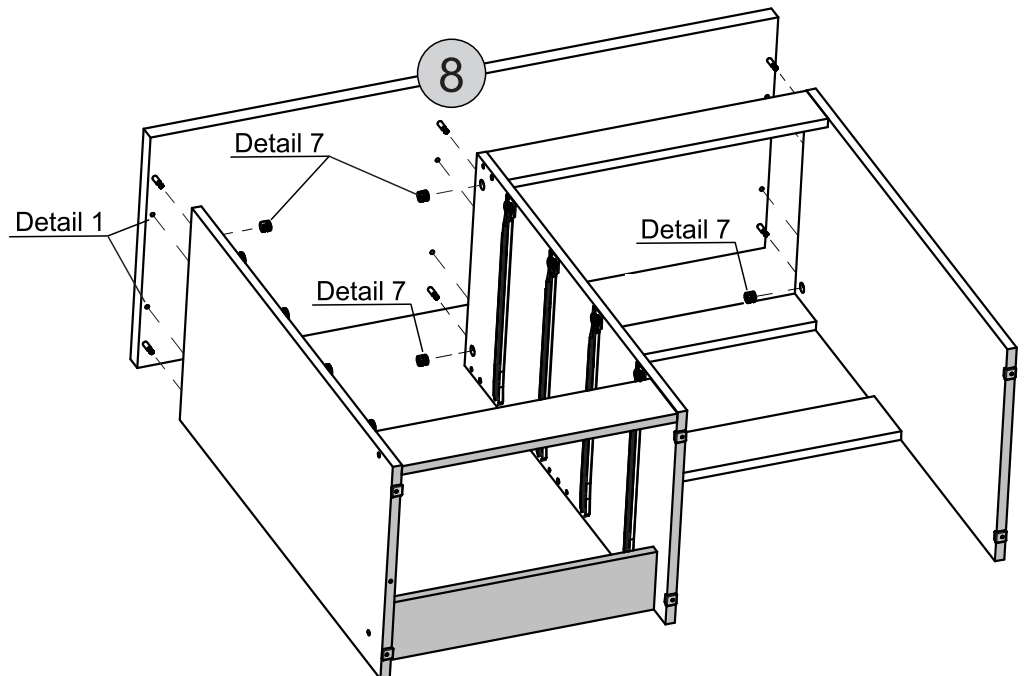
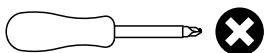
8 - TOP PANEL x1

HARDWARE REQUIRED

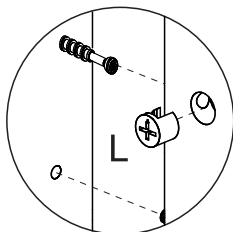
L  06

P  01

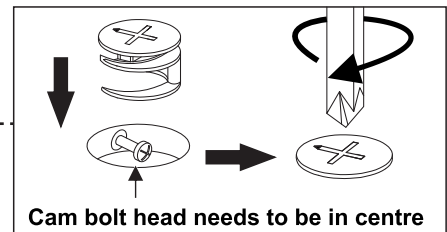
TOOLS REQUIRED



Detail 1



Detail 7




STEP 9

PARTS REQUIRED

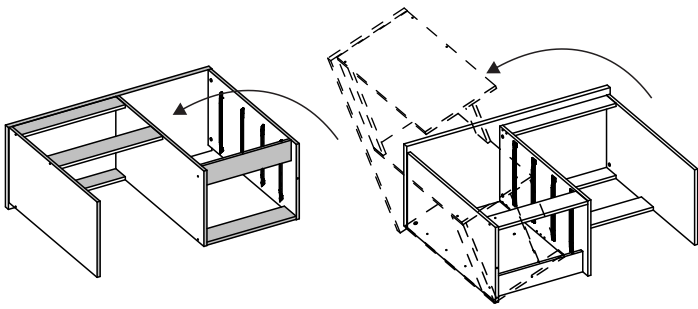
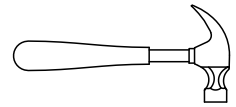
9 - BACK PANEL x2

HARDWARE REQUIRED

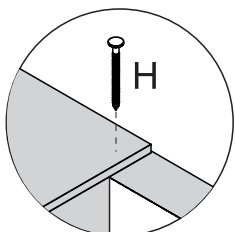
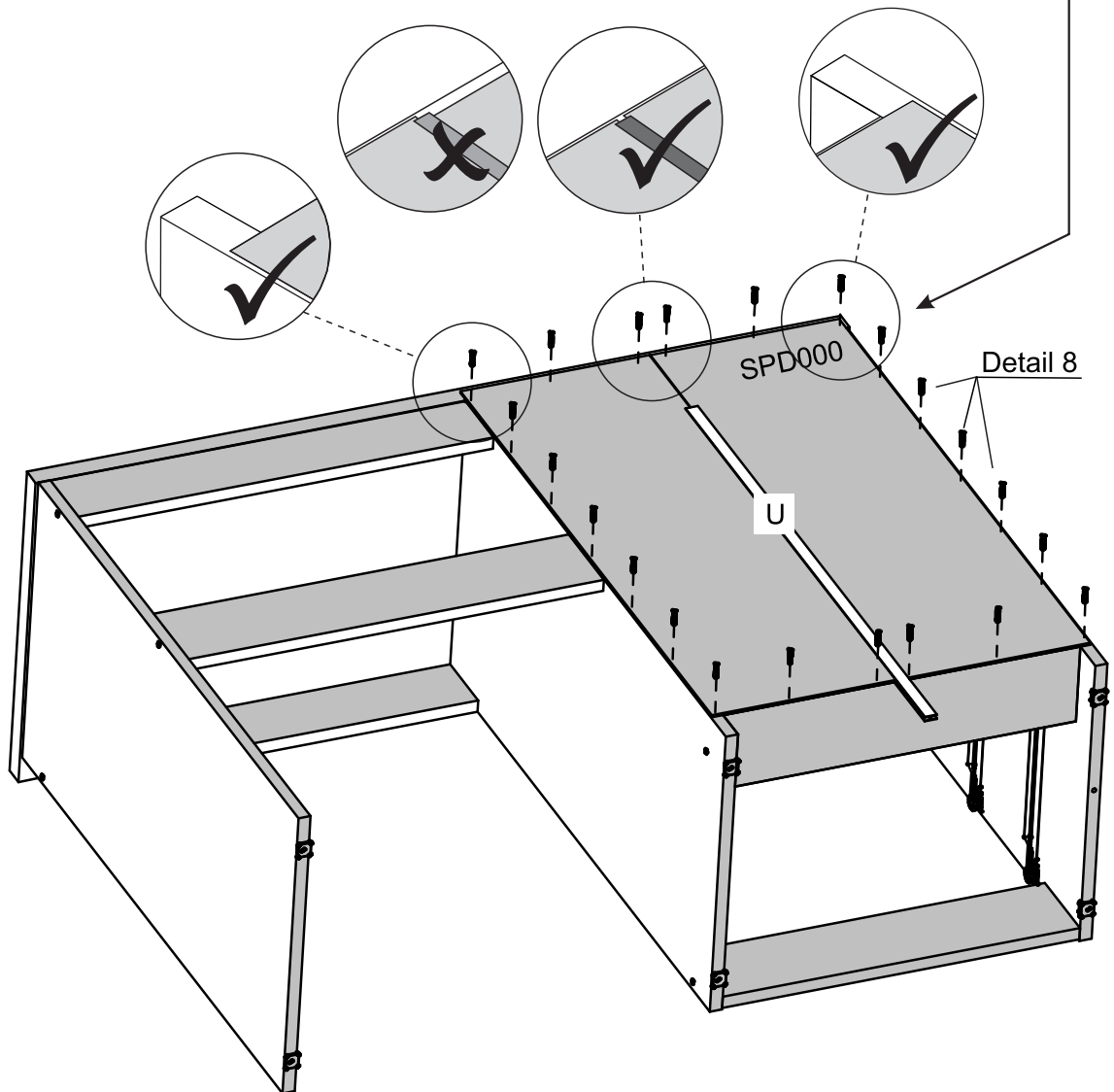
H  22
10 x 10

U  01

TOOLS REQUIRED



* For your future reference
Order Number should be here



Detail 8

STEP 10

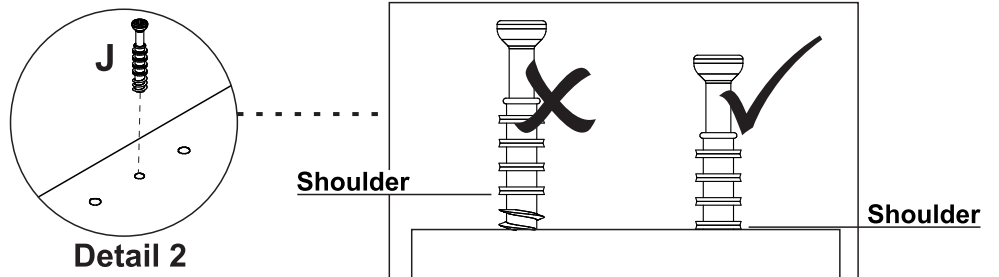
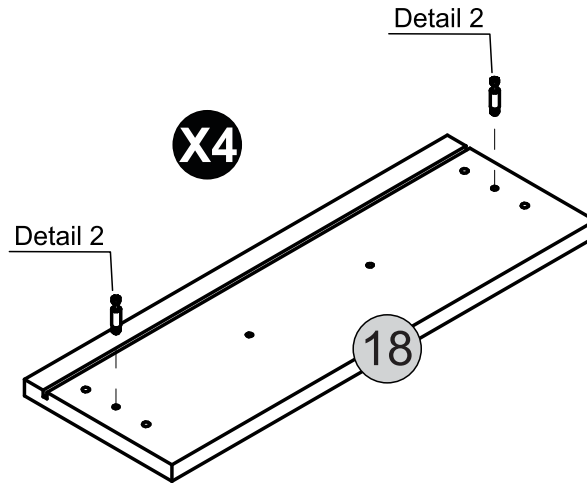
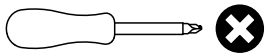
PARTS REQUIRED

18 - DRAWER FRONT x4

HARDWARE REQUIRED

J  08

TOOLS REQUIRED




STEP 11

PARTS REQUIRED

16 - DRAWER SIDE x8

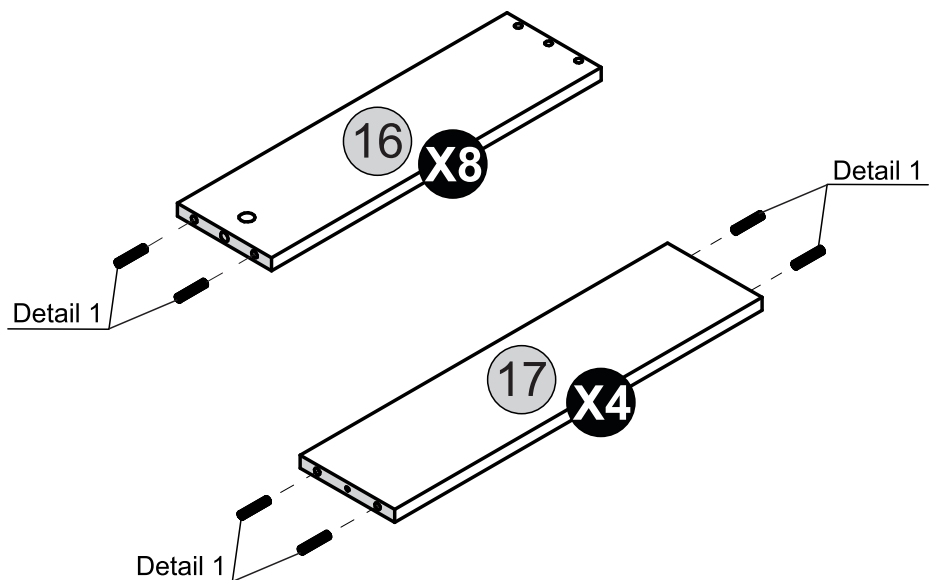
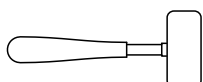
17 - DRAWER BACK x4

HARDWARE REQUIRED

G  32
Ø6.0 x 30mm

P  01

TOOLS REQUIRED



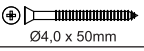
STEP 12

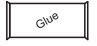
PARTS REQUIRED

16 - DRAWER SIDE x8

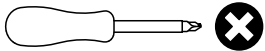
17 - DRAWER BACK x4

HARDWARE REQUIRED

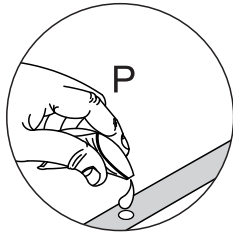
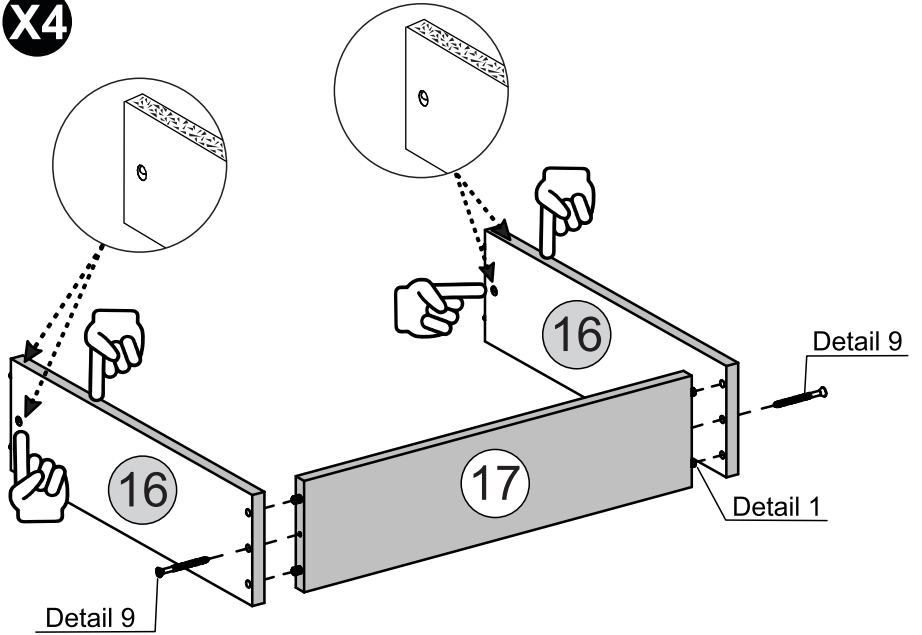
E  08
Ø4,0 x 50mm

P  01

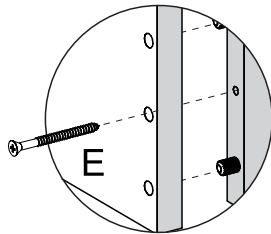
TOOLS REQUIRED



X4



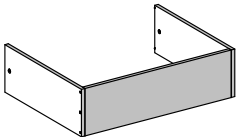
Detail 1



Detail 9

STEP 13

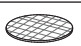
PARTS REQUIRED

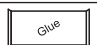


18 - DRAWER FRONT x4

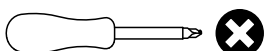
HARDWARE REQUIRED

M  08

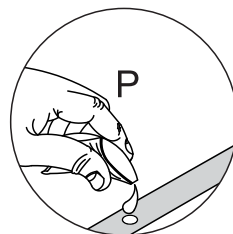
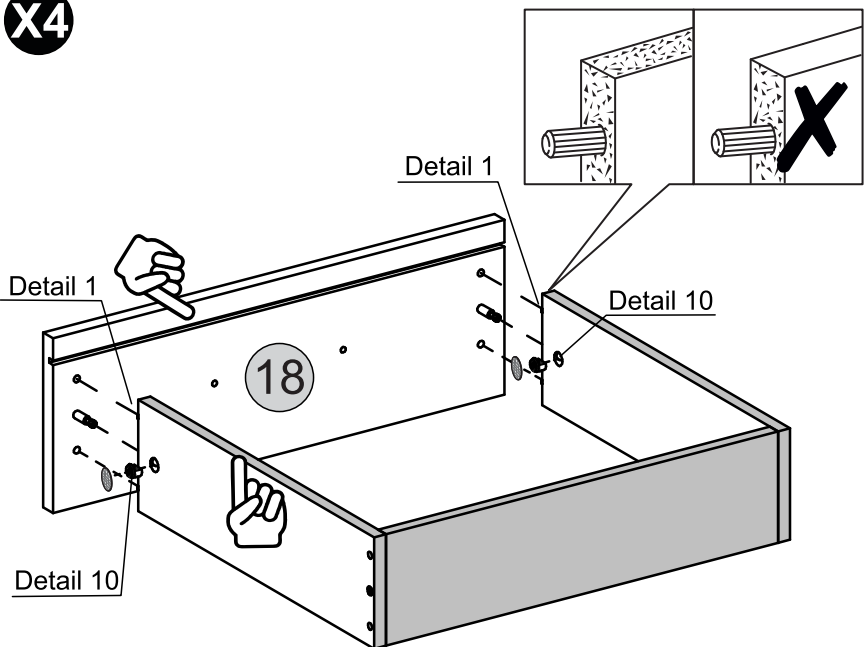
V  08

P  01

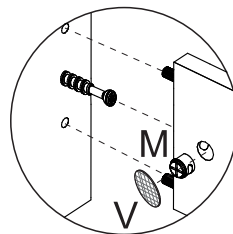
TOOLS REQUIRED



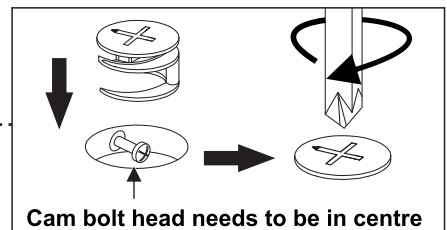
X4



Detail 1



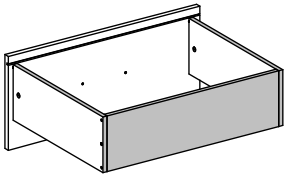
Detail 10



Cam bolt head needs to be in centre

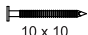
STEP 14

PARTS REQUIRED

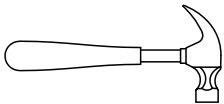


19 - DRAWER BOTTOM x4

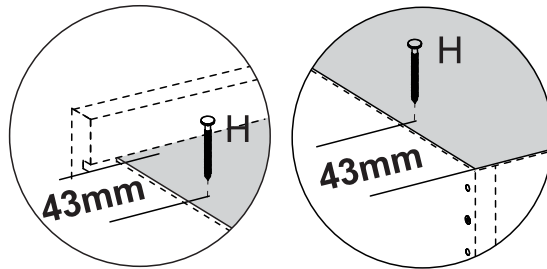
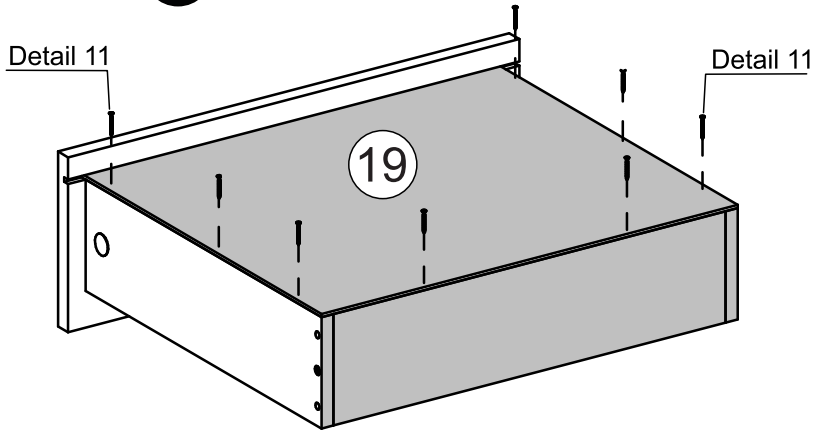
HARDWARE REQUIRED

H  10 x 10 32

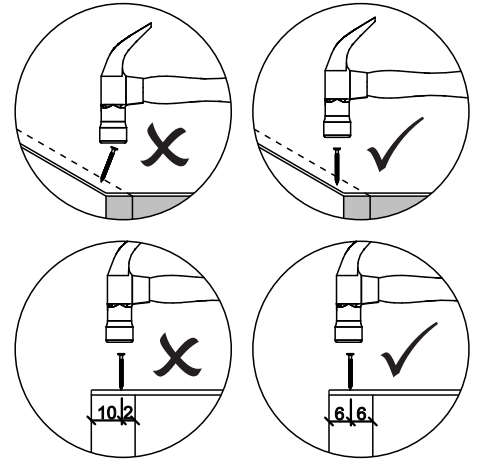
TOOLS REQUIRED



X4

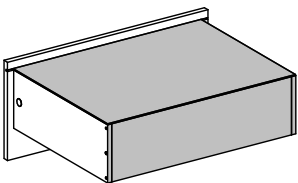


Detail 11

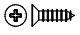


STEP 15

PARTS REQUIRED



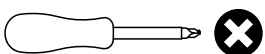
HARDWARE REQUIRED

A  16
Ø4.0 x 14mm

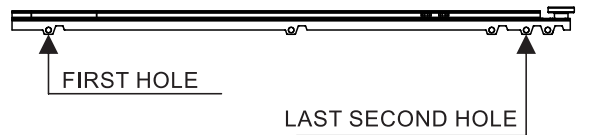
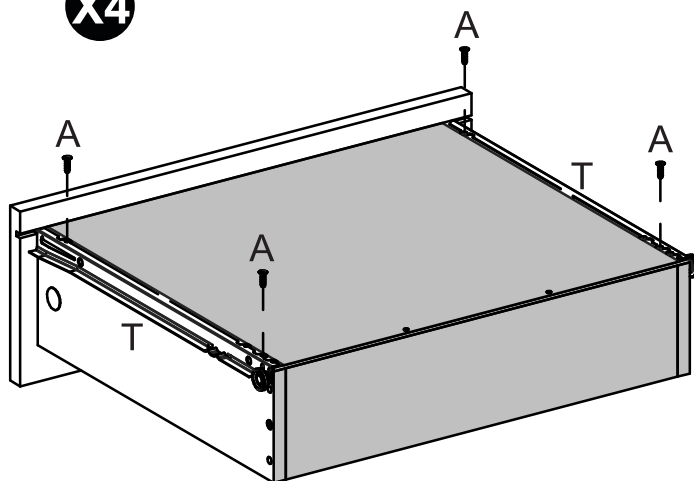
T  04
LEFT

T  04
RIGHT

TOOLS REQUIRED

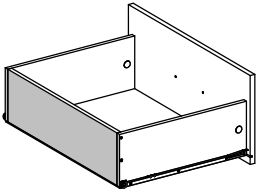


X4

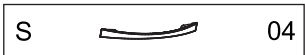


STEP 16

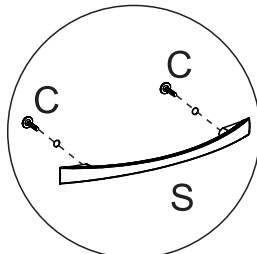
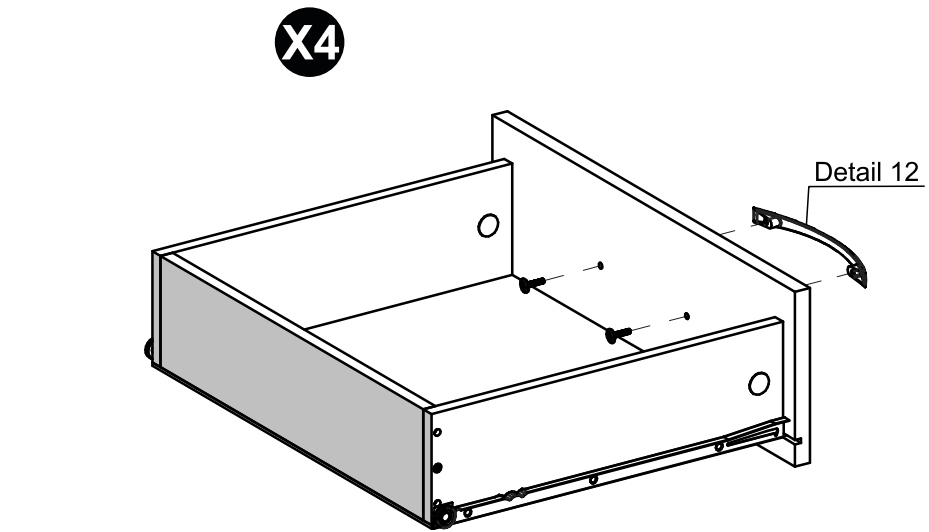
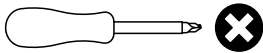
PARTS REQUIRED



HARDWARE REQUIRED



TOOLS REQUIRED



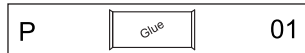
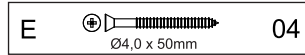
Detail 12

STEP 17

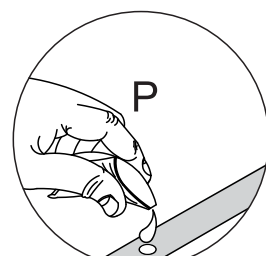
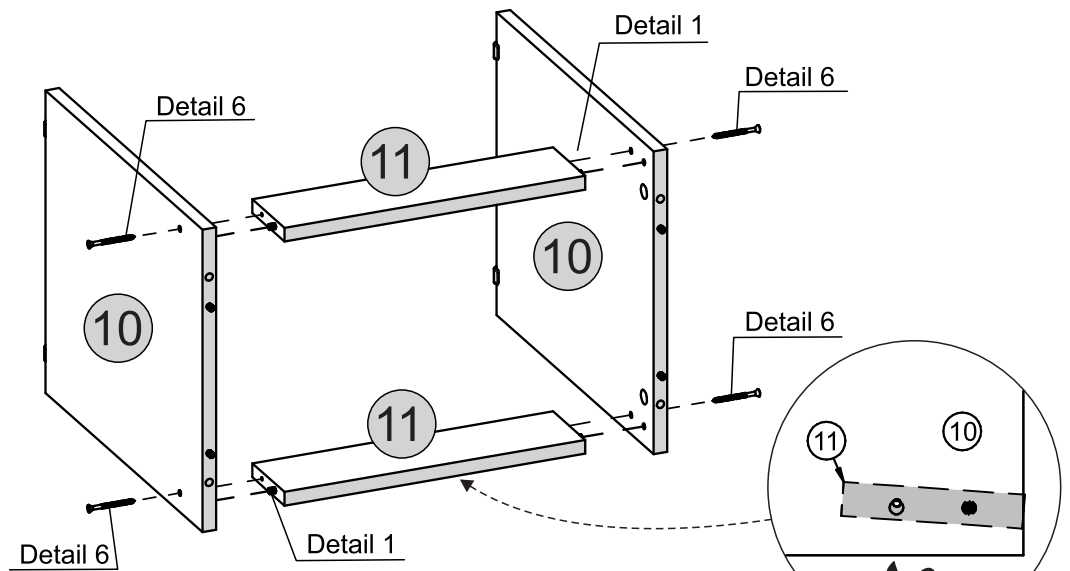
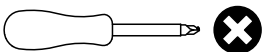
PARTS REQUIRED



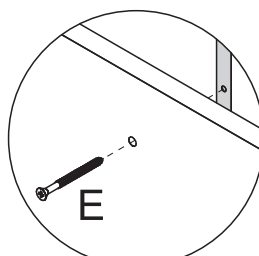
HARDWARE REQUIRED



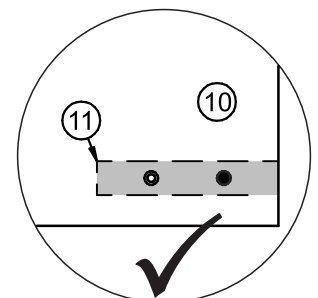
TOOLS REQUIRED



Detail 1

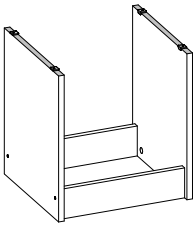


Detail 6



STEP 18

PARTS REQUIRED



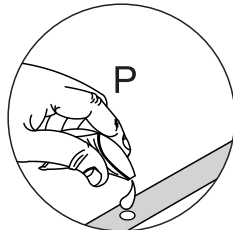
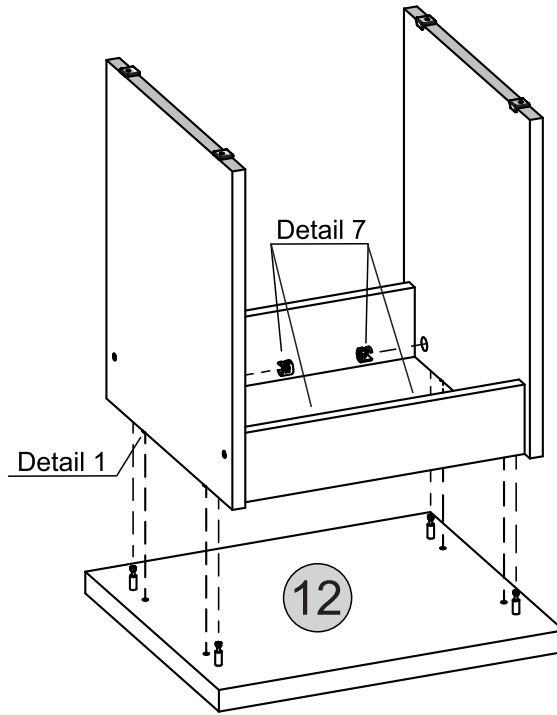
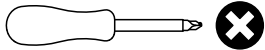
12 - STOOL SEAT x1

HARDWARE REQUIRED

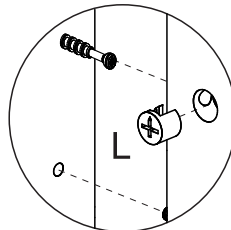
L 04

P 01

TOOLS REQUIRED



Detail 1



Detail 7

STEP 19

PARTS REQUIRED

13 - MIRROR BASE PANEL x1

14 - MIRROR SIDE PANEL x2

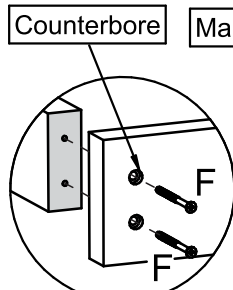
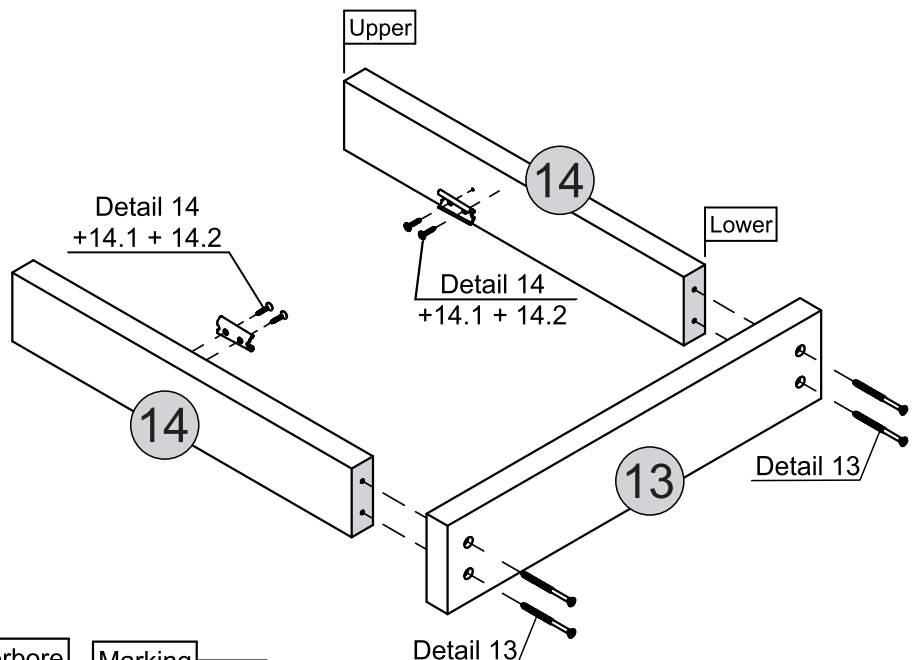
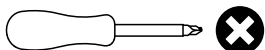
HARDWARE REQUIRED

F Ø4,5 x 60mm 04

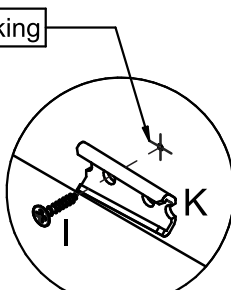
I Ø3,0 x 16mm 04

K 02

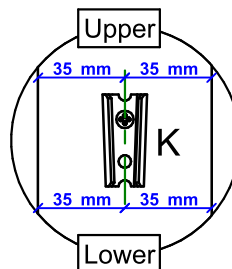
TOOLS REQUIRED



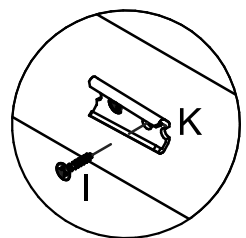
Detail 13



Detail 14



Detail 14.1



Detail 14.2

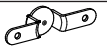
STEP 20

PARTS REQUIRED

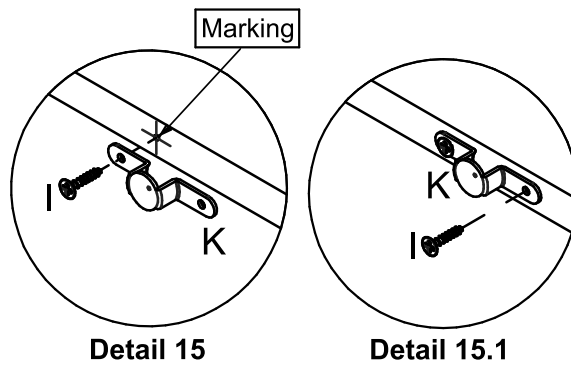
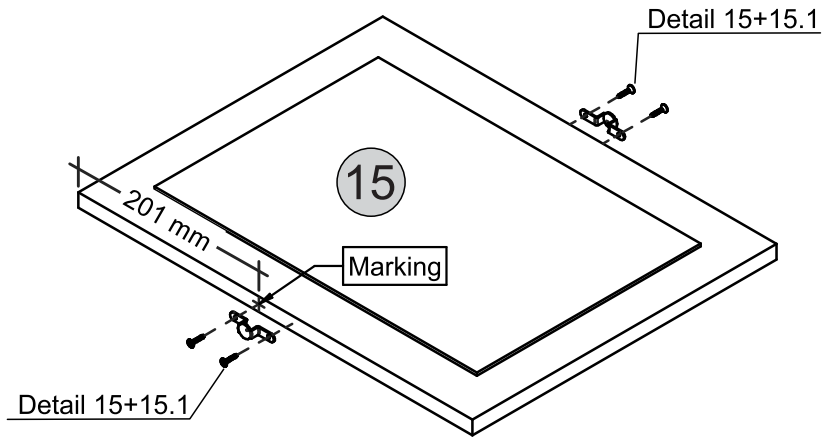
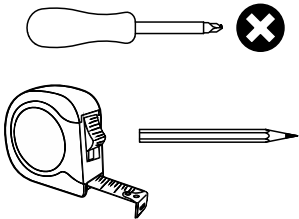
15 - MIRROR PANEL x1

HARDWARE REQUIRED

I  04
Ø3,0 x 16mm

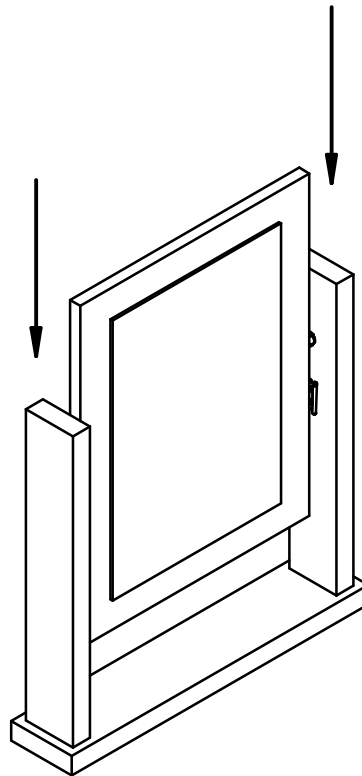
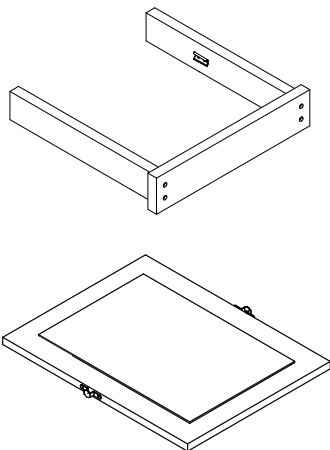
K  02

TOOLS REQUIRED



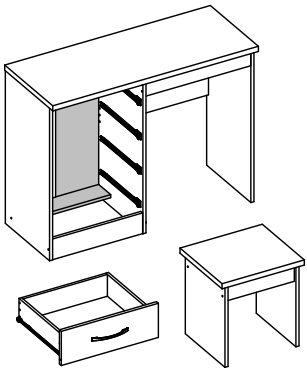
STEP 21

PARTS REQUIRED



STEP 22

PARTS REQUIRED

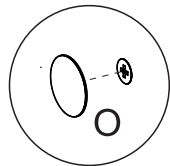
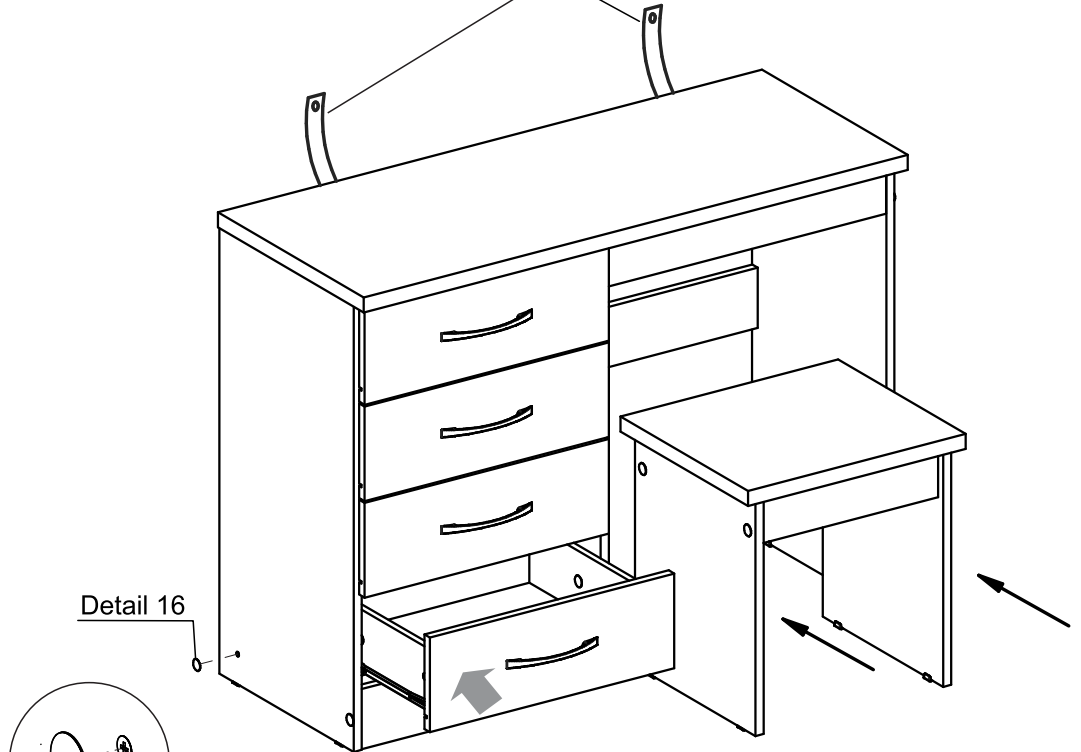


HARDWARE REQUIRED



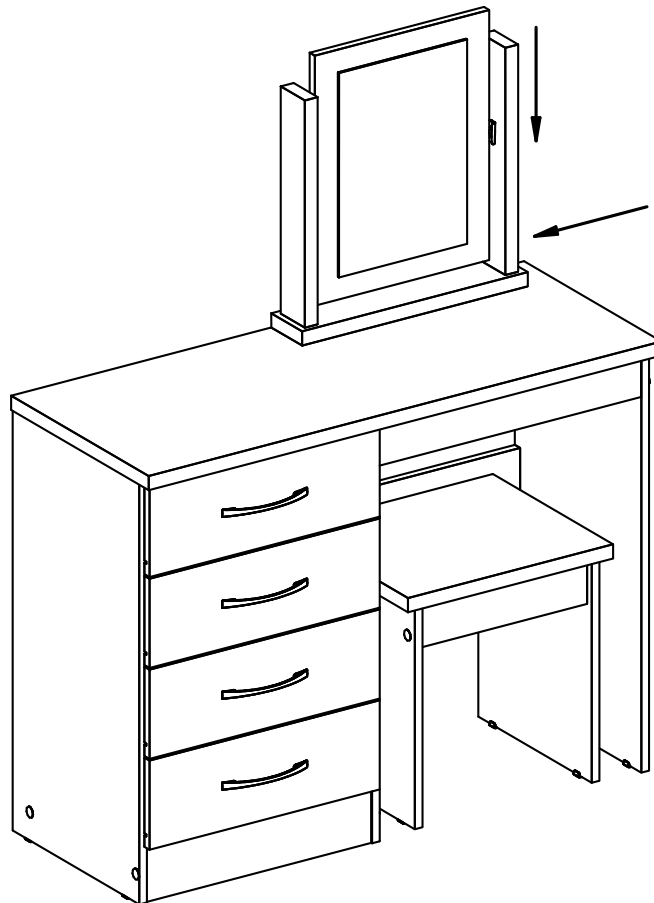
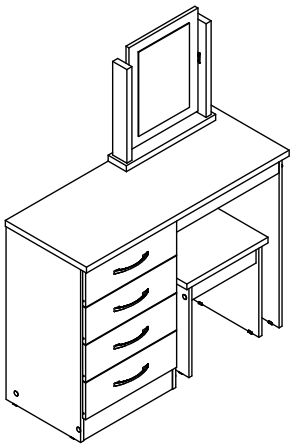
TIP
If desired, after assembly use an alcohol cleaner to erase the number printed on the parts.


See the last page



Detail 16

STEP 23



WARNING

Serious or fatal injuries can occur from furniture tipping over. To prevent the furniture from tipping over we recommend that it is permanently fixed to the wall.

Wall fixings are not supplied with this product as different wall materials require different types of fixing devices. Please make sure you use fixings suitable for the walls in your home.

