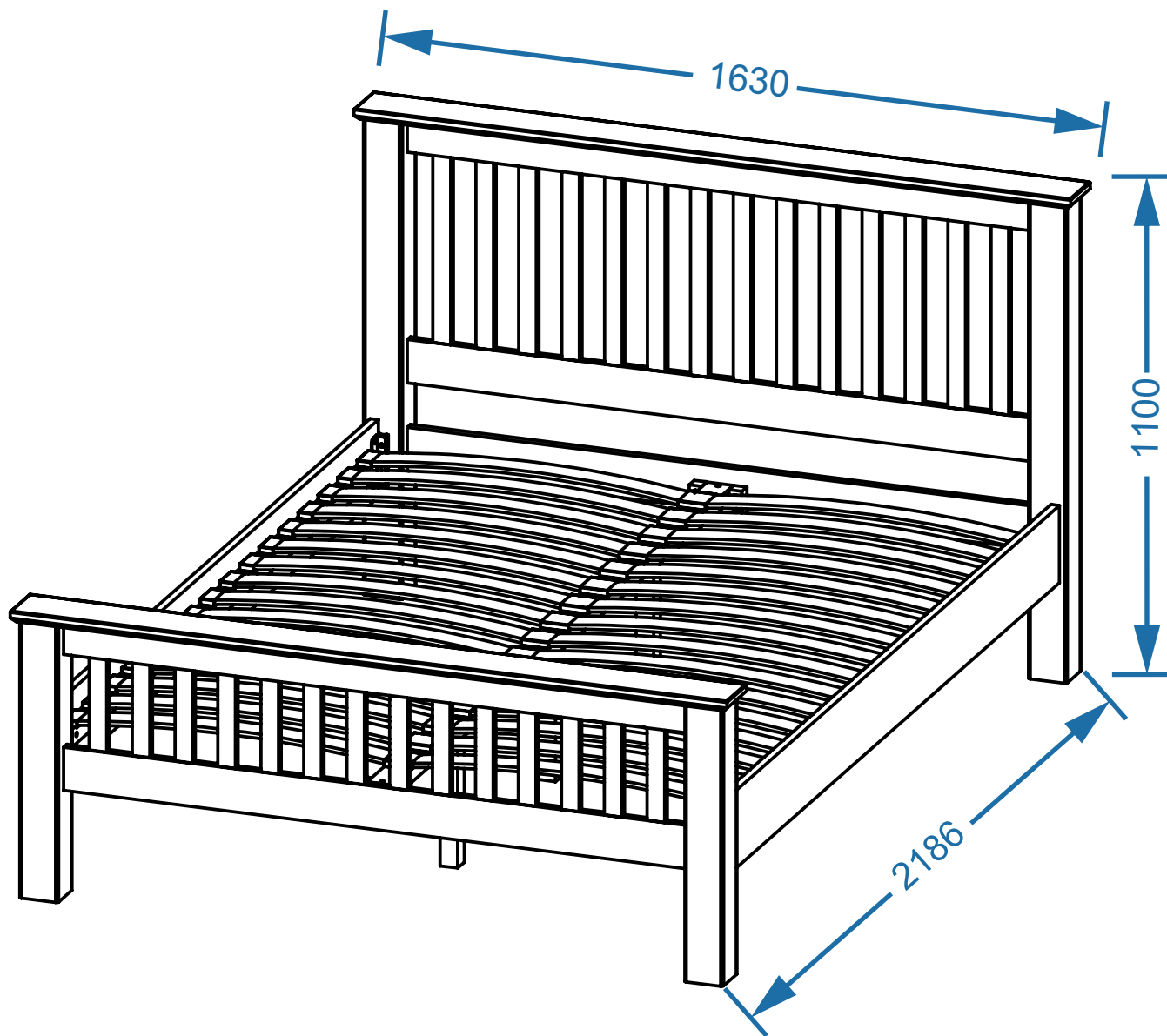
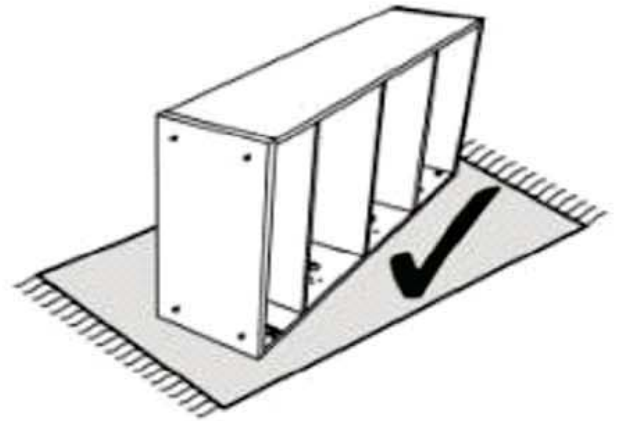
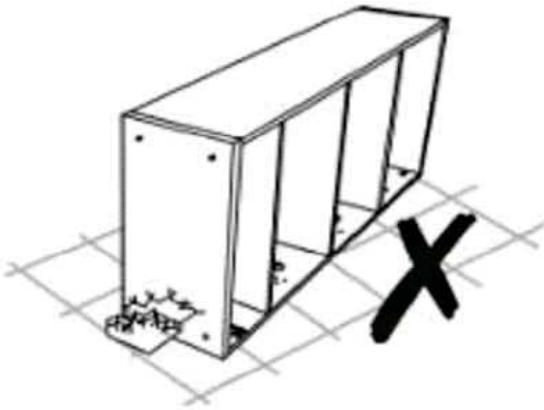
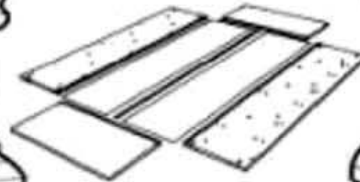
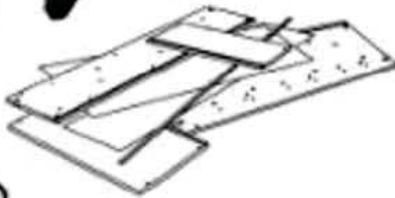
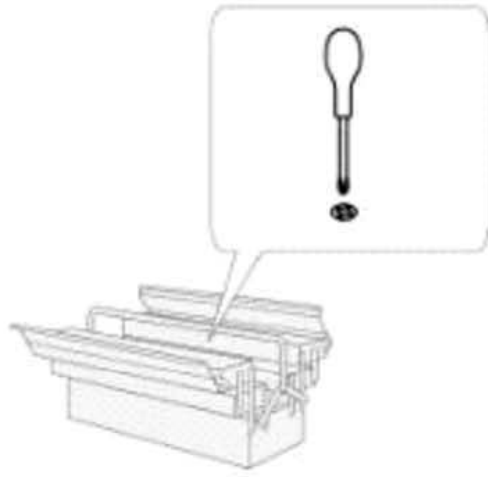


HIGH FOOT END BED 150CM ASSEMBLY INSTRUCTIONS

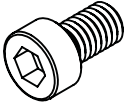




CUSTOMER SERVICE
(01623 727374)

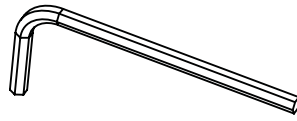
HARDWARE

A



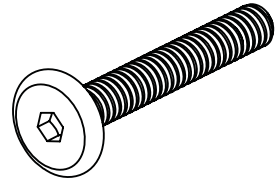
8x
M6 X 10 mm

B



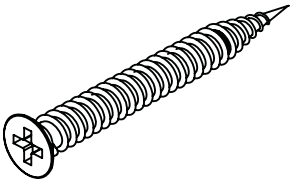
1x
4 mm

C



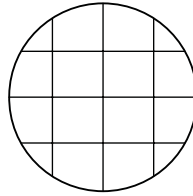
3x
M6 x 40 mm

D



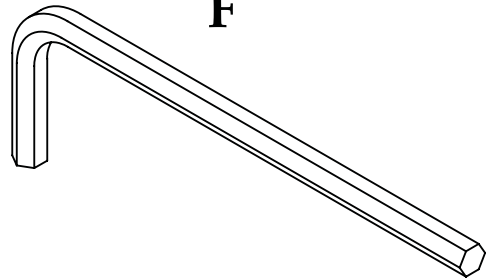
2x
M4 x 30 mm

E



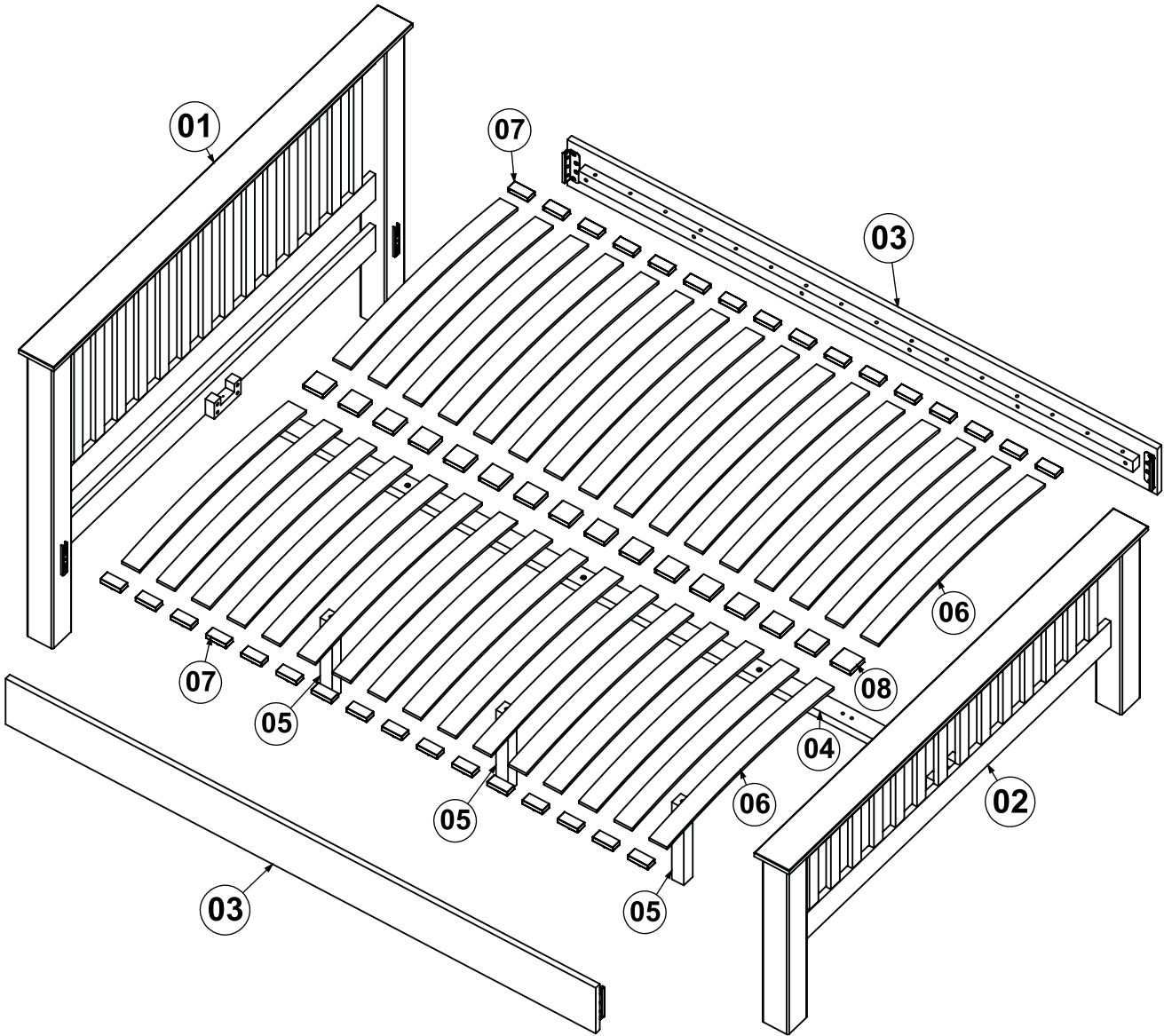
7 x

F



1x
5 mm

PARTS



Safety Advice

Please take the time to carefully read through the whole of these instructions before you commence.

Keep these instructions for future reference.

Unpack, inspect and check off all of the contents.

Please dispose of all packaging safely.

Small component parts could choke a child if swallowed.

We strongly recommend that you keep children well away from the work area.

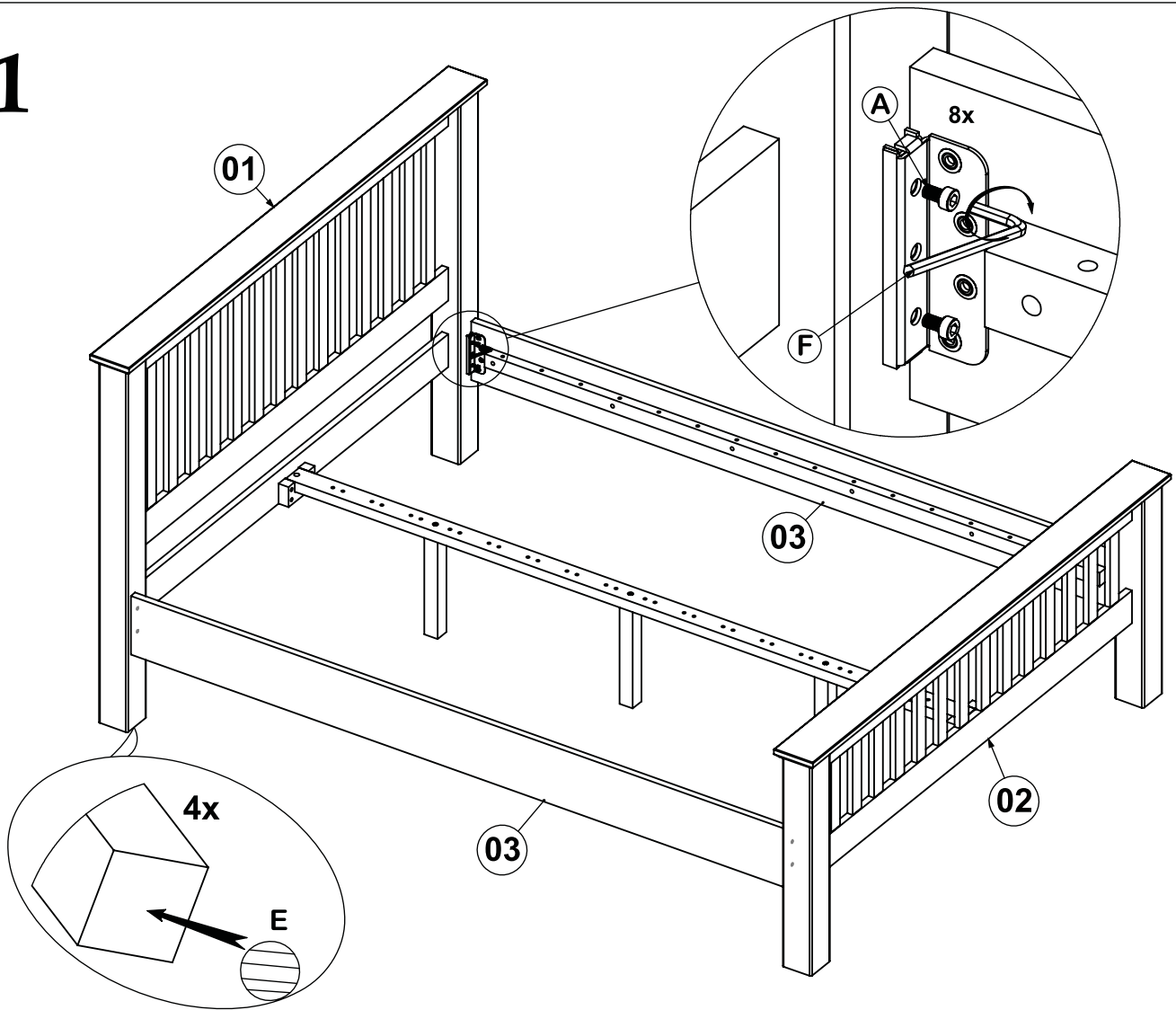
It would be sensible to lay a sheet or blanket on the floor where you intend to work to avoid scratching this product and to protect your floor.

This product is heavy. Take extreme care when lifting to avoid personal injury or damage to the product.

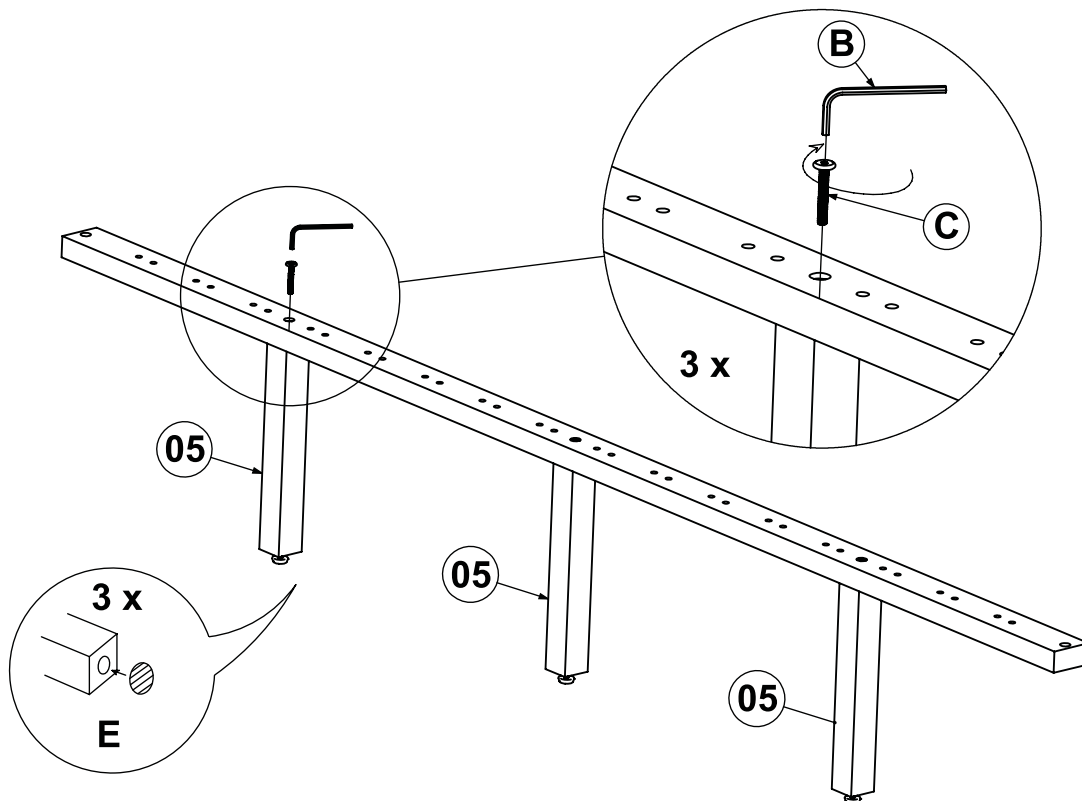
Assemble the product as close to its intended final position in the room as possible.

HANDY HINT: If you keep the hardware in a bowl during assembly you will be less likely to lose them.

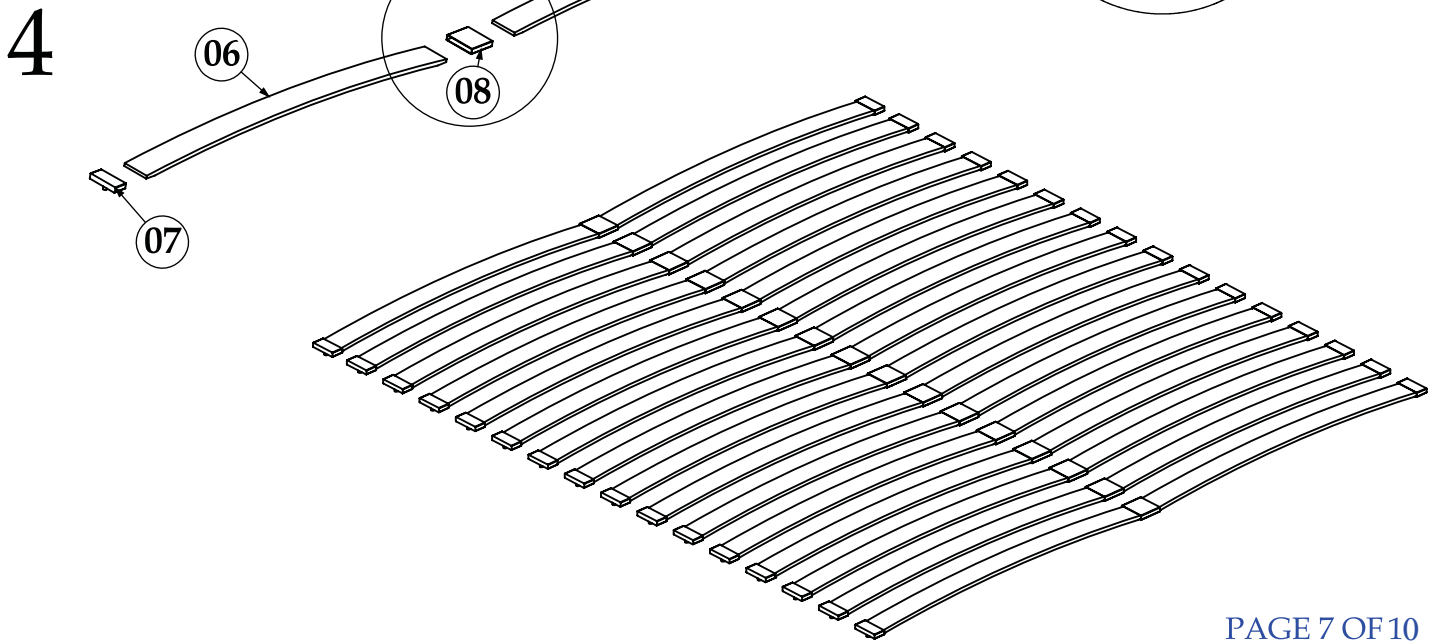
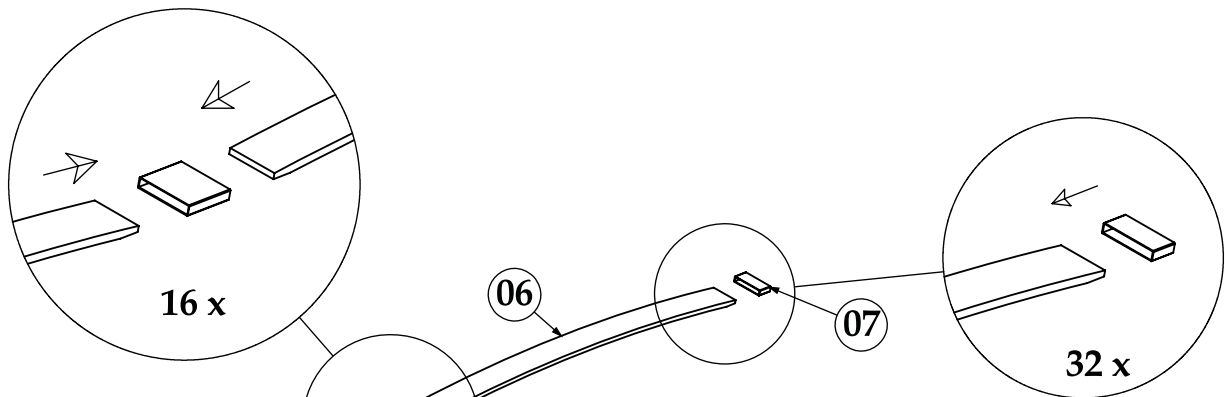
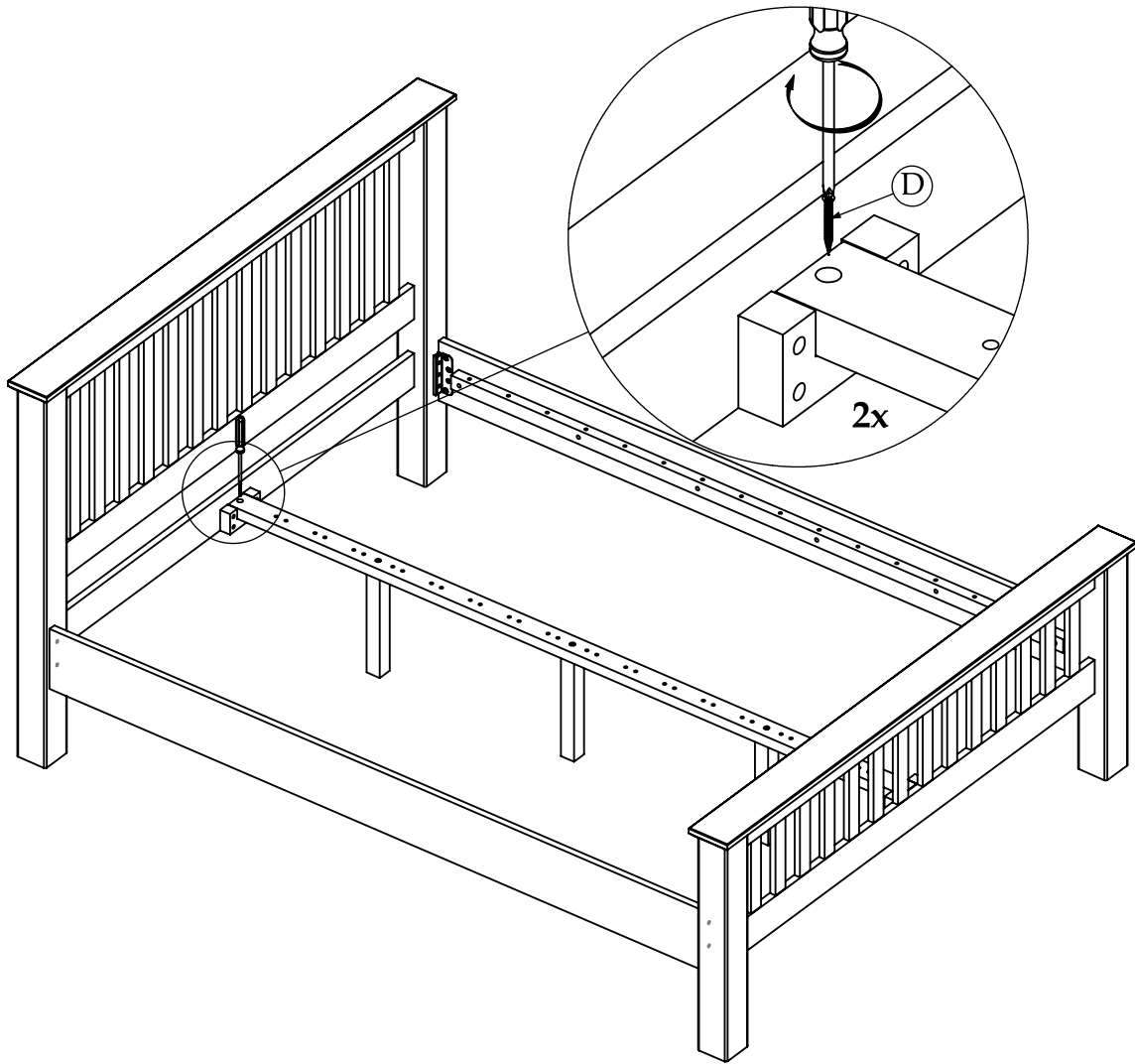
1



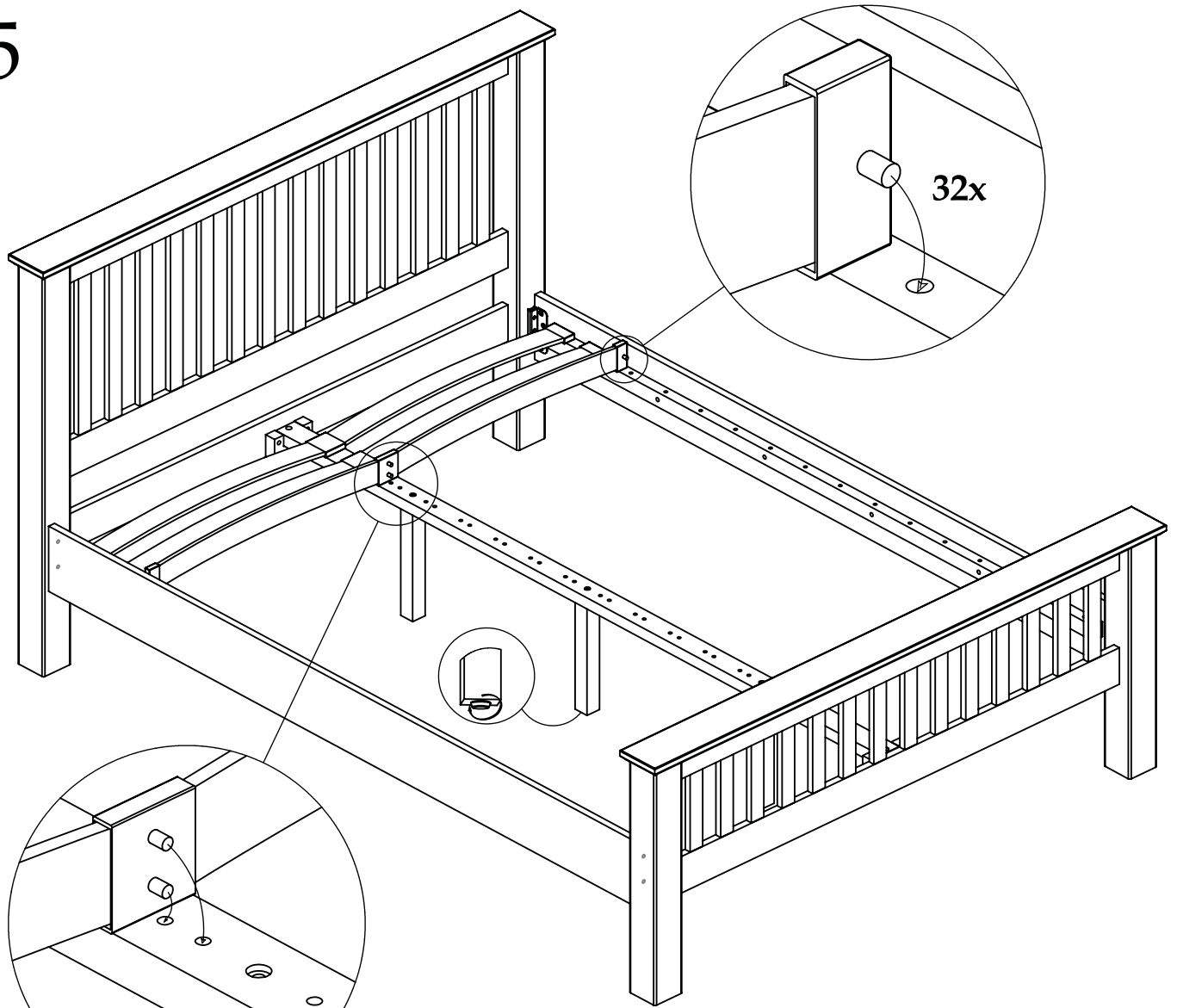
2



3



5

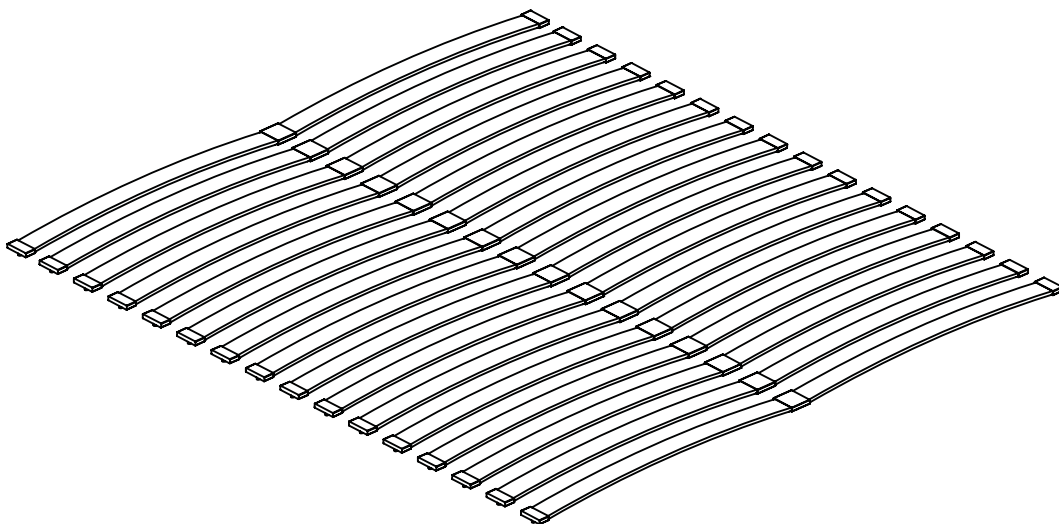


16x

URGENT WARNING

When correctly adjusted the centre support legs on this product should be raised by 5mm from the floor with the added weight of the mattress and bedding.

If the bed is to be moved, carefully lift the product rather than dragging to ensure that the centre legs do not become twisted and buckle.



General Care

Avoid the use of all household cleaners and abrasives.
When moving your furniture, carefully lift into place.
Never drag or push the pieces across the floor as this will cause damage to the joints and could result in failure to the product that will invalidate the warranty.

Recommendations

Periodical re-tightening of fixings.

Warning

This unit is heavy. Please use an assistant when lifting.

Notes

We've tried to make this piece of furniture as easy to assemble as possible. In the unlikely event that you have problems putting it together or have damaged or missing pieces, please contact our customer services on 01623 727374

Caring for your new Waxed Oak Furniture

The Oak Furniture range is pre-treated with wax. Over time and from general use it is common for the furniture to dry out whether this be in patches or larger areas.

We therefore advise you use a suitable Beeswax Polish which is readily available at well-known DIY stores, supermarkets and online retailers which will help protect and nourish the furniture.

To apply the Beeswax Polish (Wax or Spray):

1. Ensure the surface you're going to treat is clean and dry.
2. Use a soft clean cloth, sponge or brush and apply sparingly in small areas, following the wood grain where possible.
3. If Beeswax Polish spray is used ensure that ALL excess wax is completely wiped away, while still following the grain.
4. To obtain a uniform colour, always wipe evenly, blending the Beeswax Polish over the whole surface area by exerting a small degree of pressure when applying by hand.
5. After applying the wax, leave to dry for around 3 minutes and buff to finish with a soft, clean cloth.
6. Take care to lightly remove any excess Beeswax Polish with a separate, clean absorbent cloth, again following the direction of the grain pattern.
7. Should a spray be used buff immediately with a soft clean cloth.

We would advise that the furniture be waxed at least twice a year to keep it looking new and fresh.

For any further information please feel free to contact our Customer Service Team on 01623 727374