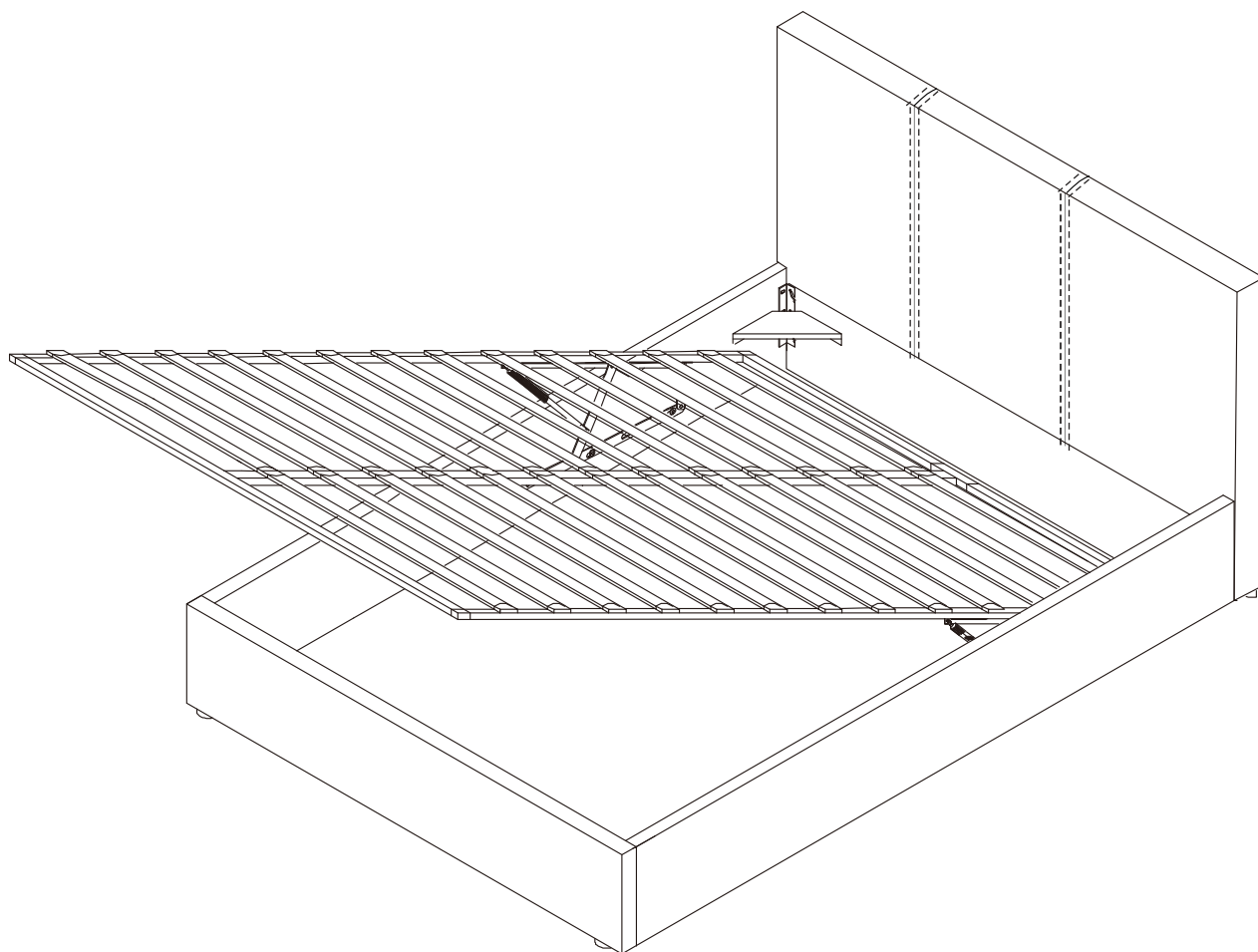


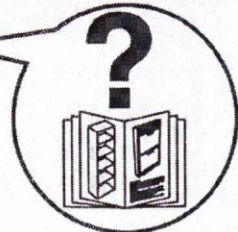
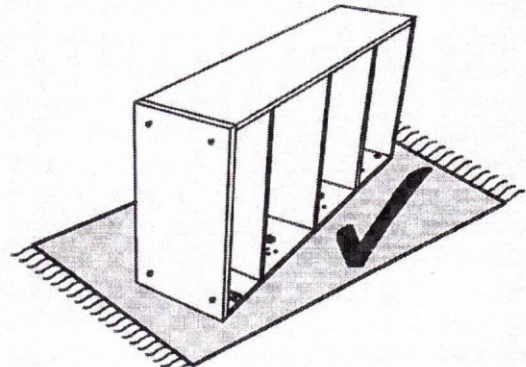
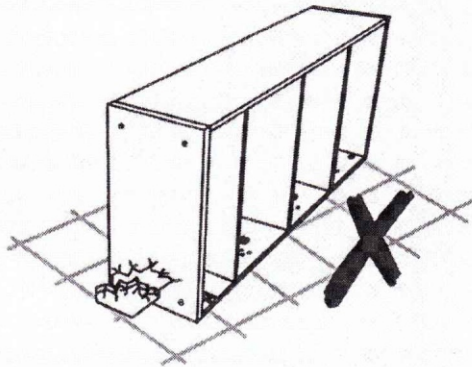
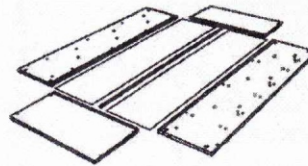
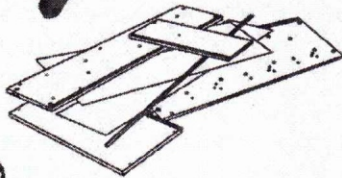
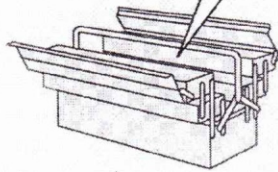
FABRIC STORAGE BED 135CM

Assembly Instructions





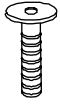
No Extra
Tools Required



(01623 727374)
Customer Services

HARDWARE

A



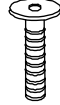
M8 x 25mm (12 PCS)

B



NUT (2 PCS)

C



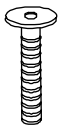
M6 x 30mm (6 PCS)

D



M6 x 15mm (12 PCS)

E



M6 x 68mm (2 PCS)

F



FLAT WASHER (12 PCS)

G



SPRING WASHER (12 PCS)

H



5mm ALLEN KEY (1 PC)

I



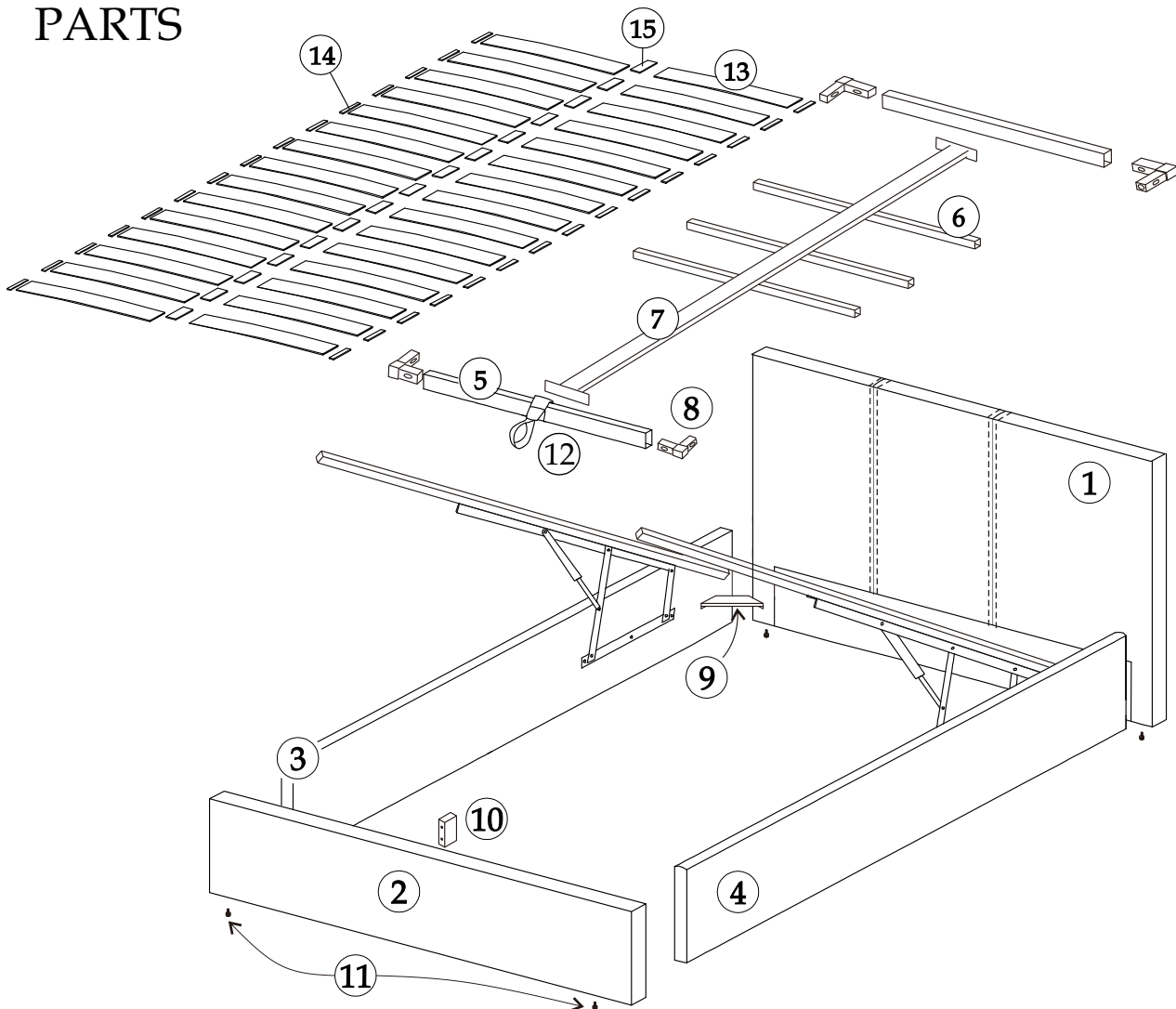
4mm ALLEN KEY (1 PC)

J



SPANNER (1 PC)

PARTS



Safety Advise

Please take the time to carefully read through the whole of these instructions before you commence.

Keep these instructions for future reference.

Unpack, inspect and check off all of the contents.

Please dispose of all packaging safely.

Small component part could choke a child if swallowed.

We strongly recommend that you keep children well away from the work area.

It would be sensible to lay a sheet or blanket on the floor where you intend to work to avoid scratching this product and to protect your floor.

This product is heavy. Take extreme care when lifting to avoid personal injury or damage to the product.

Assemble the product as close to its intended final position in the room as possible.

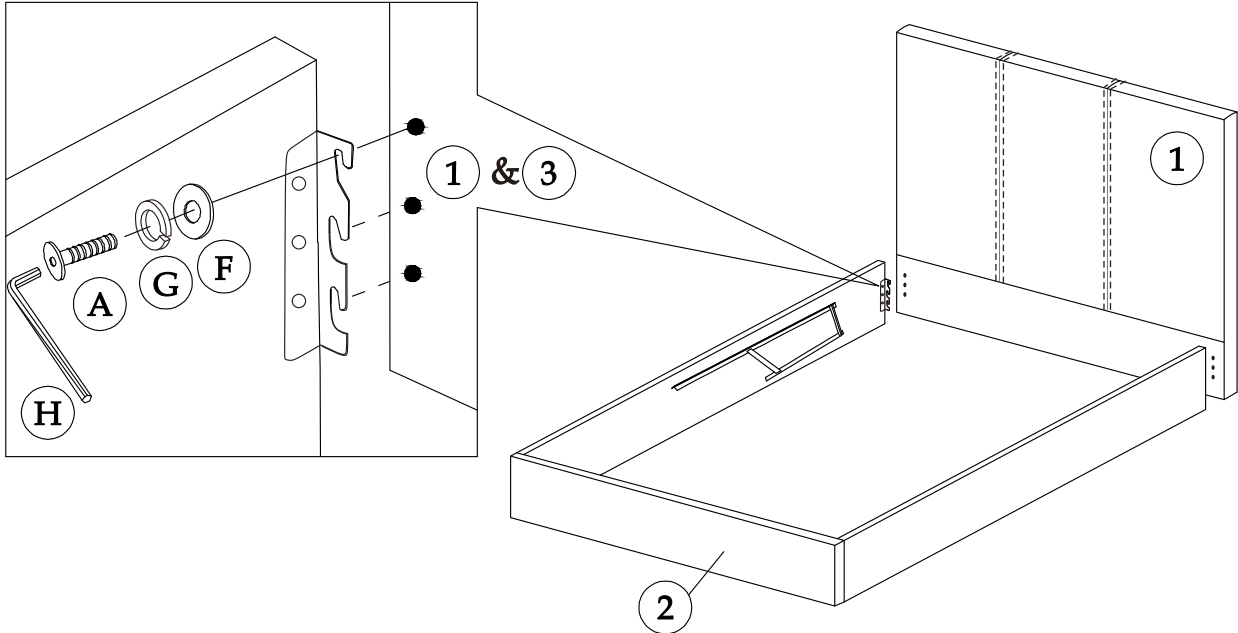
We strongly urge that you do not use Power Tools, Such as drills or electric screwdrivers during this assembly as this could cause irreparable damage to your product and will invalidate the warranty.

HANDY HINT: If you keep the hardware in a bowl during assembly you will be less likely to lose them.

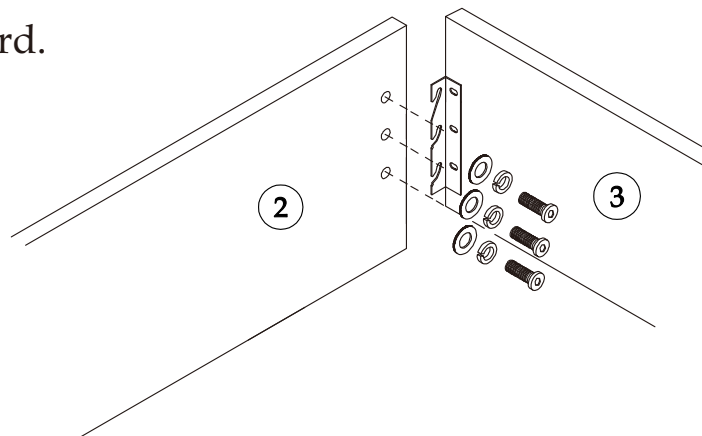
1 Attaching side rails to headboard.



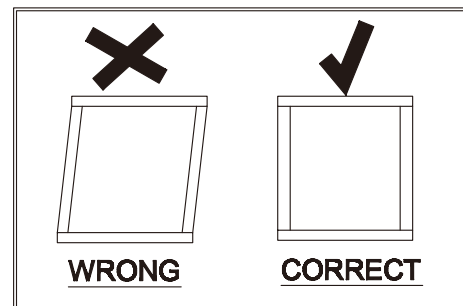
Do Not Use Power Tools



2 Repeat step 1 for footboard.



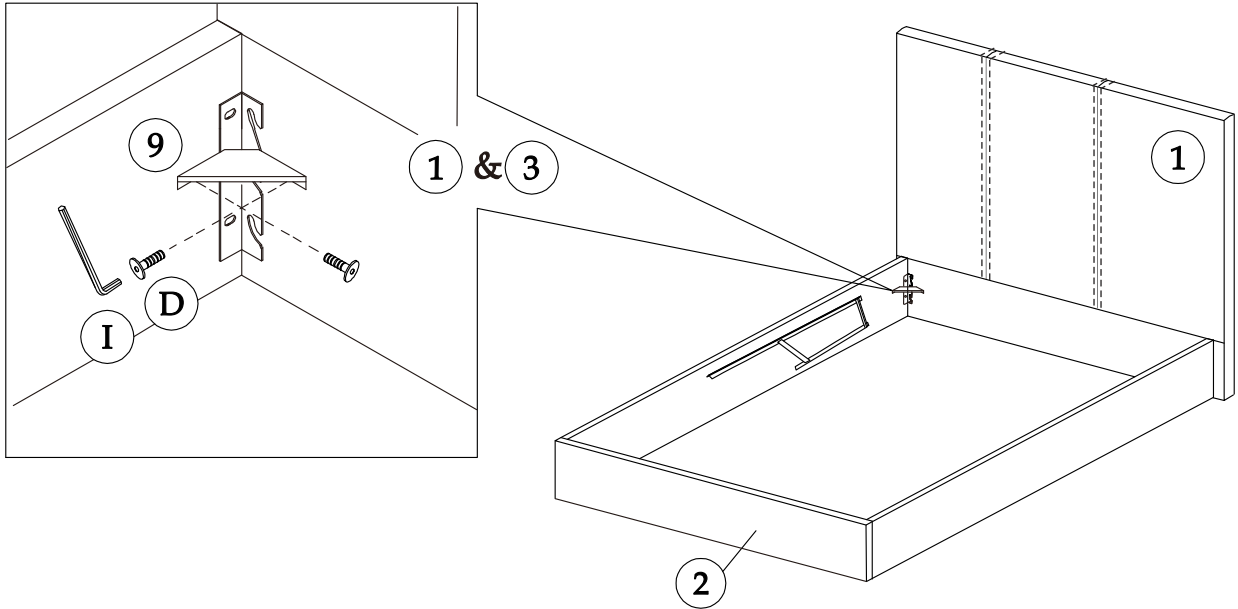
Before tightening the bolts, please ensure the bed frame is square.



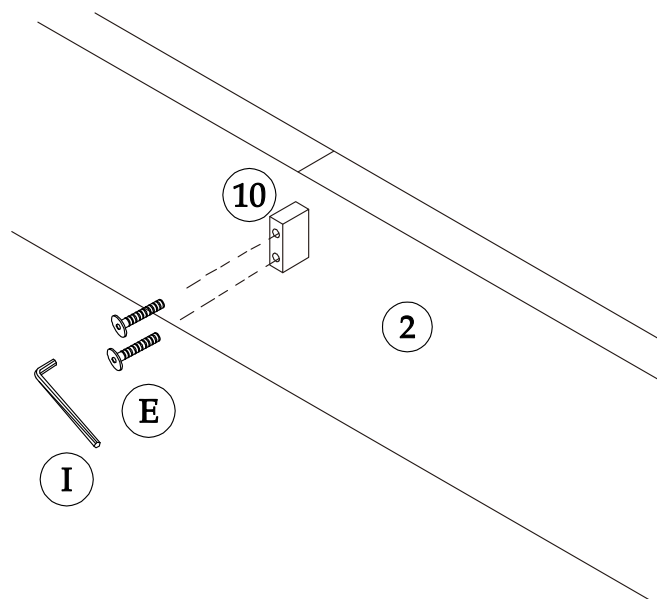
3 Fix corner brackets, then repeat for other 3 corner brackets in each corner of the bed frame.



Do Not Use Power Tools



4 Fix holding block on back of footboard



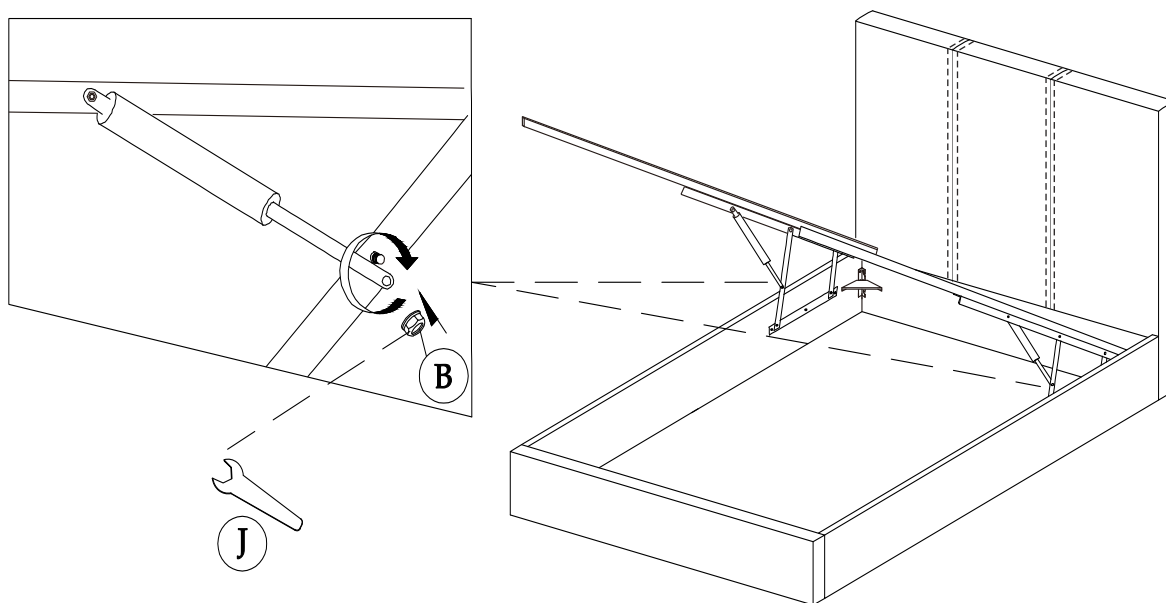
5 Secure hydraulic arms

Before connecting the hydraulic arm, ensure the lifting mechanism is functioning correctly - it should lift up and down freely with adequate clearance on all sides.

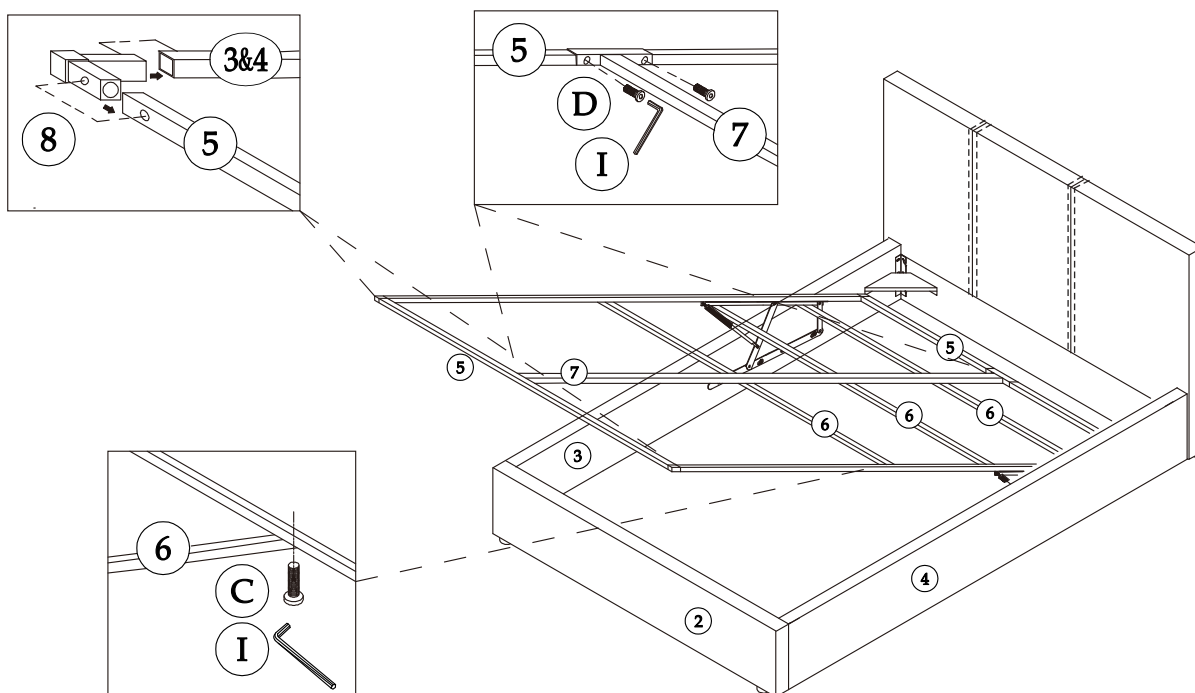


Do Not Use Power Tools

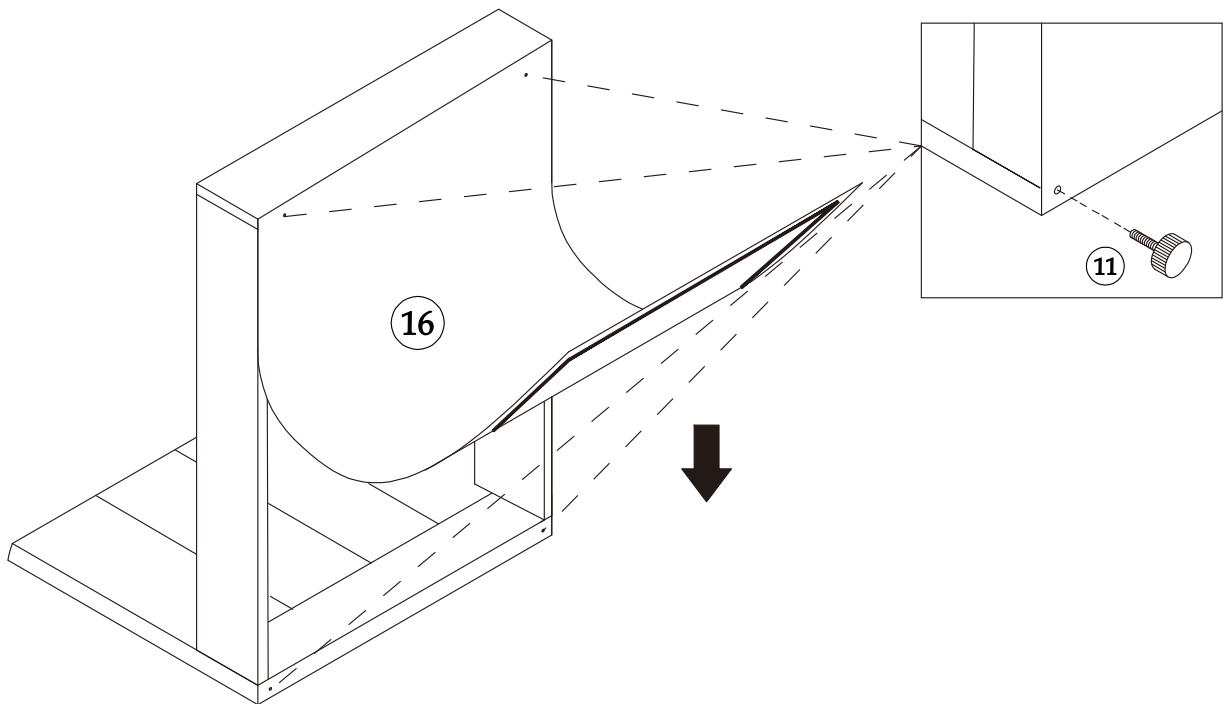
DO NOT OVERTIGHTEN THE NUTS !



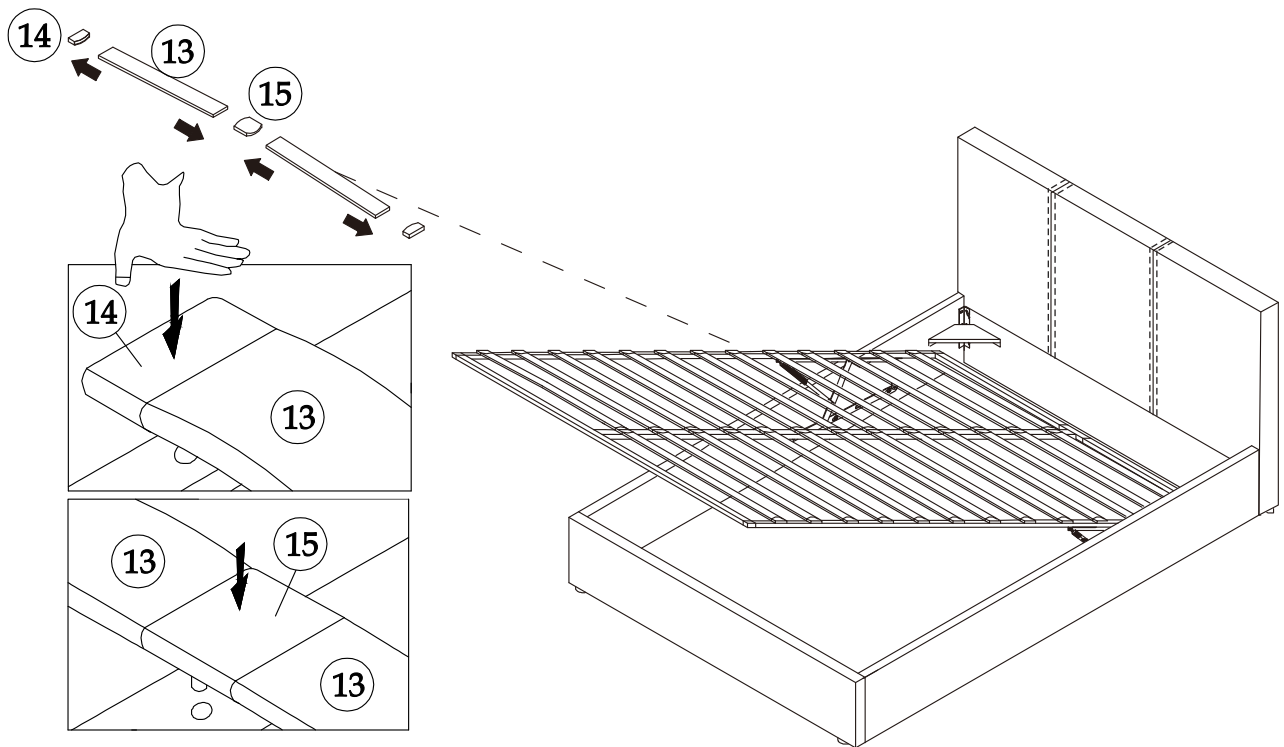
6 Assemble the base



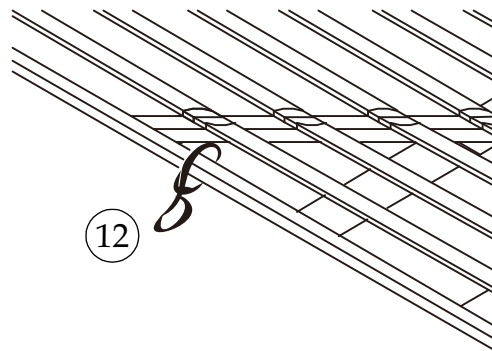
7 Attach non-woven fabric dust cover first, then adjustable legs.



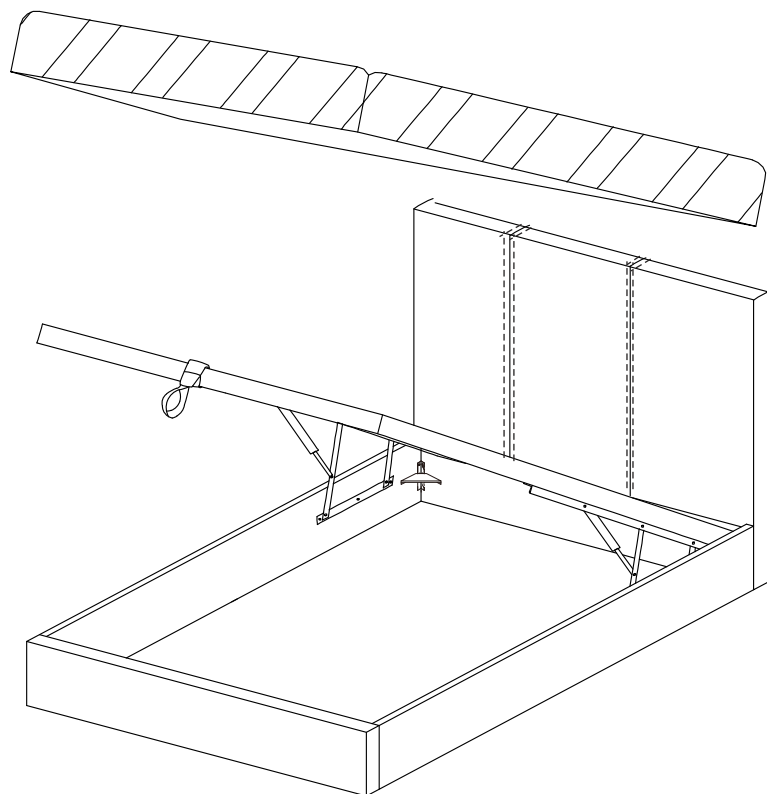
8 Assemble slats



- 9 Attach belt to the metal frame by loop-on method as shown, pull tight after loop-on.



- 10 Place the mattress onto the frame. (MATTRESS NOT INCLUDED)



Notes:

It is imperative that the bed is aligned squarely to prevent the frame from catching on and damaging the upholstered side rails. Please use extra caution when opening and closing the bed, ensure a similar spacing on each side of the frame.

General Care

Wipe clean with a slightly damp soft cloth.

Avoid the use of all household cleaners and abrasives.

When moving your furniture, carefully lift into place.

Never drag or push the pieces across the floor as this will cause damage to the joints and could result in failure to the product that will invalidate the warranty.

Recommendations

Periodical re-tightening of fixings.

Warning

This unit is heavy. Please use an assistant when lifting.

Notes

We've tried to make this piece of furniture as easy to assemble as possible.

In the unlikely event that you have problems putting it together or have damaged or missing pieces, please contact our customer services on 01623 727374.