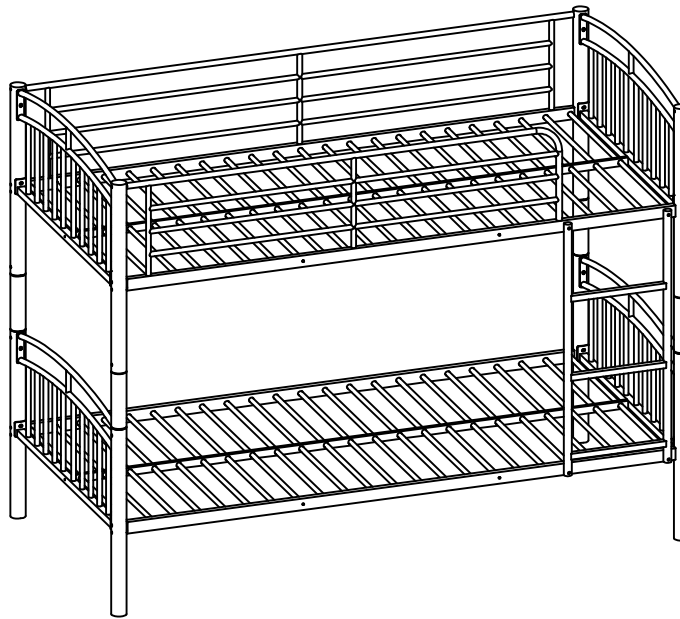


# VENTURA 3' BUNK BED ASSEMBLY INSTRUCTION

IMPORTANT-READ CAREFULLY-RETAIN FOR FUTURE REFERENCE



DOMESTIC USE ONLY

## IMPORTANT NOTICE

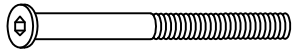



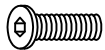



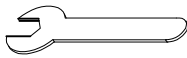
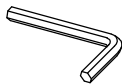

### SAFETY WARNING

- All bunk beds and high beds intended to be assembled by someone other than the manufacturer or their representative shall contain assembly instructions a list of the parts supplied and details of any tools required to assemble the bed;
- We recommend that you use the mattress at size: 1900\*900\*160mm.
- All assembly fastenings should always be tightened properly and that care should be taken that no fittings are loose.
- Instructions regarding positioning and connection of the means of access.
- The ladder is not for playing on, only use to climb onto top bunk.
- We recommend only one person on the upper bunk at one time.
- Warning:** High beds and the upper bed of bunk beds are not suitable for children under six years due to the risk of injury from falls.
- Warning:** -The bunk bed or high bed should not be used if any structural part is broken or missing.
- The top of the mattress shall be at least 160MM below the upper edge of the safety barriers.
- Warning:** Children can become trapped between the bed and the wall to avoid risk of serious injury the distance between the top safety barrier and the wall shall not exceed 75mm or shall be more than 230mm.-
- Warning:** Bunk beds and high beds can present a serious risk of injury from strangulation if not used correctly. Never attach or hang items to any part of the bunk bed that are not designed to be used with the bed, for example, but not limited to ropes, strings, cords, hooks, belts and bags.
- The ventilation of the room is necessary in order to keep the humidity low and to prevent mold in and around the bed.
- The manufacturer' s instruction must be always followed.
- EN747-1&2:2012+A1:2015 TEST version.



TWO PEOPLE ARE NEEDED TO ASSEMBLE THIS BUNK.

PLEASE CHECK THAT YOU HAVE ALL THE PARTS LISTED BEFORE YOU START ASSEMBLY. IF YOU DO FIND THAT SOMETHING IS MISSING. PLEASE CONTACT YOUR SUPPLIER IMMEDIATELY.

PART NUMBER		PART DESCRIPTION	QUANTITY
A		M6 x 70mm	19
B		M6 x 55mm	4
C		M6 x 40mm	4
D		M6 x 16mm	8
E		M6 x 12mm	24
F		M6	4
G		Ø18 x 6.5mm	19
H		PLASTIC POST INSERT	8
I		M10	1
J		4mm	1
K		Ø8mm	2

### CARE & MAINTENANCE

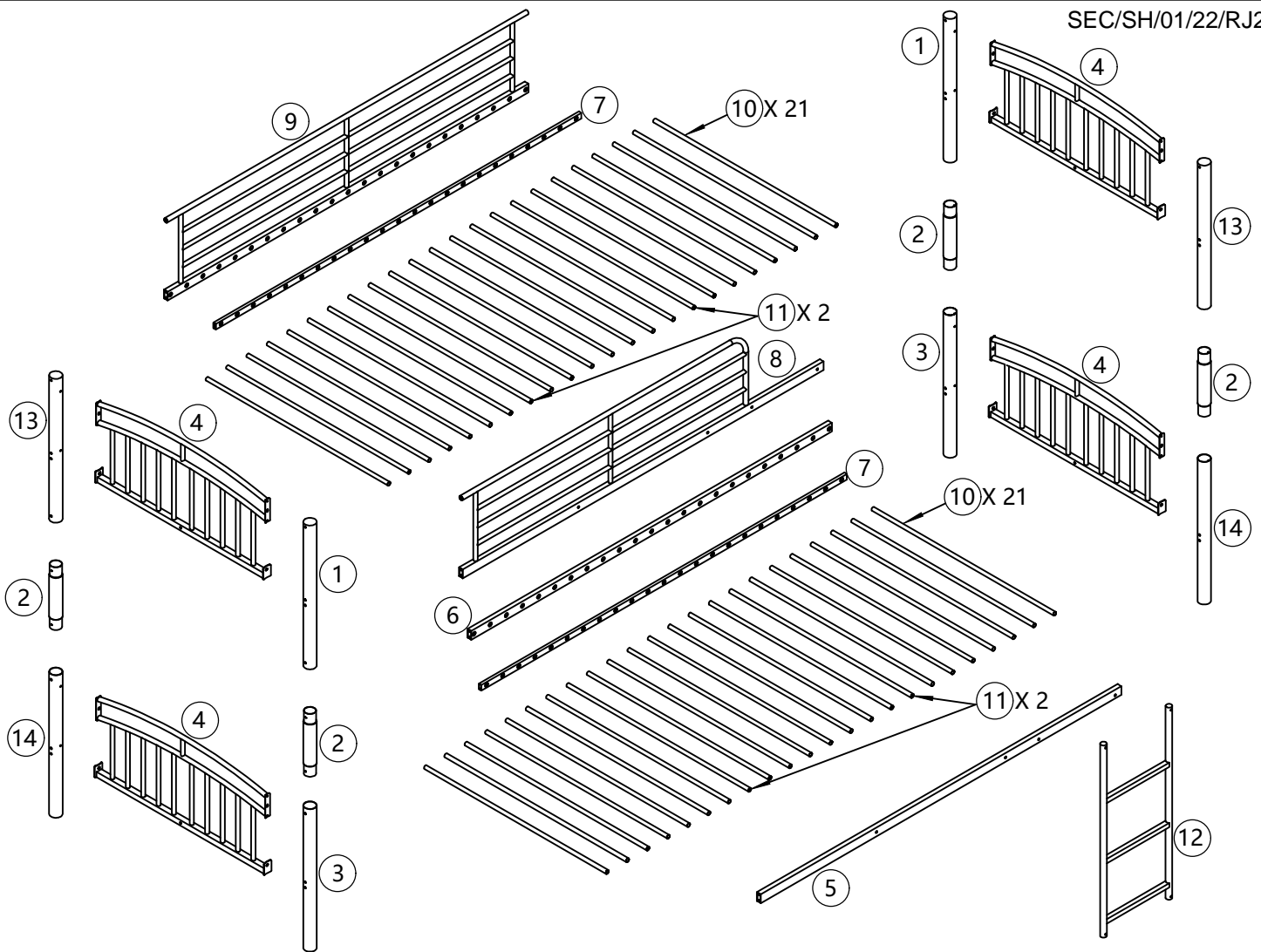
- 1) No power tools shall be used for assembly of the bed. Use only allen keys provided for assembly.
- 2) Periodically check and ensure all bolts are fully tightened.

### Method of Cleaning

- 1) Use damp cloth for normal cleaning.
- 2) For bright parts, use a clean dry duster only.

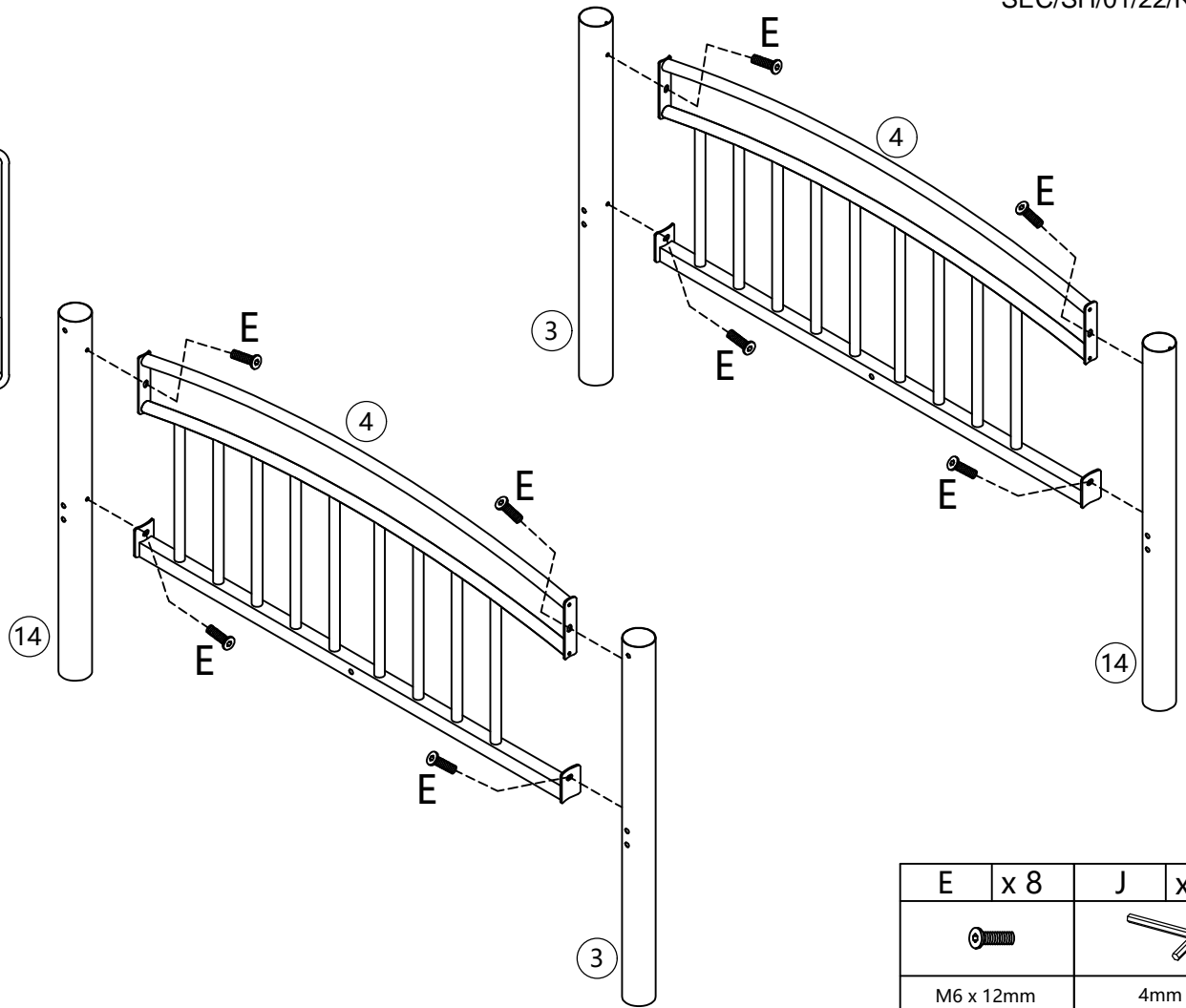
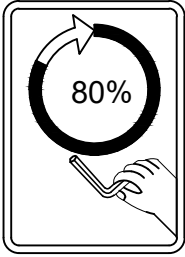
USE OF POWER TOOLS TO ASSEMBLE THIS PRODUCT WILL INVALIDATE ANY CLAIM AND MAY DAMAGE THIS PRODUCT, MAKING IT UNSAFE.







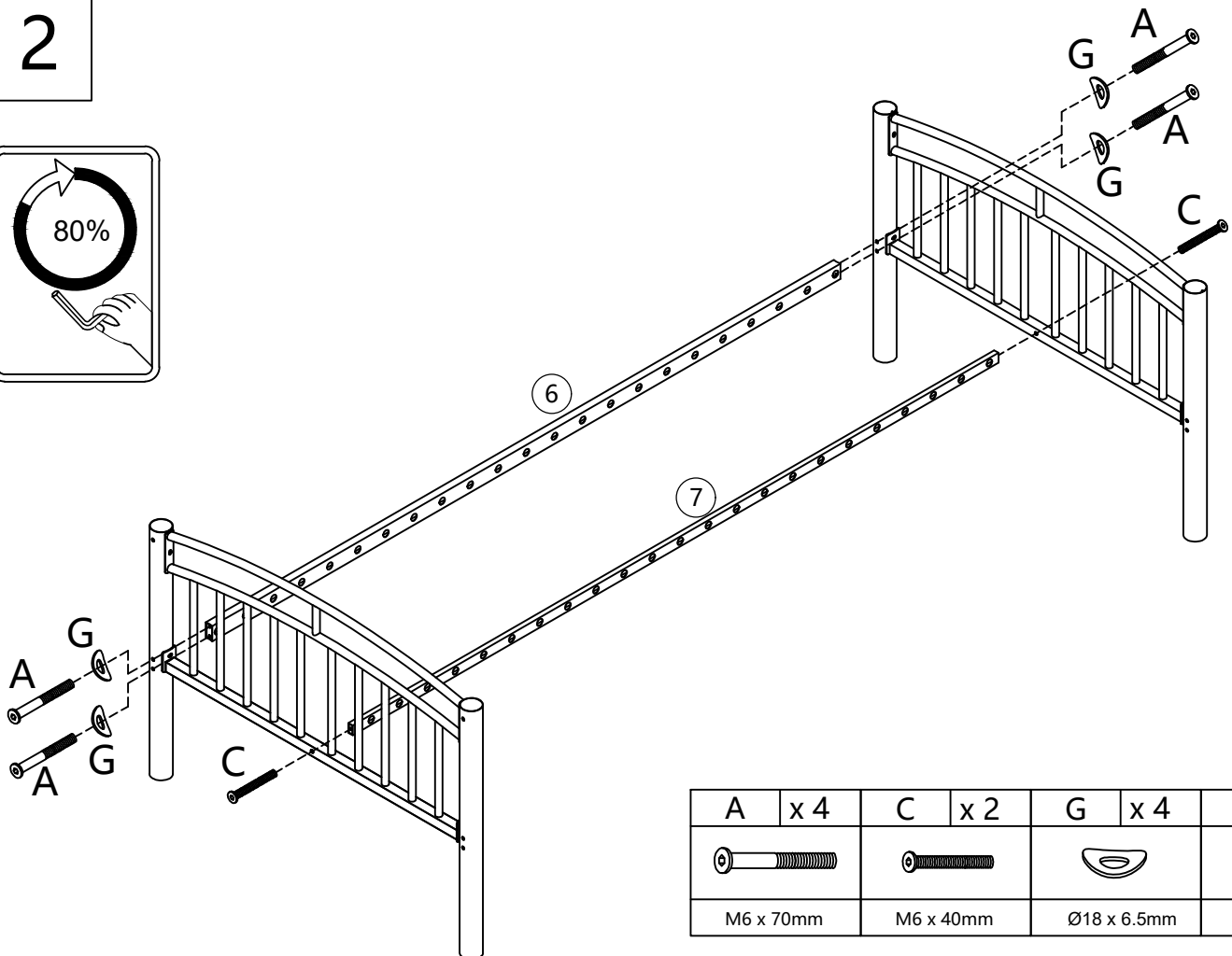
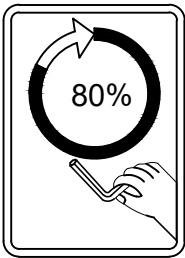
PART NUMBER	PART DESCRIPTION	QUANTITY
1	UPPER BED POST 1	2
2	NEUTRAL POST	4
3	LOWER BED POST	2
4	HEADBOARD/FOOTBOARD	4
5	LOWER FRONT BED RAIL	1
6	LOWER BACK BED RAIL	1
7	MIDDLE BED RAIL	2
8	UPPER FRONT GUARDRAIL	1
9	UPPER BACK GUARDRAIL	1
10	SLATS	42
11	FIXED SLATS	4
12	LADDER	1
13	UPPER BED POST 2	2
14	LOWER BED POST 2	2

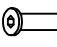



1



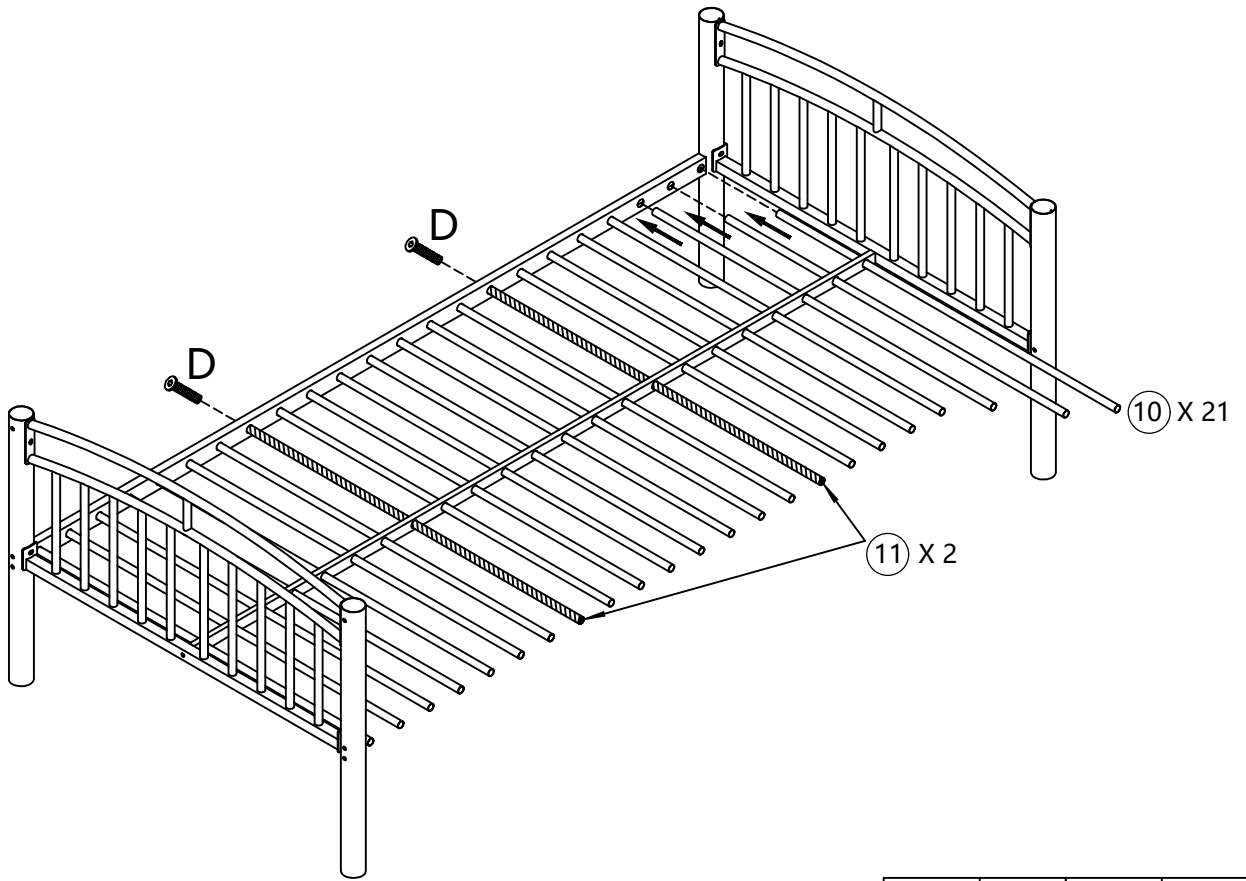
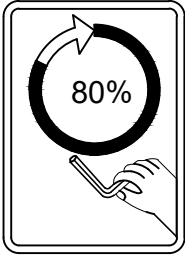
E	x 8	J	x 1
			
M6 x 12mm		4mm	



2



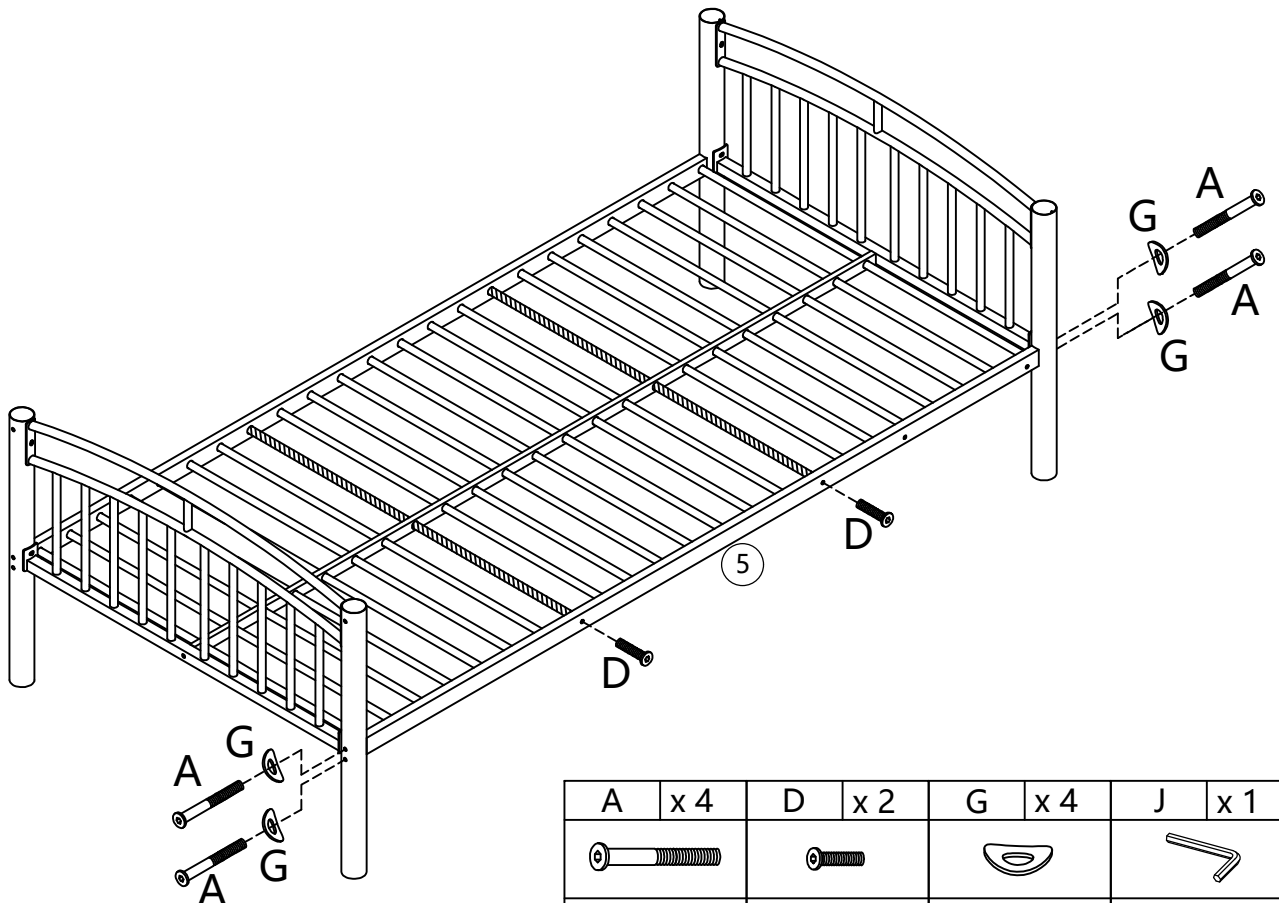
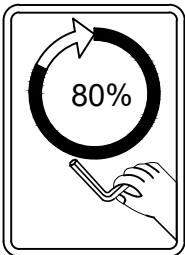
A	x 4	C	x 2	G	x 4	J	x 1
							
M6 x 70mm		M6 x 40mm		Ø18 x 6.5mm		4mm	

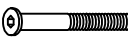



3



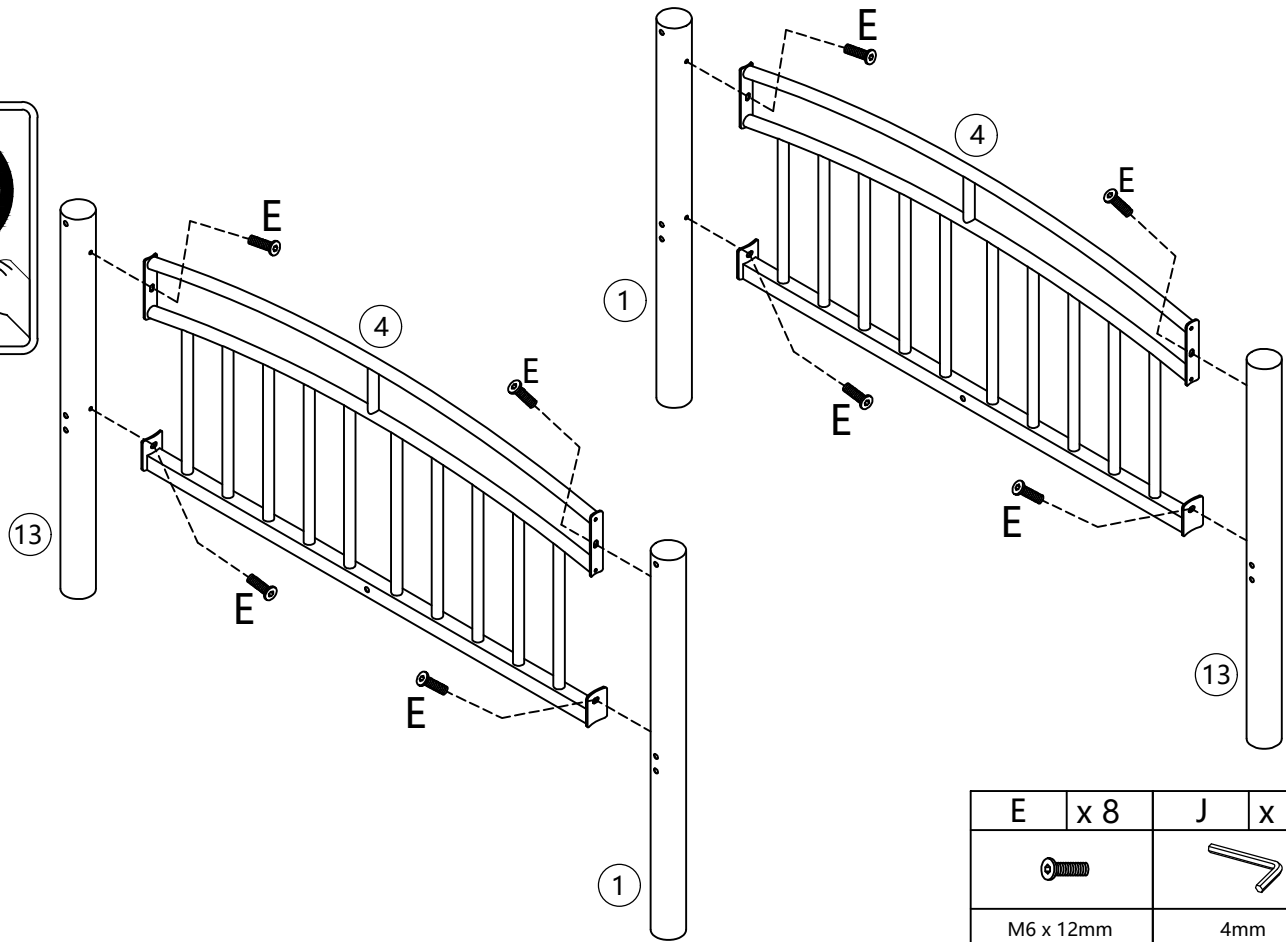
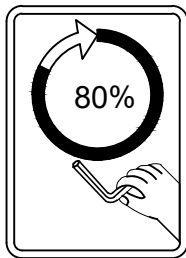
D	x 2	J	x 1
			
M6 x 16mm		4mm	



4



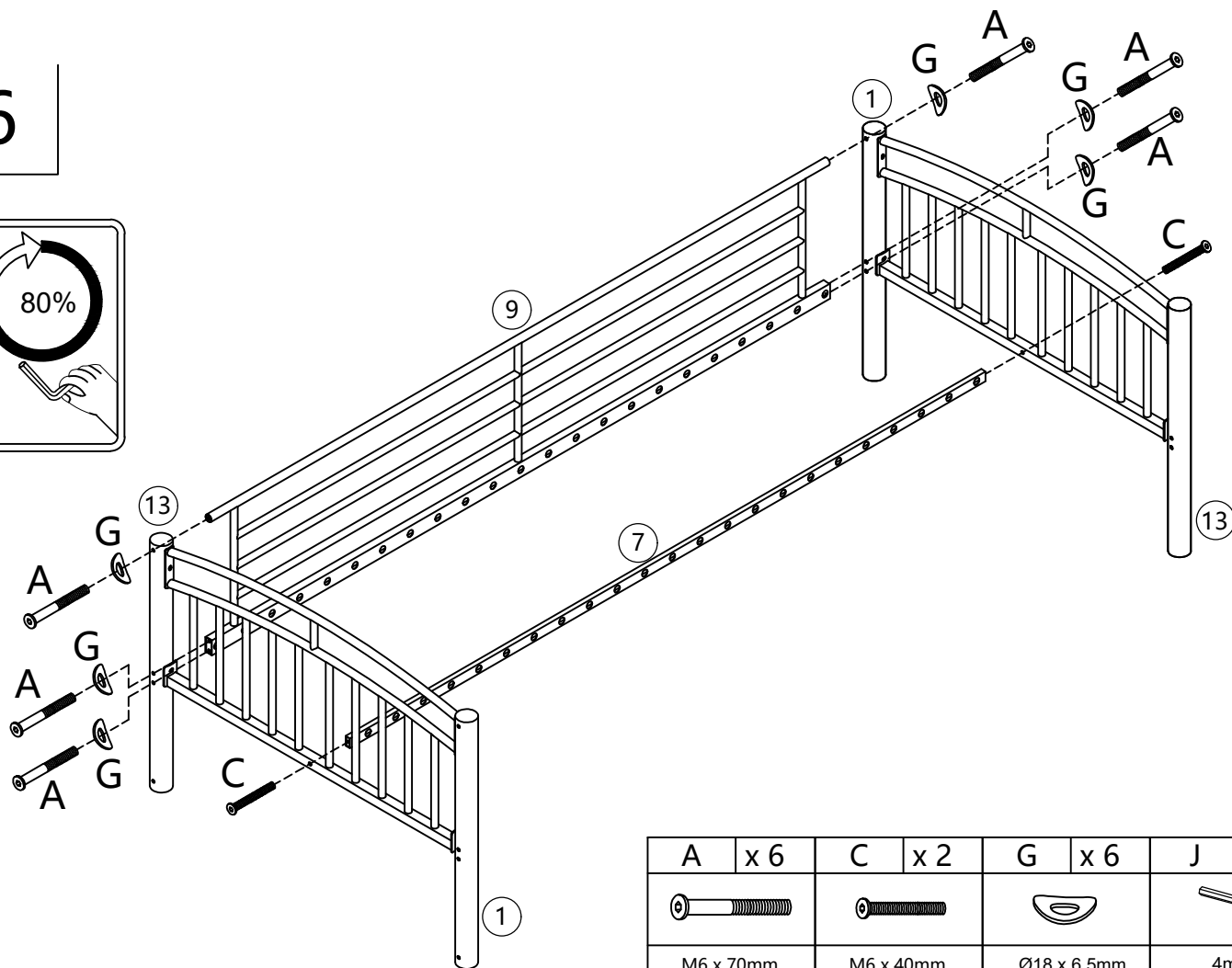
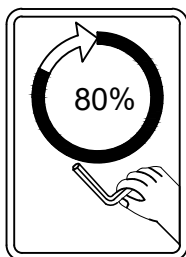
A	x 4	D	x 2	G	x 4	J	x 1
							
M6 x 70mm		M6 x 16mm		Ø18 x 6.5mm		4mm	





5



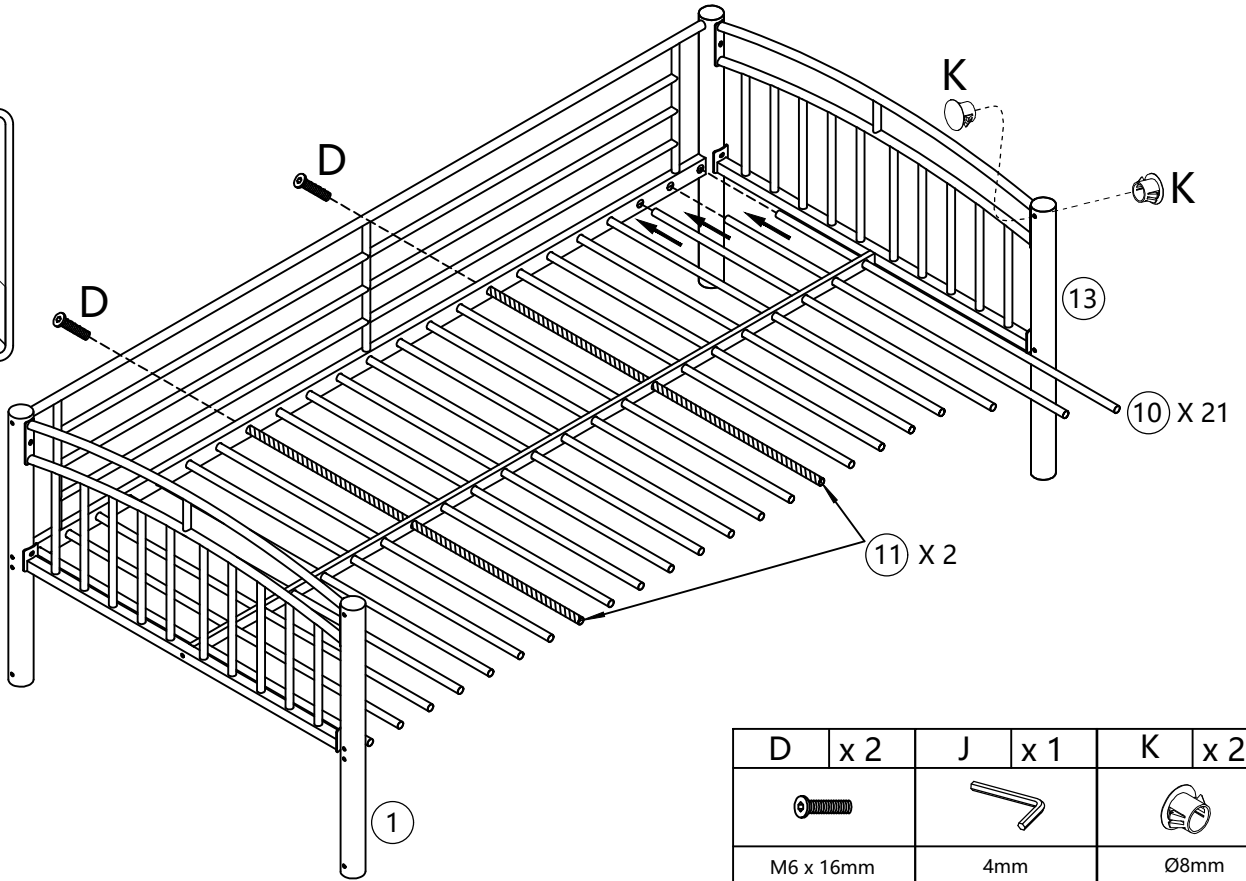
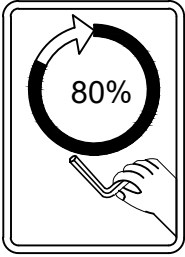
E	x 8	J	x 1
			
M6 x 12mm		4mm	

6



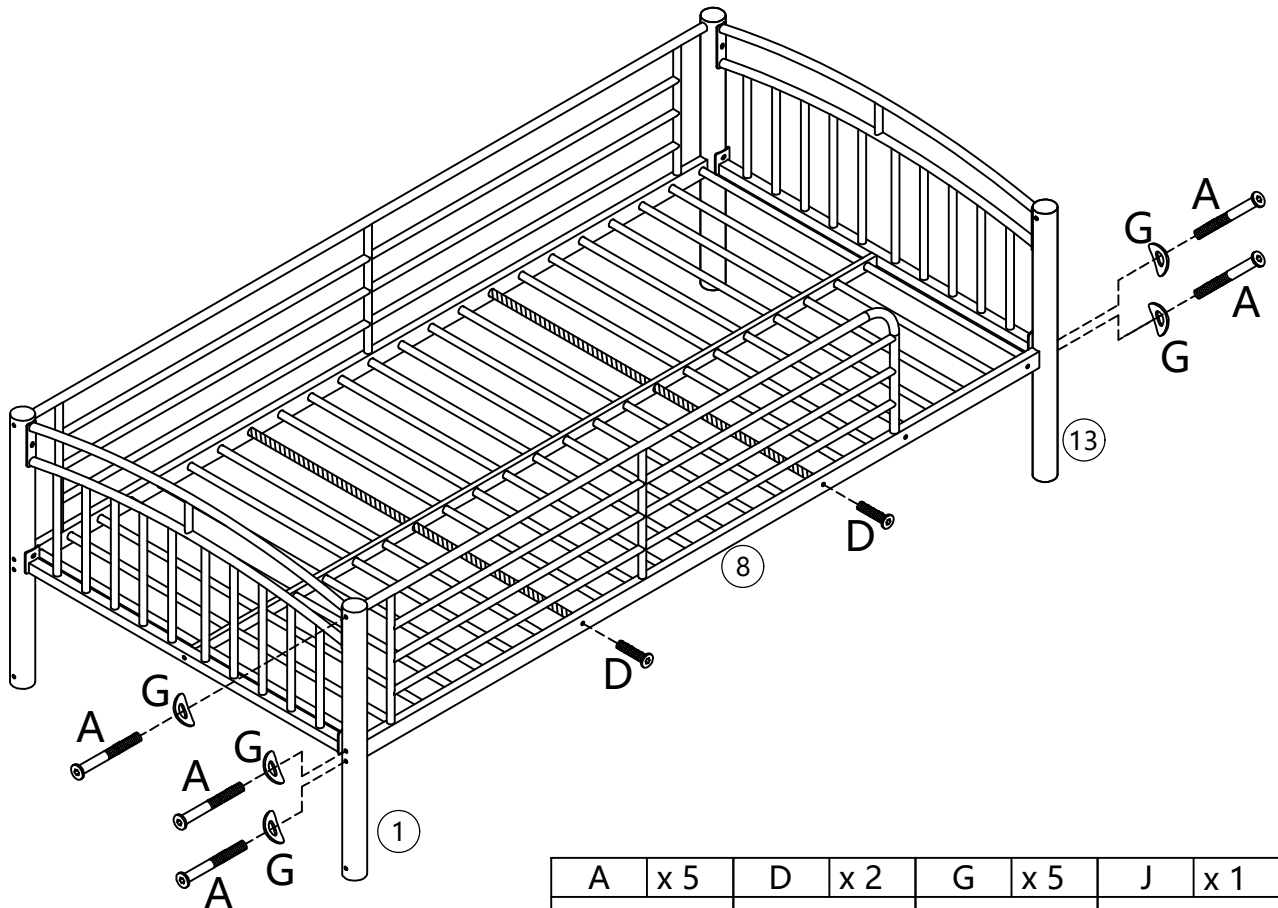
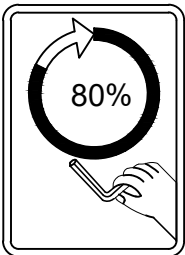
A	x 6	C	x 2	G	x 6	J	x 1
							
M6 x 70mm		M6 x 40mm		Ø18 x 6.5mm		4mm	

7



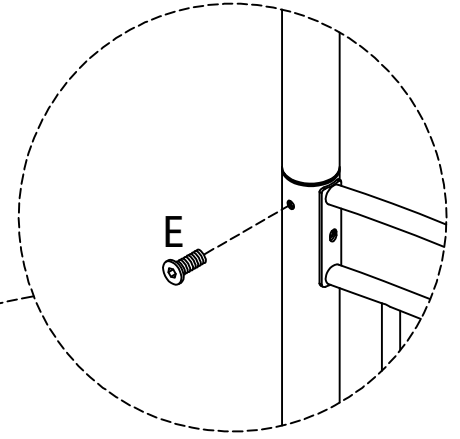
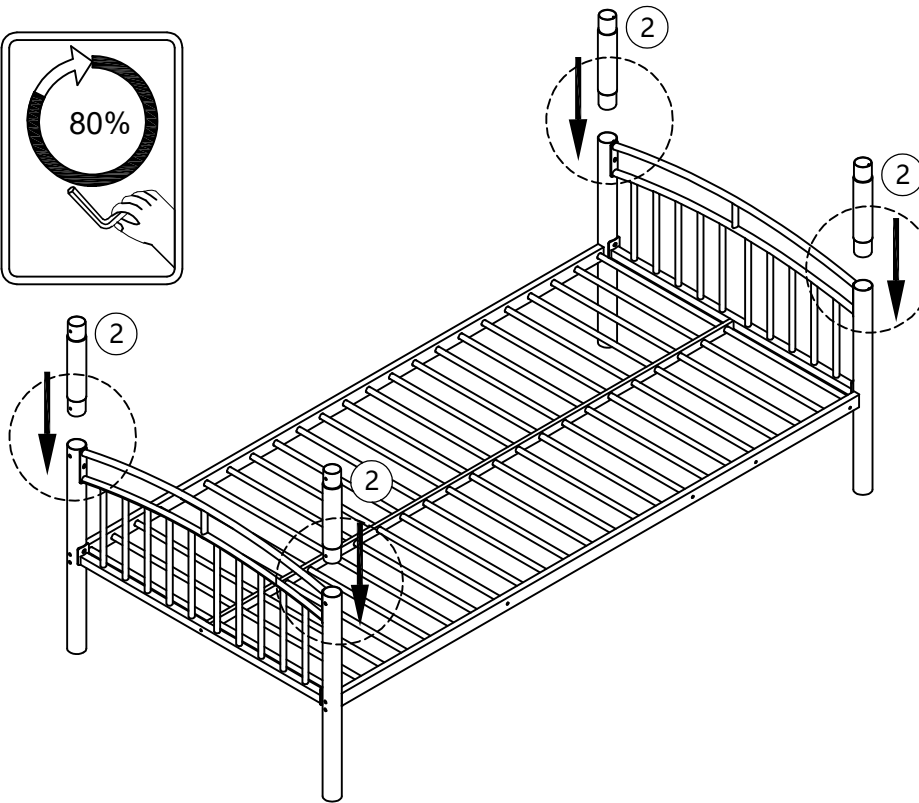
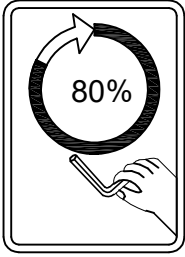
D	x 2	J	x 1	K	x 2
M6 x 16mm		4mm		Ø8mm	



8



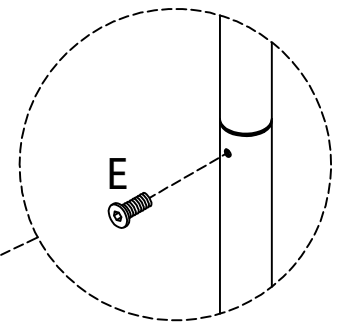
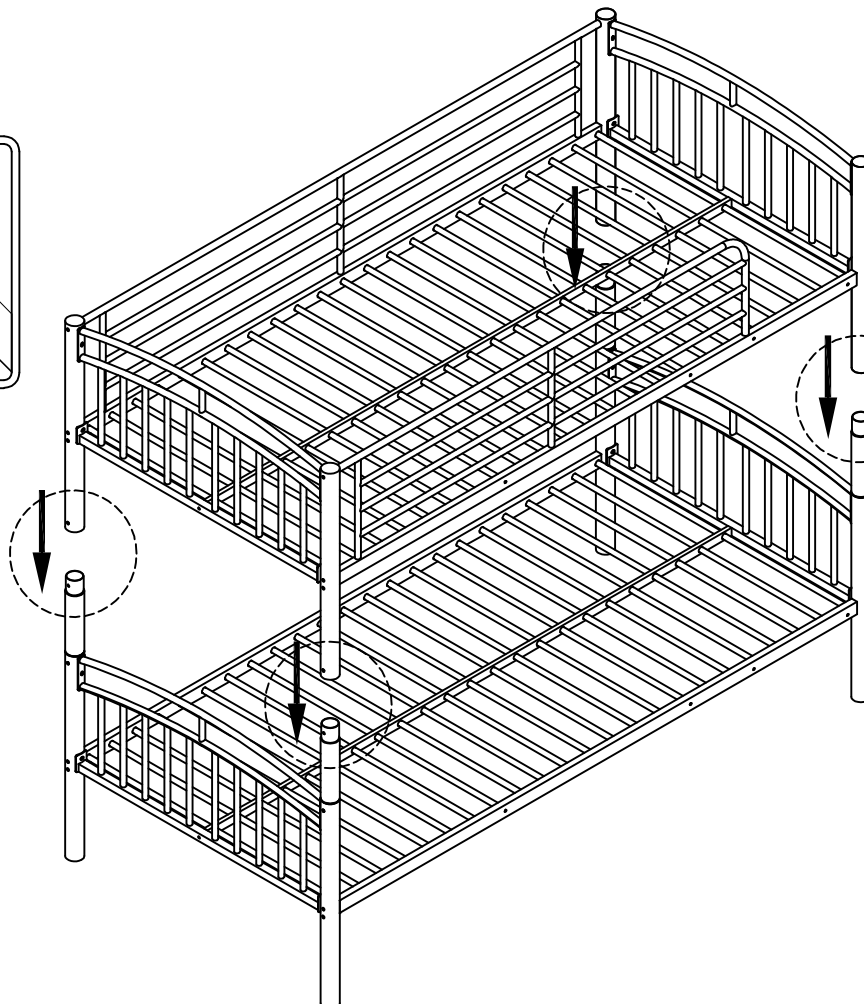
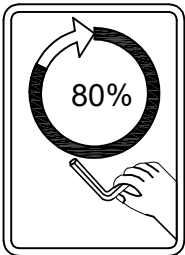
A	x 5	D	x 2	G	x 5	J	x 1
M6 x 70mm		M6 x 16mm		Ø18 x 6.5mm		4mm	



9



E	x 4	I	x 1
			
M6 x 12mm		4mm	

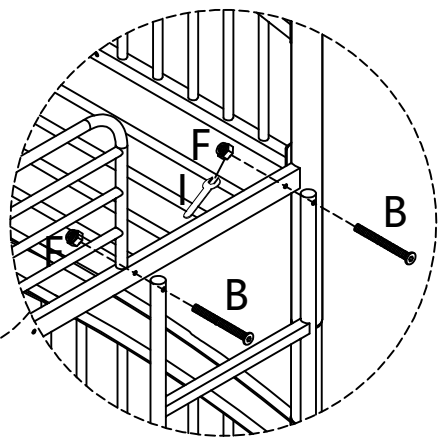
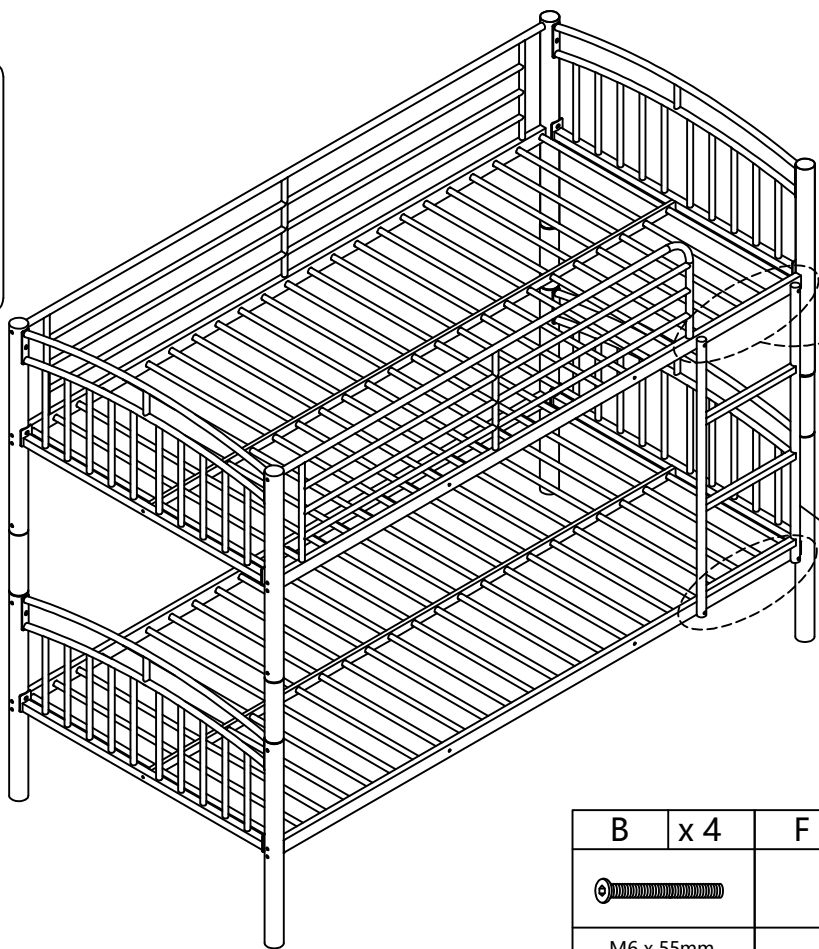
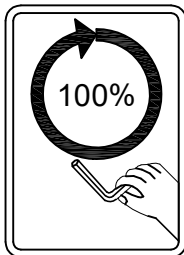
10







E	x 4	J	x 1
			
M6 x 16mm		4mm	

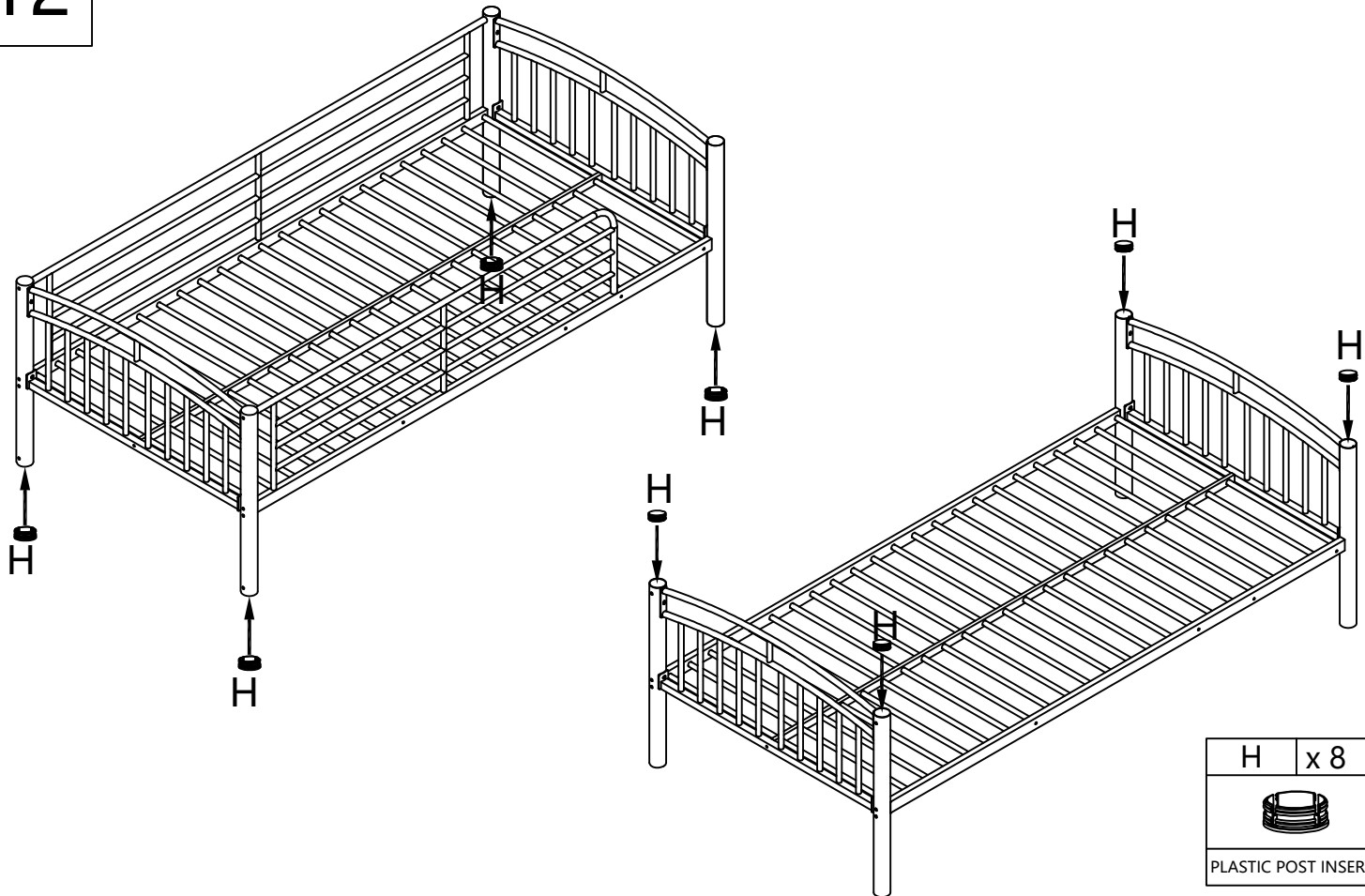



# 11



B	x 4	F	x 4	I	x 1	J	x 1
							
M6 x 55mm		M6		M10		4mm	

# 12



H	x 8
	
PLASTIC POST INSERT	