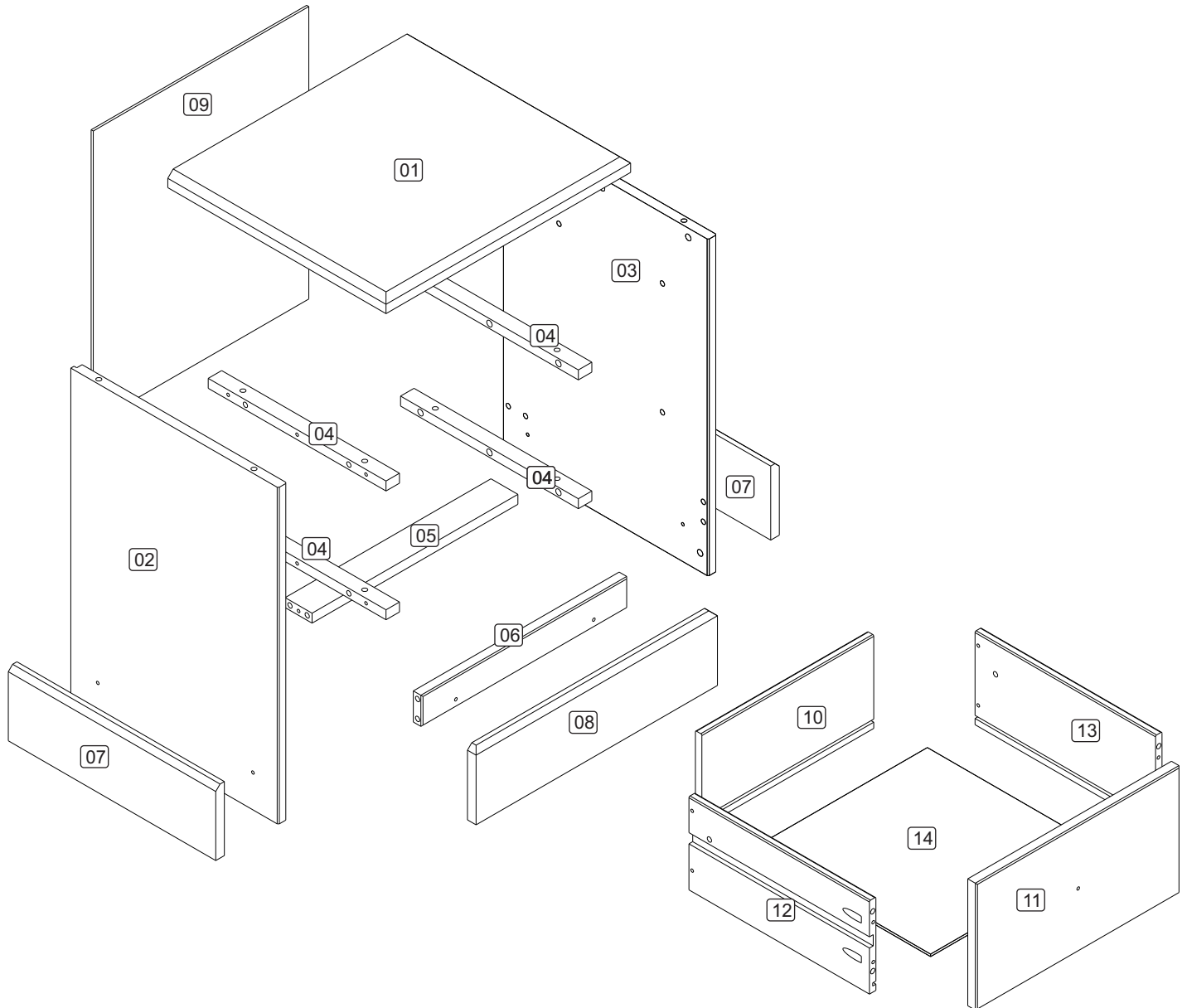


CT110

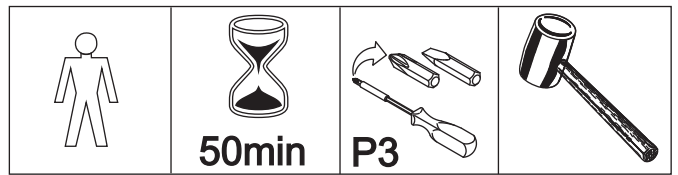


2x



Core Products are proud to be a member of ACID (Anti Copying in Design).
Our designs are supported through their intellectual property databank.
All copyright, design rights & intellectual property rights existing in this product,
instructions and related documents are and will remain the property of Core Products.
We will treat any infringement of these rights seriously.
Copyright © Core Products V2 11/2021

CT110



Thank you for choosing this furniture.

BEFORE YOU START ASSEMBLY please store the carton at room temperature for 48 hours or more so the contents can acclimatise.

PLEASE RETAIN ALL PACKING UNTIL YOU HAVE COMPLETED ASSEMBLY.

Information about your Pine furniture.

Our pine furniture ranges have been carefully crafted from solid wood and wood fibre based composite boards. Each piece of pine has unique characteristics such as knots, variances in shading and graining. These are part of the natural character of the furniture itself.

Caring for your Pine furniture.

Extreme temperature can cause slight movements in the wood itself so please avoid placing your furniture close to radiators or other direct sources of heat. Humidity should also be avoided.

Please avoid exposing your furniture to continued bright sunlight as it can affect the colour.

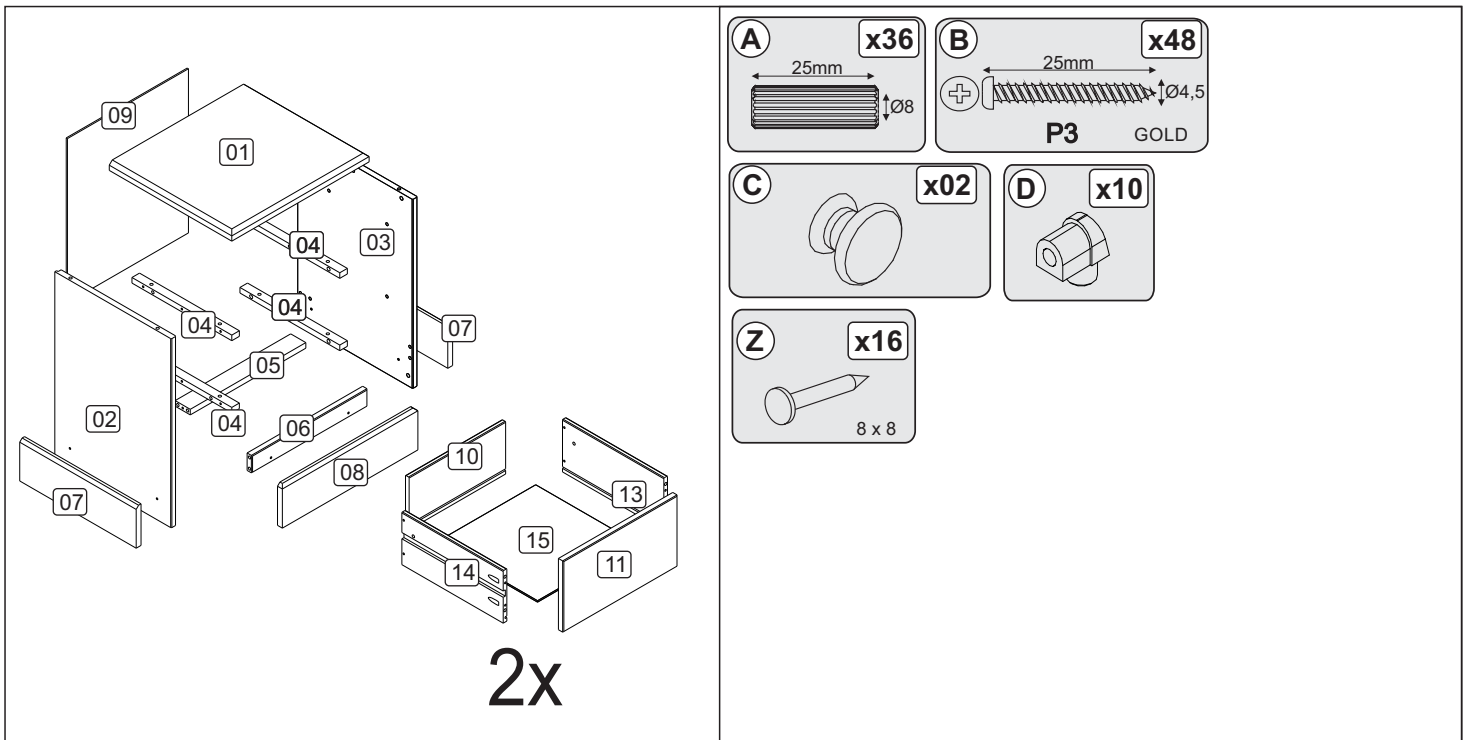
Any fluid spills should be removed as quickly as possible.

Always lift your furniture when moving as dragging may cause damage to your furniture or flooring.

After care.

Wipe the surfaces with a dry cloth and an occasional use of a normal household furniture polish. For the models with drawers, we also recommend you use household spray polish occasionally on drawer grooves and runners as this will aid use. Please do not use detergents or chemicals on your furniture.

PARTS LIST



BEFORE YOU START ASSEMBLY

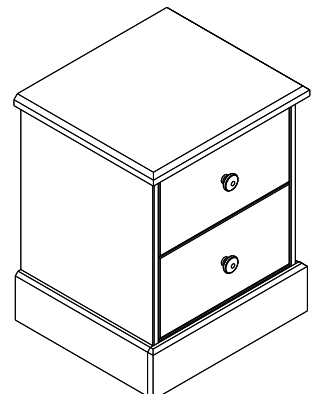
Please check that you have all the correct parts and fittings as detailed on the assembly instructions.

FOR DAMAGED/REPLACEMENT PARTS

Please visit

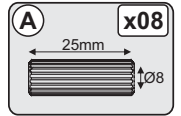
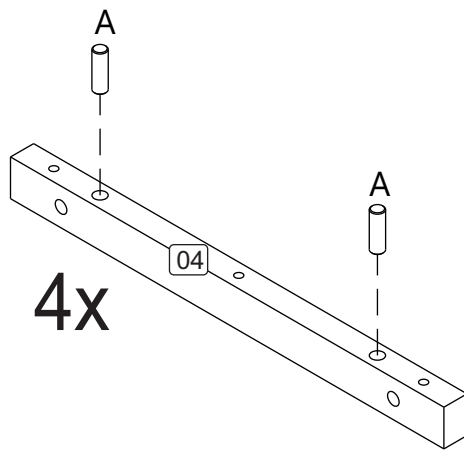
www.coreproducts.co.uk/parts

Batch Number 2022-0058

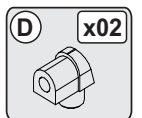
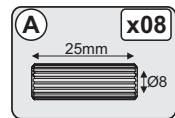
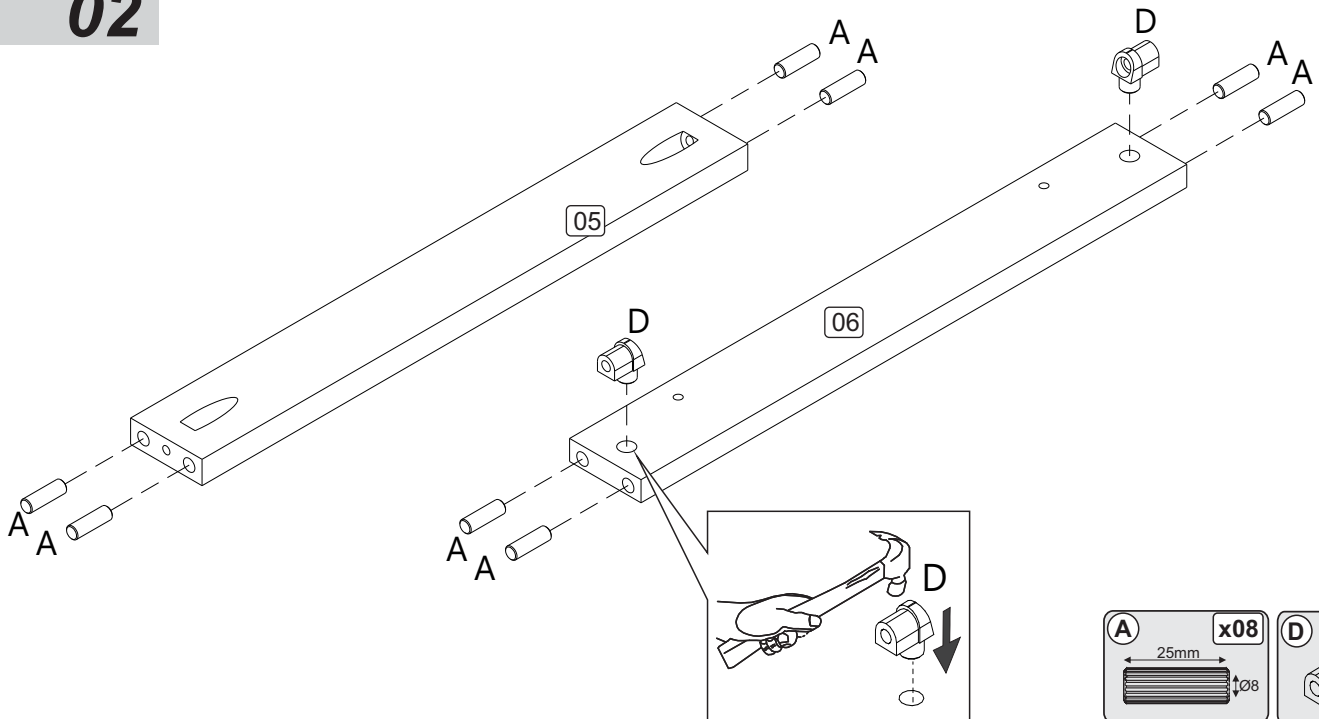


**PLEASE RETAIN THIS LEAFLET ALONG WITH YOUR DELIVERY
NOTE/RECEIPT FOR FUTURE REFERENCE**

01

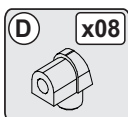
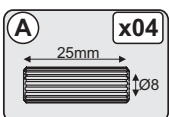
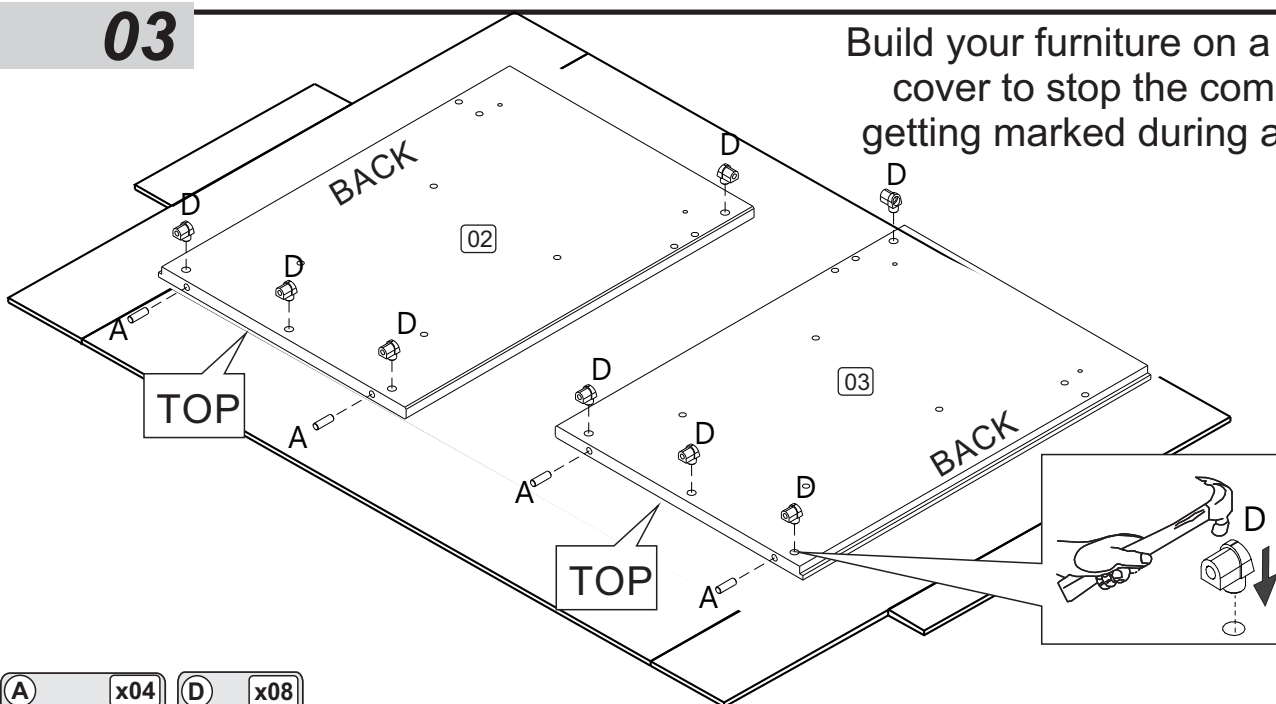


02

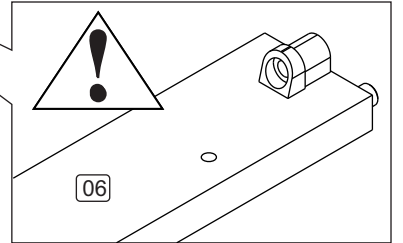
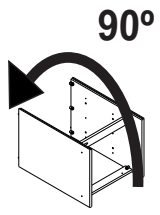
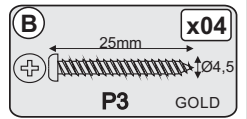
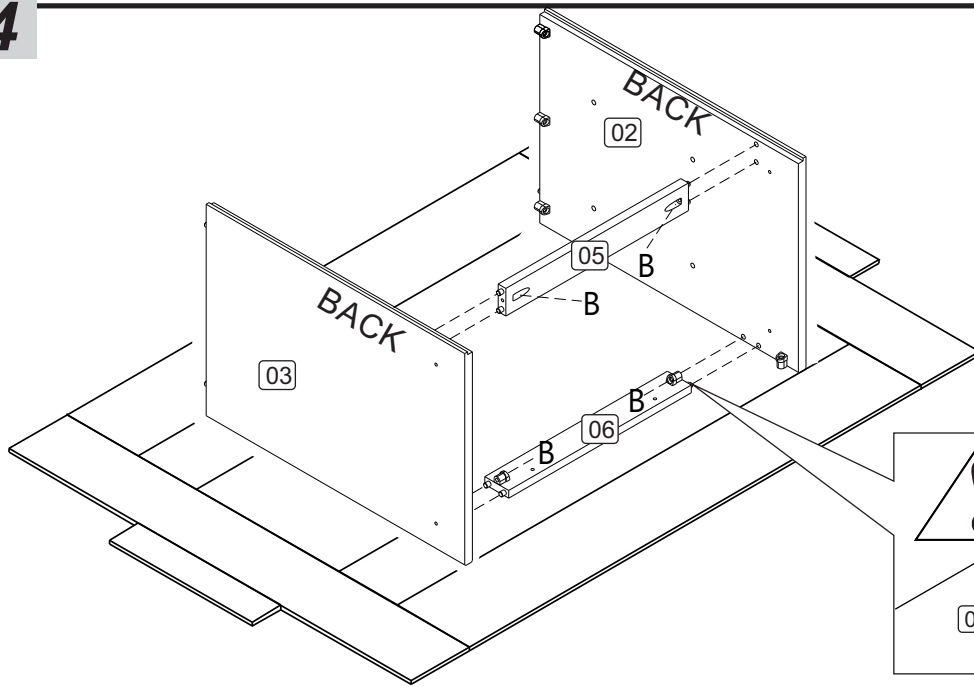


03

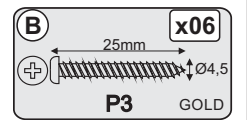
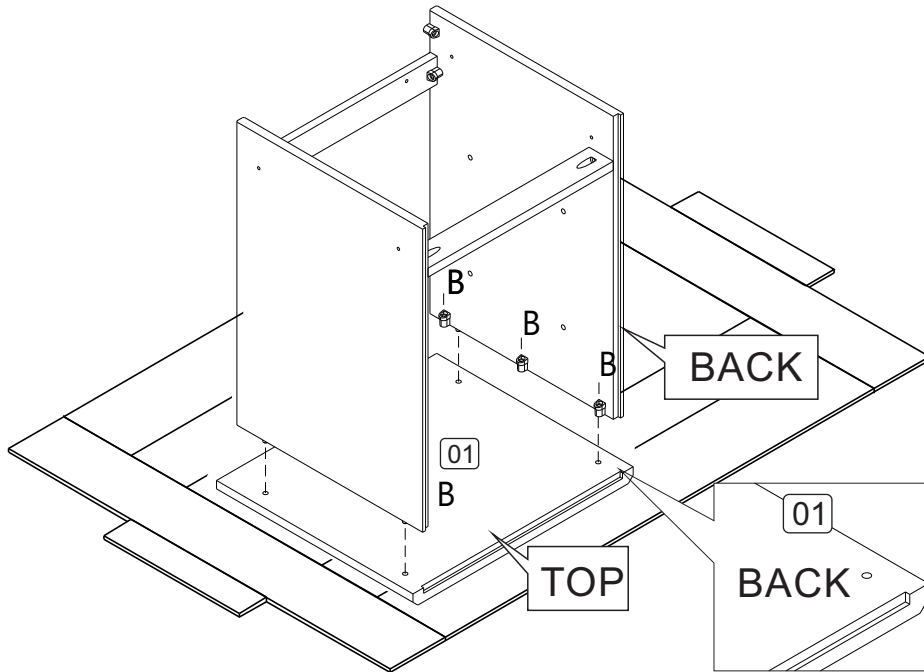
Build your furniture on a soft clean cover to stop the components getting marked during assembly.



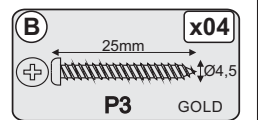
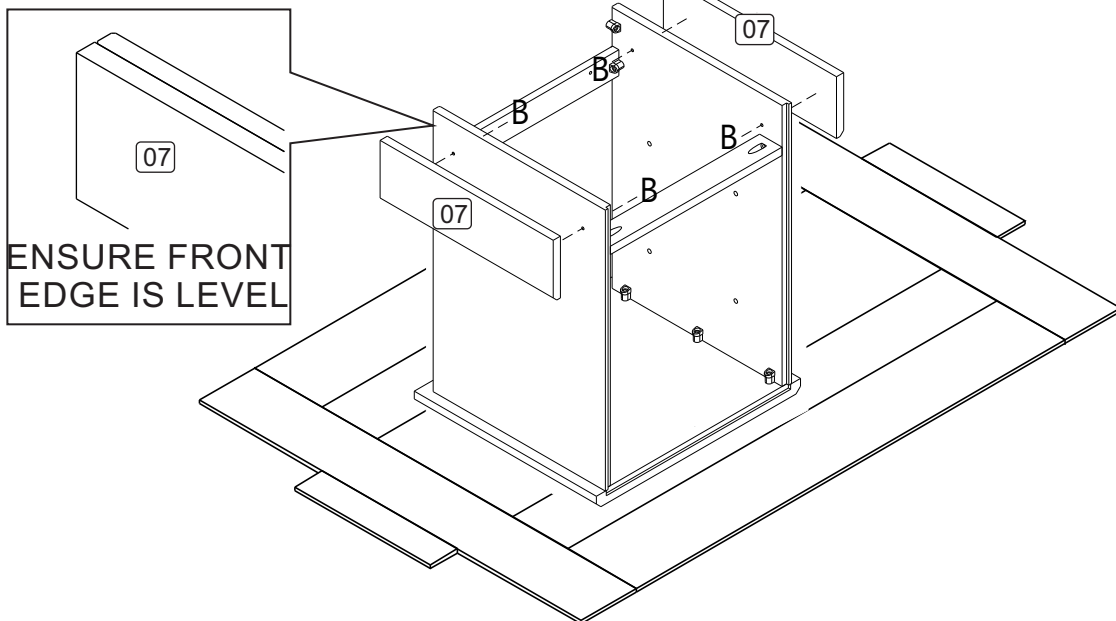
04



05

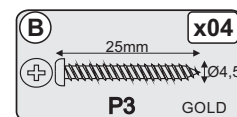
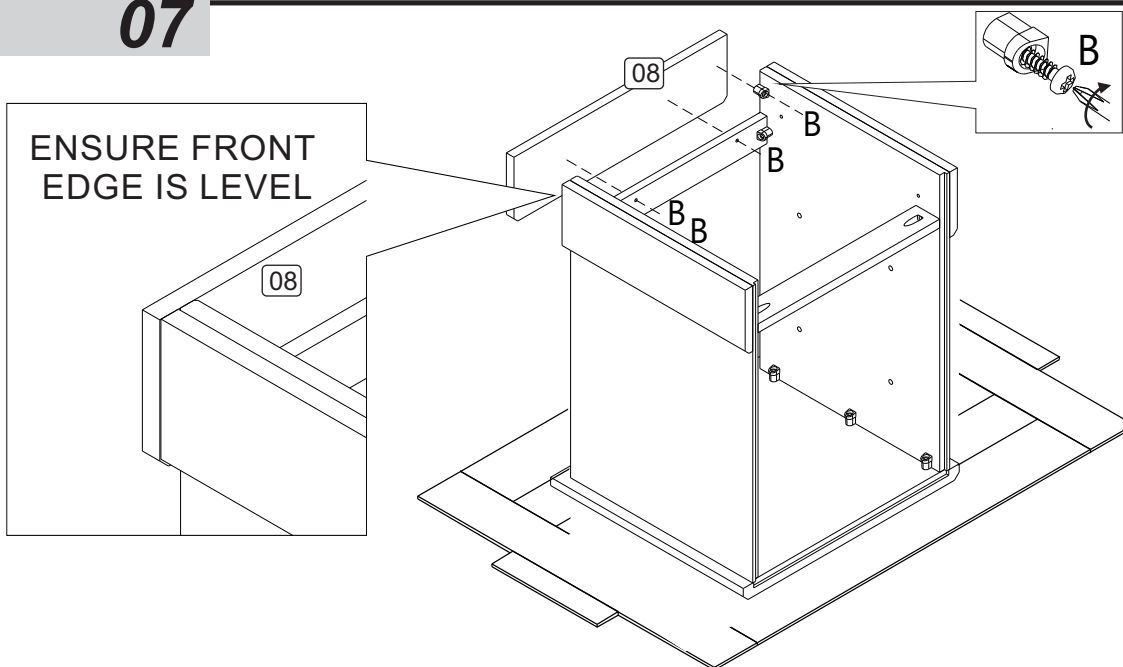


06



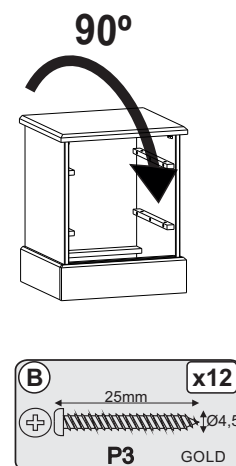
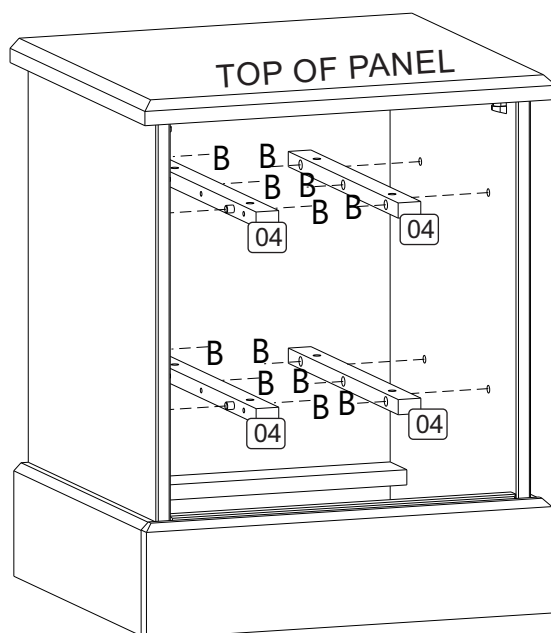
07

ENSURE FRONT
EDGE IS LEVEL

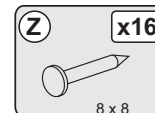
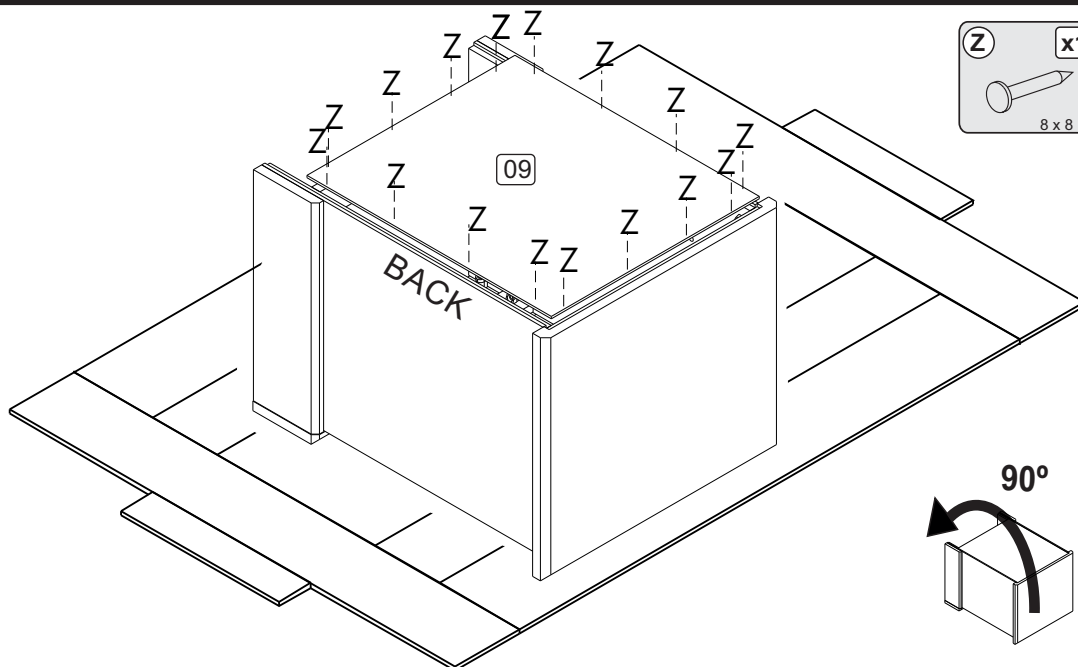
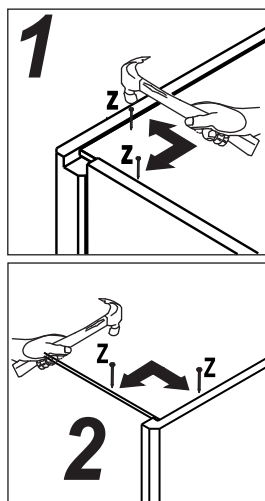


08

Ensure the drawer runner side
with 2 holes for dowels part 04 is
facing towards the top of the panel.

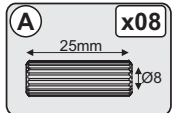
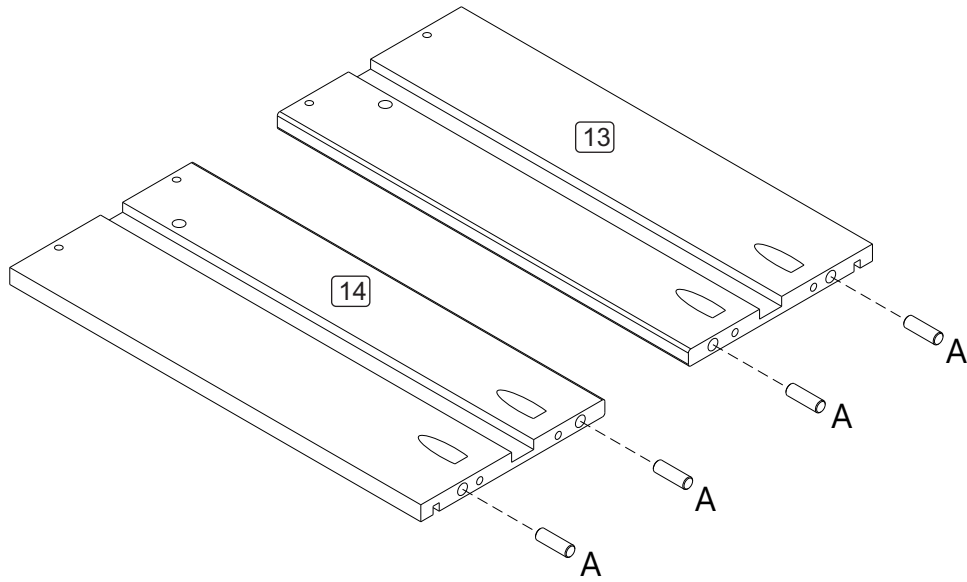


09



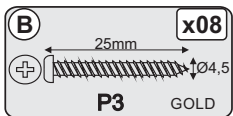
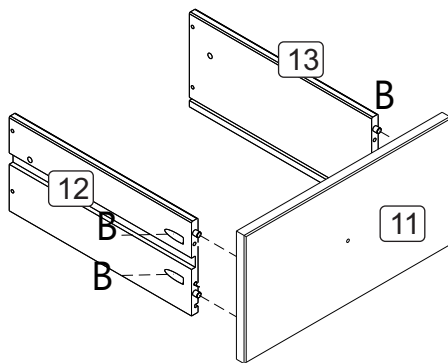
10

2x



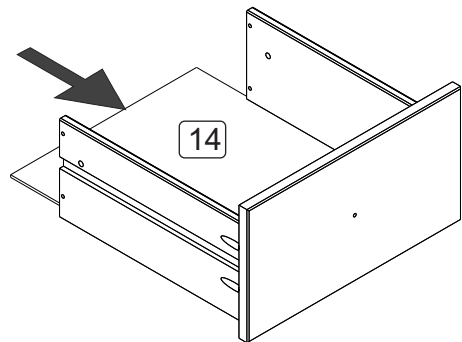
11

2x



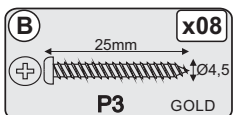
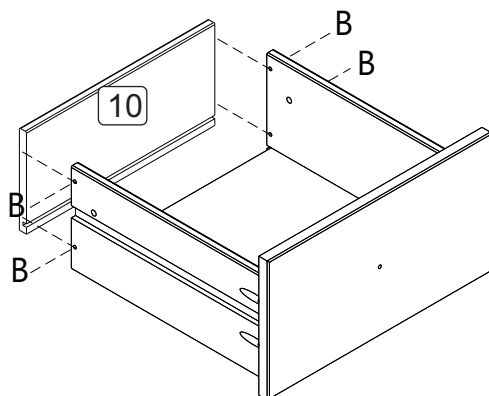
12

2x



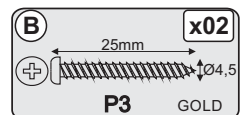
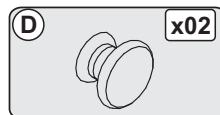
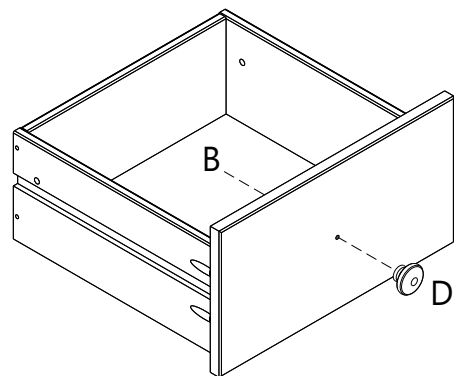
13

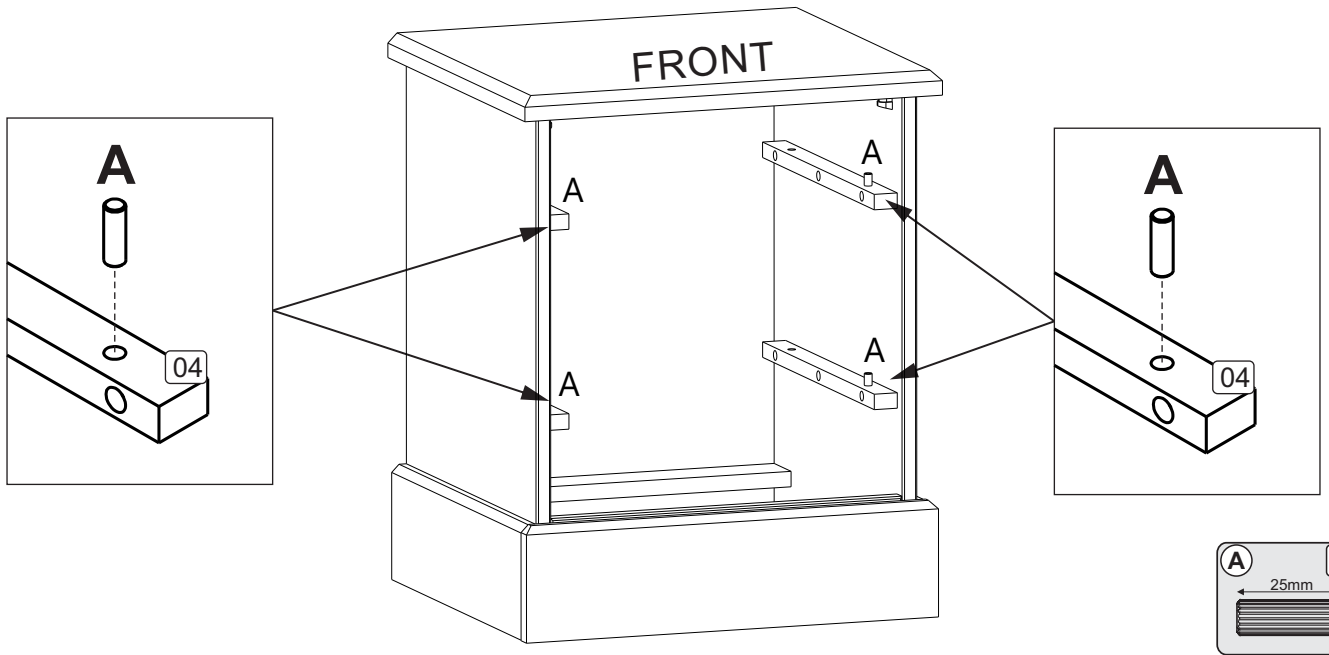
2x



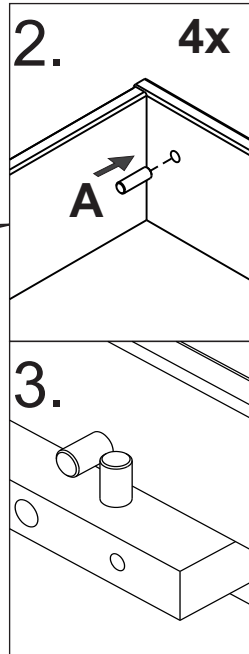
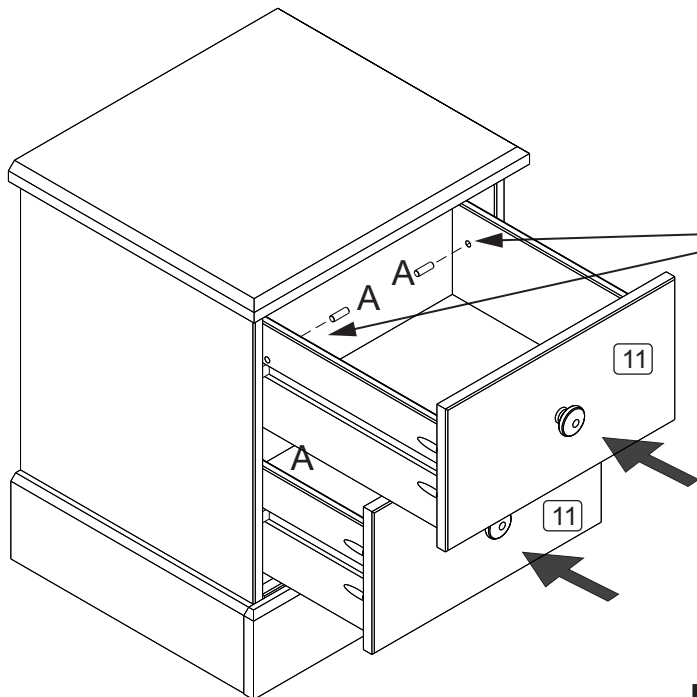
14

2x



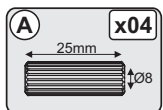


Fixing drawer safety stops
 1; Insert drawers into frame
 by approximately 50mm.



2; Push wooden dowels
 in through the pre-drilled
 holes close to the back
 of the drawer sides until
 they are level with the
 inside edge of the
 drawer sides.

3; Check the position of
 the drawer stops are
 correct by opening and
 closing the drawers.



IMPORTANT NOTICE

Please avoid opening all drawers or doors simultaneously
 as this could cause your furniture to fall forwards.
 Where there is a risk of this occurring, especially in
 environments with children or uneven floors
 we recommend that this item of furniture is attached to your
 wall using appropriate fixings (not supplied).