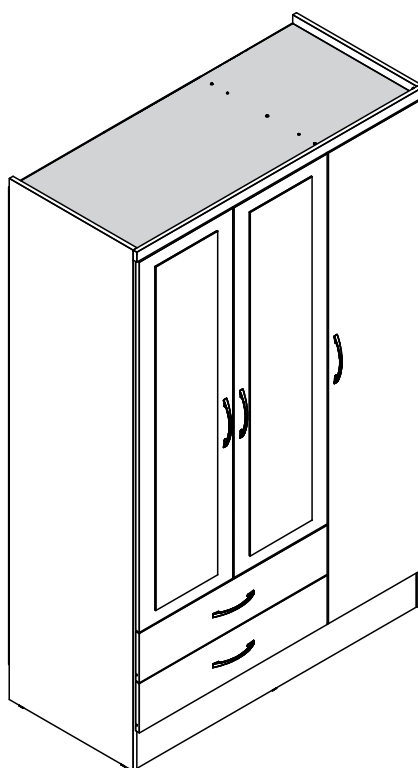


# NEVADA 3 DOOR 2 DRAWER WARDROBE ASSEMBLY INSTRUCTIONS



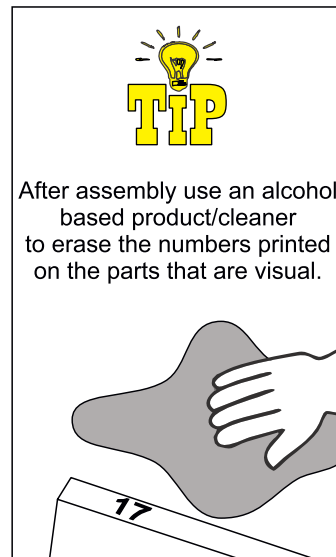
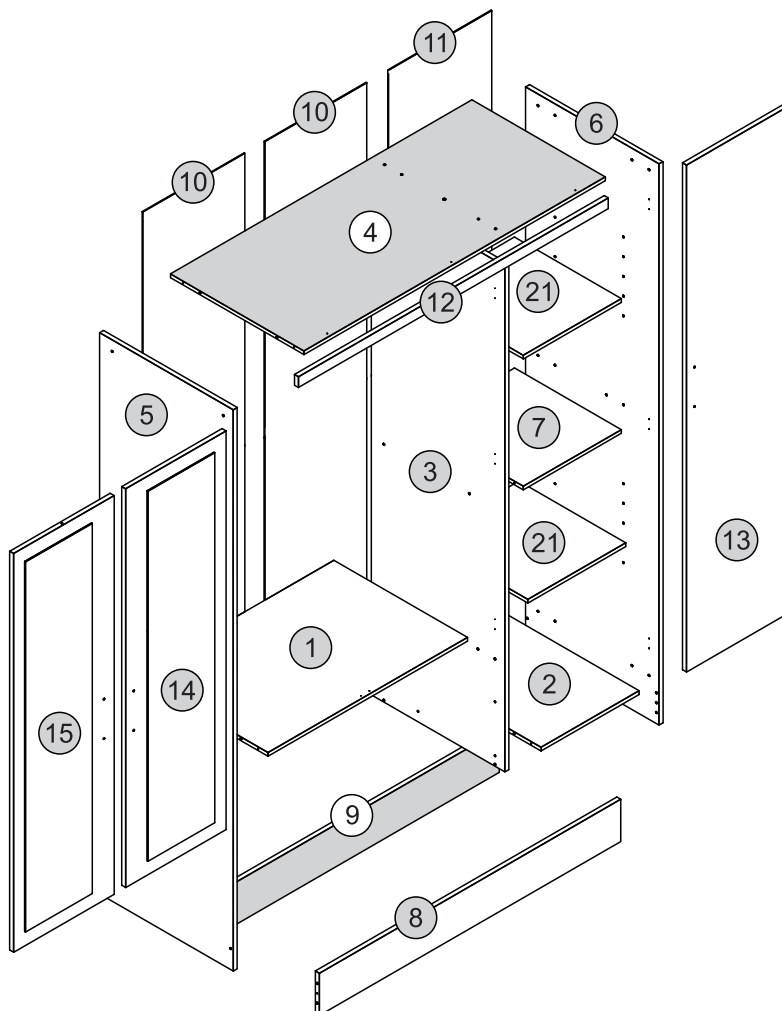
## **IMPORTANT FOR DOMESTIC USE ONLY**

**PLEASE READ BEFORE YOU CONTINUE FURTHER**

# **CARE AND MAINTENANCE**

After unpacking this product please keep the original packaging in case it needs to be returned for any reason.

- Please ensure all fittings and parts are present before commencing with assembly.
- Never drag or push products as this could cause damage to the joints making it inferior.
- We strongly recommend that you keep children away from your work area.
- We recommend that you lay a blanket or sheet on the floor to avoid damage to both your floor and the product.
- Assemble this product as close to its final position as possible.
- Do not place this product next to a radiator or in direct sunlight.
- Do not drag or push items across your high gloss furniture as this may cause the surface to scratch
- Wood is a natural product and may expand if subjected to damp and may shrink or crack if subjected to heat. Therefore it is recommended that room temperature is maintained, with no sudden temperature fluctuations.
- Make sure any spillage is wiped off immediately.
- Do not place hot or chilled items directly on to the surface, use a place mat or marking will occur.
- For general cleaning use a soft cotton or micro fibre cloth, and do not use detergents of any kind.
- From time to time it may be necessary to tighten fittings, regular inspections should be carried out.
- Do not place on a wet or damp floor as staining may occur to your floor.

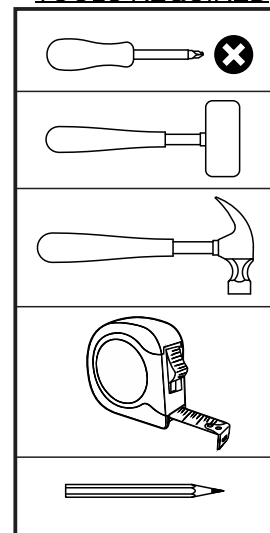


### PARTS LIST

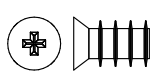
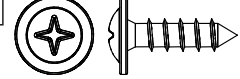
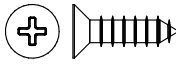
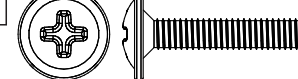
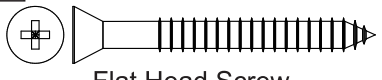



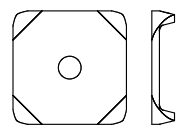
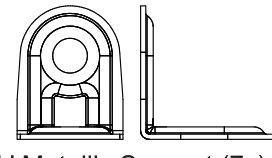
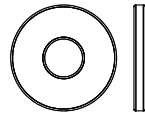
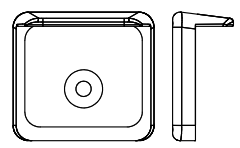
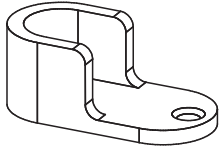
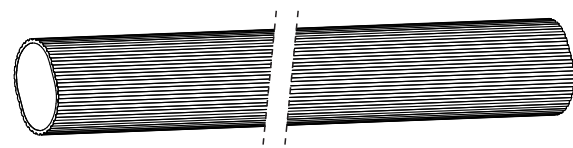
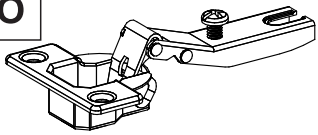
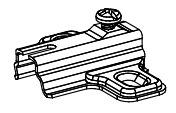
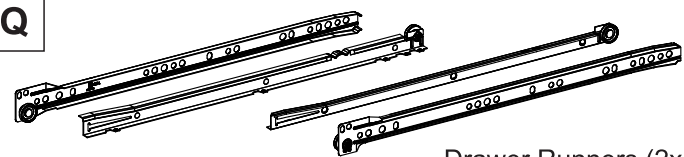
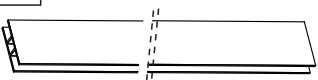




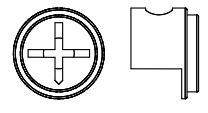
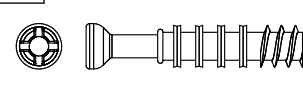
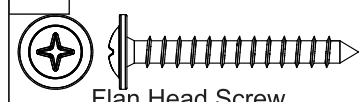
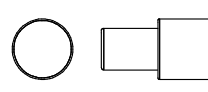

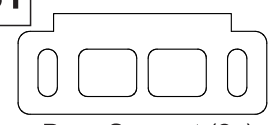
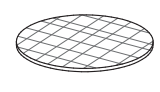
**Please Note:**  
The below parts have all been stamped with the part number to help identify them during assembly.

Part Number	Part Description	Quantity	Carton
01	Large Base Panel	1	2/3
02	Small Base Panel	1	2/3
03	Division Panel	1	1/3
04	Top Panel	1	2/3
05	Left Side Panel	1	1/3
06	Right Side Panel	1	1/3
07	Shelf	1	2/3
08	Front Baseboard	1	2/3
09	Back Baseboard	1	2/3
10	Small Back Panel	2	3/3
11	Large Back Panel	1	3/3
12	Frame	1	1/3
13	Large Door	1	3/3
14	Right Small Door	1	3/3
15	Left Small Door	1	3/3
16	Drawer Side	4	2/3
17	Drawer Back Panel	2	2/3
18	Drawer Front	2	2/3
19	Drawer Botom	2	1/3
20	Drawer Botom Support Bar	2	2/3
21	Movable Shelf	2	2/3

### TOOLS REQUIRED

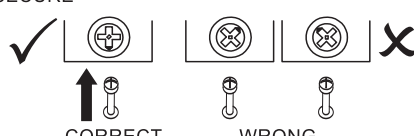


## FITTINGS LIST

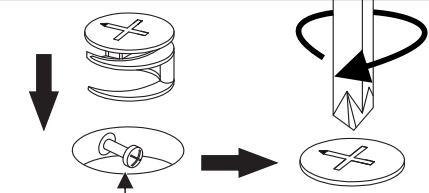
<p><b>A</b></p>  <p>Flat Head Screw Ø6,0 x 10mm (8x)</p> <p>1/+</p>	<p><b>B</b></p>  <p>Flan Head Screw Ø4,0 x 14mm (9x)</p> <p>1/+</p>	<p><b>C</b></p>  <p>Flat Head Screw Ø4,0 x 14mm (52x)</p> <p>2/+</p>	<p><b>D</b></p>  <p>Flan Head Screw Ø4,0 x 20mm (10x)</p> <p>2/+</p>
<p><b>E</b></p>  <p>Flat Head Screw Ø3,5 x 40mm (4x)</p> <p>1/+</p>	<p><b>F</b></p>  <p>Flat Head Screw Ø4,0 x 50mm (26x)</p> <p>2/+</p>		<p><b>G</b></p>  <p>2/+ Dowel Ø6,0 x 30mm (46x)</p>
<p><b>H</b></p>  <p>2/+ Nail 10 x 10 (88x)</p>	<p><b>I</b></p>  <p>2/+ Back Panel Bracket (16x)</p>	<p><b>J</b></p>  <p>1/+ 'L' Metallic Support (7x)</p>	<p><b>K</b></p>  <p>1/+ Washer (4x)</p>
<p><b>L</b></p>  <p>1/+ Plastic Foot (6x)</p>	<p><b>M</b></p>  <p>Hanging Rail Support (2x)</p>	<p><b>N</b></p>  <p>Hanging Rail (1x)</p>	
<p><b>O</b></p>  <p>Hinge (9x)</p>	<p><b>P</b></p>  <p>Hinge Plate (9x)</p>	<p><b>Q</b></p>  <p>Drawer Runners (2x)</p>	
<p><b>R</b></p>  <p>Back Panel Strip (1x)</p>	<p><b>S</b></p>  <p>Strap (2x)</p>	<p><b>T</b></p>  <p>Handle (5x)</p>	<p><b>U</b></p>  <p>4/+ Hole Plugs (14x)</p>
<p><b>V</b></p>  <p>Glue (2x)</p>	<p><b>W</b></p>  <p>1/+ Cam Nut (4x)</p>	<p><b>X</b></p>  <p>1/+ Cam Bolt (4x)</p>	<p><b>Y</b></p>  <p>1/+ Flan Head Screw Ø3,5 x 30mm (2x)</p>
<p><b>Z</b></p>  <p>1/+ Support Pin (8x)</p>	<p><b>A1</b></p>  <p>2/+ Flat Head Screw Ø4,0 x 12mm (18x)</p>	<p><b>B1</b></p>  <p>Door Support (2x)</p>	<p><b>C1</b></p>  <p>4/+ Hole Plugs (08x)</p>

### TIPS FOR FITTINGS CAM-LOCKS

WHEN FITTING CAM NUT. ENSURE STARTING POSITION IS CORRECT BEFORE YOU INSERT CONNECTING CAM BOLT TURN CLOCKWISE UNTIL SECURE



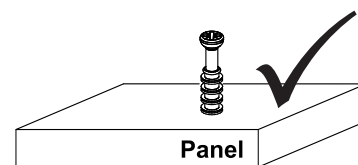
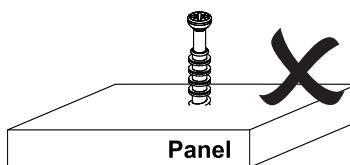
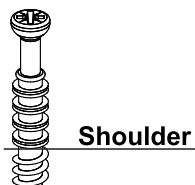
↑ CORRECT
↑ WRONG



**Cam bolt head needs to be in centre**

#### **CAMBOLT**

Tighten until shoulder in flush with panel. Do not overtighten or undertighten (see example beside)





# STEP 1

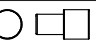
## PARTS REQUIRED

3 - DIVISION PANEL x1

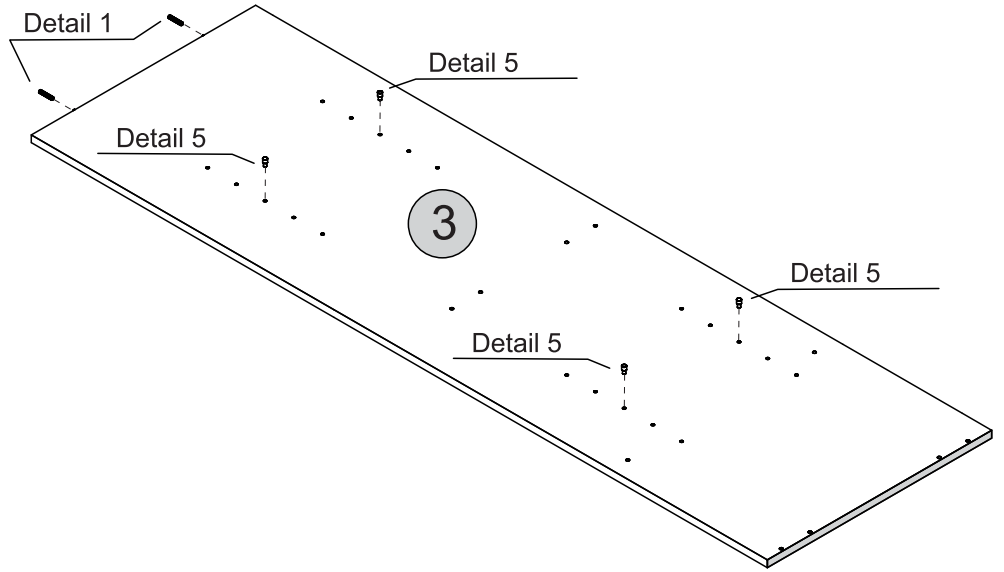
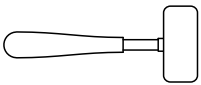
## HARDWARE REQUIRED

G  02  
Ø6.0 x 30mm

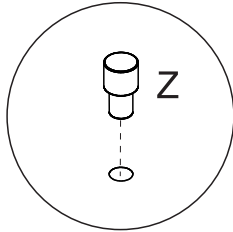
V  01  
Glue

Z  04

## TOOLS REQUIRED



Detail 1



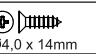
Detail 5

# STEP 2

## PARTS REQUIRED

3 - DIVISION PANEL x1

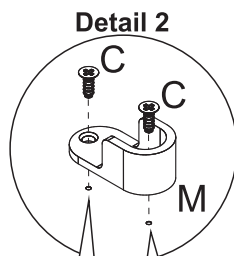
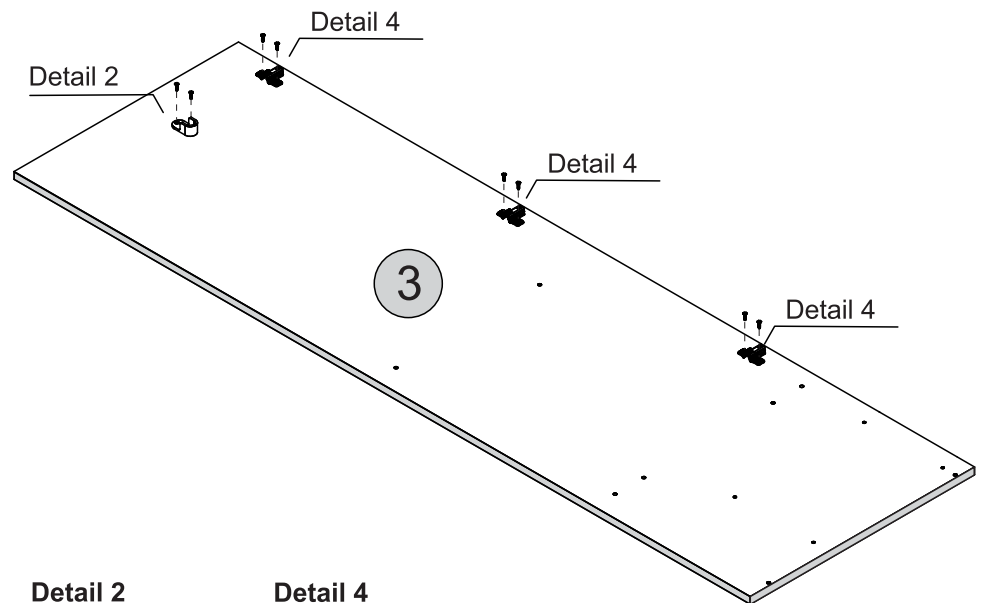
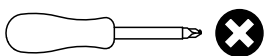
## HARDWARE REQUIRED

C  08  
Ø4,0 x 14mm

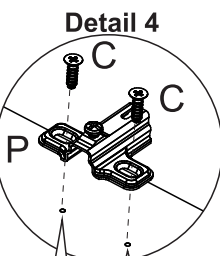
M  01

P  03

## TOOLS REQUIRED



Please note:  
Pre-marked  
Holes




Please note:  
Pre-marked  
Holes


# STEP 3

## PARTS REQUIRED

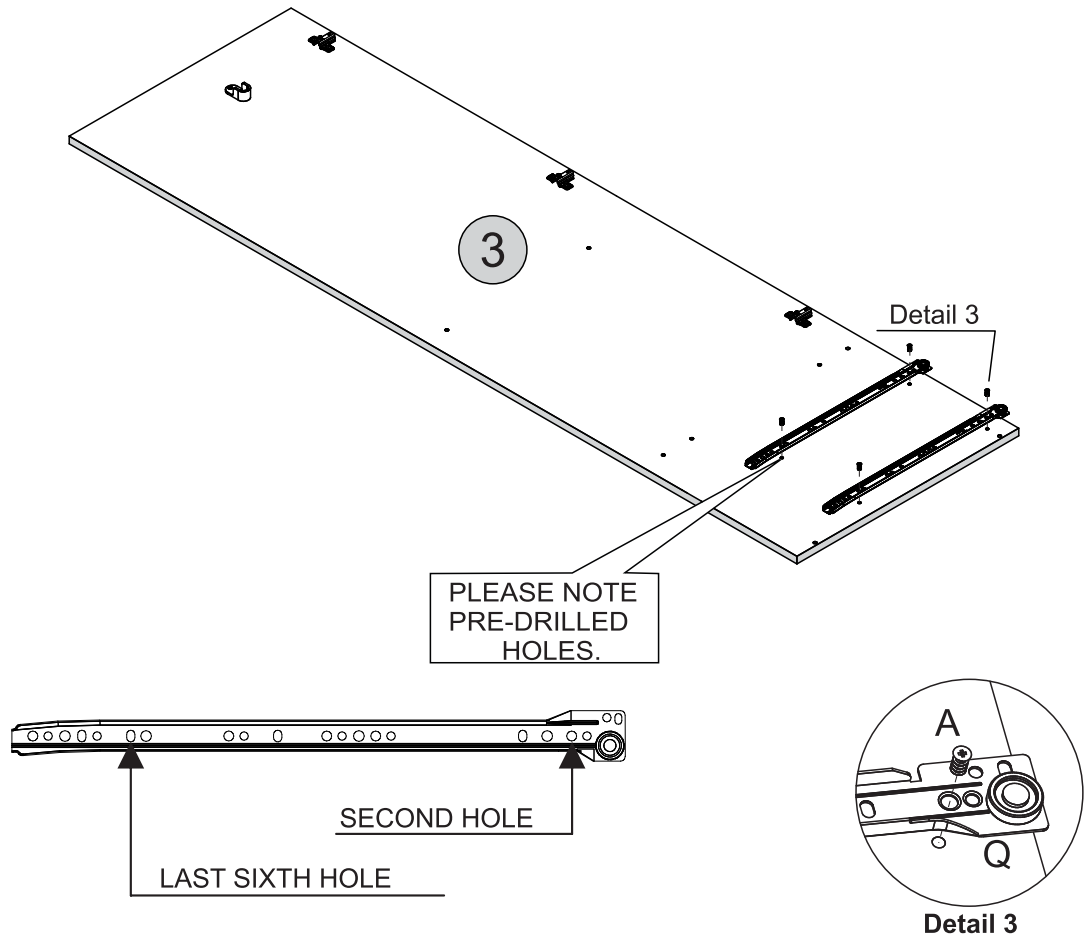
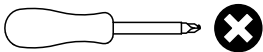
3 - DIVISION PANEL x1

## HARDWARE REQUIRED

A  04  
Ø6,0 x 10mm

Q  02  
Right

## TOOLS REQUIRED

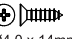


# STEP 4

## PARTS REQUIRED

5 - LEFT SIDE PANEL x1

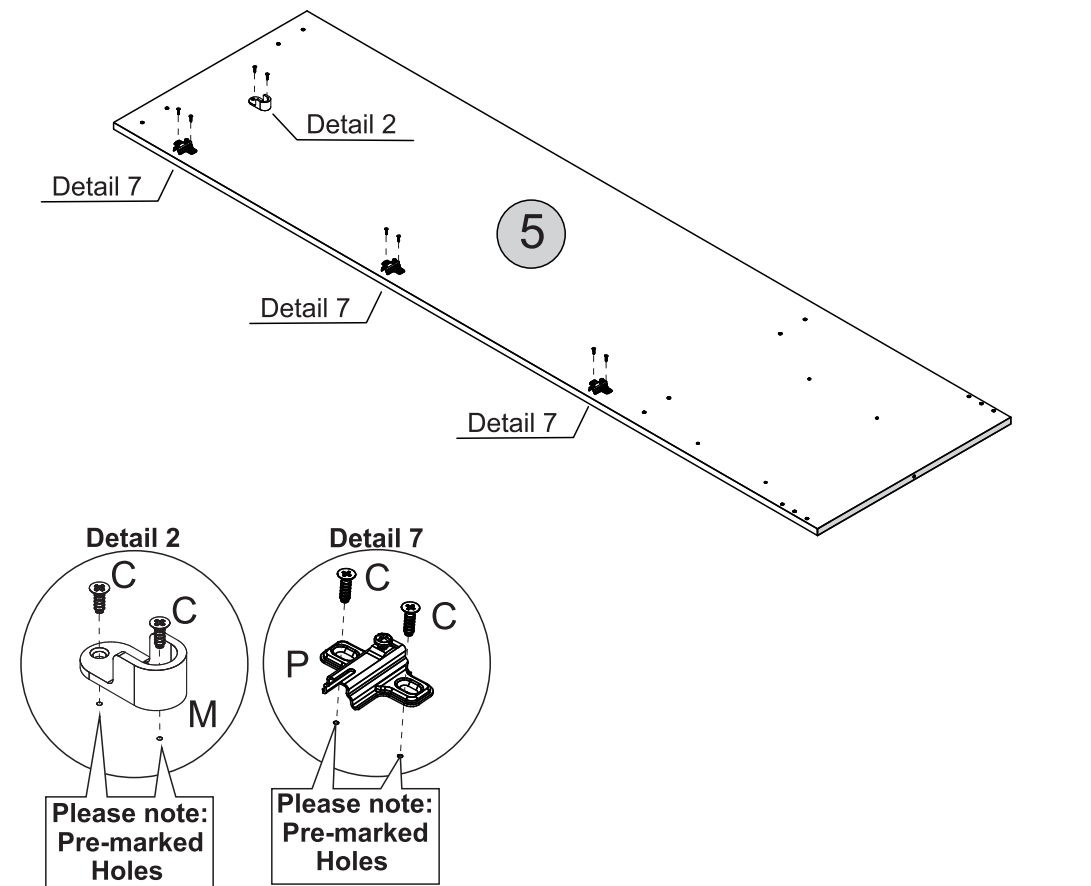
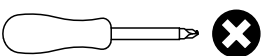
## HARDWARE REQUIRED

C  08  
Ø4,0 x 14mm

M  01

P  03

## TOOLS REQUIRED



# STEP 5

## PARTS REQUIRED

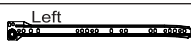
5 - LEFT SIDE PANEL x1

## HARDWARE REQUIRED

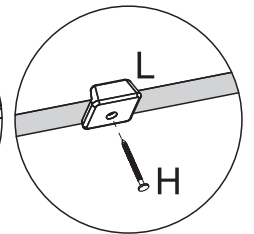
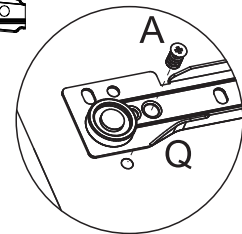
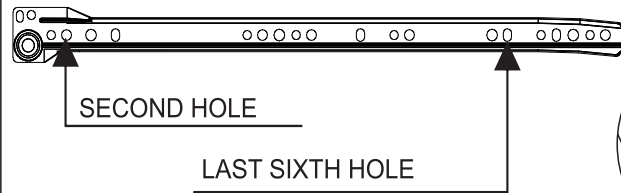
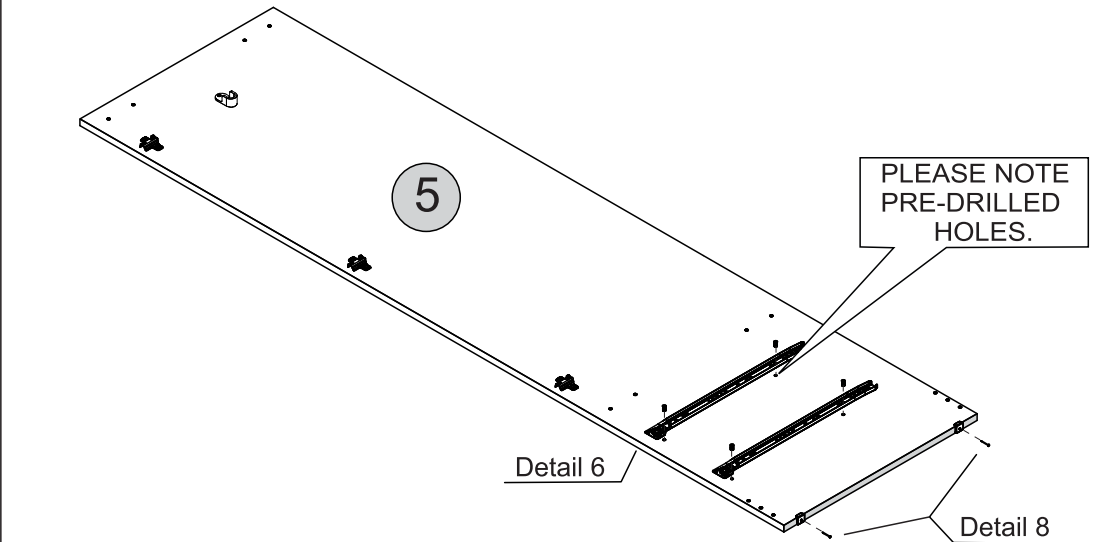
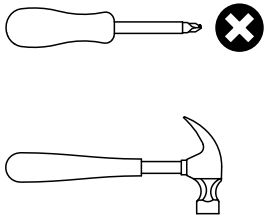
A  04  
Ø6,0 x 10mm

H  02

L  02

Q  02

## TOOLS REQUIRED

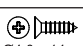


# STEP 6

## PARTS REQUIRED

6 - RIGHT SIDE PANEL x1

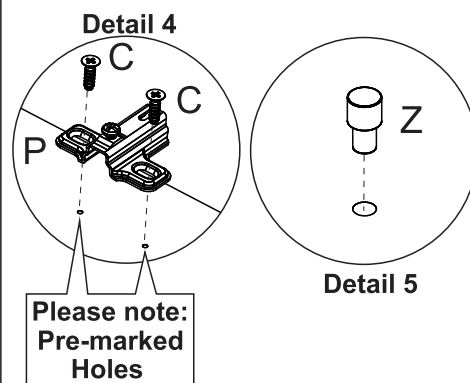
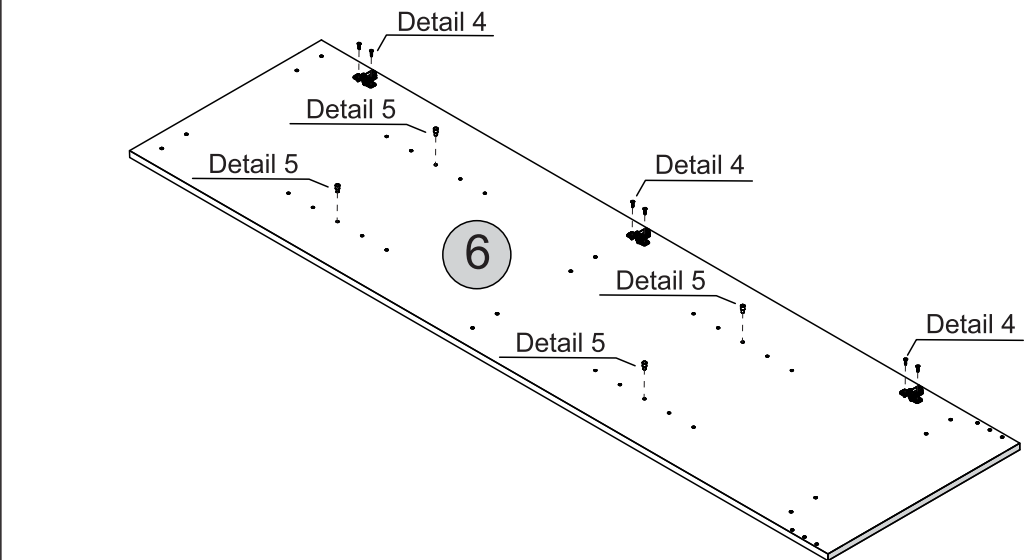
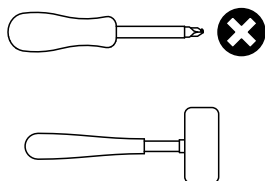
## HARDWARE REQUIRED

C  06  
Ø4,0 x 14mm

P  03

Z  04

## TOOLS REQUIRED



# STEP 7


## PARTS REQUIRED

6 - RIGHT SIDE PANEL x1

8 - FRONT BASEBOARD x1

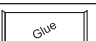
9 - BACK BASEBOARD x1

## HARDWARE REQUIRED

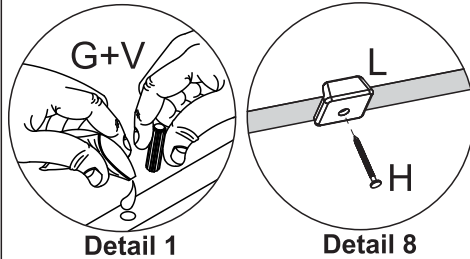
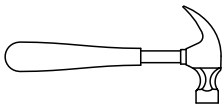
G  08  
Ø6,0 x 30mm

H  04

L  04

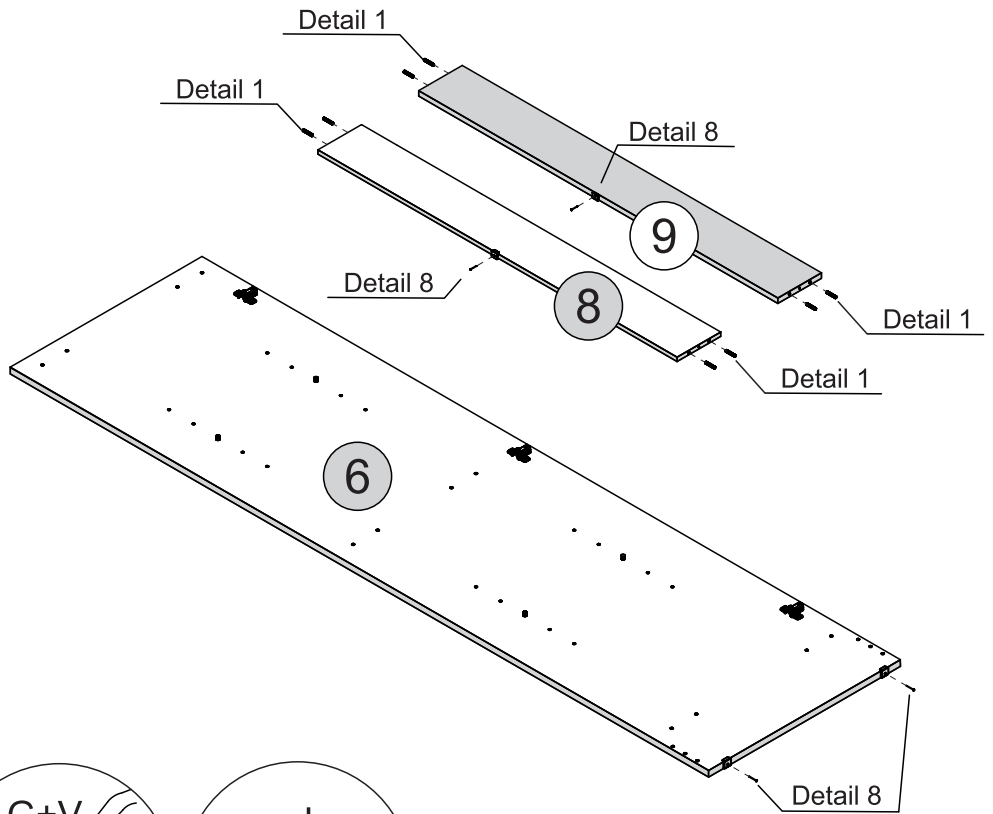
V  01

## TOOLS REQUIRED



Detail 1

Detail 8



# STEP 8

## PARTS REQUIRED


1 - LARGE BASE PANEL x1


2 - SMALL BASE PANEL x1

4 - TOP PANEL x1

7 - SHELF x1

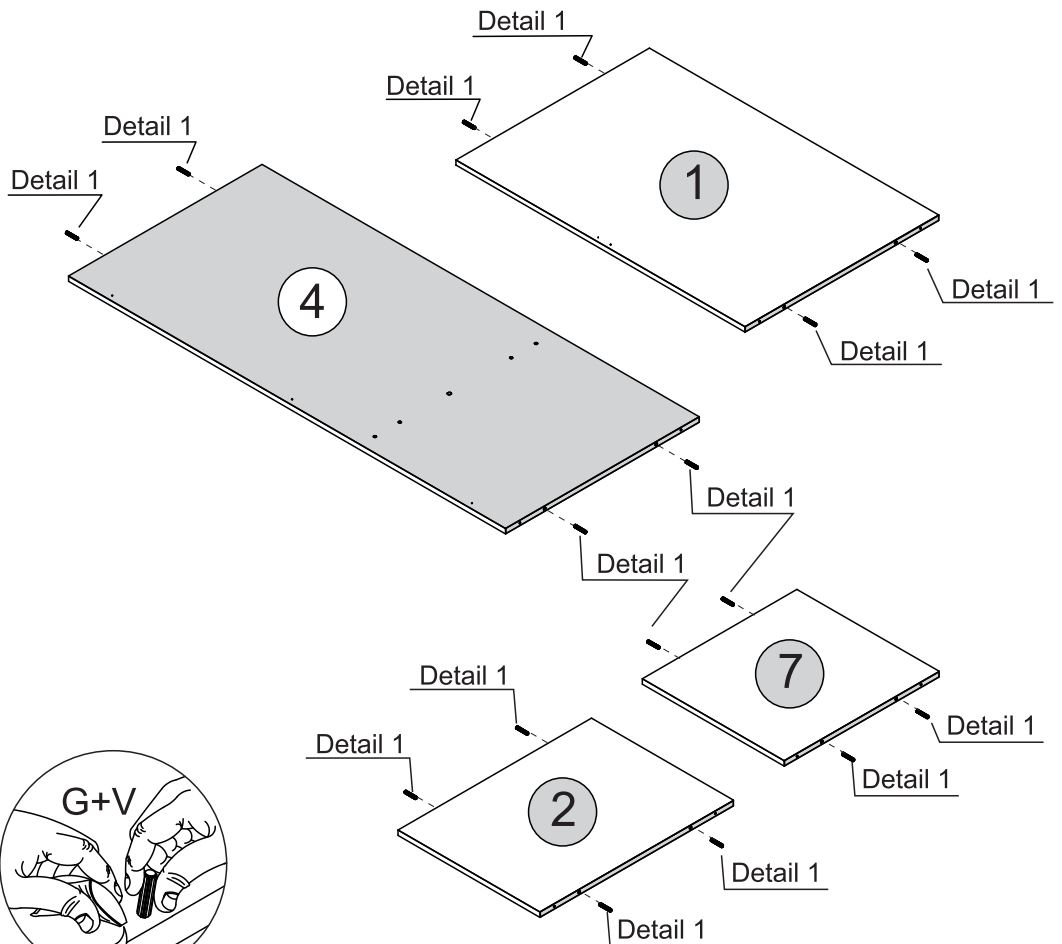
## HARDWARE REQUIRED

G  16  
Ø6,0 x 30mm

V  01



Detail 1



# STEP 9

## PARTS REQUIRED

1 - LARGE BASE PANEL x1

4 - TOP PANEL x1

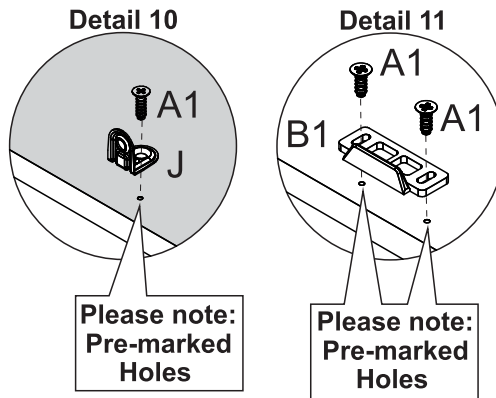
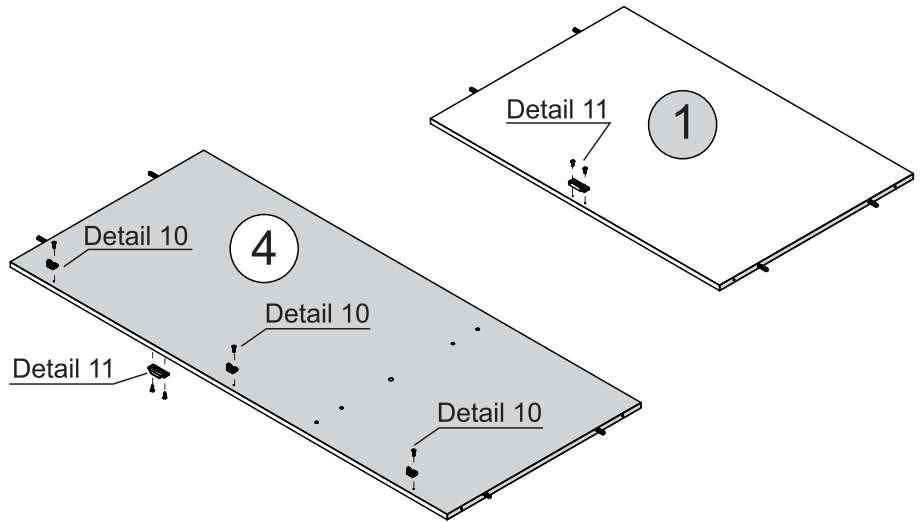
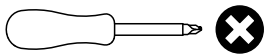
## HARDWARE REQUIRED

A1  07  
Ø4,0 x 12mm

B1  02

J  03

## TOOLS REQUIRED



# STEP 10

## PARTS REQUIRED

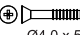
1 - LARGE BASE PANEL x1

2 - SMALL BASE PANEL x1

3 - DIVISION PANEL x1

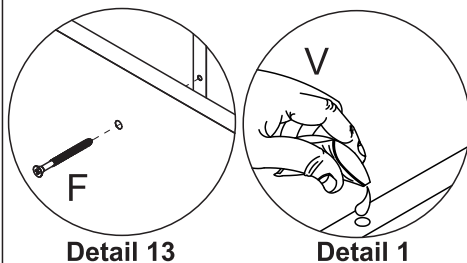
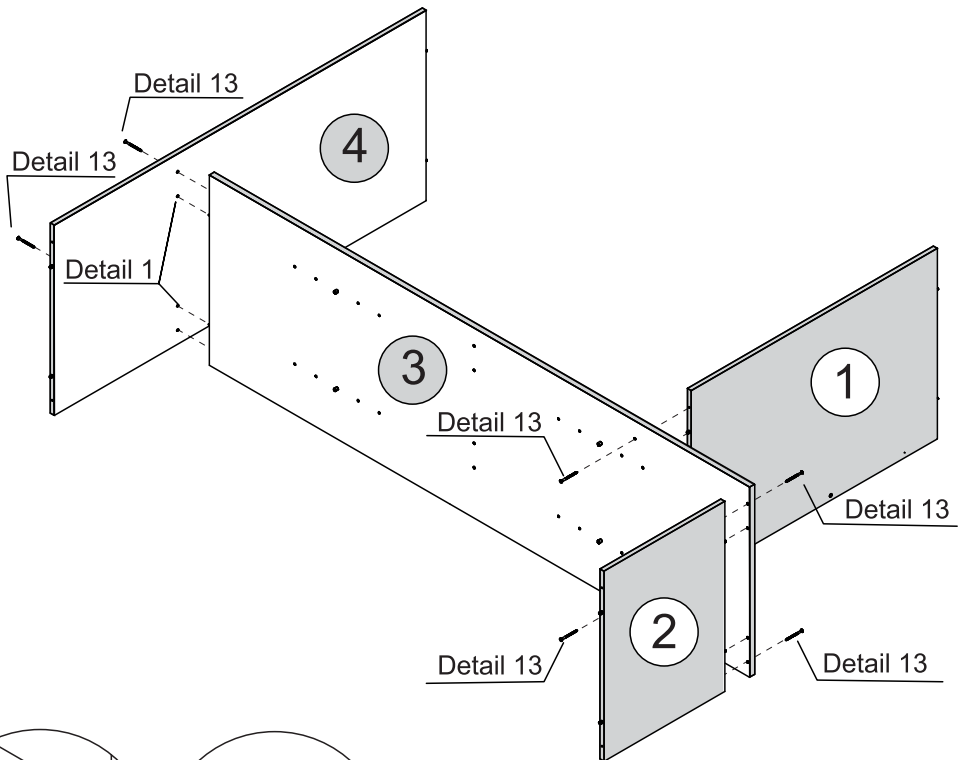
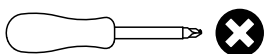
4 - TOP PANEL x1

## HARDWARE REQUIRED

F  06  
Ø4,0 x 50mm

V  01

## TOOLS REQUIRED

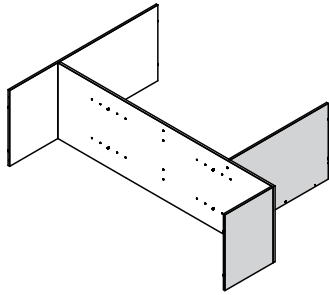





# STEP 11

## PARTS REQUIRED

5 - LEFT SIDE PANEL x1

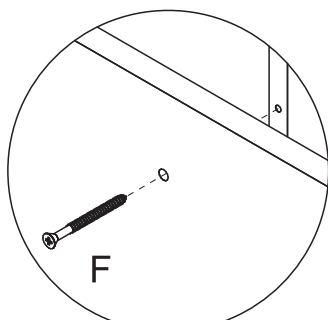
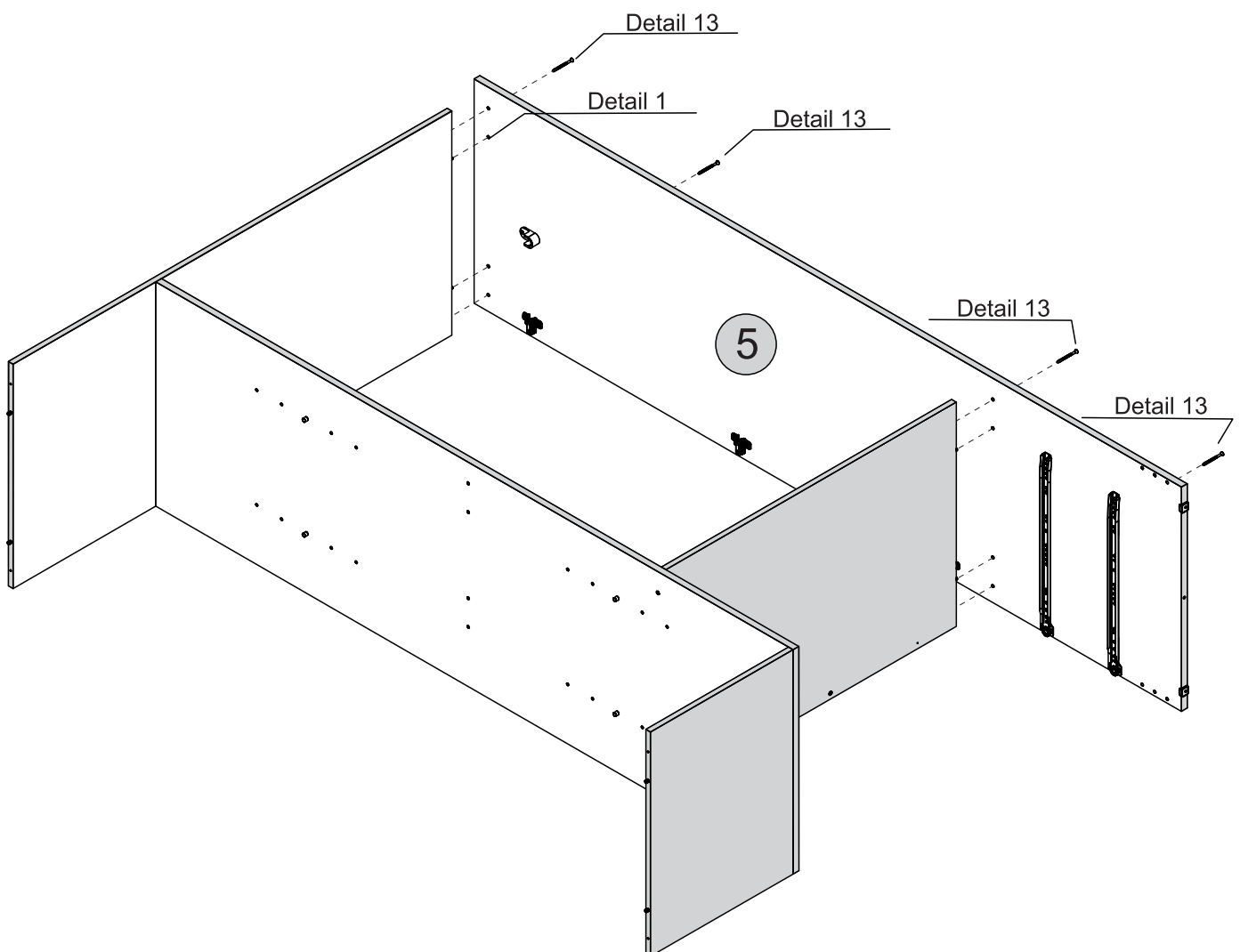
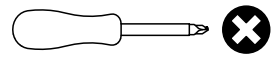


## HARDWARE REQUIRED

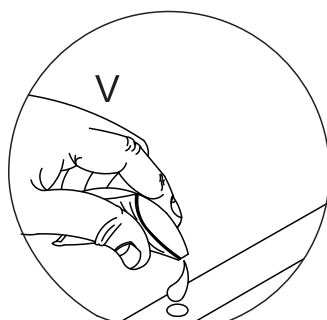
F  Ø4,0 x 50mm 04

V  01

## TOOLS REQUIRED



Detail 13



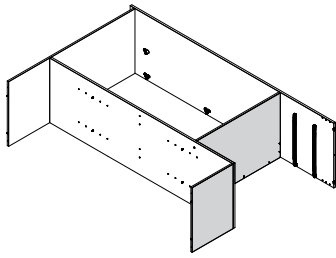
Detail 1

# STEP 12

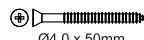

## PARTS REQUIRED

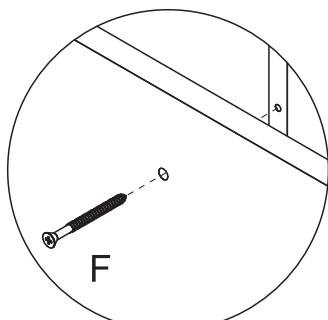
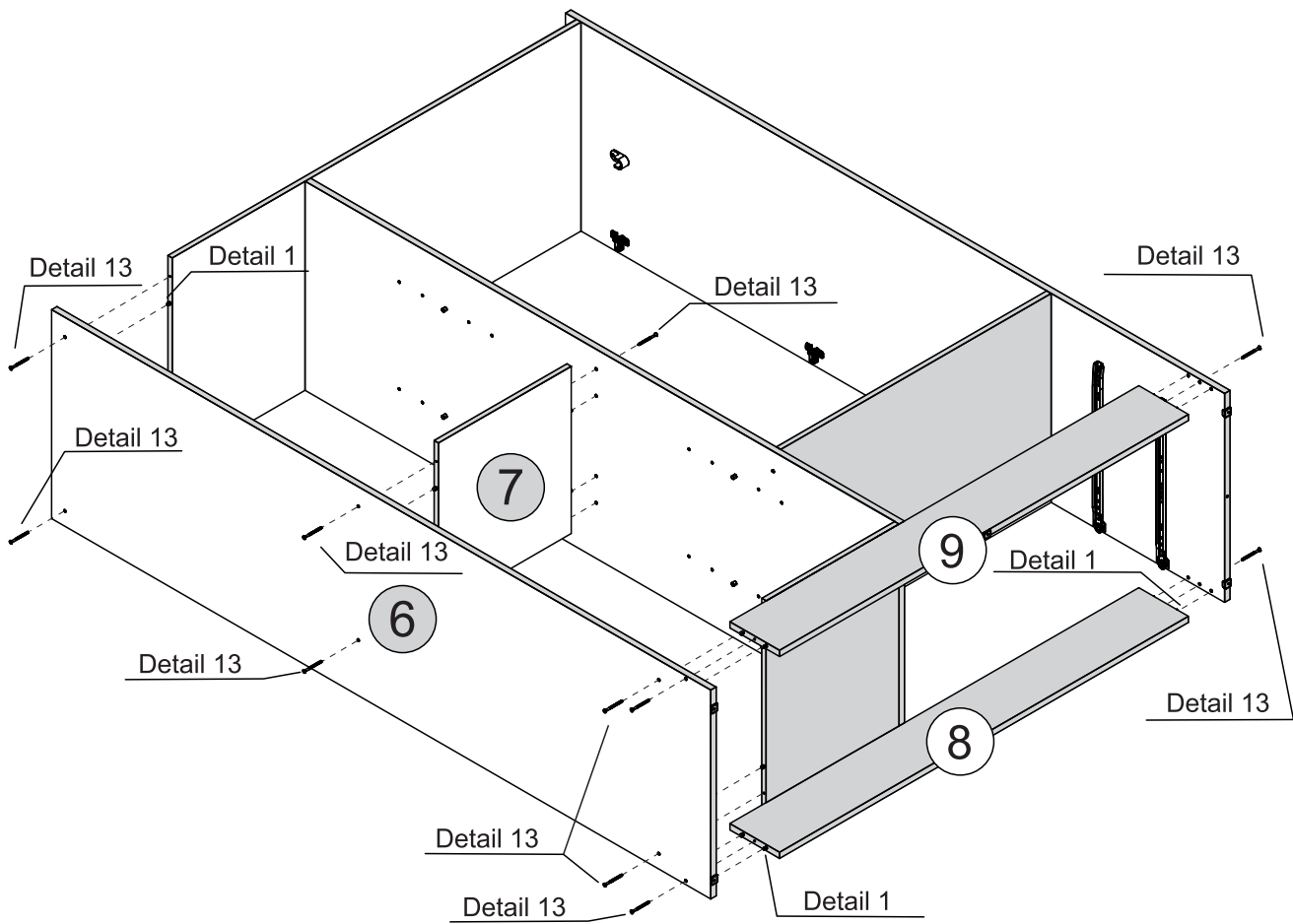
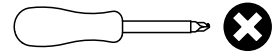
## HARDWARE REQUIRED

## TOOLS REQUIRED

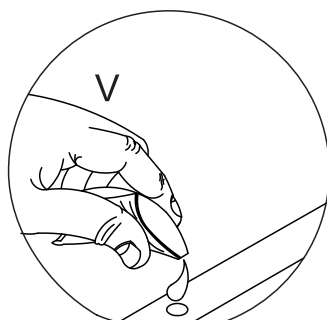


6 - RIGHT SIDE PANEL	x1
7 - SHELF	x1
8 - FRONT BASEBOARD	x1
9 - BACK BASEBOARD	x1

F	 Ø4,0 x 50mm	12
V	 Glue	01



Detail 13

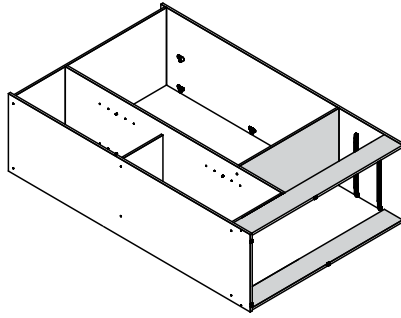


Detail 1

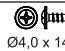
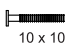
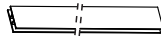
# STEP 13

## PARTS REQUIRED

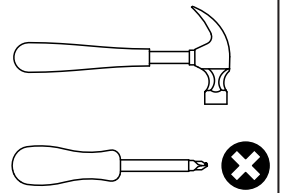
- 10 - SMALL BACK PANEL x2
- 11 - LARGE BACK PANEL x1



## HARDWARE REQUIRED

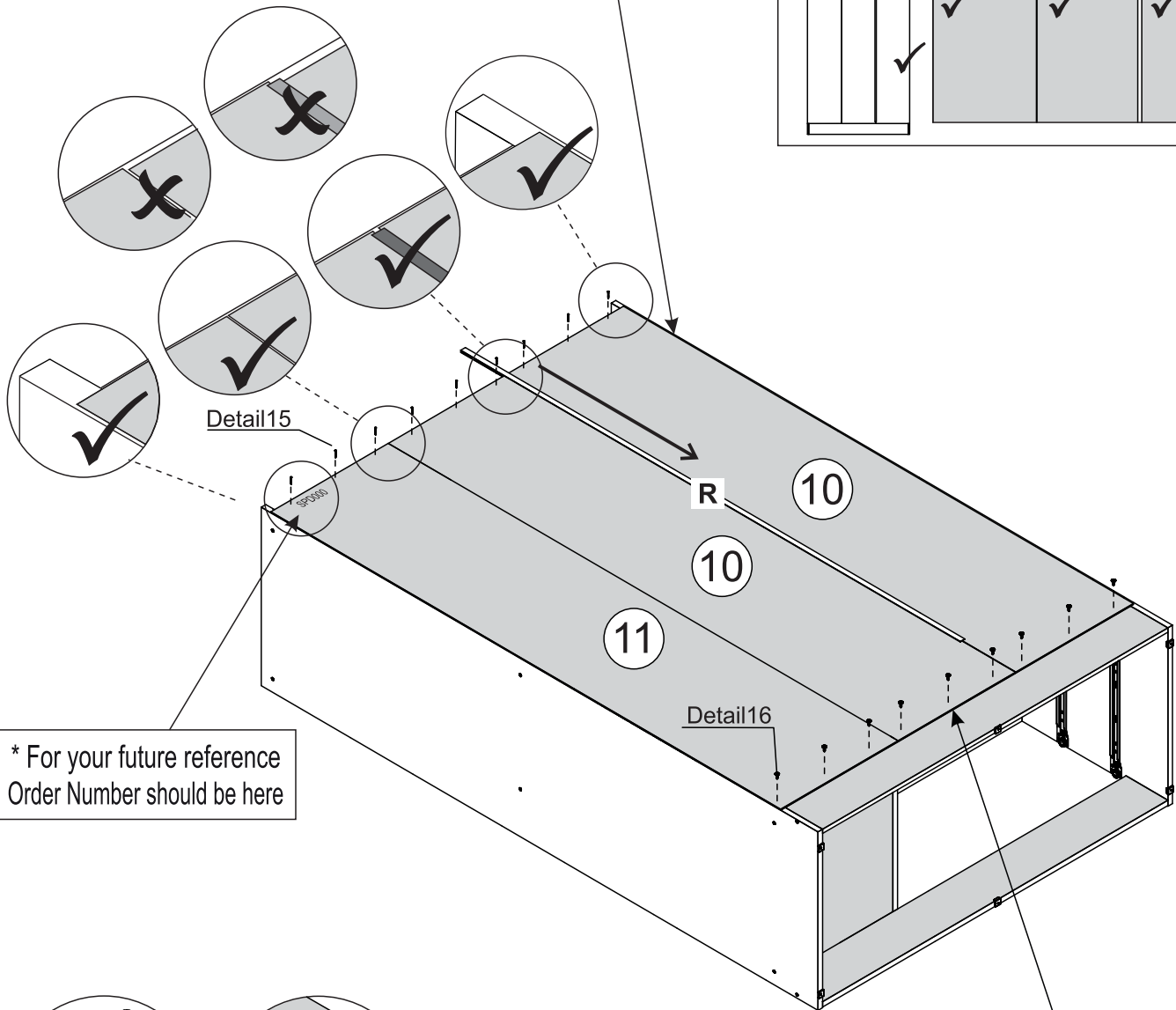
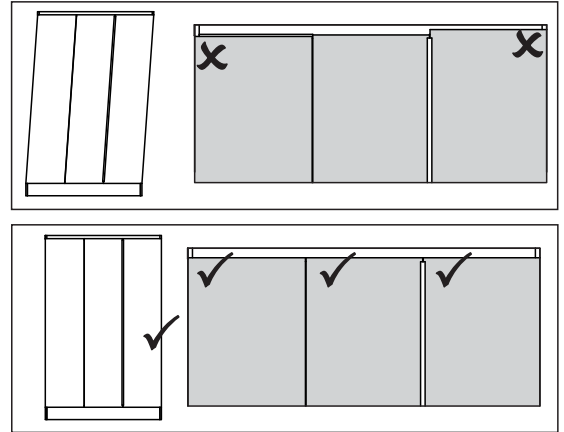
- B  09  
Ø4,0 x 14mm
- H  09  
10 x 10
- R  01

## TOOLS REQUIRED



### IMPORTANT PLEASE FOLLOW !

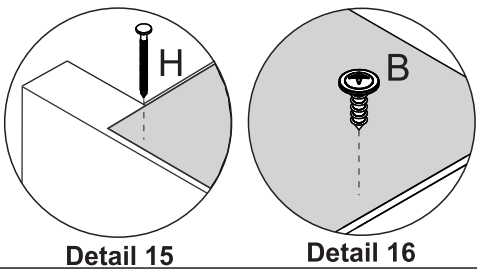
Please make sure Part 10/11 is lined up correctly at the top before placing fitting H into the panel as this can affect the alignment of the doors once assembled.



\* For your future reference Order Number should be here

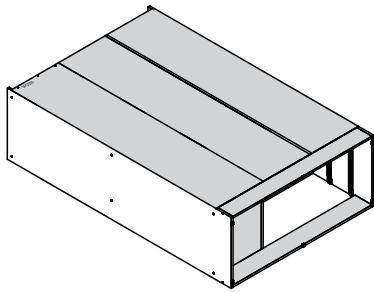
### IMPORTANT PLEASE FOLLOW !

Please make sure Part 10/11 isn't overhanging at the sides before you screw fitting B into the plinth.

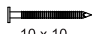



# STEP 14

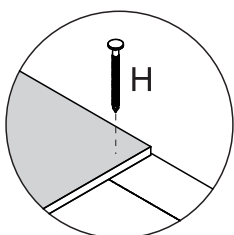
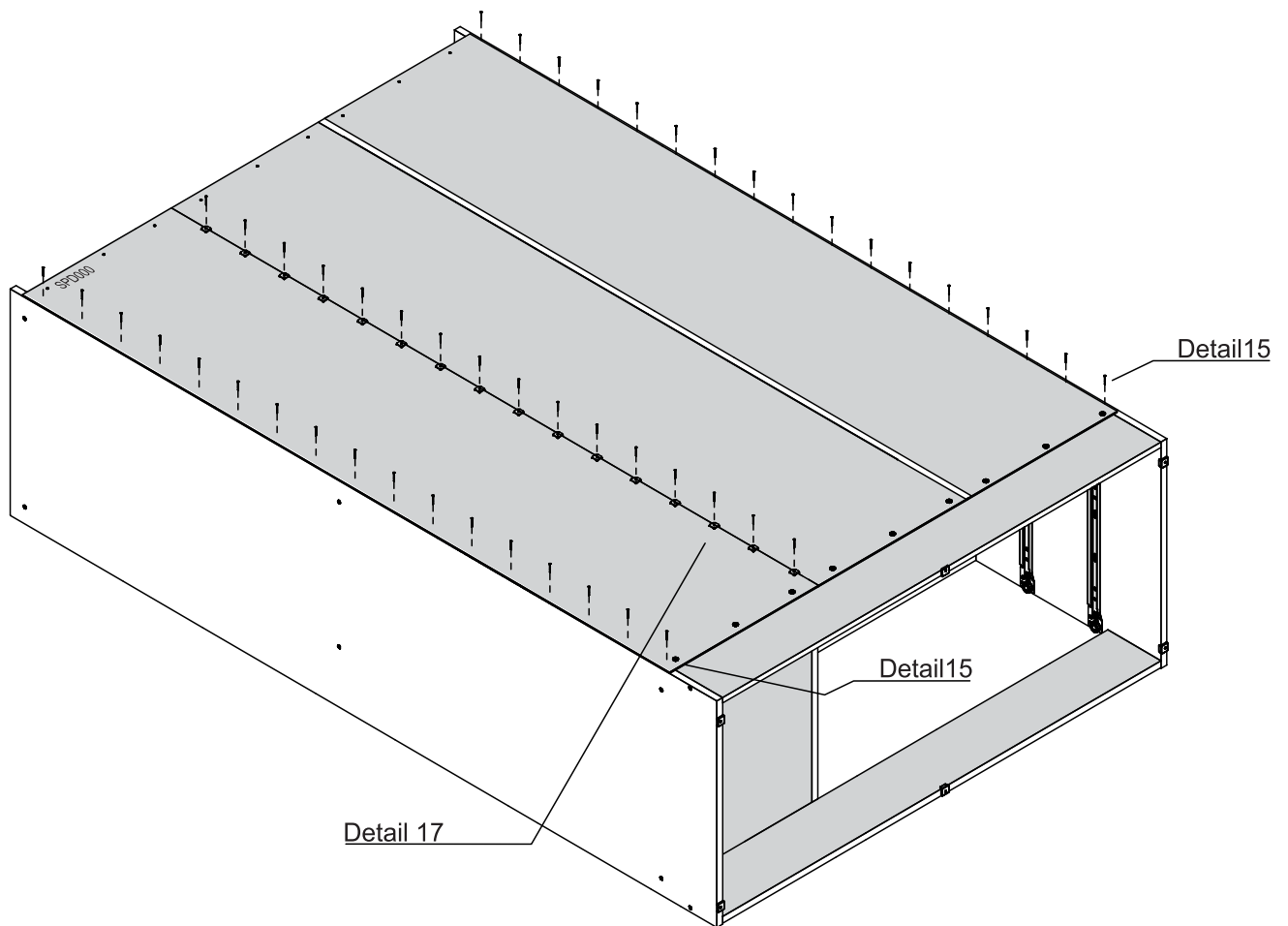
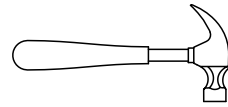
PARTS REQUIRED



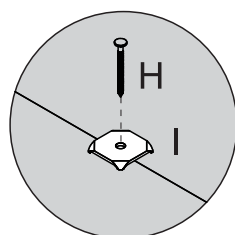
HARDWARE REQUIRED

H	 10 x 10	50
I		16

TOOLS REQUIRED



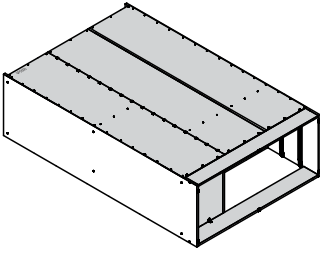
**Detail 15**



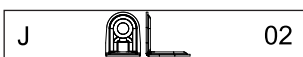
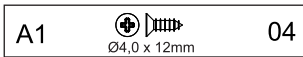
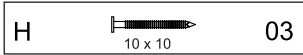
**Detail 17**

# STEP 15

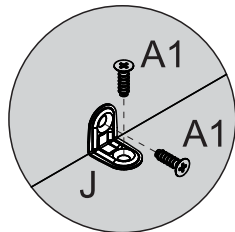
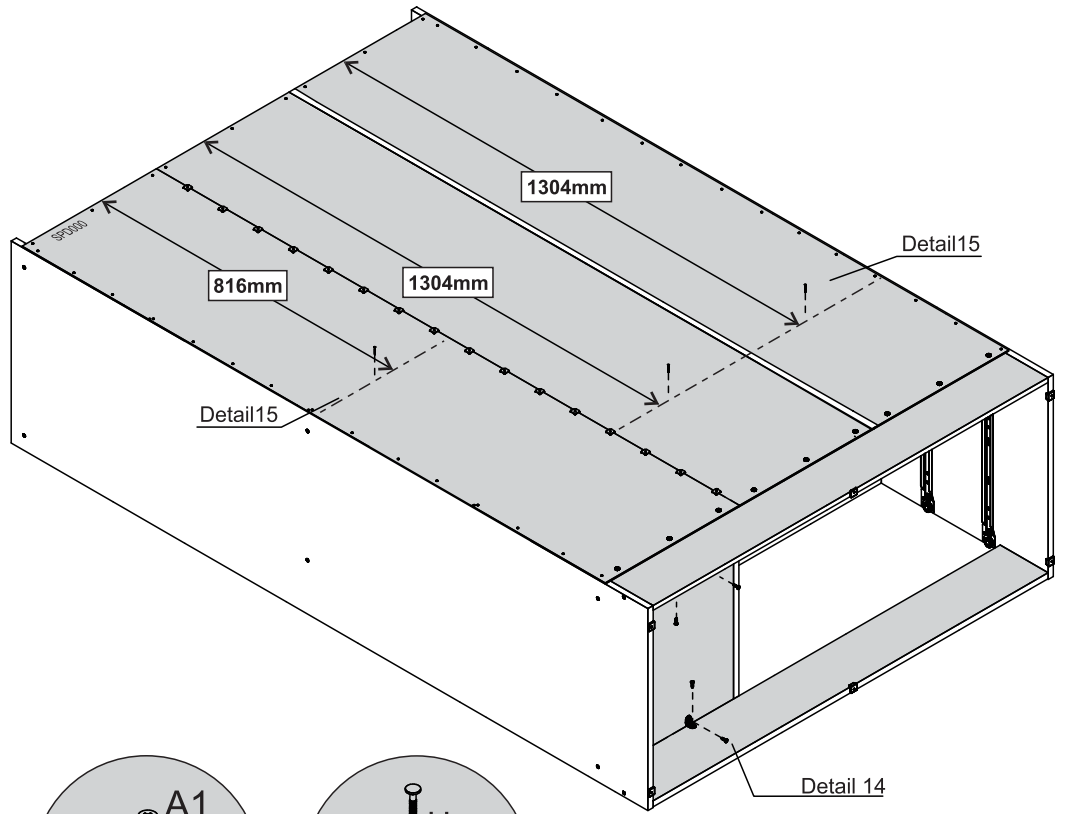
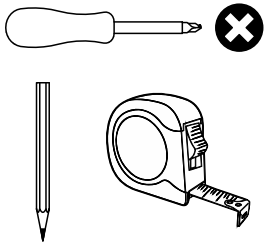
**PARTS REQUIRED**



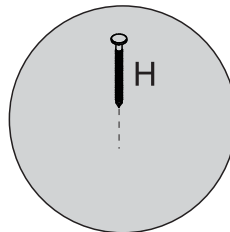
**HARDWARE REQUIRED**



**TOOLS REQUIRED**



Detail 14

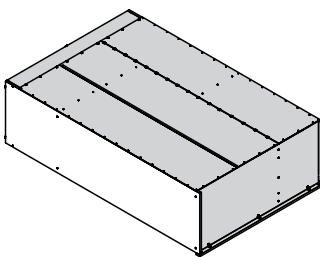


Detail 15

# STEP 16

**PARTS REQUIRED**

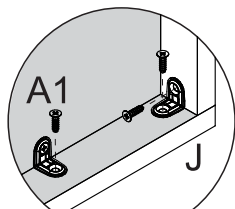
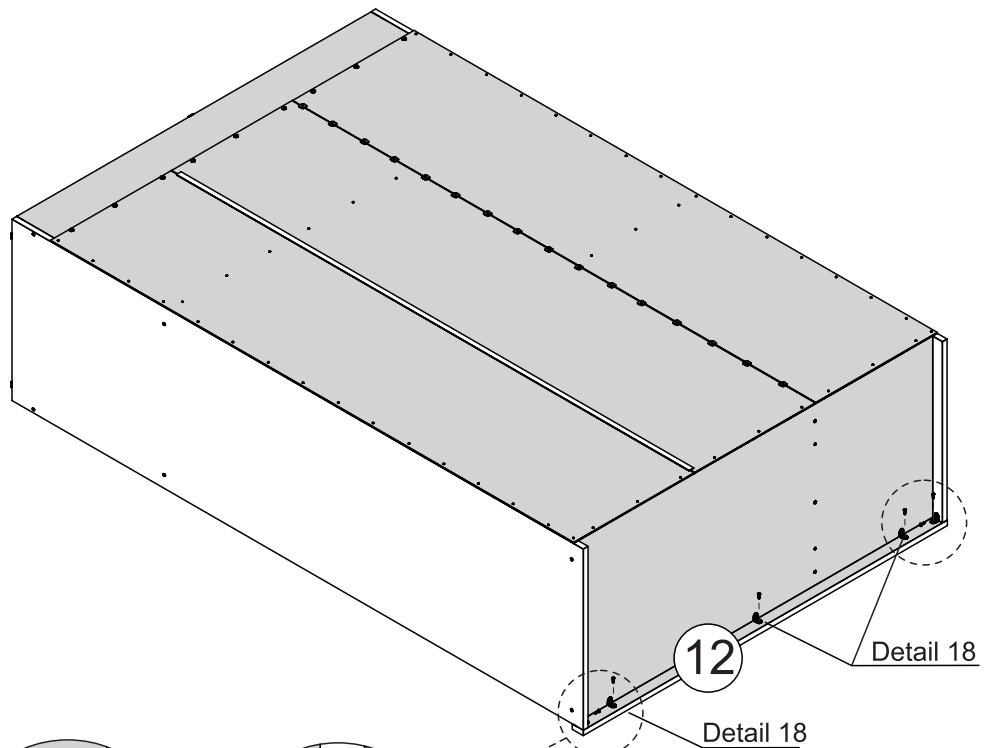
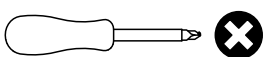
12 - FRAME x1



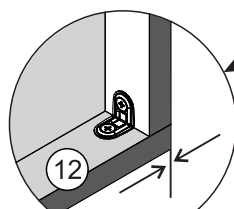
**HARDWARE REQUIRED**



**TOOLS REQUIRED**



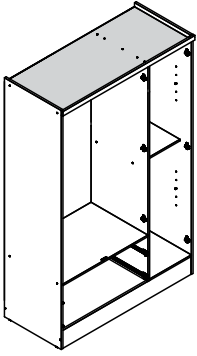
Detail 18



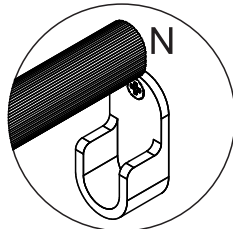
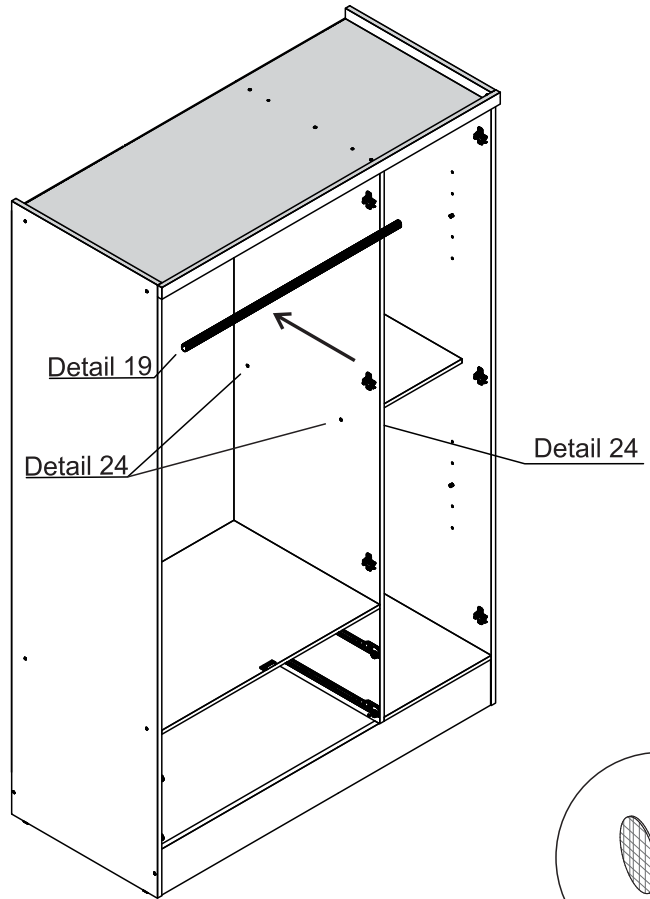
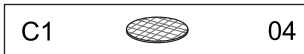
Align corners

# STEP 17

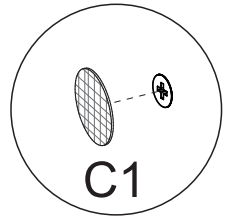
## PARTS REQUIRED



## HARDWARE REQUIRED



Detail 19



Detail 24

# STEP 18

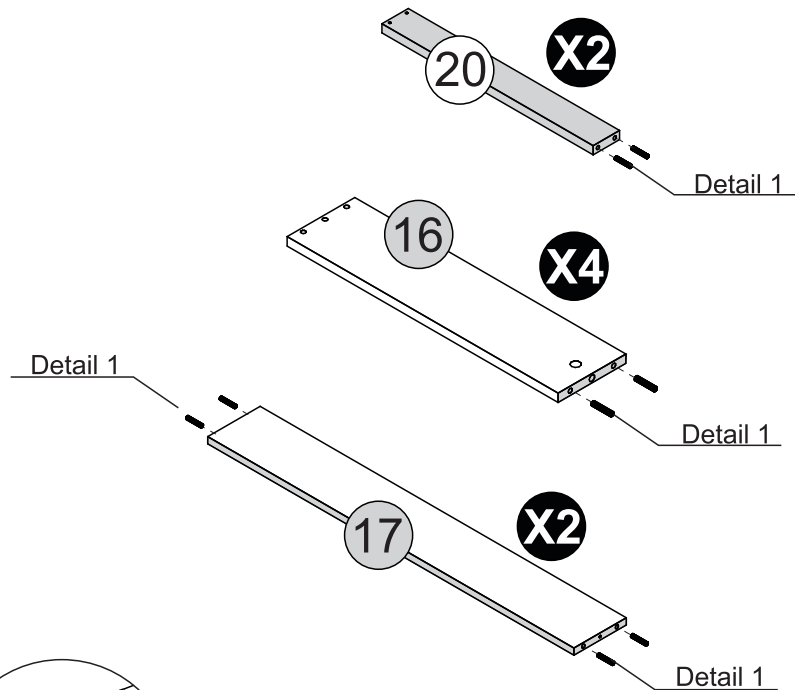
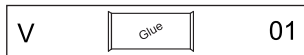
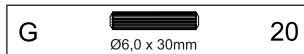
## PARTS REQUIRED

16 - DRAWER SIDE	x4
------------------	----

17 - DRAWER BACK PANEL	x2
------------------------	----

20 - DRAWER BOTTOM SUPPORT BARx2	
----------------------------------	--

## HARDWARE REQUIRED




Detail 1

# STEP 19

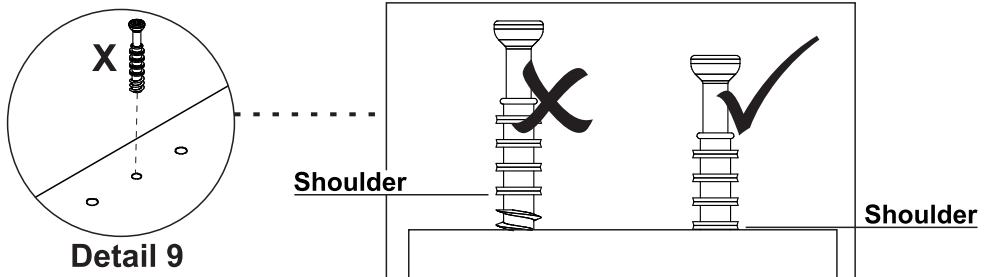
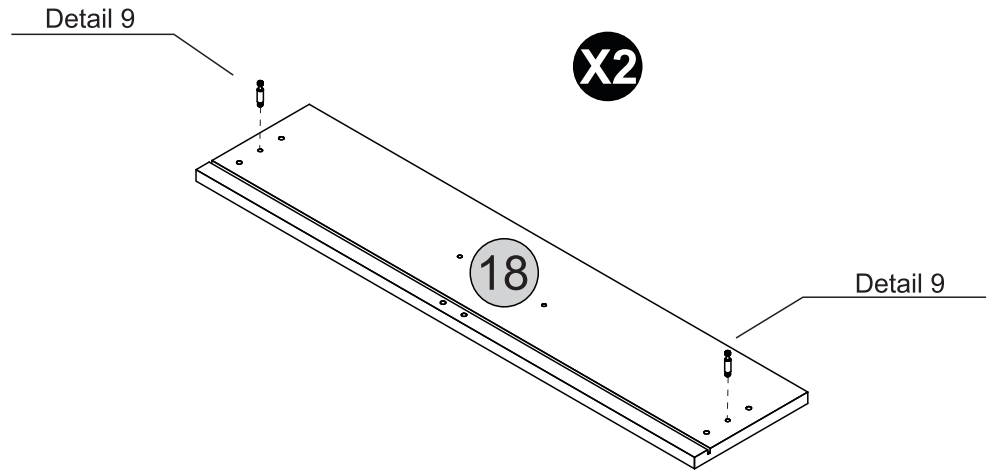
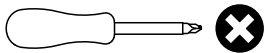
## PARTS REQUIRED

18 - DRAWER FRONT x2

## HARDWARE REQUIRED

X  04

## TOOLS REQUIRED



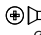
# STEP 20

## PARTS REQUIRED

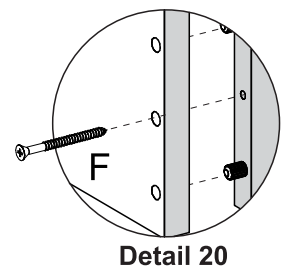
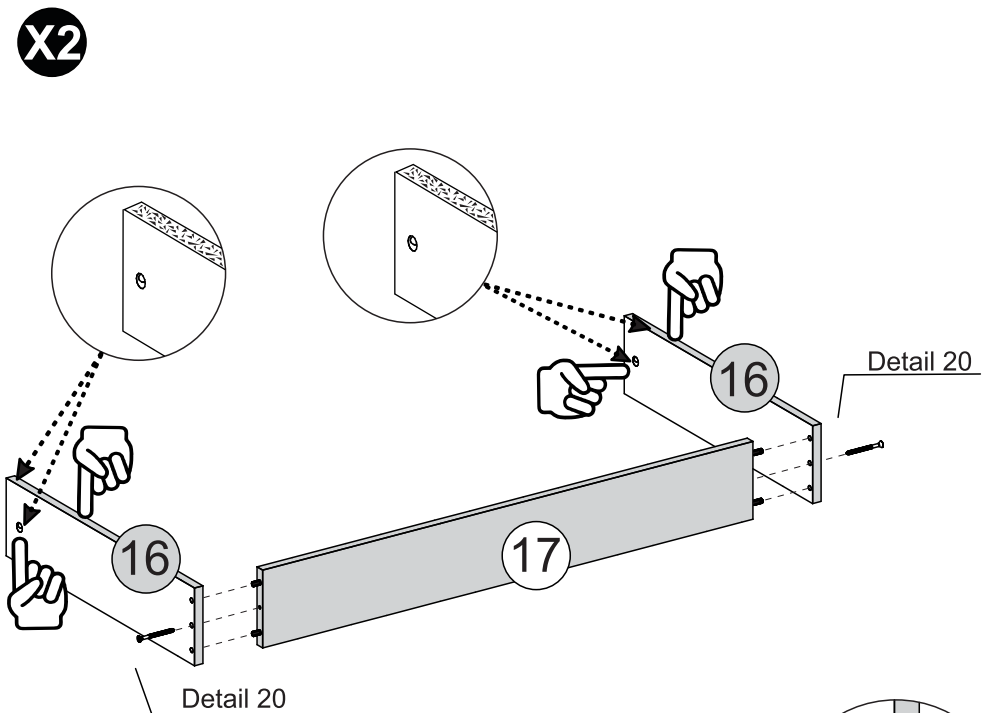
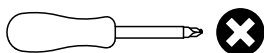
16 - DRAWER SIDE x4

17 - DRAWER BACK PANEL x2

## HARDWARE REQUIRED

F  Ø4,0 x 50mm 04

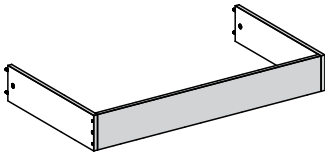
## TOOLS REQUIRED



# STEP 21

## PARTS REQUIRED


18 - DRAWER FRONT x2



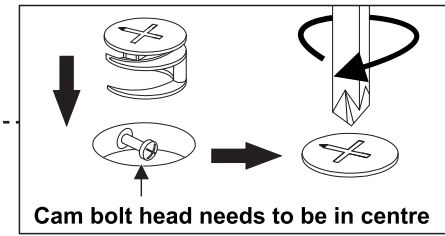
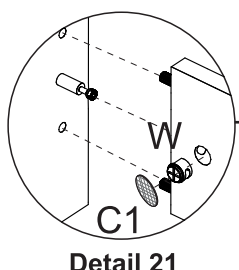
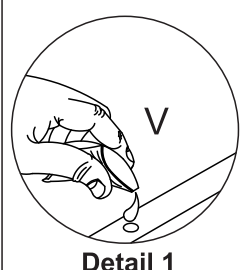
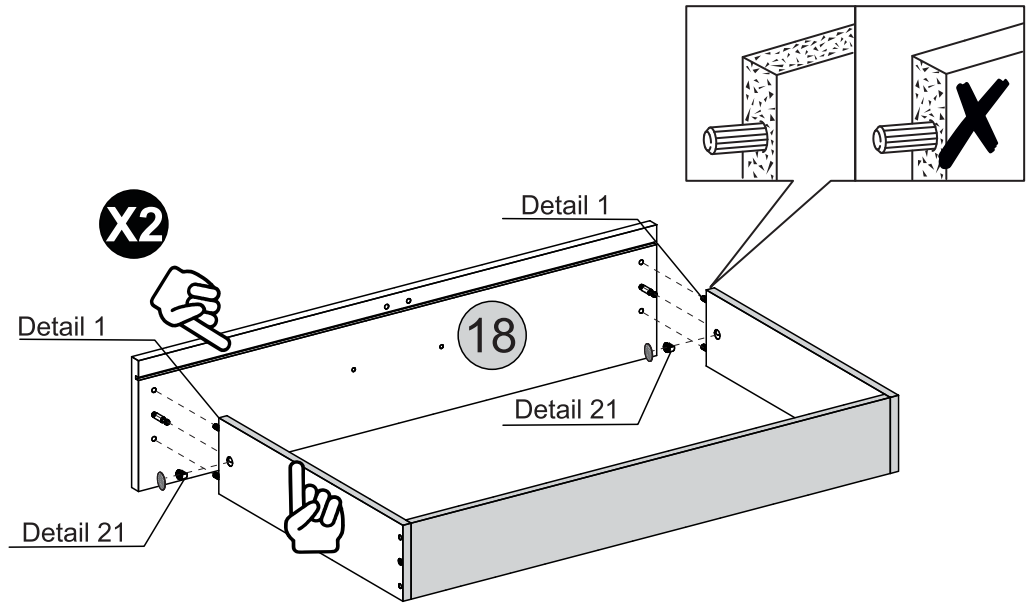
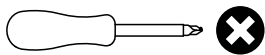
## HARDWARE REQUIRED

V  01

W  04

C1  04

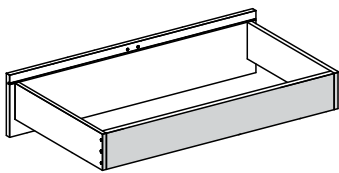
## TOOLS REQUIRED



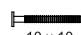
# STEP 22

## PARTS REQUIRED

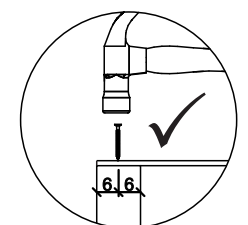
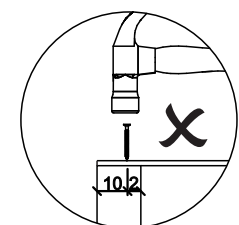
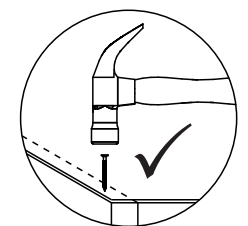
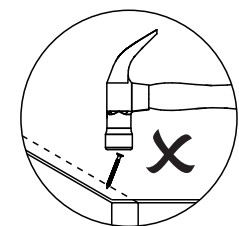
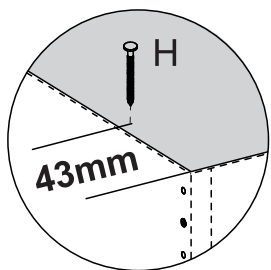
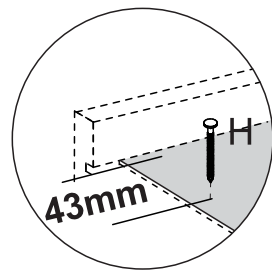
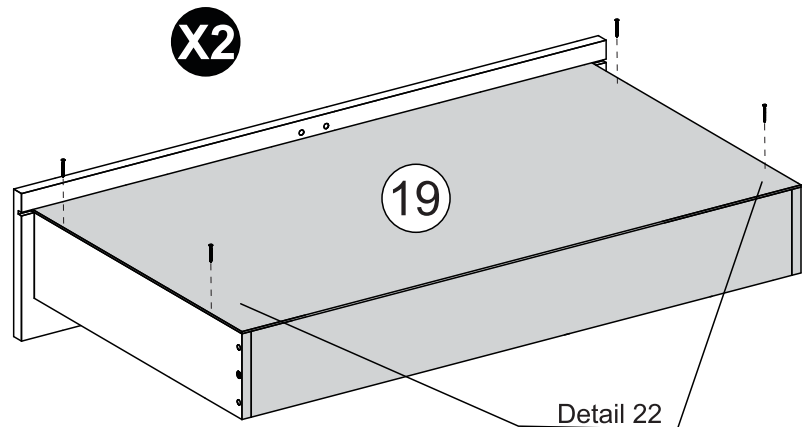
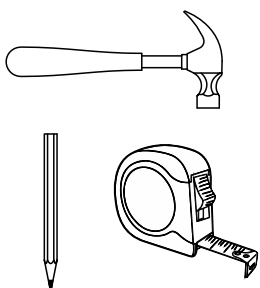
19 - DRAWER BOTTOM x2



## HARDWARE REQUIRED

H  10 x 10 08

## TOOLS REQUIRED



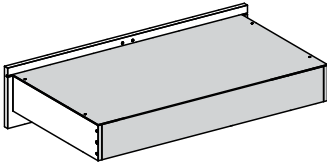
Detail 22



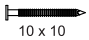
# STEP 23


## PARTS REQUIRED

20 - DRAWER BOTTOM SUPPORT BAR x2

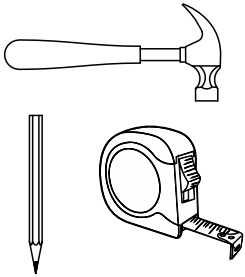


## HARDWARE REQUIRED

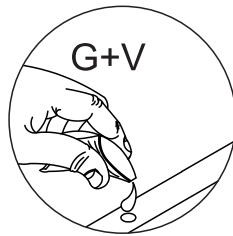
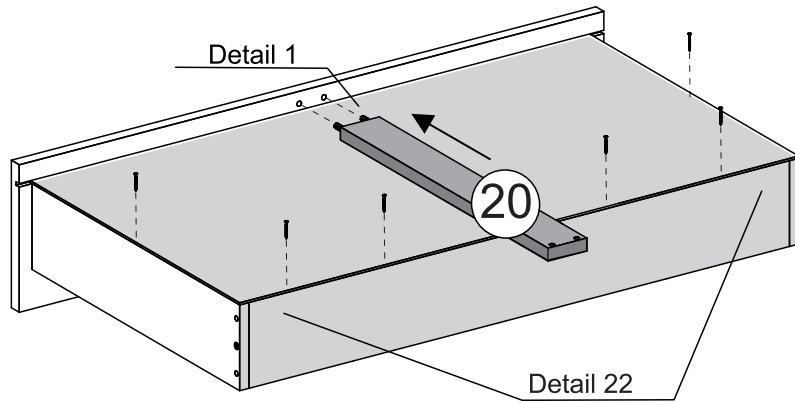
H  12  
10 x 10

V  01  
Glue

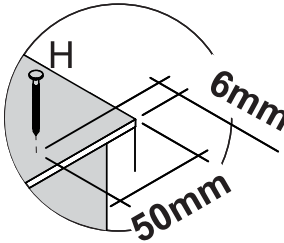
## TOOLS REQUIRED



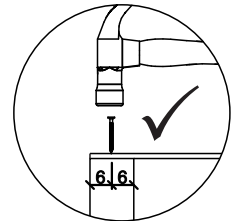
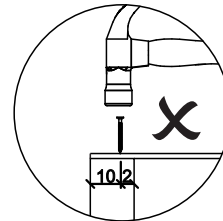
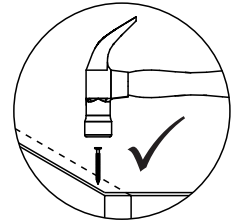
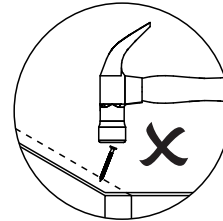
**X2**



Detail 1

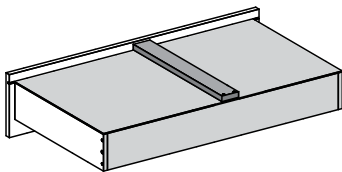


Detail 22

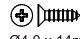


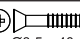
# STEP 24

## PARTS REQUIRED



## HARDWARE REQUIRED

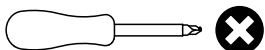
C  08  
Ø4,0 x 14mm

E  04  
Ø3,5 x 40mm

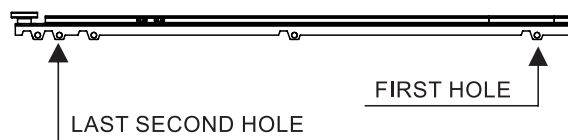
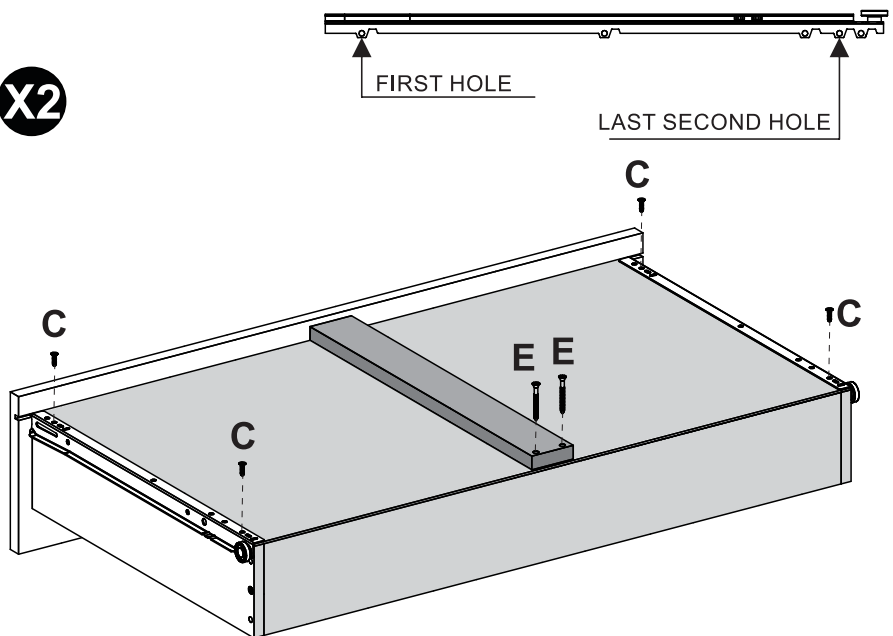
Q  02  
LEFT

Q  02  
RIGHT

## TOOLS REQUIRED



**X2**



# STEP 25

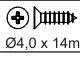
## PARTS REQUIRED

13 - LARGE DOOR x1

14 - RIGHT SMALL DOOR x1

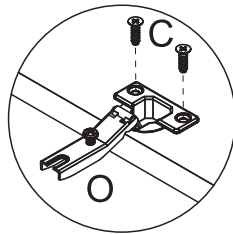
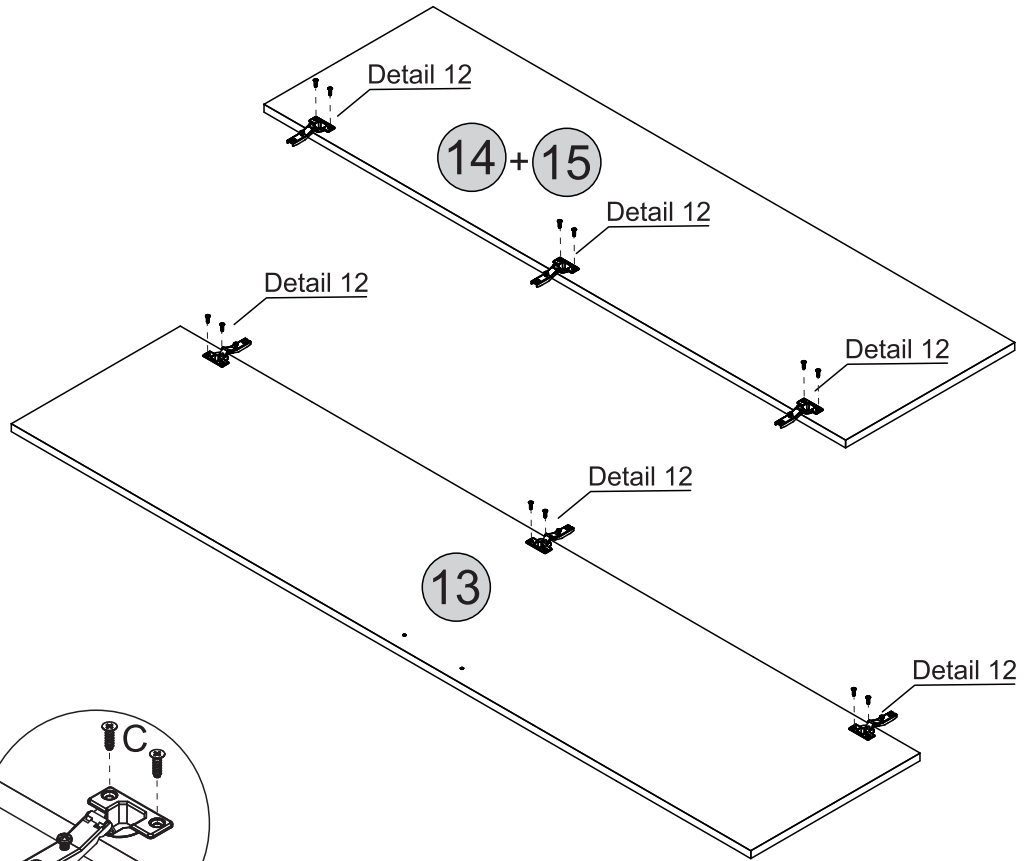
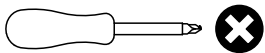
15 - LEFT SMALL DOOR x1

## HARDWARE REQUIRED

C  18  
Ø4,0 x 14mm

O  09

## TOOLS REQUIRED



Detail 12

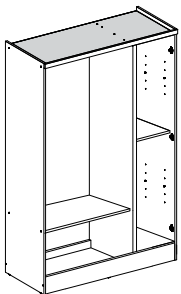
# STEP 26

## PARTS REQUIRED

13 - LARGE DOOR x1

14 - RIGHT SMALL DOOR x1

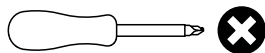
15 - LEFT SMALL DOOR x1



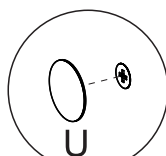
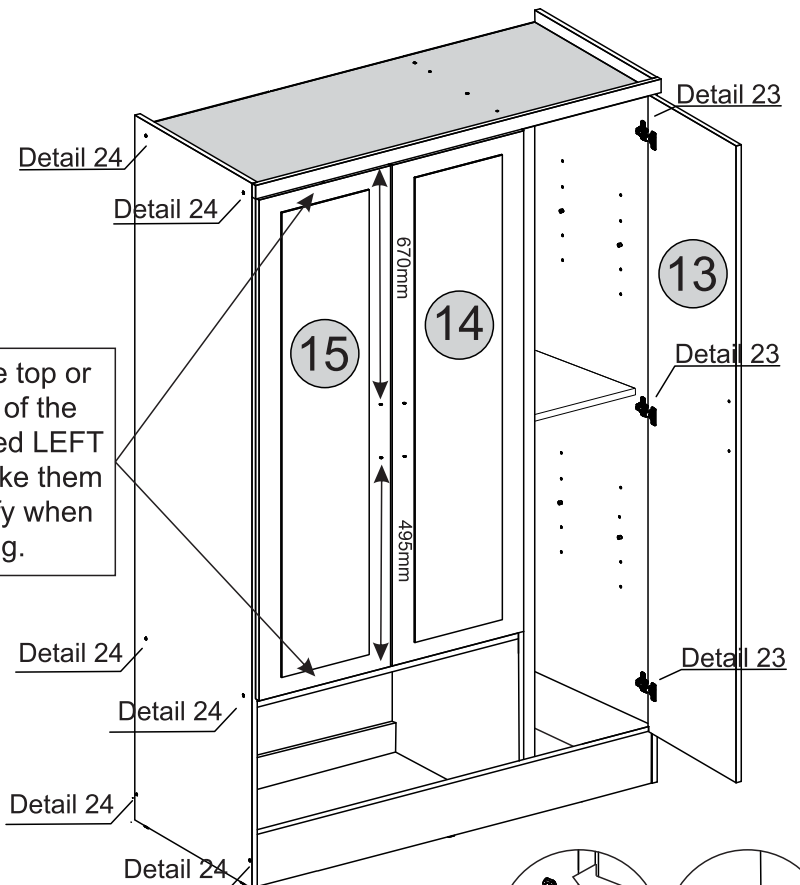
## HARDWARE REQUIRED

U  14

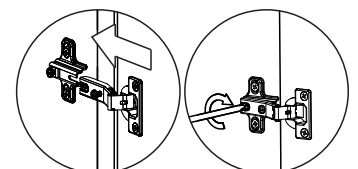
## TOOLS REQUIRED



**!**  
Please note the top or bottom edges of the doors are labelled LEFT or RIGHT to make them easier to identify when assembling.



Detail 24

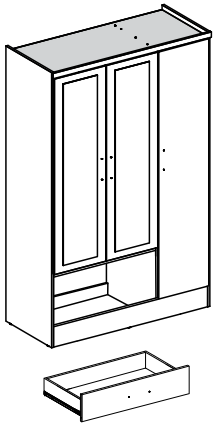


Detail 23


# STEP 27


## PARTS REQUIRED

21 - MOVEABLE SHELF x2

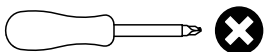


## HARDWARE REQUIRED

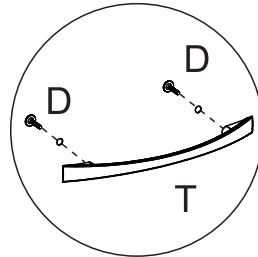
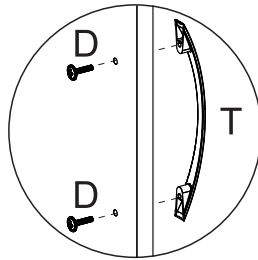
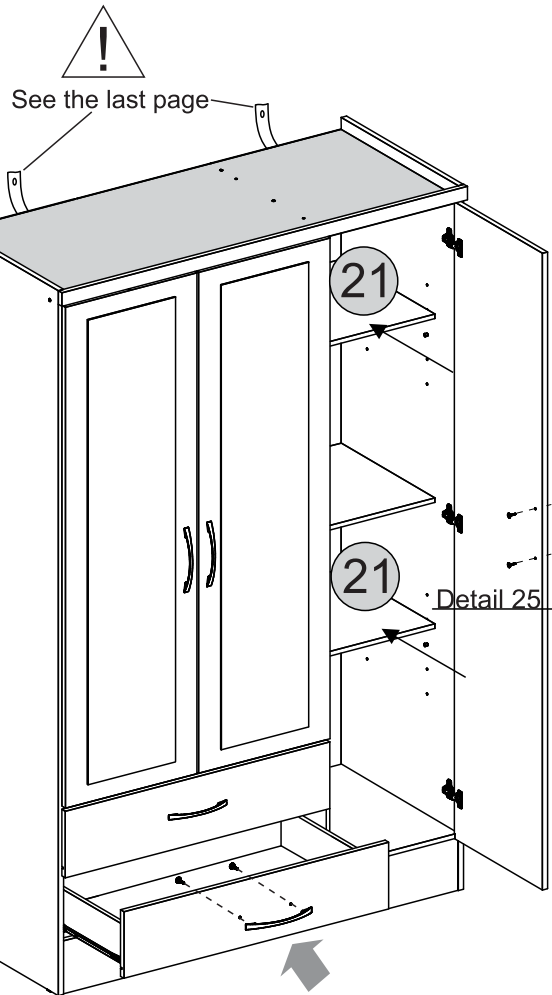
D  10  
Ø4,0 x 20mm

T  05

## TOOLS REQUIRED



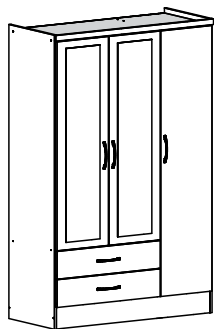
**TIP**  
If desired, after assembly use an alcohol cleaner to erase the number printed on the parts.




Detail 25

# STEP 28

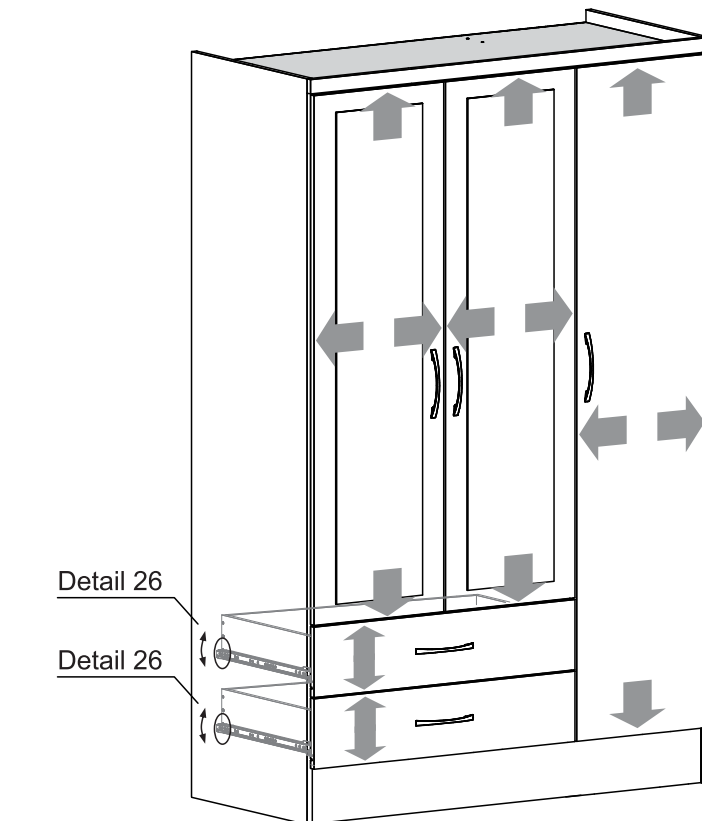
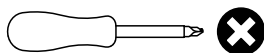
## PARTS REQUIRED



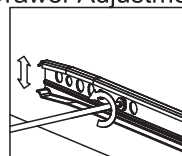
## HARDWARE REQUIRED

C  04  
Ø4,0 x 14mm

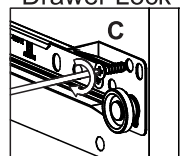
## TOOLS REQUIRED



Drawer Adjustment

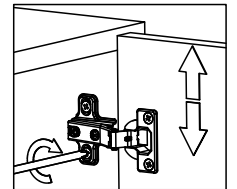


Drawer Lock

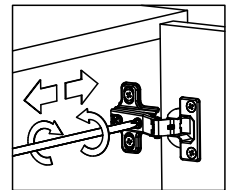


Detail 26

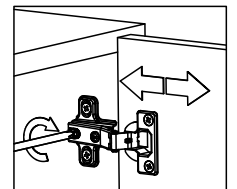
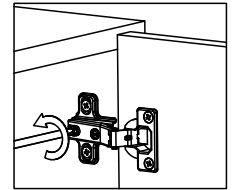
Height Adjustment



Internal Adjustment



Depth Adjustment



## WARNING

**Serious or fatal injuries can occur from furniture tipping over. To prevent the furniture from tipping over we recommend that it is permanently fixed to the wall.**

Wall fixings are not supplied with this product as different wall materials require different types of fixing devices.

Please make sure you use fixings suitable for the walls in your home.

