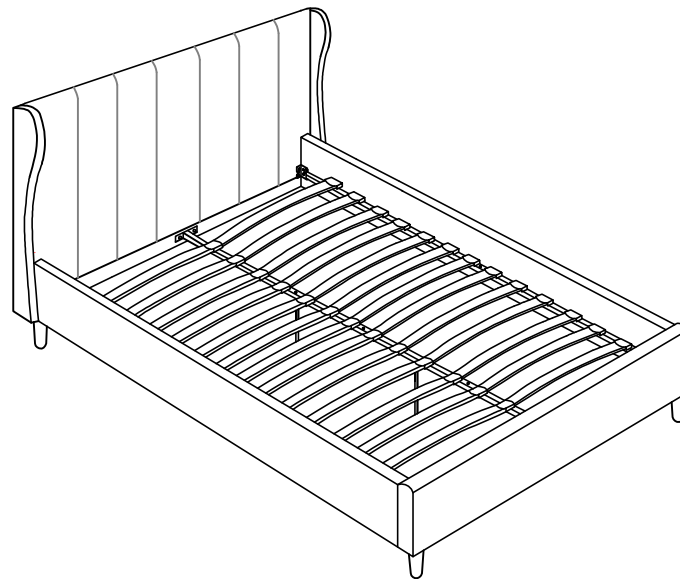


# AMELIA 5' BED ASSEMBLY INSTRUCTIONS



## FOR DOMESTIC USE ONLY IMPORTANT

### PLEASE READ BEFORE YOU CONTINUE FURTHER

THE PRODUCT YOU HAVE PURCHASED WILL GIVE YOU MANY YEARS OF SERVICE IF YOU FOLLOW THE GUIDELINES FOR ITS SAFE ASSEMBLY AND PERIODIC MAINTENANCE AND CLEANING.

ASSEMBLE ON A SOFT CLEAN SURFACE.

DO NOT USE ANY TOOLS OTHER THAN THOSE SHOWN.

ANY SPANNERS OR ALLEN KEYS REQUIRED ARE INCLUDED WITH THE FITTINGS KIT.

DO NOT FOR ANY REASON USE A POWER TOOL TO ASSEMBLE THIS PRODUCT . ITS USE WILL INVALIDATE ANY CLAIM YOU MAY HAVE AND COULD MAKE THIS PRODUCT UNSAFE.

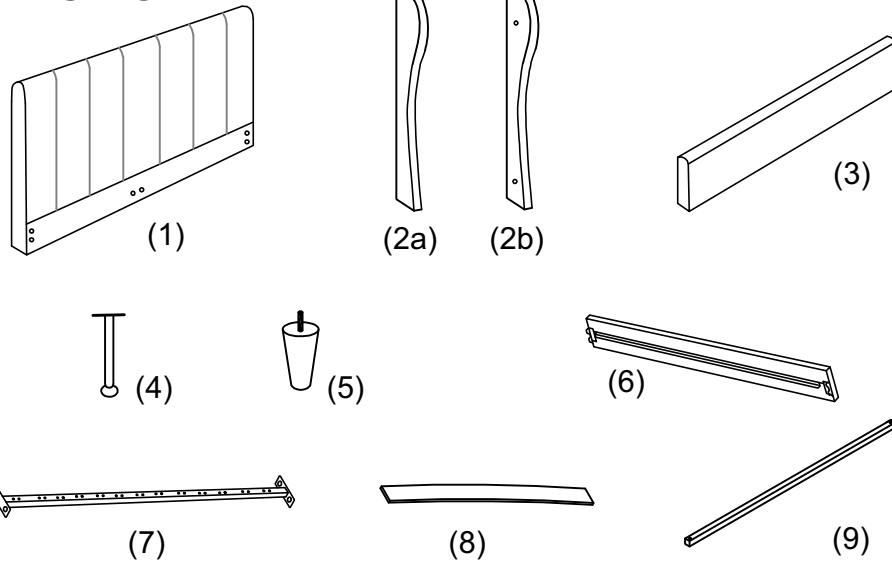
DEPENDING ON THE AMOUNT OF USE THIS PRODUCT RECEIVES IT MAY BE NECESSARY TO TIGHTEN UP THE FIXINGS FROM TIME TO TIME. THIS IS COMPLETELY NORMAL FOR ANY FLAT PACK FURNITURE.

**FOR CLEANING YOU MAY USE A DAMP CLOTH(NOT WET). DO NOT USE POLISH,DETERGENT OR CHEMICAL CLEANERS.**

THIS PRODUCT MAY STAIN OR MARK IF ALLOWED TO COME INTO CONTACT WITH WET OR DAMP OBJECTS AS MATERIALS USED HAVE NOT BEEN SCOTCH GUARDED.

THE SURFACE OF THIS ITEM IS NOT HEAT RESISTANT, ALWAYS USE A PLACE MAT UNDER HOT OR COLD ITEMS. PREVENT MARKING

**PARTS LIST**



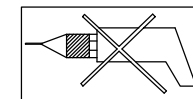
**HARDWARE LIST**

A		5/16 X 25MM BOLT	12 PCS
B		5/16 X 50MM BOLT	11 PCS
C		M8 WASHER	18 PCS
D		NUT	7 PCS
E		ALLEN KEY	1 PC
F		SPANNER	1 PC
G		PLASTIC CENTRE CAP	14 PCS
H		PLASTIC END CAP	28 PCS

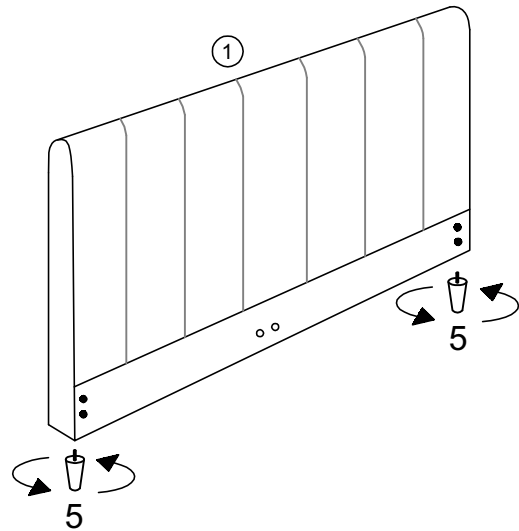
1	HEADBOARD	1 PC
2a	LEFT WING	1 PC
2b	RIGHT WING	1 PC
3	FOOTBOARD	1 PC
4	CENTRE SUPPORT LEG	2 PCS
5	WOODEN FEET	4 PCS
6	SIDE RAIL	2 PCS
7	CENTRE RAIL	1 PC
8	WOODEN SLAT	28 PCS
9	CENTRE CROSS RAIL	1 PC

**PLEASE CHECK THAT YOU HAVE ALL THE PARTS LISTED BEFORE YOU START ASSEMBLING. IF YOU DO FIND THAT SOMETHING IS MISSING, DO NOT CONTINUE ASSEMBLY. PLEASE CONTACT YOUR SUPPLIER IMMEDIATELY.**

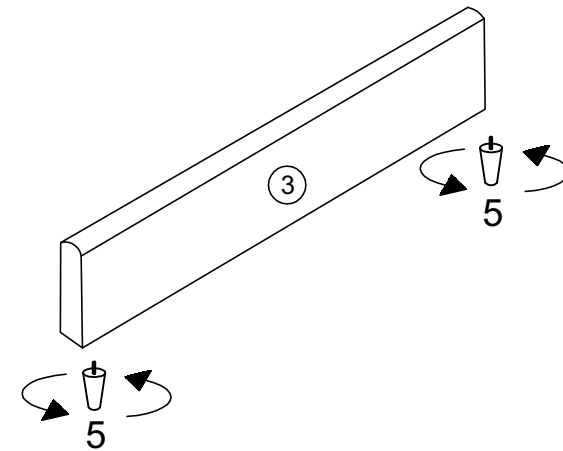
**USE OF POWER TOOLS TO ASSEMBLE THIS PRODUCT WILL INVALIDATE ANY CLAIM AND DAMAGE THIS PRODUCT MAKING IT UNSAFE.**



Step 1

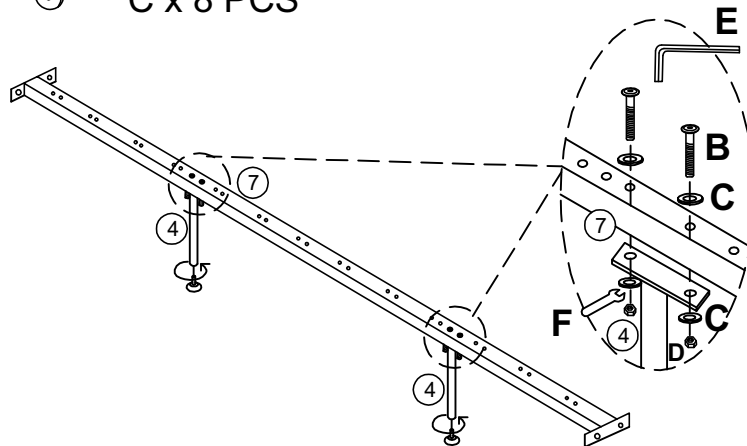


Step 2



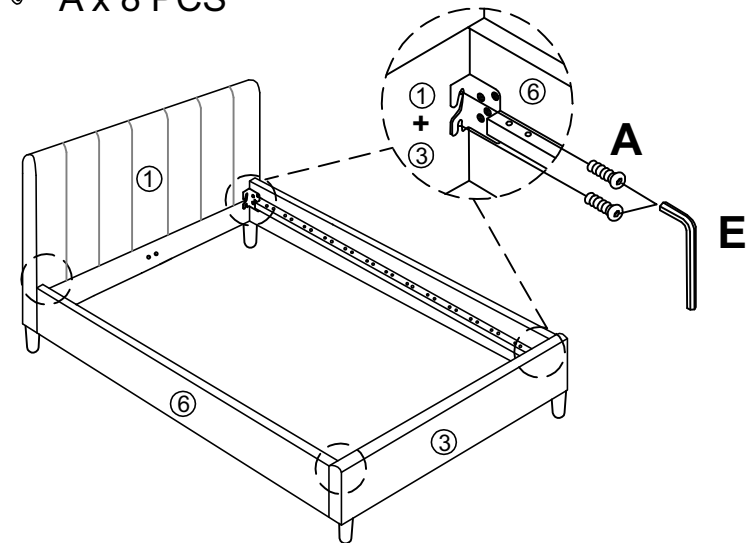
Step 3

-  B x 4 PCS     D x 4 PCS
-  C x 8 PCS

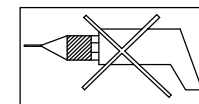


Step 4

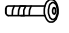
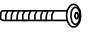


-  A x 8 PCS

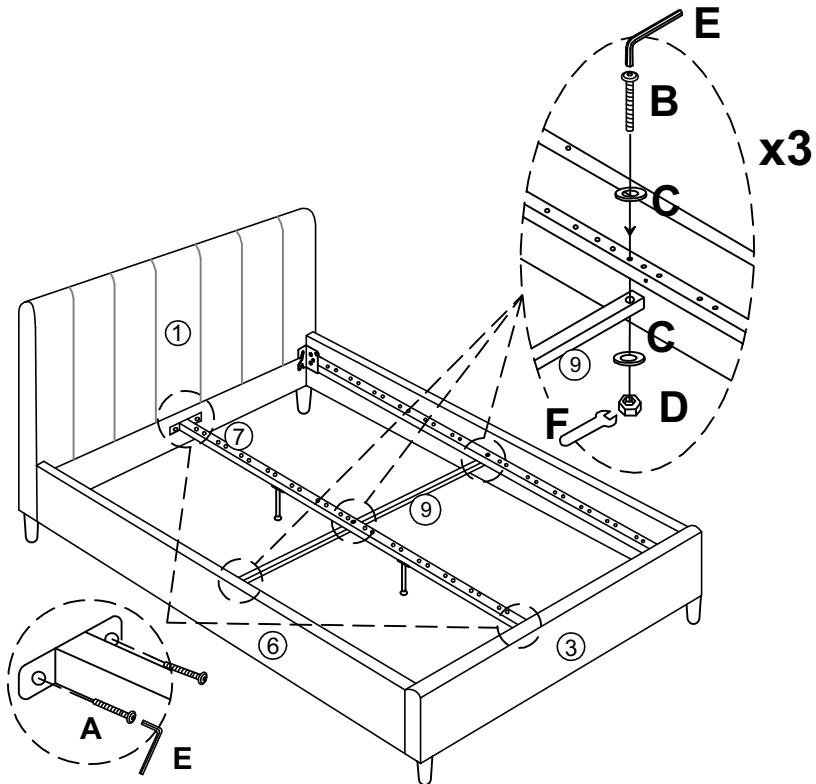


**USE OF POWER TOOLS TO ASSEMBLE THIS PRODUCT WILL INVALIDATE ANY CLAIM AND DAMAGE THIS PRODUCT MAKING IT UNSAFE.**

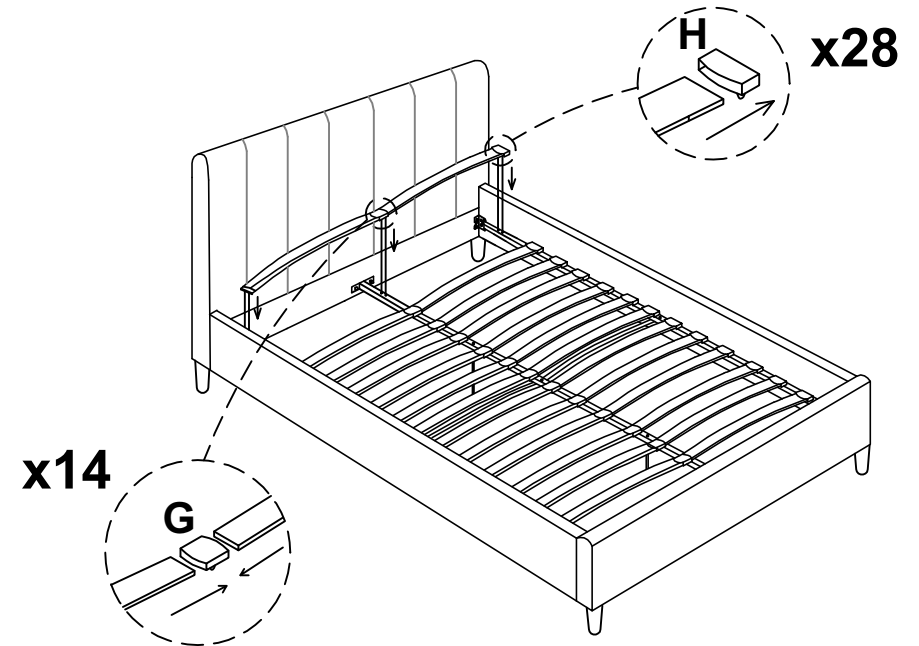


Step 5

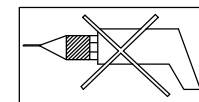
-  A x 4 PCS
-  B x 3 PCS
-  C x 6 PCS
-  D x 3 PCS



Step 6




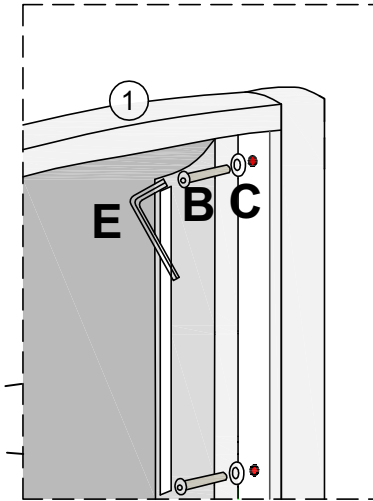
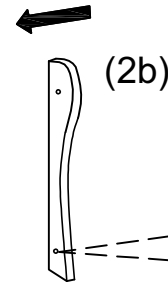
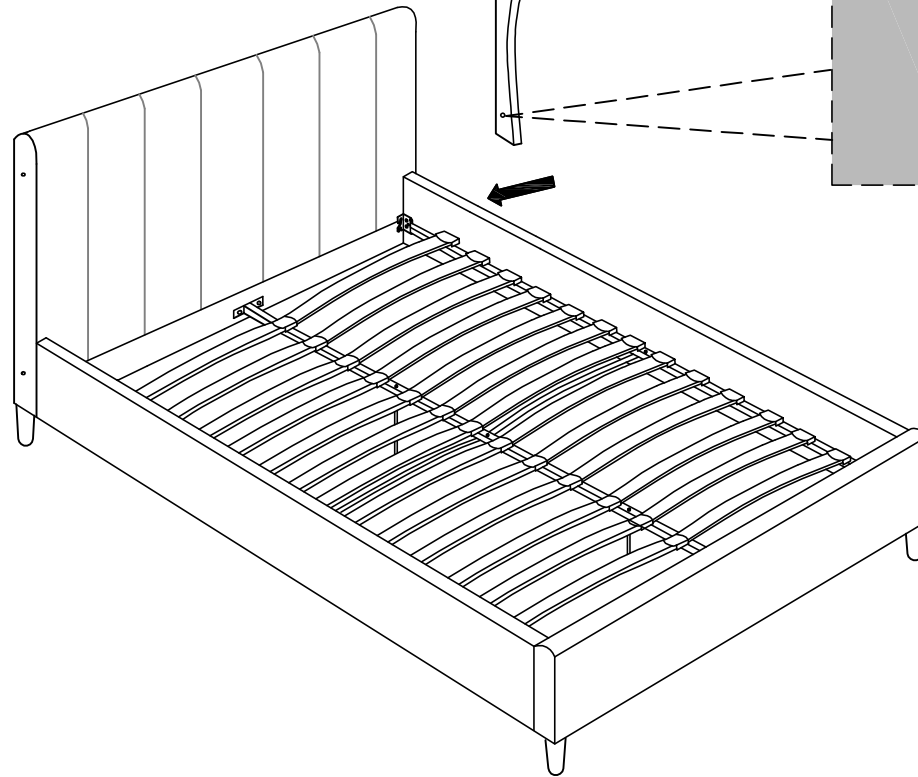
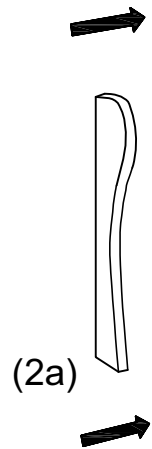
**USE OF POWER TOOLS TO ASSEMBLE THIS PRODUCT WILL INVALIDATE ANY CLAIM AND DAMAGE THIS PRODUCT MAKING IT UNSAFE.**



Step 7

 B x 4 PCS

 C x 4 PCS



COMPLETED!

**USE OF POWER TOOLS TO ASSEMBLE THIS PRODUCT WILL INVALIDATE ANY CLAIM AND DAMAGE THIS PRODUCT MAKING IT UNSAFE.**

