

# Birlea

Suppliers of inspiration

## Assembly Instructions

---

*Thank you* for  
purchasing a  
Birlea product.

For a chance to win a *Love 2 Shop* voucher simply post a picture of your new product on your preferred social channels tagging Birlea Furniture and using the hashtag **#ShareYourStyle** and **#Birlea**. One winner will be selected at random each month.

To view our full terms and conditions please visit our website. [www.birlea.com](http://www.birlea.com)

---

### Are you happy with your purchase?

**Yes:** That's great, we would love to hear more from you. Please leave us a review on our social media channels or Trustpilot. Your feedback will be greatly appreciated.

**No:** If for any reason there is something missing, indifferent or incorrect with your order, please contact the retailer you purchased the item from. We will work with the retailer to resolve your issue as quickly as possible.



[www.birlea.com](http://www.birlea.com)

**ASSEMBLY INSTRUCTIONS**  
**HAMPSTEAD 2 DOOR 1 DRAWER**  
**WARDROBE OAK**

**IMPORTANT : READ THESE INSTRUCTIONS CAREFULLY BEFORE ATTEMPTING TO ASSEMBLE OR USE YOUR HAMPSTEAD 2 DOOR 1 DRAWER WARDROBE OAK.**

**PLEASE KEEP THESE INSTRUCTIONS FOR FUTURE REFERENCE.**

**ASSEMBLY:**

Assembly should be carried out with this item laying flat, not standing upright.

Assemble on a soft, clean surface to prevent damages.

To erase the numbers printed on the pieces, use the rubber inside the accessories pack.

**HEALTH & SAFETY:**

**DO NOT** use this product if any parts are missing, damaged or worn.

**DO NOT** use this product unless all fixings are secured.

Always use on a level, even surface.

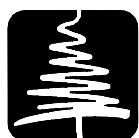
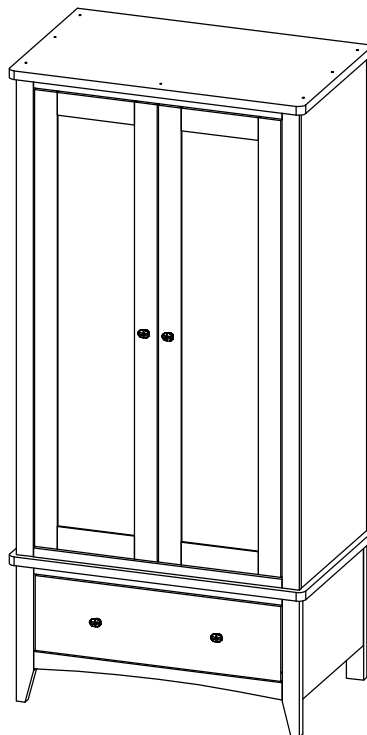
**CARE & MAINTENANCE:**

Periodically check all screws & fixings to ensure they are secure.

**DO NOT** push this product as this will cause damage.

Always lift this product with two people to repositions.

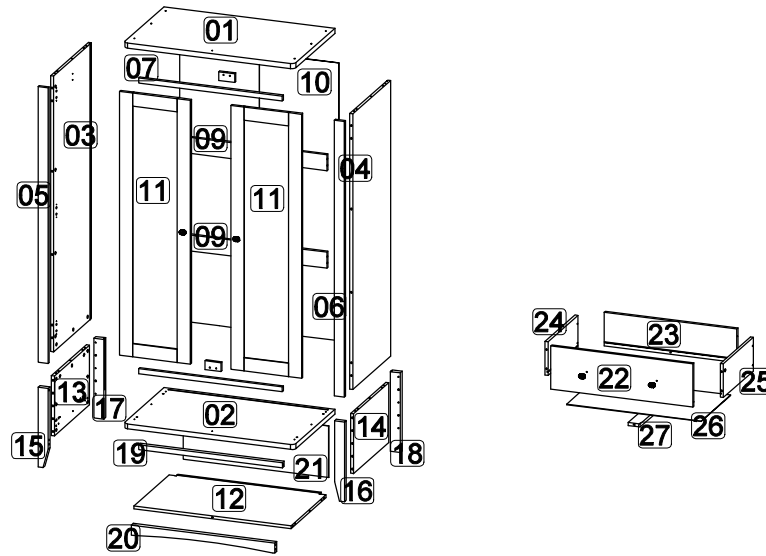
Keep any sharp objects away from this product.



**Birlea**





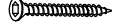



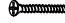








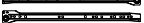





Suppliers of inspiration

[www.birlea.com](http://www.birlea.com)

**Parts List**

Part	Description	Box	Qty
01	Top panel	1	1
02	Middle panel	1	1
03	Up side ( Left )	2	1
04	Up side ( Right )	2	1
05	Side bar ( Left )	2	1
06	Side bar ( Right )	2	1
07	Front bar up	1	2
08	Door block	2	2
09	Back support	2	2
10	Up back panel	2	1
11	Door panel ( Left/Right )	2	2
12	Bottom panel	1	1
13	Down side ( Left )	1	1
14	Down side ( Right )	1	1
15	Front leg ( Left )	1	1
16	Front leg ( Right )	1	1
17	Back leg ( Left )	1	1
18	Back leg ( Right )	1	1
19	Front bar down	1	1
20	Leg panel	1	1
21	Down back panel	2	1
22	Drawer front	1	1
23	Drawer back	1	1
24	Drawer side ( Left )	1	1
25	Drawer side ( Right )	1	1
26	Bottom drawer	2	1
27	Drawer bone	1	1

**Hardware List ( BOX 1 )**

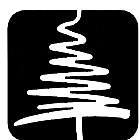
Part	Description	Qty
A1	Cam lock 	51
A2	Minifix screw 	51
A3	Plastic cap 	51
B	M8 x 30mm Wood Dowel 	36
C	M6 x 60mm CSK Cap Wood screw 	8
D	Allen key M4 	1
E	M3.5 x 16mm C.B Screw 	56
F	M4 x 20mm C.B Screw 	20
G	M4 x 25mm C.B Screw 	4
H	M4 x 38mm C.B Screw 	4
I	PVC nail leg 5/8 	4
J	Handle screw M4 x 22mm 	4
K	Knob 5166028 SS 	4
L	S125 - Double hole fitting 	8
M	PVC Block 	10
N1	Stud 192 	12
N2	Stud 192 screw 	12
O1	16" Drawer slide (Left / Right) 	2
O2	16" Drawer slide (Left / Right) 	2
P	7/8 Hinges 	6
Q	433 Oval tube bracket 	2
R	433 Oval tube pipe 	1
S	8" x 1" PP tape 	2

**\*\* You will need a small mallet and a screwdriver for assembly.**

**\*\* Some screws and wooden dowel may remain.**

**\*\* Note : Note : To secure the item to the wall we recommend you use wall plugs and screw.**

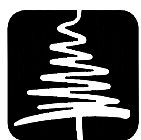
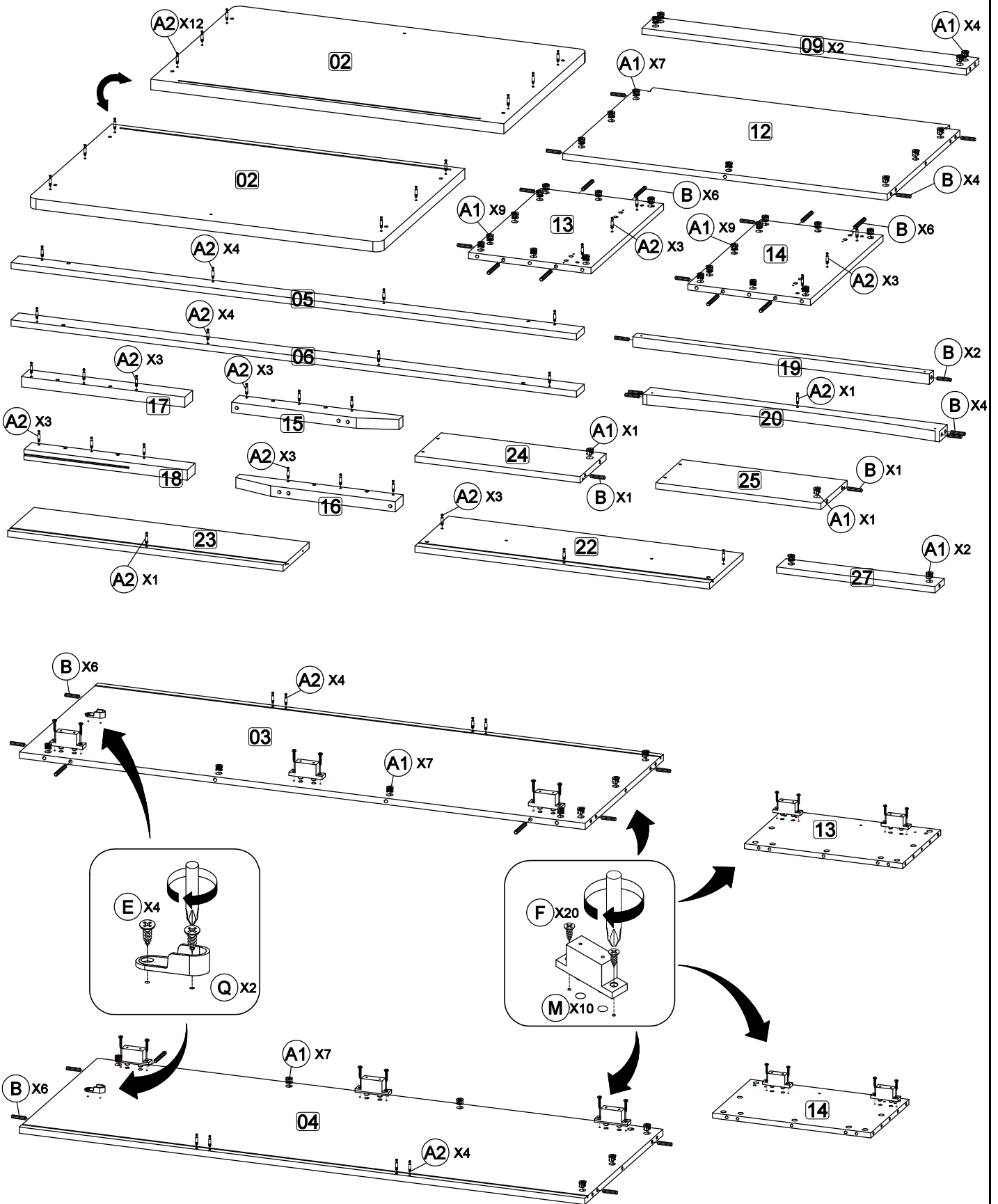
**These are not provided in the fixing kit.**



# Birlea

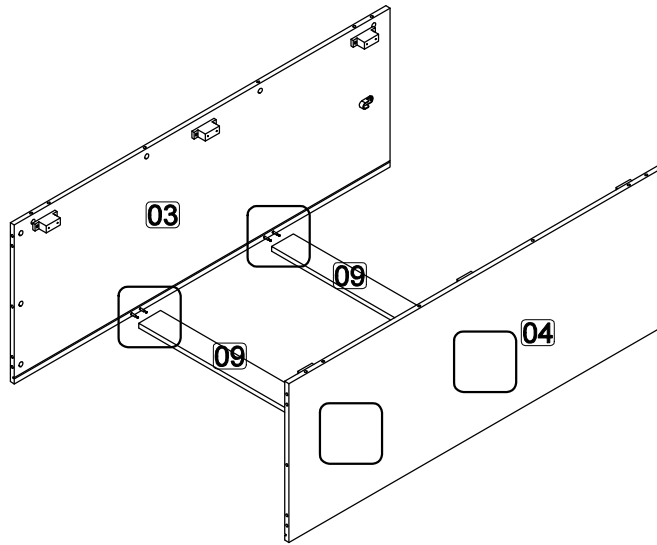
Suppliers of inspiration

**Step 1: Prepare these parts for assembly using hardware parts A1, A2, B, E, F, M and Q.**  
**DO NOT use any power tools as this may damage the frame and will invalidate any claim.**



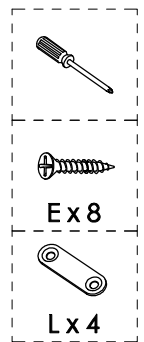
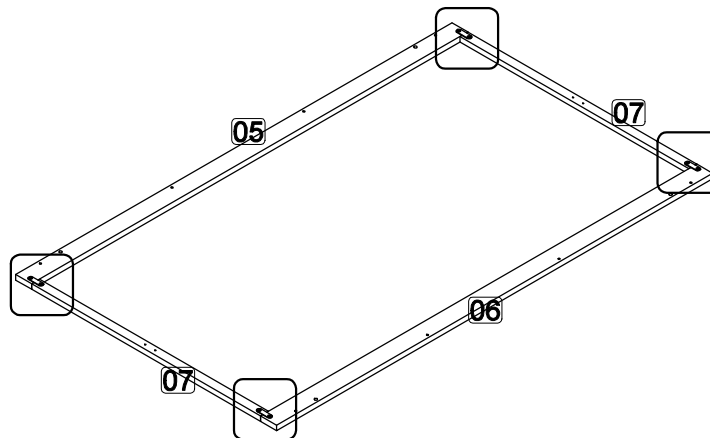
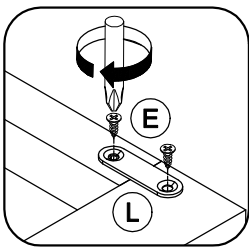
**Step 2: Assemble up side panel (3) and (4) to back support (9).**

**DO NOT use any power tools as this may damage the frame and will invalidate any claim.**



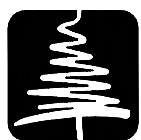
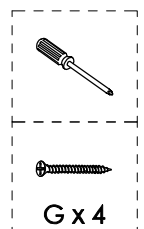
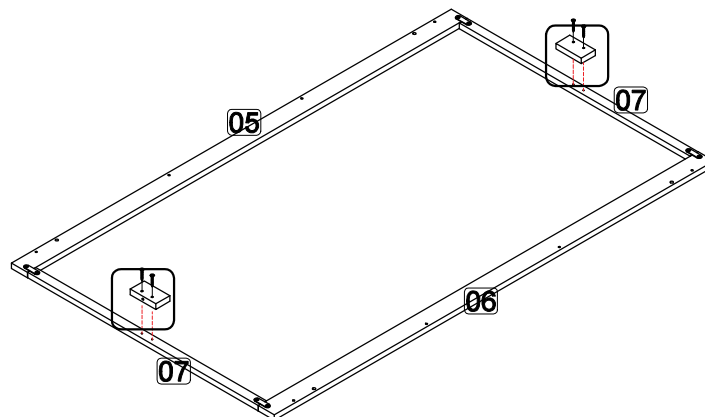
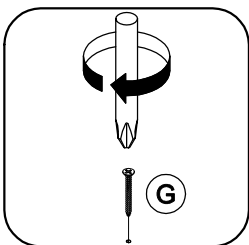
**Step 3: Fix hardware L into side bar (5), (6), and front bar up (7) using hardware E with a screwdriver(not provided).**

**DO NOT use any power tools as this may damage the frame and will invalidate any claim.**



**Step 4: Attach door block (8) to front bar up (7) using hardware (G) with a screwdriver (not provided).**

**DO NOT use any power tools as this may damage the frame and will invalidate any claim.**

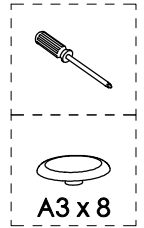
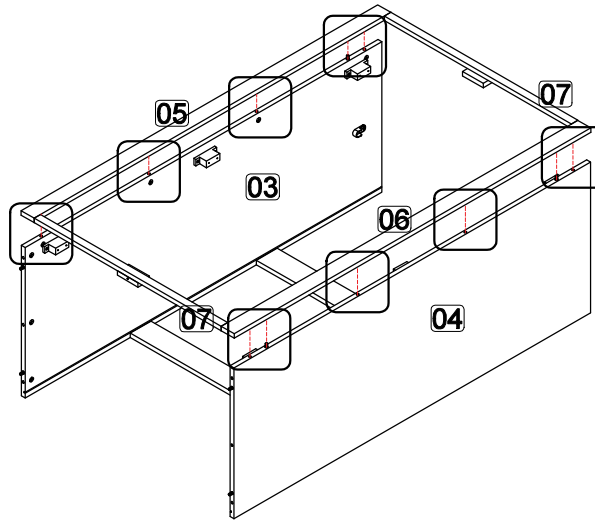
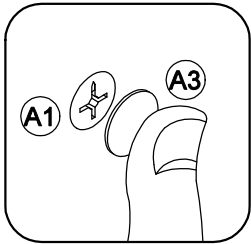
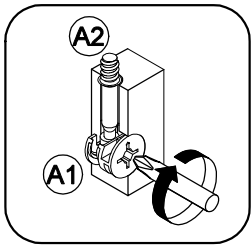


**Birlea**

Suppliers of inspiration

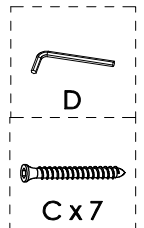
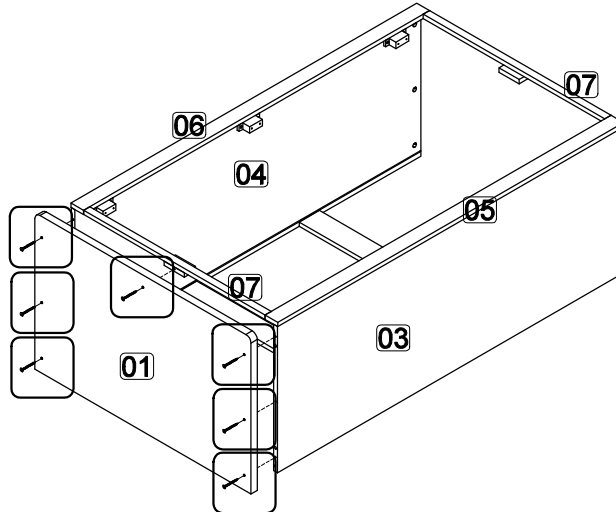
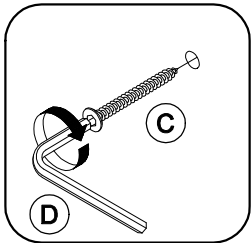
**Step 5:** Attach side bar (5) and (6) to up side panel (3) and (4) using hardware A1 and A2 with a screwdriver (not provided).

**DO NOT** use any power tools as this may damage the frame and will invalidate any claim.



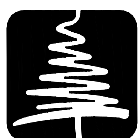
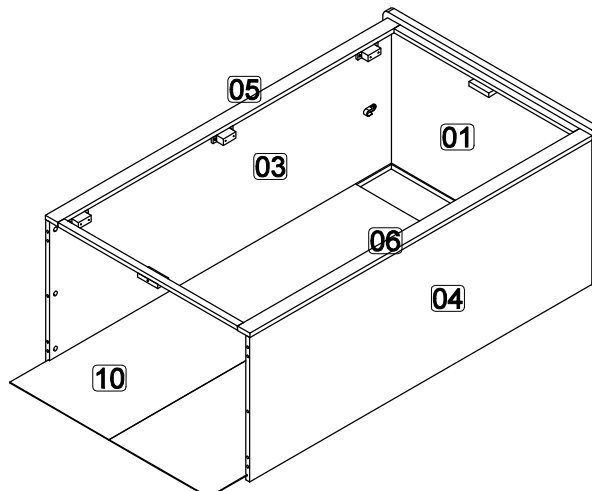
**Step 6:** Attach top panel (1) to side panel (3), (4) and door block (8) using hardware C and D.

**DO NOT** use any power tools as this may damage the frame and will invalidate any claim.



**Step 7:** Assemble the up back panel (10) along the slot at up side panel (3) and (4).

**DO NOT** use any power tools as this may damage the frame and will invalidate any claim.

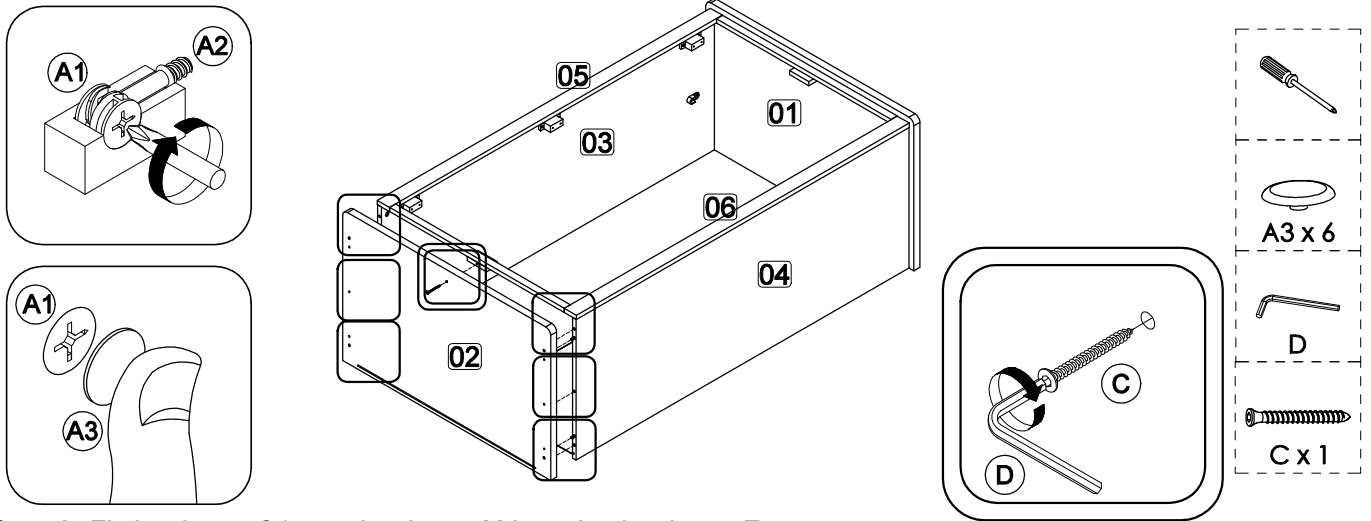


**Birlea**

Suppliers of inspiration

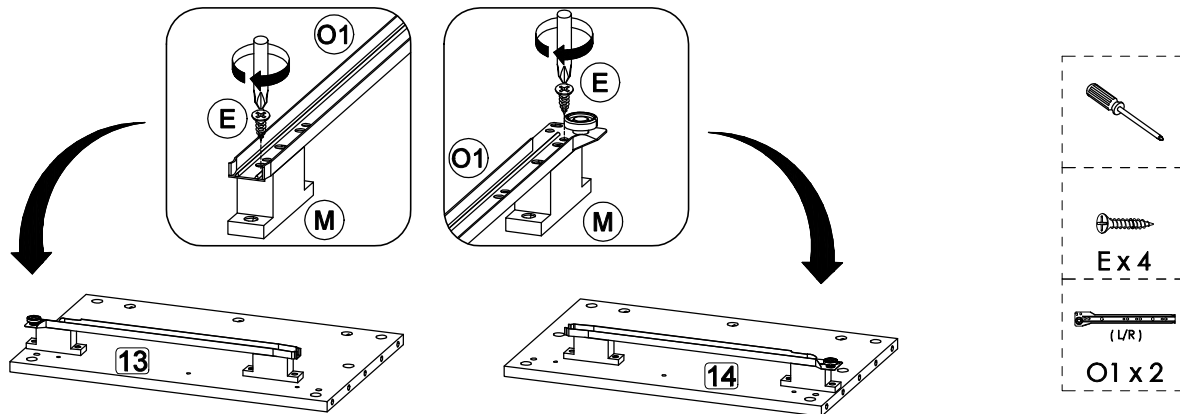
**Step 8:** Attach middle panel (2) to side panel (3), (4) using hardware A1 and A2 with a screwdriver (not provided) then attach door block (8) to middle panel (2) using hardware C and D.

**DO NOT use any power tools as this may damage the frame and will invalidate any claim.**



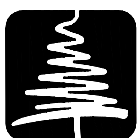
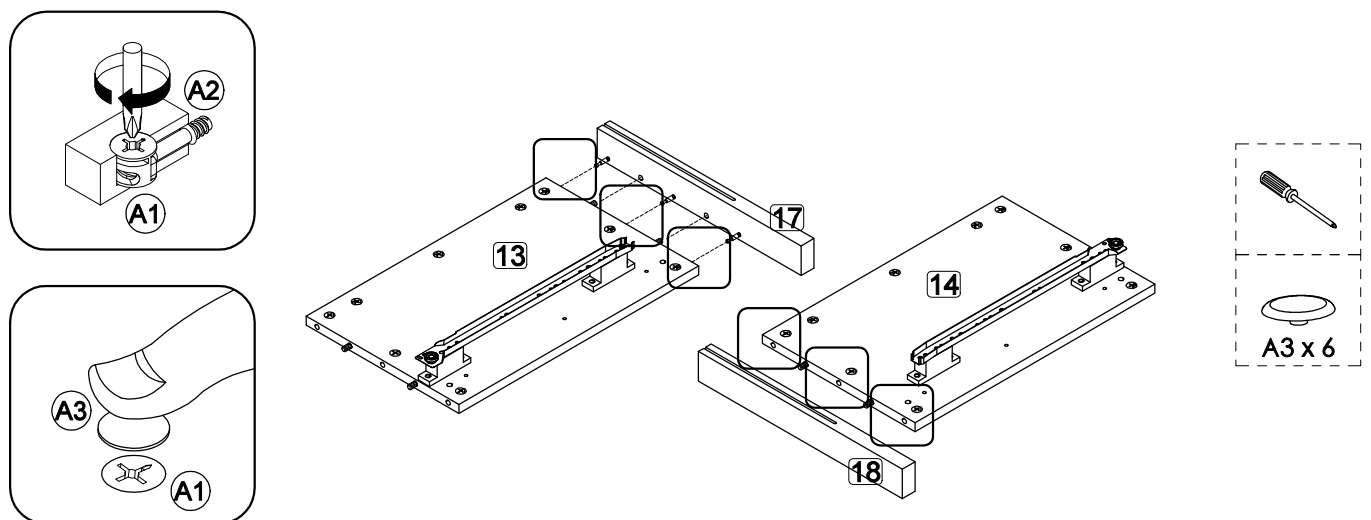
**Step 8:** Fix hardware O1 onto hardware M by using hardware E.

**DO NOT use any power tools as this may damage the frame and will invalidate any claim.**



**Step 9:** Attach back leg (17) to down side panel (13) then back leg (18) to down side panel (14) using hardware A1 and A2 with a screwdriver (not provided).

**DO NOT use any power tools as this may damage the frame and will invalidate any claim.**

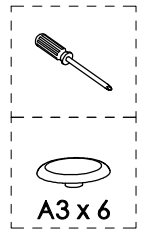
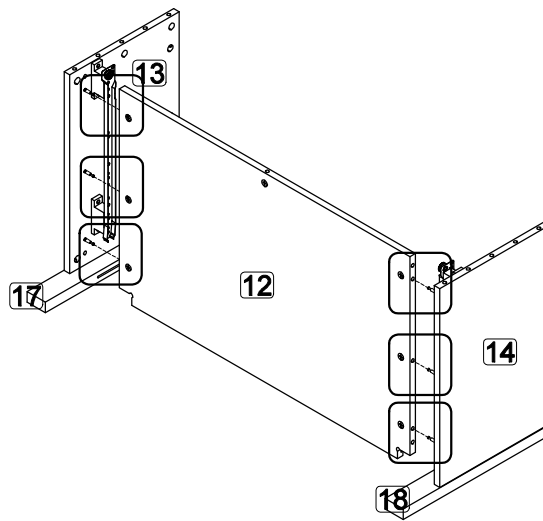
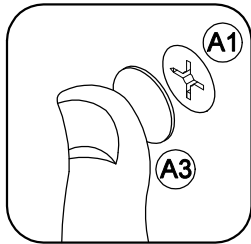
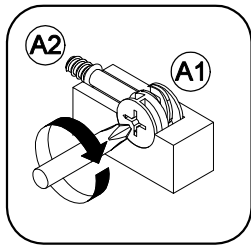


**Birlea**

Suppliers of inspiration

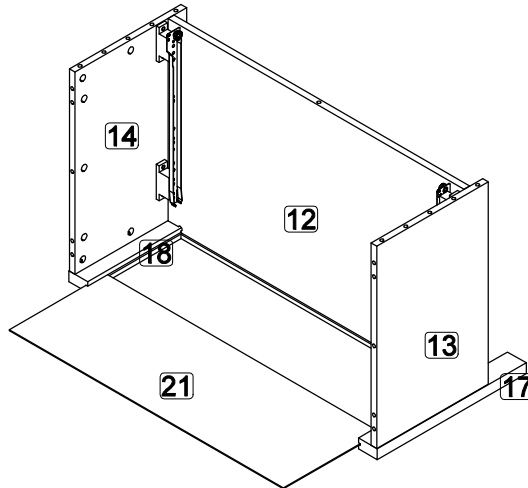
**Step 10:** Attach down side panel (13) and (14) to bottom panel (12) using hardware A1 and A2 with a screwdriver (not provided).

**DO NOT use any power tools as this may damage the frame and will invalidate any claim.**



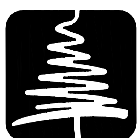
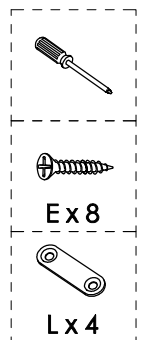
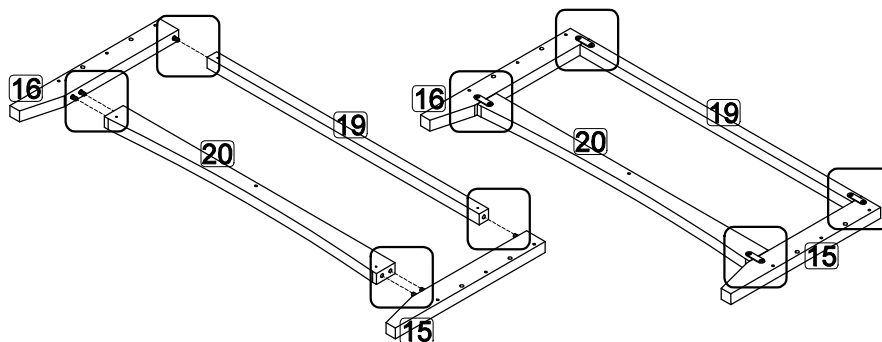
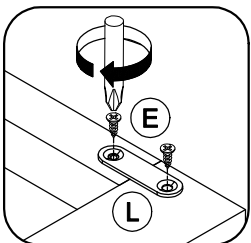
**Step 11:** Assemble the down back panel (21) along the slot at back leg (17) and (18).

**DO NOT use any power tools as this may damage the frame and will invalidate any claim.**



**Step 12:** Assemble front leg (15) and (16) to front bar down (19) and leg panel (20). Then fix hardware L onto front leg (15), (16), front bar down (19) and leg panel (20) using hardware E with a screwdriver (not provided)

**DO NOT use any power tools as this may damage the frame and will invalidate any claim.**



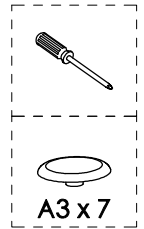
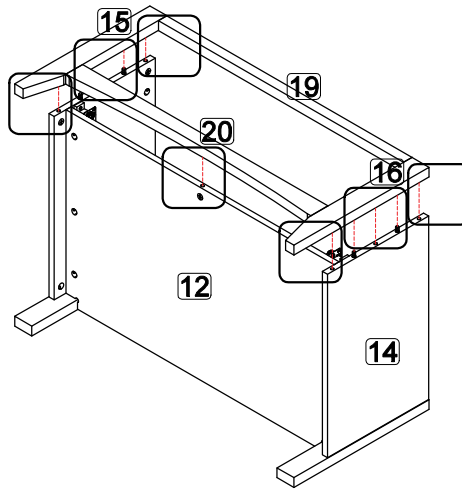
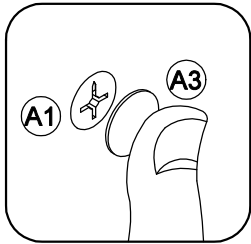
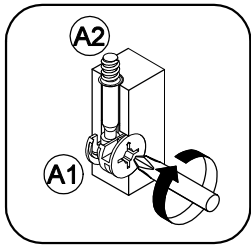
**Birlea**

Suppliers of inspiration



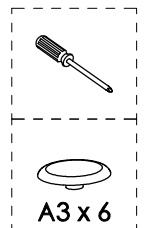
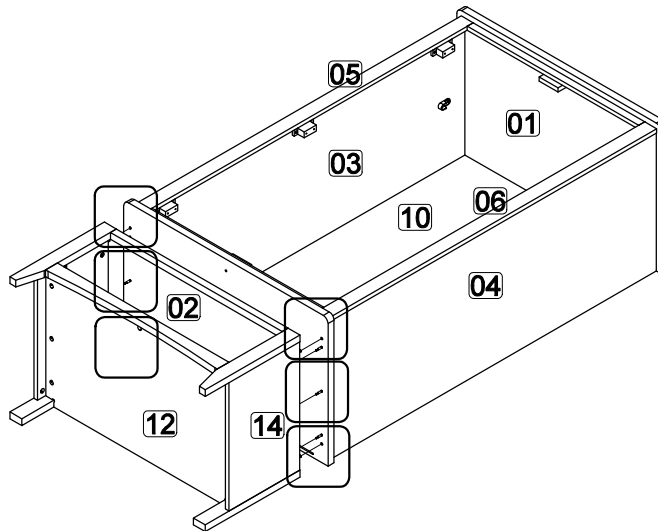
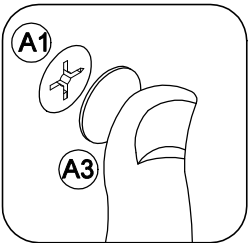
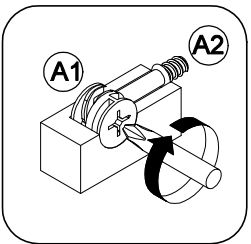
**Step 13:** Attach front leg (15), (16) and leg panel (20) to down side panel (13), (14) and bottom panel (12) using hardware A1 and A2 with a screwdriver (not provided).

**DO NOT** use any power tools as this may damage the frame and will invalidate any claim.



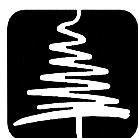
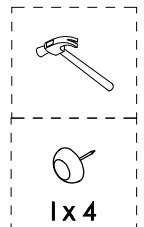
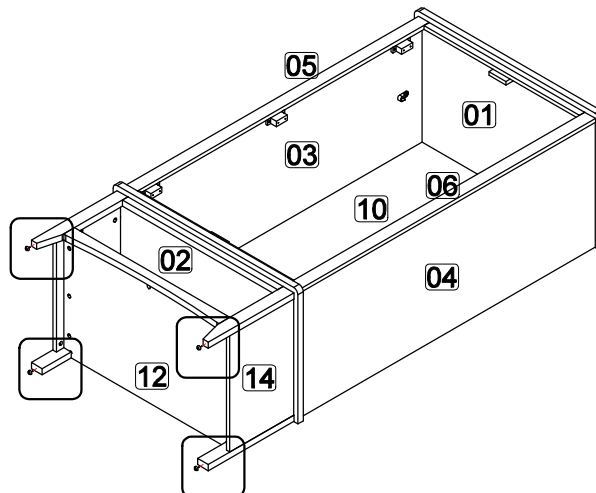
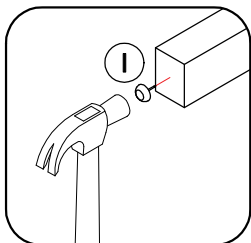
**Step 14:** Attach down side panel (13) and (14) to middle panel (2) using hardware A1 and A2 with a screwdriver (not provided).

**DO NOT** use any power tools as this may damage the frame and will invalidate any claim.



**Step 15:** Hit hardware I into bottom of front leg (15), (16), back leg (17) and (18) with a hammer (not provided).

**DO NOT** use any power tools as this may damage the frame and will invalidate any claim.

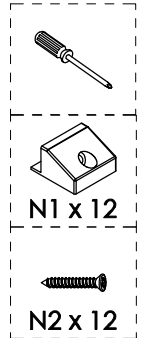
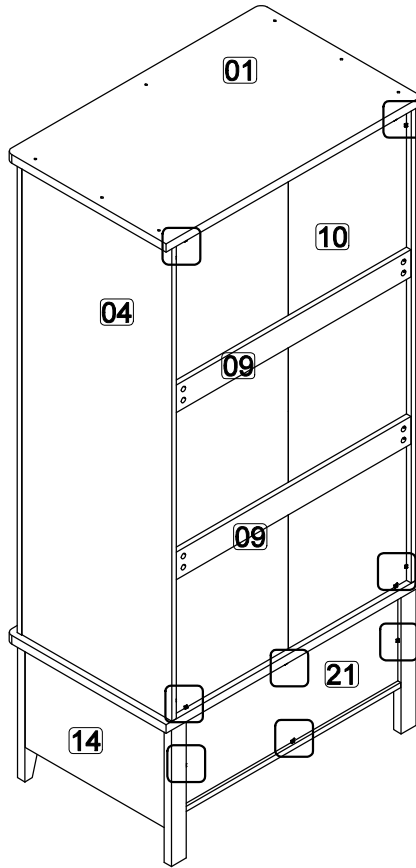
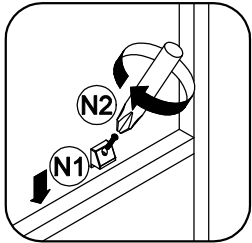


**Birlea**

Suppliers of inspiration

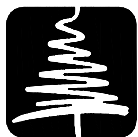
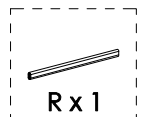
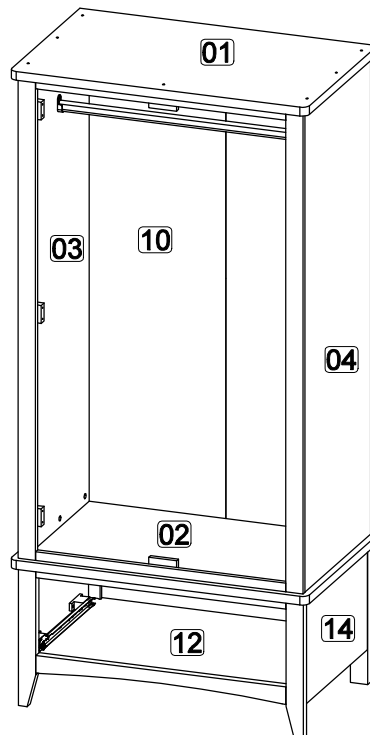
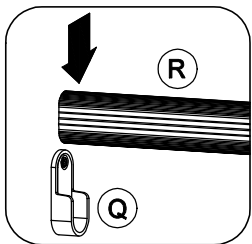
**Step 16:** Attach hardware N1 into slot at top panel (1), bottom panel (2), up side panel (3), (4), back leg (17), (18) and bottom panel (20) by using hardware N2 with a screwdriver (not provided).

**DO NOT use any power tools as this may damage the frame and will invalidate any claim.**



**Step 17:** Attach hardware R into hardware Q.

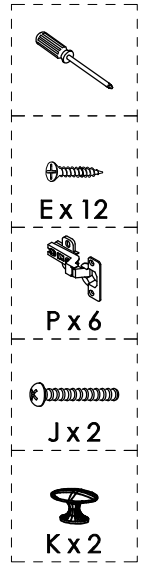
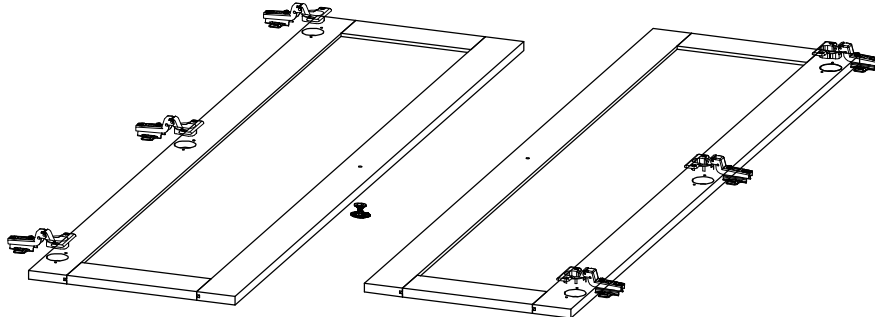
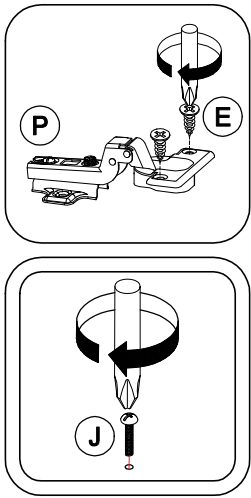
**DO NOT use any power tools as this may damage the frame and will invalidate any claim.**



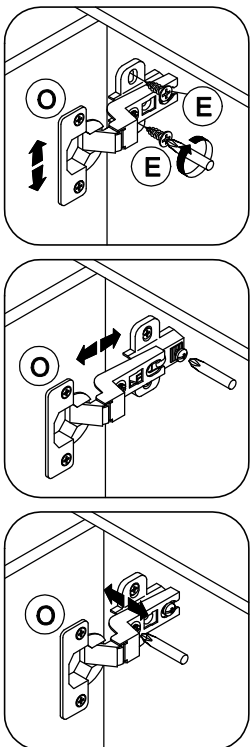
**Birlea**

Suppliers of inspiration

**Step 18:** Fix hardware P onto door panel (11) by using hardware E.  
 Fix hardware K onto door panel (11) by using hardware J.  
**DO NOT use any power tools as this may damage the frame and will invalidate any claim.**



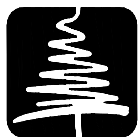
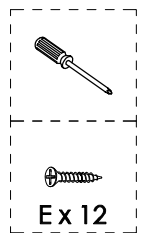
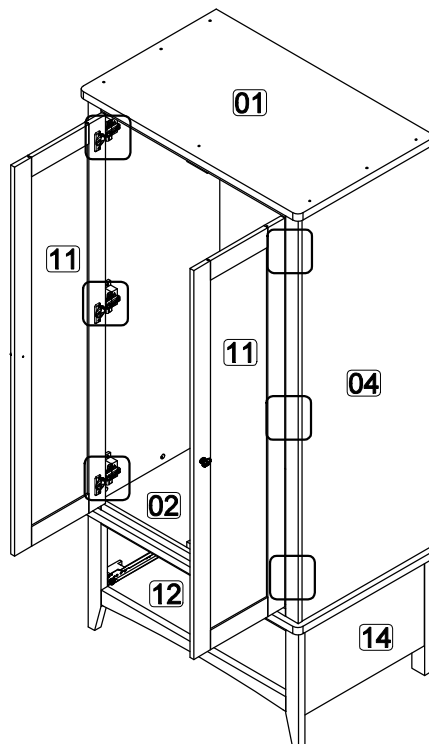
**Step 19:** Attach door panel (11) to hardware M using hardware E with a screwdriver (not provided).  
**DO NOT use any power tools as this may damage the frame and will invalidate any claim.**



Vertical Adjustment

Horizontal Adjustment

Depth Adjustment



**Birlea**

Suppliers of inspiration

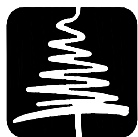
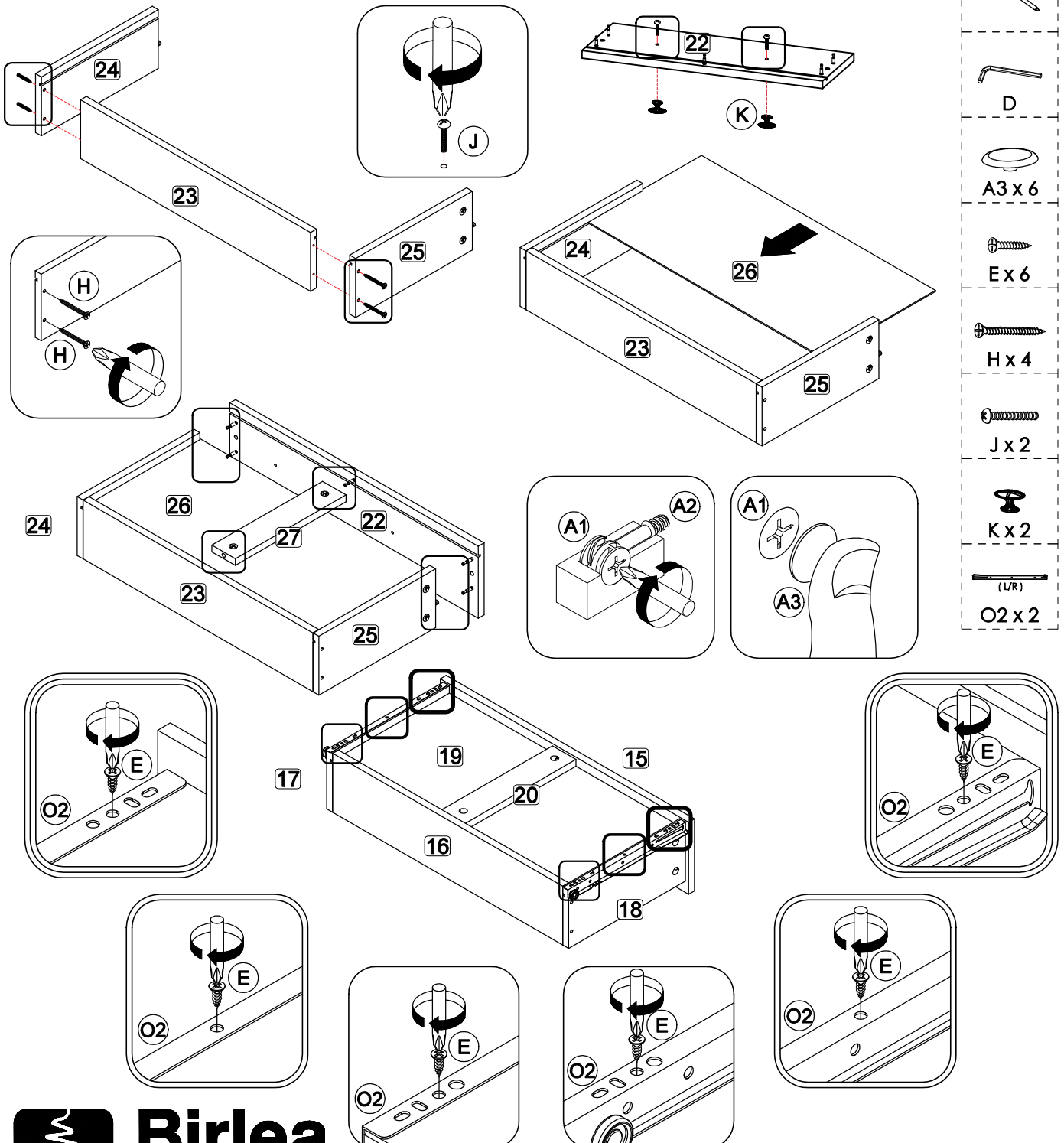
**Step 20: Assemble the drawer components using hardware A3, D, E, H, J, K and O2.**

In this step only show one of the drawers.

**DO NOT use any power tools as this may damage the frame and will invalidate any claim.**

**Drawer Down**

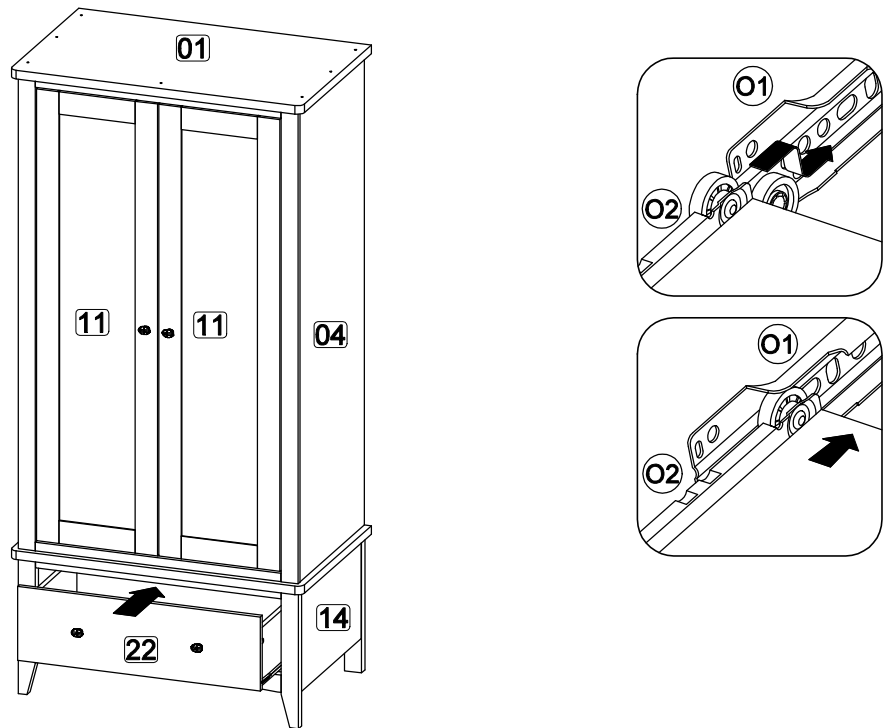
1. Fix hardware K onto panel (22) by using hardware J.
2. Attach drawer side (24) and (25) to drawer back (23) using hardware (H).
3. Slide in the drawer bottom (26).
4. Attach drawer bone (27) to drawer back (23) then attach drawer front (22) to drawer side (24), (25) and drawer bone (27) using hardware A1 and A2 with a screwdriver (not provided).
5. Attach hardware (O2) to drawer sides (24) and (25) using hardware (E).



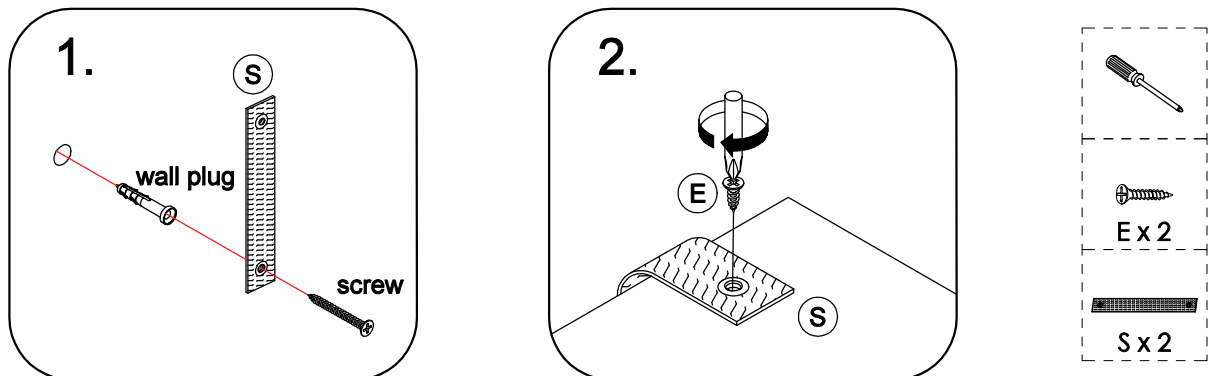
**Birlea**

Suppliers of inspiration

**Step 21:** Assemble the drawers in place along the drawer slides.  
**DO NOT use any power tools as this may damage the frame and will invalidate any claim.**



**Step 22:** To secure the item to the wall use hardware S, screw and wall plug using a screwdriver (not provided). Then attach hardware part S to the panel (1) using hardware E with a screwdriver (not provided).  
**DO NOT use any power tools as this may damage the frame and will invalidate any claim.**



**PLEASE NOTE** that wall fixings are not supplied as different wall materials require different fixing devices. You must use fixings devices suitable for the type of wall you intend to mount product to. Ensure the head of any screw used has a diameter greater than the mounting hole and the fixing is safe and secure before use.

Birlea Furniture advise you use the hardware S ( 2 pcs ) are provided to further enhance the safety of this product.

**Additional Information:**

- For complete product information, images and dimension diagrams please visit the website [www.birlea.com](http://www.birlea.com)
- If you have any issues with your item please contact the retailer directly you purchased it from who will be able to resolve any issues with Birlea.
- Why don't you send us photos of your assembled furniture to [info@birlea.com](mailto:info@birlea.com) to be shared in our #birleahome feature on instagram.