

ASSEMBLY INSTRUCTIONS 135 CM ALFIE STORAGE BED

IMPORTANT: READ THESE INSTRUCTIONS CAREFULLY BEFORE ASSEMBLING OR USING YOUR 135 CM ALFIE STORAGE BED.

PLEASE KEEP THESE INSTRUCTIONS FOR FUTURE REFERENCE.

HEALTH & SAFETY:

DO NOT use this item if any parts are missing, damaged or worn.

DO NOT use this item unless all fixings are secured.

Please keep small parts out of reach of children.

Always use on a level, even surface.

It is recommended that two people handle and assemble the item.

Birlea advise you use the wall straps provided to further enhance the safety of this product.

CARE & MAINTENANCE:

Assemble in the room of use.

To avoid damages assemble the item on a soft, clean surface

Periodically check all screws & fixings to ensure they are secure.

DO NOT push the item as this will damage the base.

Always lift the item with two people to reposition.

Keep any sharp objects away from the item.

This product is manufactured in pine which is a wood with natural characteristics including knots, grains, clusters or indentations.

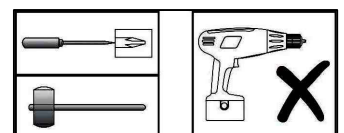
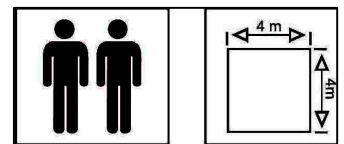
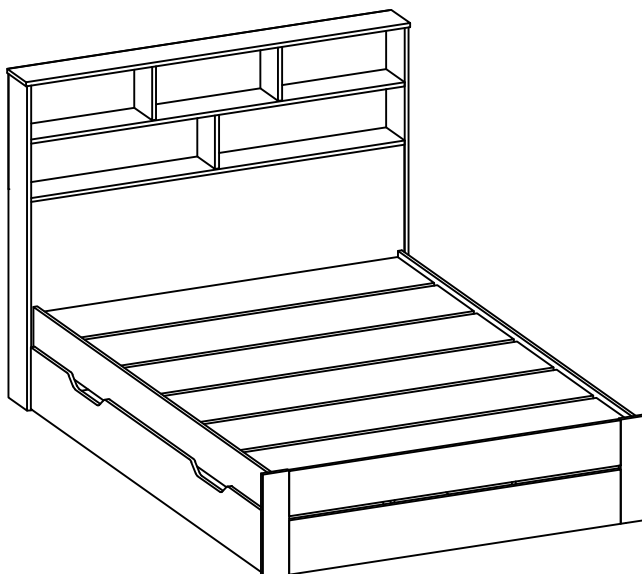
On unpacking the item you may notice an odour due to production processes but this will disappear after a period of time.

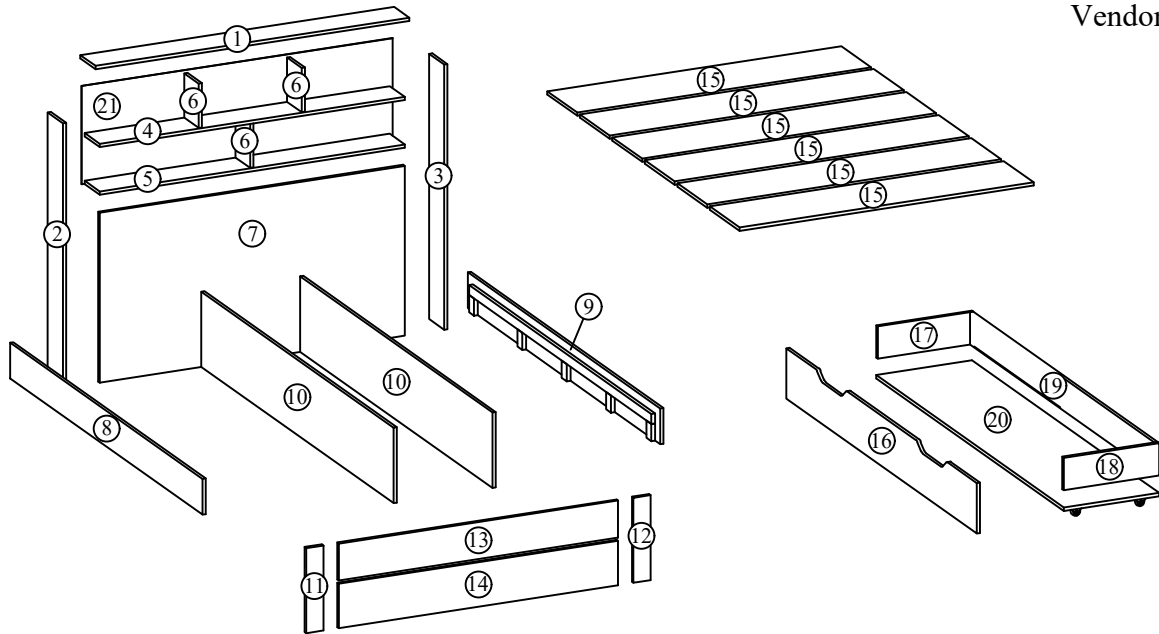
DO NOT place the item next to a radiator or direct sunlight - this item is susceptible to temperature change. It is recommended an even room temperature be maintained with no sudden fluctuations.

DO NOT place hot or cold items directly onto the surface of the item as marking will occur

For general cleaning use a duster or damp cloth (almost dry) not wet - do not use soap and water, detergents, aerosol sprays or any polish as use of these materials would invalidate any claims.

DO NOT place the item onto wet or damp flooring as staining may occur to the floor.





PARTS LIST

Carton 1 of 3:

Part	Description	Qty
1	Headboard Top Panel	1
2	Headboard Left Panel	1
3	Headboard Right Panel	1
4	Headboard Center Panel	1
5	Headboard Bottom Panel	1
6	Headboard Divider Panel	3
7	Headboard Front Panel	1
11	Footboard Left Panel	1
12	Footboard Right Panel	1
13	Footboard Top Panel	1
14	Footboard Bottom Panel	1
17	Drawer Left Panel	1
18	Drawer Right Panel	1
21	Headboard Back Panel	1

Carton 2 of 3:

Part	Description	Qty
8	Left Side Panel	1
9	Right Side Panel	1
10	Base Support Panel	2
16	Drawer Front Panel	1
19	Drawer Back Panel	1
20	Drawer Bottom Panel	1

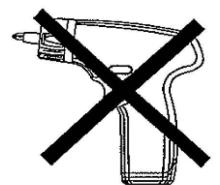
Carton 3 of 3:

Part	Description	Qty
15	Base Panel	6

HARDWARE LIST: Carton 1 of 1




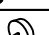


Part	Description	Qty
A	WOOD DOWEL M6 x 25mm	37
B	CAM NUT 15mm	61
C	CAM BOLT	45
D	PVC NAIL	12
E	DOUBLE END BOLT 7mm	8
F	WOOD DOWEL M8 x 50mm	8
G	JCBCW SCREW M5 x 40 mm	6
H	STEEL NUT M6	8
I	JCBC SCREW M6 x 50mm	8
J	ALLEN KEY M6	1
K	CSK SCREW M4 x 30mm	12
L	CSK SCREW M4 x 38mm	15
M	NYLON CASTOR 40-STOP	8
N	CSK SCREW M3.5 x 16mm	16
O	NAIL	27
P	STICKER	14

** You will need a screwdriver and a small mallet (NOT provided)

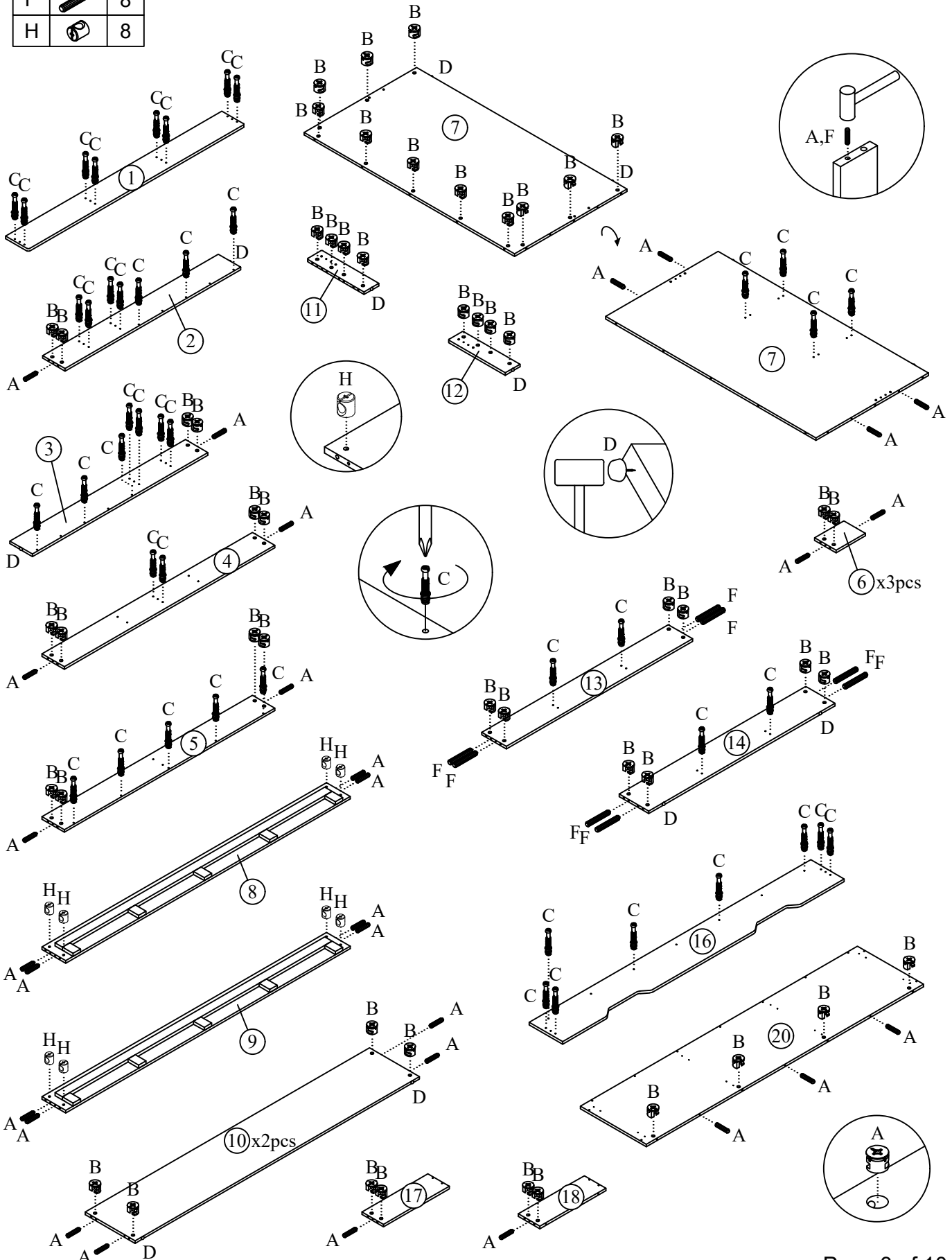


**** WARNING: THE USE OF POWER TOOLS TO ASSEMBLE THIS PRODUCT WILL INVALIDATE ANY CLAIM AND MAY DAMAGE THIS PRODUCT MAKING IT UNSAFE.**



1

A		37
B		61
C		45
D		12
F		8
H		8

Insert hardware part B & part C & part H using a screwdriver (not provided). Insert hardware part A & part D & part F using a small mallet (not provided).
DO NOT use any power tools as this may damage the frame and will invalidate any claim.

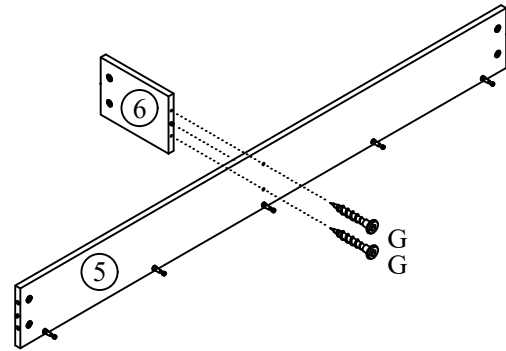
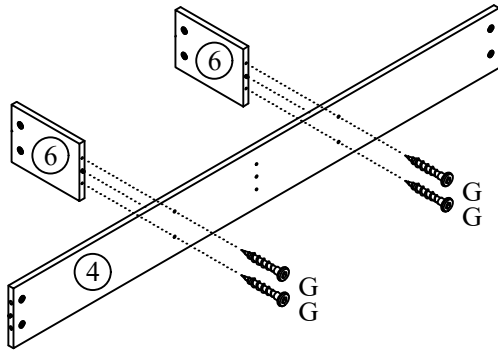
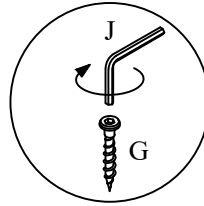


2

G		6
J		1

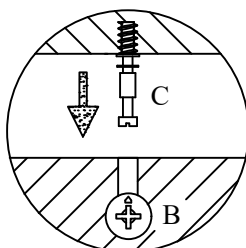
Attach the Headboard Divider Panel (6) to Headboard Center Panel (4) and Headboard Divider Panel (6) to Headboard Bottom Panel (5) with Screw (G) by using allen key (J) and tighten clockwise.

DO NOT use any power tools as this may damage the frame and will invalidate any claim.

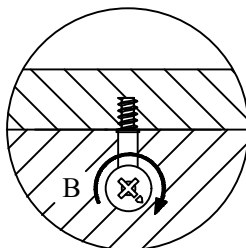


3

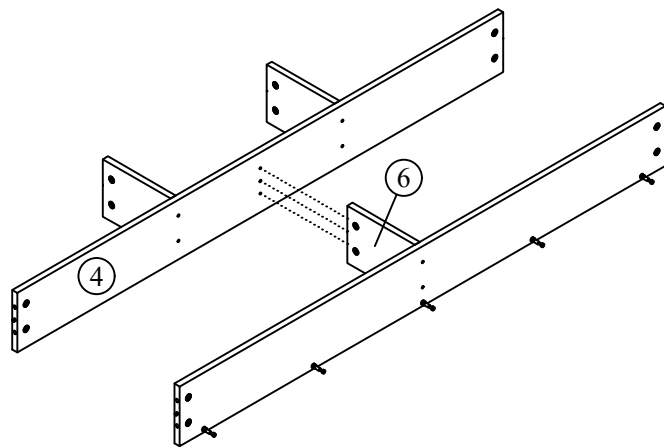
Attach the Headboard Divider Panel (6) to Headboard Center Panel (4) by screwdriver (not provided). **DO NOT** use any power tools as this may damage the frame and will invalidate any claim.



Unlock

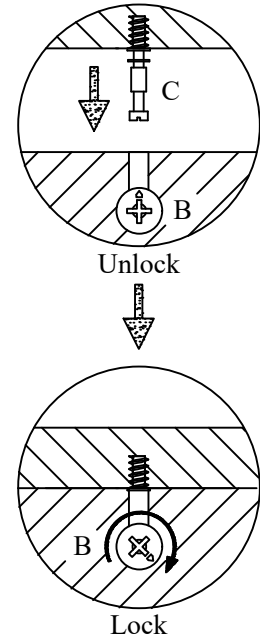
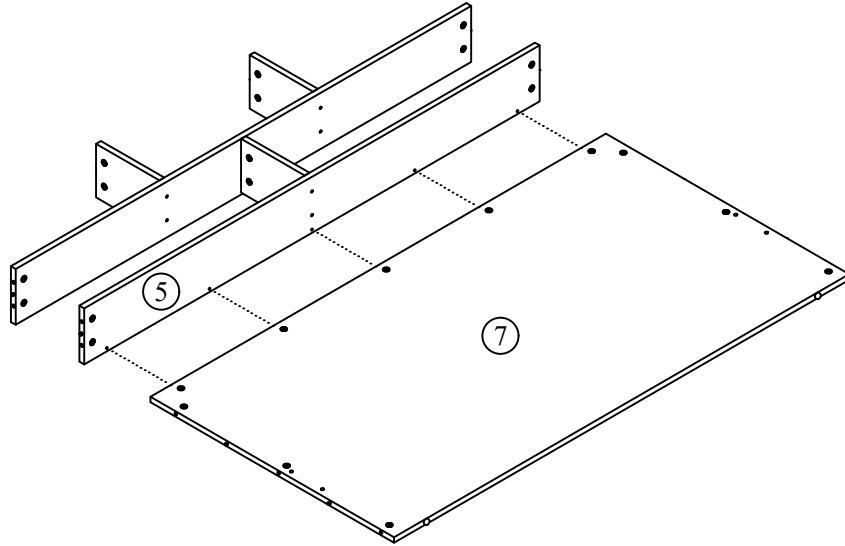


Lock



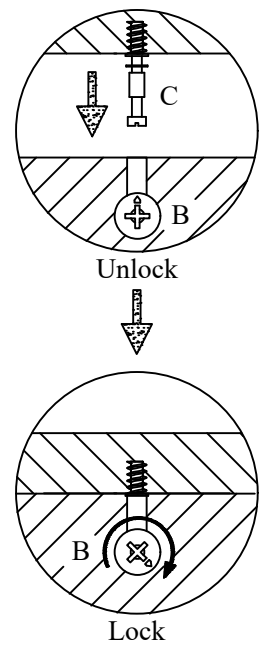
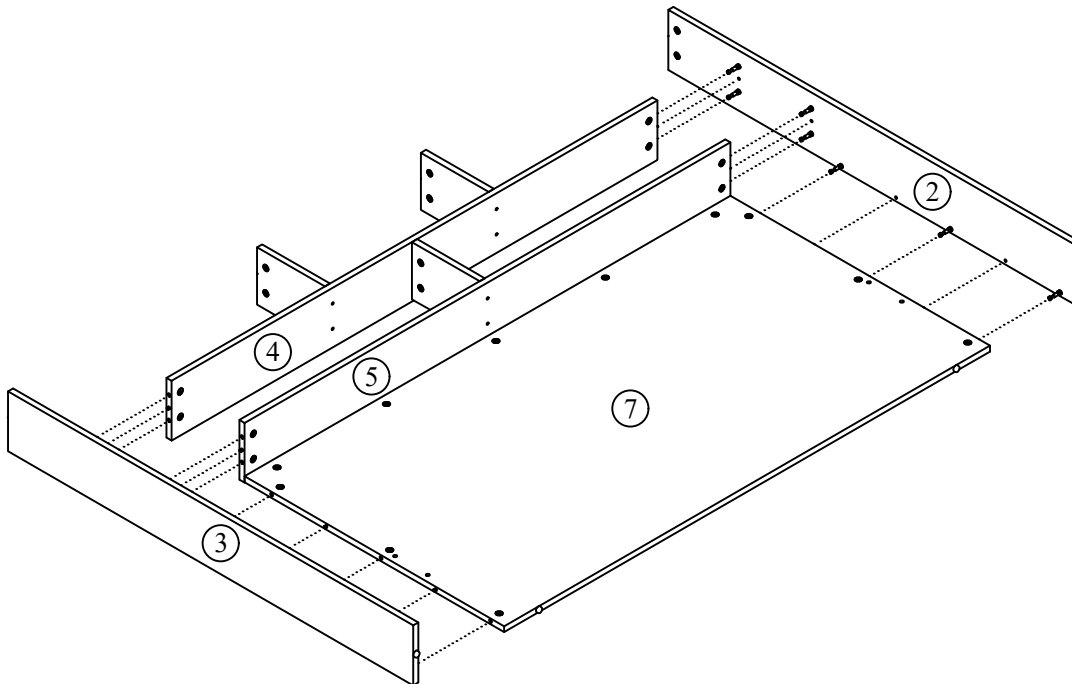
4

Attach the Headboard Front Panel (7) to Headboard Bottom Panel (5) by screwdriver (not provided). **DO NOT** use any power tools as this may damage the frame and will invalidate any claim.

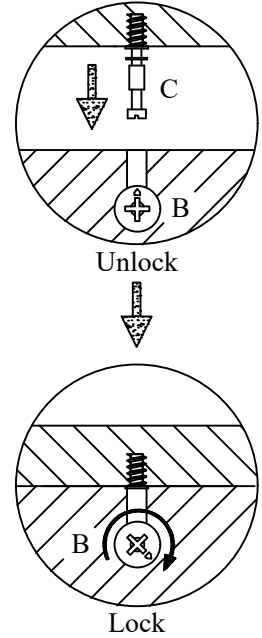
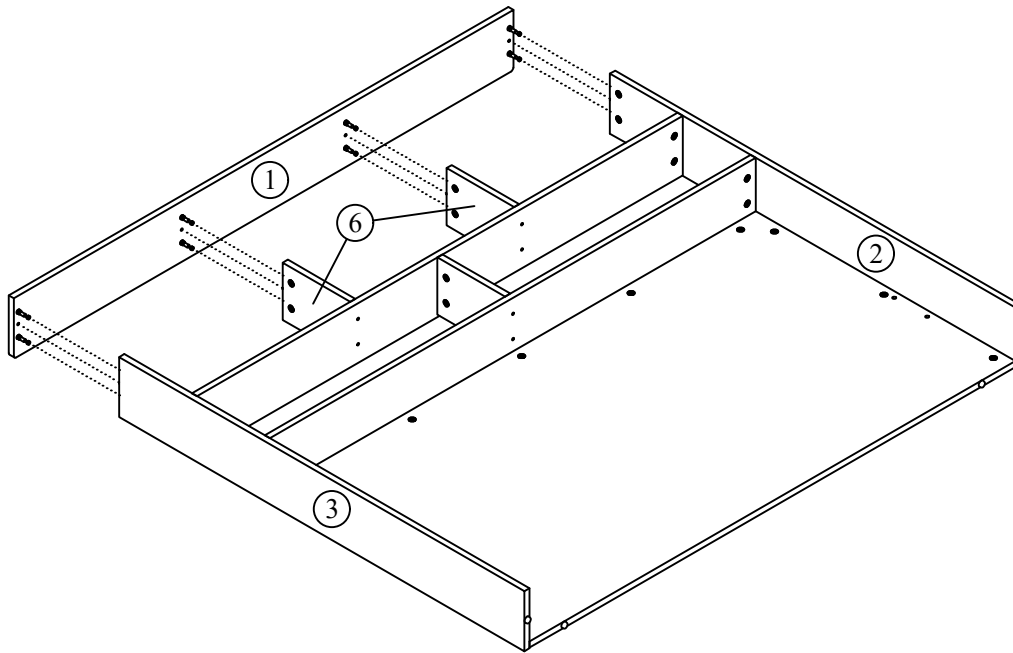


5

Attach the Headboard Left Panel (2) and Headboard Right Panel (3) to Headboard Center Panel (4) and Headboard Bottom Panel (5) and Headboard Front Panel (7) by screwdriver (not provided). **DO NOT** use any power tools as this may damage the frame and will invalidate any claim.



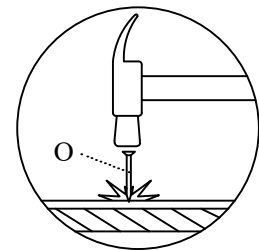
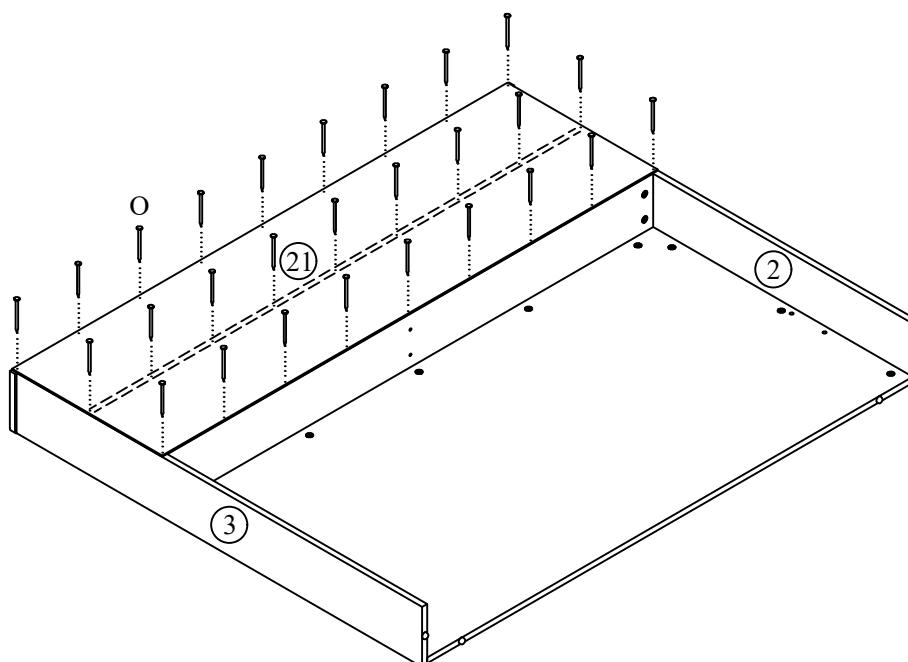
- 6** Attach the Headboard Top Panel (1) to Headboard Left Panel (2) and Headboard Right Panel (3) and Headboard Divider Panel (6) by screwdriver (not provided).
DO NOT use any power tools as this may damage the frame and will invalidate any claim.





- 7**

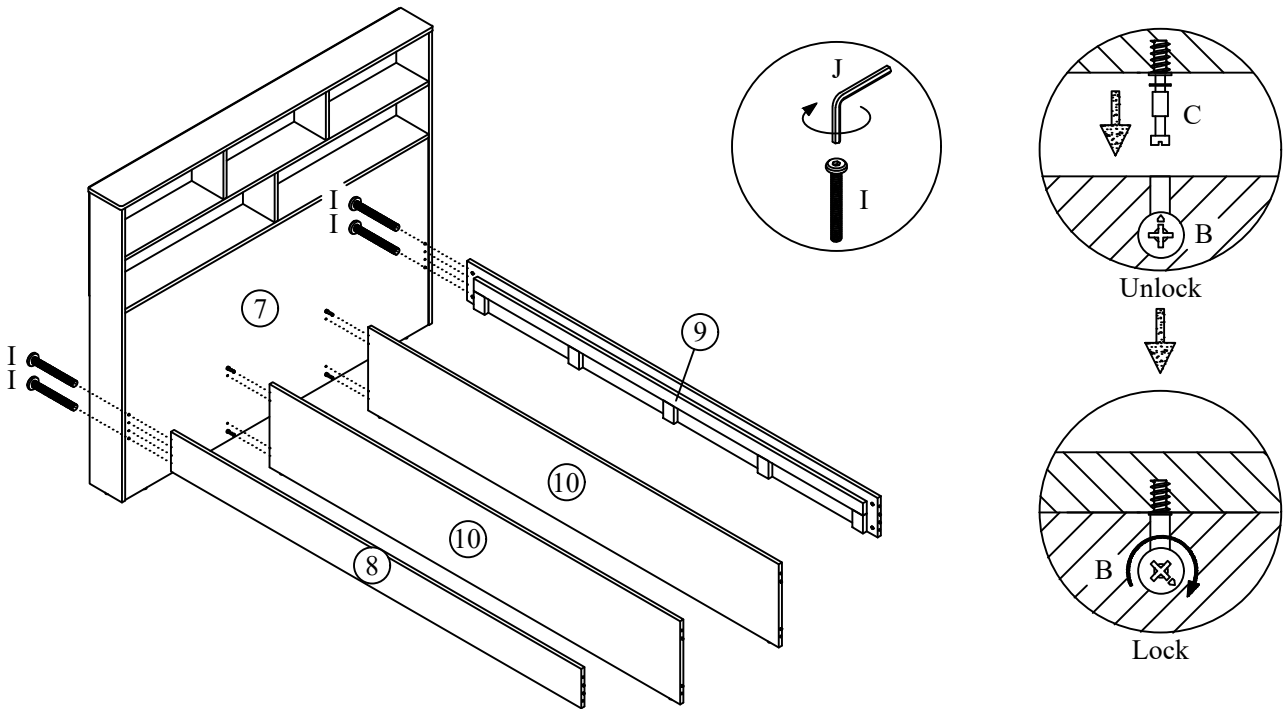
O		27
---	--	----


Attach the Headboard Back Panel (21) with Nail (O) by small mallet (not provided).
DO NOT use any power tools as this may damage the frame and will invalidate any claim.



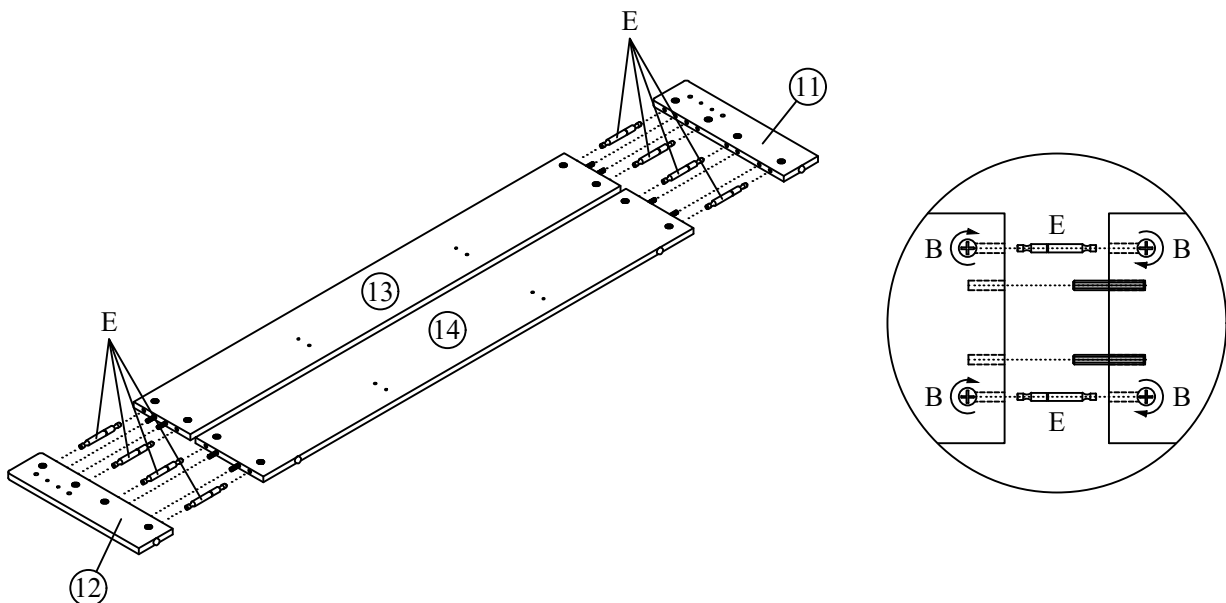
8	I		4
	J		1

Attach the Left Side Panel (8) and Right Side Panel (9) to Headboard Front Panel (7) with Screw (I) by using allen key (J) and tighten clockwise.
 Attach the Base Support Panel (10) to Headboard Front Panel (7) by screwdriver (not provided).
DO NOT use any power tools as this may damage the frame and will invalidate any claim.




9	E		8
---	---	---	---

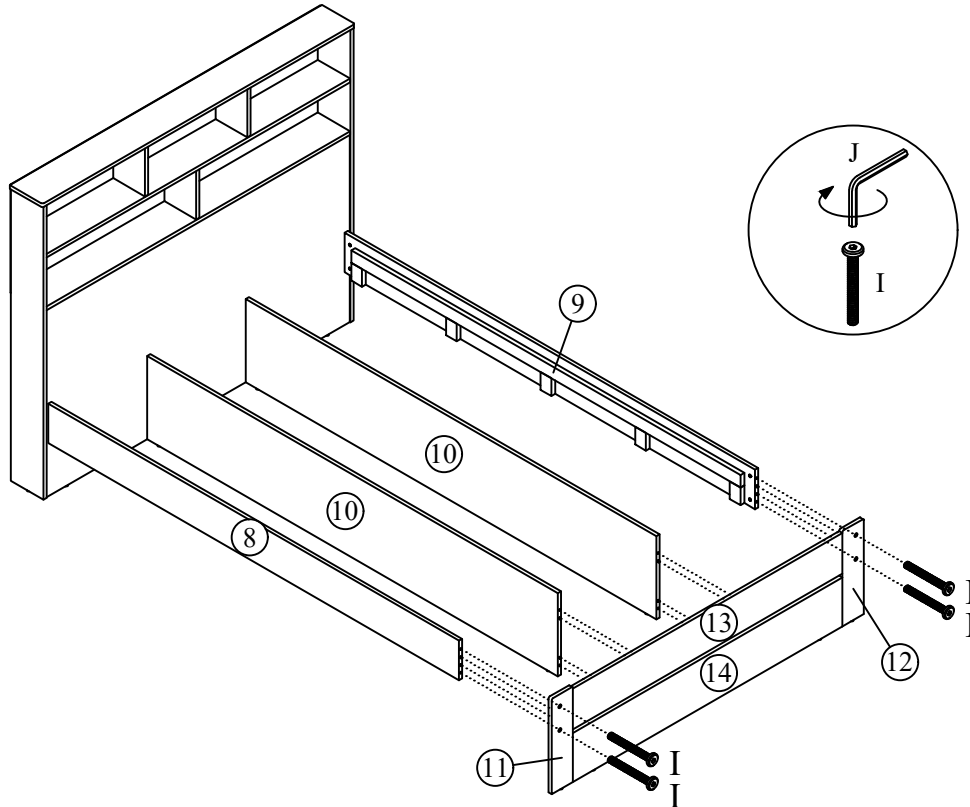
Insert hardware part E to Footboard Left Panel (11) and Footboard Right Panel (12).
 Attach the Footboard Left Panel (11) and Footboard Right Panel (12) to Footboard Top Panel (13) and Footboard Bottom Panel (14) by screwdriver (not provided).
DO NOT use any power tools as this may damage the frame and will invalidate any claim.





10

I		4
---	---	---

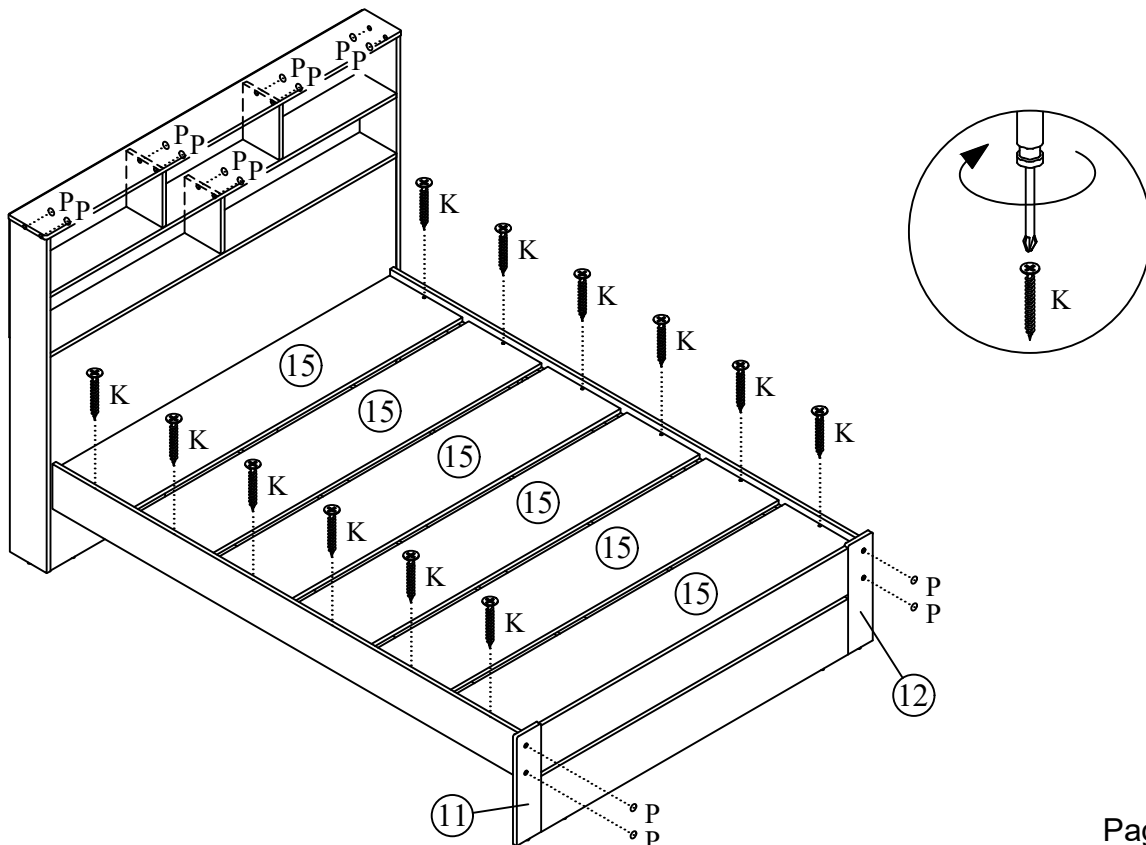
Attach the Footboard Left Panel (11) and Footboard Right Panel (12) to Left Side Panel (8) and Right Side Panel (9) with Screw (I) by using allen key (J) and tighten clockwise.
 Attach the Footboard Top Panel (13) and Footboard Bottom Panel (14) to Base Support Panel (10) by screwdriver (not provided).
DO NOT use any power tools as this may damage the frame and will invalidate any claim.




11

K		12
P		14

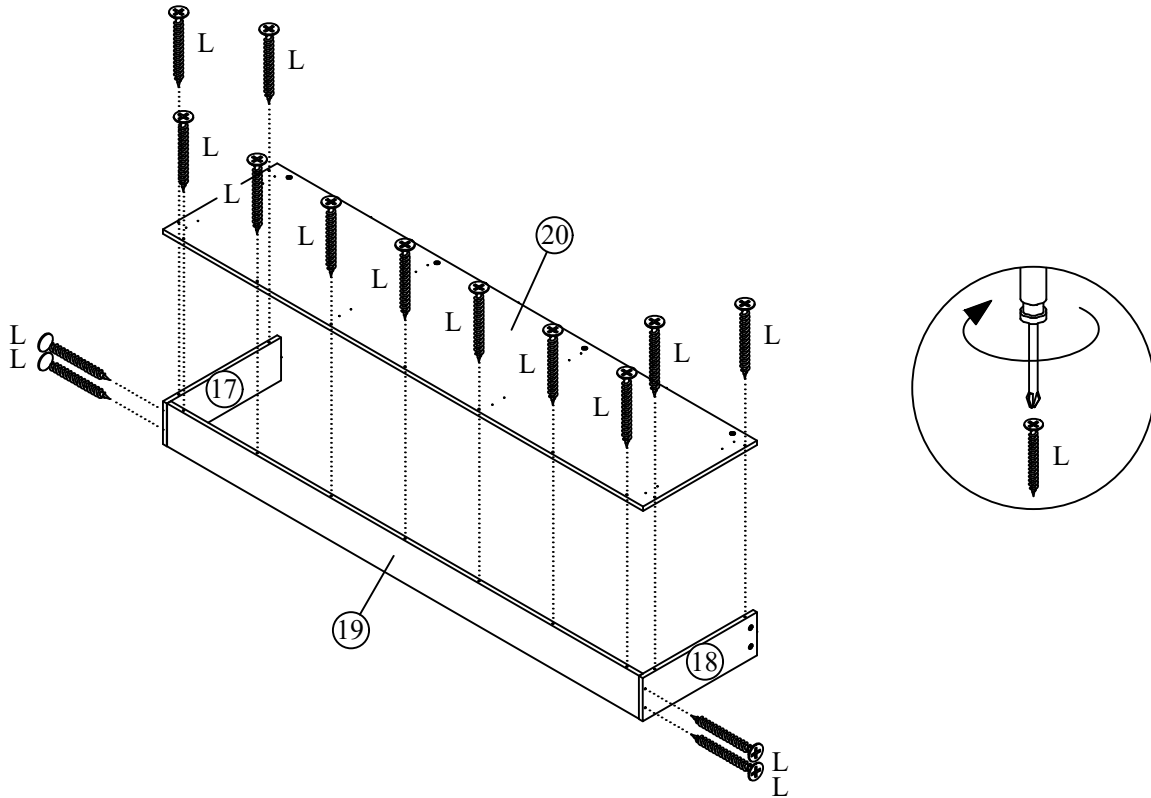
Attach the Base Panel (15) with Screw (K) by screwdriver (not provided).
 Cover screw hole with sticker (P) as shown.
DO NOT use any power tools as this may damage the frame and will invalidate any claim.





12

L		15
---	---	----

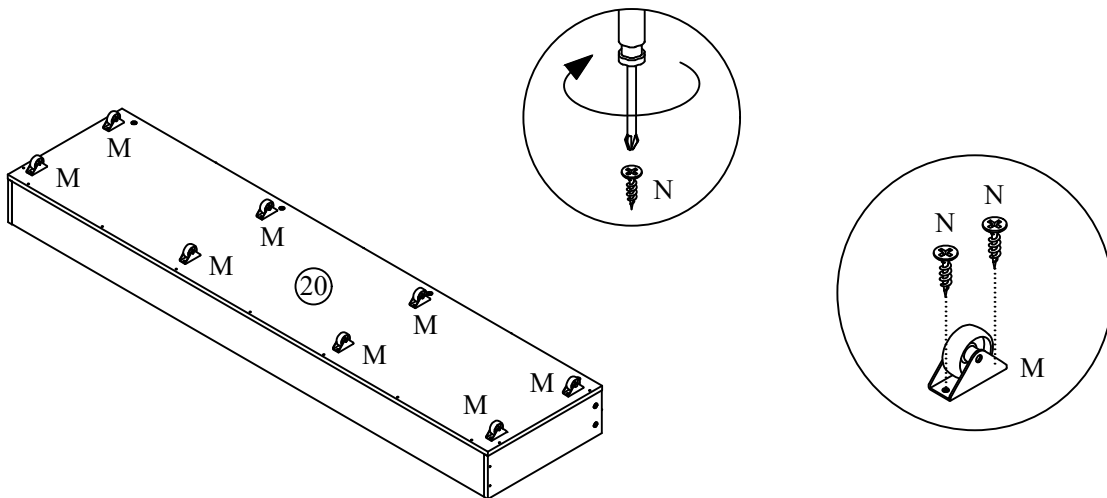
Fix Drawer Left Panel (17) and Drawer Right Panel (18) to Drawer Back Panel (19) with screw (L) by screwdriver (not provided).
 Attach the Drawer Bottom Panel (20) to Drawer Left Panel (17) and Drawer Right Panel (18) and Drawer Back Panel (19) with Screw (L) by screwdriver (not provided).
DO NOT use any power tools as this may damage the frame and will invalidate any claim.



13

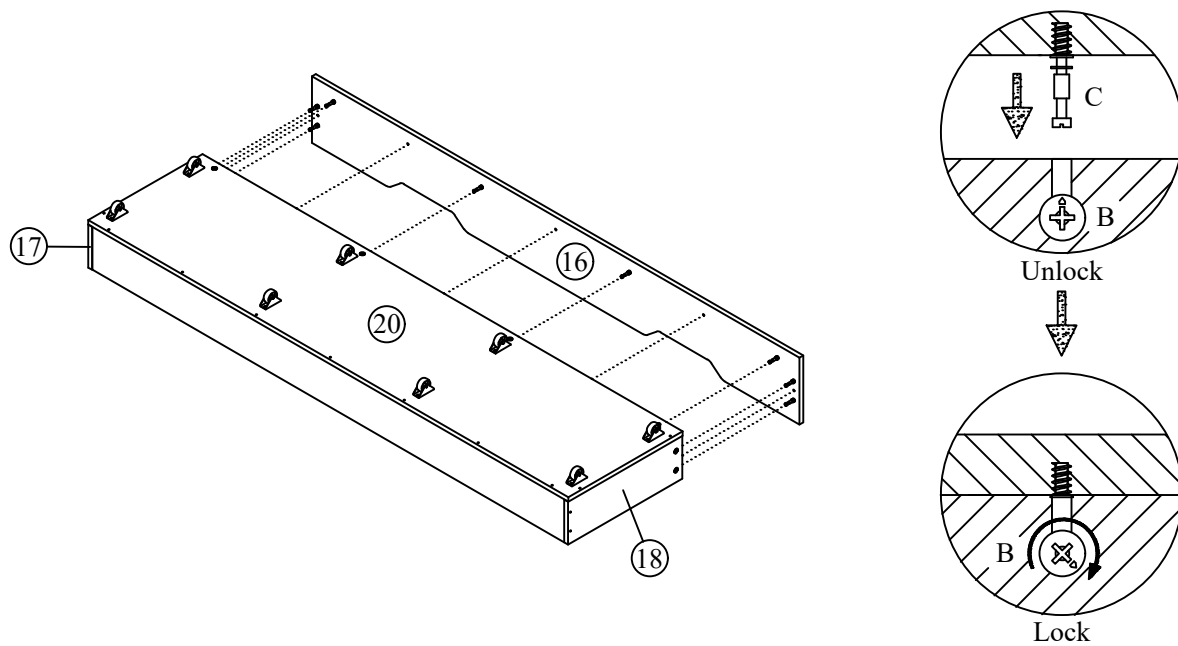
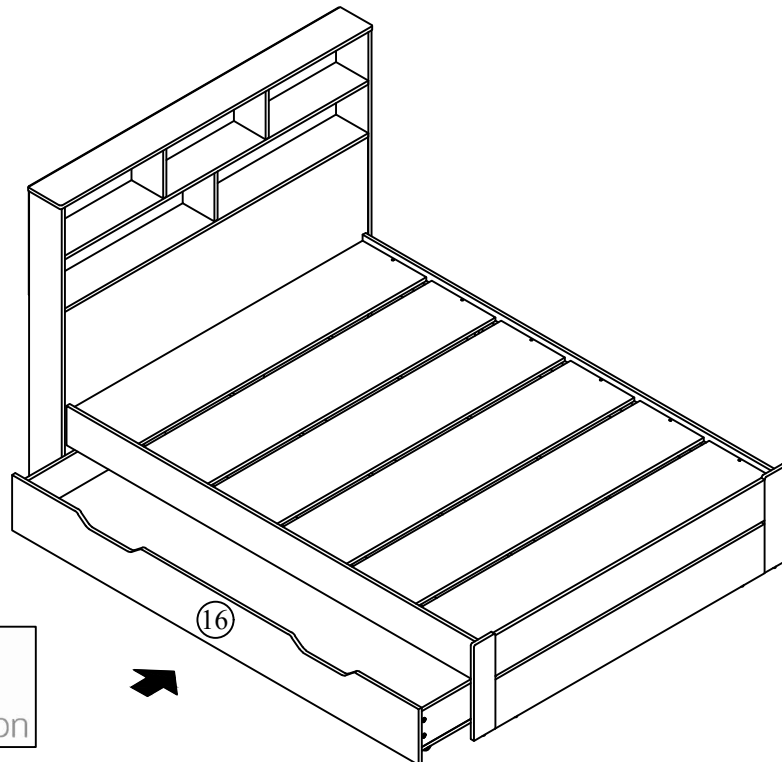
M		8
N		16

Fix Castor (M) using Screw (N) onto Drawer Bottom Panel (20) by screwdriver (not provided).
DO NOT use any power tools as this may damage the frame and will invalidate any claim.



14

Attach the Drawer Left Panel (17) and Drawer Right Panel (18) and Drawer Bottom Panel (20) to Drawer Front Panel (16) by screwdriver (not provided).
DO NOT use any power tools as this may damage the frame and will invalidate any claim.

**15**

.Additional Information:

.For complete product information, images and dimension diagrams please visit the website www.birlea.com

.If you have any issues with your item please contact the retailer directly you purchased it from who will be able to resolve any issues with Birlea.

.Why don't you send us photos of your assembled furniture to info@birlea.com to be shared in our #birleahome feature on Instagram.