



# Birlea

Suppliers of inspiration

## Assembly Instructions

---

*Thank you* for  
purchasing a  
**Birlea** product.

For a chance to win a *Love 2 Shop* voucher simply post a picture of your new product on your preferred social channels tagging Birlea Furniture and using the hashtag **#ShareYourStyle** and **#Birlea**. One winner will be selected at random each month.

To view our full terms and conditions please visit our website. [www.birlea.com](http://www.birlea.com)

---

### Are you happy with your purchase?

**Yes:** That's great, we would love to hear more from you. Please leave us a review on our social media channels or Trustpilot. Your feedback will be greatly appreciated.

**No:** If for any reason there is something missing, indifferent or incorrect with your order, please contact the retailer you purchased the item from. We will work with the retailer to resolve your issue as quickly as possible.



[www.birlea.com](http://www.birlea.com)

# ASSEMBLY INSTRUCTION

## DARWIN FOUR POSTER BED

**IMPORTANT:** READ THESE INSTRUCTIONS CAREFULLY BEFORE ASSEMBLING OR USING BED FRAME.

**PLEASE KEEP THESE INSTRUCTIONS FOR FUTURE REFERENCE.**

### **HEALTH & SAFETY:**

**DO NOT** jump on this bed frame.

**DO NOT** use this bed frame if any parts are missing, damaged or worn.

**DO NOT** use this bed frame unless all fixings are secured.

Please keep small parts out of reach of children.

Always use on a level, even surface.

**WARNING:** If this bed is placed on a non-carpeted floor you must place some protection under all legs to stop the bed frame from moving. If this is not adhered to there is no guarantee if the bed frame collapses.

### **CARE & MAINTENANCE:**

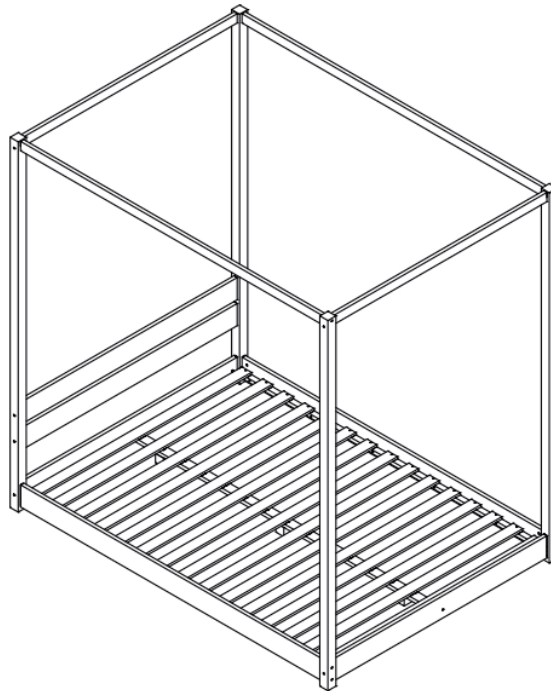
Assemble in the room of use.

Periodically check all screws & fixings to ensure they are secure.

**DO NOT** push the bed frame as this will damage the legs.

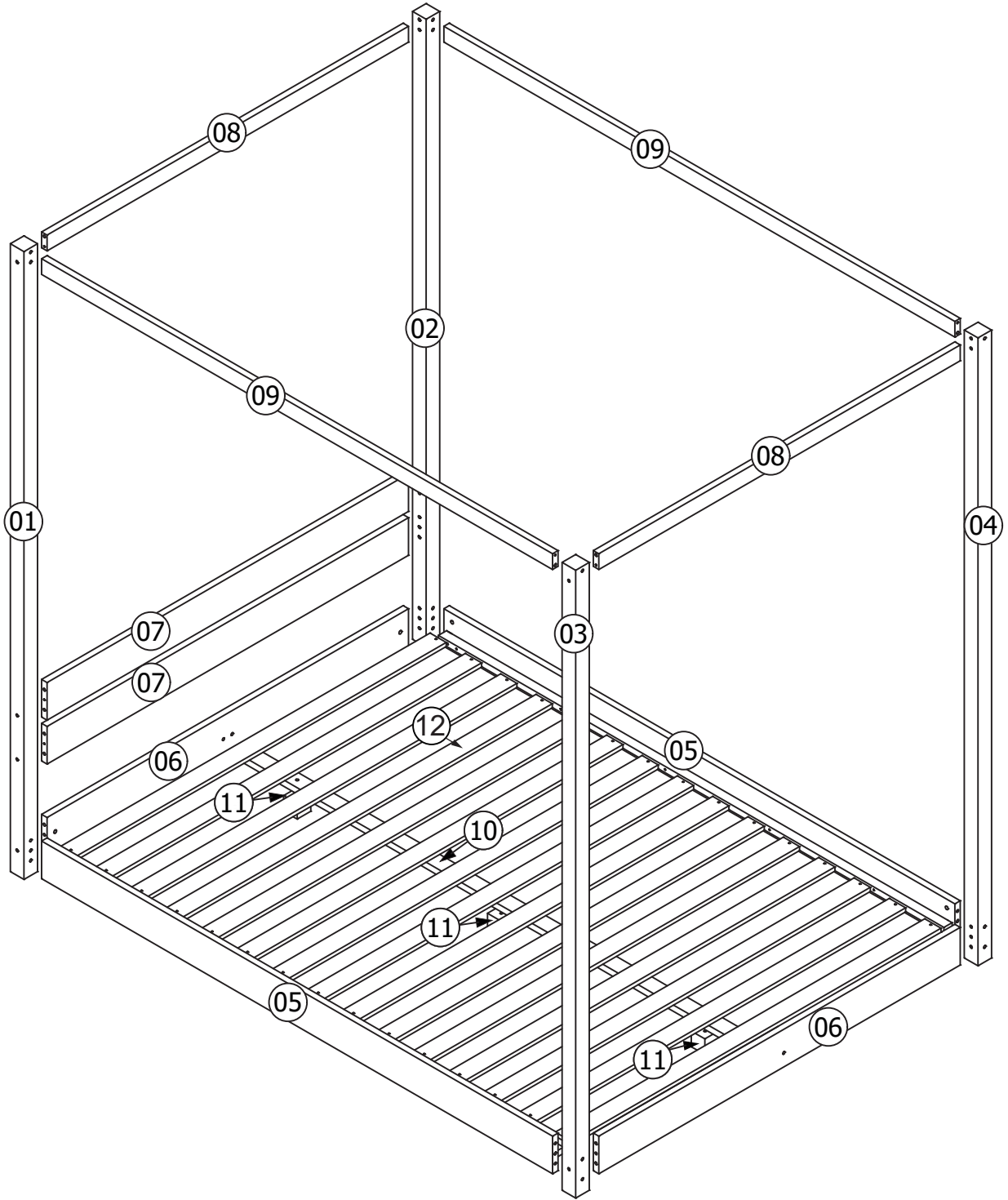
Always lift the bed with two people to reposition.

Keep any sharp objects away from the frame.



**Birlea**

Suppliers of inspiration



**Birlea**

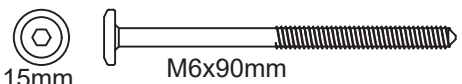
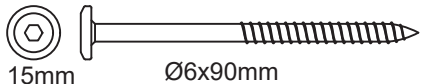

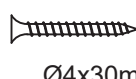
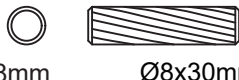
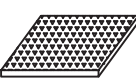
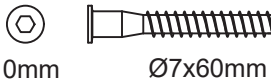

Suppliers of inspiration

\*\*You will need a screwdriver and a small mallet (not provided).

**\*\*2 PERSON ASSMBLY.**

Parts List			
PART	DESCIRPTION	QTY	BOX
1	HEADBOARD LEG(LEFT)	1	1
2	HEADBOARD LEG(RIGHT)	1	1
3	FOOTEND LEG(LEFT)	1	1
4	FOOTEND LEG(RIGHT)	1	1
5	SIDERAILS	2	1
6	HEADBOARD&FOOTEND BOTTOM PANEL	2	1
7	HEADBOARD UPPER PANEL	2	1
8	TOP FRAME(WIDTH)	2	1
9	TOP FRAME(DEPTH)	2	1
10	CENTRE RAIL	1	1
11	SUPPORT LEG	3	1
12	SLATS	1	2

## HARDWARE (IN BOX1)

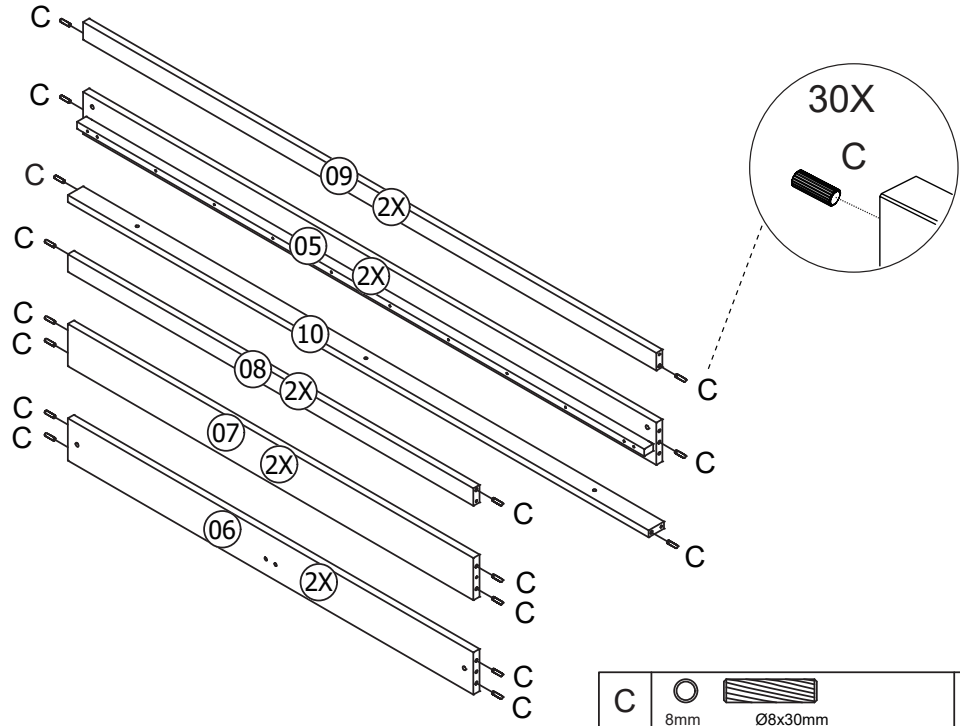
A	 15mm M6x90mm	12	E	 15mm Ø6x90mm	12
B	 Ø10.5x16mm	12	F	 8mm Ø4x30mm	30
C	 8mm Ø8x30mm	30	G	 40x40mm	04
D	 10mm Ø7x60mm	05	K	 4mm	01



**Birlea**

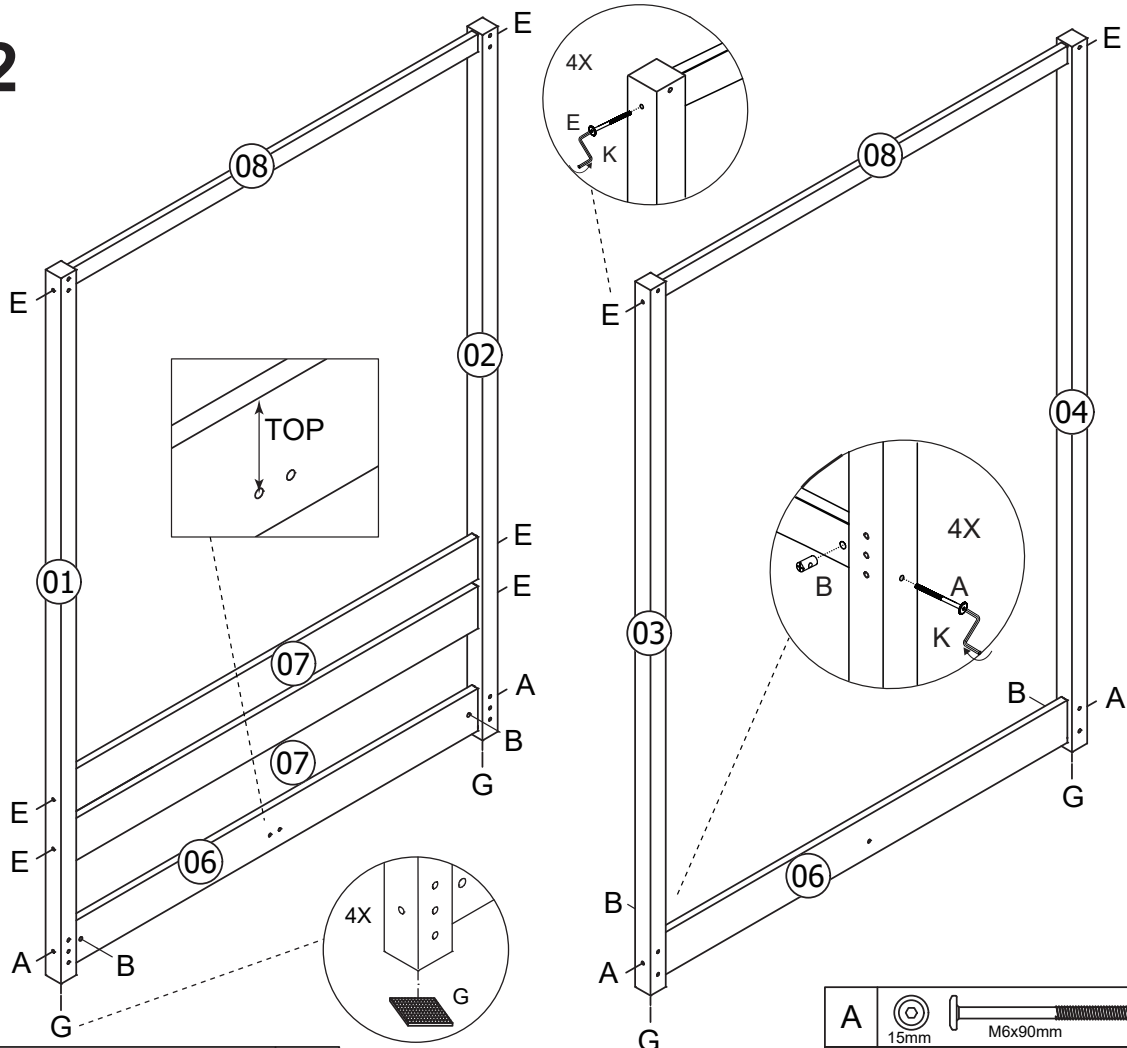
Suppliers of inspiration

# 01



C			30
---	--	--	----

# 02



G		40x40mm	04
K		4mm	01

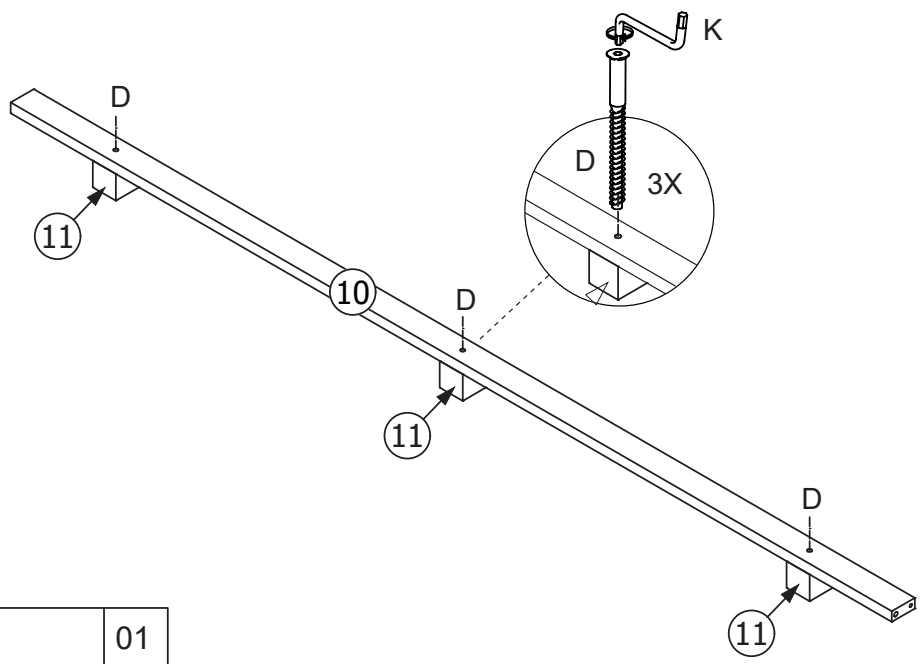
A			04
B		Ø10.5x16mm	04
E			08


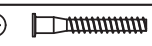


# Birlea

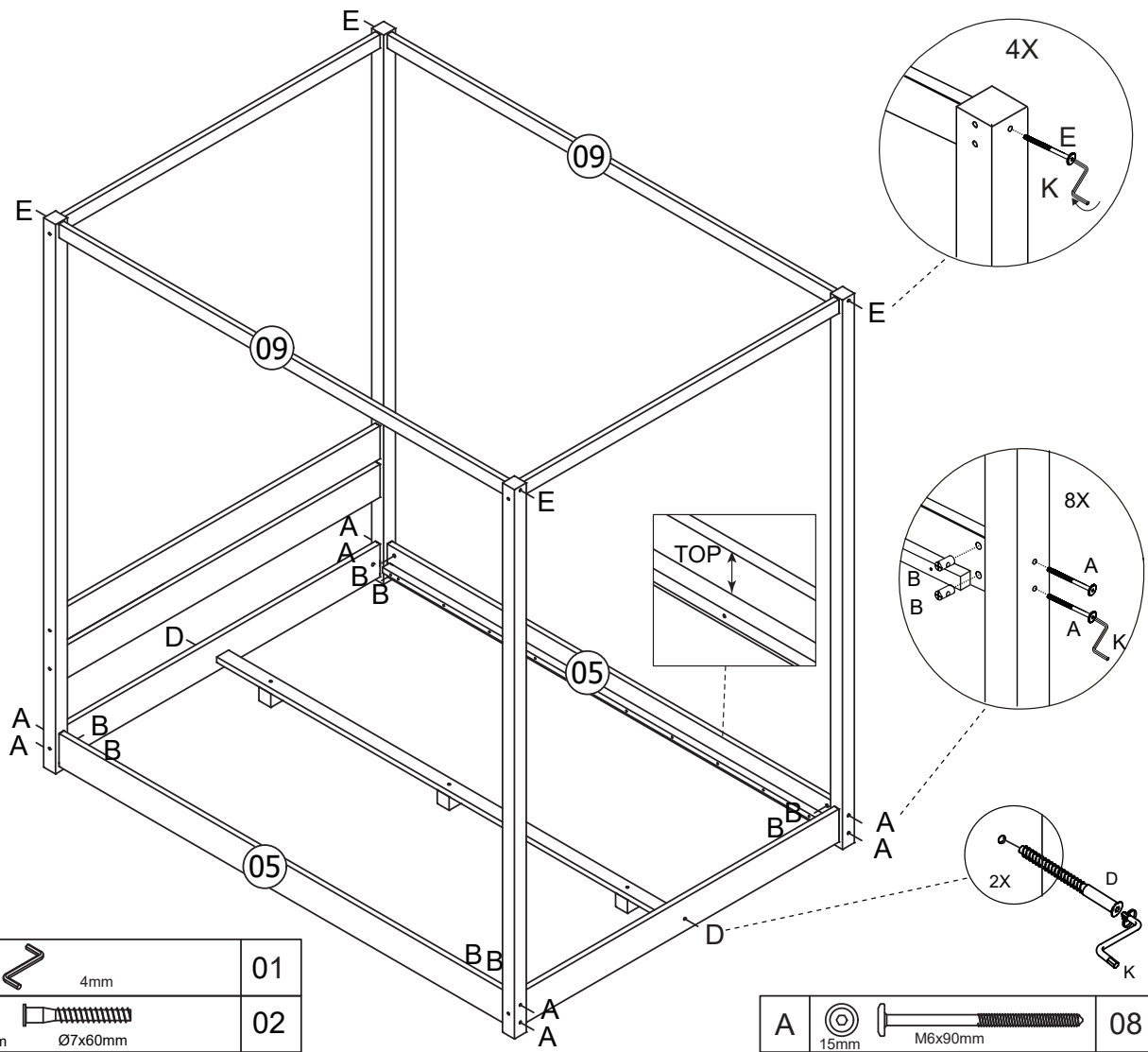
Suppliers of inspiration


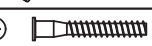
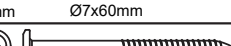
# 03





K	 4mm	01
D	 10mm Ø7x60mm	03

# 04



K	 4mm	01
D	 10mm Ø7x60mm	02
E	 15mm Ø6x90mm	04

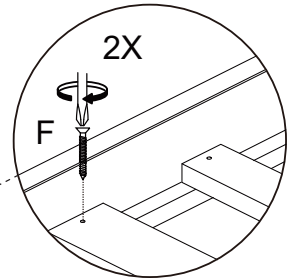
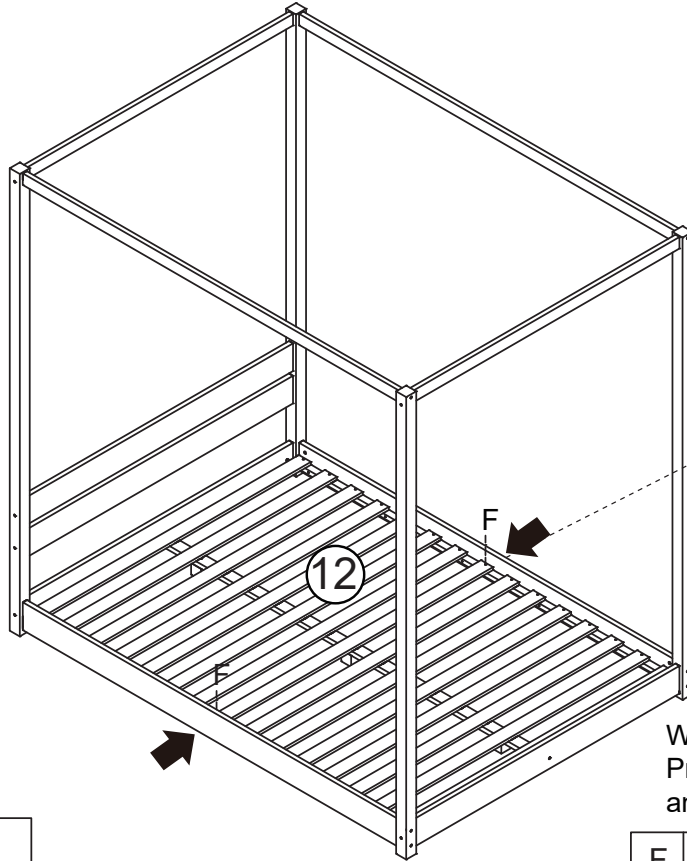
A	 15mm M6x90mm	08
B	 Ø10.5x16mm	08



**Birlea**

Suppliers of inspiration

05



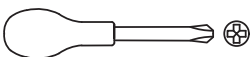
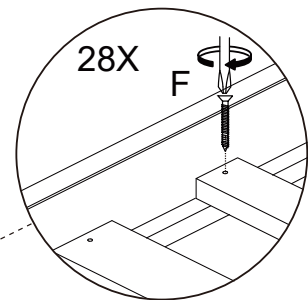
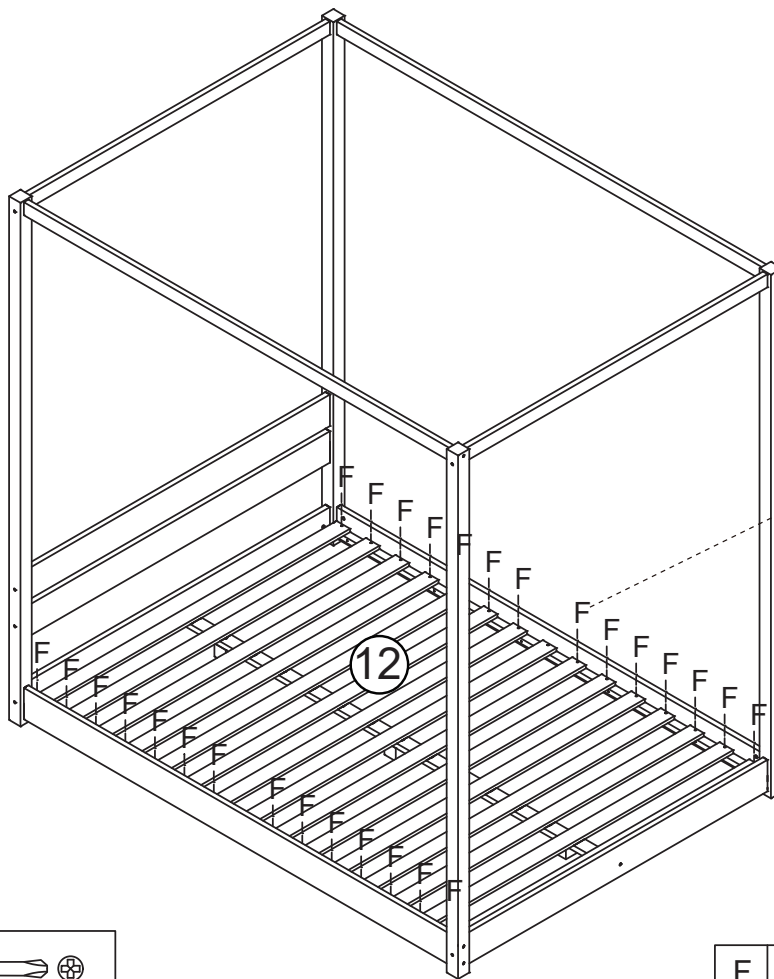
**WARNING:**  
Press the middle of bed sides  
and tighten the screw first.



F  8mm  Ø4x30mm

02

06



F  8mm  Ø4x30mm

28



**Birlea**

Suppliers of inspiration

## Additional Information:

- For complete product information, images and dimension diagrams please visit the website [www.birlea.com](http://www.birlea.com)
- If you have any issues with your item please contact the retailer directly you purchased it from who will be able to resolve any issues with Birlea.
- Why don't you send us photos of your assembled furniture to [info@birlea.com](mailto:info@birlea.com) to be shared in our #birleahome feature on Instagram.



**Birlea**

Suppliers of inspiration