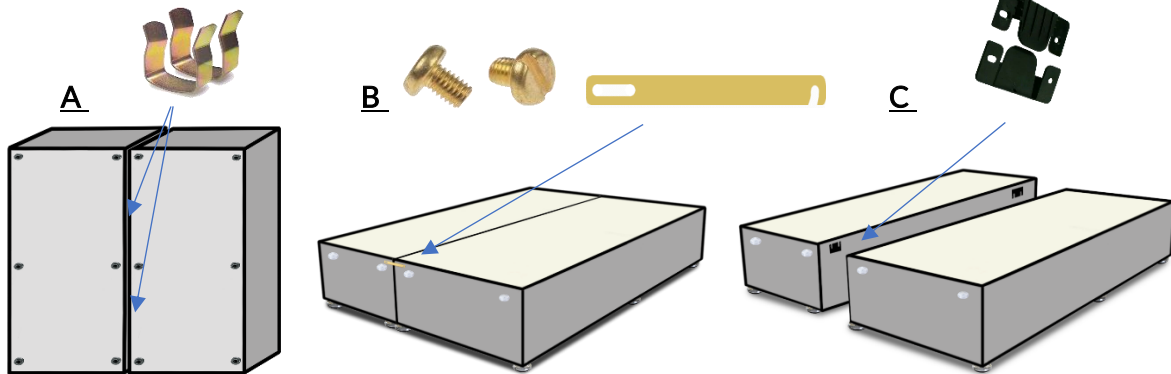
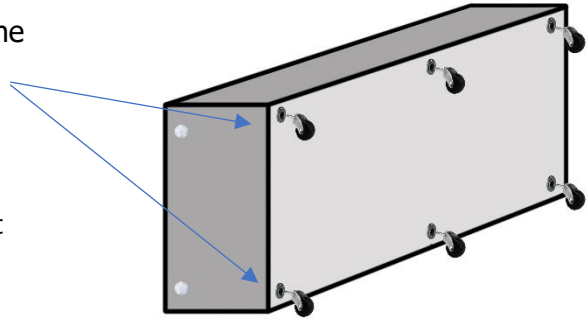
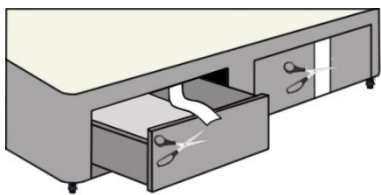


Divan Base Assembly Instructions for 6ft

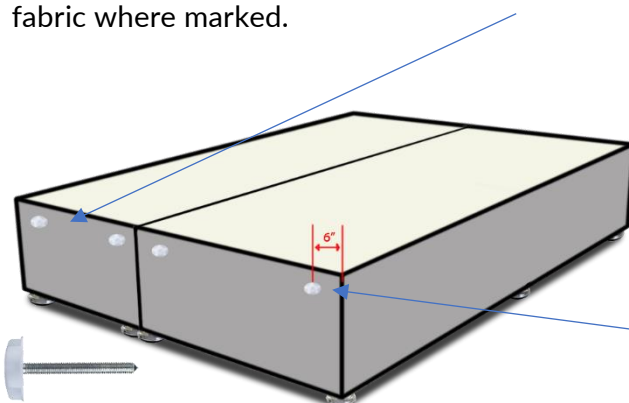
- Remove all polythene / cardboard corners from your new divan base and dispose of carefully for recycling.
- Turn each divan base on its side and insert the castors / glides into the corresponding holes on each corner and the middle of the base.
- Gently knock them into place using a rubber mallet. If you have difficulty doing this insert a small screwdriver into the locator hole to clear the blockage.
- Delivered in 2 halves, the divan will have one of the following
 - A. **U-Clips** - stand both halves up side by side and place the u-clips over the wooden straps on the underside where the 2 halves meet.
 - B. **Side Linking Bars** - push the 2 halves together and join them using the linking bars and screws provided.
 - C. **Male and Female Joining Clips** - push the 2 halves together, raise one side slightly then lower its clip onto the clip on the other half. Repeat for the opposite side.



- If your base has storage, the drawers will be held in place with fabric restraining straps to ensure the drawers stay in place during transportation. To release the drawer(s), cut the fabric strap across the centre, then trim the remaining fabric so it does not interfere with the drawer(s) opening or closing.



- Insert the headboard bolts into the locator holes at the headend of each base by piercing the fabric where marked.



If the holes are not marked, they are located 6" from the edge of the base