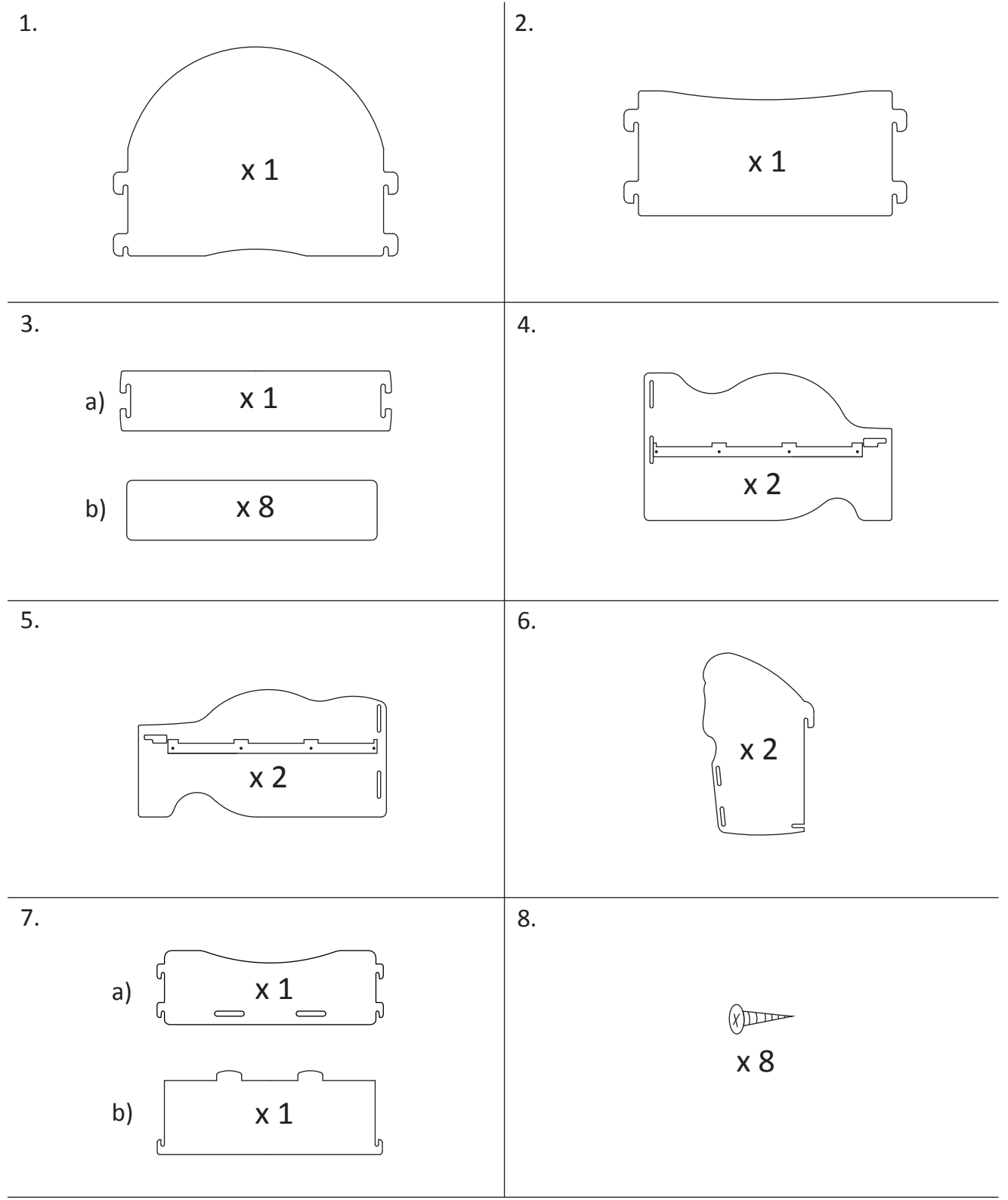


- A. Take the headboard (1) and slot in the back side panels (4). Do the same with the footboard (2) slot in the front side panels (5).
- B. Pull the front / back side panels (4 + 5) together, then insert the centre support (3a) to the holes in the side on one side, then repeat for the other side.
- C. Put slats (3b) in place on the side panels (4 + 5).
- D. Take the toybox side panels (6) and slot together with the toybox front panel (7a), then slot in the toybox base panel (7b).
- E. Sit the toybox on the footboard (2), then screw in slats (3b), (screw driver not supplied).

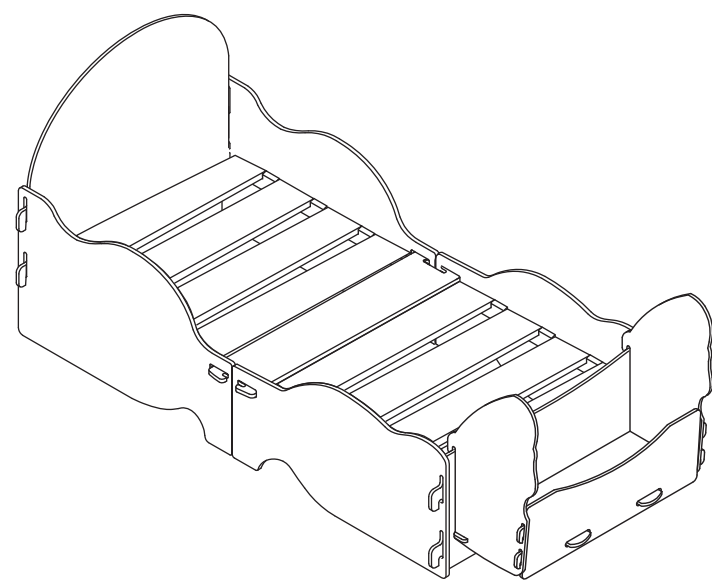
3

**PARTS LIST**



1. Headboard  
 2. Footboard  
 3. a) Centre Support  
 b) Slats  
 4. Back Side Panel  
 5. Front Side Panel  
 6. Toybox Side Panel  
 7. a) Front Toybox Panel  
 b) Base Toybox panel  
 8. Screw

2



The JUNIOR BED is now complete, please read the user guide notes to maintain the unit to its highest standard.

**USER GUIDE**

Thank you for choosing a KIDSAW product. Please take a little time to read the important safety notes detailed below. This will ensure many years of happy, safe use.

**SAFETY: TAKE NOTE**

- Keep this product away from fire and direct heat sources.
- Only use spares approved by KIDSAW.
- Always empty the bedside before dismantling.
- Adult assembly required.

**CARE & MAINTENANCE**

- All surfaces should be wiped over using a damp cloth to clean.
- Never clean with abrasive, ammonia based, bleach or spirit type cleaner

4

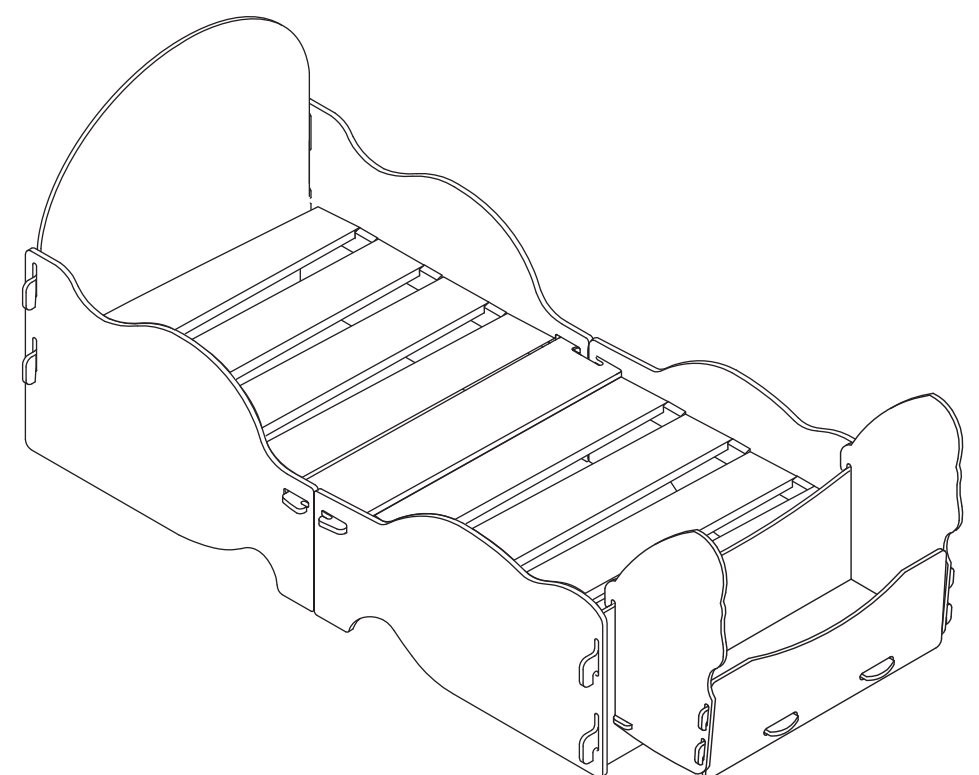
**IMPORTANT  
 KEEP FOR FUTURE REFERENCE & READ CAREFULLY**

**PRINCESS  
 CARRIAGE  
 JUNIOR BED**

Follow us on  
 facebook



[www.facebook.com/kidsaw](http://www.facebook.com/kidsaw)



**INSTRUCTIONS**



Kidsaw Ltd  
 Tel: 0116 2519551 Email: [support@kidsaw.co.uk](mailto:support@kidsaw.co.uk)  
[www.kidsaw.co.uk](http://www.kidsaw.co.uk)