



Birlea

Suppliers of inspiration

Vendor: S000267



ASSEMBLY INSTRUCTIONS MEMPHIS SWIVEL CHAIR

IMPORTANT: READ THESE INSTRUCTIONS CAREFULLY BEFORE ATTEMPTING TO ASSEMBLE OR USE YOUR MEMPHIS SWIVEL CHAIR.

PLEASE KEEP THESE INSTRUCTIONS FOR FUTURE REFERENCE.

HEALTH & SAFETY:

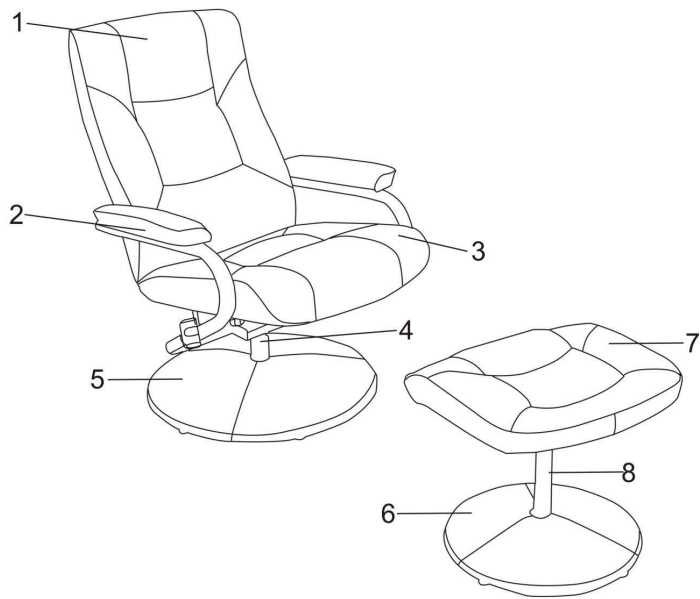
- DO NOT jump on this chair.
- DO NOT use this chair if any parts are missing, damaged or worn.
- DO NOT use this chair frame unless all fixings are secured.
- Please keep small parts out of reach of children.
- Always use on a level, even surface.

CARE & MAINTENANCE:

- Assemble in the room of use.
- Periodically check all screws & fixings to ensure they are secure.
- DO NOT push the chair as this will damage the legs.
- Always lift the chair with two people to reposition.
- Keep any sharp objects away from the chair.



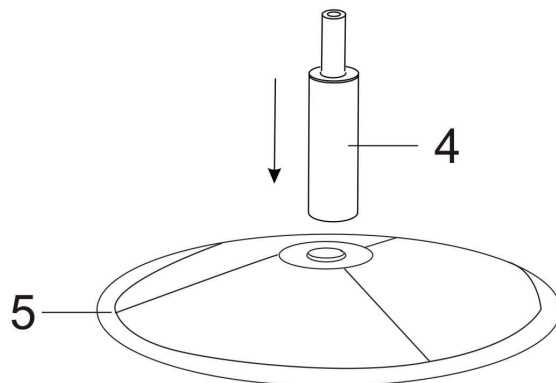
www.birlea.com



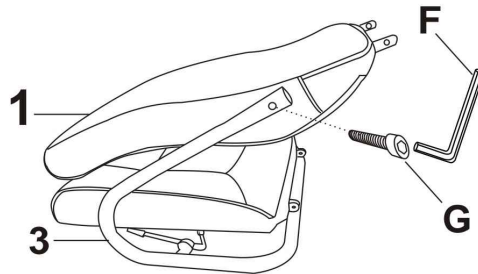
Parts List			Hardware List		
Part	Description	Qty	Part	Description	Qty
1	Chair Back	1	A	M6 x 40 mm Screw	4
2	Chair Arm	2	B	M6 x 20 mm Screw	4
3	Seat	1	C	M8 x 25 mm Bolt	2
4	Chair Connector	1	D	Lever	1
5	Chair Base	1	E	M6 Allen Key	1
6	Stool Base	1	F	M8 Allen Key	1
7	Stool Top	1	G	M8 x 50 mm Bolt	2
8	Stool Connector	1	H	M8 Spanner	1

Step 1: Attach the chair connector (4) to the chair base (5).

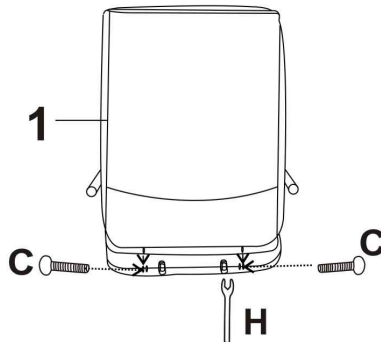
DO NOT use any power tools as this may damage the item and will invalidate any claim.



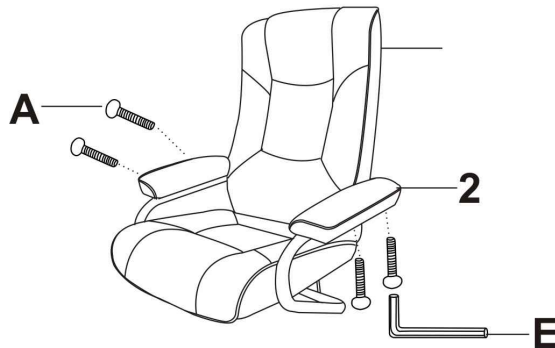
Step 2: Attach the chair back (1) to the seat (3) using hardware parts F and G.
DO NOT use any power tools as this may damage the item and will invalidate any claim.



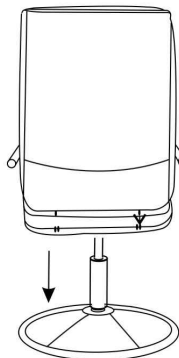
Step 3: Secure the chair back (1) in place using hardware parts C and H.
DO NOT use any power tools as this may damage the item and will invalidate any claim.



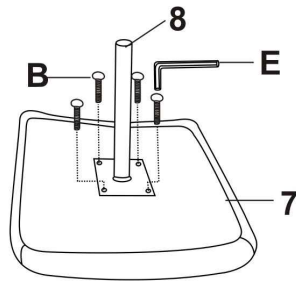
Step 4: Attach the chair arms (2) using hardware parts A and E.
DO NOT use any power tools as this may damage the item and will invalidate any claim.



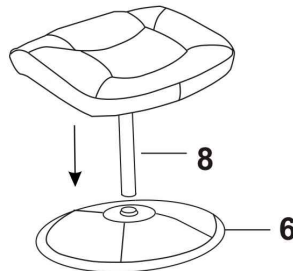
Step 5: Attach the chair to the base section.
DO NOT use any power tools as this may damage the item and will invalidate any claim.



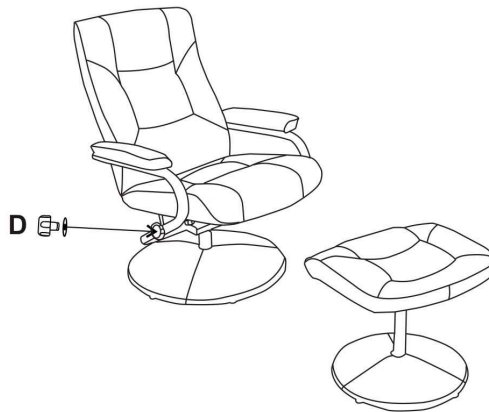
Step 6: Attach the stool connector (8) to the stool top (7) using hardware parts B and E.
DO NOT use any power tools as this may damage the item and will invalidate any claim.



Step 7: Insert the stool connector (8) to the stool base (6).
DO NOT use any power tools as this may damage the item and will invalidate any claim.



Step 8: Insert hardware part D to the chair.
DO NOT use any power tools as this may damage the item and will invalidate any claim.



Additional Information:

- For complete product information, images and dimension diagrams please visit the website www.birlea.com
- If you have any issues with your item please contact the retailer directly you purchased it from who will be able to resolve any issues with Birlea.
- Why don't you send us photos of your assembled furniture to info@birlea.com to be shared in our #birleahome feature on Instagram.