

# Birlea

Suppliers of inspiration

## Assembly Instructions

---

*Thank you* for  
purchasing a  
Birlea product.

For a chance to win a *Love 2 Shop* voucher simply post a picture of your new product on your preferred social channels tagging Birlea Furniture and using the hashtag **#ShareYourStyle** and **#Birlea**. One winner will be selected at random each month.

*To view our full terms and conditions please visit our website. [www.birlea.com](http://www.birlea.com)*

---

### **Are you happy with your purchase?**

**Yes:** That's great, we would love to hear more from you. Please leave us a review on our social media channels or Trustpilot. Your feedback will be greatly appreciated.

**No:** If for any reason there is something missing, indifferent or incorrect with your order, please contact the retailer you purchased the item from. We will work with the retailer to resolve your issue as quickly as possible.



[www.birlea.com](http://www.birlea.com)

## **ASSEMBLY INSTRUCTIONS** **135CM HOUSTON BED**

**IMPORTANT : READ THESE INSTRUCTIONS CAREFULLY BEFORE ATTEMPTING TO ASSEMBLE OR USE YOUR 135CM HOUSTON BED .**

**PLEASE KEEP THESE INSTRUCTIONS FOR FUTURE REFERENCE.**

### **ASSEMBLY:**

Assembly should be carried out with this item laying flat, not standing upright.

Assemble on a soft, clean surface to prevent damages.

To erase the numbers printed on the pieces, use the rubber inside the accessories pack.

### **HEALTH & SAFETY:**

DO NOT use this product if any parts are missing, damaged or worn.

DO NOT use this product unless all fixings are secured.

Always use on a level, even surface.

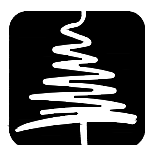
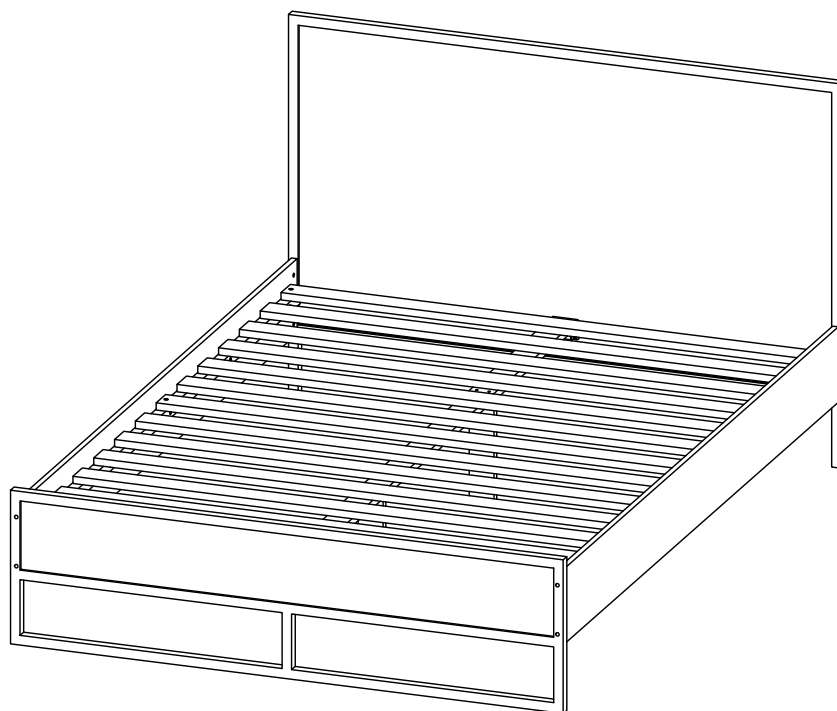
### **CARE & MAINTENANCE:**

Periodically check all screws & fixings to ensure they are secure.

DO NOT push this product as this will cause damage.

Always lift this product with two people to repositions.

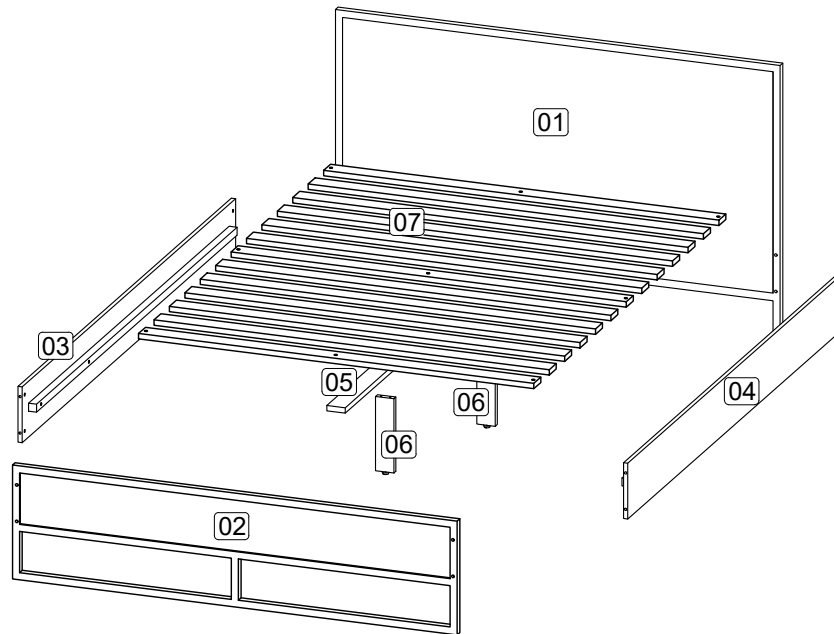
Keep any sharp objects away from this product.



**Birlea**

Suppliers of inspiration

[www.birlea.com](http://www.birlea.com)

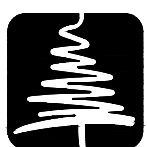
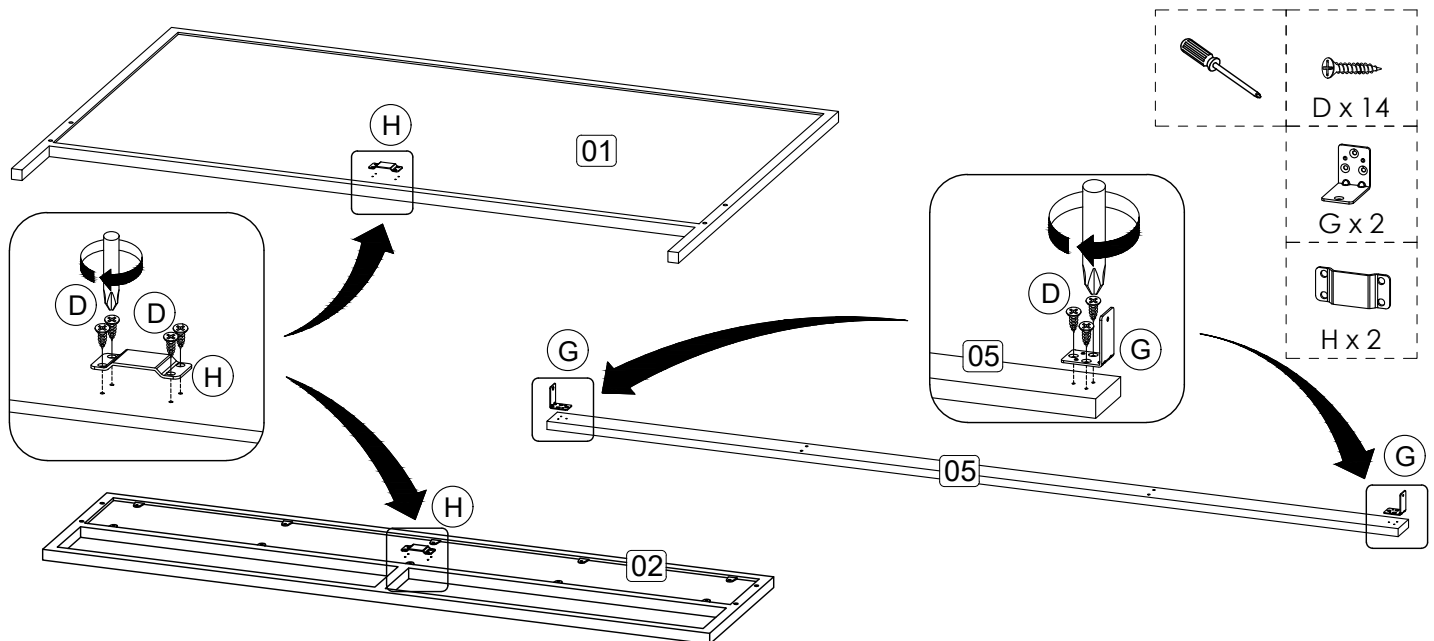


Parts List				Hardware List ( BOX 2 )			
Part	Description	Box	Qty	Part	Description		Qty
01	Headboard panel	1	1	A	JCBC Screw M6 x 60mm		8
02	Footboard panel	1	1	B	JRN Nut		8
03	Bed side rail ( Left )	2	1	C	Allen key M4		1
04	Bed side rail ( Right )	2	1	D	M3.5 x 16mm C.B Screw		16
05	Center rail	2	1	E	M4 x 38mm C.B Screw		9
06	Support legs	2	2	F	M6 x 50mm CSK Cap Wood screw		4
07	Bed slat	2	1 Set	G	Bracket L		2
				H	Bracket U		2

**\*\* You will need a screwdriver for assembly.**

**Step 1:** Prepare these parts for assembly using hardware parts D, G and H.

**DO NOT use any power tools as this may damage the frame and will invalidate any claim.**



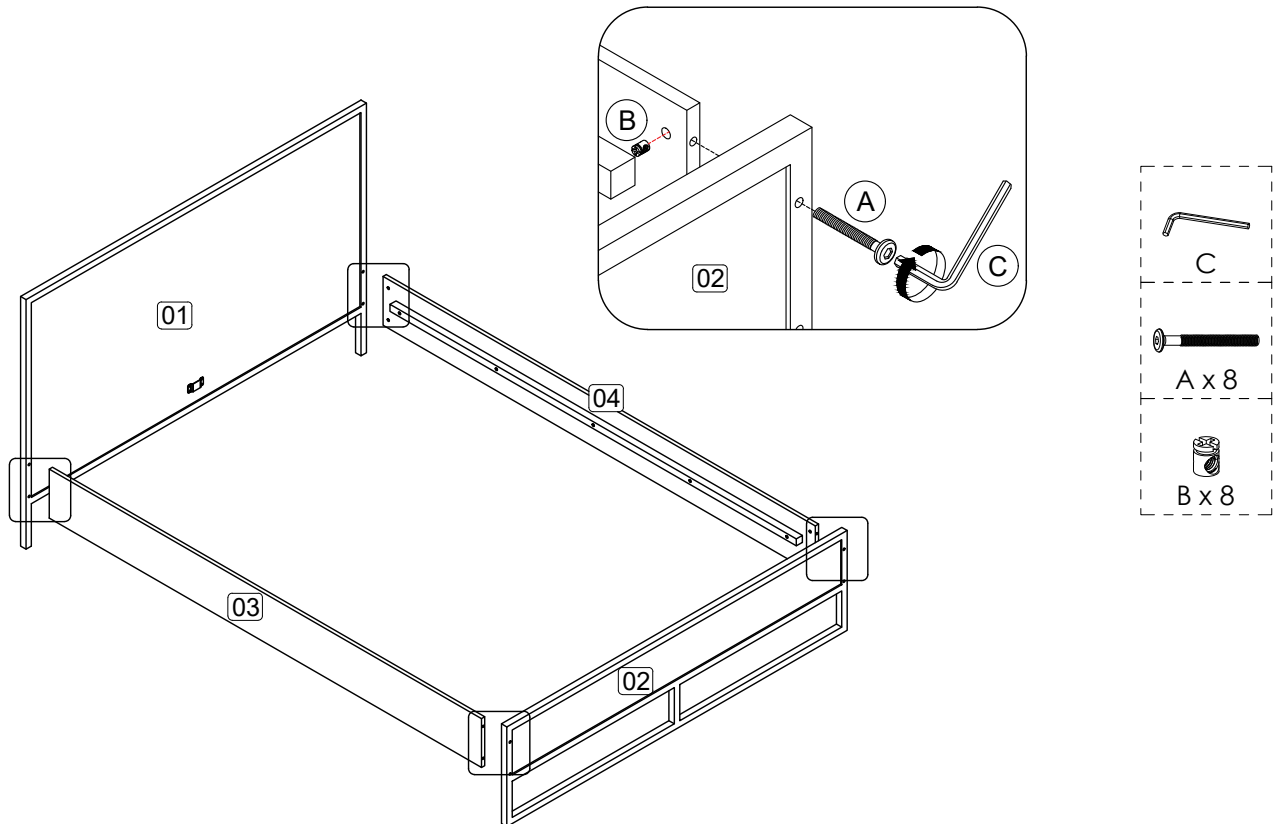
**Birlea**

Suppliers of inspiration

**Step 2:** Fix bed side rail (3) and (4) to headboard panel (1) and footboard panel (2) using hardware part A, B and C.

Please note that do not fully tighten the hardware A before assembling the center rail (5).

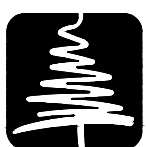
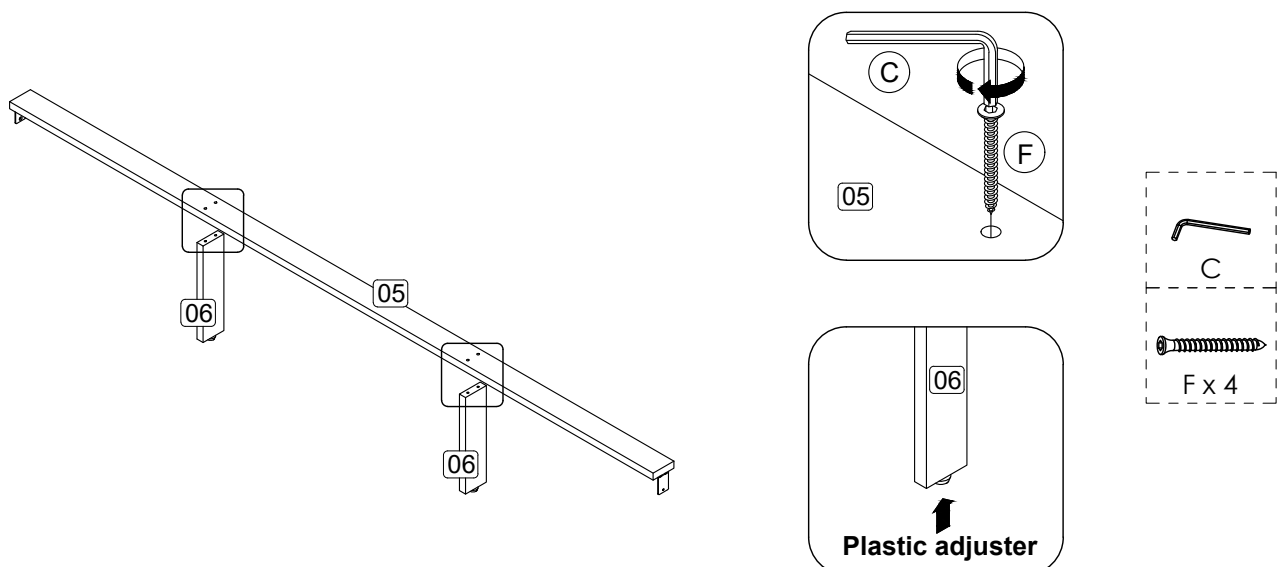
**DO NOT use any power tools as this may damage the frame and will invalidate any claim.**



**Step 3:** Attach center rail (5) to support legs (6) using hardware C and F.

Please note that support legs (6) has a plastic adjuster at the bottom to unscrew and adjust the height of center rail (5) if necessary.

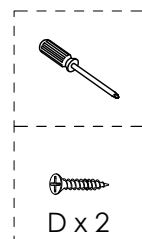
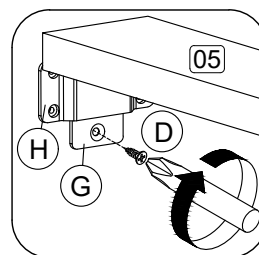
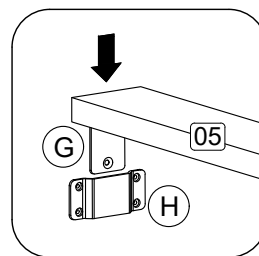
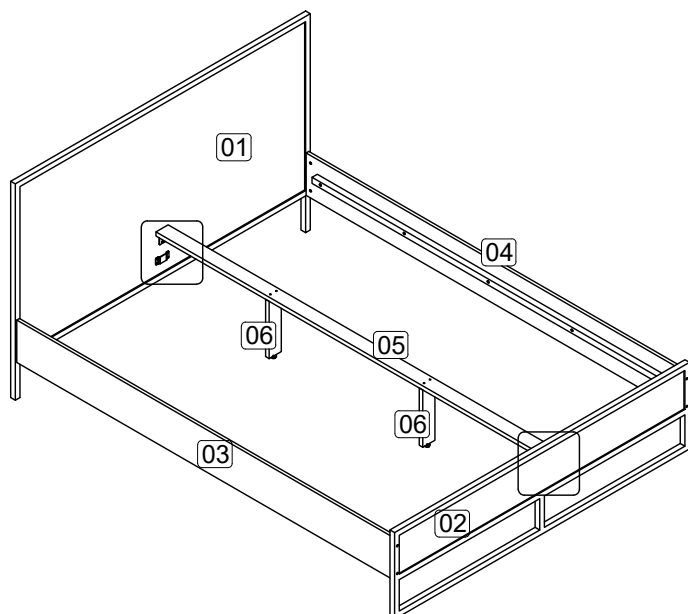
**DO NOT use any power tools as this may damage the frame and will invalidate any claim.**



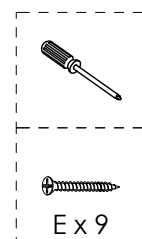
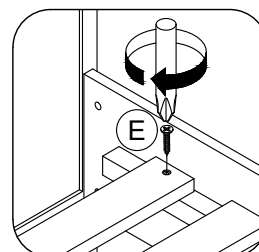
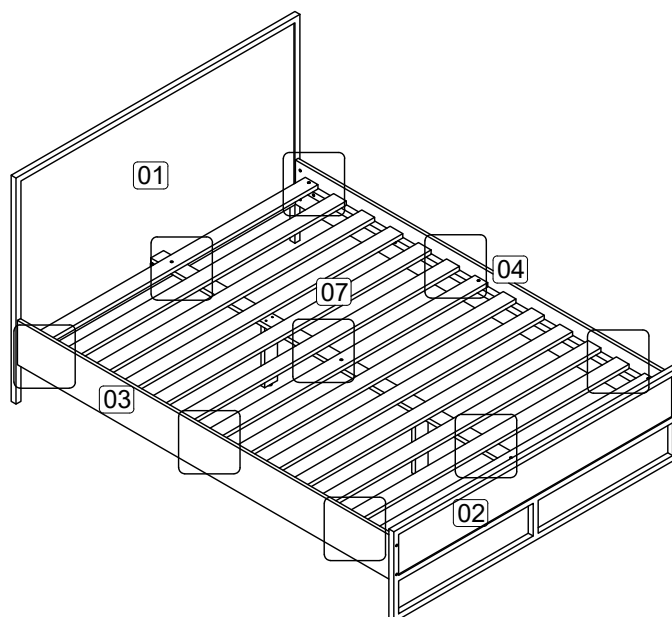
**Birlea**

Suppliers of inspiration

**Step 4:** Insert hardware G on the center rail (5) into hardware H on the headboard panel (1) and footboard panel (2) using hardware D with a screwdriver (not provided).  
**DO NOT use any power tools as this may damage the frame and will invalidate any claim.**

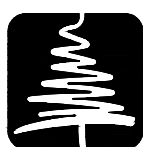


**Step 5:** Attach bed slat (7) to bed side rail (3), (4) and center rail (5) using hardware E with a screwdriver (not provided).  
**DO NOT use any power tools as this may damage the frame and will invalidate any claim.**



### Additional Information:

- For complete product information, images and dimension diagrams please visit the website [www.birlea.com](http://www.birlea.com)
- If you have any issues with your item please contact the retailer directly you purchased it from who will be able to resolve any issues with Birlea.
- Why don't you send us photos of your assembled furniture to [info@birlea.com](mailto:info@birlea.com) to be shared in our #birleahome feature on instagram.



# Birlea

Suppliers of inspiration