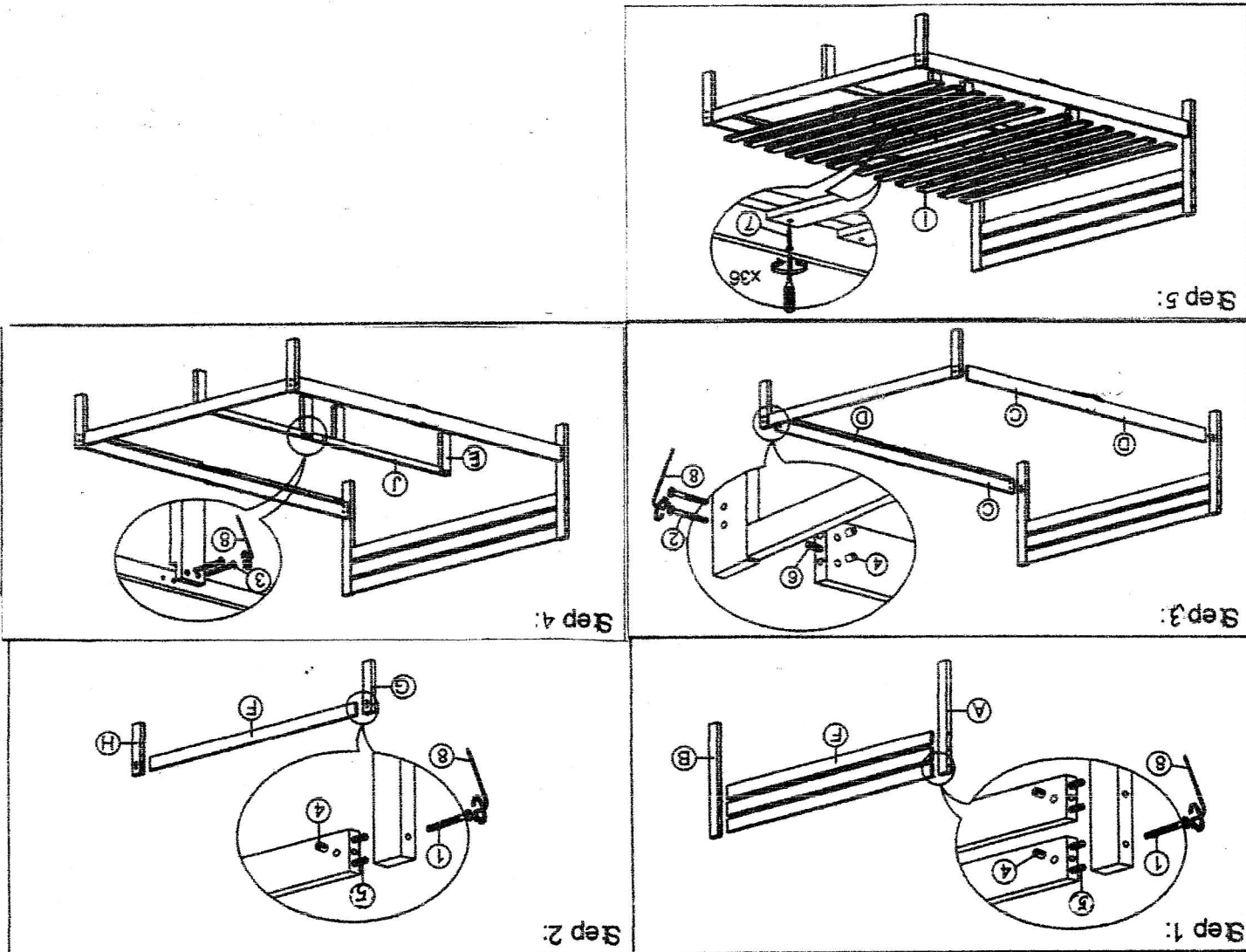


# MODEL : NEW ECO DOUBLE ASSEMBLY INSTRUCTIONS

ITEM	DESCRIPTION	QTY.
1	JCBC NB X 100MM	8 PCS
2	JCBC SCREW NB X 70MM	8 PCS
3	JCBC NB X 25MM	8 PCS
4	BARREL NUT NB X 15MM	16 PCS
5	WOOD DOWEL NB X 30MM	16 PCS
6	WOOD DOWEL M10 X 30MM	4 PCS
7	CSK SCREW NB X 25MM	36 PCS
8	M4 L KEY	1 PC

ITEM	DESCRIPTION	QTY.
A	HEADBOARD POST (LEFT SIDE)	1 PC
B	HEAD BOARD POST (RIGHT SIDE)	1 PC
C	SIDE RAIL (LEFT SIDE)	2 PCS
D	SIDE RAIL (RIGHT SIDE)	2 PCS
E	CENTER RAIL SUPPORT	4 PCS
F	HEADBOARD FOOTBOARD RAIL	4 PCS
G	FOOTBOARD POST (LEFT SIDE)	1 PC
H	FOOTBOARD POST (RIGHT SIDE)	1 PC
I	BED SLATS	2 SETS
J	CENTER RAIL	2 PCS
K	CENTER RAIL SUPPORT	4 PCS



## IMPORTANT NOTE :

\* This page lists all the contents included in the box. Please take time to identify the hardware as well as the individual components to this product. As you unpack and prepare for assembly, place the contents on a carpeted or padded area to protect them from damage.

- \* Place all wooden parts on a clean and smooth surface such as a ring or carpet to avoid the parts from being scratched.
- \* Check to be sure that you have all parts and hardware.
- \* Remove all wrapping materials, including staples & packing straps before you start to assemble.
- \* Do not tighten all screws bolts until all completely assembled.
- \* Keep all hardware parts out of reach of children.

## CLEANING & CARE :

Treat surface with care. Surface is resistant to scratches but is not scratch resistant. Clean surface with dry or damp soft cloth. Do not use abrasive cleaners. Hardware may loosen over time. Periodically check that all connections are tight.