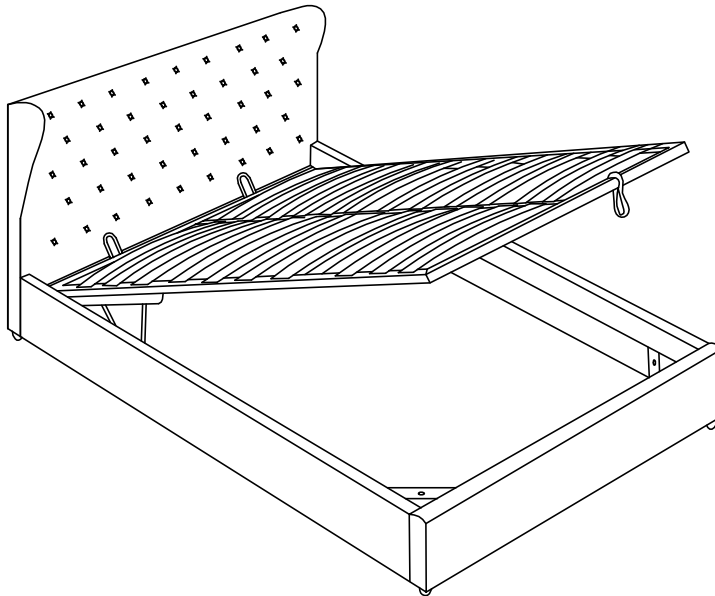


**PLEASE ENSURE THE  
MATTRESS IS IN PLACE  
BEFORE USING THIS  
MECHANISM**

# Holway Bed with Ottoman 4ft6

## Assembly Instructions



### IMPORTANT

#### PLEASE READ BEFORE YOU CONTINUE FURTHER

THE PRODUCT YOU HAVE PURCHASED WILL GIVE YOU MANY YEARS OF SERVICE IF YOU FOLLOW THE GUIDELINES FOR ITS SAFE ASSEMBLY AND PERIODIC MAINTENANCE AND CLEANING.

ASSEMBLE ON A SOFT CLEAN SURFACE.

DO NOT USE ANY TOOLS OTHER THAN THOSE SHOWN.

ANY SPANNERS OR ALLEN KEYS REQUIRED ARE INCLUDED WITH THE FITTINGS KIT.

DO NOT FOR ANY REASON USE A POWER TOOL TO ASSEMBLE THIS PRODUCT. ITS USE WILL INVALIDATE ANY CLAIM YOU MAY HAVE AND COULD MAKE THIS PRODUCT UNSAFE.

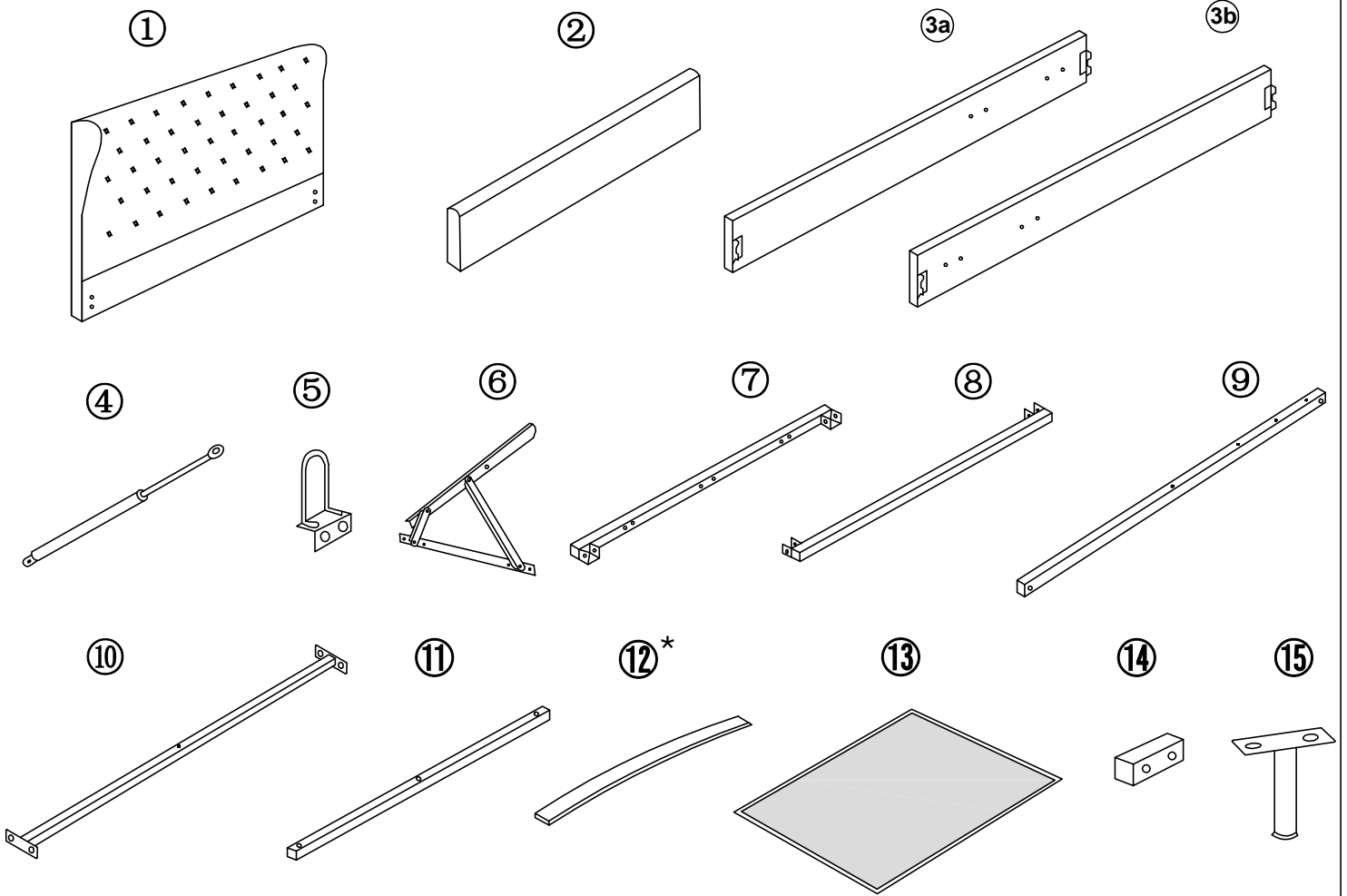
DEPENDING ON THE AMOUNT OF USE THIS PRODUCT RECEIVES IT MAY BE NECESSARY TO TIGHTEN UP THE FIXINGS FROM TIME TO TIME. THIS IS COMPLETELY NORMAL FOR ANY FLAT PACK FURNITURE. DO NOT OVERTIGHTEN FIXINGS.

FOR CLEANING YOU MAY USE A DAMP CLOTH ( NOT WET ) . DO NOT USE POLISH, DETERGENT OR CHEMICAL CLEANERS.

THIS PRODUCT MAY STAIN OR MARK IF ALLOWED TO COME INTO CONTACT WITH WET OR DAMP OBJECTS AS MATERIALS USED HAVE NOT BEEN SCOTCH GUARDED .

THE SURFACE OF THIS ITEM IS NOT HEAT RESISTANT . ALWAYS USE A PLACE MAT UNDER HOT OR COLD ITEMS TO PREVENT MARKING.

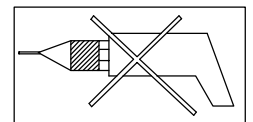
# PARTS LIST



PLEASE CHECK THAT YOU HAVE ALL THE PARTS LISTED BEFORE YOU START ASSEMBLING. IF YOU DO FIND THAT SOMETHING IS MISSING, DO NOT CONTINUE ASSEMBLY. PLEASE CONTACT YOUR SUPPLIER IMMEDIATELY.

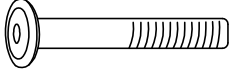
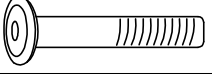
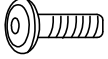
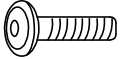
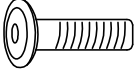

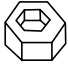
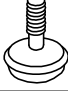

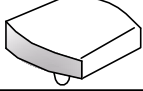
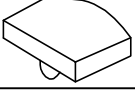
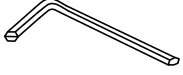
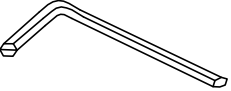

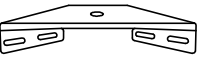

Box 1			Box 2		
Part	Description	Qty	Part	Description	Qty
1	Headboard	1	3a	Siderail Left	1
2	Footboard	1	3b	Siderail Right	1
12	Wooden Slats	26	4	Cylinder	2
13	Velcro Base Sheet	1	5	Mattress Support	2
			6	Gas Lift	2
			7	Base Front Bar	1
			8	Base Back Bar	1
			9	Base Side Bar	2
			10	Base Centre Bar	1
			11	Across Bar	1
			14	Base Support Bar	1
			15	Centre Leg Support	2

USE OF POWER TOOLS TO ASSEMBLE THIS PRODUCT WILL INVALIDATE ANY CLAIM AND DAMAGE THIS PRODUCT MAKING IT UNSAFE.

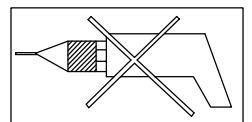


PLEASE CHECK THAT YOU HAVE ALL THE PARTS LISTED BEFORE YOU START ASSEMBLING. IF YOU DO FIND THAT SOMETHING IS MISSING, DO NOT CONTINUE ASSEMBLY. PLEASE CONTACT YOUR SUPPLIER IMMEDIATELY.

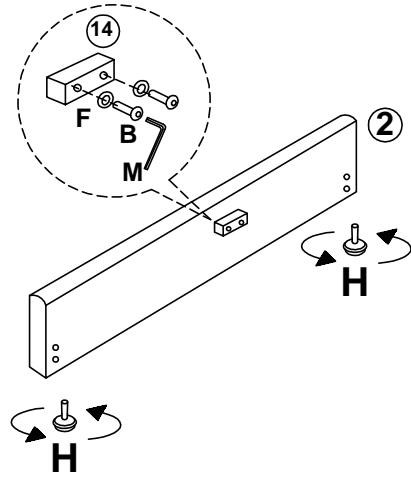
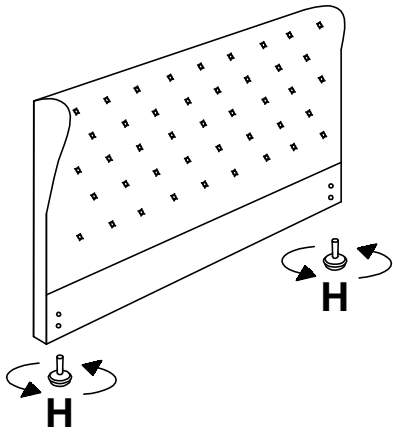
## HARDWARE LIST (LOCATED WITHIN BOX 2)

Part	Diagram	Description	Qty
A		5/16 x 60mm Bolt	3
B		5/16 x 45mm Bolt	10
C		1/4 x 15mm Bolt	16
D		1/4 x 20mm Bolt	14
E		5/16 x 25mm Bolt	8
F		M8 Washer	28
G		Zinc Nut	15
H		Adjustable Feet	4
I		Base Lift Strap	1
J		Plastic Centre Cap	13
K		Plastic End Cap	26
L		M6 Allen Key	1
M		M8 Allen Key	1
N		Spanner	1
O		Corner Bracket	2
P		100 x 25mm EVA Pad	4

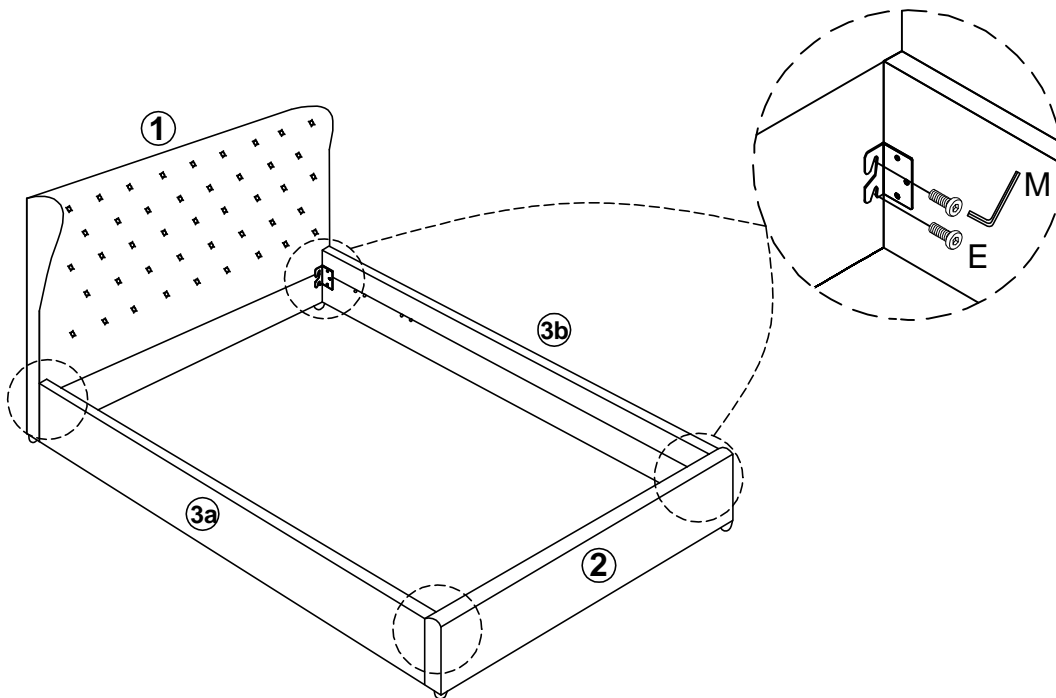
THE USE OF POWER TOOLS TO ASSEMBLE THIS PRODUCT WILL INVALIDATE ANY CLAIM AND MAY DAMAGE THIS PRODUCT MAKING IT UNSAFE



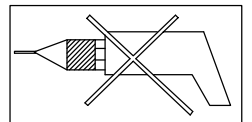
Step 1  B x 2pcs  F x 2pcs  H x 4pcs



Step 2  E x 8pcs

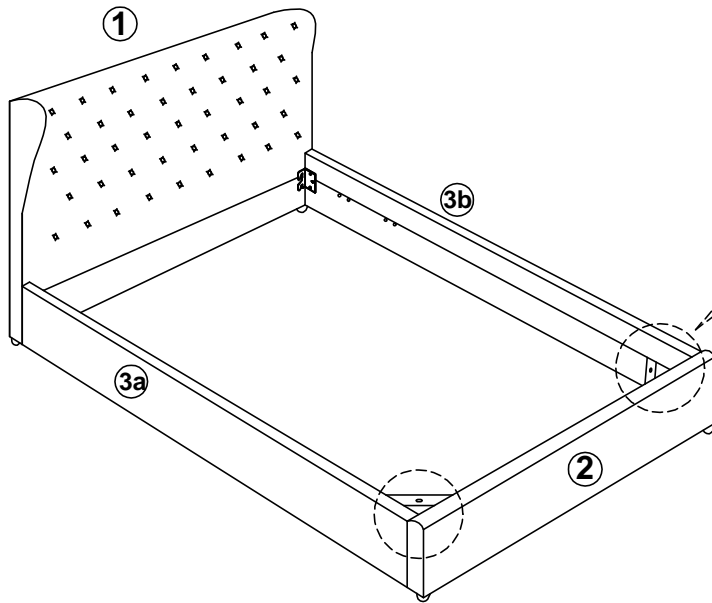


THE USE OF POWER TOOLS TO ASSEMBLE THIS PRODUCT WILL INVALIDATE ANY CLAIM AND MAY DAMAGE THIS PRODUCT MAKING IT UNSAFE

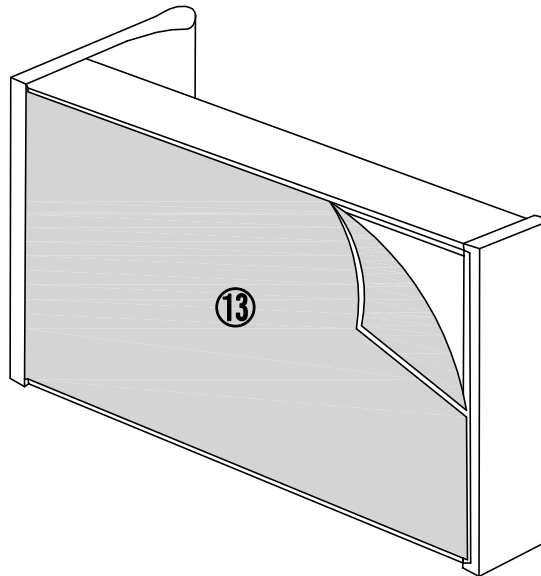


### Step 3

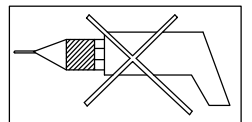
 C x 8pcs



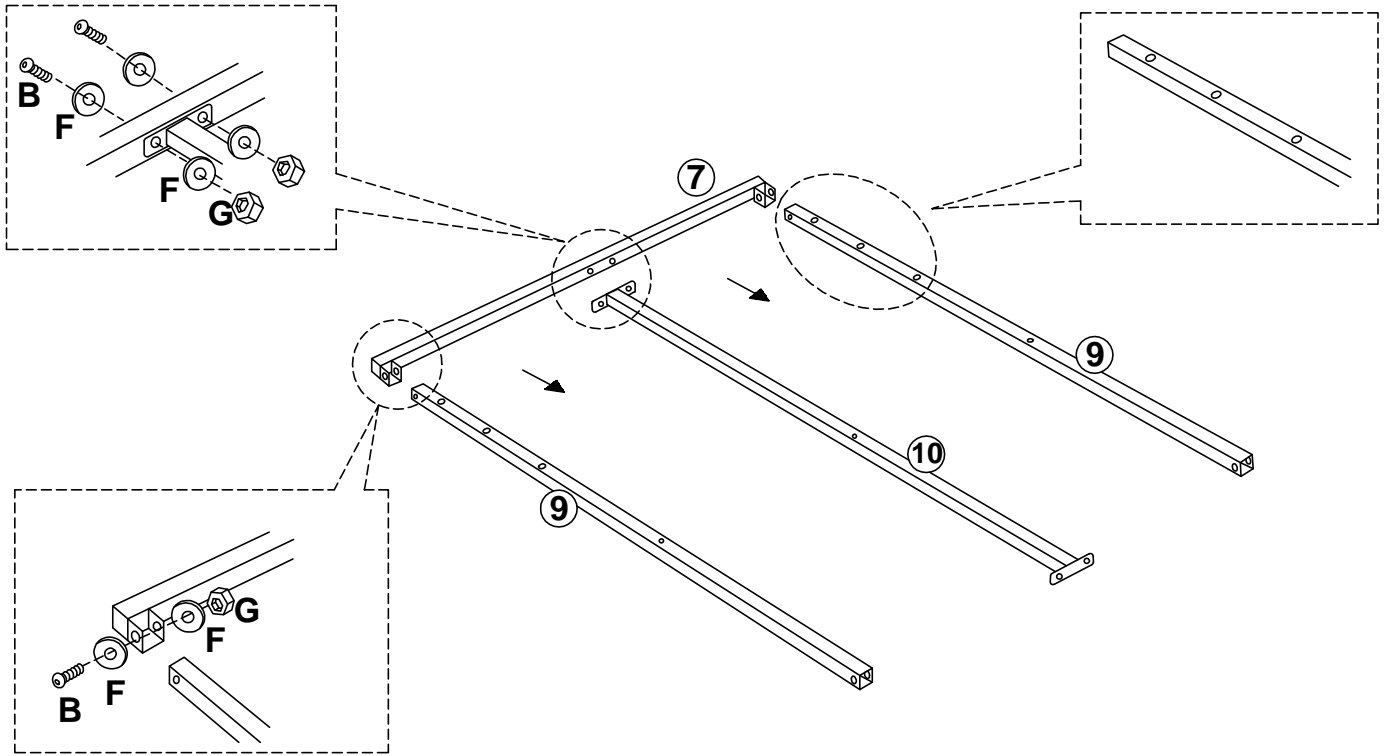
### Step 4



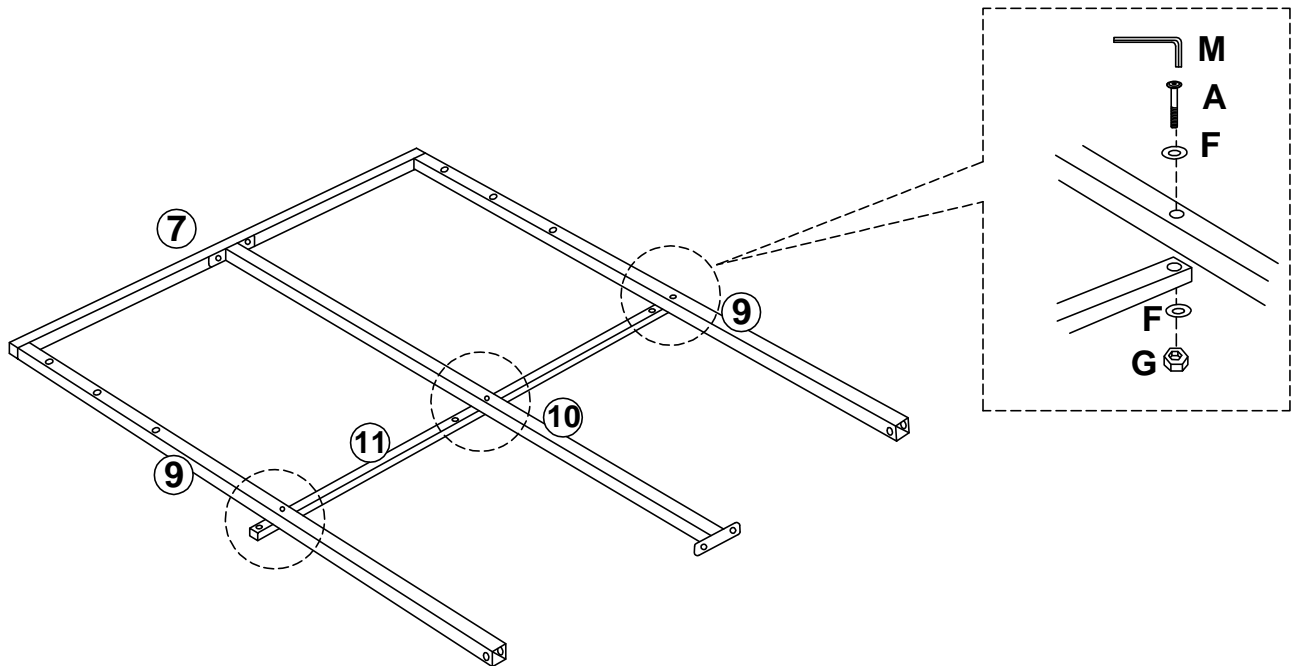
THE USE OF POWER TOOLS TO ASSEMBLE THIS PRODUCT WILL INVALIDATE ANY CLAIM AND MAY DAMAGE THIS PRODUCT MAKING IT UNSAFE



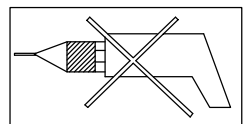
Step 5  B x 4pcs  F x 8pcs  G x 4pcs



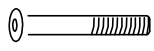
Step 6  A x 3pcs  F x 6pcs  G x 3pcs



THE USE OF POWER TOOLS TO ASSEMBLE THIS PRODUCT WILL INVALIDATE ANY CLAIM AND MAY DAMAGE THIS PRODUCT MAKING IT UNSAFE



Step 7



B x 4pcs



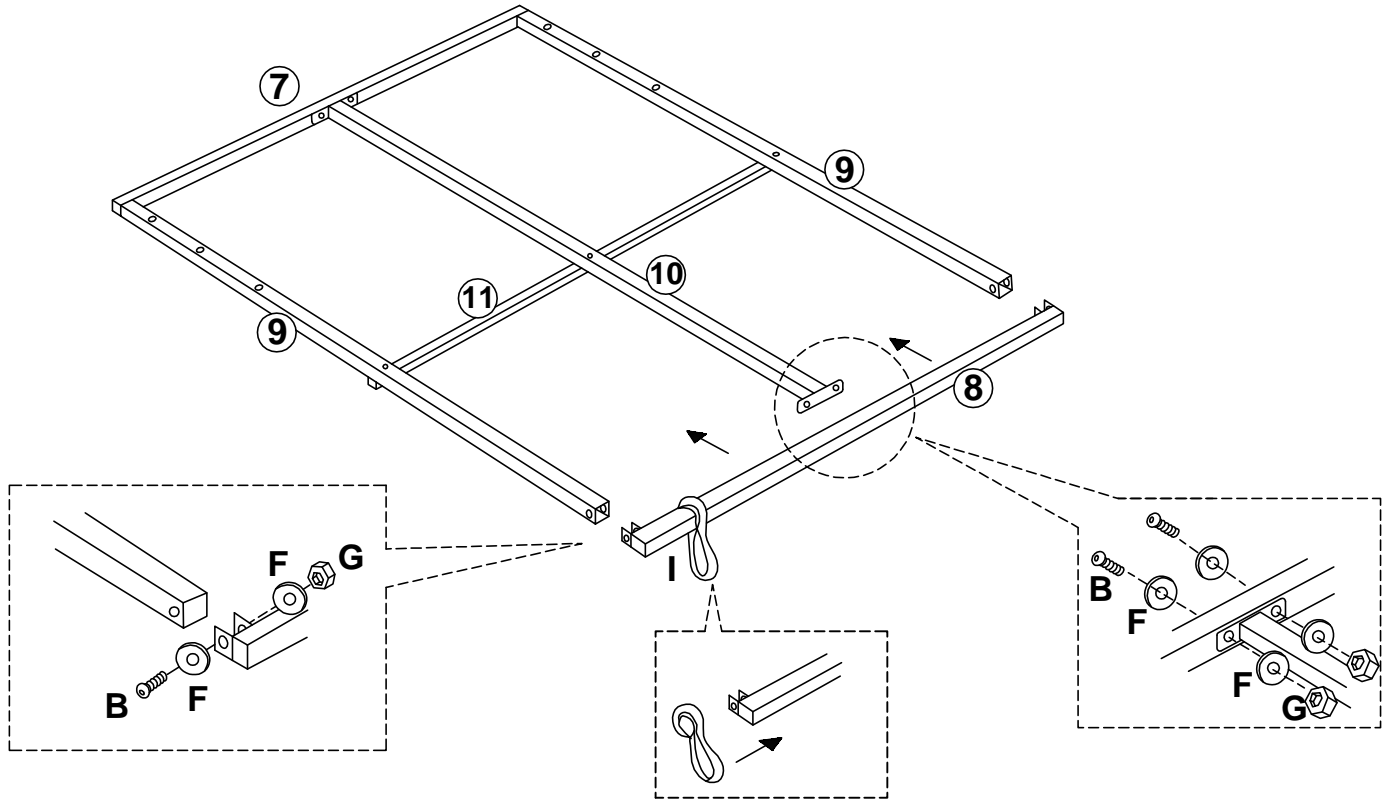
G x 4pcs



F x 8pcs



I x 1pcs



Step 8



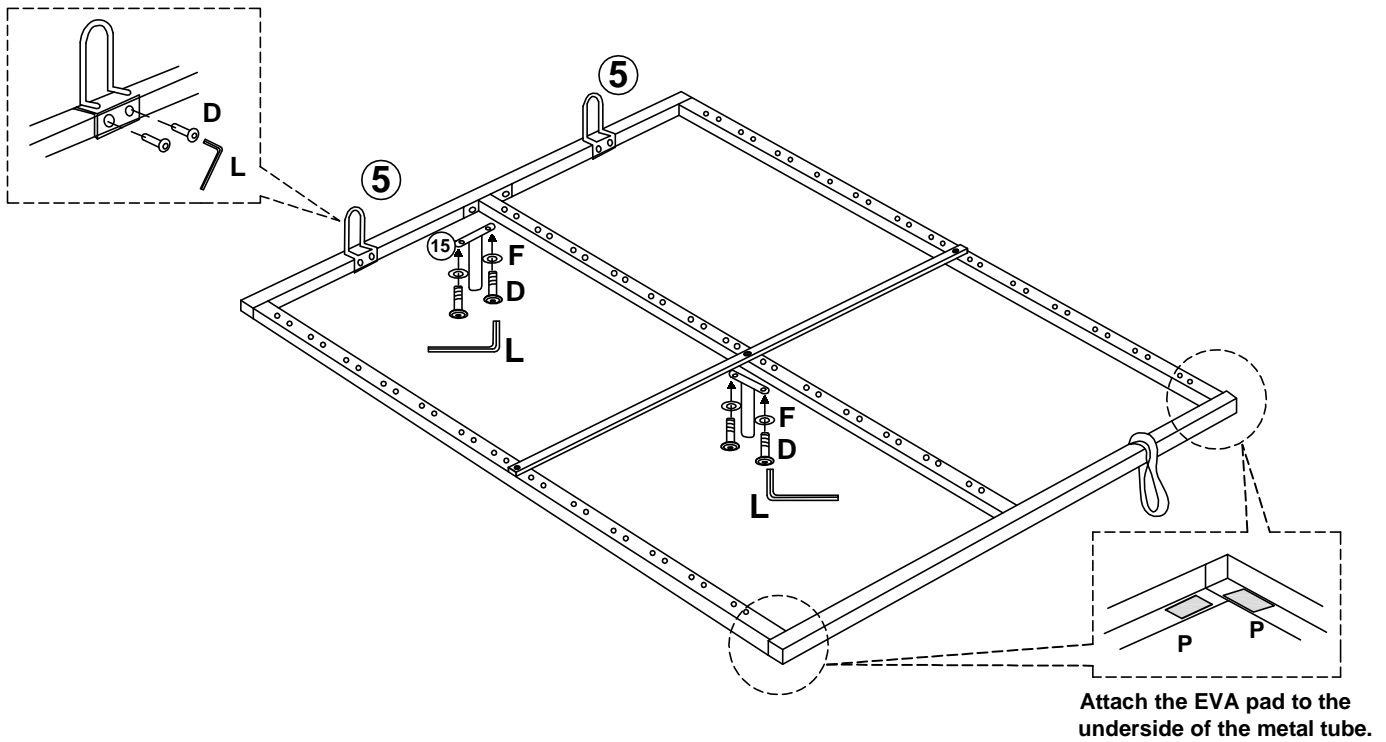
D x 8pcs



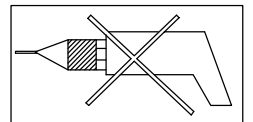
F x 4pcs



P x 4pcs

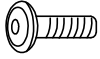


THE USE OF POWER TOOLS TO ASSEMBLE THIS PRODUCT WILL INVALIDATE ANY CLAIM AND MAY DAMAGE THIS PRODUCT MAKING IT UNSAFE





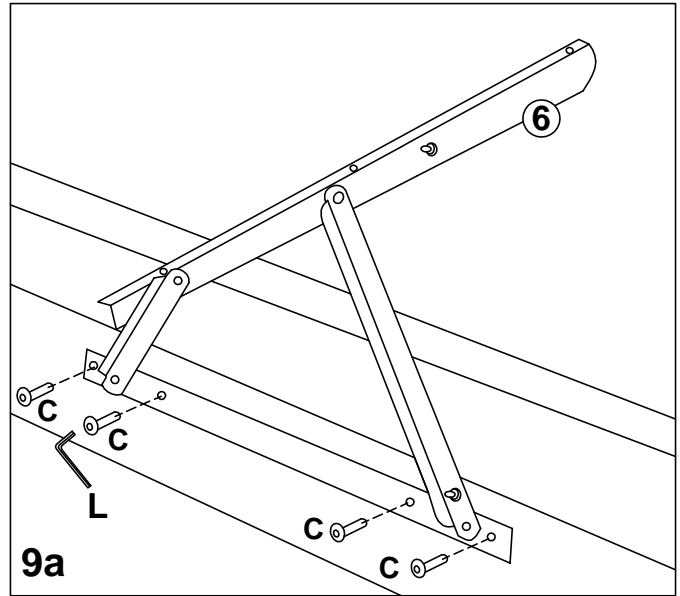
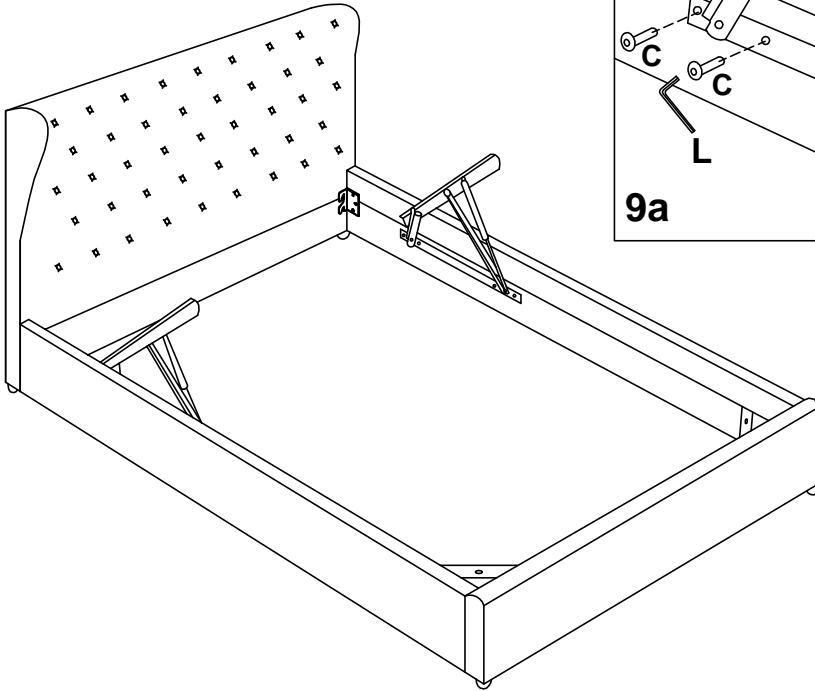
Step 9



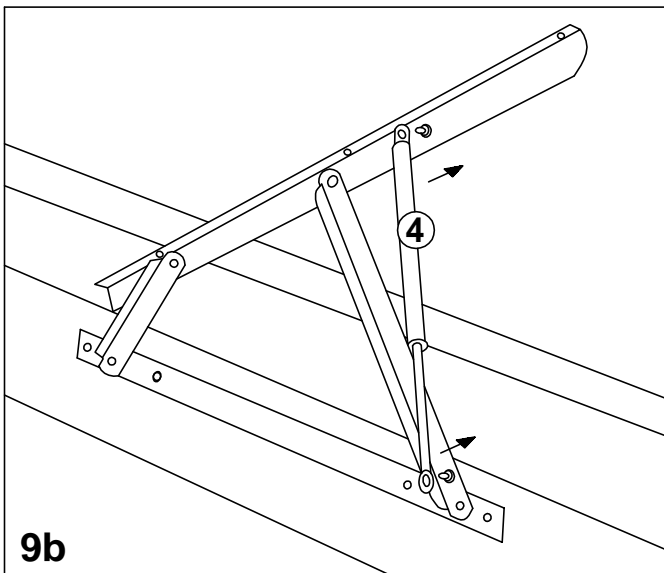
C x 8pcs



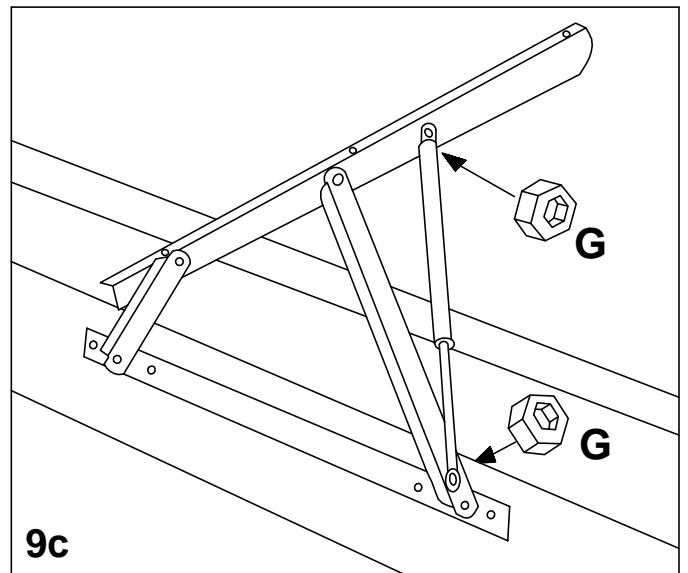
G x 4pcs



9a

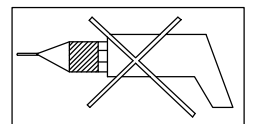


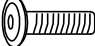
9b

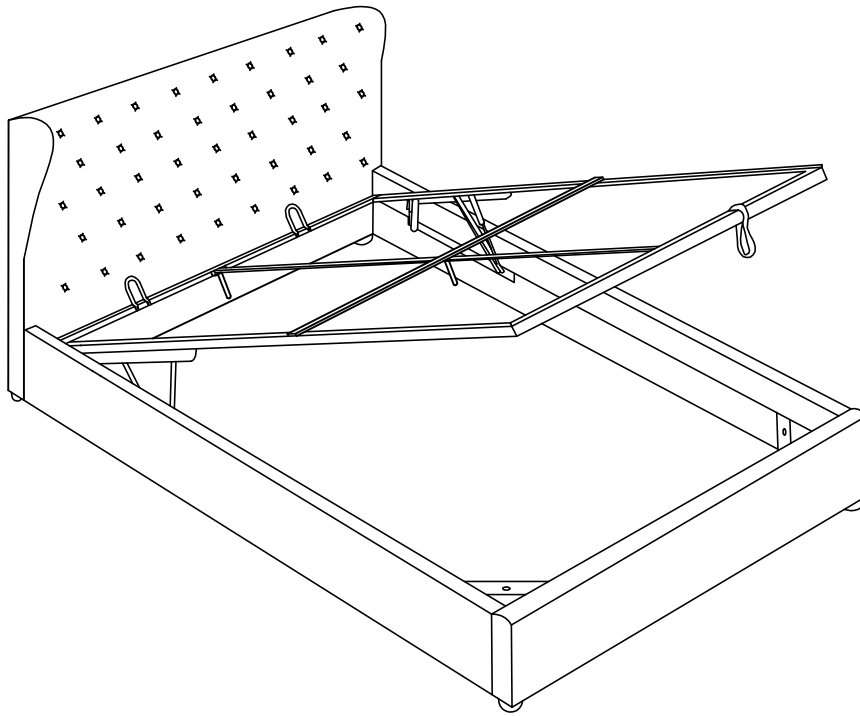
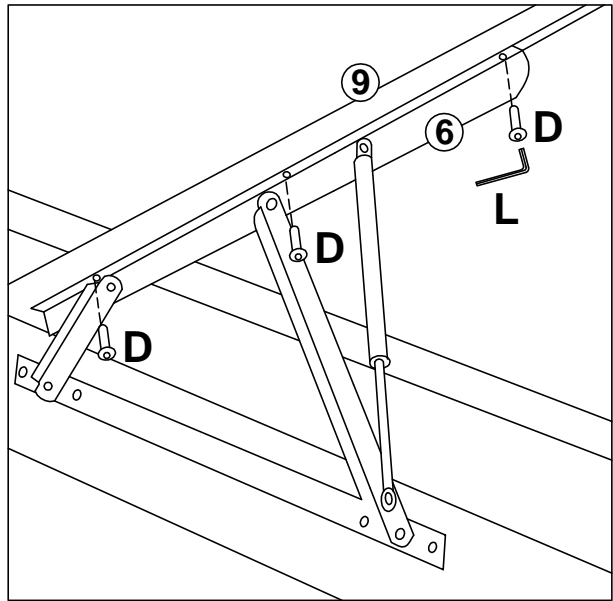


9c

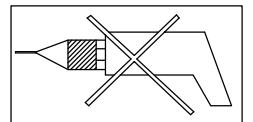
THE USE OF POWER TOOLS TO ASSEMBLE THIS PRODUCT WILL INVALIDATE ANY CLAIM AND MAY DAMAGE THIS PRODUCT MAKING IT UNSAFE



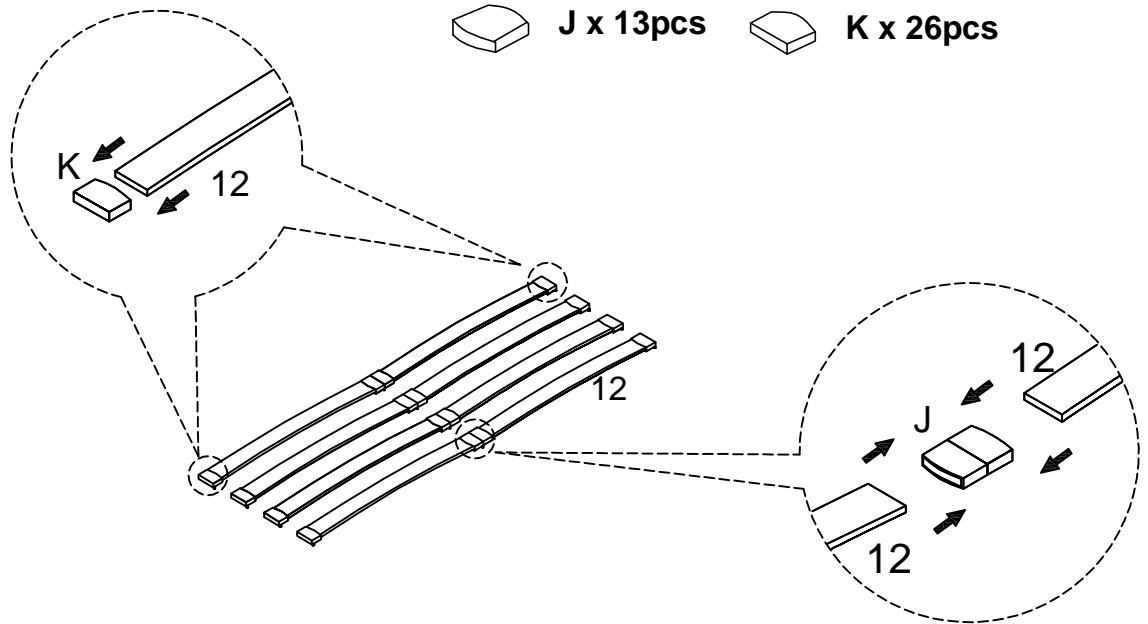
Step 10  D x 6pcs



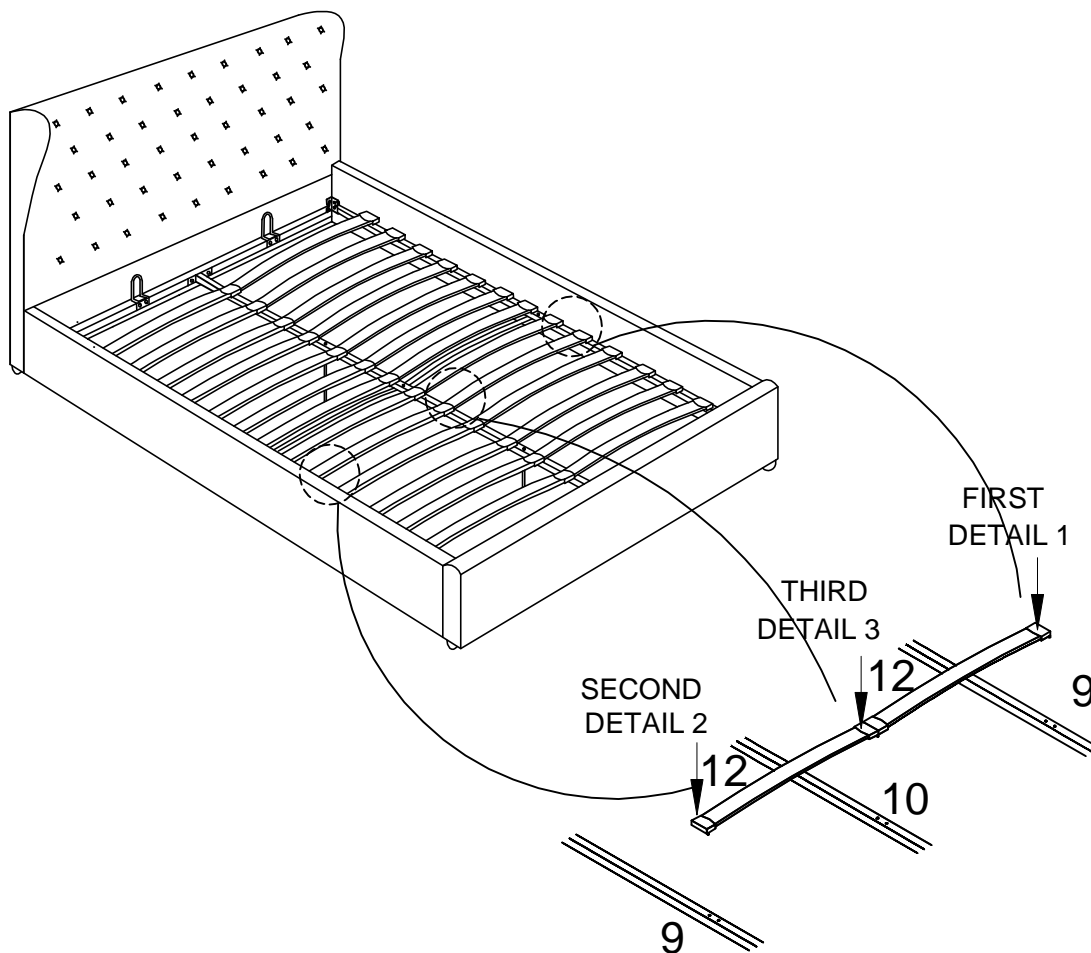
THE USE OF POWER TOOLS TO ASSEMBLE THIS PRODUCT WILL INVALIDATE ANY CLAIM AND MAY DAMAGE THIS PRODUCT MAKING IT UNSAFE



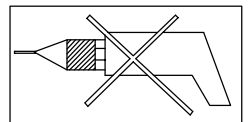
## Step 11



## Step 12



THE USE OF POWER TOOLS TO ASSEMBLE THIS PRODUCT WILL INVALIDATE ANY CLAIM AND MAY DAMAGE THIS PRODUCT MAKING IT UNSAFE



**PLEASE ENSURE THE  
MATTRESS IS IN PLACE  
BEFORE USING THIS  
MECHANISM**