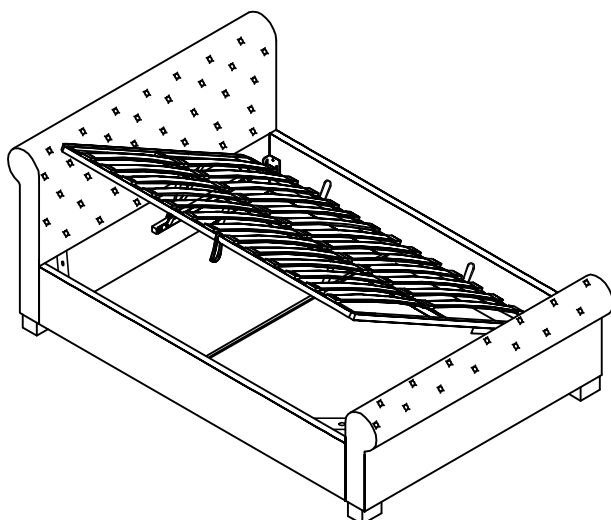
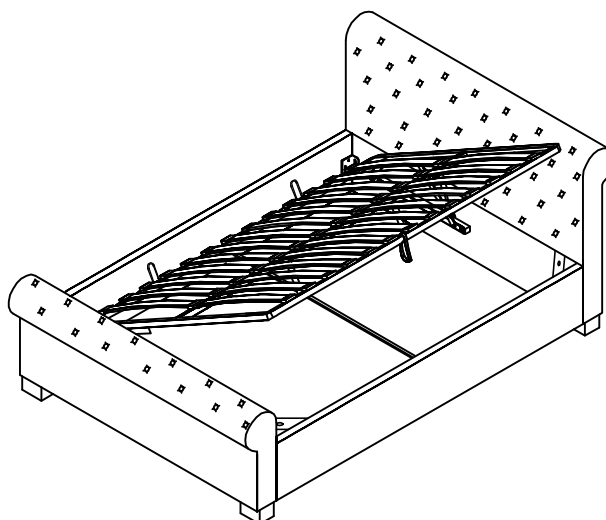


**PLEASE ENSURE THE  
MATTRESS IS IN PLACE  
BEFORE USING THIS  
MECHANISM**

# Withford 4ft6 Side Opening Bed Assembly Instructions



OR



## IMPORTANT

### PLEASE READ BEFORE YOU CONTINUE FURTHER

THE PRODUCT YOU HAVE PURCHASED WILL GIVE YOU MANY YEARS OF SERVICE IF YOU FOLLOW THE GUIDELINES FOR ITS SAFE ASSEMBLY AND PERIODIC MAINTENANCE AND CLEANING.

ASSEMBLE ON A SOFT CLEAN SURFACE.

DO NOT USE ANY TOOLS OTHER THAN THOSE SHOWN.

ANY SPANNERS OR ALLEN KEYS REQUIRED ARE INCLUDED WITH THE FITTINGS KIT.

DO NOT FOR ANY REASON USE A POWER TOOL TO ASSEMBLE THIS PRODUCT. ITS USE WILL INVALIDATE ANY CLAIM YOU MAY HAVE AND COULD MAKE THIS PRODUCT UNSAFE.

DEPENDING ON THE AMOUNT OF USE THIS PRODUCT RECEIVES IT MAY BE NECESSARY TO TIGHTEN UP THE FIXINGS FROM TIME TO TIME. THIS IS COMPLETELY NORMAL FOR ANY FLAT PACK FURNITURE. DO NOT OVERTIGHTEN FIXINGS.

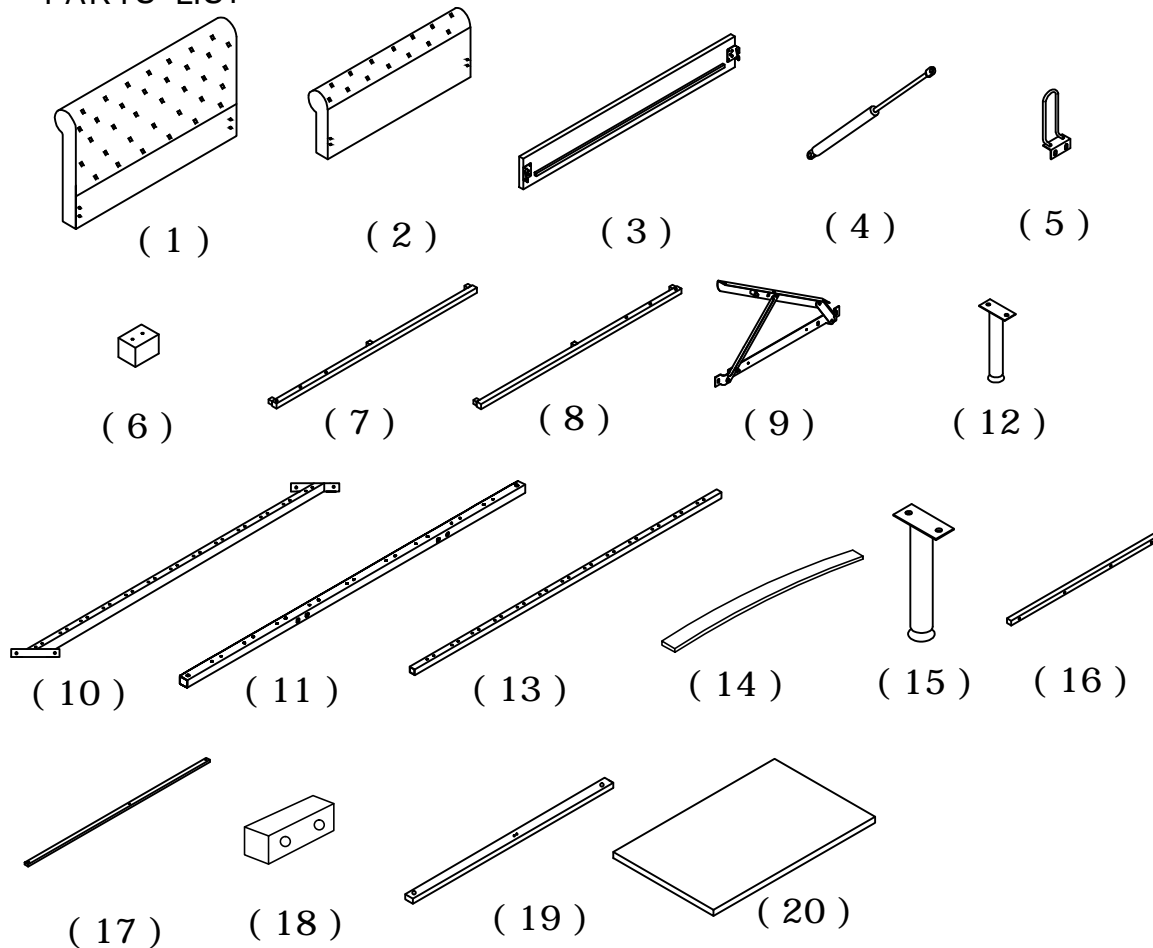
FOR CLEANING YOU MAY USE A DAMP CLOTH ( NOT WET ) . DO NOT USE POLISH, DETERGENT OR CHEMICAL CLEANERS.

THIS PRODUCT MAY STAIN OR MARK IF ALLOWED TO COME INTO CONTACT WITH WET OR DAMP OBJECTS AS MATERIALS USED HAVE NOT BEEN SCOTCH GUARDED .

THE SURFACE OF THIS ITEM IS NOT HEAT RESISTANT . ALWAYS USE A PLACE MAT UNDER HOT OR COLD ITEMS TO PREVENT MARKING.

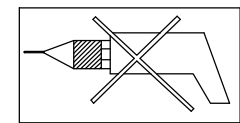
PLEASE CHECK THAT YOU HAVE ALL THE PARTS LISTED BEFORE YOU START ASSEMBLING.  
 IF YOU DO FIND THAT SOMETHING IS MISSING, DO NOT CONTINUE ASSEMBLY.  
 PLEASE CONTACT YOUR SUPPLIER IMMEDIATELY.

PARTS LIST

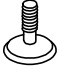


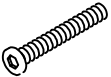

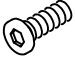

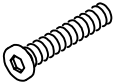

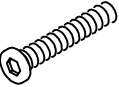

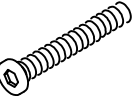


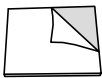

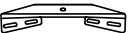


1	HEADBOARD	1 PC
2	FOOTBOARD	1 PC
3	SIDE RAIL LEFT & RIGHT PANEL	2 PCS
4	GAS CYLINDER	2 PCS
5	MATTRESS SUPPORT	2 PCS
6	WOODEN FEET	4 PCS
7	FRONT RAIL LEFT	1 PC
8	FRONT RAIL RIGHT	1 PC
9	HINGE LEFT & RIGHT	2 PCS
10	CENTRE RAIL	1 PC
11	SIDE TUBE LEFT	1 PC
12	SHORT SUPPORT LEG	4 PCS
13	SIDE TUBE RIGHT	1 PC
14	WOODEN SLAT	26 PCS
15	LONG SUPPORT LEG	2 PC
16	HEAD & FOOT BOARD HINGE SUPPORT RAIL	2 PCS
17	CROSS RAIL	1 PC
18	BASE SUPPORT BAR	2 PCS
19	BASE BOARD SUPPORT RAIL	4 PCS
20	BASE BOARD	2 PCS

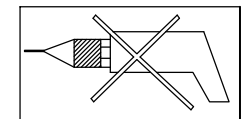
THE USE OF POWER TOOLS TO ASSEMBLE THIS PRODUCT WILL INVALIDATE  
 ANY CLAIM AND MAY DAMAGE THIS PRODUCT MAKING IT UNSAFE



PLEASE CHECK THAT YOU HAVE ALL THE PARTS LISTED BEFORE YOU START ASSEMBLING.  
 IF YOU DO FIND THAT SOMETHING IS MISSING, DO NOT CONTINUE ASSEMBLY.  
 PLEASE CONTACT YOUR SUPPLIER IMMEDIATELY.

HARDWARE LIST				I		ADJUSTABLE FEET	6 pcs
A		1/4 X 20MM ALLEN BOLT	30 pcs	J		BASE LIFT STRAP	1 pc
B		1/4 X 60MM ALLEN BOLT	8 pcs	K		PLASTIC END CAP	26 pcs
C		5/16 X 25MM ALLEN BOLT	16 pcs	L		PLASTIC CENTRE CAP	13 pcs
D		5/16 X 50MM ALLEN BOLT	8 pcs	M		M6 ALLEN KEY	1 pc
E		5/16 X 45MM ALLEN BOLT	7 pcs	N		M8 ALLEN KEY	1 pc
F		5/16 X 60MM ALLEN BOLT	8 pcs	O		SPANWER	1 pc
G		WASHER	62 pcs	P		<b>100 x 25MM EVA PAD</b>	4 pcs
H		ZINC NUT	19 pcs	Q		<b>CORNER BRACKET</b>	2 pcs

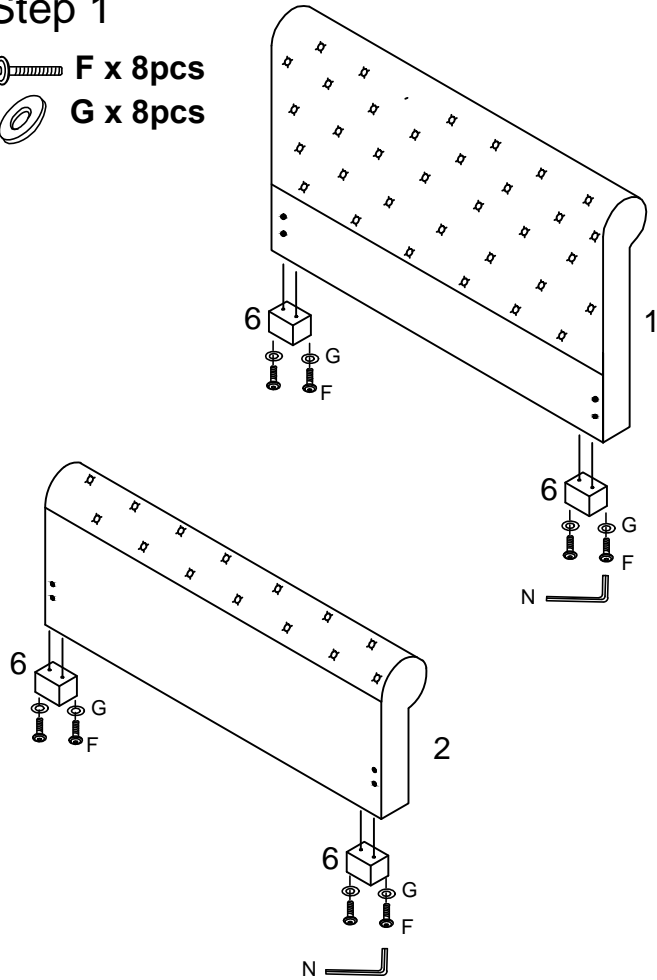
THE USE OF POWER TOOLS TO ASSEMBLE THIS PRODUCT WILL INVALIDATE  
 ANY CLAIM AND MAY DAMAGE THIS PRODUCT MAKING IT UNSAFE



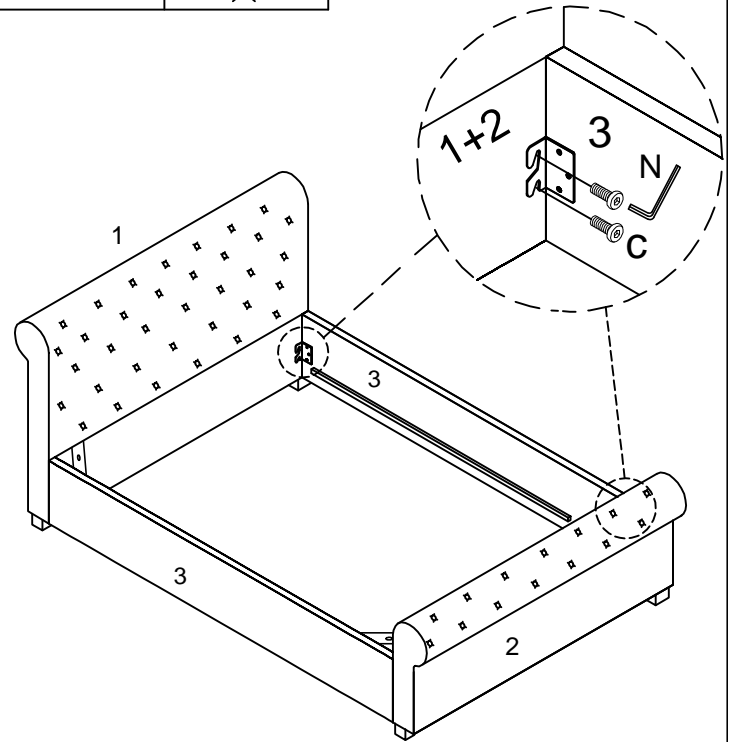
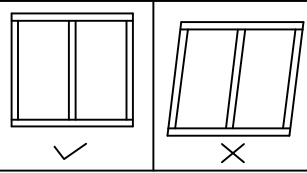
### Step 1

 **F x 8pcs**

 **G x 8pcs**



### Step 2 **C x 8pcs**

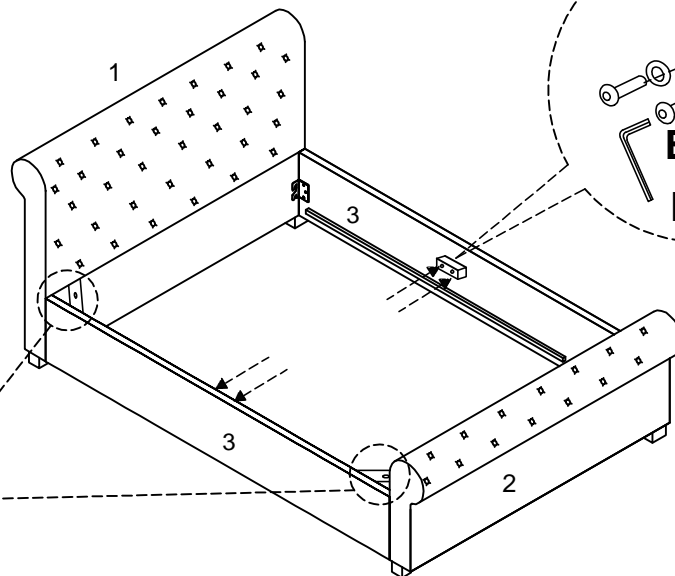
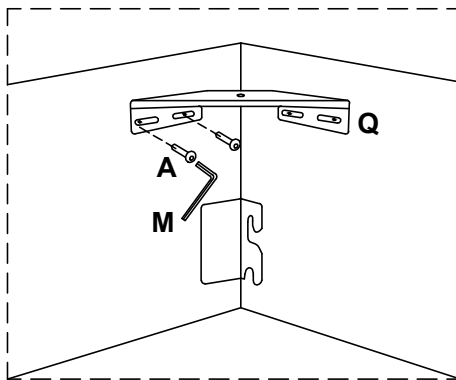


### Step 3

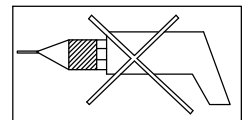
 **A x 8pcs**

 **G x 4pcs**



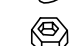

 **E x 4pcs**

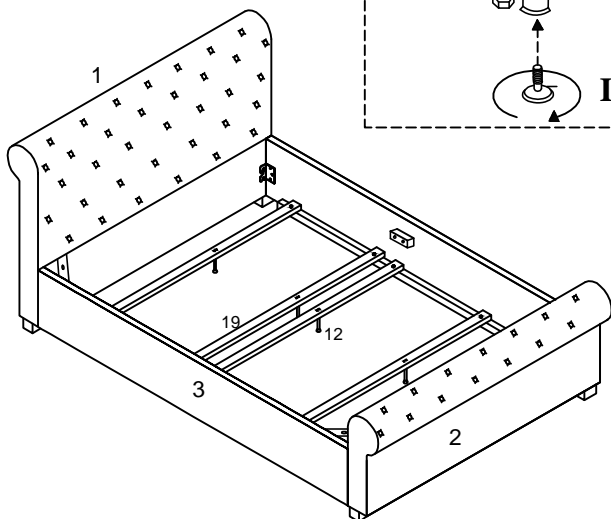
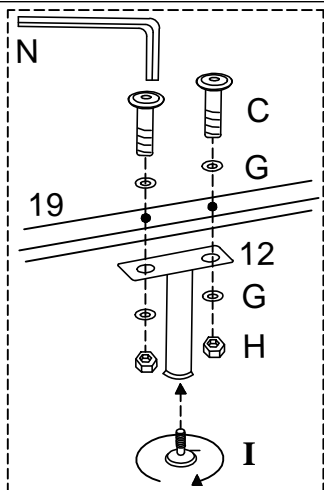


THE USE OF POWER TOOLS TO ASSEMBLE THIS PRODUCT WILL INVALIDATE ANY CLAIM AND MAY DAMAGE THIS PRODUCT MAKING IT UNSAFE





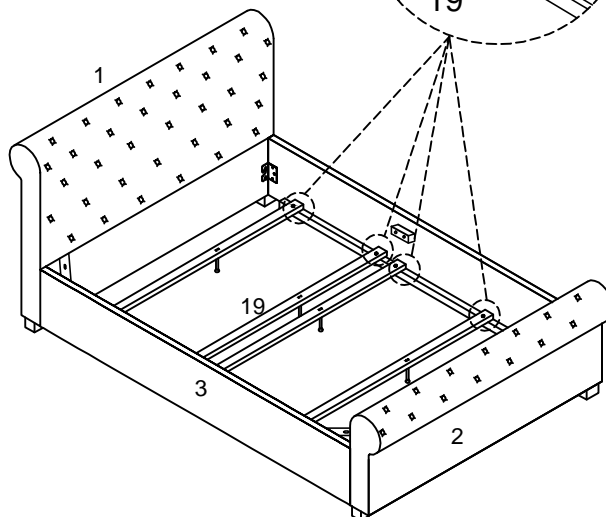
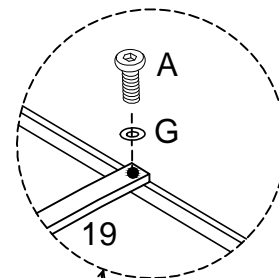
### Step 4

-  C x 8 pcs
-  G x 16 pcs
-  H x 8 pcs
-  I x 4 pcs



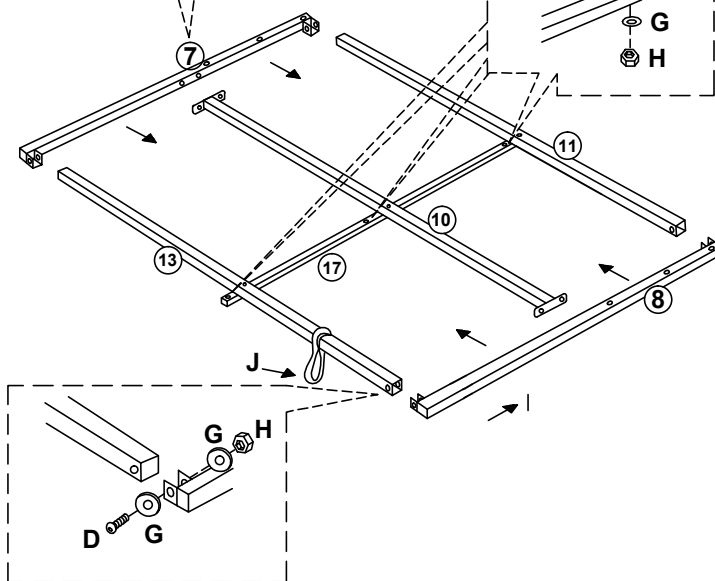
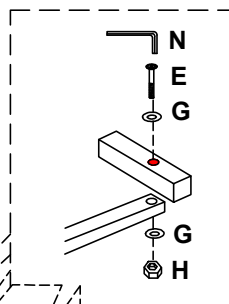
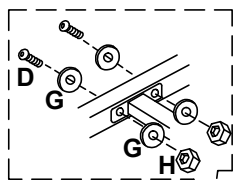
### Step 5

-  A x 8 pcs
-  G x 8 pcs

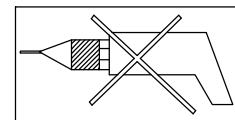


### Step 6




-  D x 8 pcs
-  H x 11 pcs
-  E x 3 pcs
-  G x 22 pcs



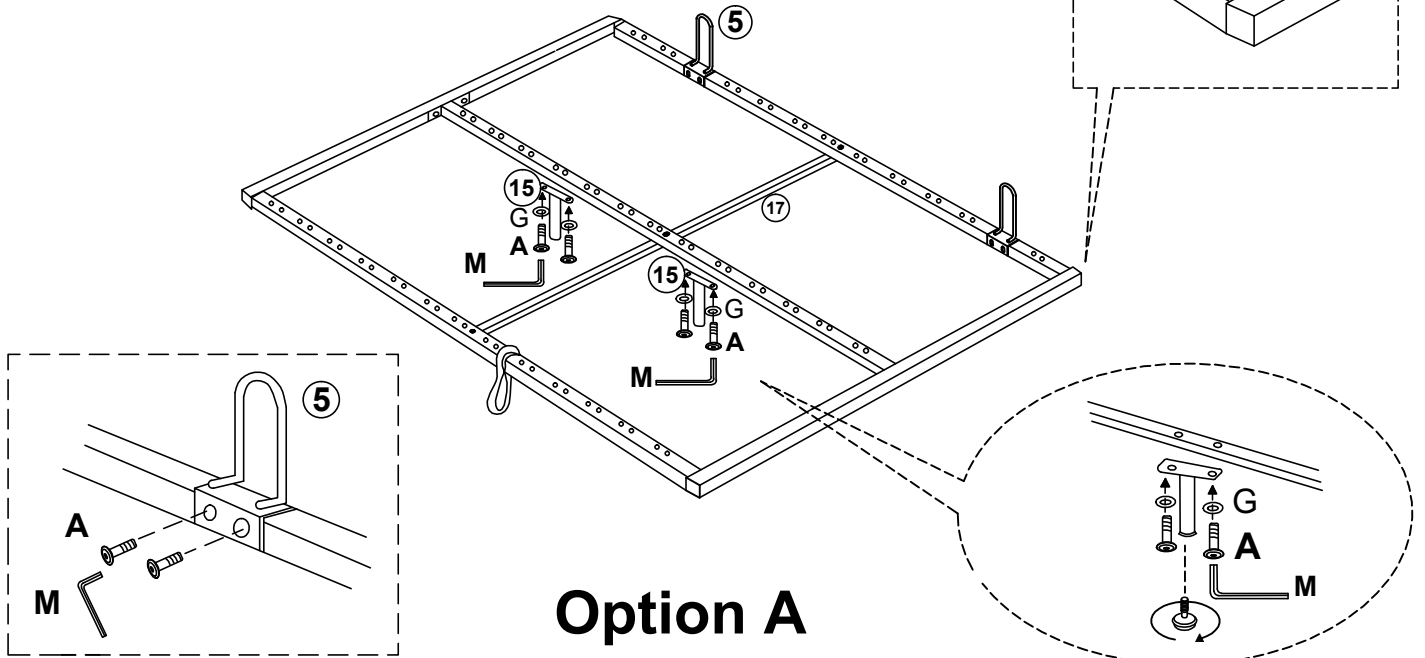
THE USE OF POWER TOOLS TO ASSEMBLE THIS PRODUCT WILL INVALIDATE ANY CLAIM AND MAY DAMAGE THIS PRODUCT MAKING IT UNSAFE



## Step 7



-  A x 8pcs
-  G x 4pcs
-  I x 2pcs

ATTACH THE EVA PAD TO THE UNDERSIDE OF THE METAL TUBE



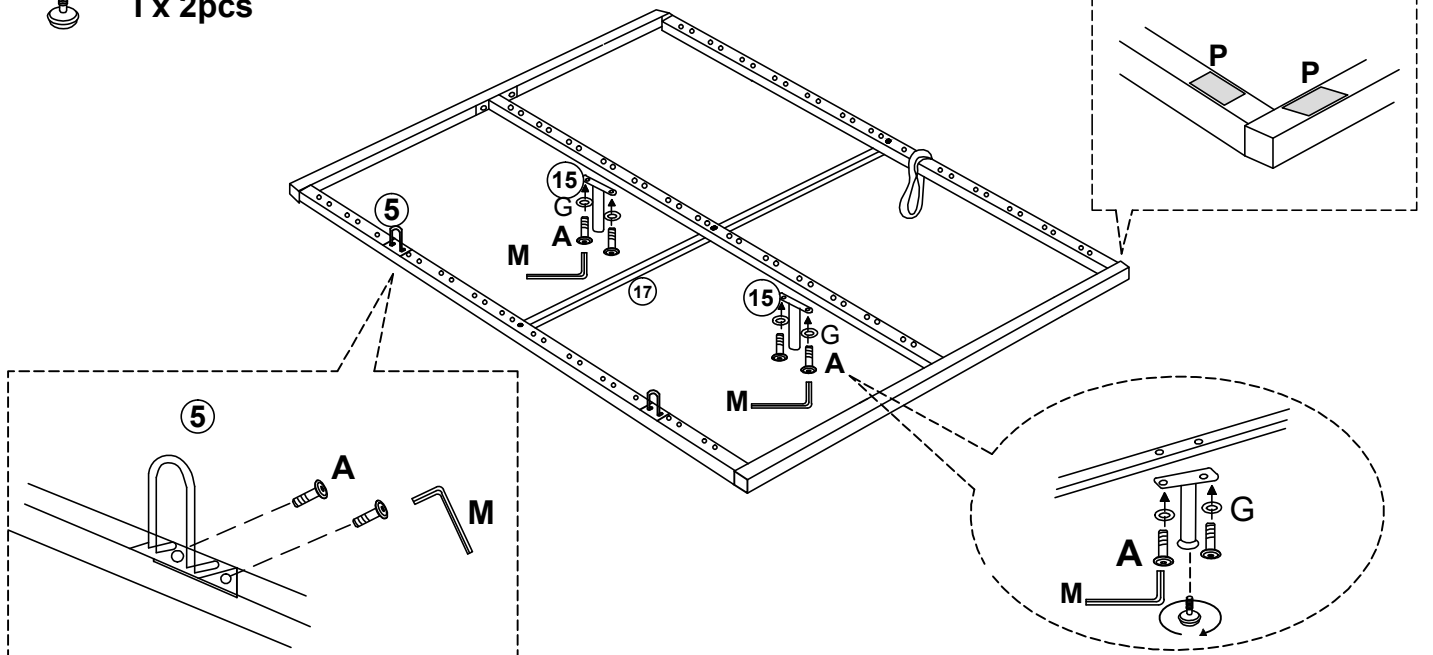
## Option A

## Step 8

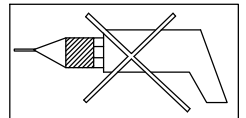
-  A x 8pcs
-  I x 2pcs

## Option B

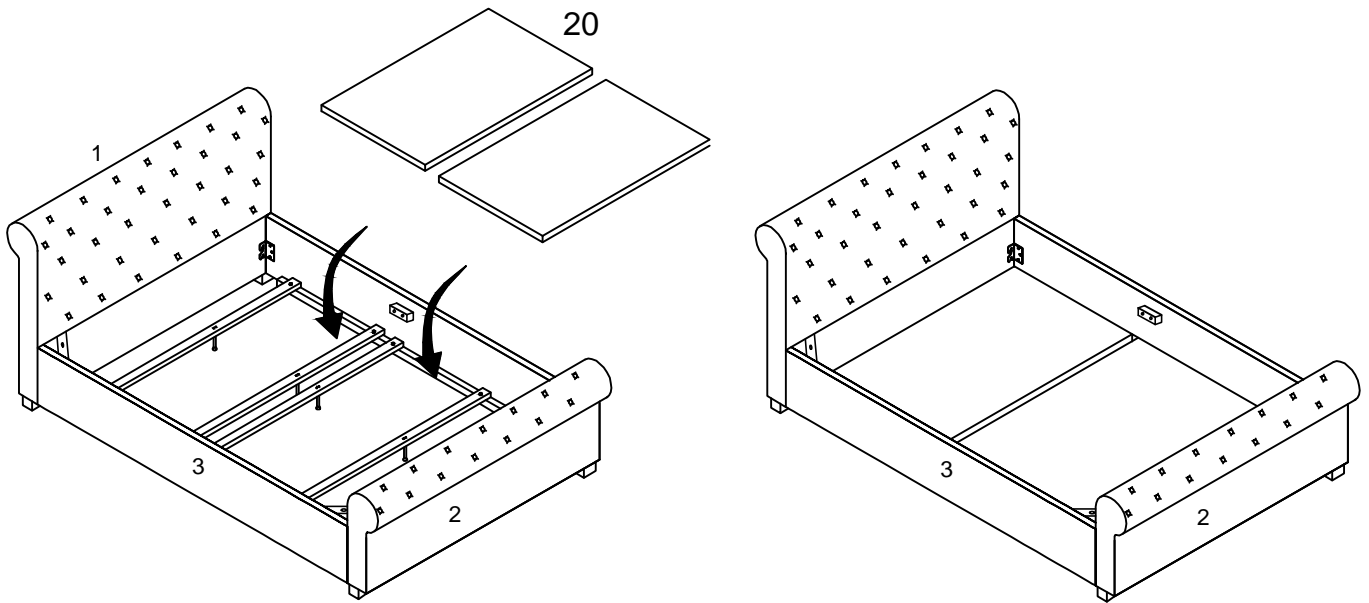
ATTACH THE EVA PAD TO THE UNDERSIDE OF THE METAL TUBE



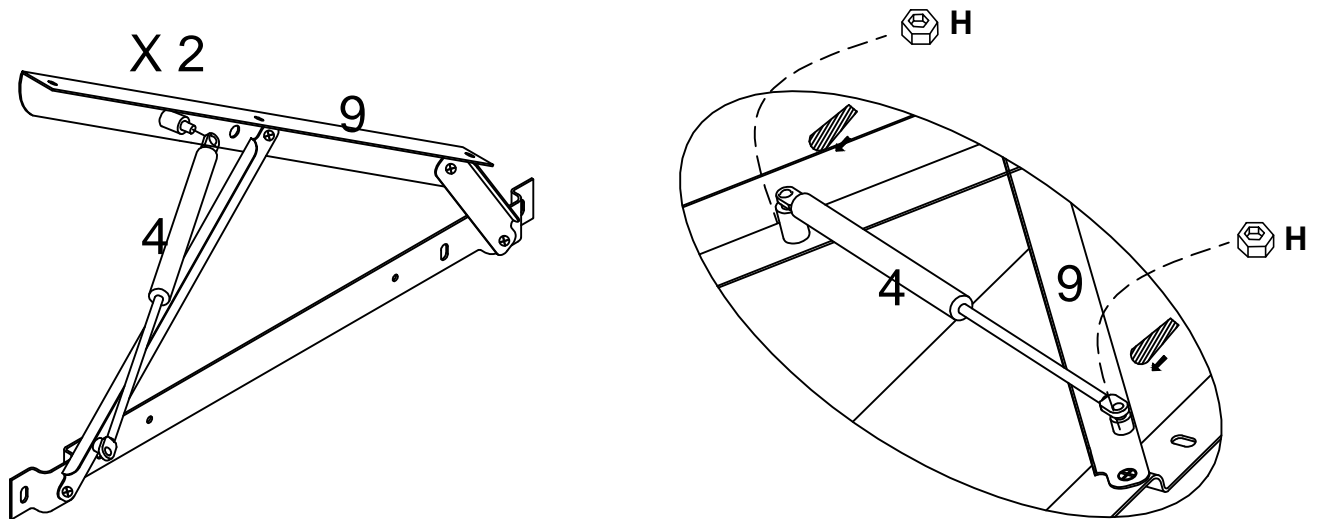
THE USE OF POWER TOOLS TO ASSEMBLE THIS PRODUCT WILL INVALIDATE ANY CLAIM AND MAY DAMAGE THIS PRODUCT MAKING IT UNSAFE



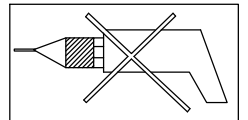
## Step 9



## Step 10 H x 4pcs



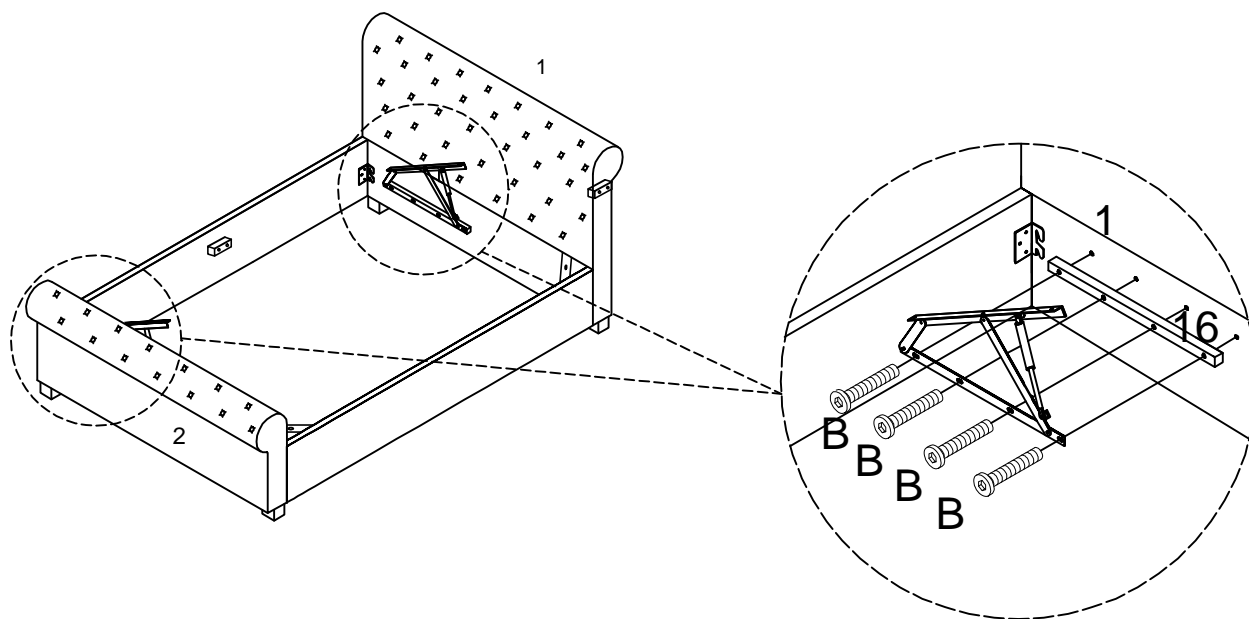
THE USE OF POWER TOOLS TO ASSEMBLE THIS PRODUCT WILL INVALIDATE ANY CLAIM AND MAY DAMAGE THIS PRODUCT MAKING IT UNSAFE



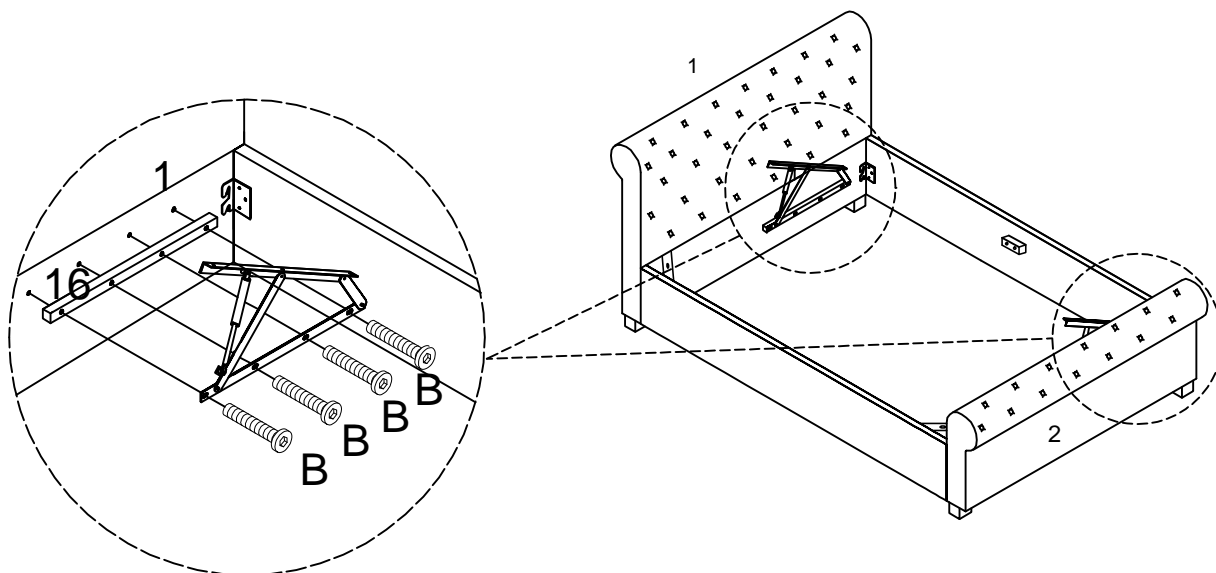


Step 11  B x 8pcs

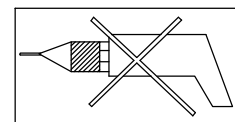
RIGHT HAND SIDE OPENING.



OR LEFT HAND SIDE OPENING.

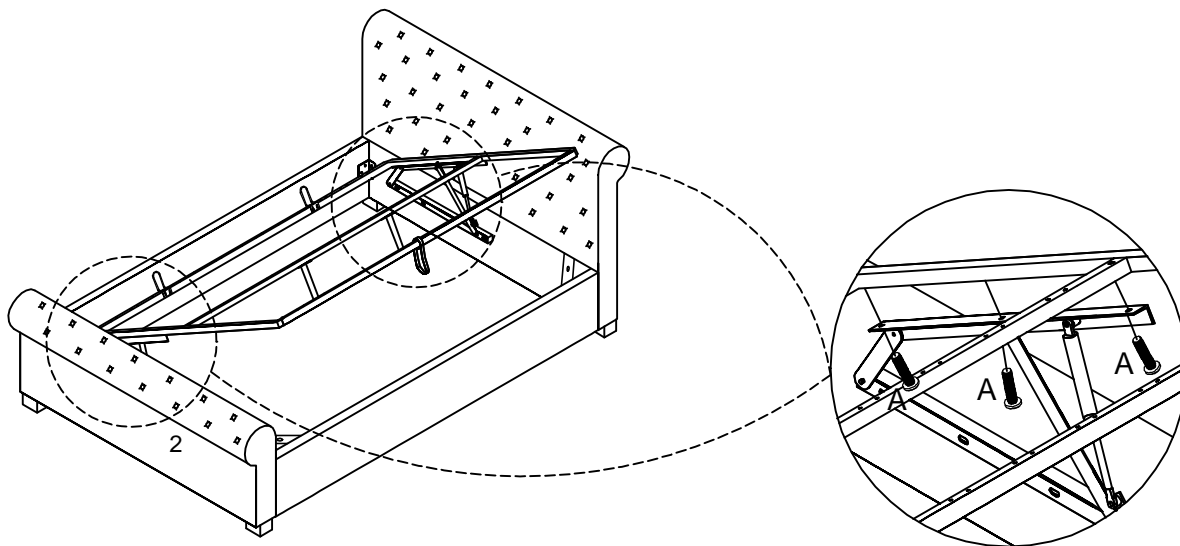


THE USE OF POWER TOOLS TO ASSEMBLE THIS PRODUCT WILL INVALIDATE ANY CLAIM AND MAY DAMAGE THIS PRODUCT MAKING IT UNSAFE

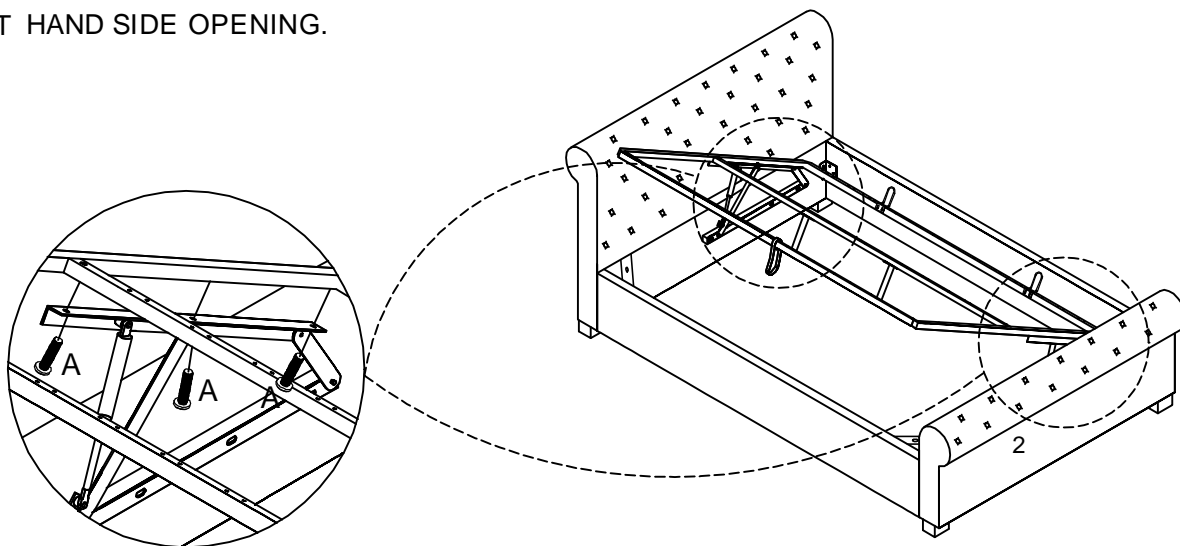


Step 12  A x 6pcs

RIGHT HAND SIDE OPENING.

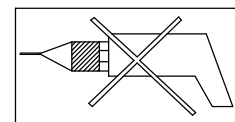


OR LEFT HAND SIDE OPENING.

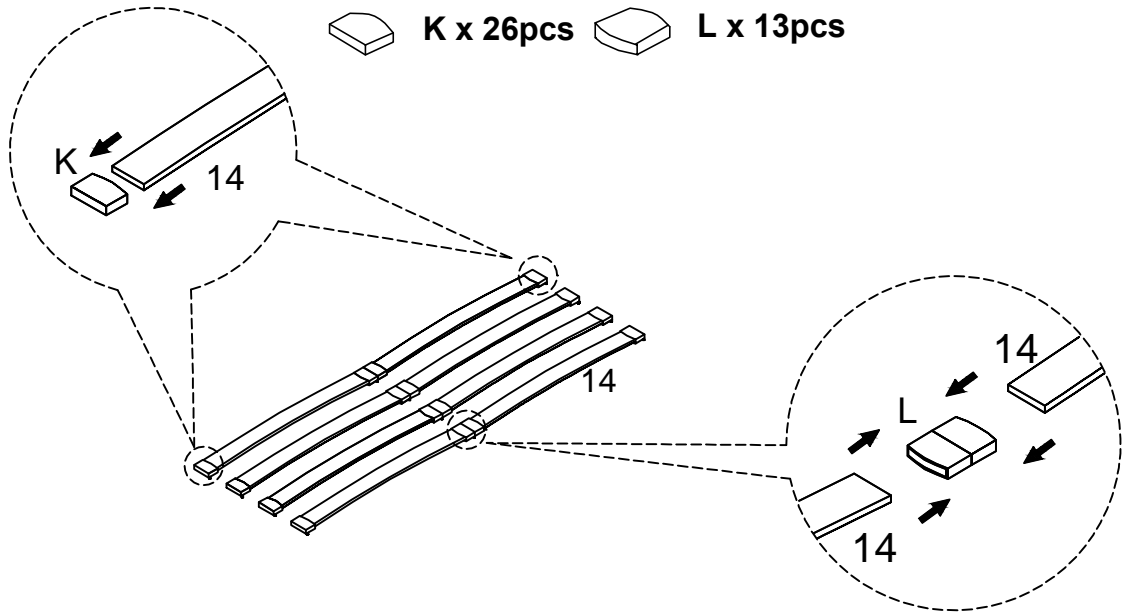


ATTACH THE BED BASE SIDE TUBES TO HINGES (9) USING BOLT (D), ONCE BASE IS ATTACHED PLEASE ENSURE THE ADJUSTABLE FOOT IS AT LEAST 5MM AWAY FROM THE STORAGE BASE.

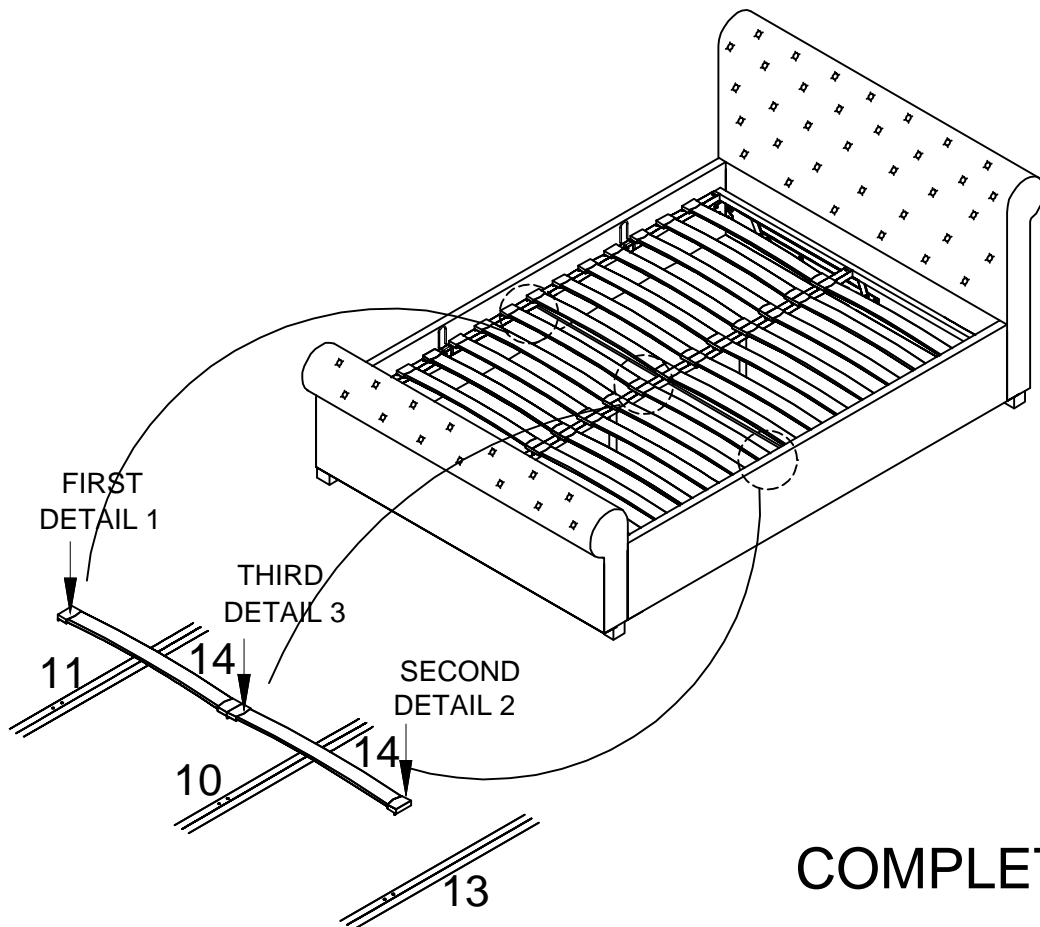
THE USE OF POWER TOOLS TO ASSEMBLE THIS PRODUCT WILL INVALIDATE ANY CLAIM AND MAY DAMAGE THIS PRODUCT MAKING IT UNSAFE



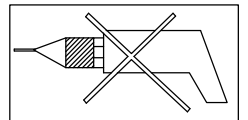
## Step 13



## Step 14



THE USE OF POWER TOOLS TO ASSEMBLE THIS PRODUCT WILL INVALIDATE ANY CLAIM AND MAY DAMAGE THIS PRODUCT MAKING IT UNSAFE



**PLEASE ENSURE THE  
MATTRESS IS IN PLACE  
BEFORE USING THIS  
MECHANISM**