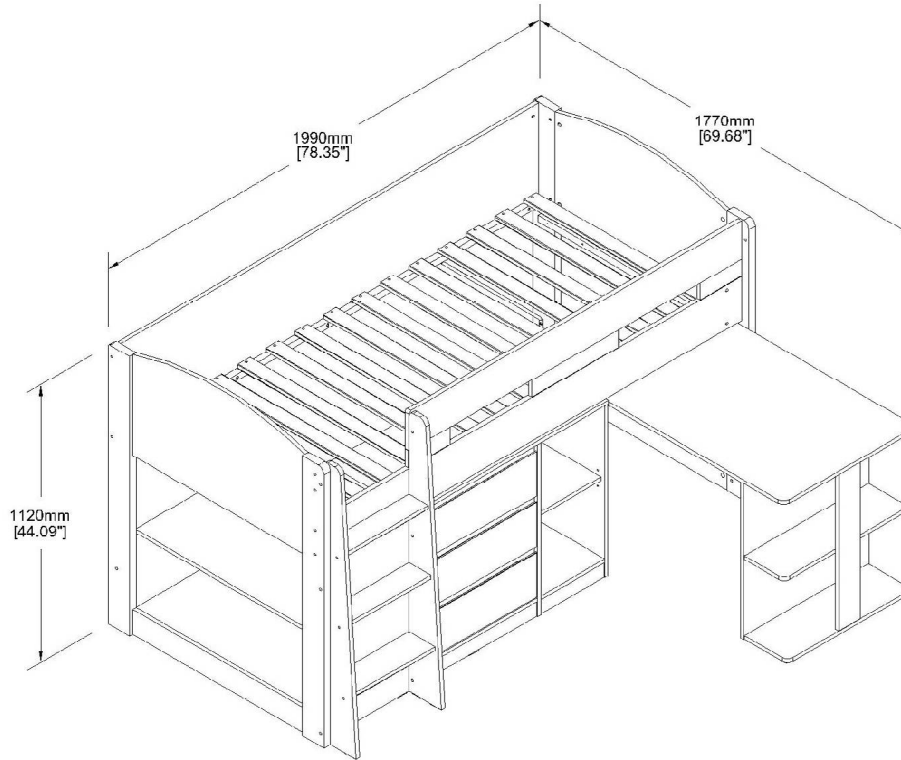


Model : Billie Mid Sleeper Bed

Product Size : 920mm x 1930mm (Base Int Size)

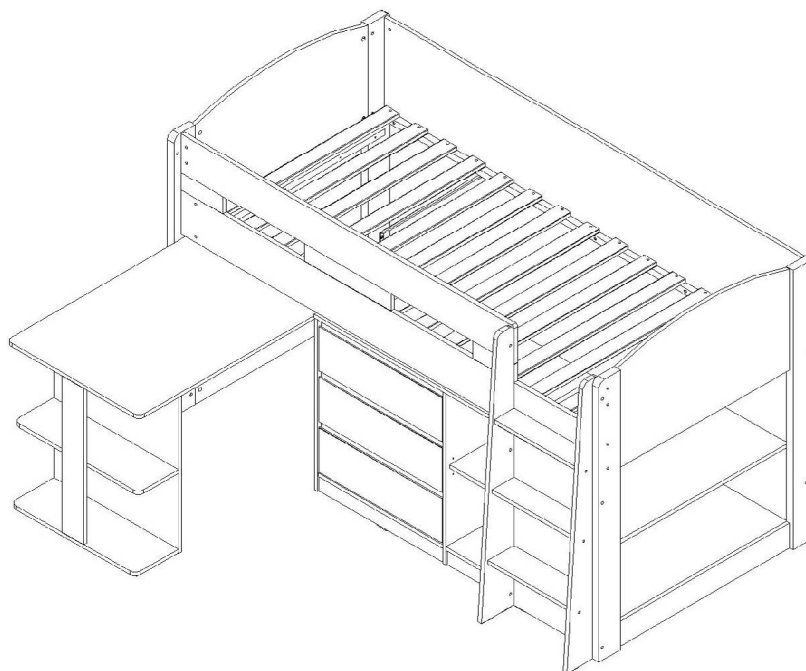
Thank you for purchasing this product. Before starting assembly we suggest you spend a short time reading through this leaflet, then follow the simple step by step guide. Two people are needed to assemble this product.

Option A



Page 1 - 33

Option B



Page 1 - 24
Page 34 - 42

Model : Billie Mid Sleeper Bed

Product Size : 920mm x 1930mm (Base int Size)

TOP TIPS BEFORE YOU START !

IMPORTANT - READ CAREFULLY - RETAIN FOR FUTURE REFERENCE

1. Please check that all parts & hardware are present before you start the assembly of your furniture.
2. For ease and speed of assembly, we recommend that before you commence each step of the assembly, Please identify all the parts required for that step.
3. We recommend that where possible, all items are assembled near to the area in which they will be placed in use, to avoid moving the product unnecessarily once assembled.
4. For the protection of your furniture, particularly items of high gloss finish, we recommend that the product is placed on a Protected surface during assembly to prevent any damage.
5. During assembly please take care not to over-tighten any fittings, as this may damage the product.

CARE AND MAINTENANCE OF YOUR FURNITURE

- Please periodically check all fittings and re-tighten as necessary.
- To clean your item, please use a damp cloth and wipe clean.
- Never allow any kind of liquid to remain on your furniture. Absorption can cause wood to warp or finishes to de-laminate.
- Please do not place hot items (e.g hot drinks) directly on the wood surface.
- Please do not drag or pull your furniture.

IMPORTANT INFORMATION

1. Thickness of mattress should not exceed 212mm.
2. Children should be discouraged from playing on top of this bunk bed.
3. The bunk bed should be checked periodically by the owner to ensure that the guardrail, ladder, and other components are maintained in the correct position and state of repair and that all connectors are tight.
4. A bunk bed is not to be placed near a ceiling fan unless the distance between the closest points on the ceiling fan bunk Bed is at least 2 metres.
5. Use guardrails on both sides of upper bunk.
6. Prohibit horseplay on or under bed(s).
7. Prohibit more than one person on upper bunk.
8. Use Ladder for entering and leaving upper bunk.
9. If the bunk bed will be placed next to the wall, the guardrail that runs the full length of the bed should be placed against The wall to prevent entrapment between the bed and the wall.
10. **WARNING** Do not use the bunk bed/high bed if any structural part is broken or missing.
11. Ventilation of the room is necessary in order to keep the humidity low and to prevent mould in and around the bed.
12. **WARNING** "high beds & the upper bed of bunk beds are not suitable for children under six years due to risk of injury from falls";
13. **WARNING** "children can become trapped between the bed & the wall, a roof pitch, the ceiling, adjoining pieces of furniture (e.g.cupboard) and the like. To avoid risk of serious injury the distance between the top safety barrier and the adjoining structure shall not exceed 75mm nor shall be more than 212mm"
14. always follow the manufacturer's instruction;
15. Recommended Mattress Size : 90cm x 190cm (UK Single) with Maximum Depth of 21.2cm
16. This item conforms to European Safety Standards - BS EN 747-1 : 2012 + A1 : 2015 & BS EN 747-2 : 2012 + A1 : 2015
17. **WARNING** "Bunk beds and high beds can present a serious risk of injury from strangulation if not used correctly. Never attach or hang items to any part of the bunk bed that are not designed to be used with the bed, for example, but not limited to ropes, strings, cords, hooks, belts and bags"
18. High beds and the upper bed of bunk beds is suitable for a maximum mattress thickness of 182mm. The top of mattress must not come above the line marked on the bed.

STRANGULATION HAZARD:

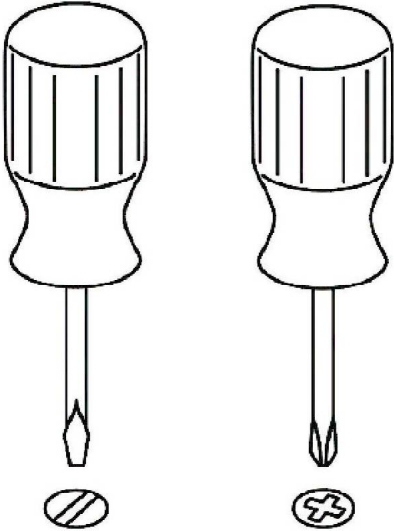
19. Never attach or hang items to any part of the bunk bed that are not designed for use with the bed for example, but not limited to hook, belt and jump ropes.

Guide To Assembly

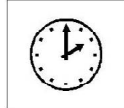
Model : Billie Mid Sleeper Bed

Tools Required For Assembly

Phillips Screw Driver



DO NOT USE POWER TOOLS TO ASSEMBLE THIS PRODUCT. USE OF POWER TOOLS WILL INVALIDATE ANY CLAIM AND MAY DAMAGE THIS PRODUCT MAKING IT UNSAFE.

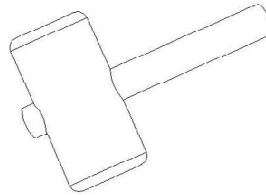


Approximately 2 hour 30 min

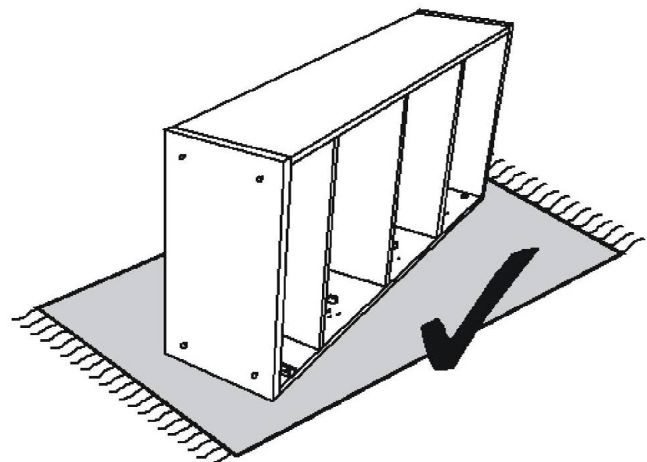
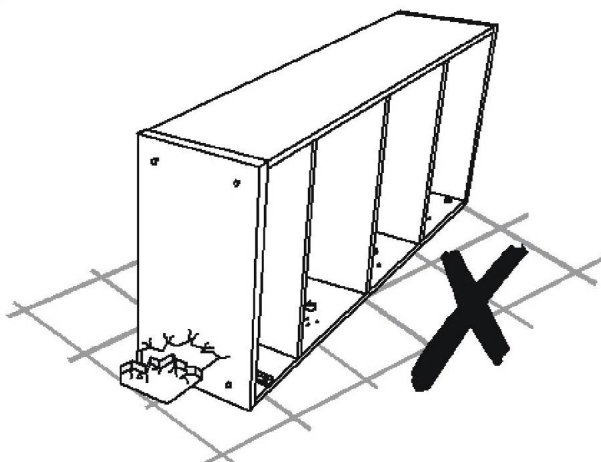
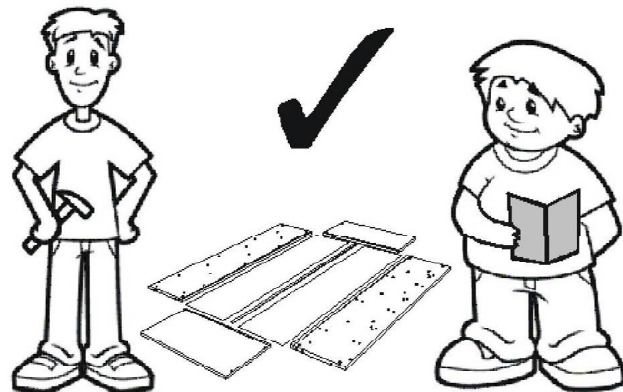
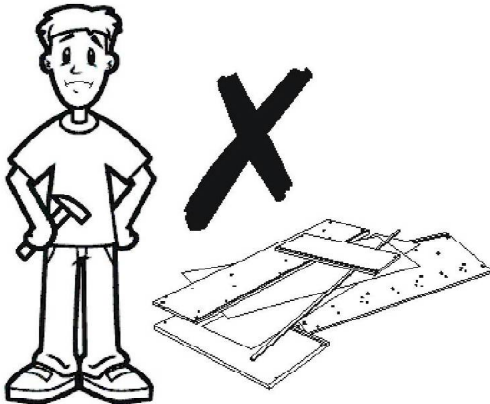
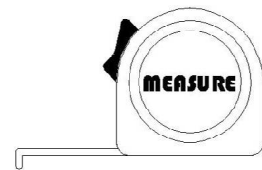


2 People Required

Rubber Hammer



Measure



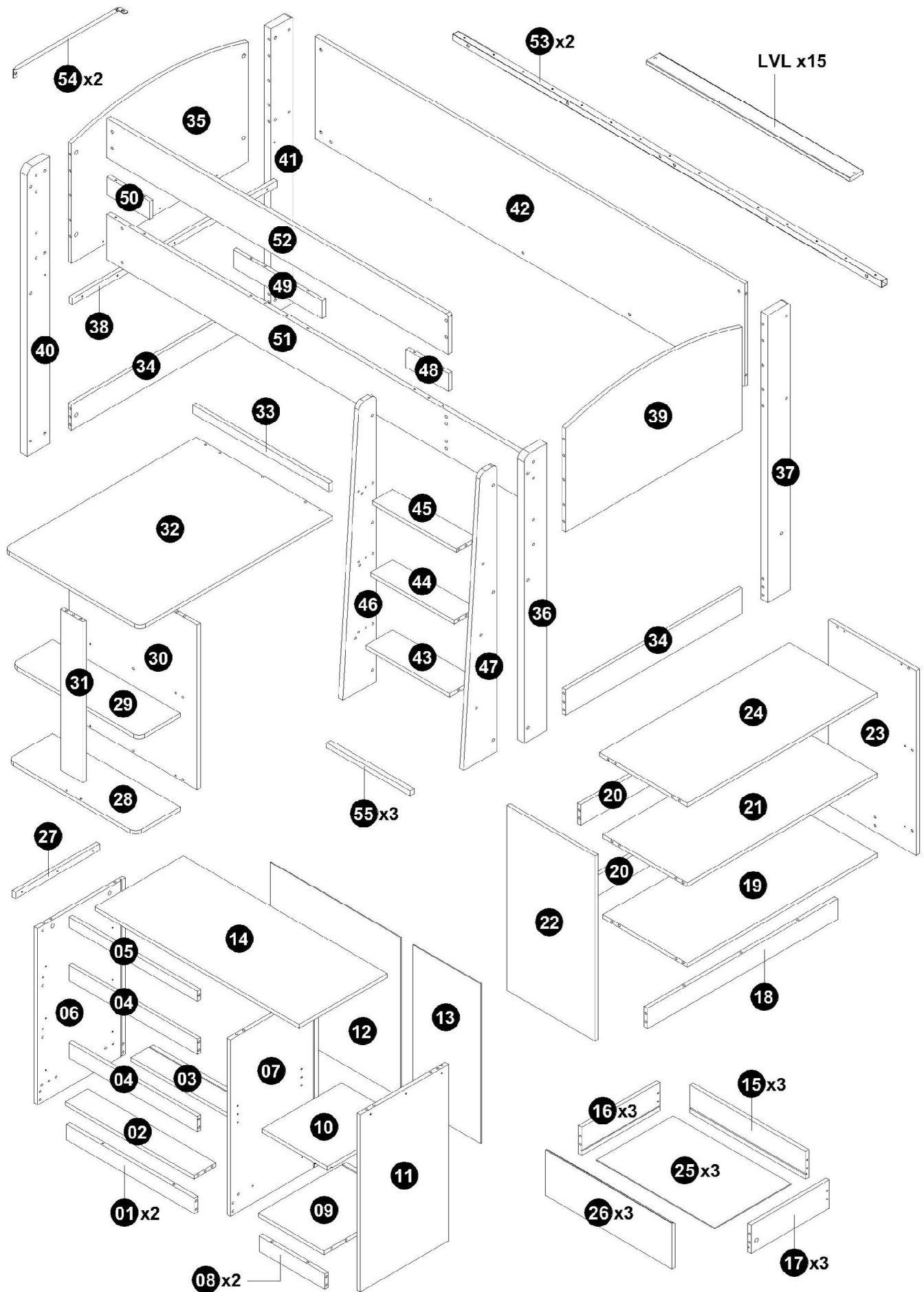
Part List

Model : Billie Mid Sleeper Bed

Carton 1 of 4			Carton 3 of 4		
No.	Part Name	Pcs	No.	Part Name	Pcs
01	Plinth Panel (Chest Drawers)	2	27	Support Panel	1
02	Bottom Panel (Chest Drawers)	1	28	Bottom Panel (Table)	1
03	Back Panel (Chest Drawers)	1	31	Front Panel (Table)	1
04	Support Panel (Chest Drawers)	2	33	Back Support (Table)	1
05	Support Panel (Chest Drawers)	1	34	Bottom Panel (L & R End Panel)	2
06	Left Panel (Chest Drawers)	1	35	Center Panel (L & R End Panel)	1
07	Center Support (Chest Drawers)	1	36	Front Panel (Right End Panel)	1
08	Plinth Panel (Chest Drawers)	2	37	Back Panel (Right End Panel)	1
09	Bottom Panel (Chest Drawers)	1	38	Support Panel	1
10	Movable Panel (Chest Drawers)	1	39	Center Panel (L & R End Panel)	1
11	Right Panel (Chest Drawers)	1	40	Front Panel (Left End Panel)	1
13	Back Panel (Chest Drawers)	1	41	Back Panel (Left End Panel)	1
14	Top Panel (Chest Drawers)	1	43	1st Ladder Step	1
15	Back Panel (Drawer)	3	44	2nd Ladder Step	1
16	Left Panel (Drawer)	3	45	3rd Ladder Step	1
17	Right Panel (Drawer)	3	46	Ladder Left Panel	1
25	Bottom Panel (Drawer)	3	47	Ladder Right Panel	1
26	Front Panel (Drawer)	3			
Assembly Instructions + Fitting List			Carton 4 of 4		
			42	Back Side Panel	1
			48	Front Side Panel (Center)	1
Carton 2 of 4			49	Front Side Panel (Center)	1
12	Back Panel (Chest Drawers)	1	50	Front Side Panel (Center)	1
18	Plinth Panel (Shelf)	1	51	Front Side Panel (Bottom)	1
19	Bottom Panel (Shelf)	1	52	Front Side Panel (Upper)	1
20	Back Support Panel (Shelf)	2	53	Metal Side Rail	2
21	Center Panel (Shelf)	1	54	Brace	2
22	Left Panel (Shelf)	1	55	Ladder Support Rail	3
23	Right Panel (Shelf)	1		LVL Slat	15
24	Top Panel (Shelf)	1			
29	Center Panel (Table)	1			
30	Back Panel (Table)	1			
32	Top Panel (Table)	1			

Part List

Model : Billie Mid Sleeper Bed



Carton 1 of 4

Fitting List

No.	Part Name		Pcs
A	Cam Stud (small)		51
B	Cam		63
C	Contractfix Dowel		12
D	M8 x 25mm Wood Dowel		101
E	M8 x 50mm Wood Dowel		24
F	M6 x 45mm Wood Dowel		20
G	45mm Chipboard Screw		4
H	38mm Chipboard Screw		12
J	30mm Chipboard Screw		8
K	22mm Chipboard Screw		12
L *	14mm Chipboard Screw		38
M	14" Drawer Slide (SJ)		3 set
N	40mm White Nylon Castor		4
P	Metal Shelf Support		4
Q	PVC Back Support		12
R	M5 x 40mm JCBCW Screw		3
S	M6 x 13mm Baller		18
T	M6 Round Nut		4
U	M6 x 70mm Allen Bolt		10
V	M6 x 40mm Allen Bolt		9
W	M6 x 35mm Allen Bolt		10
X	M6 x 30mm Allen Bolt		32
Y	M6 x 25mm Allen Bolt		4
Z	M6 x 12mm Allen Bolt		2
Z1	M6 JCN Nut		10
Z2	M6 Allen Wrench		2
Z3	Felt Pads (45 x 14mm)		22
Z4	PVC Universal Cap		8
Z5	Sticker		32

Caution

There are many small components used in the construction of this unit. These loose items should be kept away from young children whilst assembling your unit. As an extra precaution, screw cover caps should be permanently fixed in position. (Where applicable)

USEFUL HINTS & TIPS

Two people will be required to assemble this unit

Please keep this assembly instruction for future reference

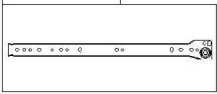
Guide To Assembly

Model : Billie Mid Sleeper Bed

1

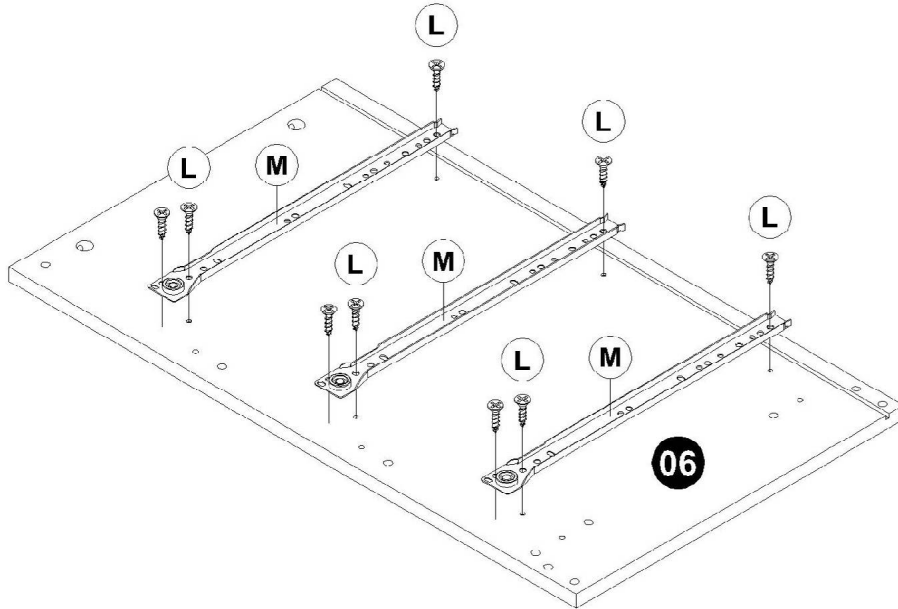
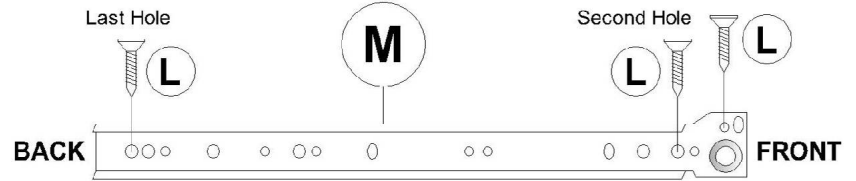


L x 9

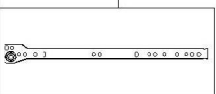


M x 3

To Assembly the Drawer Slide, Please Follow Step as Below

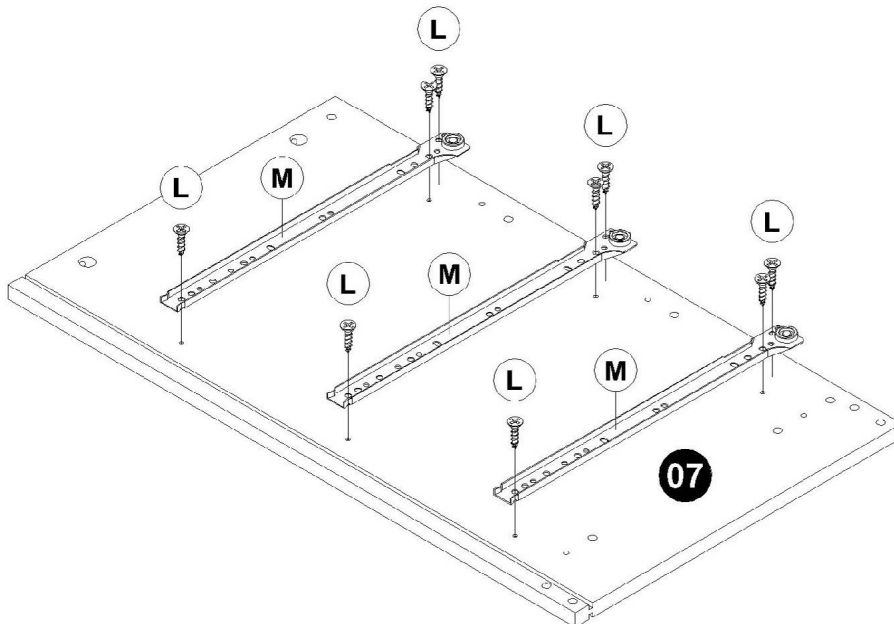
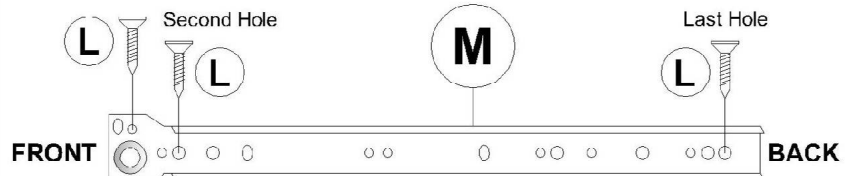


L x 9



M x 3

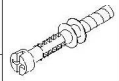
To Assembly the Drawer Slide, Please Follow Step as Below



Guide To Assembly

Model : Billie Mid Sleeper Bed

2



A x 8



B x 16



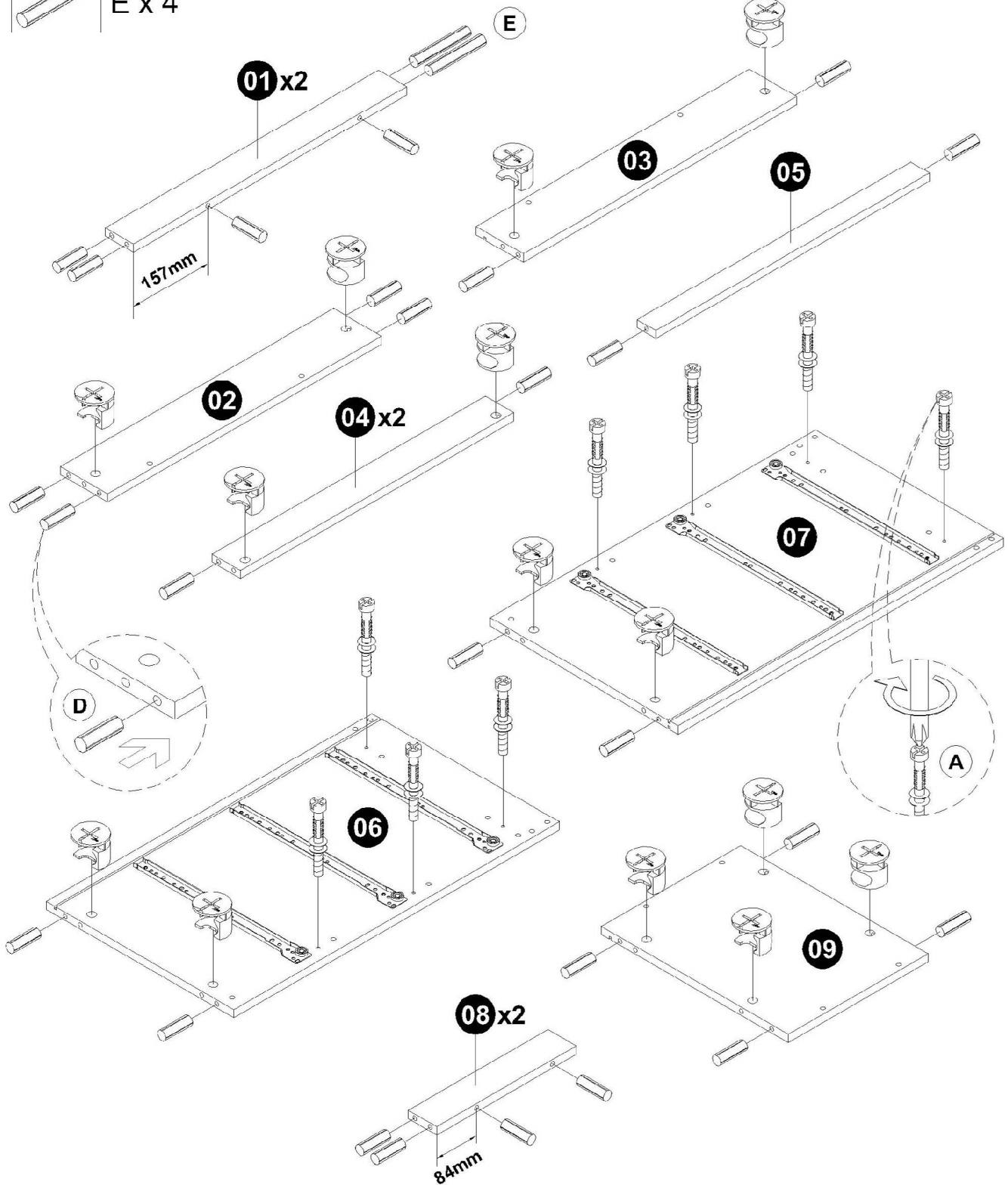
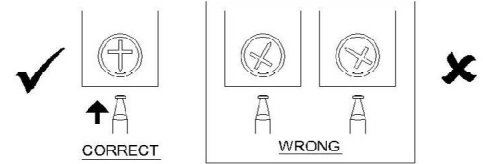
D x 36



E x 4

WHEN FITTING CAMS

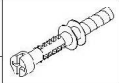
ENSURE STARTING POSITION IS CORRECT
BEFORE YOU INSERT CONNECTING BOLT
TURN CLOCKWISE UNTIL SECURE



Guide To Assembly

Model : Billie Mid Sleeper Bed

3



A x 8



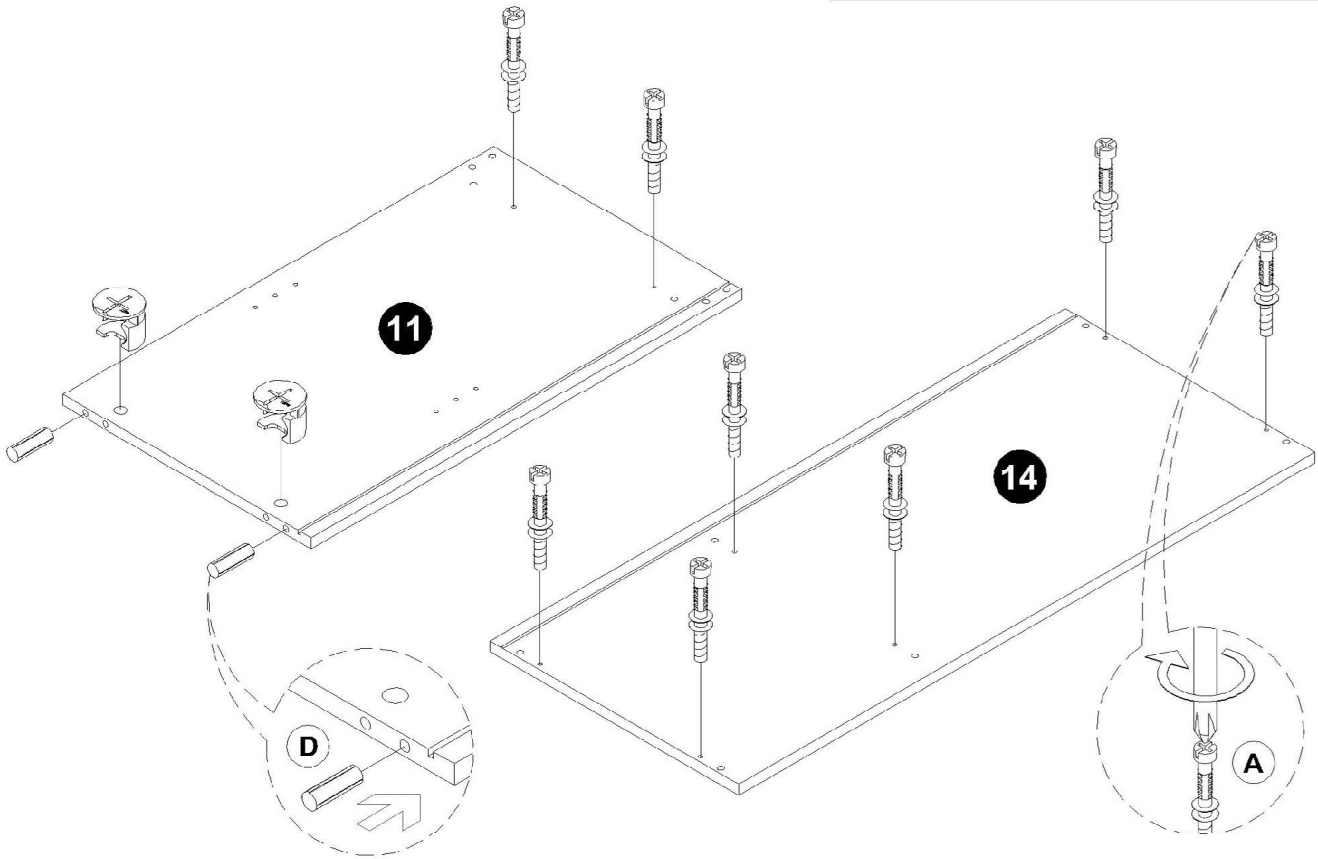
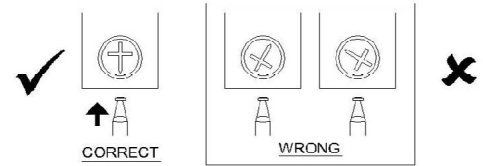
B x 2



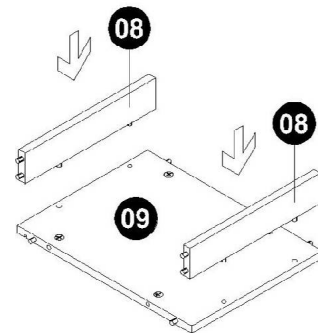
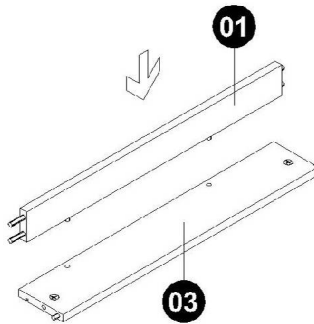
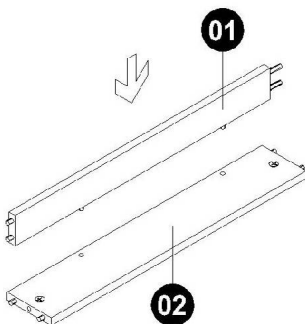
D x 2

WHEN FITTING CAMS

ENSURE STARTING POSITION IS CORRECT
BEFORE YOU INSERT CONNECTING BOLT
TURN CLOCKWISE UNTIL SECURE



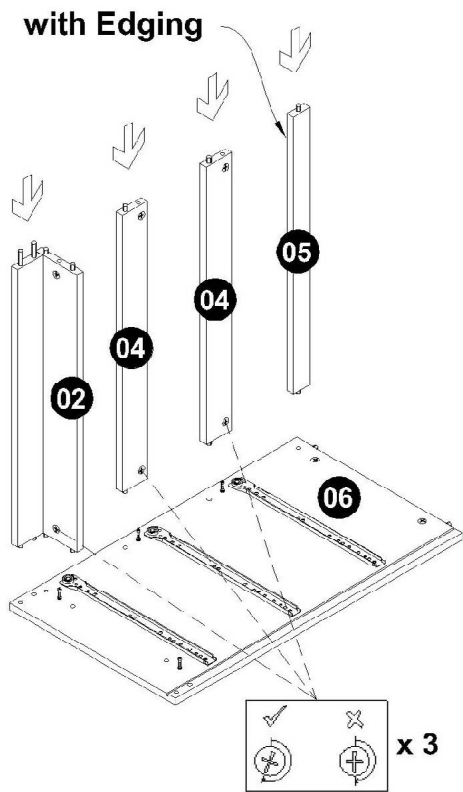
4



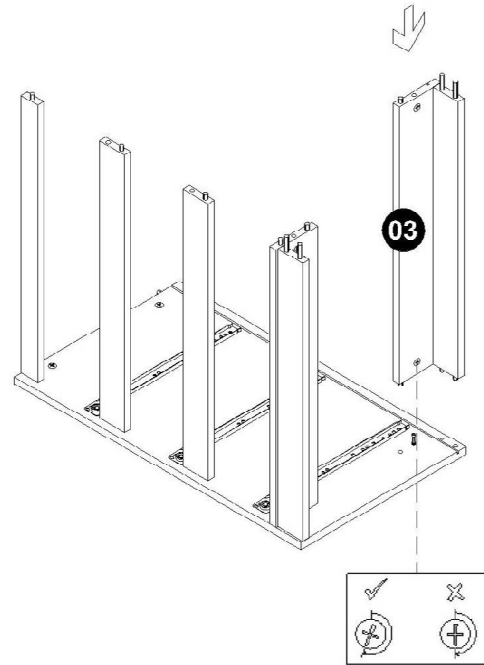
Guide To Assembly

Model : Billie Mid Sleeper Bed

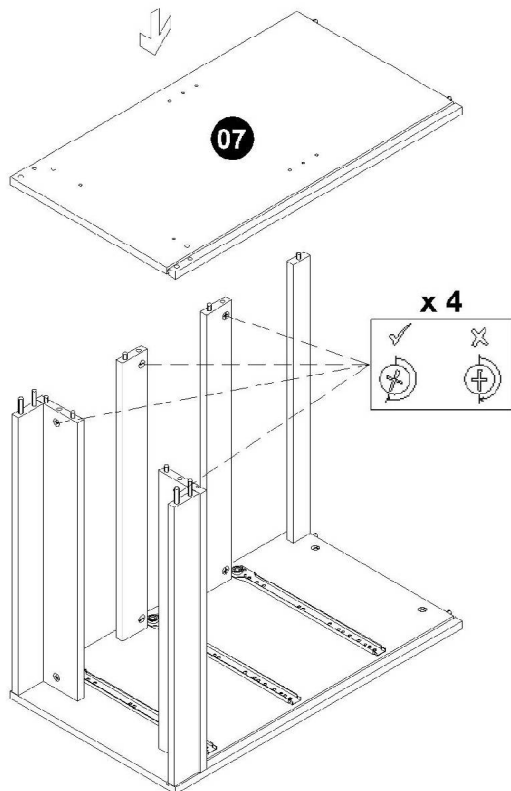
5



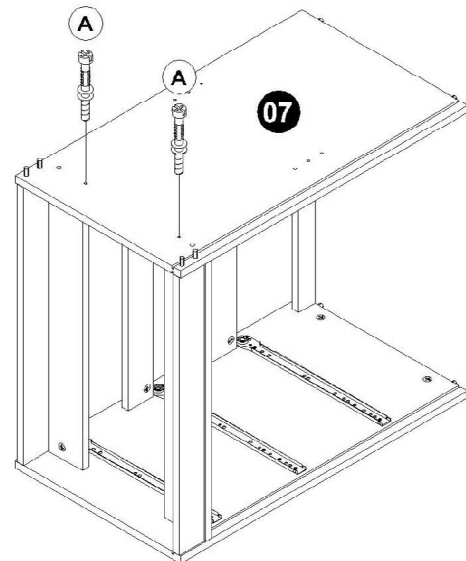
6



7



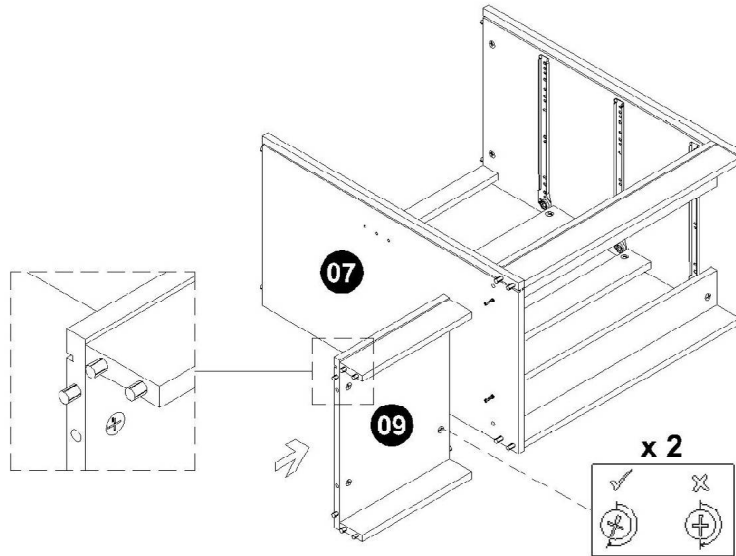
8



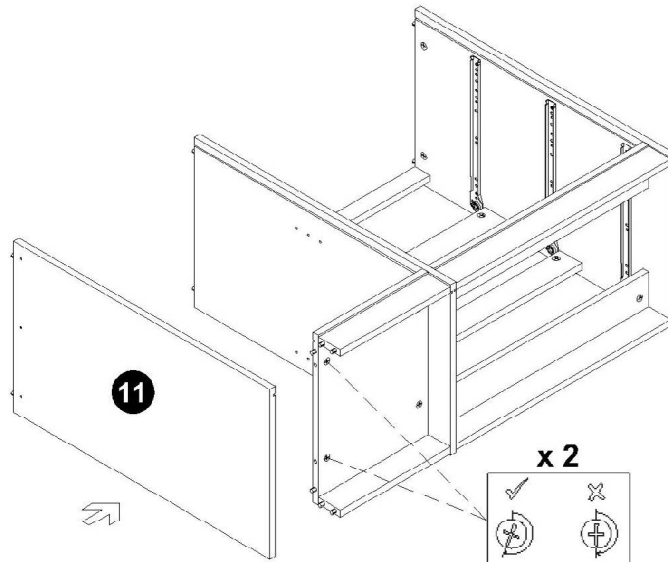
Guide To Assembly

Model : Billie Mid Sleeper Bed

9



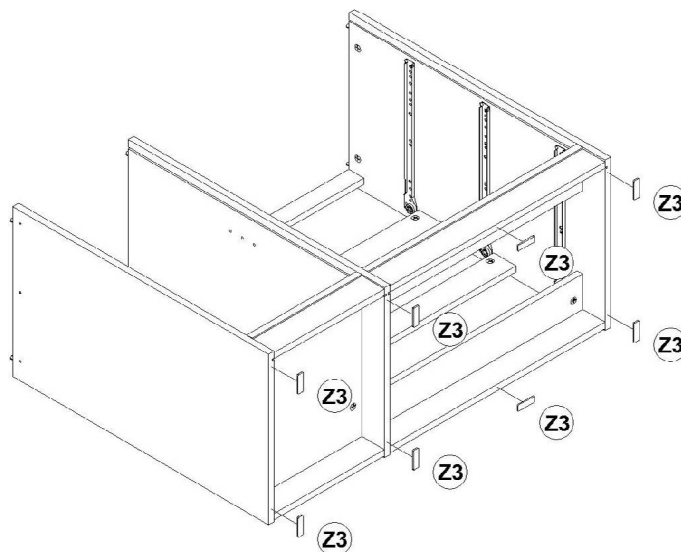
10



11



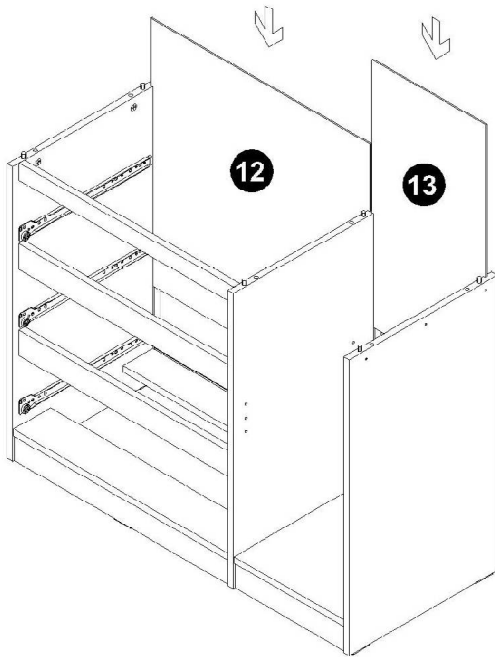
Z3 x 8



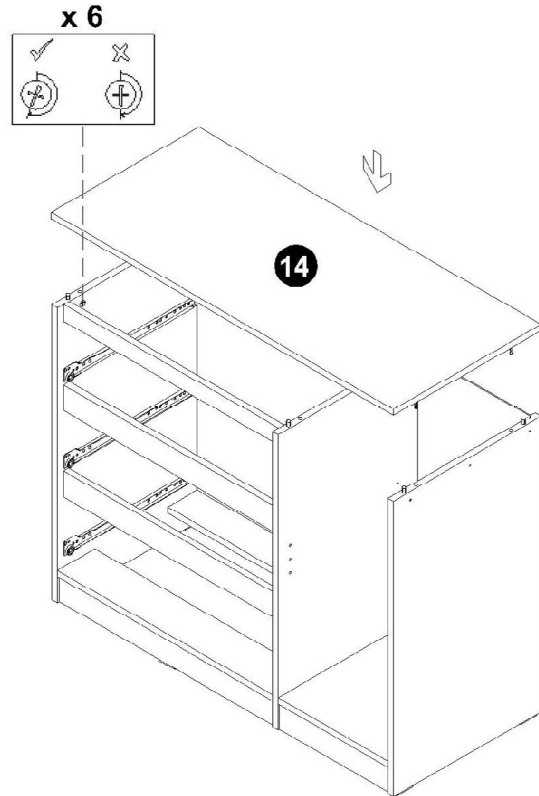
Guide To Assembly

Model : Billie Mid Sleeper Bed

12



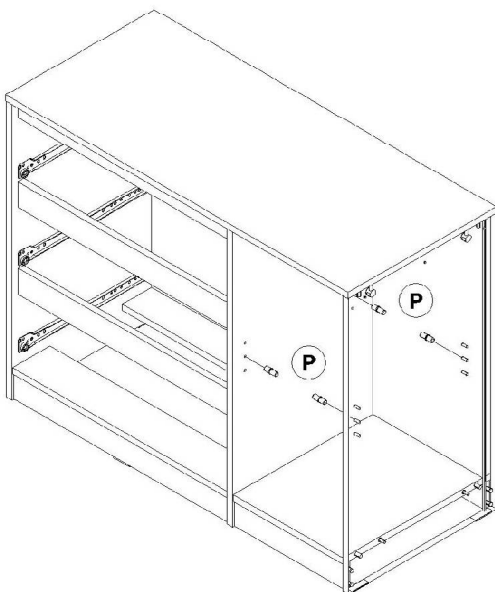
13



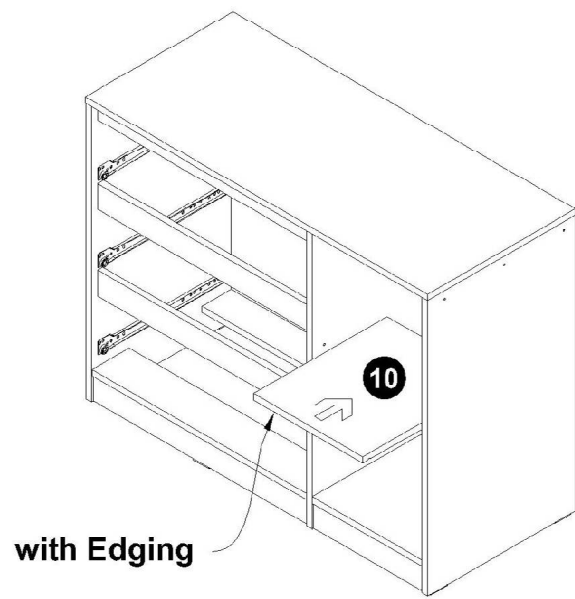
14



P x 4



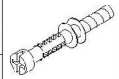
15



Guide To Assembly

Model : Billie Mid Sleeper Bed

16



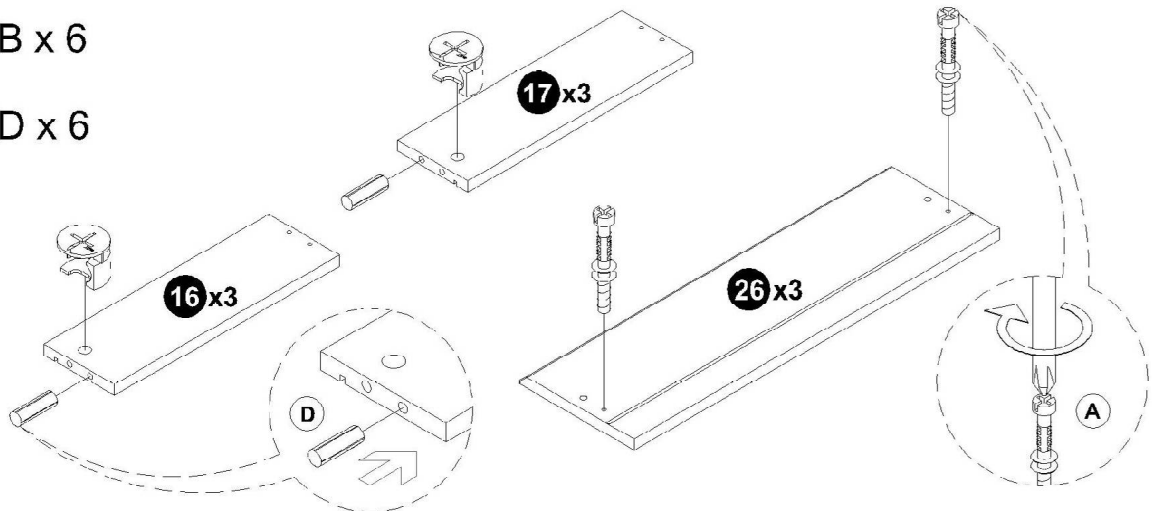
A x 6



B x 6



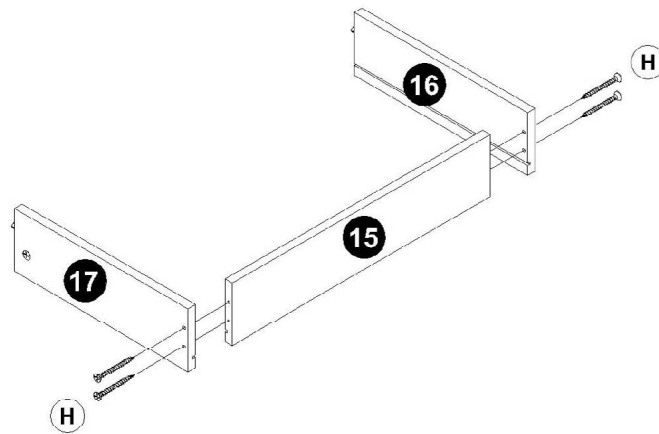
D x 6



17

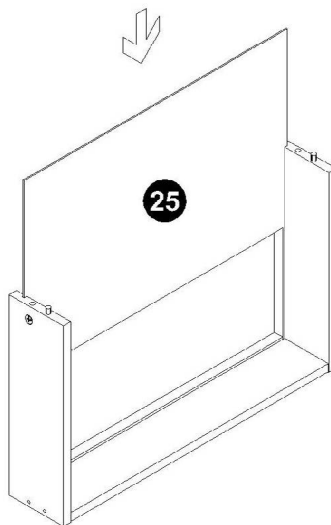


H x 12



Do This Step 3 Times

18

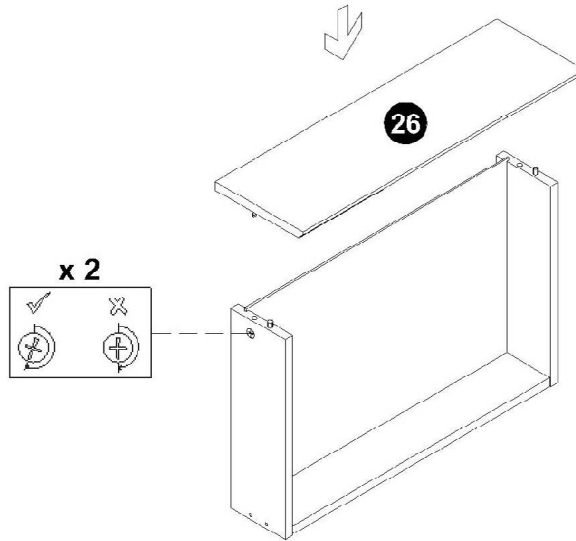


Do This Step 3 Times

Guide To Assembly

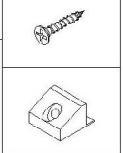
Model : Billie Mid Sleeper Bed

19



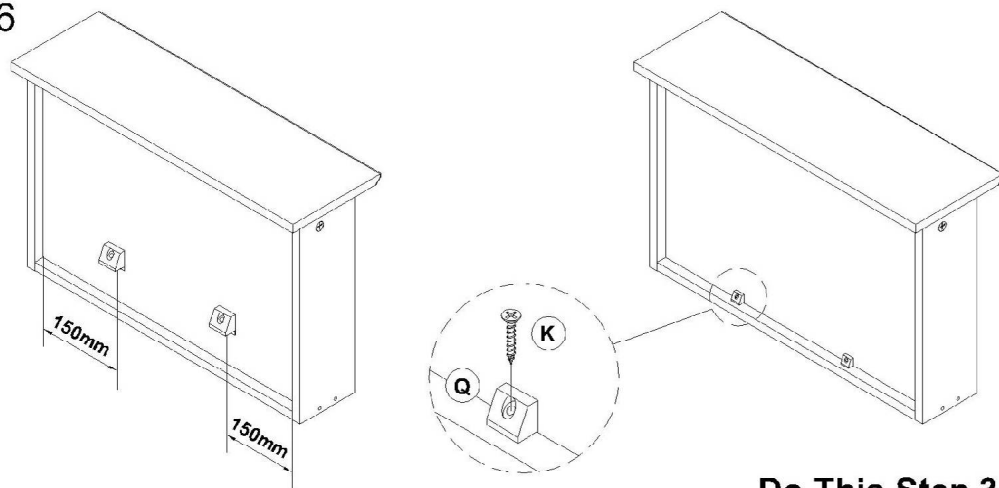
Do This Step 3 Times

20



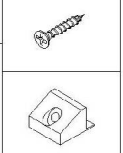
K x 6

Q x 6



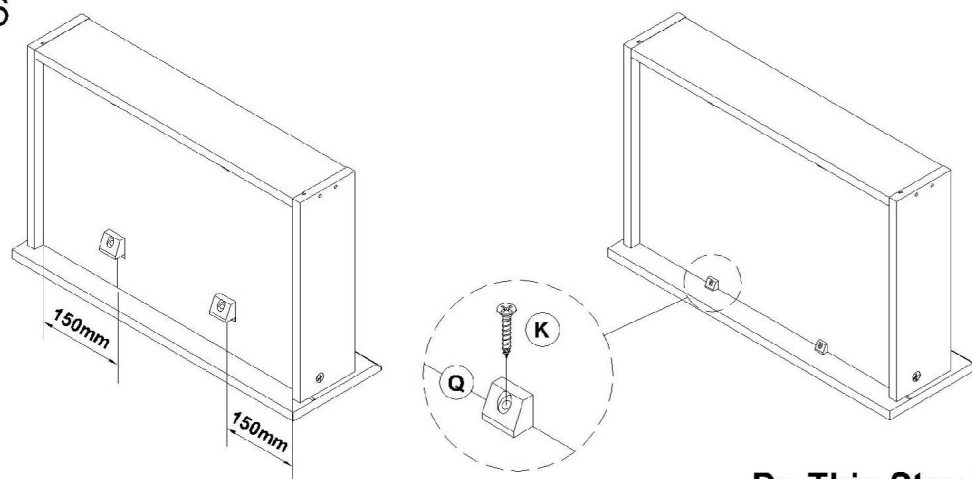
Do This Step 3 Times

21



K x 6

Q x 6



Do This Step 3 Times

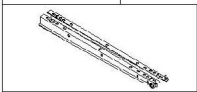
Guide To Assembly

Model : Billie Mid Sleeper Bed

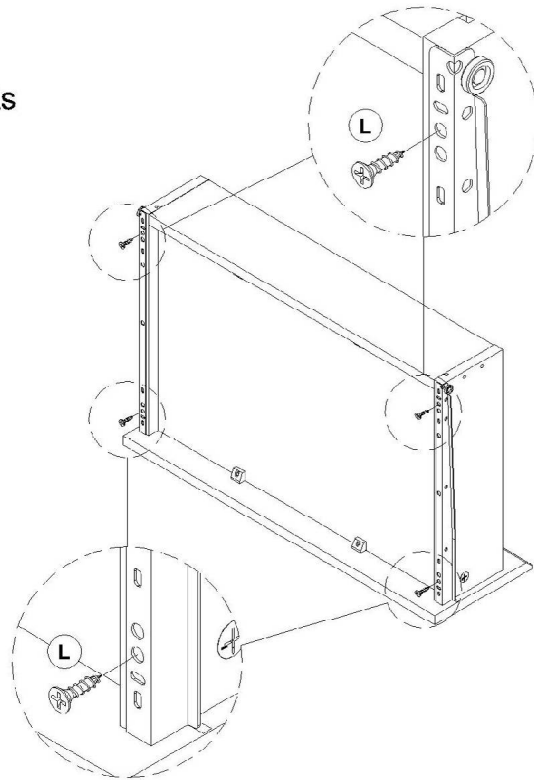
22



L x 12

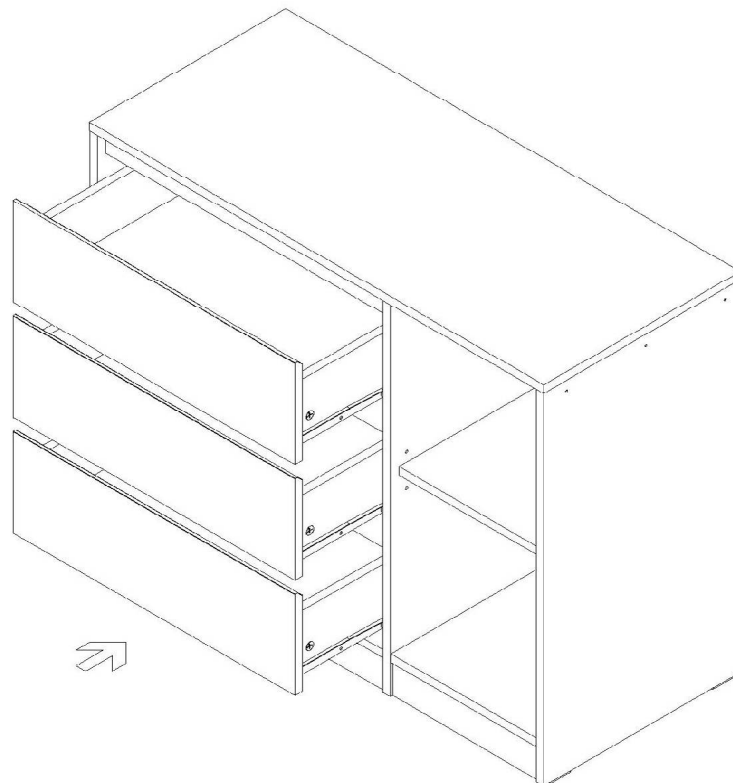


M x 3 sets



Do This Step 3 Times

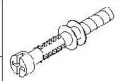
23



Guide To Assembly

Model : Billie Mid Sleeper Bed

24



A x 13



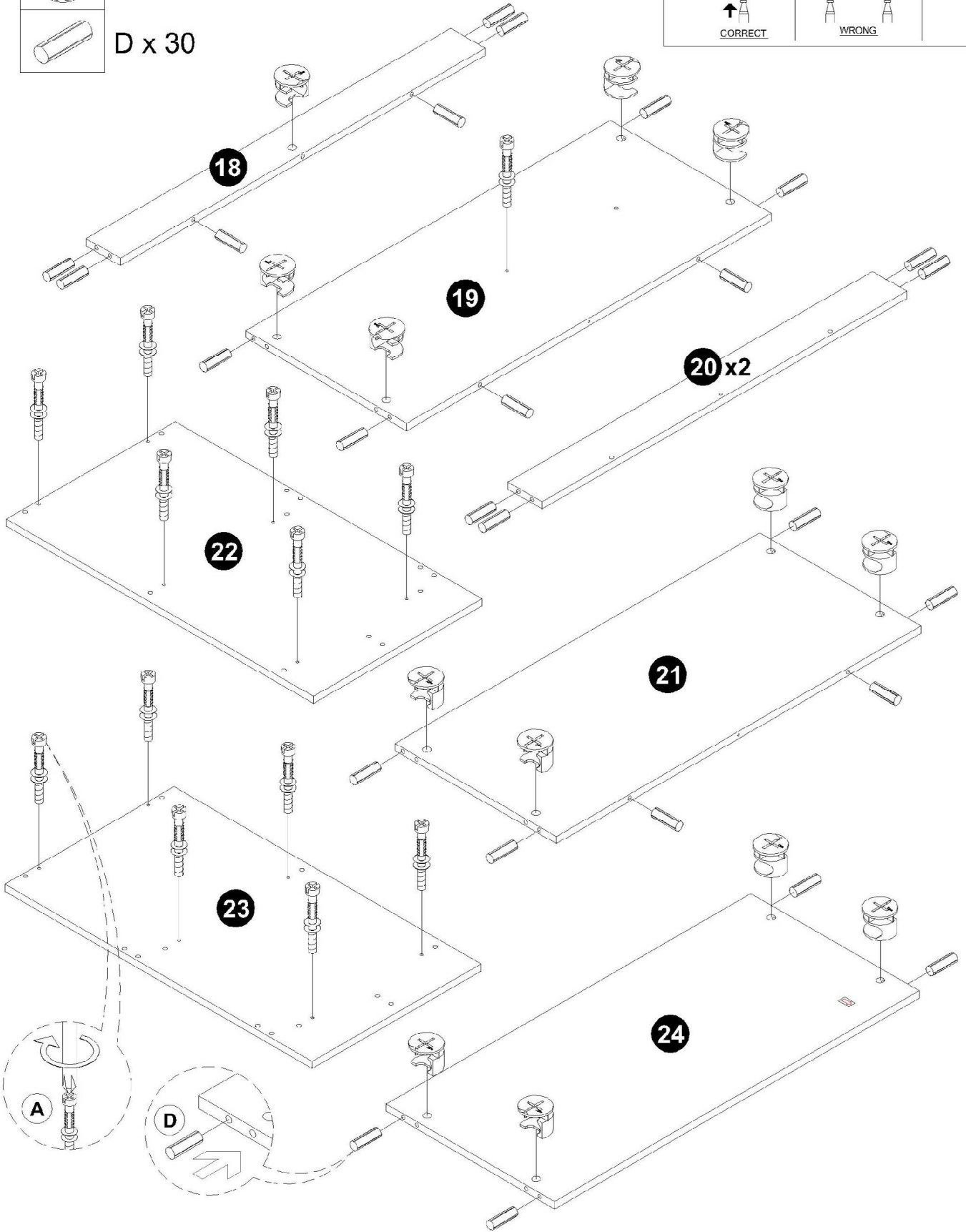
B x 13



D x 30

WHEN FITTING CAMS
 ENSURE STARTING POSITION IS CORRECT
 BEFORE YOU INSERT CONNECTING BOLT
 TURN CLOCKWISE UNTIL SECURE

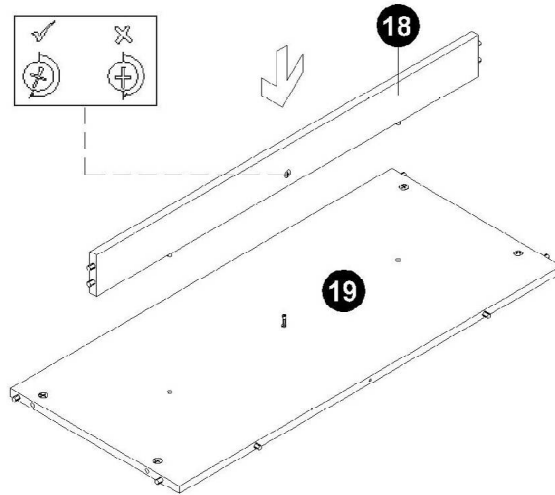
✓ **CORRECT** **WRONG** ✗



Guide To Assembly

Model : Billie Mid Sleeper Bed

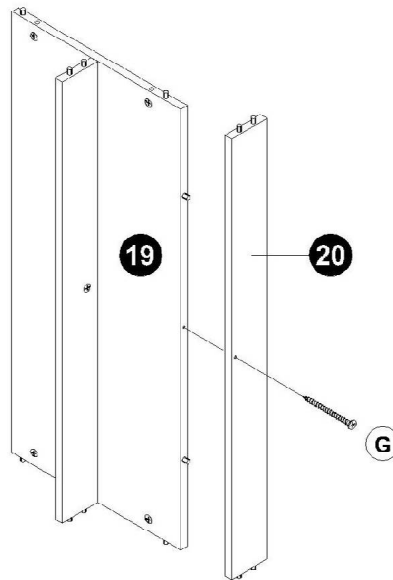
25



26



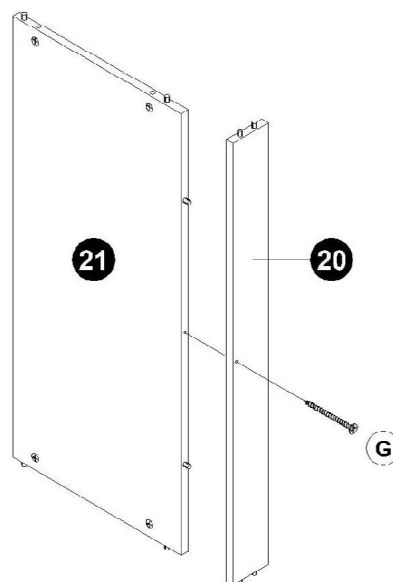
G x 1



27



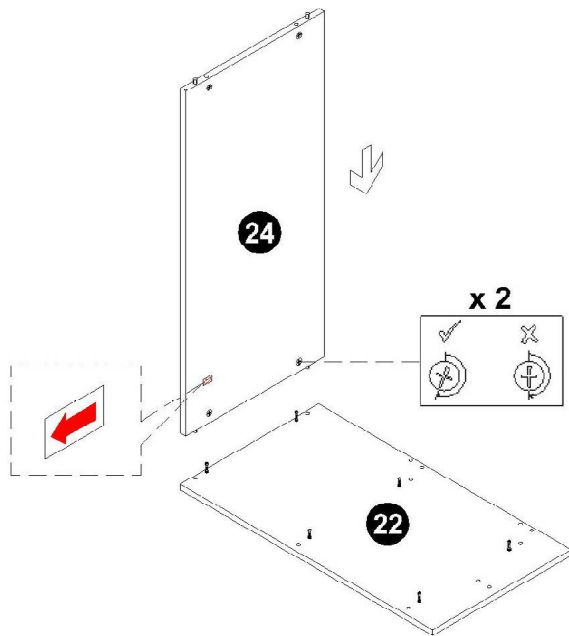
G x 1



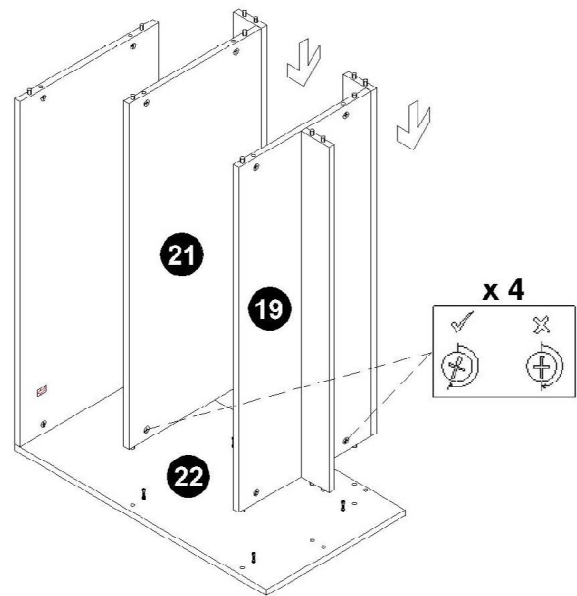
Guide To Assembly

Model : Billie Mid Sleeper Bed

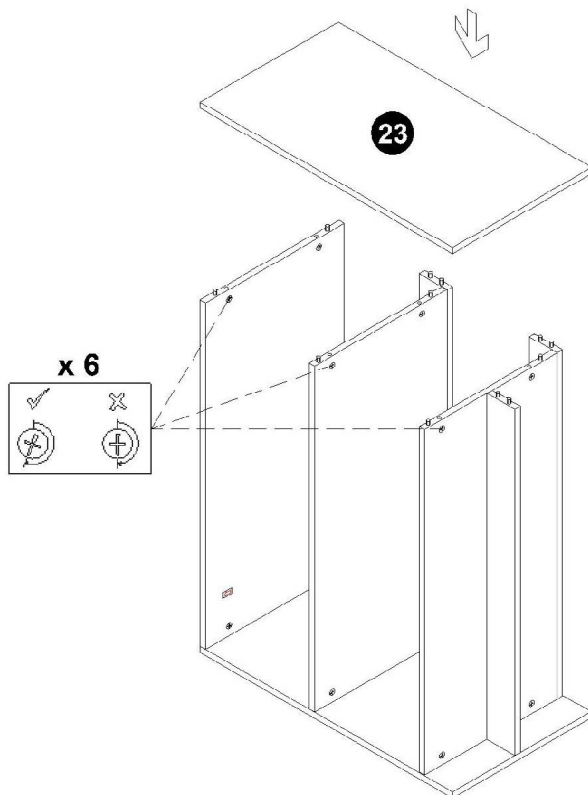
28



29

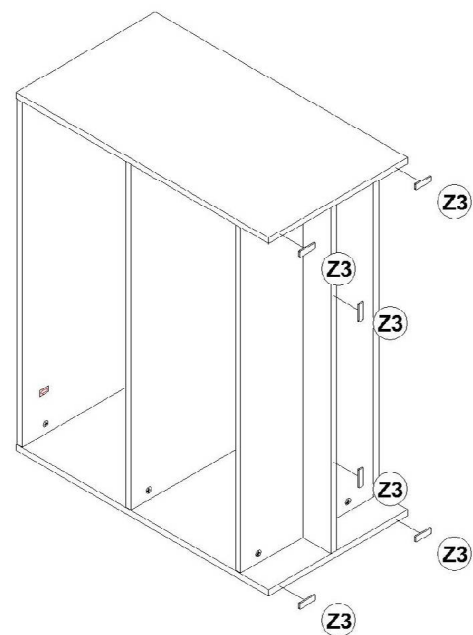


30



31

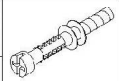
 Z3 x 6



Guide To Assembly

Model : Billie Mid Sleeper Bed

32



A x 8



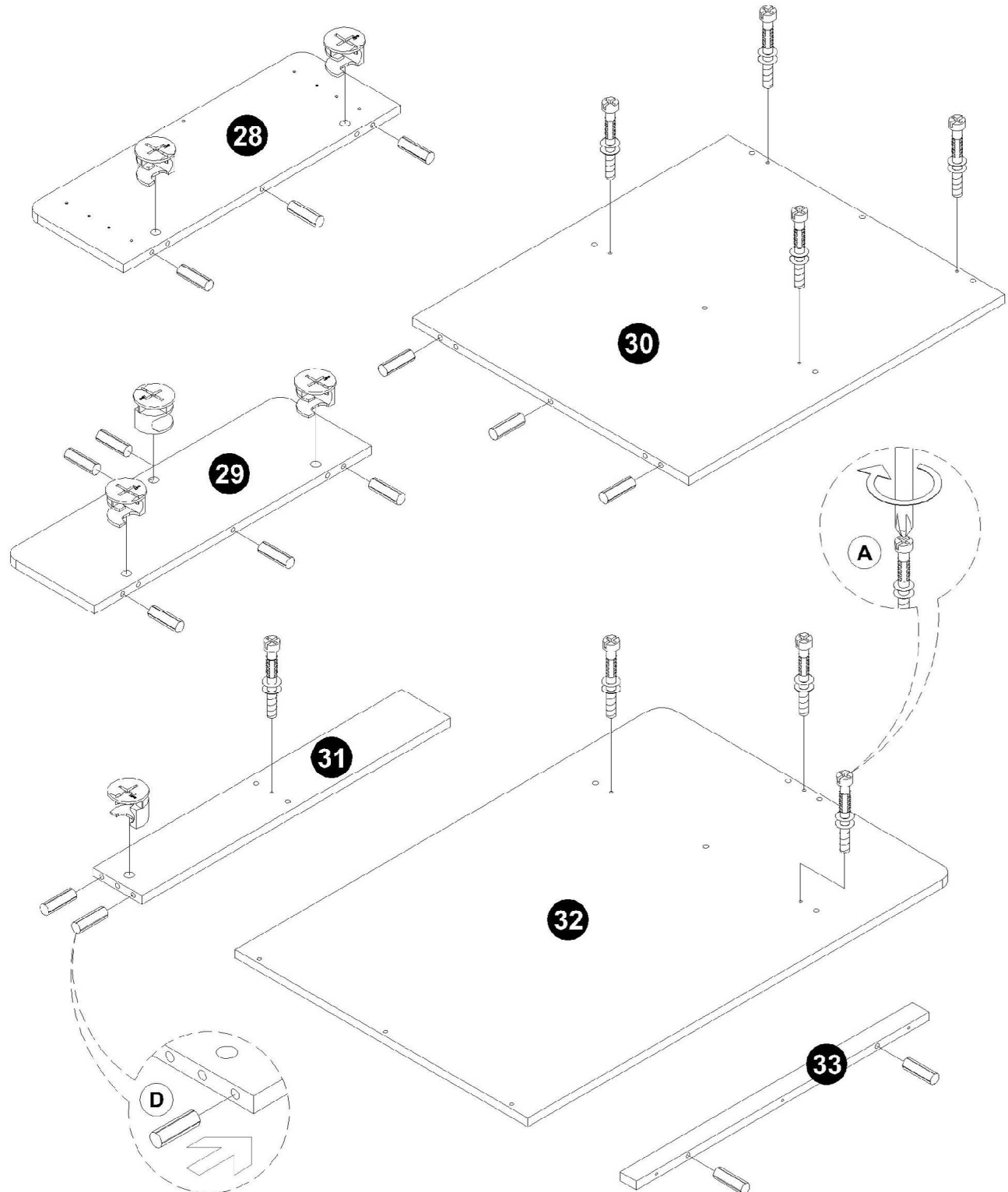
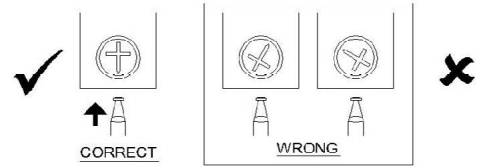
B x 6



D x 15

WHEN FITTING CAMS

ENSURE STARTING POSITION IS CORRECT
BEFORE YOU INSERT CONNECTING BOLT
TURN CLOCKWISE UNTIL SECURE



Guide To Assembly

Model : Billie Mid Sleeper Bed

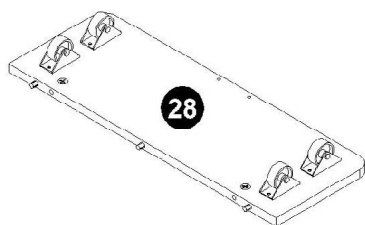
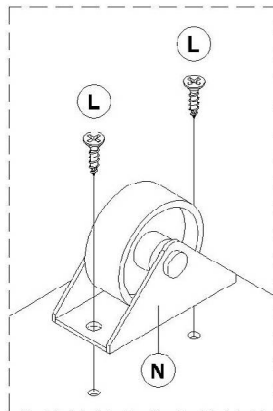
33



L x 8

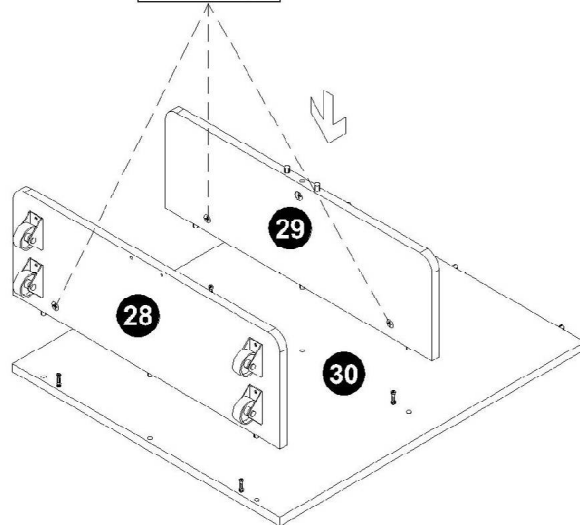
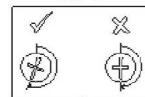


N x 4



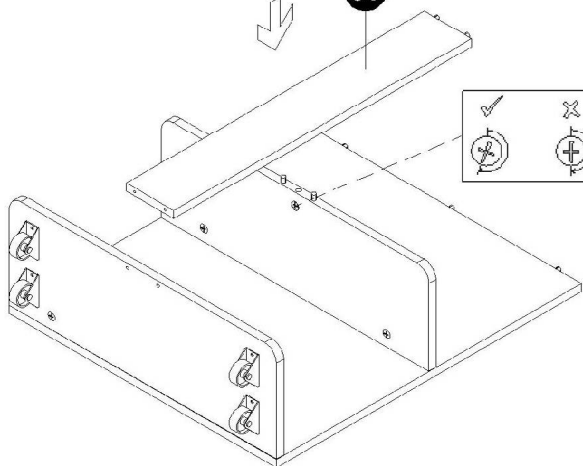
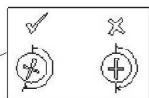
34

x 4



35

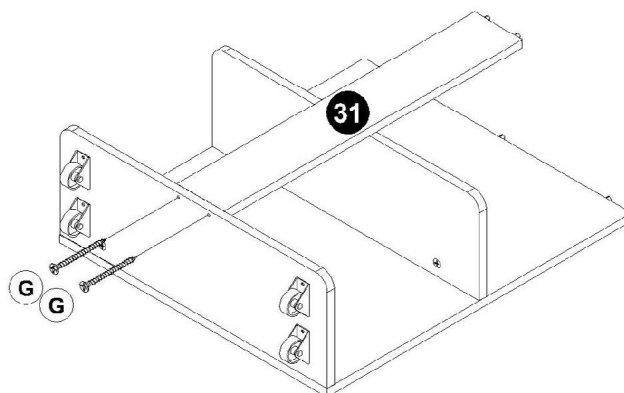
31



36



G x 2



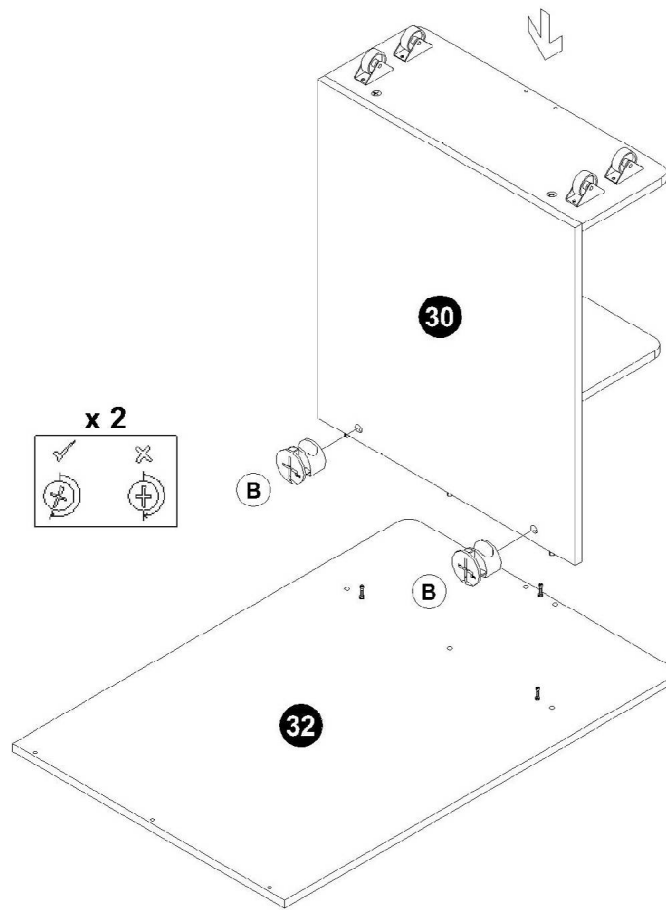
Guide To Assembly

Model : Billie Mid Sleeper Bed

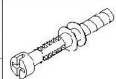
37



B x 2



38



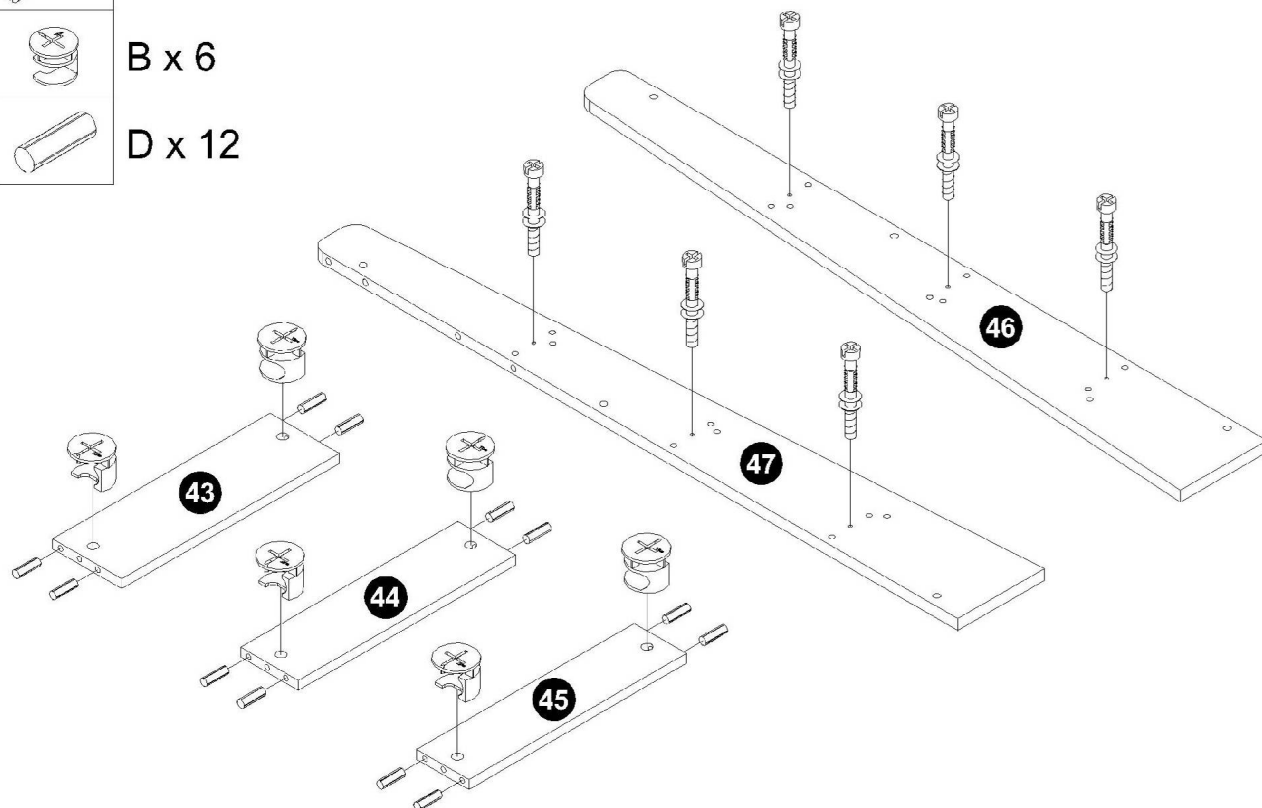
A x 6



B x 6



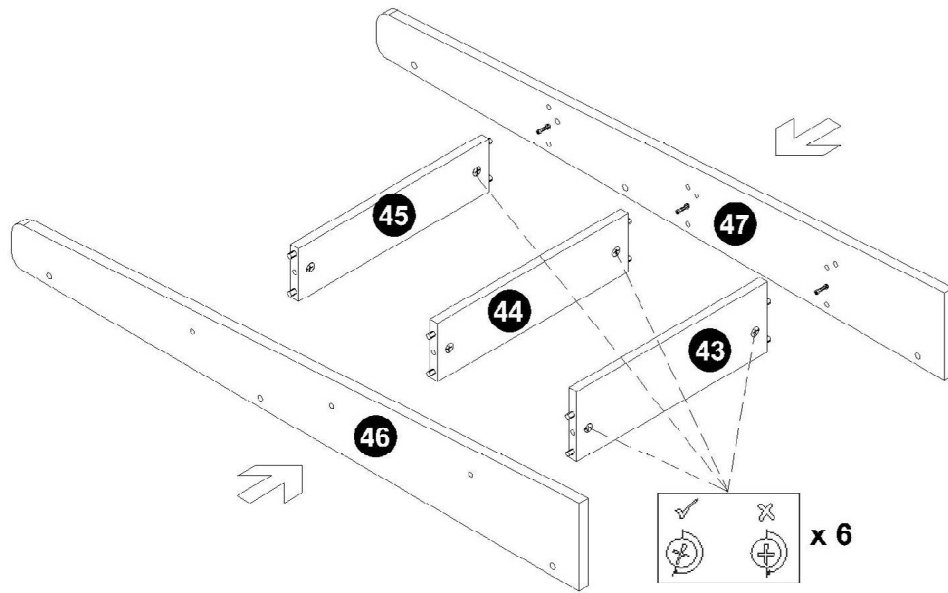
D x 12



Guide To Assembly

Model : Billie Mid Sleeper Bed

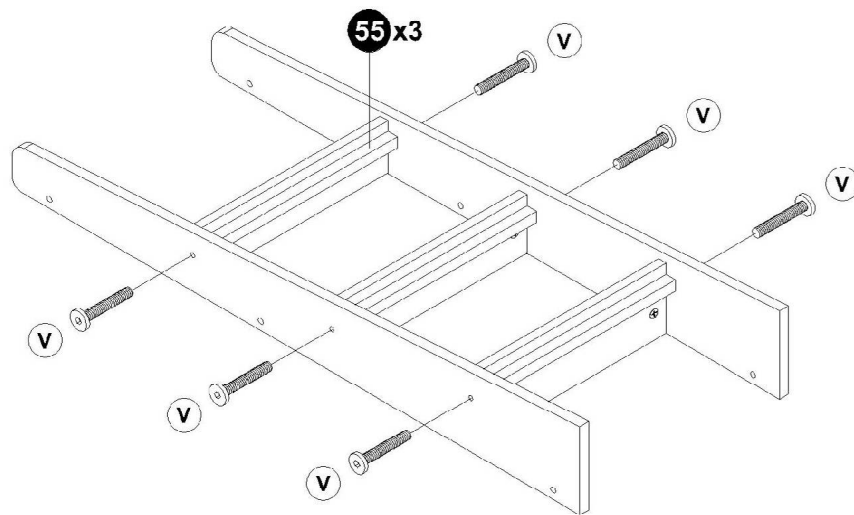
39



40



V x 6



41



Z3 x 4

