
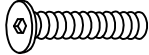
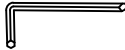

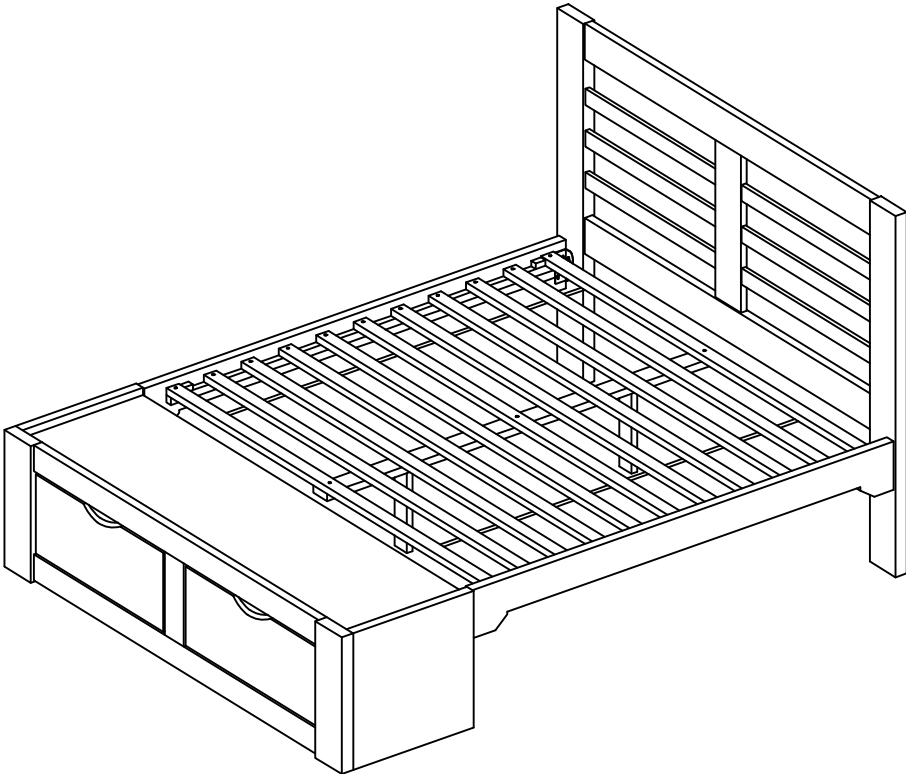


ASSEMBLY INSTRUCTIONS

NEW BRETTON 4'6 BED

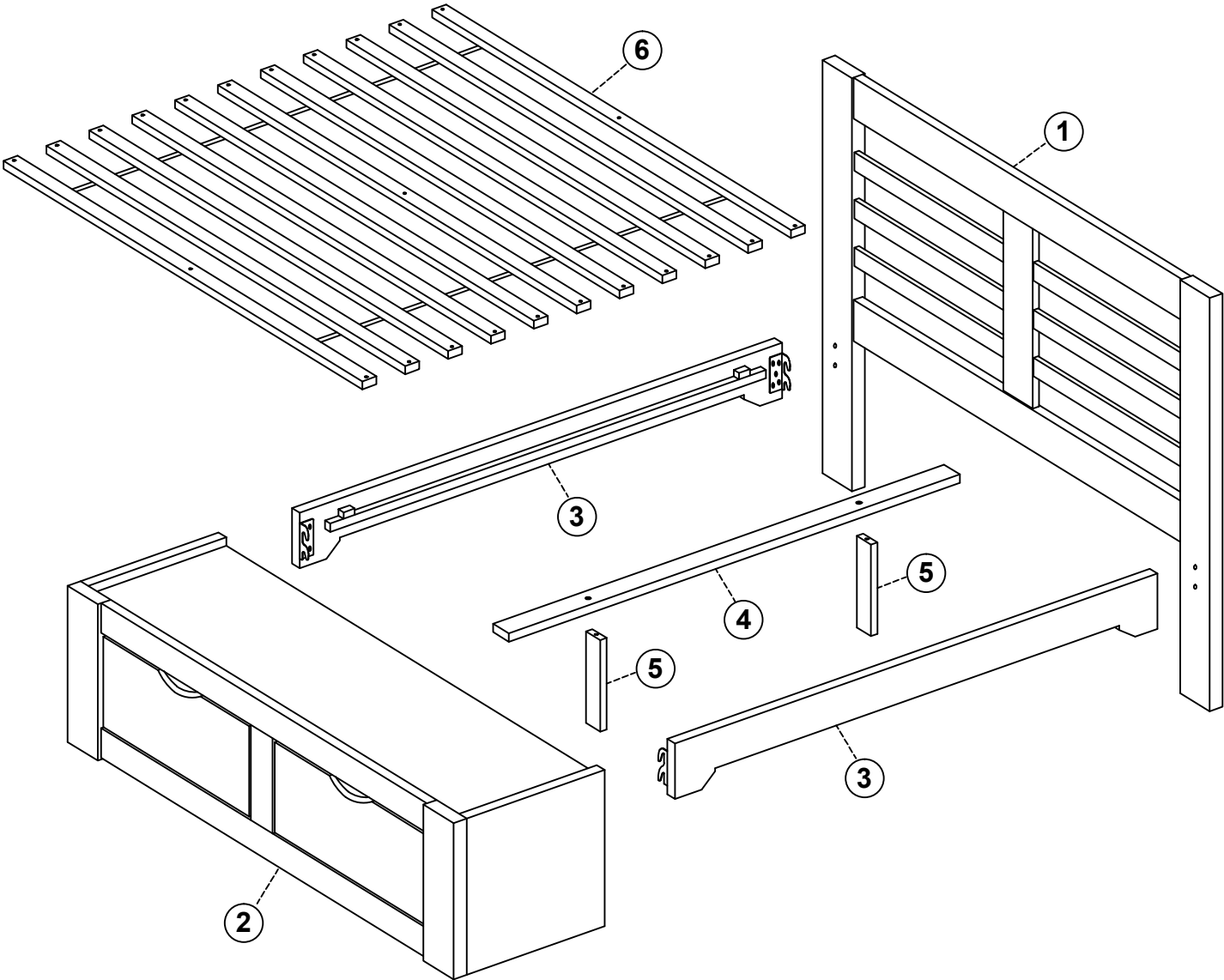
Hardware supplied for assembly

A	BOLT (5/16"x15mm)		8
B	BOLT (1/4"x35mm)		2
C	ALLEN KEY (4mm)		1
D	SCREW (4*30)		25



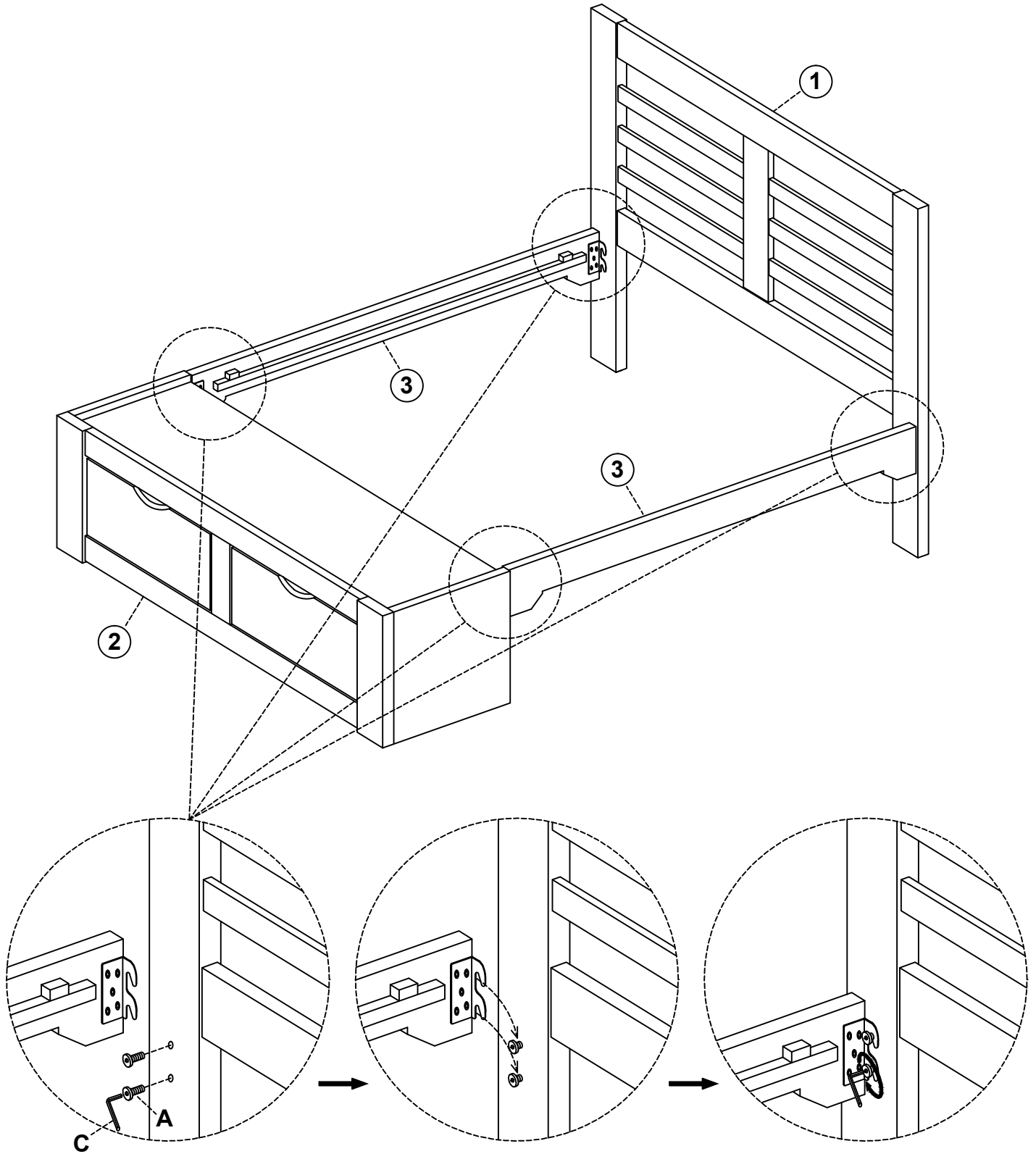
ASSEMBLY INSTRUCTIONS

NEW BRETTON 4'6 BED



ASSEMBLY INSTRUCTIONS

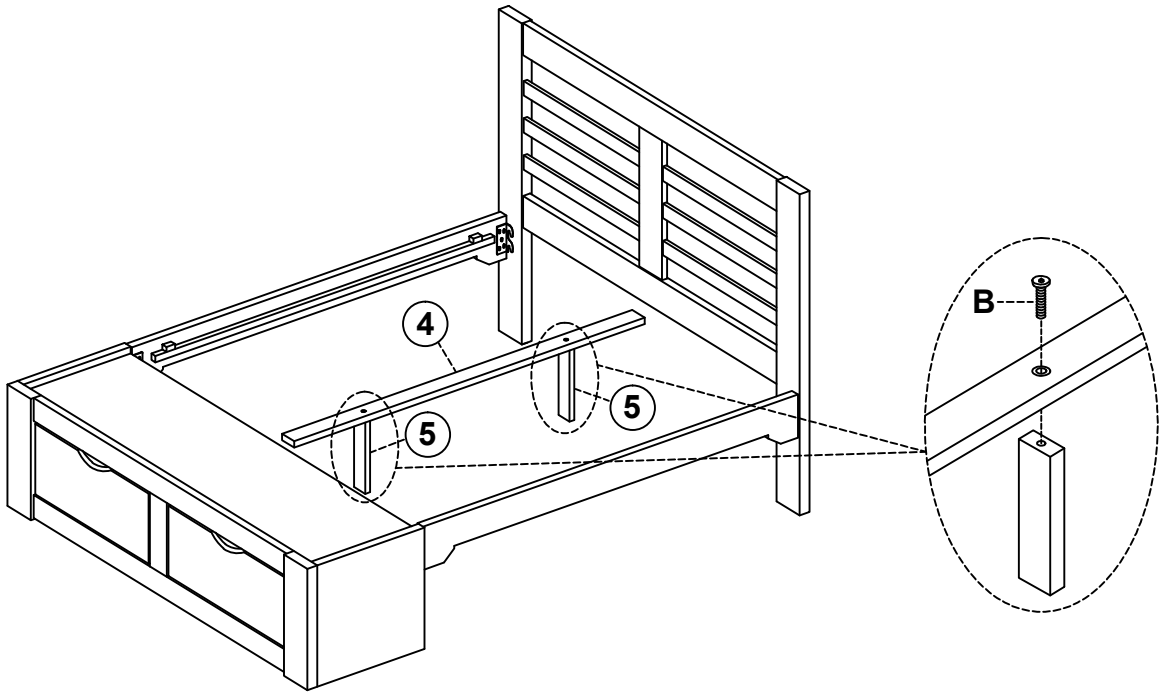
NEW BRETTON 4'6 BED



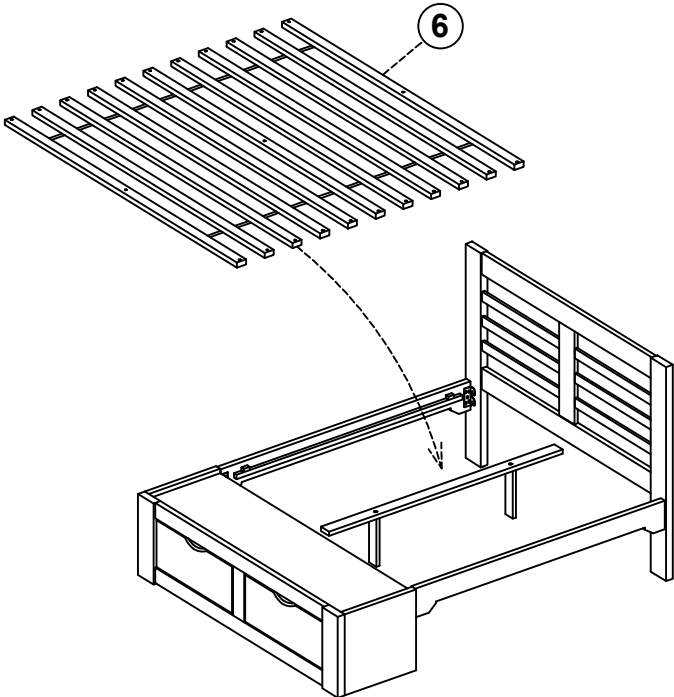
STEP 1

ASSEMBLY INSTRUCTIONS

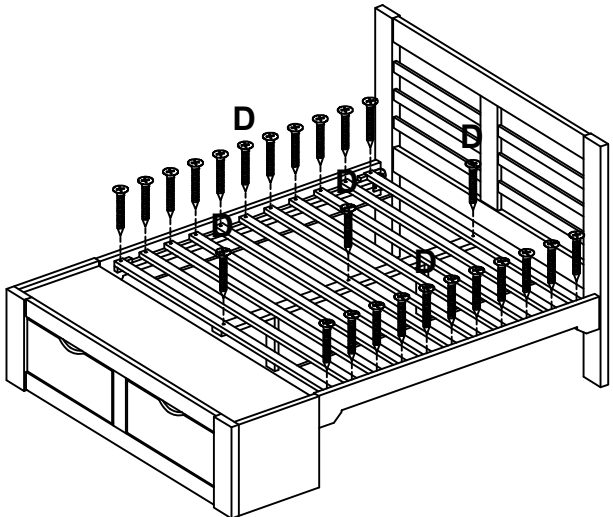
NEW BRETTON 4'6 BED



STEP 2



STEP 3



STEP 4