


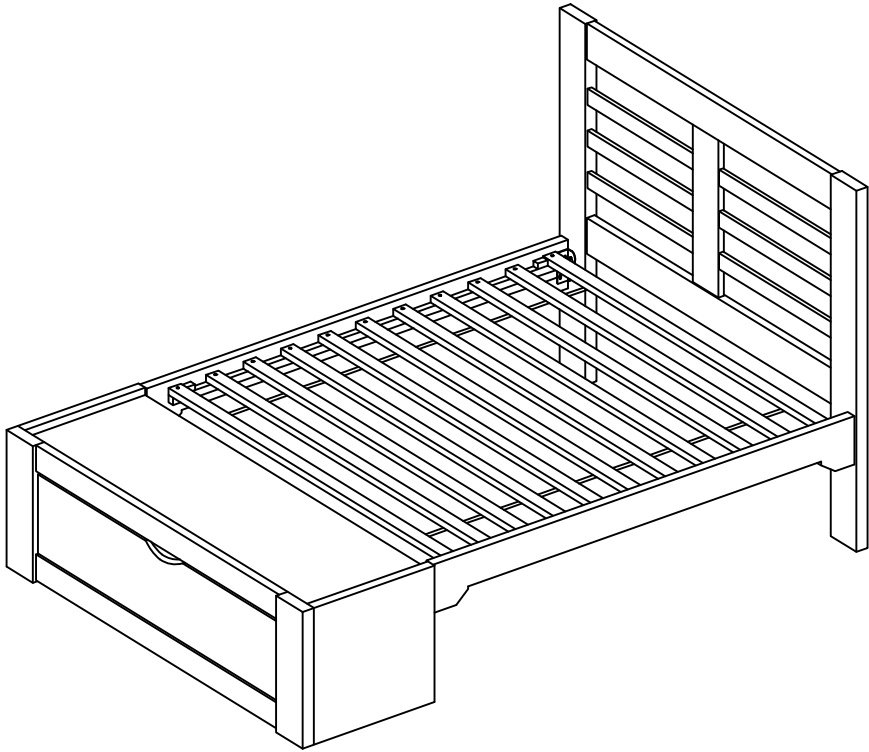


# ASSEMBLY INSTRUCTIONS

## NEW BRETTON 3' BED

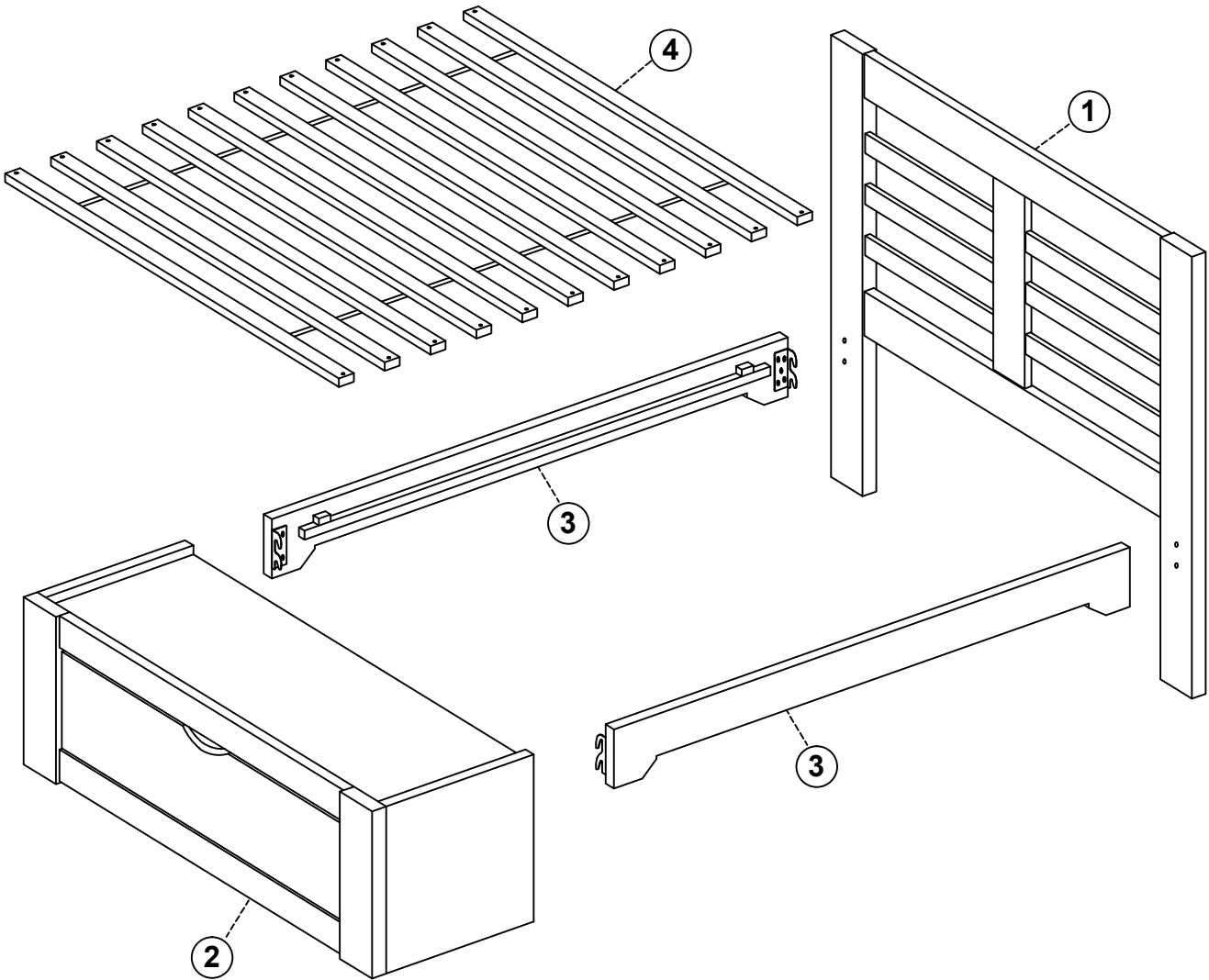
Hardware supplied for assembly

<b>A</b>	<b>BOLT (5/16"x15mm)</b>		<b>8</b>
<b>B</b>	<b>ALLEN KEY (4mm)</b>		<b>1</b>
<b>C</b>	<b>SCREW (4*30)</b>		<b>22</b>



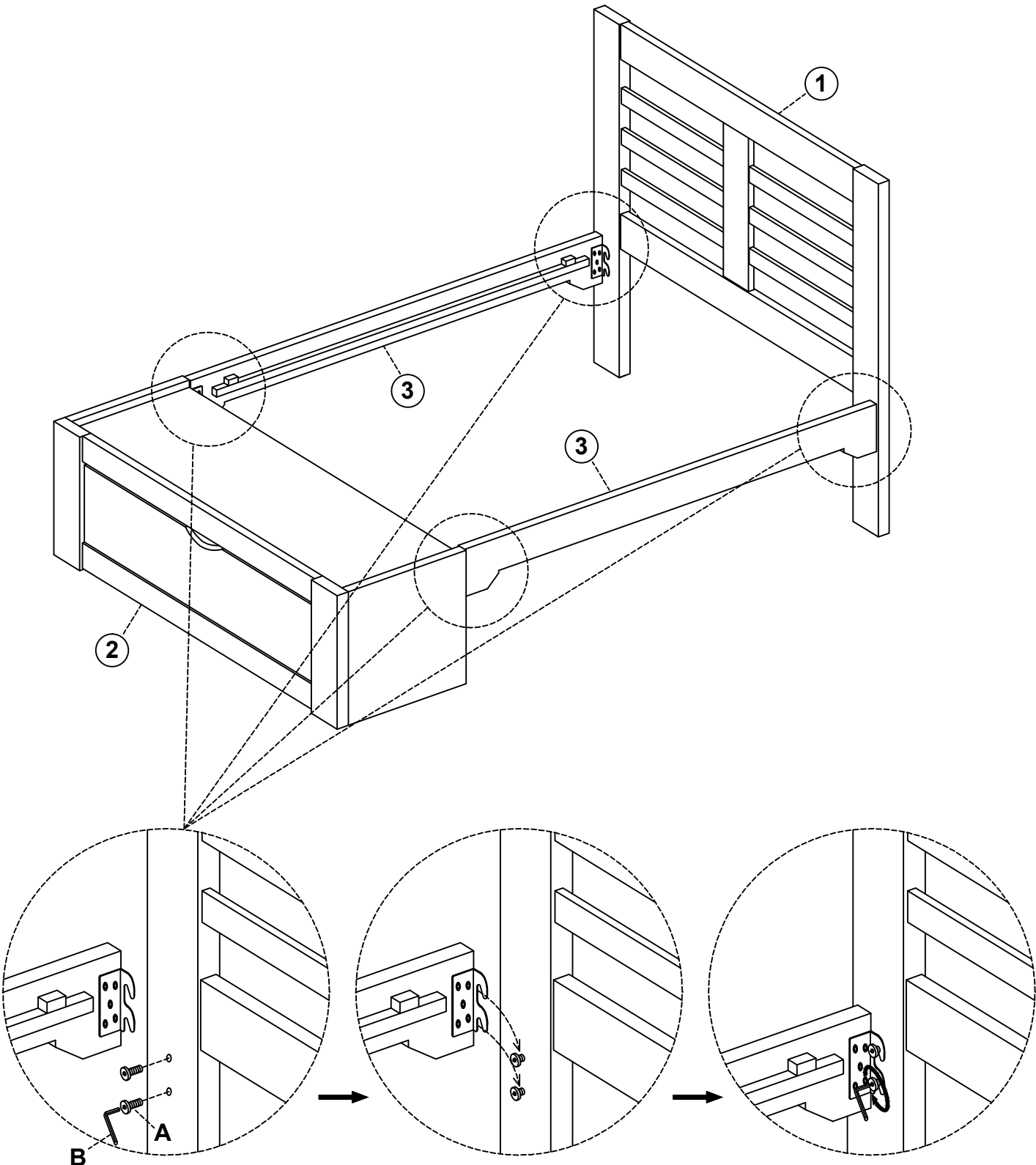
# ASSEMBLY INSTRUCTIONS

## NEW BRETTON 3' BED



# ASSEMBLY INSTRUCTIONS

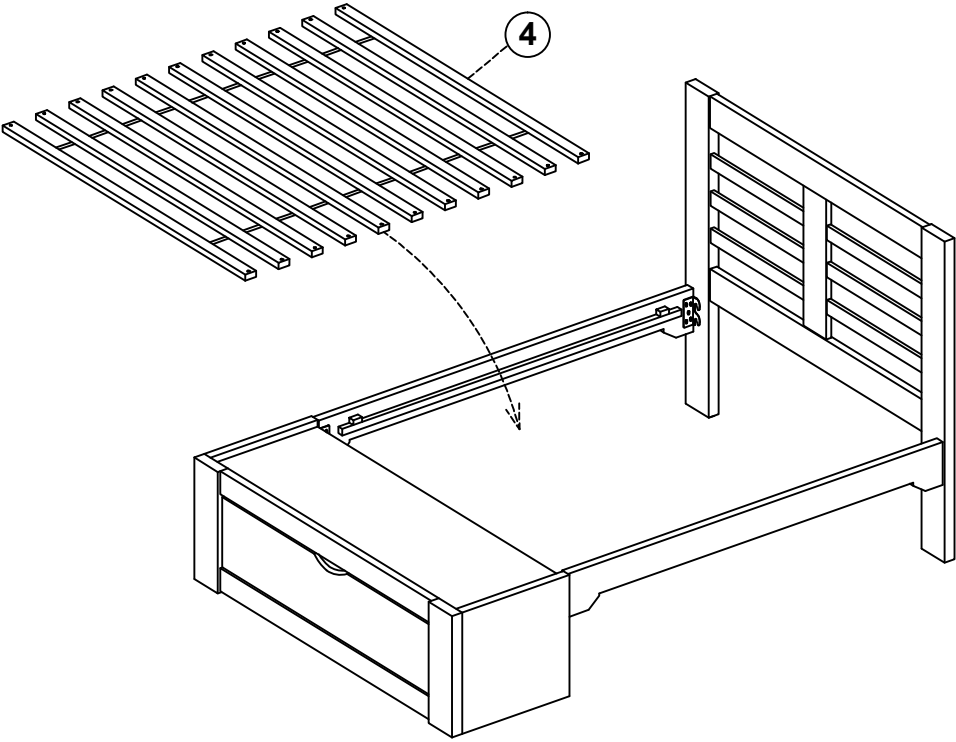
## NEW BRETTON 3' BED



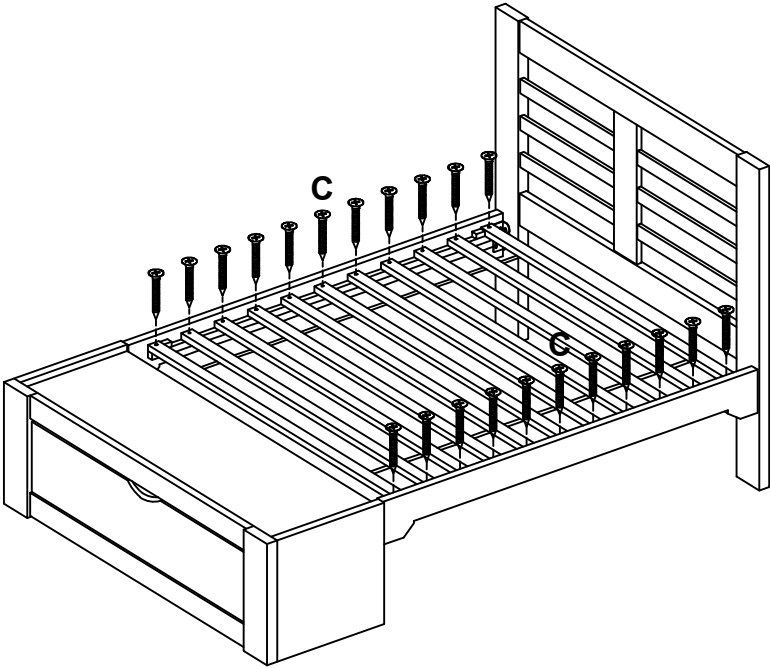
STEP 1

# ASSEMBLY INSTRUCTIONS

## NEW BRETTON 3' BED



**STEP 2**



**STEP 3**