
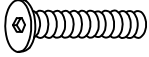



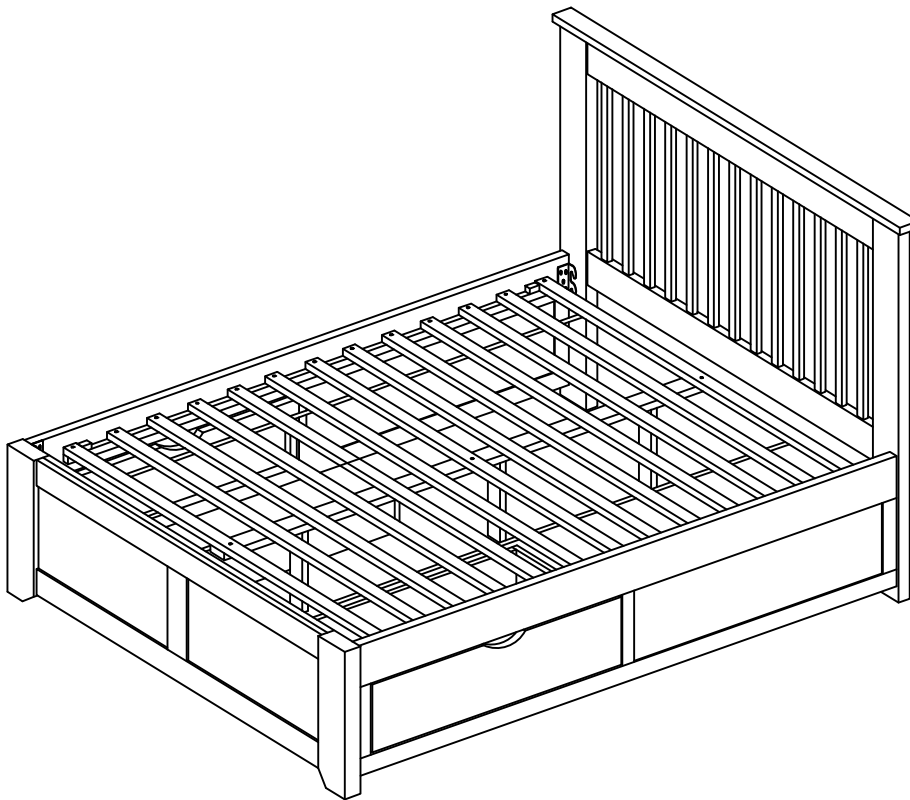


ASSEMBLY INSTRUCTIONS

PENTRE FIXED DRAWER 4'6" / 5' BED

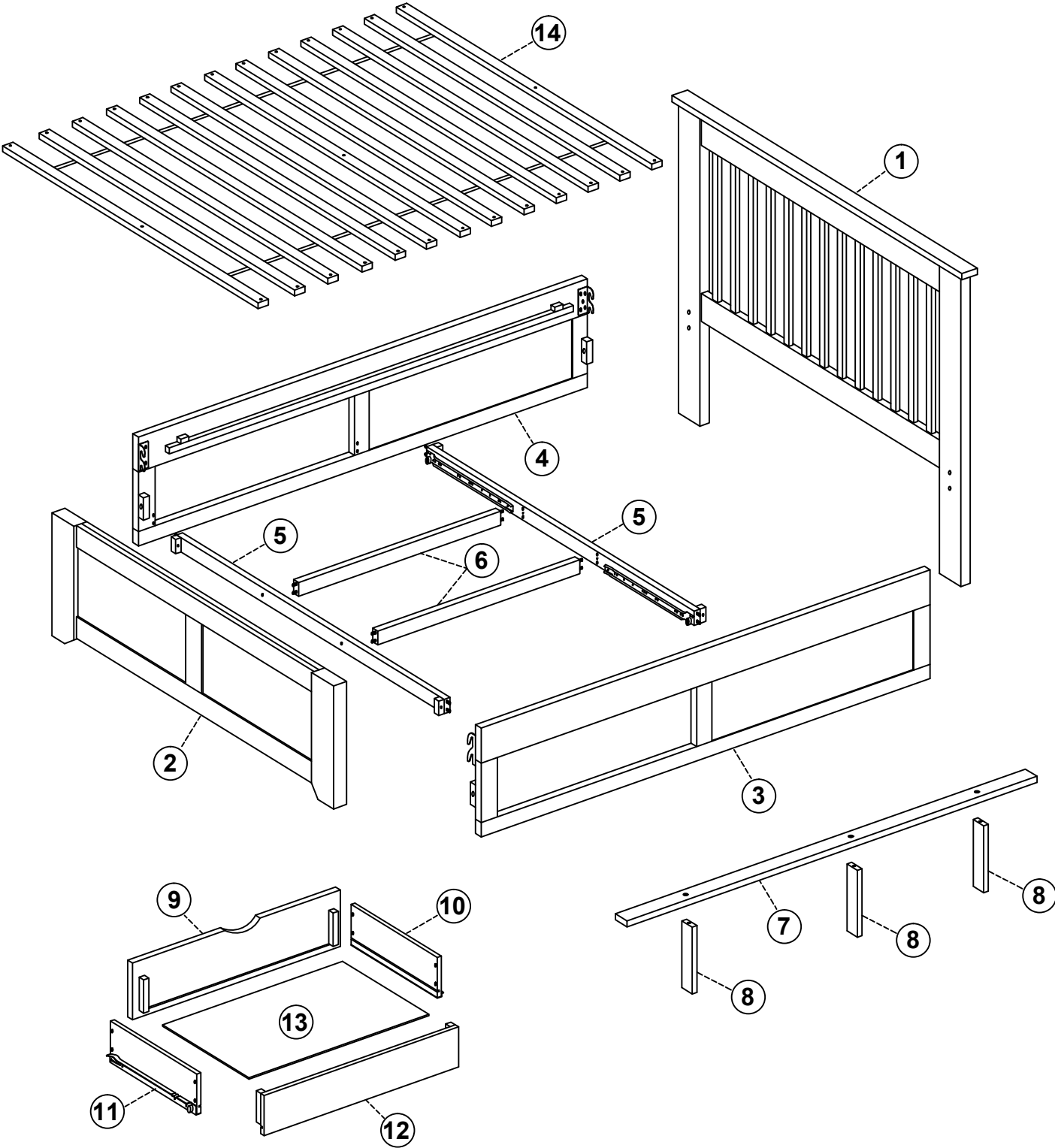
Hardware supplied for assembly

A	BOLT (5/16"x15mm)		8
B	BOLT (1/4"x35mm)		3
C	ALLEN KEY (4mm)		1
D	SCREW (4*30)		41
E	SCREW (4*25)		16



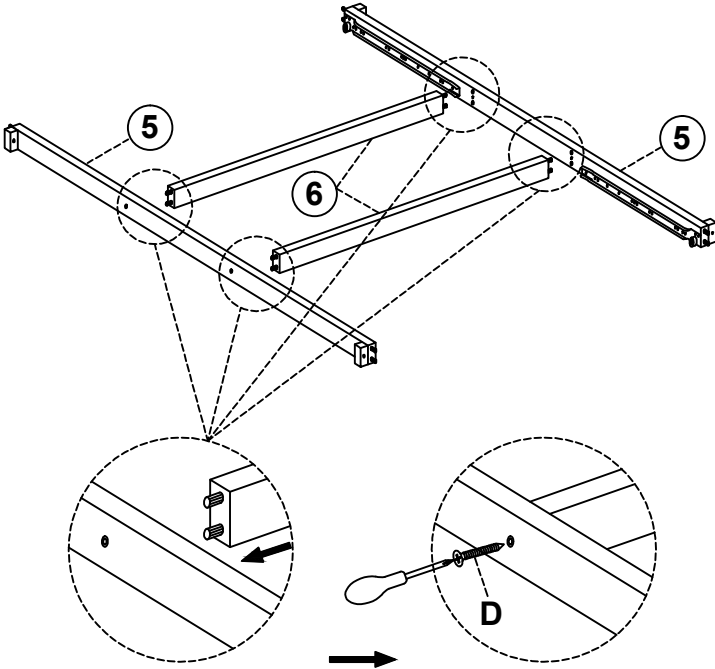
ASSEMBLY INSTRUCTIONS

PENTRE FIXED DRAWER 4'6" / 5' BED

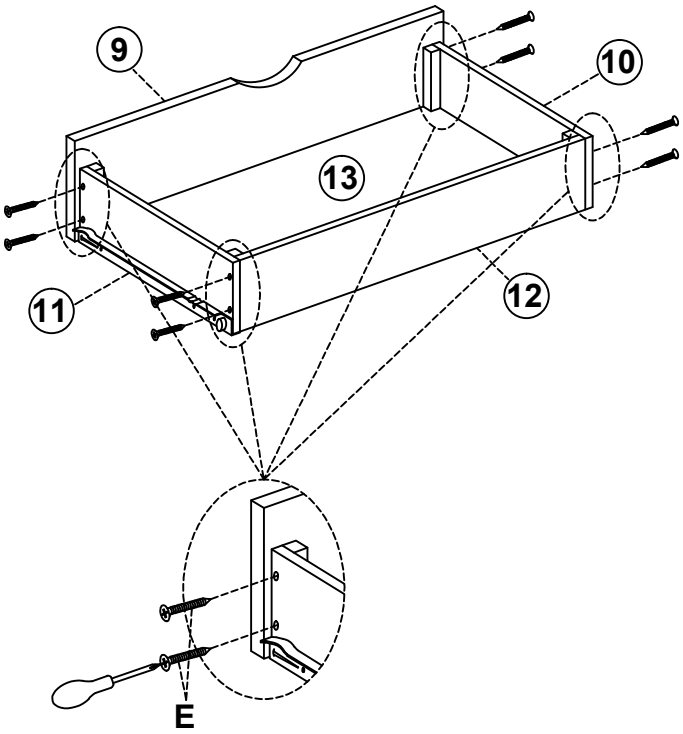


ASSEMBLY INSTRUCTIONS

PENTRE FIXED DRAWER 4'6" / 5' BED



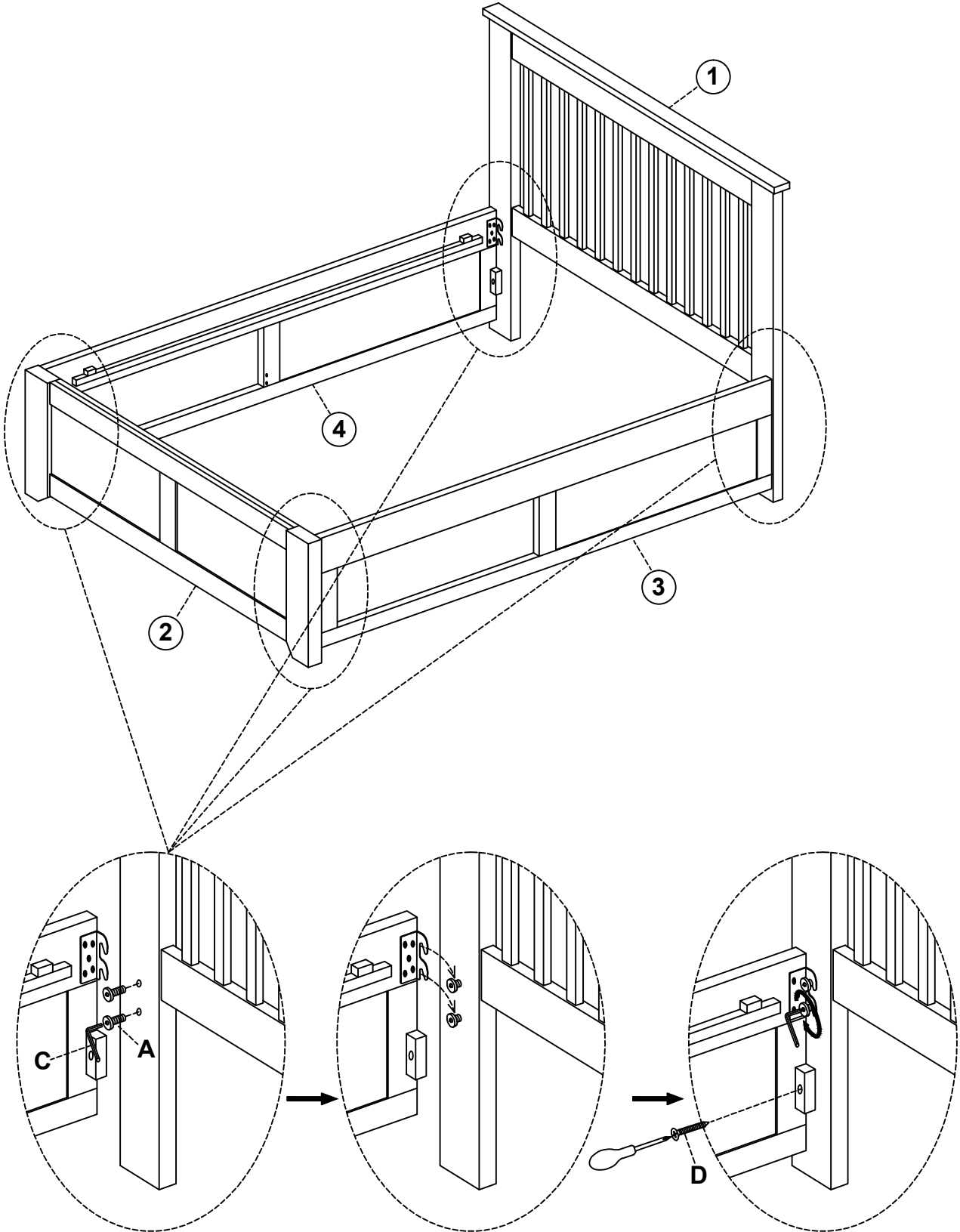
STEP 1



STEP 2

ASSEMBLY INSTRUCTIONS

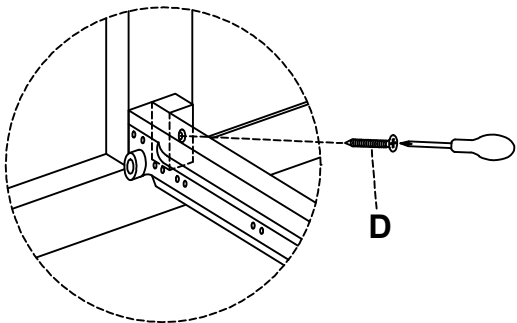
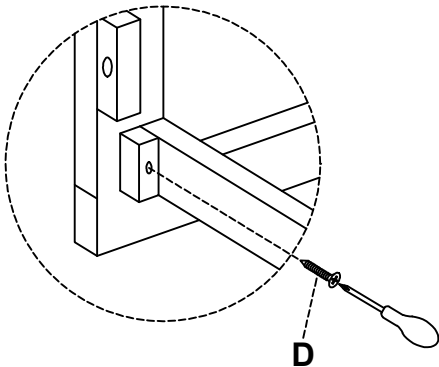
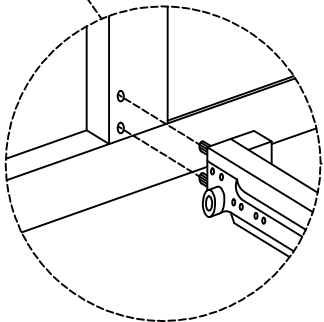
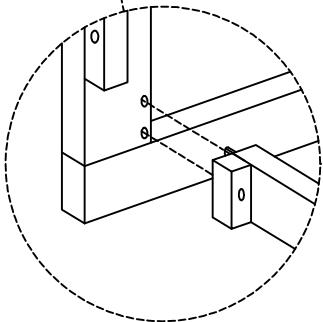
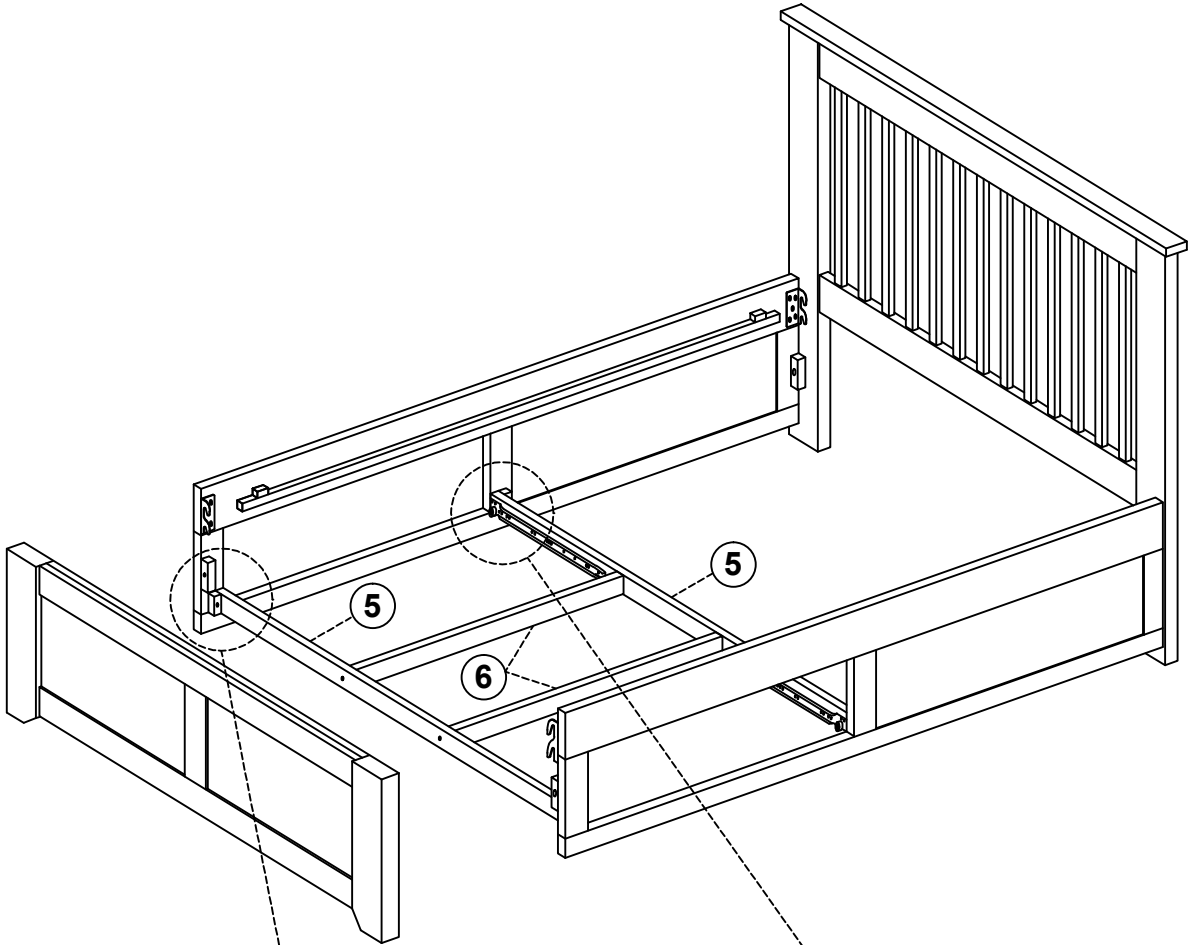
PENTRE FIXED DRAWER 4'6" / 5' BED



STEP 3

ASSEMBLY INSTRUCTIONS

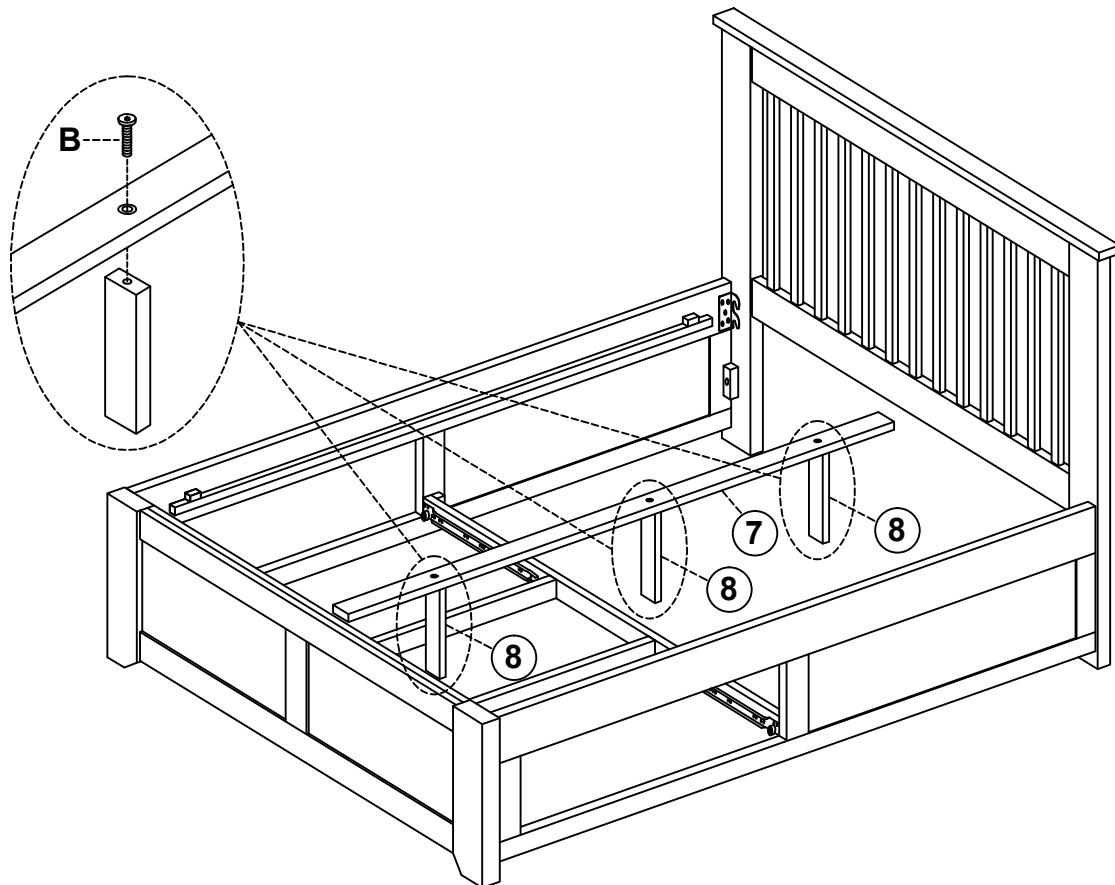
PENTRE FIXED DRAWER 4'6" / 5' BED



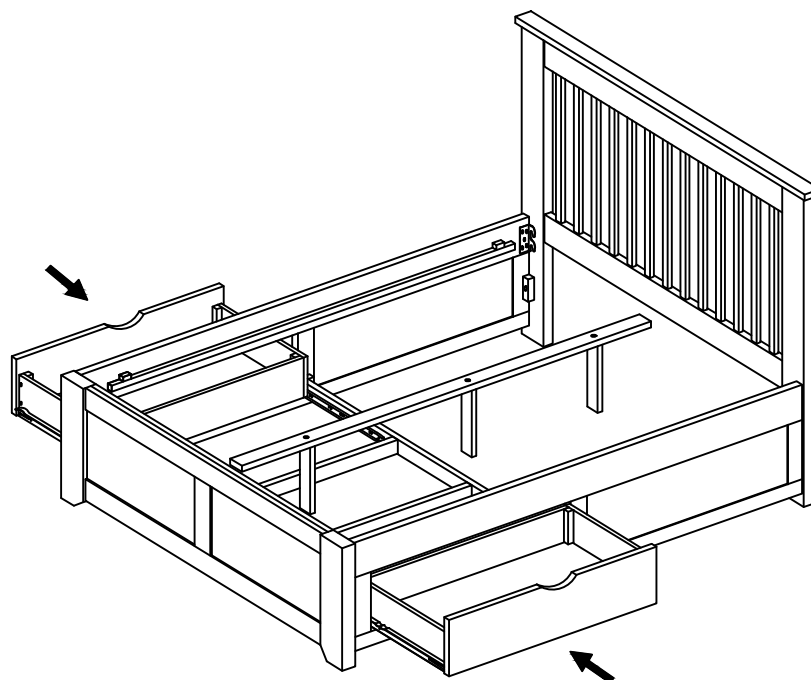
STEP 4

ASSEMBLY INSTRUCTIONS

PENTRE FIXED DRAWER 4'6" / 5' BED



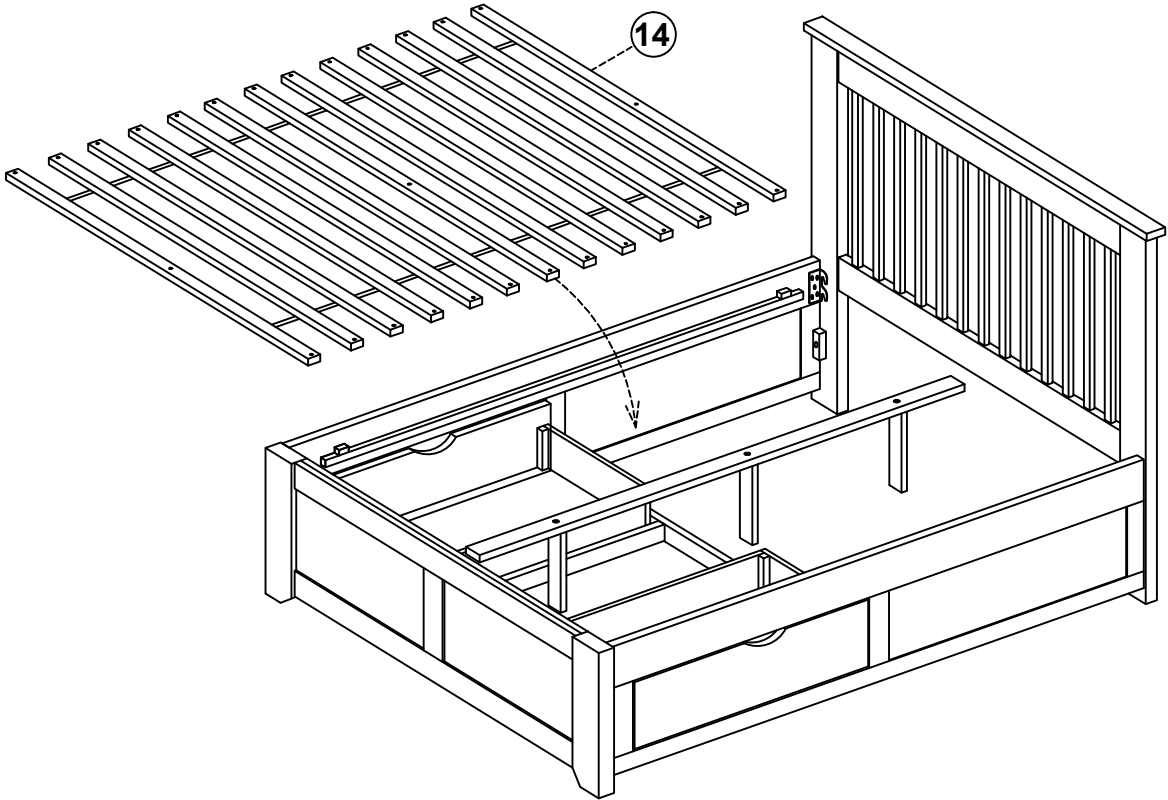
STEP 5



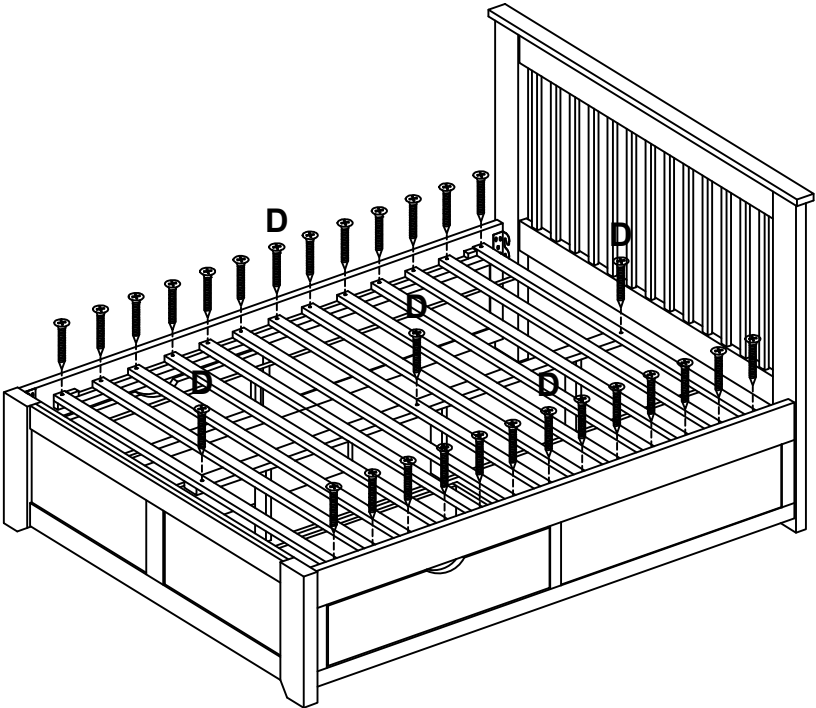
STEP 6

ASSEMBLY INSTRUCTIONS

PENTRE FIXED DRAWER 4'6" / 5' BED



STEP 7



STEP 8