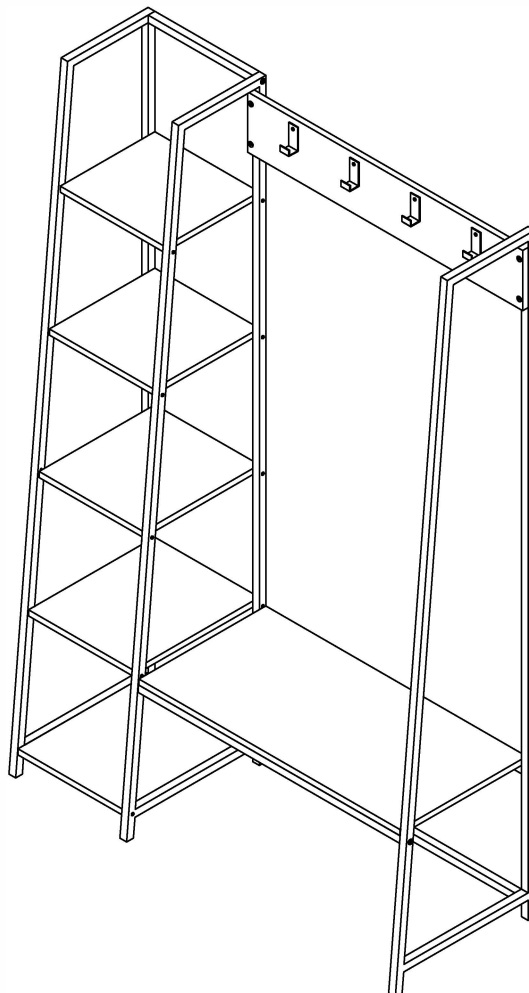


EALING - HALLWAY UNIT LARGE

Assembly Instructions - Please keep for future reference

PLEASE KEEP THE ORIGINAL PACKAGING UNTIL THE ITEM IS FULLY ASSEMBLED AND IN PLACE. IN THE UNLIKELY EVENT THAT YOU NEED TO RETURN YOUR PRODUCT, IT MUST BE RETURNED IN ITS ORIGINAL PACKAGING TO AVOID FURTHER DAMAGE. FAILURE TO COMPLY TO THESE PROCEDURES, NO RETURN'S WILL BE ACCEPTED.



No. people

Assembly Time



1 Hours
(approx.)

" SHOULD IT BE NECESSARY TO RETURN THIS PRODUCT FOR ANY REASON,
IT MUST BE RETURNED IN ITS ORIGINAL PACKAGING"

Important: Read carefully

- Please check you have all parts listed on your assembly sheet. In the unlikely event that any parts are missing, please contact your retailer immediately.
- Do not use any other tools than those listed on your assembly sheet / tools provided. Use of power tools could damage your product and returns would not be accepted back in these circumstances. Use of power tools could also make your product unsafe due to overtightening.
- Depending on the amount of use your product receives, it may be necessary to tighten the fixings from time to time.
- Assemble your product on a soft surface to avoid scratching and also preferably in the room intended for use to avoid having to move the product unnecessarily once assembled.
- For cleaning please use a clean damp cloth or duster. Use of abrasive or chemical cleaners will most likely scratch or damage the surface of your product. We do not accept returns for damages arising from incorrect care of products.
- Please keep the original packing until your item is fully assembled and in place. In the unlikely event you need to return your product. It must be returned back in its original packing to avoid any damage.
- The surface of this item is not heat resistant. Please use a mat under hot, cold or wet items to prevent marking.

WARNING !

IMPORTANT - IN ORDER TO HELP PREVENT OVERTURNING, THIS PRODUCT MUST BE USED WITH THE WALL ANTI-TOPPLE STRAP / DEVICE PROVIDED.

To help prevent product toppling over please follow the below steps :

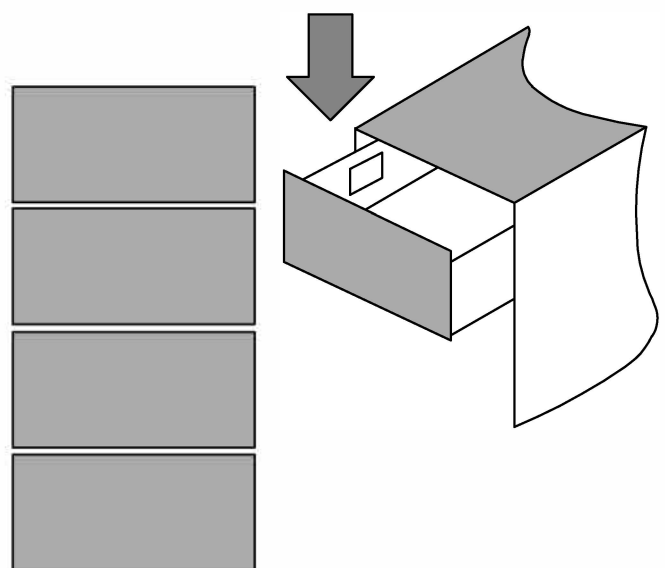
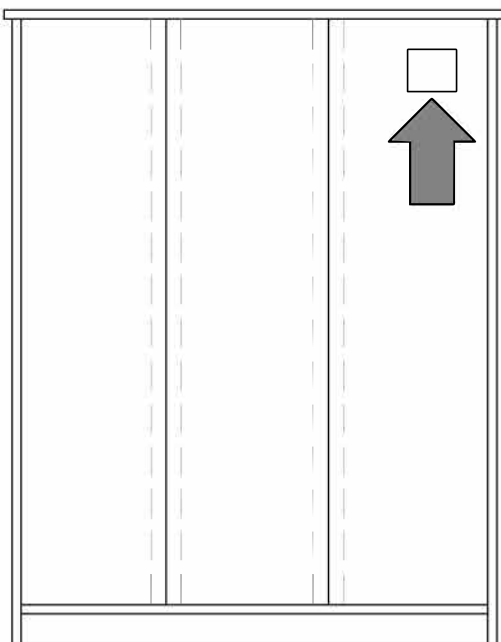
- Young children may get injured by furniture tipping over.
- You must use the anti-topple strap / device provided.
- Do not allow children to climb or hang on the furniture.
- Do not open more than one drawer at a time.
- Do not place heavy items in the top drawer.
- Do not place heavy items on the top of furniture.

Please note that only the anti-topple strap / device and screws are provided, you will need to provide the wall plugs and screws which are applicable for your wall type.

PLEASE DO NOT REMOVE THE PERMANENT SAFETY LABEL FROM YOUR FURNITURE!

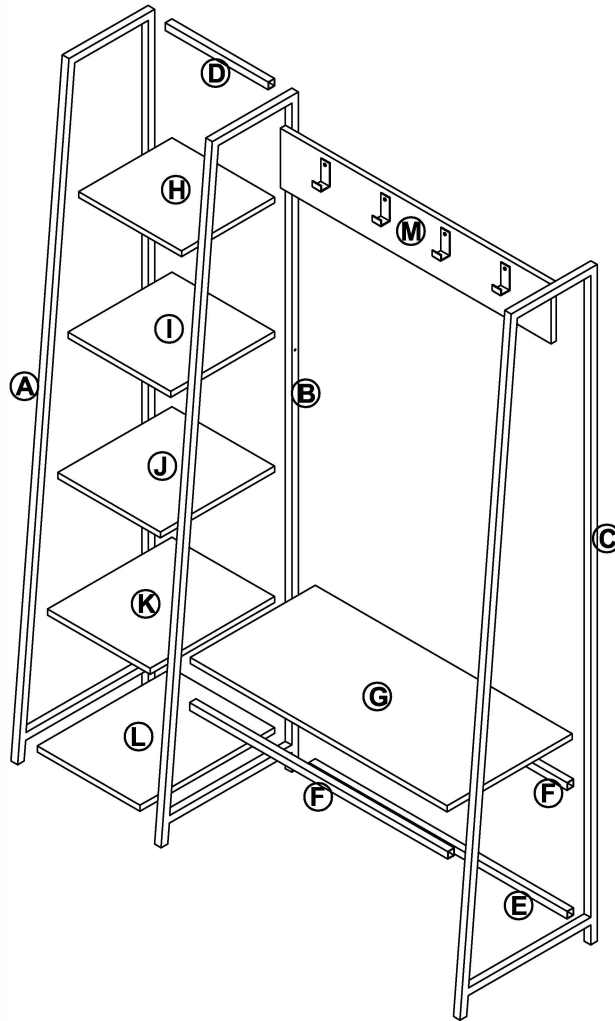
Permanent Label Assembly Location

1. Wardrobe/Bookcase/Cabinet without Drawer :
On the backside of back panel and not visible.
2. Chest of Drawer/sideboard/Unit with Drawer :
Top drawer on the inside side of drawer wrap.



Note: For uncommon furniture design, the location of safety permanent label may differ.

Exploded View



Components - Panels

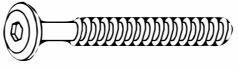


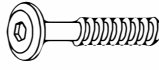

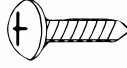



Please check that you have all the components listed below before constructing your items.

Part No	Description	Qty
A	Side Frame - L	1
B	Center Frame	1
C	Side Frame - R	1
D	Horizontal Bar - Short	1
E	Horizontal Bar - Long Bottom	1
F	Horizontal Bar - Long Top	2
G	Shelf - Long	1
H	Shelf - Short 1	1
I	Shelf - Short 2	1
J	Shelf - Short 3	1
K	Shelf - Short 4	1
L	Shelf - Short 5	1
M	Hanger Panel	1

Components - Fixings

Please check that you have all the components listed below before constructing your items.

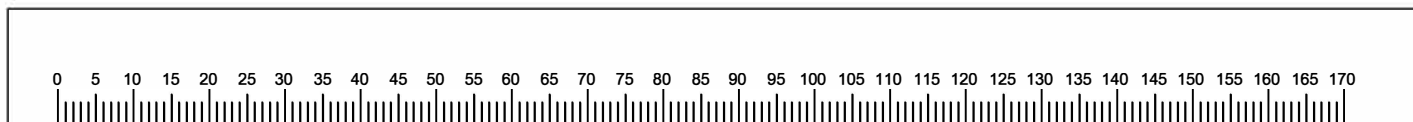
Note: The quantities below are the correct amount to complete the assembly. In some cases more fittings may be supplied than are required.

(A)	JCBC M6x30mm  8 units	(B)	P/H Screw M4x38mm  20 units	(C)	P/H Screw M4x32mm  4 units	(D)	JCBC M6x25mm  4 units
(E)	Screw M3.5x25mm  2 unit	(F)	P/H Screw M4x12mm  4 units	(G)	Safety Strap + Washer  2 unit	(H)	Bracket  4 unit
(I)	Allen Key M4  1 unit						

Tools Required

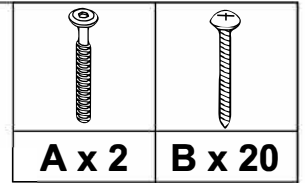
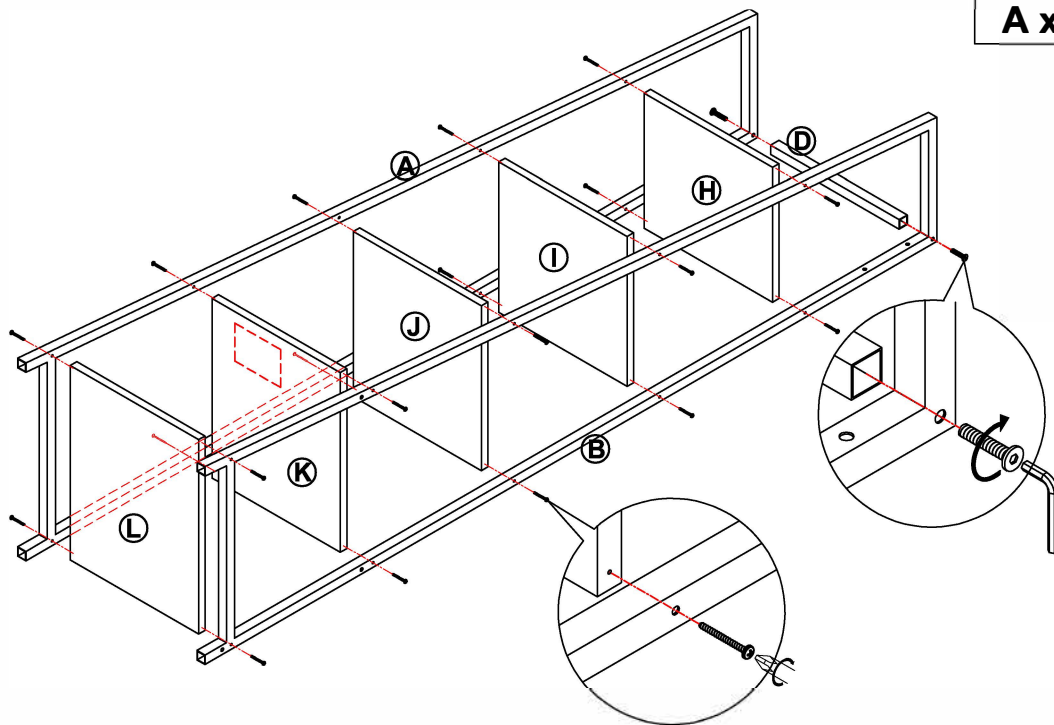


Ruler - Use this to measure your screws (mm)

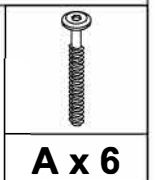
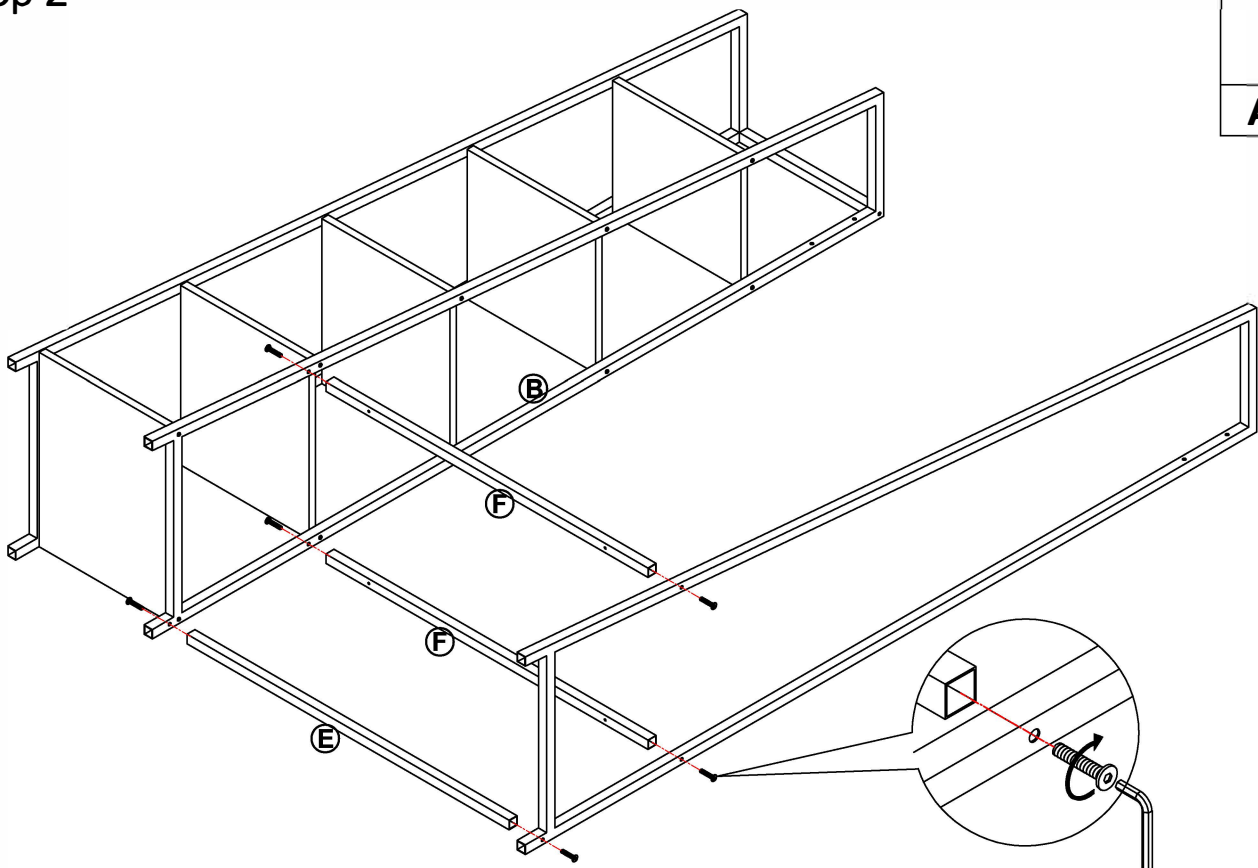


Assembly Instructions

Step 1



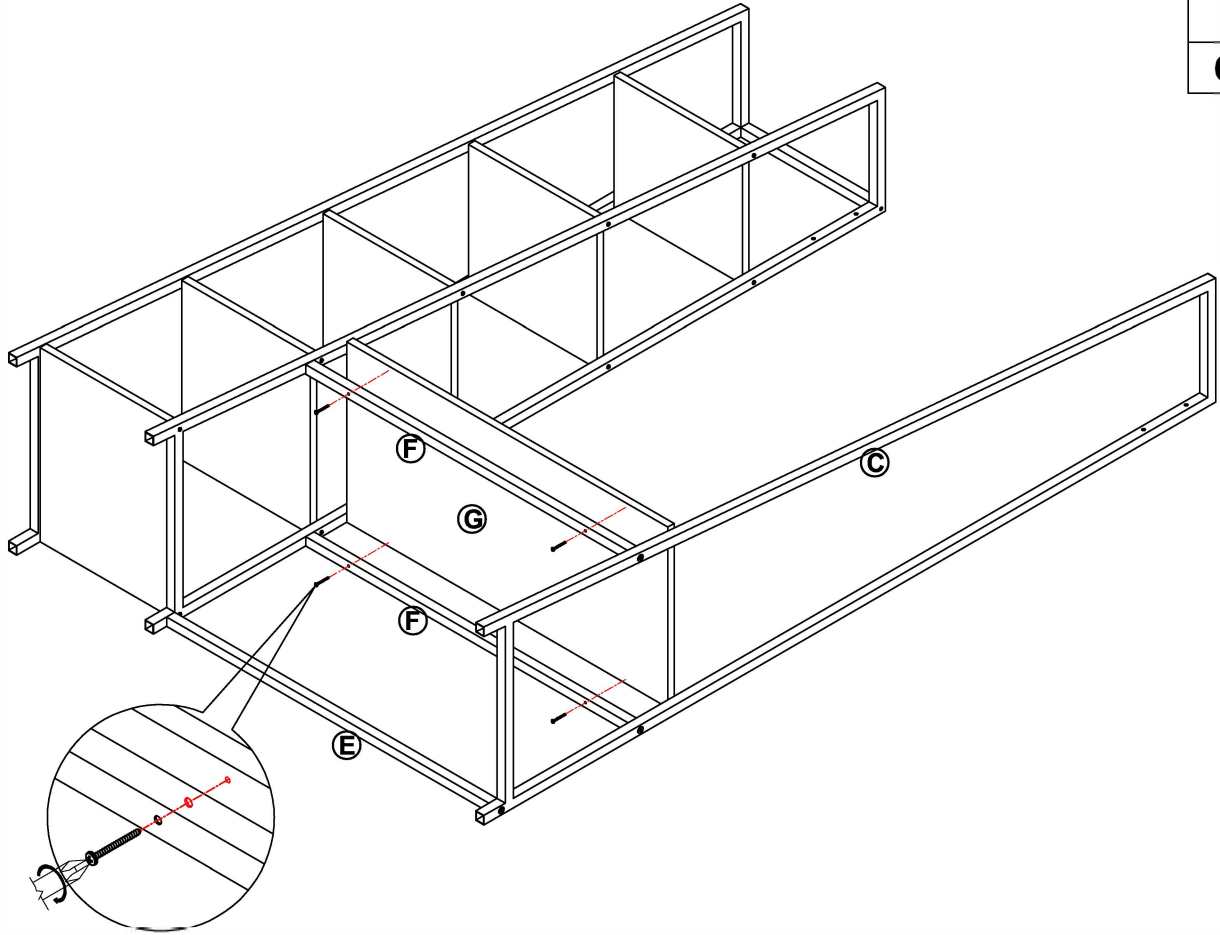
Step 2



Step 3



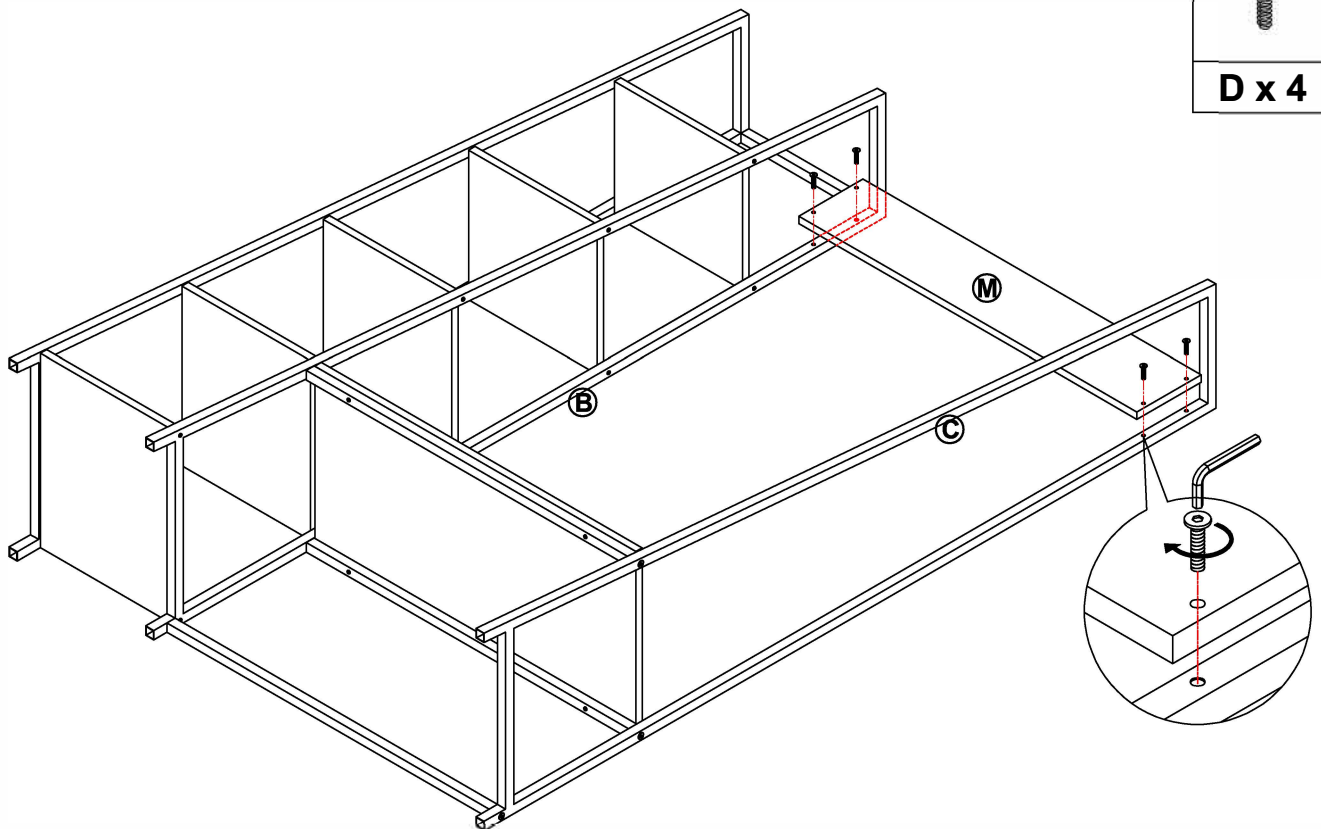
C x 4



Step 4



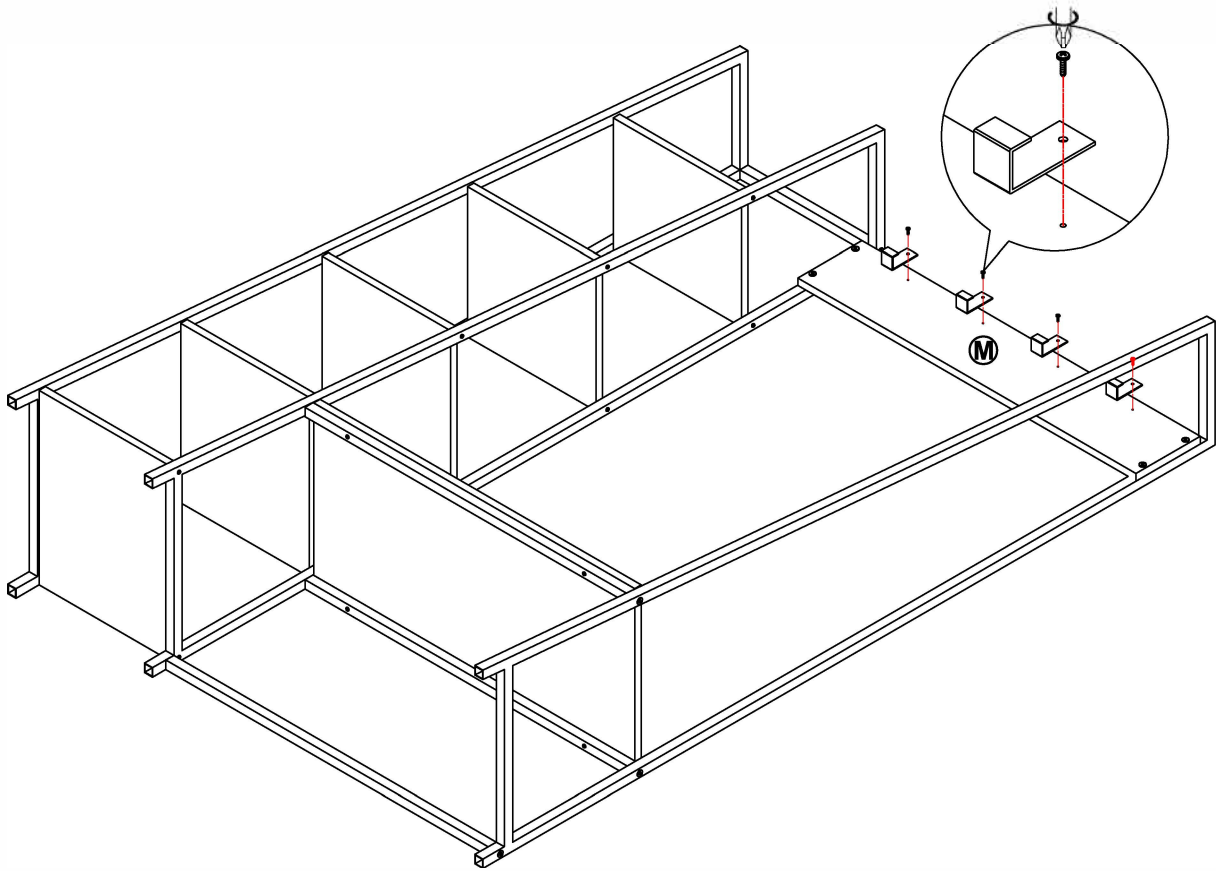
D x 4



Step 5



F x 4



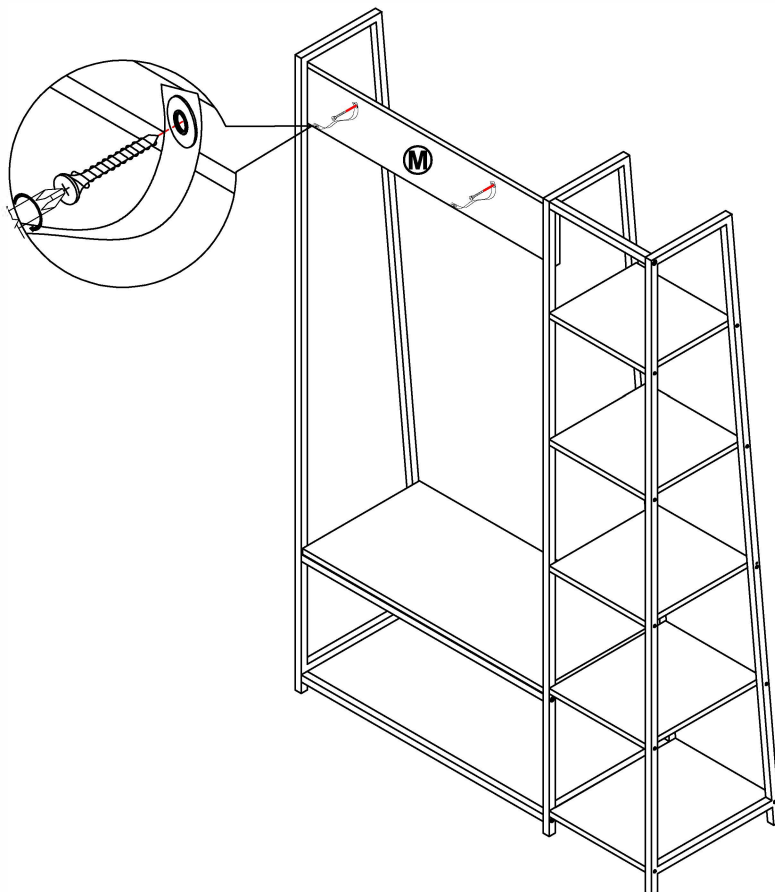
Step 6



G x 2

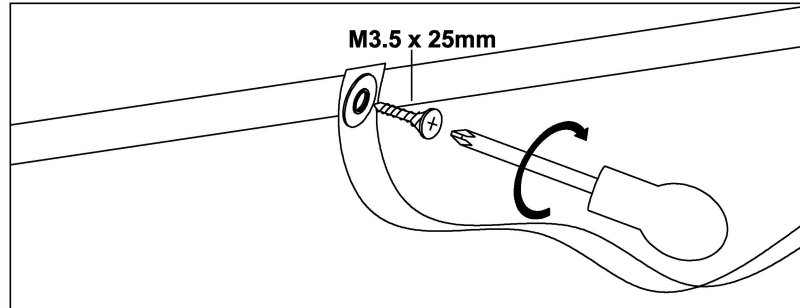


E x 2

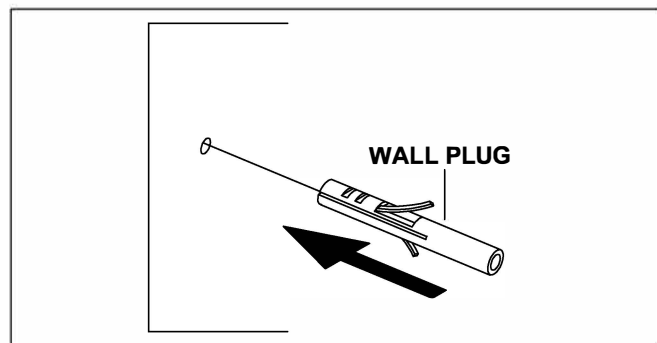


FITTING OF ANTI-TIP SAFETY STRAP

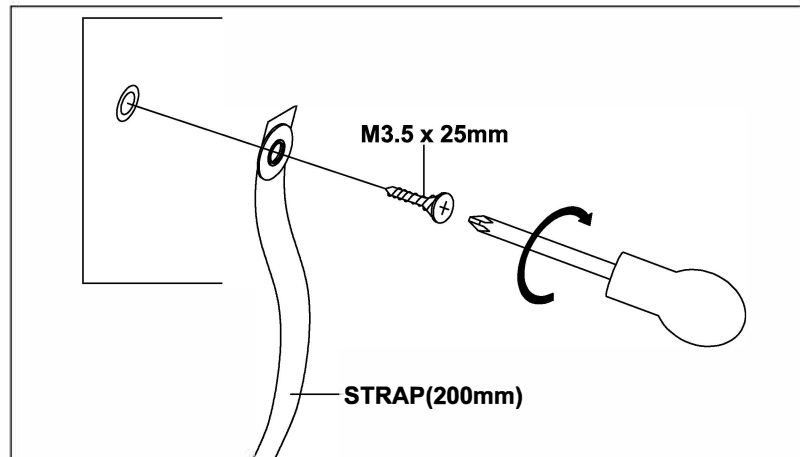
STEP 1:
Pull the screw in the top panel hole of your furniture



STEP 2:
Make a hole on the wall and pull the wall plug in



STEP 3:
Pull the screw in the wall plug hole



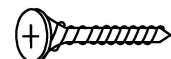
NOTE: Wall fixing are not supplied with this product as different wall materials require different types of fixing devices (such as Raw plugs on brick walls). You must use fixing devices suitable for the type of wall you intend to mount this product to. Please ensure that the head of any screw used has a diameter greater than the diameter of the mounting hole on the product and that the fixing is safe and secure before use.

The brackets and screws which to fix the brackets on to the furniture are provided only.

HARDWARE LIST



STRAP(200mm) -1Pc



M3.5 x 25mm -1Pc