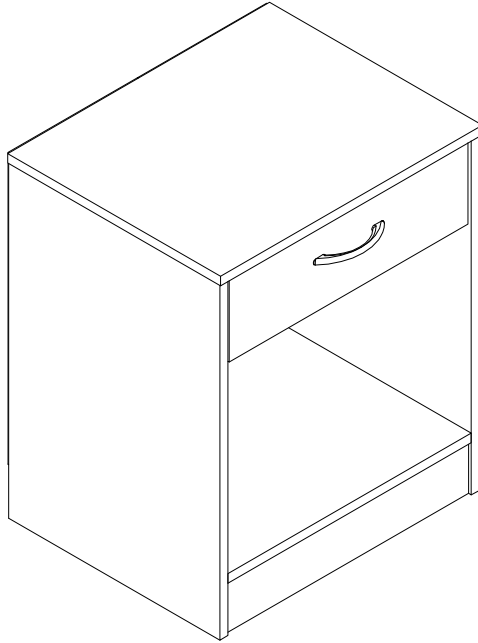


# Delta Bedside Table



## IMPORTANT

### PLEASE READ BEFORE YOU CONTINUE FURTHER

THE PRODUCT YOU HAVE PURCHASED WILL GIVE YOU MANY YEARS OF SERVICE IF YOU FOLLOW THE GUIDELINES FOR ITS SAFE ASSEMBLY AND PERIODIC MAINTENANCE AND CLEANING.

ASSEMBLE ON A SOFT CLEAN SURFACE.

DO NOT USE ANY TOOLS OTHER THAN THOSE SHOWN.

ANY SPANNERS OR ALLEN KEYS REQUIRED ARE INCLUDED WITH THE FITTINGS KIT.

DO NOT FOR ANY REASON USE A POWER TOOL TO ASSEMBLE THIS PRODUCT. ITS USE WILL INVALIDATE ANY CLAIM YOU MAY HAVE AND COULD MAKE THIS PRODUCT UNSAFE.

DEPENDING ON THE AMOUNT OF USE THIS PRODUCT RECEIVES IT MAY BE NECESSARY TO TIGHTEN UP THE FIXINGS FROM TIME TO TIME. THIS IS COMPLETELY NORMAL FOR ANY FLAT PACK FURNITURE.

**DO NOT OVERTIGHTEN FIXINGS** AS THIS COULD CAUSE DAMAGE / SPLITTING TO COMPONENTS. RETURNS WILL NOT BE ACCEPTED DUE TO DAMAGE DURING ASSEMBLY.

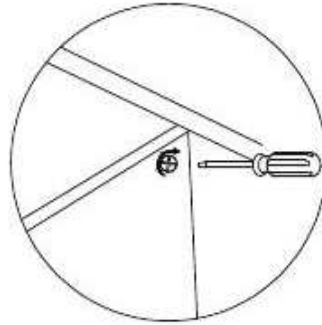
FOR CLEANING, YOU MAY USE A DAMP CLOTH (NOT WET).

THE SURFACE OF THIS ITEM IS NOT HEAT RESISTANT. ALWAYS USE A PLACE MAT UNDER HOT OR COLD ITEMS TO PREVENT MARKING.

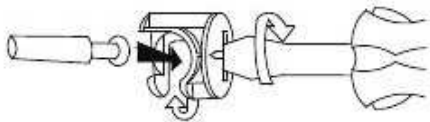


(Screwdriver not provided)

Use a flat blade screwdriver to tighten the cam nuts. A quarter turn clockwise is all that is needed.



This is how a cam nut works....

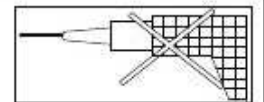


The head of the bolt goes into the wide mouth of the cam nut. You then turn the nut so the narrow part closes over the bolt.

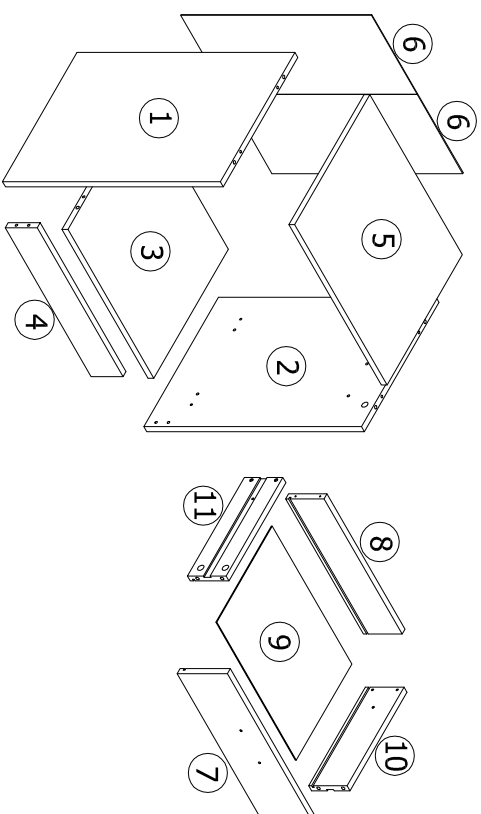
## TWO PERSONS REQUIRED TO ASSEMBLE THIS PRODUCT

1. Please check that you have all the parts listed before you start assembling. If you do find that something is missing, do not continue assembly. Please contact your supplier immediately.
2. Lay out all of the components on a soft surface as if you were preparing to do a jigsaw puzzle.
3. Separate and identify each component, from the hardware pack and rest each one in its proper location before fastening.

THE USE OF POWER TOOLS TO ASSEMBLE THIS PRODUCT WILL INVALIDATE ANY CLAIM AND MAY DAMAGE THIS PRODUCT MAKING IT UNSAFE

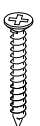
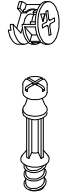









# PARTS LIST

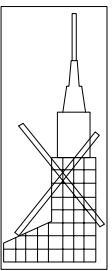


1	LEFT HAND SIDE PANEL	1 PC					
2	RIGHT HAND SIDE PANEL	1 PC					
3	BOTTOM PANEL	1 PC					
4	BOTTOM CROSS BAR	1 PC					
5	TOP PANEL	1 PC					
6	BACK PANEL	2 PCS					
7	DRAWER FRONT	1 PC					
8	DRAWER BACK	1 PC					
9	DRAWER BOTTOM	1 PC					
10	DRAWER RIGHT HAND SIDE PANEL	1 PC					
11	DRAWER LEFT HAND SIDE PANEL	1 PC					

## HARDWARE LIST

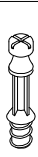



a		C/B SCREW M4 X 38mm	4 PCS
b		L35mm CAM & BOLT	12 SETS
c		HANDLE & SCREW	1 SET
d		DRAWER STOPPER	2 PCS
e		C/B SCREW M3.5 X 12mm	4 PCS
f		BACK PANEL NAIL	12 PCS
g		Ø6 X 25mm DOWEL	12 PCS
h		RUNNER SET	2 PCS
i		GLIDER WITH NAILS	4 PCS

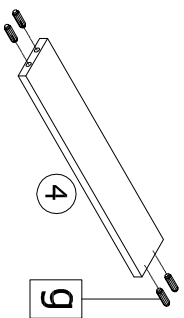
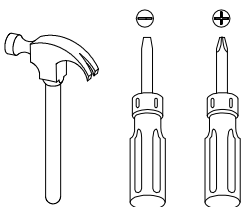
THE USE OF POWER TOOLS TO ASSEMBLE THIS PRODUCT WILL INVALIDATE ANY CLAIM AND MAY DAMAGE THIS PRODUCT MAKING IT UNSAFE



**STEP 1**

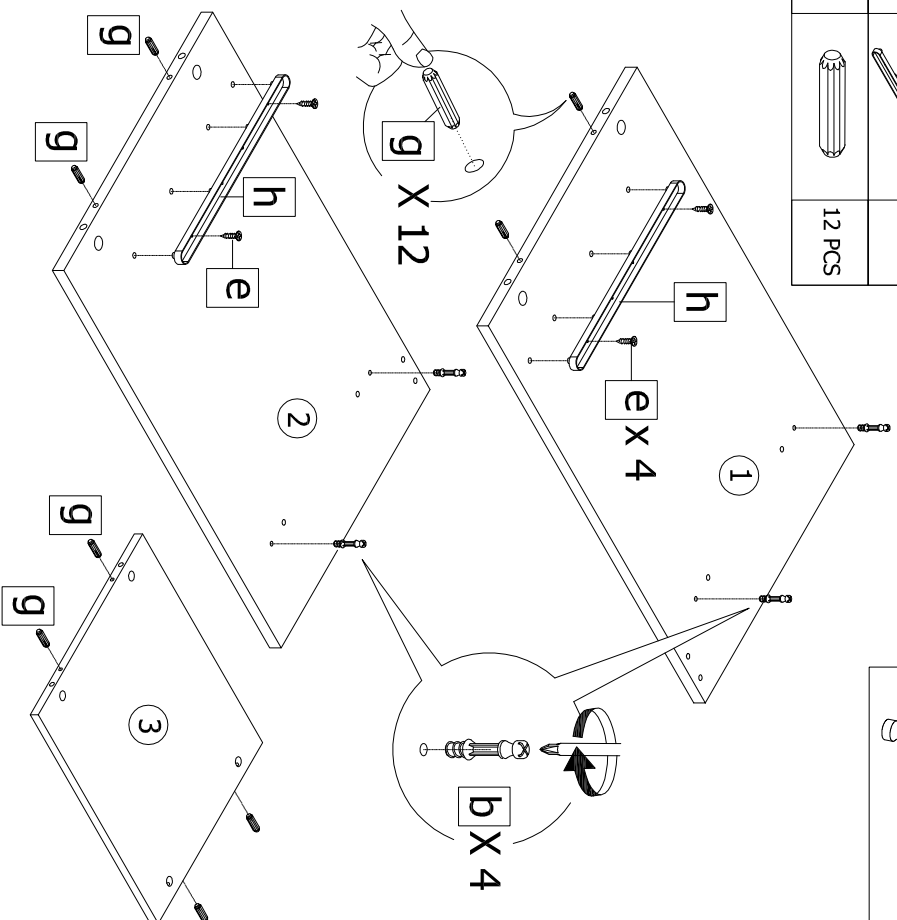
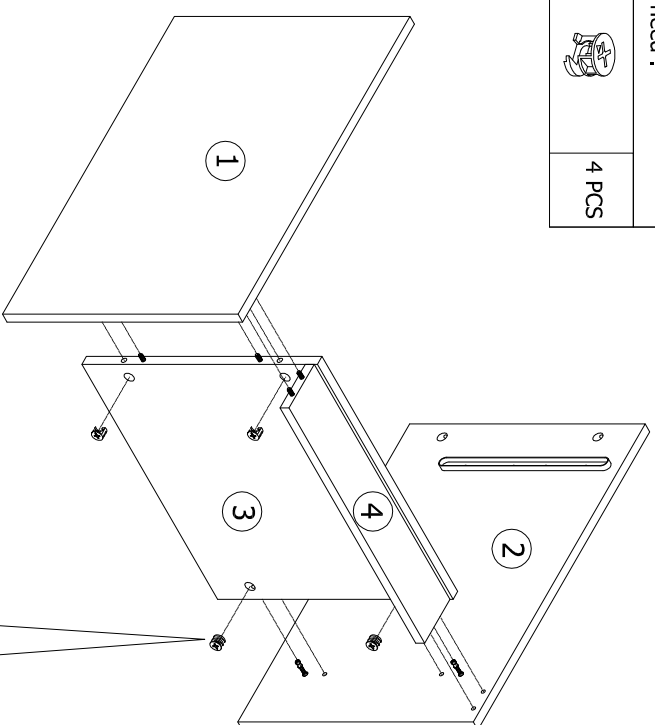
You will need :-

b		4 PCS
e		4 PCS
h		2 PCS
g		12 PCS

**NOT Provided****STEP 2**

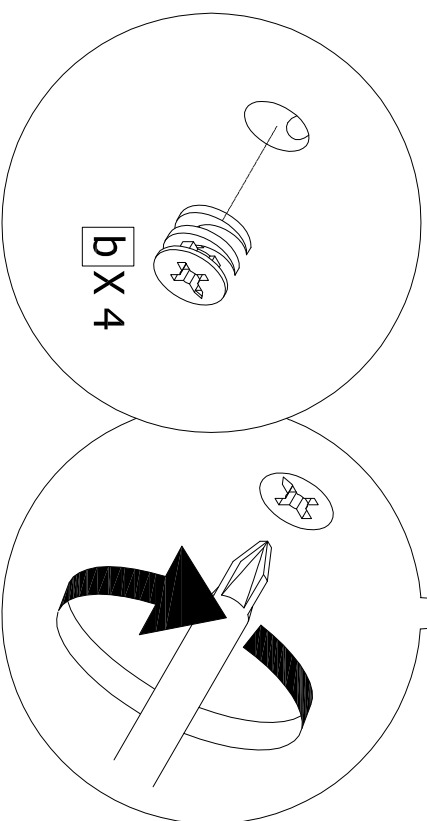
You will need :-

b		4 PCS
---	---	-------

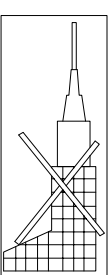


When inserting the cam nuts, rotate the cam nuts so the arrow points towards the incoming cam bolts.

When inserting the cam nuts, rotate the cam nuts so the arrow points towards the incoming cam bolts.




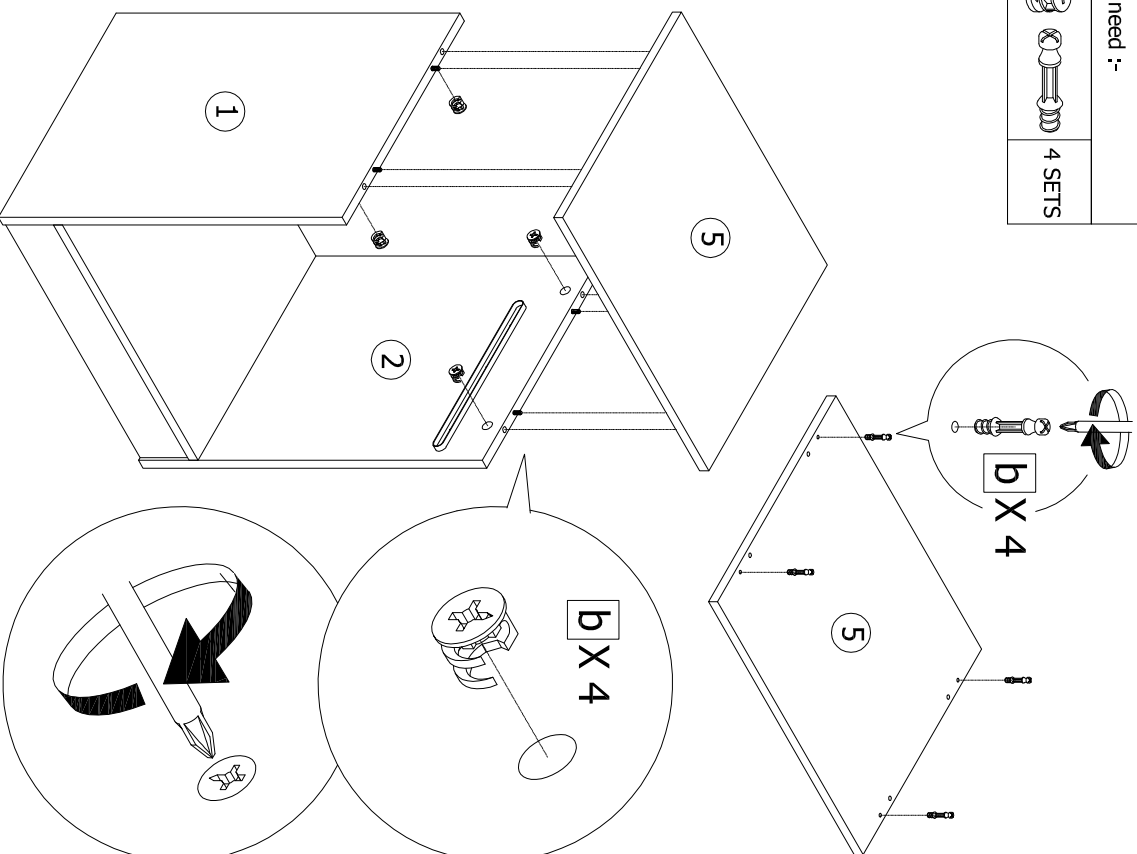
**THE USE OF POWER TOOLS TO ASSEMBLE THIS PRODUCT WILL INVALIDATE ANY CLAIM AND MAY DAMAGE THIS PRODUCT MAKING IT UNSAFE**



**STEP 3**

You will need :-



b		4 SETS
---	---	--------

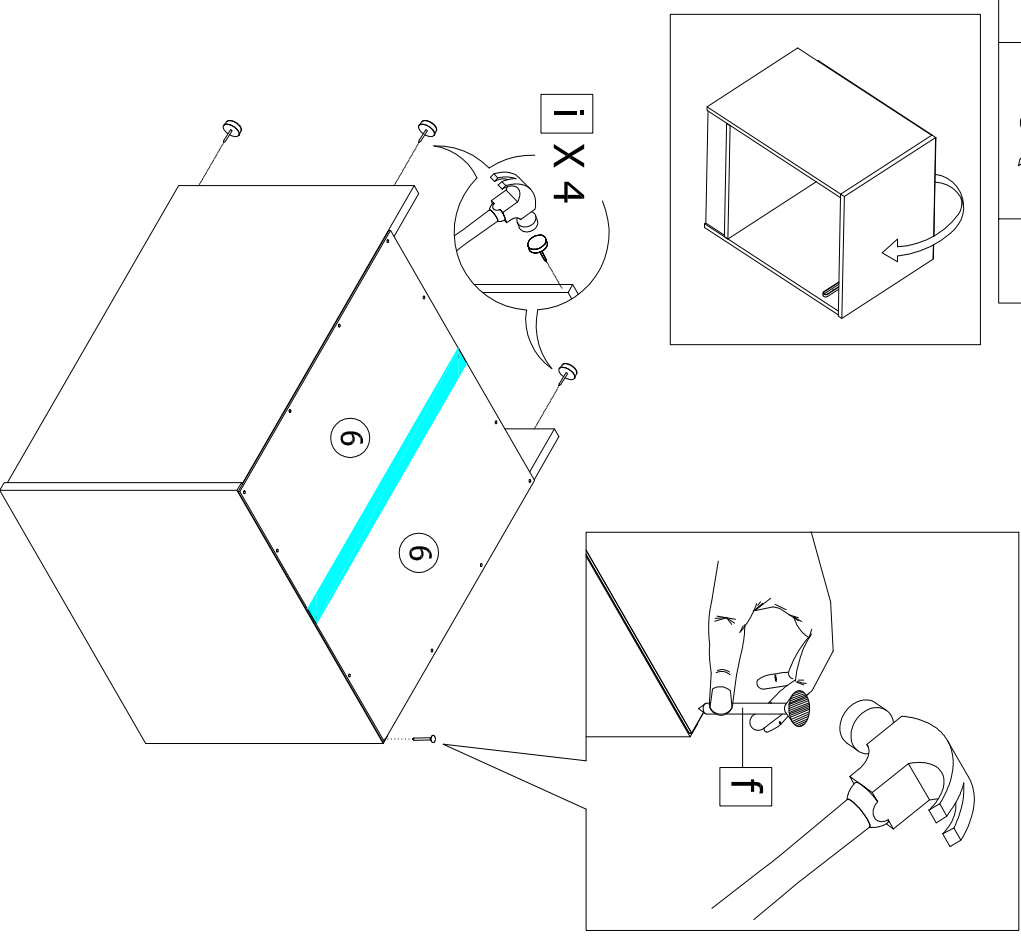


When inserting the cam nuts, rotate the cam nuts so the arrow points towards the incoming cam bolts.

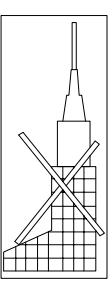
**STEP 4**

You will need :-

f		12 PCS
i		4 PCS






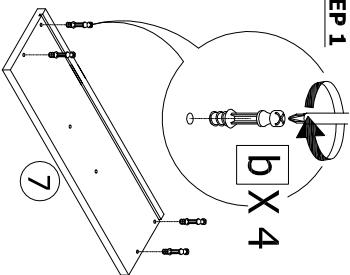
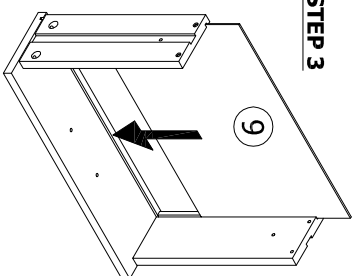
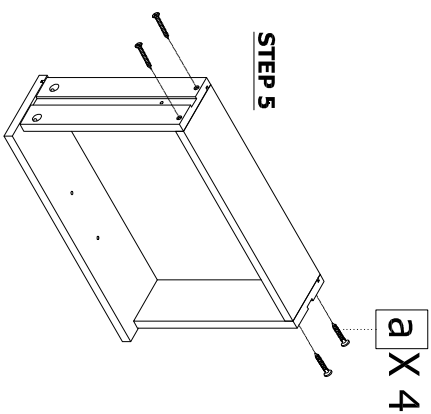
**THE USE OF POWER TOOLS TO ASSEMBLE THIS PRODUCT WILL INVALIDATE ANY CLAIM AND MAY DAMAGE THIS PRODUCT MAKING IT UNSAFE**




**STEP 5**

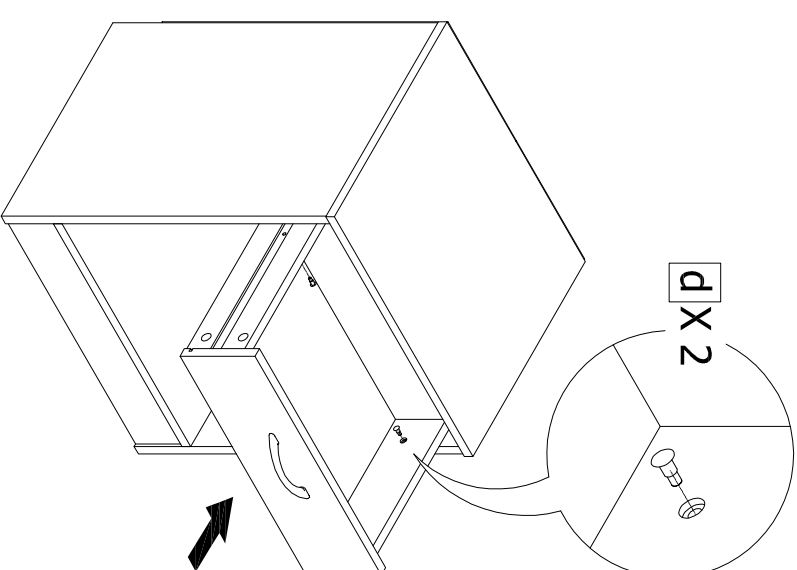
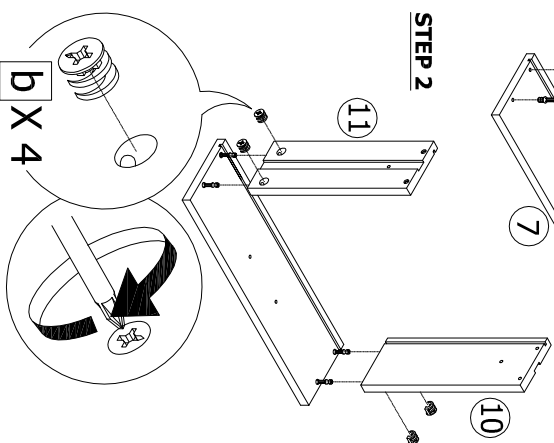
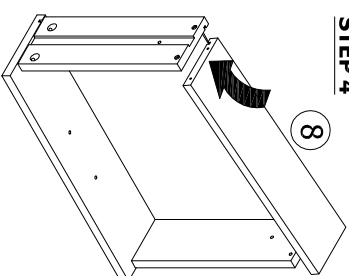
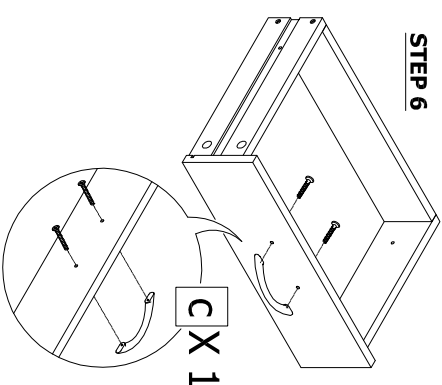
You will need :-

a		4 PCS
b		4 SETS
c		1 SET

**STEP 1****STEP 3****STEP 5****STEP 6**

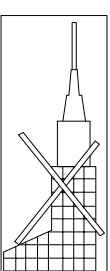
You will need :-

d		2 PCS
---	---	-------

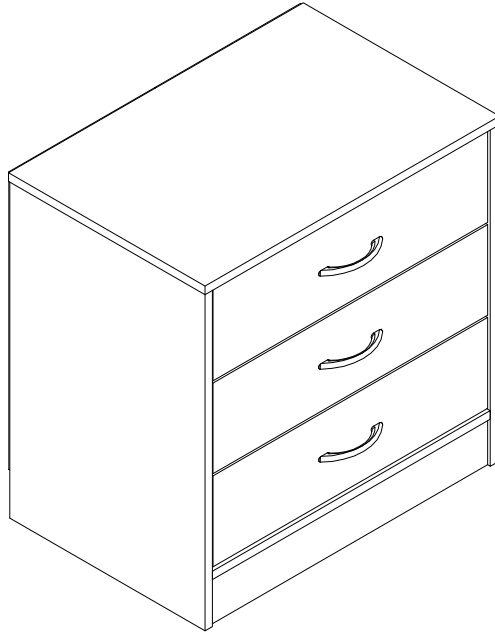
**STEP 2****STEP 4****STEP 6**

When inserting the cam nuts, rotate the cam nuts so the arrow points towards the incoming cam bolts.

**THE USE OF POWER TOOLS TO ASSEMBLE THIS PRODUCT WILL INVALIDATE ANY CLAIM AND MAY DAMAGE THIS PRODUCT MAKING IT UNSAFE**



# Delta Chest 3 Drawer



## IMPORTANT

### PLEASE READ BEFORE YOU CONTINUE FURTHER

THE PRODUCT YOU HAVE PURCHASED WILL GIVE YOU MANY YEARS OF SERVICE IF YOU FOLLOW THE GUIDELINES FOR ITS SAFE ASSEMBLY AND PERIODIC MAINTENANCE AND CLEANING.

ASSEMBLE ON A SOFT CLEAN SURFACE.

DO NOT USE ANY TOOLS OTHER THAN THOSE SHOWN.

ANY SPANNERS OR ALLEN KEYS REQUIRED ARE INCLUDED WITH THE FITTINGS KIT.

DO NOT FOR ANY REASON USE A POWER TOOL TO ASSEMBLE THIS PRODUCT. ITS USE WILL INVALIDATE ANY CLAIM YOU MAY HAVE AND COULD MAKE THIS PRODUCT UNSAFE.

DEPENDING ON THE AMOUNT OF USE THIS PRODUCT RECEIVES IT MAY BE NECESSARY TO TIGHTEN UP THE FIXINGS FROM TIME TO TIME. THIS IS COMPLETELY NORMAL FOR ANY FLAT PACK FURNITURE.

**DO NOT OVERTIGHTEN FIXINGS** AS THIS COULD CAUSE DAMAGE / SPLITTING TO COMPONENTS. RETURNS WILL NOT BE ACCEPTED DUE TO DAMAGE DURING ASSEMBLY.

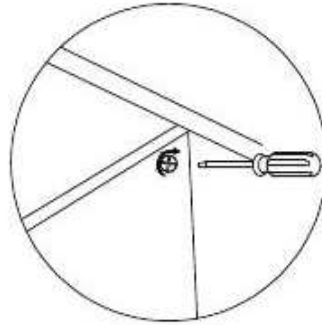
FOR CLEANING, YOU MAY USE A DAMP CLOTH (NOT WET).

THE SURFACE OF THIS ITEM IS NOT HEAT RESISTANT. ALWAYS USE A PLACE MAT UNDER HOT OR COLD ITEMS TO PREVENT MARKING.

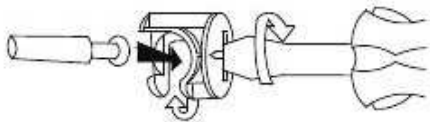


(Screwdriver not provided)

Use a flat blade screwdriver to tighten the cam nuts. A quarter turn clockwise is all that is needed.



This is how a cam nut works....

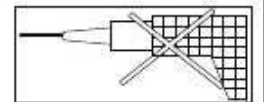


The head of the bolt goes into the wide mouth of the cam nut. You then turn the nut so the narrow part closes over the bolt.

## TWO PERSONS REQUIRED TO ASSEMBLE THIS PRODUCT

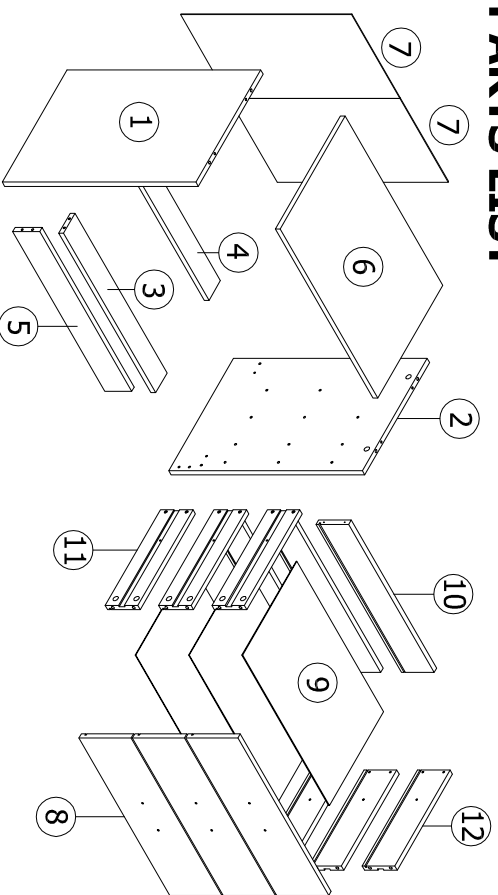
1. Please check that you have all the parts listed before you start assembling. If you do find that something is missing, do not continue assembly. Please contact your supplier immediately.
2. Lay out all of the components on a soft surface as if you were preparing to do a jigsaw puzzle.
3. Separate and identify each component, from the hardware pack and rest each one in its proper location before fastening.

THE USE OF POWER TOOLS TO ASSEMBLE THIS PRODUCT WILL INVALIDATE ANY CLAIM AND MAY DAMAGE THIS PRODUCT MAKING IT UNSAFE





# PARTS LIST

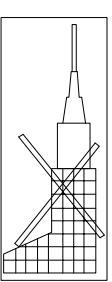


1	LEFT HAND SIDE PANEL	1 PC
2	RIGHT HAND SIDE PANEL	1 PC
3	FRONT BOTTOM CROSS BAR	1 PC
4	BACK BOTTOM CROSS BAR	1 PC
5	BOTTOM CROSS BAR	1 PC
6	TOP PANEL	1 PC
7	BACK PANEL	2 PCS
8	DRAWER FRONT	3 PCS
9	DRAWER BOTTOM	3 PCS
10	DRAWER BACK	3 PCS
11	DRAWER RIGHT HAND SIDE PANEL	3 PCS
12	DRAWER LEFT HAND SIDE PANEL	3 PCS

## HARDWARE LIST




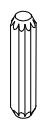
a		C/B SCREW M4 X 38mm	12 PCS
b		L35mm CAM & BOLT	20 SETS
c		HANDLE & SCREW	3 SETS
d		DRAWER STOPPER	6 PCS
e		C/B SCREW M3.5 X 12mm	12 PCS
f		BACK PANEL NAIL	16 PCS
g		Ø6 X 25mm DOWEL	12 PCS
h		GLIDER WITH NAILS	4 PCS
i		RUNNER SET	6 PCS

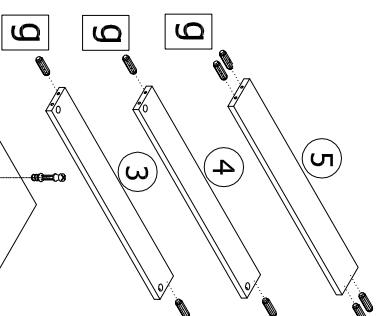
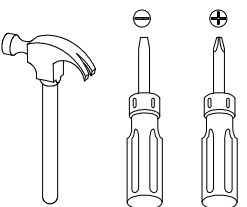
THE USE OF POWER TOOLS TO ASSEMBLE THIS PRODUCT WILL INVALIDATE ANY CLAIM AND MAY DAMAGE THIS PRODUCT MAKING IT UNSAFE




**STEP 1**

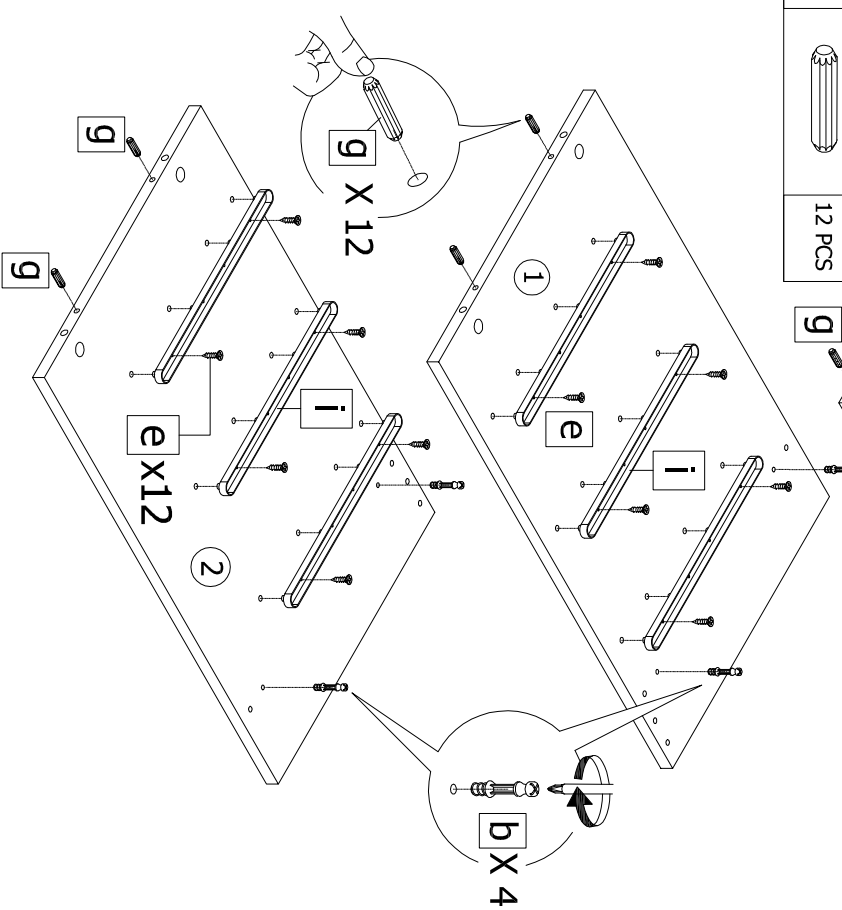
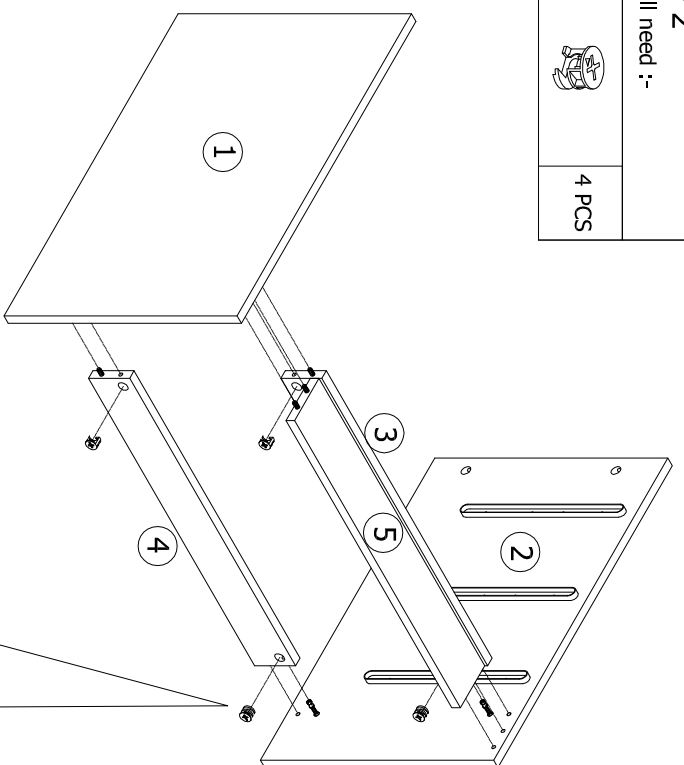
You will need :-

b		4 PCS
e		12 PCS
i		6 PCS
g		12 PCS

**NOT Provided****STEP 2**

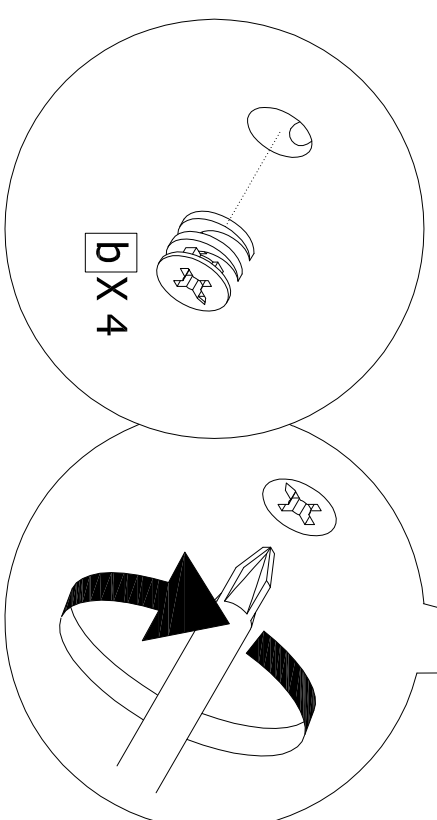
You will need :-

b		4 PCS
---	---	-------

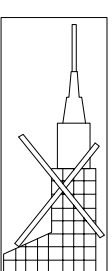


When inserting the cam nuts, rotate the cam nuts so the arrow points towards the incoming cam bolts.

When inserting the cam nuts, rotate the cam nuts so the arrow points towards the incoming cam bolts.




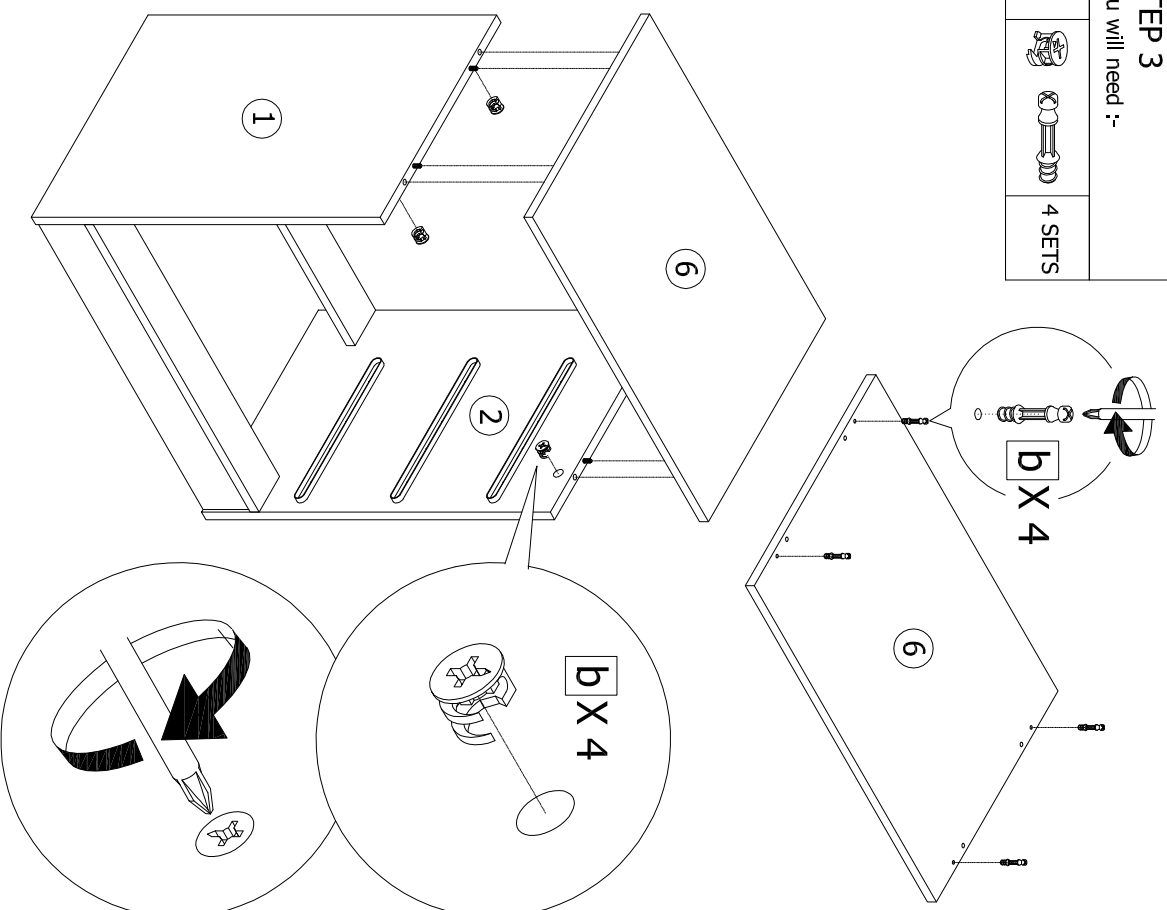
**THE USE OF POWER TOOLS TO ASSEMBLE THIS PRODUCT WILL INVALIDATE ANY CLAIM AND MAY DAMAGE THIS PRODUCT MAKING IT UNSAFE**



**STEP 3**

You will need :-



b		4 SETS
---	---	--------

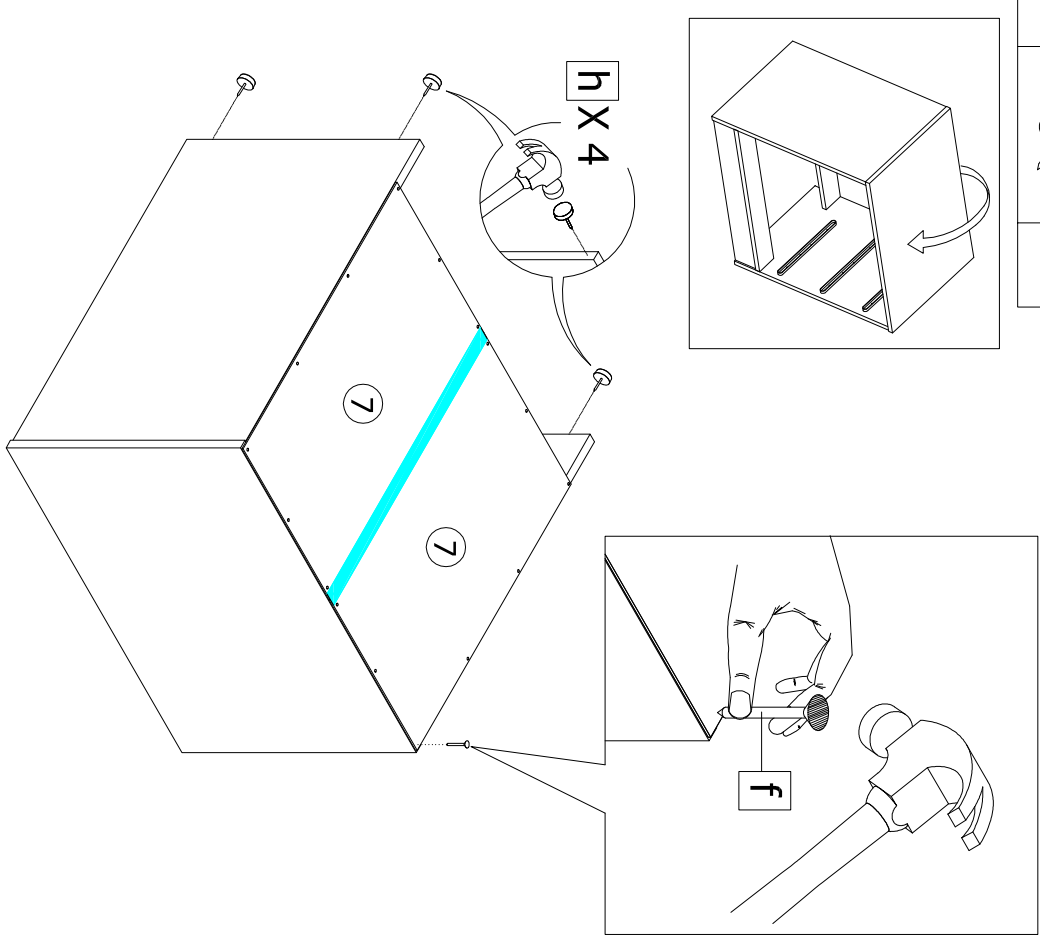


When inserting the cam nuts, rotate the cam nuts so the arrow points towards the incoming cam bolts.

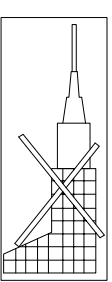
**STEP 4**

You will need :-

f		16 PCS
h		4 PCS






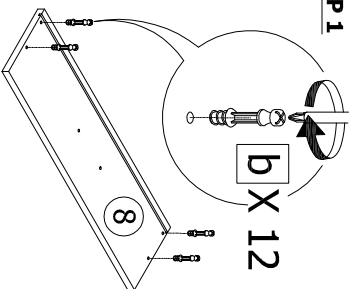
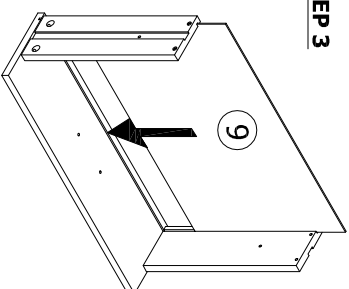
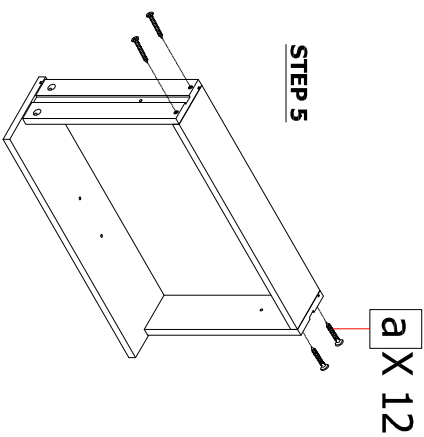
**THE USE OF POWER TOOLS TO ASSEMBLE THIS PRODUCT WILL INVALIDATE ANY CLAIM AND MAY DAMAGE THIS PRODUCT MAKING IT UNSAFE**




**STEP 5**

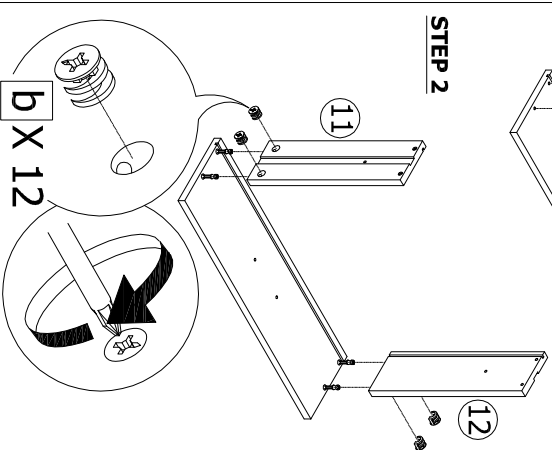
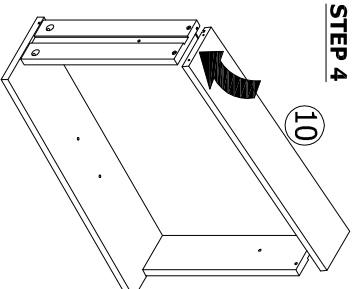
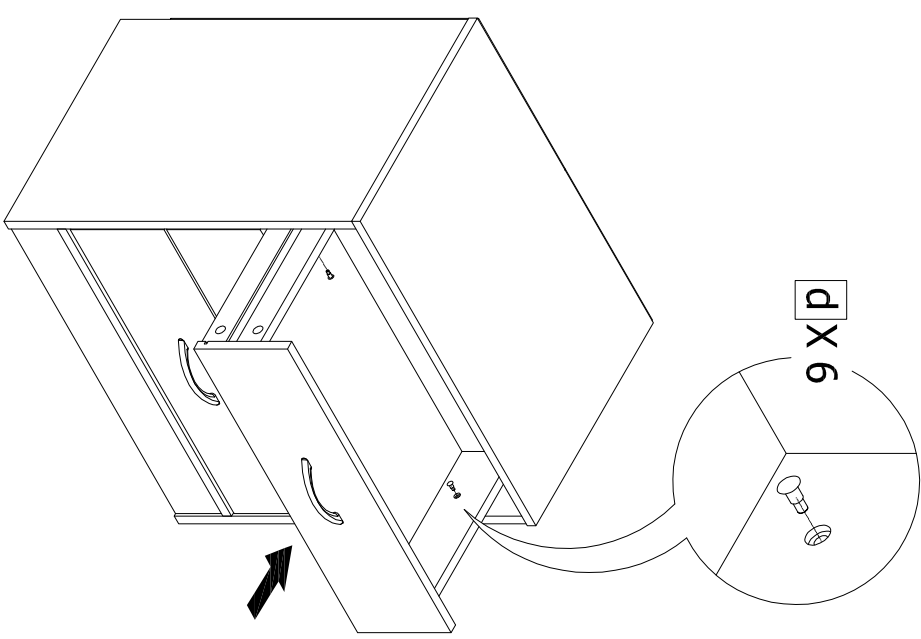
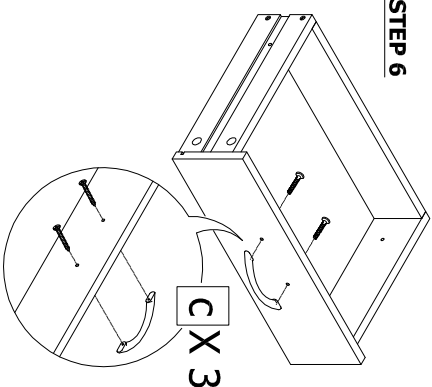
You will need :-

a		12 PCS
b		12 SETS
c		3 SETS

**STEP 1****STEP 3****STEP 5****STEP 6**

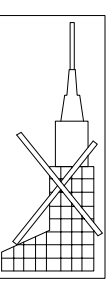
You will need :-

d		2 PCS
---	---	-------

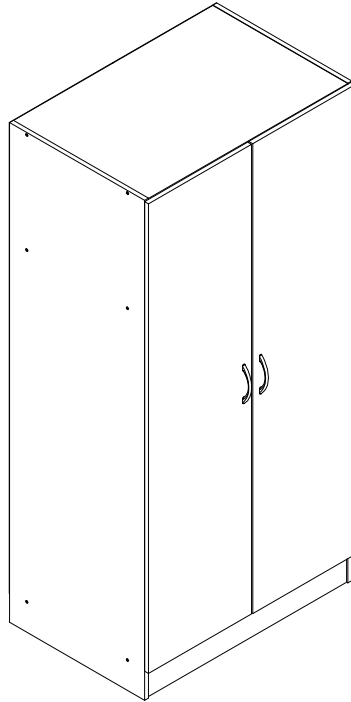
**STEP 4****STEP 6**

When inserting the cam nuts, rotate the cam nuts so the arrow points towards the incoming cam bolts.

**THE USE OF POWER TOOLS TO ASSEMBLE THIS PRODUCT WILL INVALIDATE ANY CLAIM AND MAY DAMAGE THIS PRODUCT MAKING IT UNSAFE**



# Delta 2 Door Wardrobe With 1 Shelf



## **IMPORTANT**

### **PLEASE READ BEFORE YOU CONTINUE FURTHER**

THE PRODUCT YOU HAVE PURCHASED WILL GIVE YOU MANY YEARS OF SERVICE IF YOU FOLLOW THE GUIDELINES FOR ITS SAFE ASSEMBLY AND PERIODIC MAINTENANCE AND CLEANING.

ASSEMBLE ON A SOFT CLEAN SURFACE.

DO NOT USE ANY TOOLS OTHER THAN THOSE SHOWN.

ANY SPANNERS OR ALLEN KEYS REQUIRED ARE INCLUDED WITH THE FITTINGS KIT.

DO NOT FOR ANY REASON USE A POWER TOOL TO ASSEMBLE THIS PRODUCT. ITS USE WILL INVALIDATE ANY CLAIM YOU MAY HAVE AND COULD MAKE THIS PRODUCT UNSAFE.

DEPENDING ON THE AMOUNT OF USE THIS PRODUCT RECEIVES IT MAY BE NECESSARY TO TIGHTEN UP THE FIXINGS FROM TIME TO TIME. THIS IS COMPLETELY NORMAL FOR ANY FLAT PACK FURNITURE.

**DO NOT OVERTIGHTEN FIXINGS** AS THIS COULD CAUSE DAMAGE / SPLITTING TO COMPONENTS. RETURNS WILL NOT BE ACCEPTED DUE TO DAMAGE DURING ASSEMBLY.

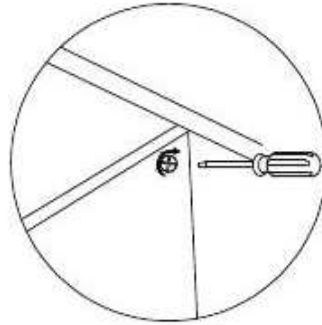
FOR CLEANING, YOU MAY USE A DAMP CLOTH (NOT WET).

THE SURFACE OF THIS ITEM IS NOT HEAT RESISTANT. ALWAYS USE A PLACE MAT UNDER HOT OR COLD ITEMS TO PREVENT MARKING.

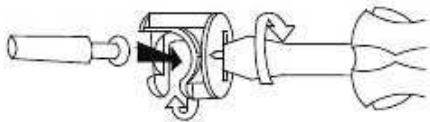


(Screwdriver not provided)

Use a flat blade screwdriver to tighten the cam nuts. A quarter turn clockwise is all that is needed.



This is how a cam nut works....

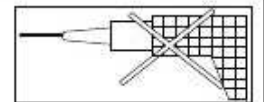


The head of the bolt goes into the wide mouth of the cam nut. You then turn the nut so the narrow part closes over the bolt.

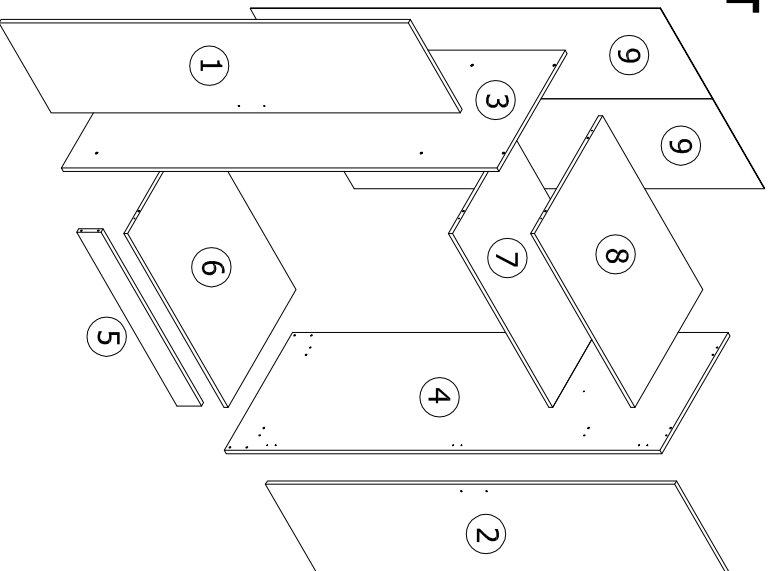
## TWO PERSONS REQUIRED TO ASSEMBLE THIS PRODUCT

1. Please check that you have all the parts listed before you start assembling. If you do find that something is missing, do not continue assembly. Please contact your supplier immediately.
2. Lay out all of the components on a soft surface as if you were preparing to do a jigsaw puzzle.
3. Separate and identify each component, from the hardware pack and rest each one in its proper location before fastening.

THE USE OF POWER TOOLS TO ASSEMBLE THIS PRODUCT WILL INVALIDATE ANY CLAIM AND MAY DAMAGE THIS PRODUCT MAKING IT UNSAFE

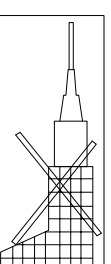


# PARTS LIST



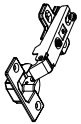

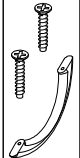
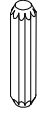
		HARDWARE LIST	
1	LEFT HAND SIDE DOOR PANEL 1 PC	a	C/B SCREW M4 X 45mm 12 PCS
2	RIGHT HAND SIDE DOOR PANEL 1 PC	b	DOOR HINGE 6 PCS
3	LEFT HAND SIDE PANEL 1 PC	c	M3.5 X 16mm SCREW 24 PCS
4	RIGHT HAND SIDE PANEL 1 PC	d	HANDLE & SCREW 2 SETS
5	FRONT & BACK BOTTOM CROSS BAR 2 PCS	e	SCREW COVER 12 PCS
6	BOTTOM PANEL 1 PC	f	Ø6 X 25mm DOWEL 20 PCS
7	SHELF PANEL 1 PC	g	HANGER BAR HOLDER & Screw 2 SETS
8	TOP PANEL 1 PC	h	HANGER BAR 1 PC
9	BACK PANEL 2 PCS	i	BACK PANEL NAIL 28 PCS
		j	FALL DOWN PROTECT BELT & SCREW 2 SETS
		k	C/B SCREW M3.5 X 20mm 6 PCS
		l	GLIDER WITH NAILS 6 PCS

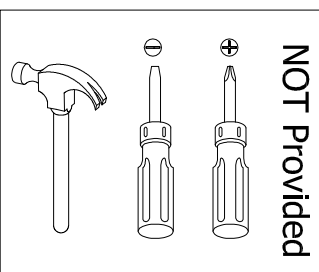
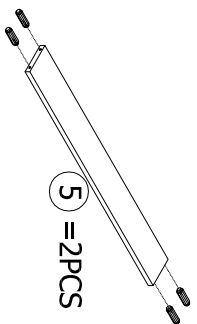
**THE USE OF POWER TOOLS TO ASSEMBLE THIS PRODUCT WILL INVALIDATE ANY CLAIM AND MAY DAMAGE THIS PRODUCT MAKING IT UNSAFE**



**STEP 1**



You will need :-

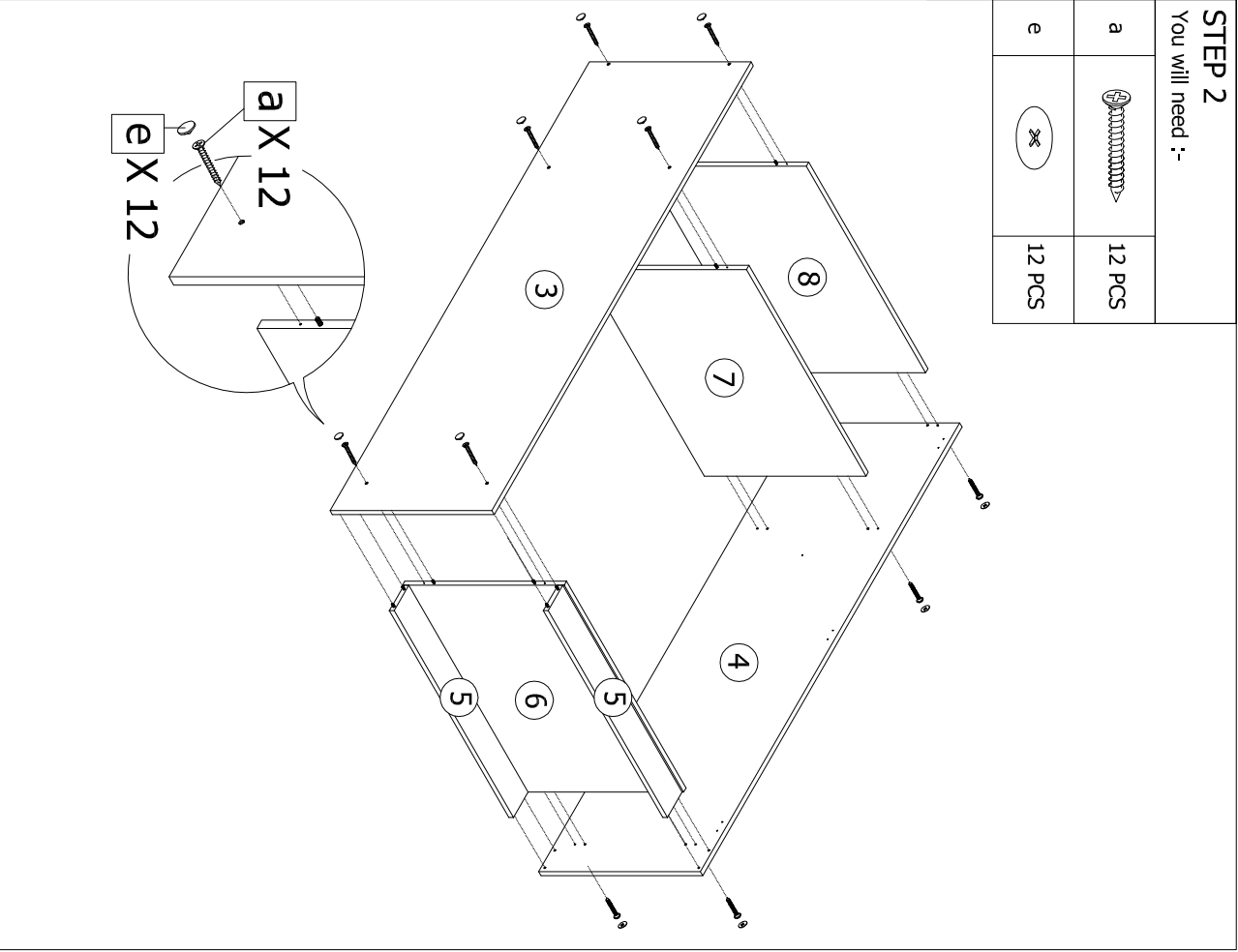
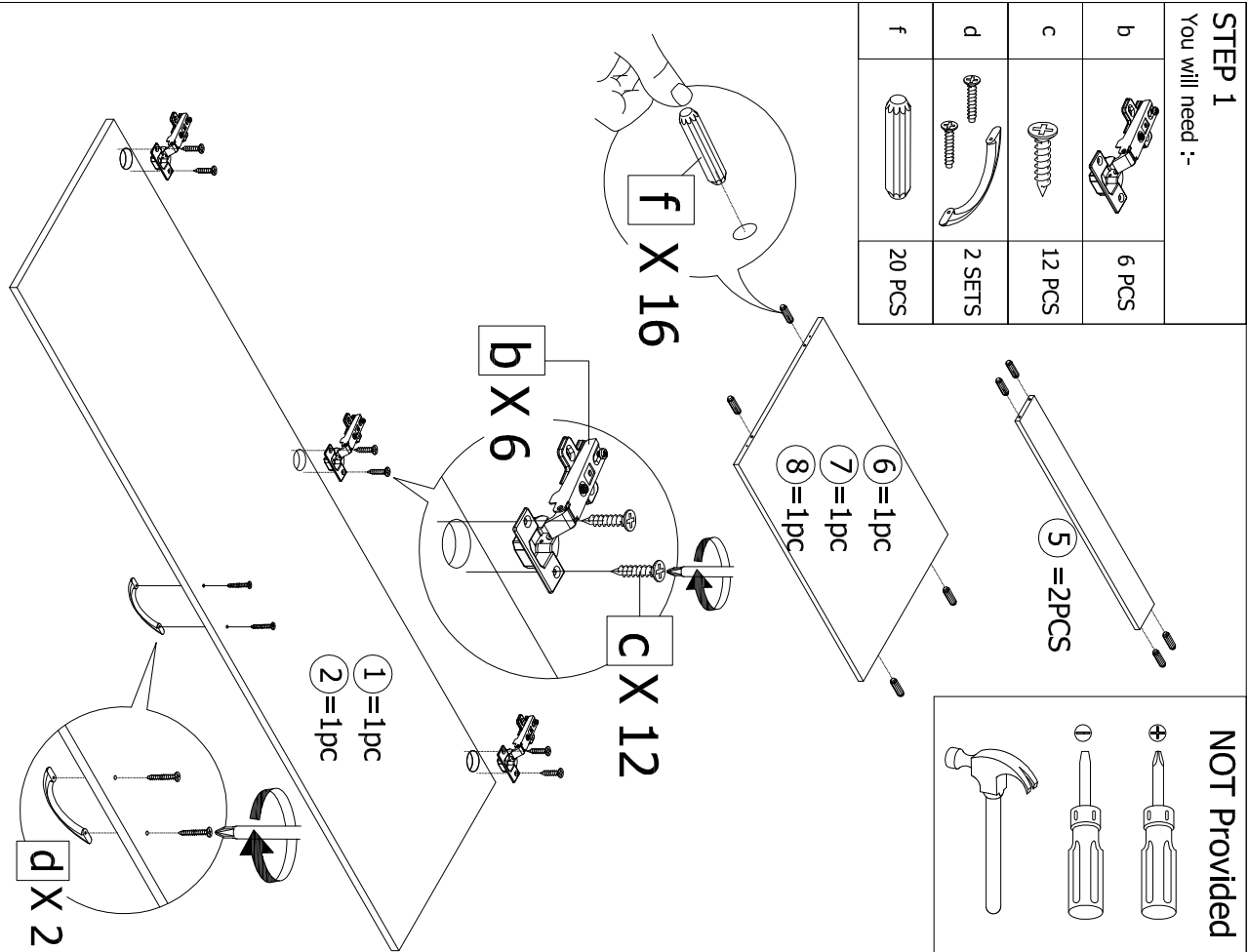
b		6 PCS
c		12 PCS
d		2 SETS
f		20 PCS



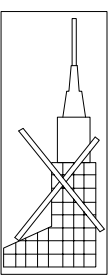
**STEP 2**

You will need :-

a		12 PCS
e		12 PCS





**THE USE OF POWER TOOLS TO ASSEMBLE THIS PRODUCT WILL INVALIDATE ANY CLAIM AND MAY DAMAGE THIS PRODUCT MAKING IT UNSAFE**

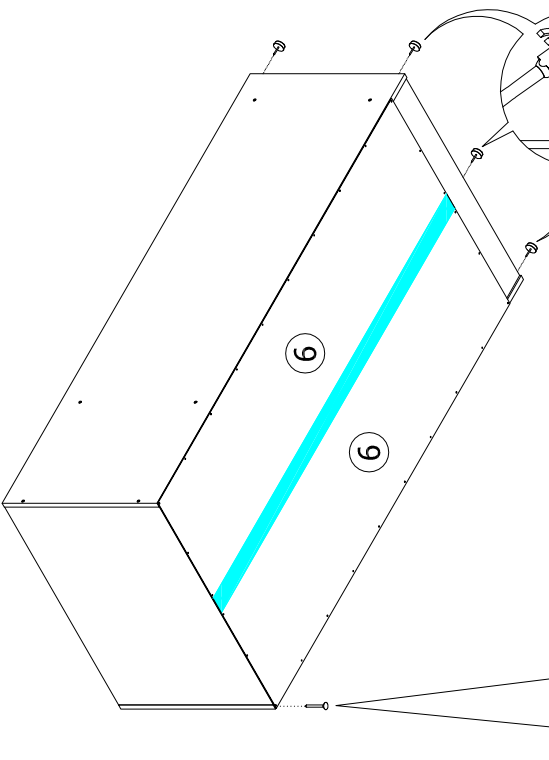
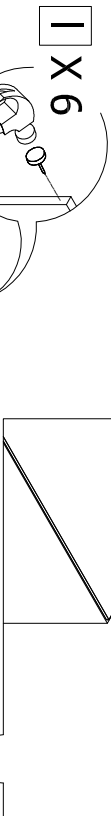
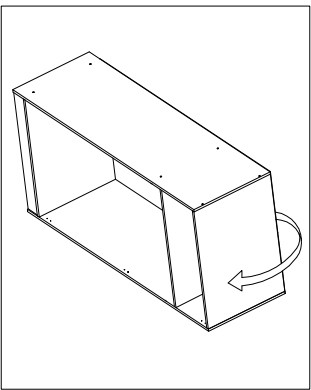





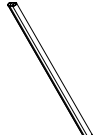
**STEP 3**

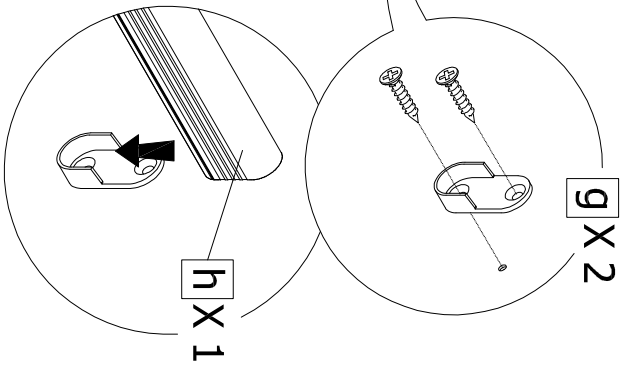
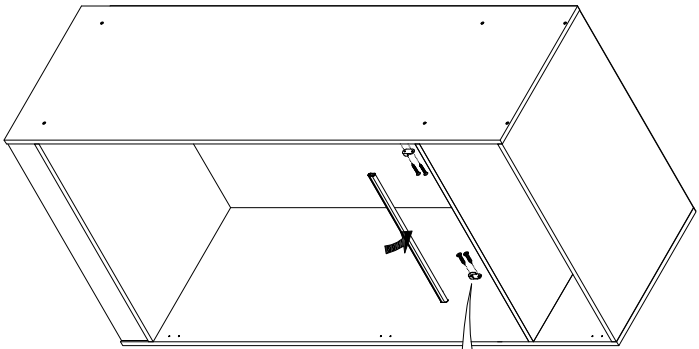
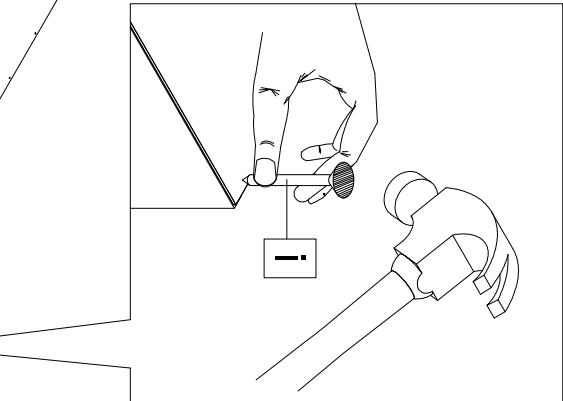
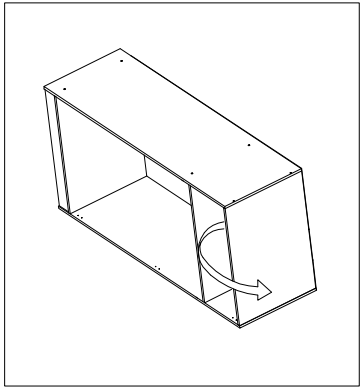
You will need :-

i		28 PCS
l		6 PCS

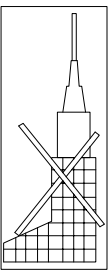
**STEP 4**

You will need :-

g		2 SETS
h		1 PC


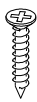


THE USE OF POWER TOOLS TO ASSEMBLE THIS PRODUCT WILL INVALIDATE ANY CLAIM AND MAY DAMAGE THIS PRODUCT MAKING IT UNSAFE



**STEP 5**

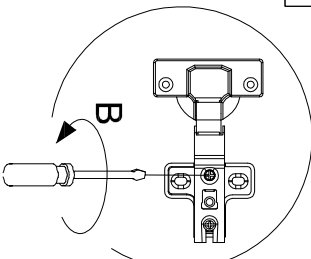
You will need :-

c		12 PCS
k		6 PCS

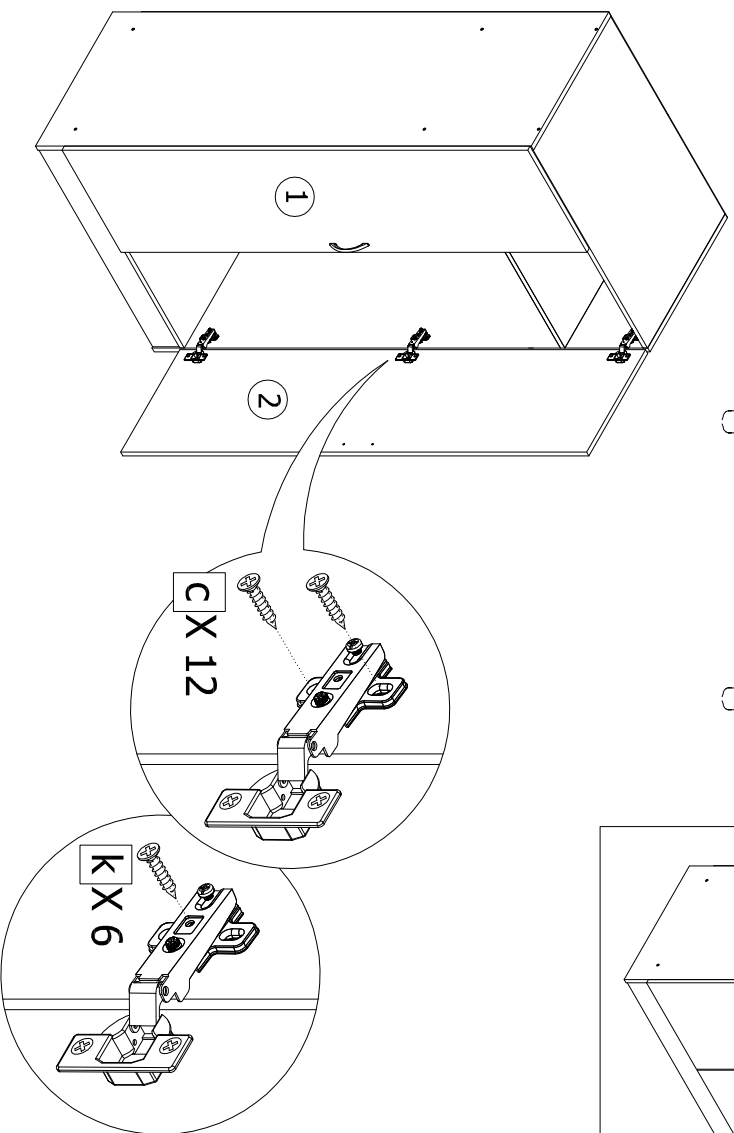
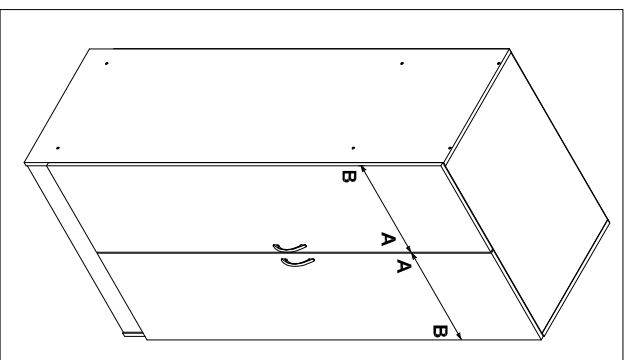
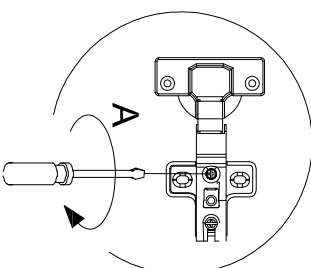
**NOTE :**

If necessary, adjust the door hinges as shown below.  
The hinges may need adjusting once the wardrobe contains clothing and / or is moved.

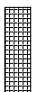

**TO SHIFT DOOR  
TOWARDS B**

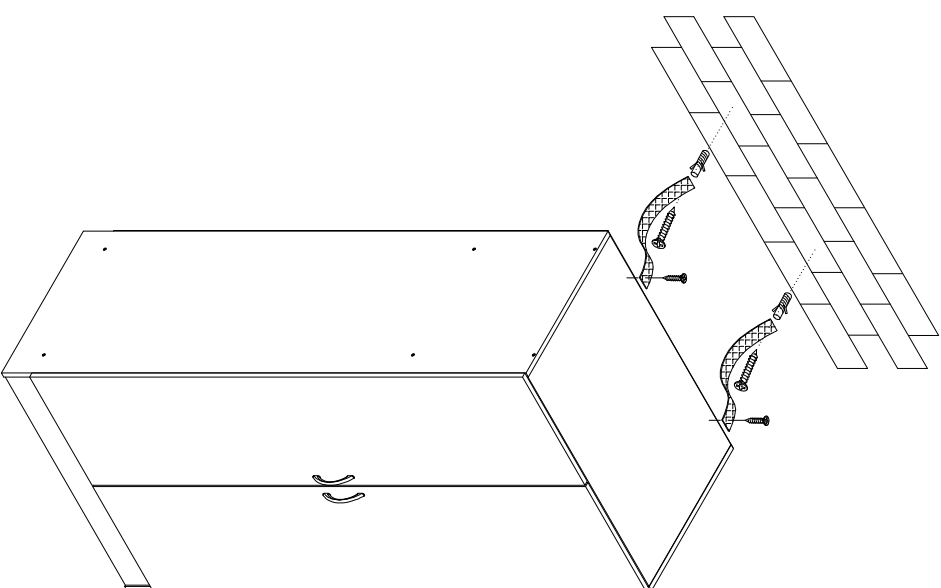


**TO SHIFT DOOR  
TOWARDS A**

**STEP 6**

You will need :-

j	 	2 SETS
---	--	--------



**THE USE OF POWER TOOLS TO ASSEMBLE THIS PRODUCT WILL INVALIDATE ANY CLAIM AND MAY DAMAGE THIS PRODUCT MAKING IT UNSAFE**

