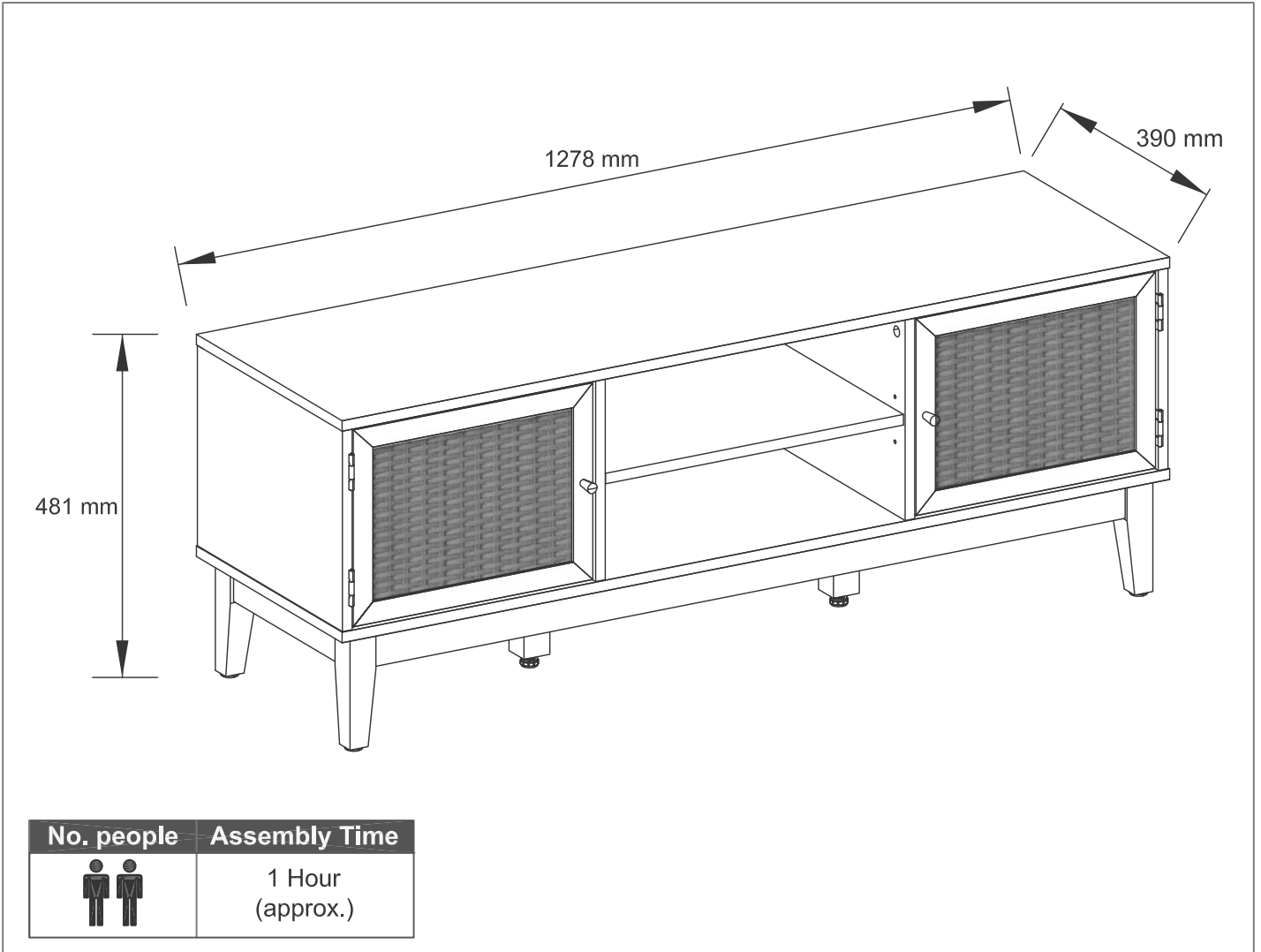


BORDEAUX TV STAND

Assembly Instructions - Please keep for future reference

PLEASE KEEP THE ORIGINAL PACKAGING UNTIL THE ITEM IS FULLY ASSEMBLED AND IN PLACE. IN THE UNLIKELY EVENT THAT YOU NEED TO RETURN YOUR PRODUCT, IT MUST BE RETURNED IN ITS ORIGINAL PACKAGING TO AVOID FURTHER DAMAGE. FAILURE TO COMPLY TO THESE PROCEDURES, NO RETURN'S WILL BE ACCEPTED.

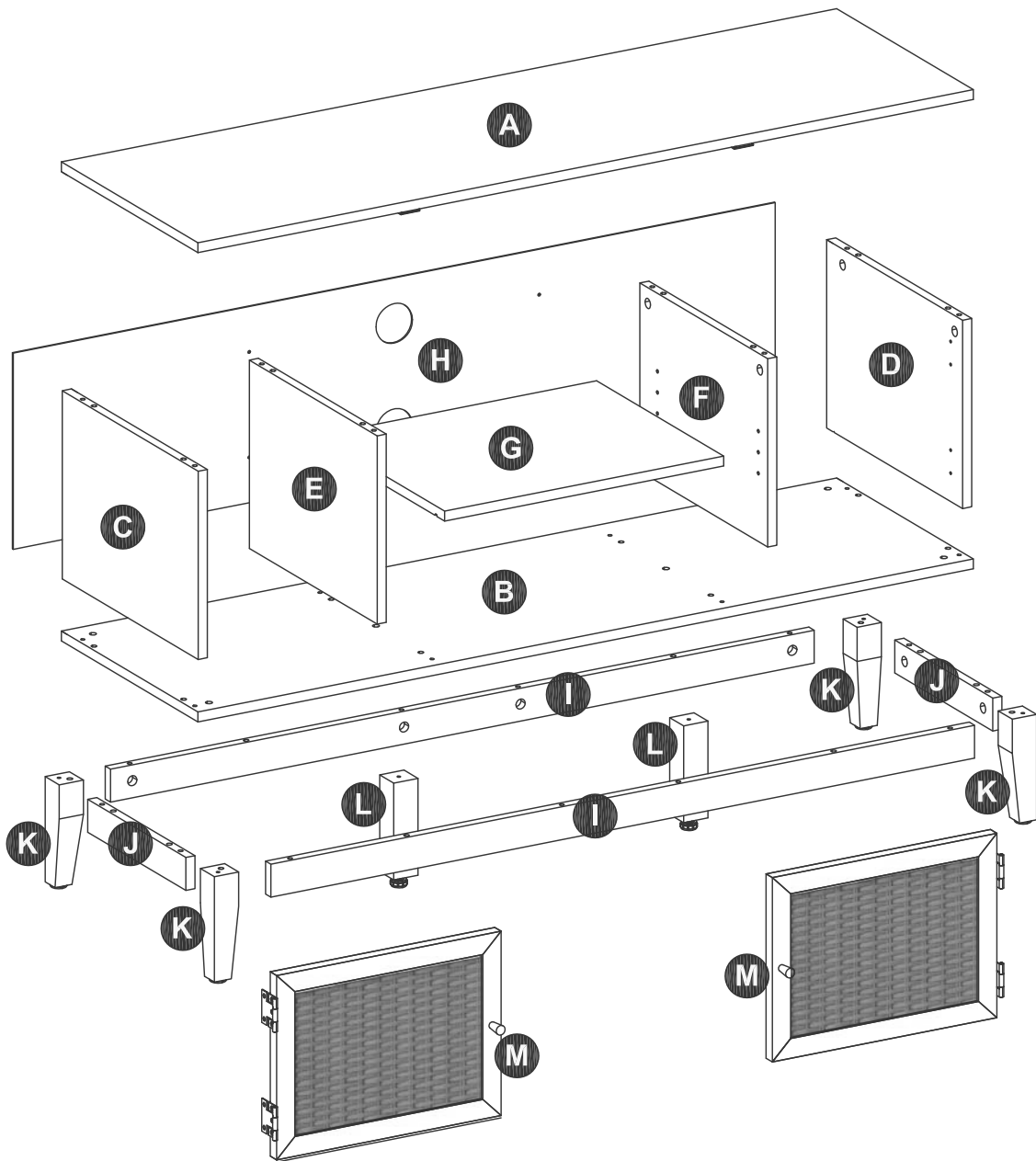


" SHOULD IT BE NECESSARY TO RETURN THIS PRODUCT FOR ANY REASON,
IT MUST BE RETURNED IN ITS ORIGINAL PACKAGING"

Important: Read carefully

- Please check you have all parts listed on your assembly sheet. In the unlikely event that any parts are missing, please contact your retailer immediately.
- Do not use any other tools than those listed on your assembly sheet / tools provided. Use of power tools could damage your product and returns would not be accepted back in these circumstances. Use of power tools could also make your product unsafe due to overtightening.
- Depending on the amount of use your product receives, it may be necessary to tighten the fixings from time to time.
- Assemble your product on a soft surface to avoid scratching and also preferably in the room intended for use to avoid having to move the product unnecessarily once assembled.
- For cleaning please use a clean damp cloth or duster. Use of abrasive or chemical cleaners will most likely scratch or damage the surface of your product. We do not accept returns for damages arising from incorrect care of products.
- Please keep the original packing until your item is fully assembled and in place. In the unlikely event you need to return your product. It must be returned back in its original packing to avoid any damage.
- The surface of this item is not heat resistant. Please use a mat under hot, cold or wet items to prevent marking.

Exploded View



Components - Panels


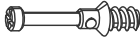


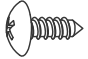
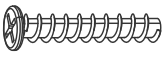


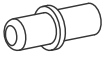



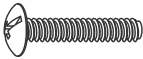






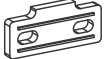
Please check that you have all the components listed below before constructing your items.

Part No	Description	Qty
A	Top Panel	1
B	Bottom Panel	1
C	Side Panel L	1
D	Side Panel R	1
E	Divider Panel - L	1
F	Divider Panel - R	1
G	Adjustable Shelf	1
H	Rear Panel	1
I	Front/Rear Bottom Support	2
J	Side Bottom Support	2
K	Side Leg	4
L	Center Leg	2
M	Door	2

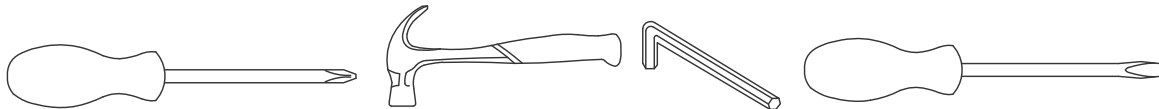
Components - Fixings

Please check that you have all the components listed below before constructing your items.

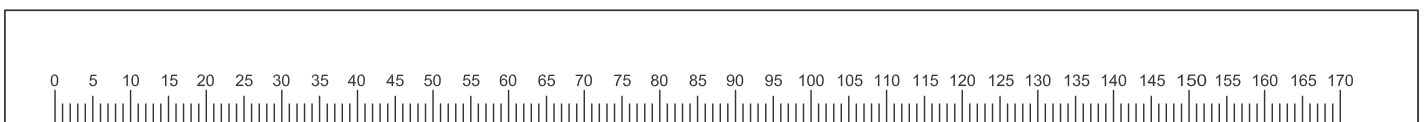
Note: The quantities below are the correct amount to complete the assembly. In some cases more fittings may be supplied than are required.

(A)	Minifix Cam  20 units	(B)	Minifix Bolt  20 units	(C)	Minifix Cover  8 units	(D)	Dowel M8 x 32mm  28 units
(E)	Screw M3 x 12mm  4 units	(F)	Screw M10 x 33.5mm  8 units	(G)	Screw M4 x 10mm  16 units	(H)	Screw M6 x 13mm  6 units
(I)	Shelf Support  4 unit	(J)	Screw M6.3 x 50mm  6 units	(K)	Cap  4 units	(L)	Nails  20 units
(M)	Screw M4 x 22mm  2 units	(N)	Handle  2 units	(O)	Allen Key  1 units	(P)	Hinge  4 units
(Q)	Magnet  2 units	(R)	Magnet Plate  2 units	(S)	Screw M6 x 19mm  4 units	(T)	Magnet Support  2 units

Tools Required

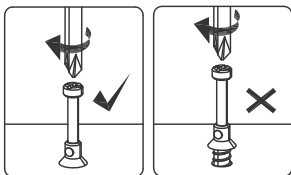



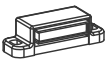

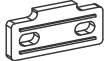
Ruler - Use this to measure your screws (mm)

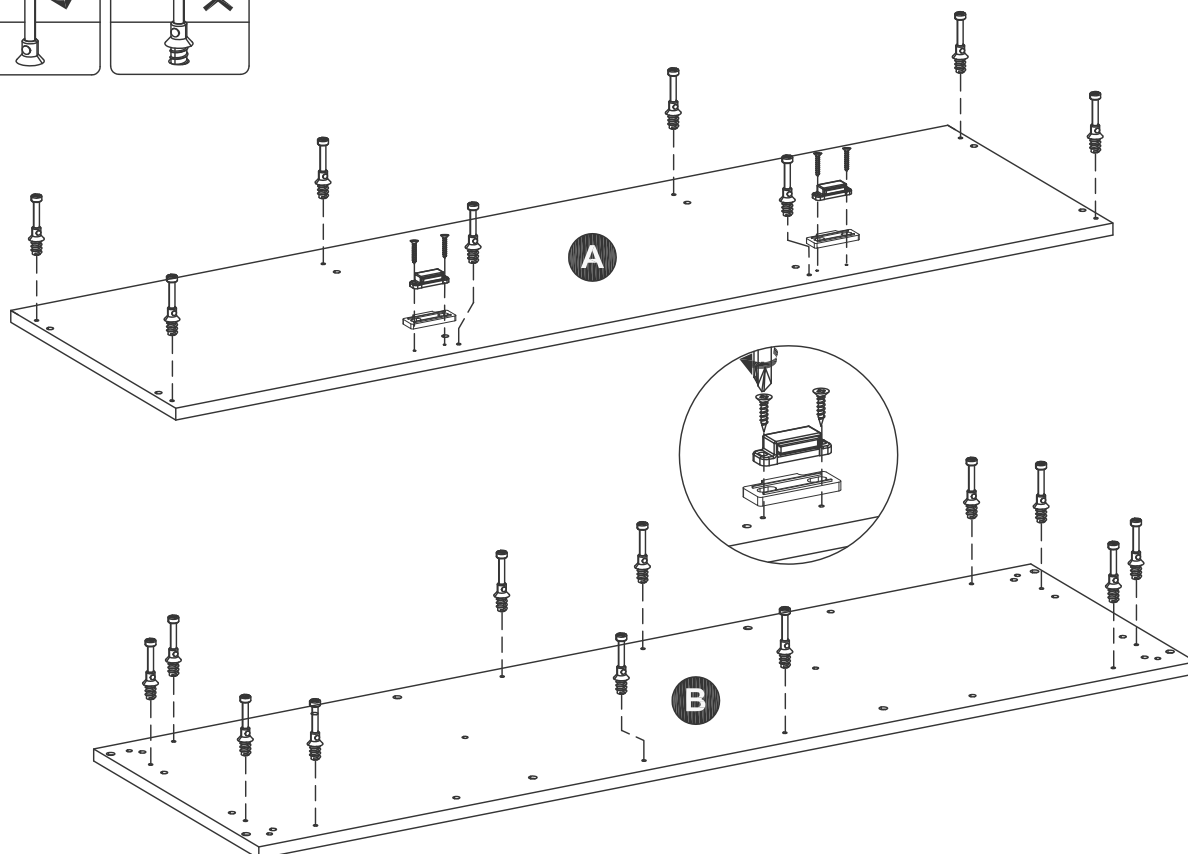


Assembly Instructions

Step 1



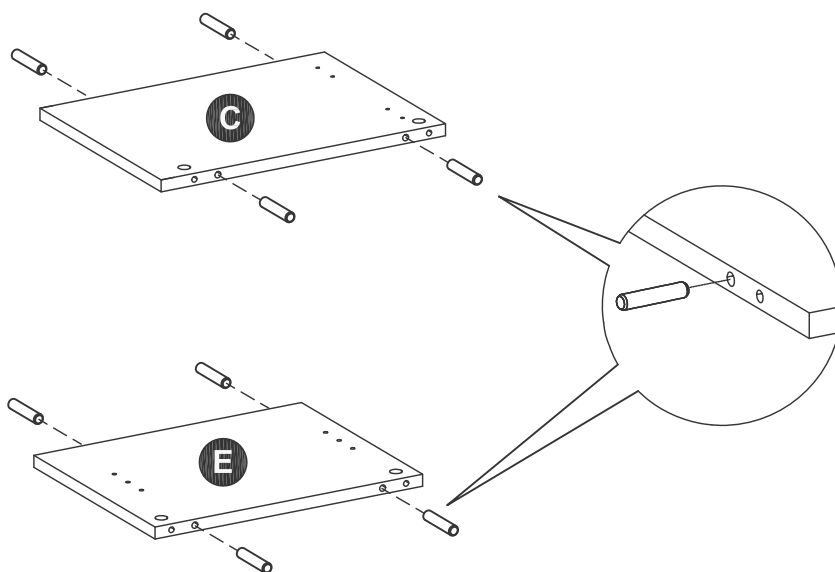
			
B x 20	Q x 2	S x 4	T x 2



Step 2



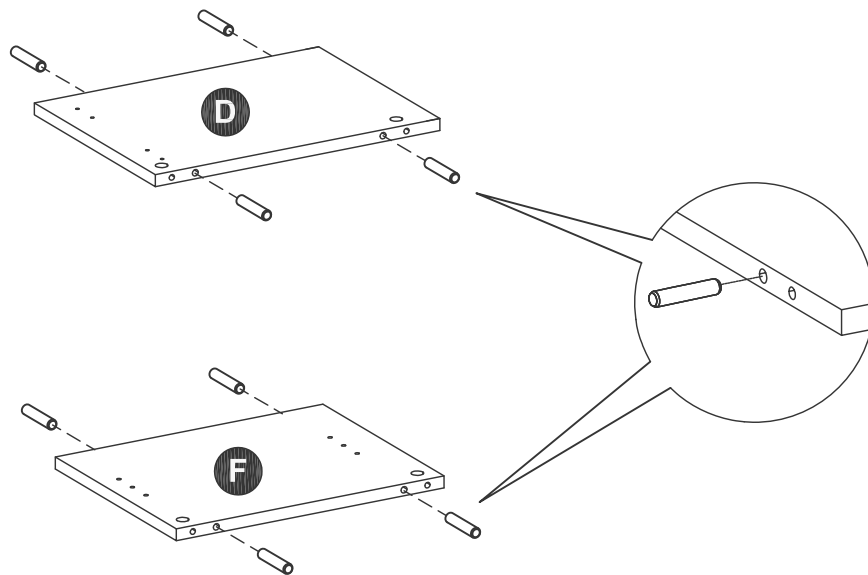
D x 8



Step 3



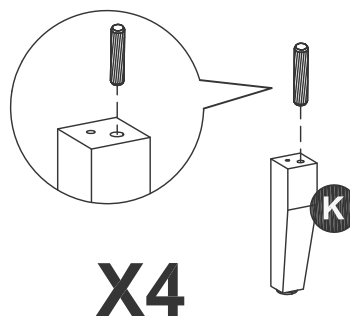
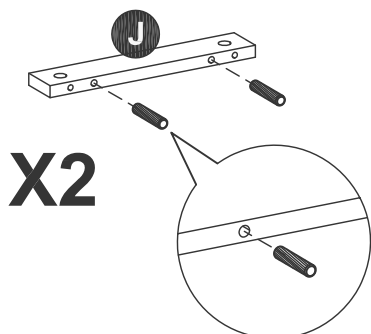
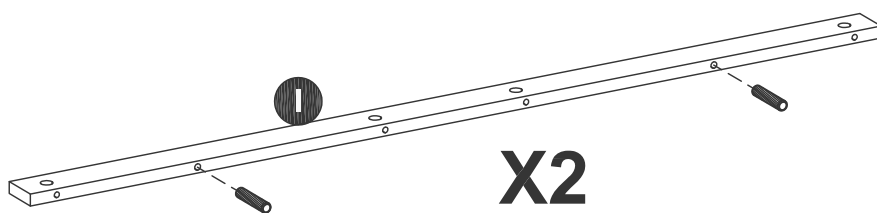
D x 8



Step 4



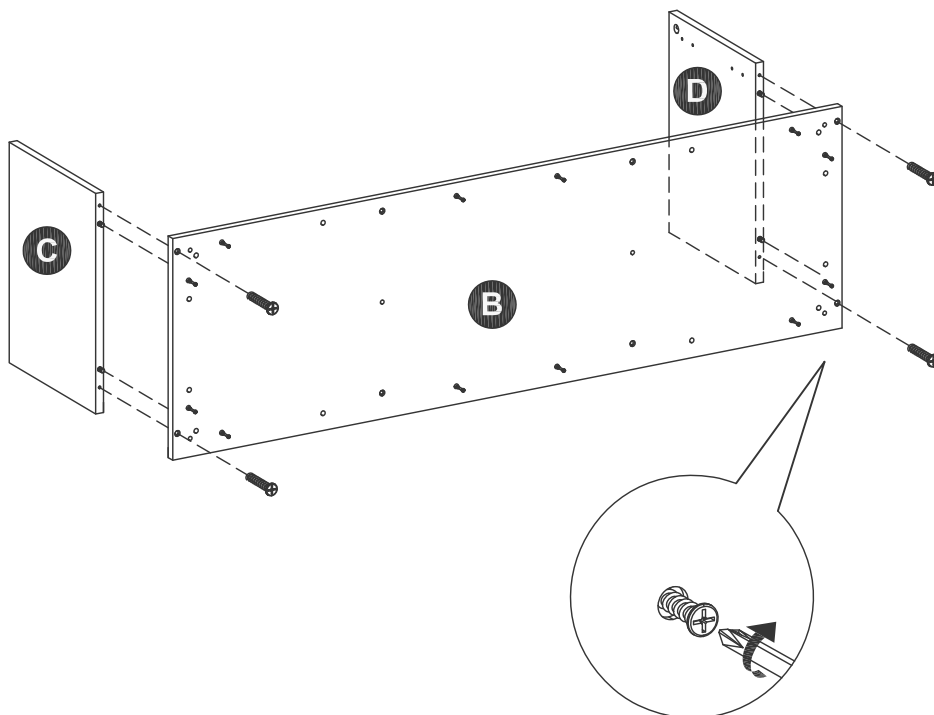
D x 12



Step 5



F x 4



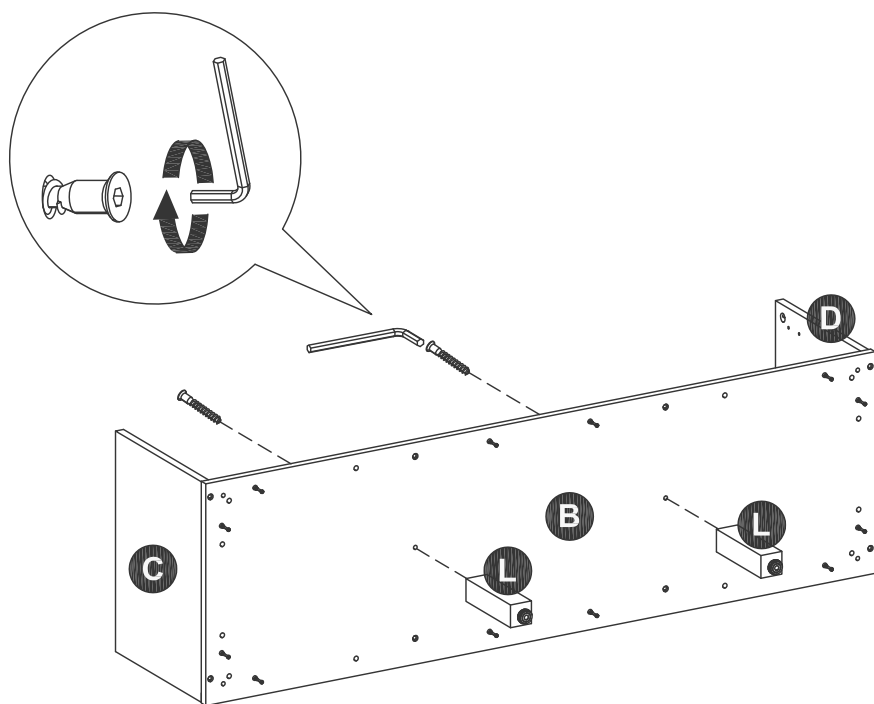
Step 6



J x 2



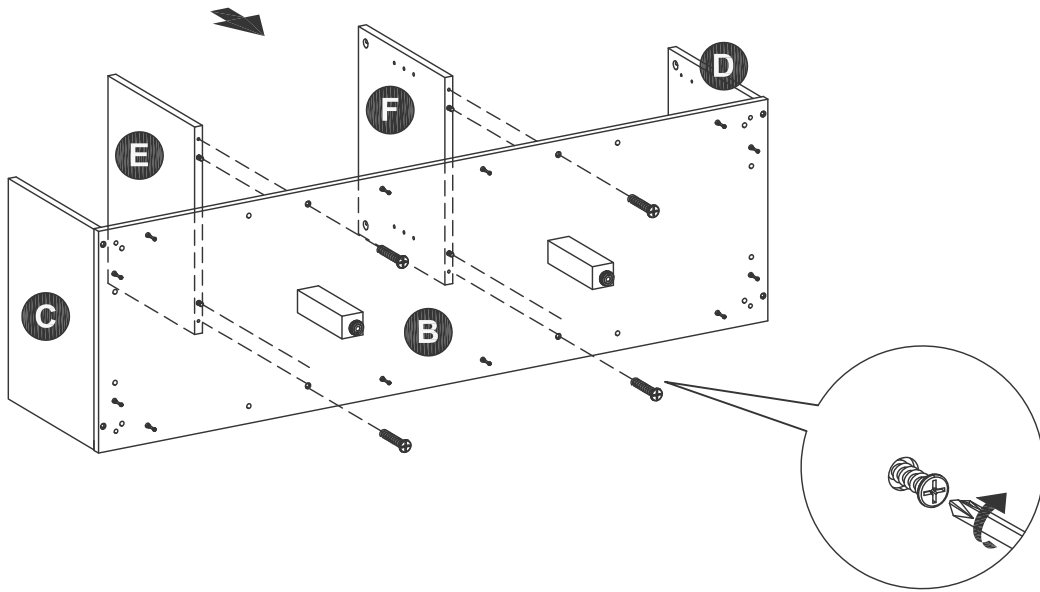
O x 1



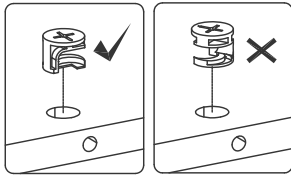
Step 7



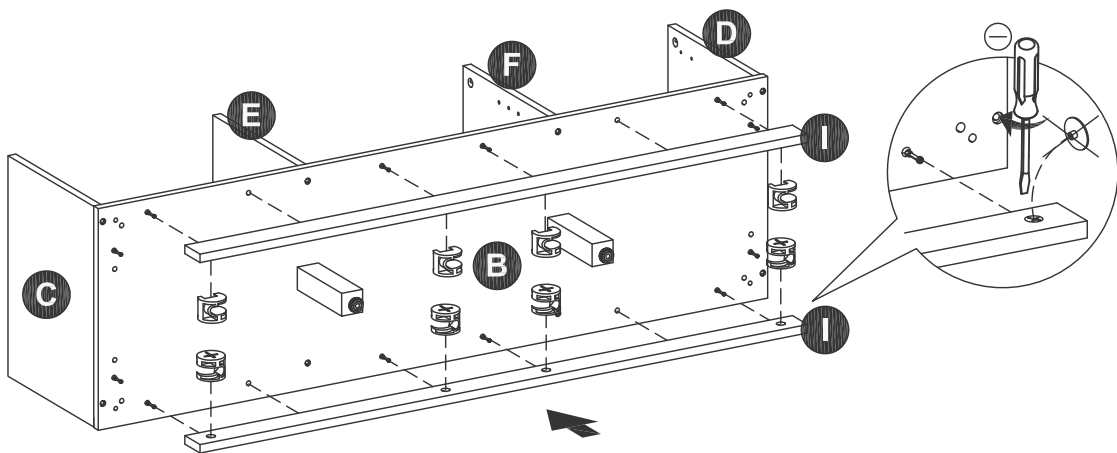
F x 4



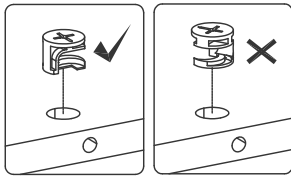
Step 8



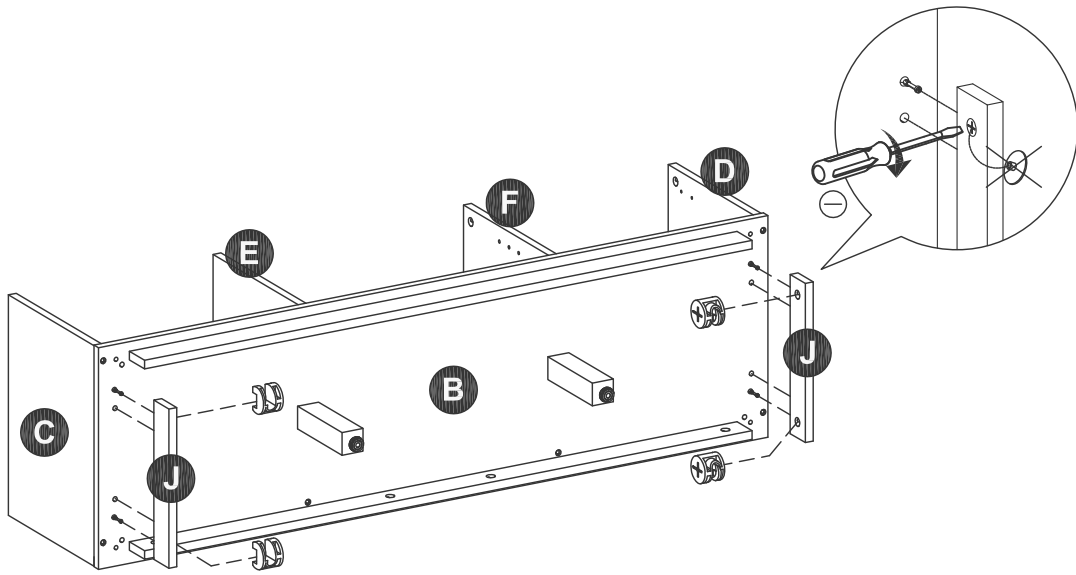
A x 8



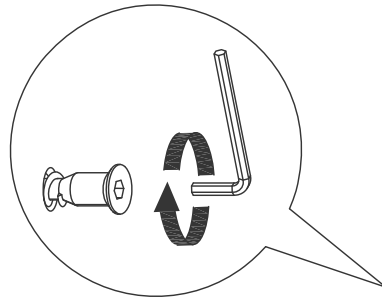
Step 9



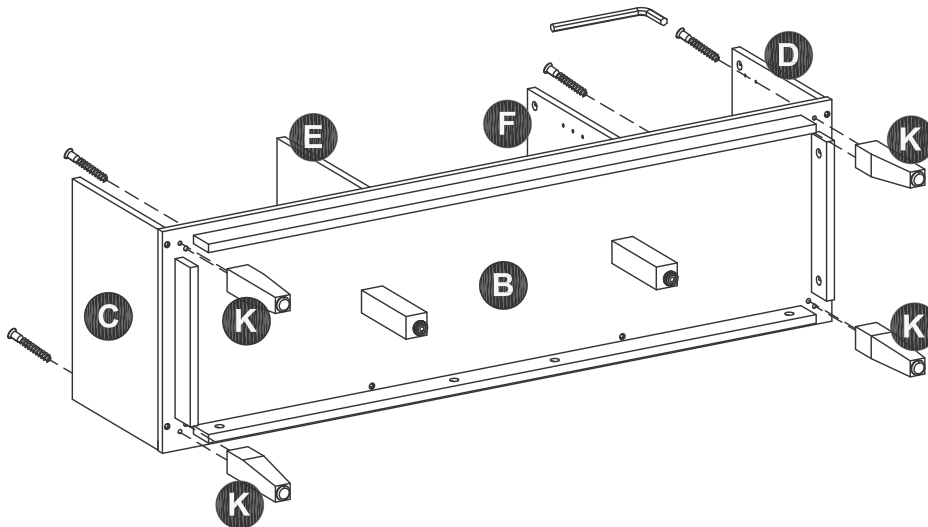
A x 4



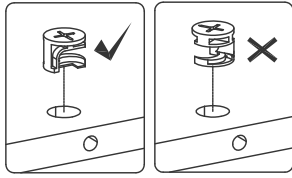
Step 10






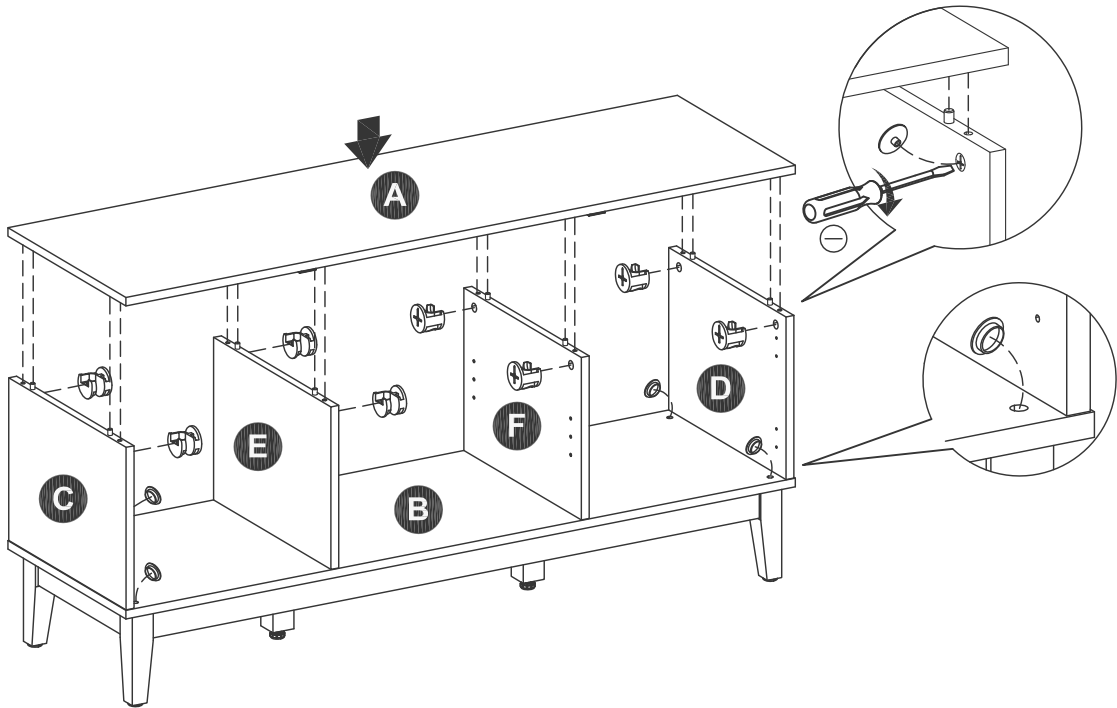
J x 4



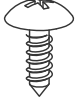

Step 11

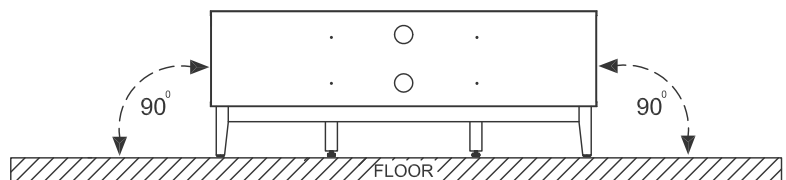
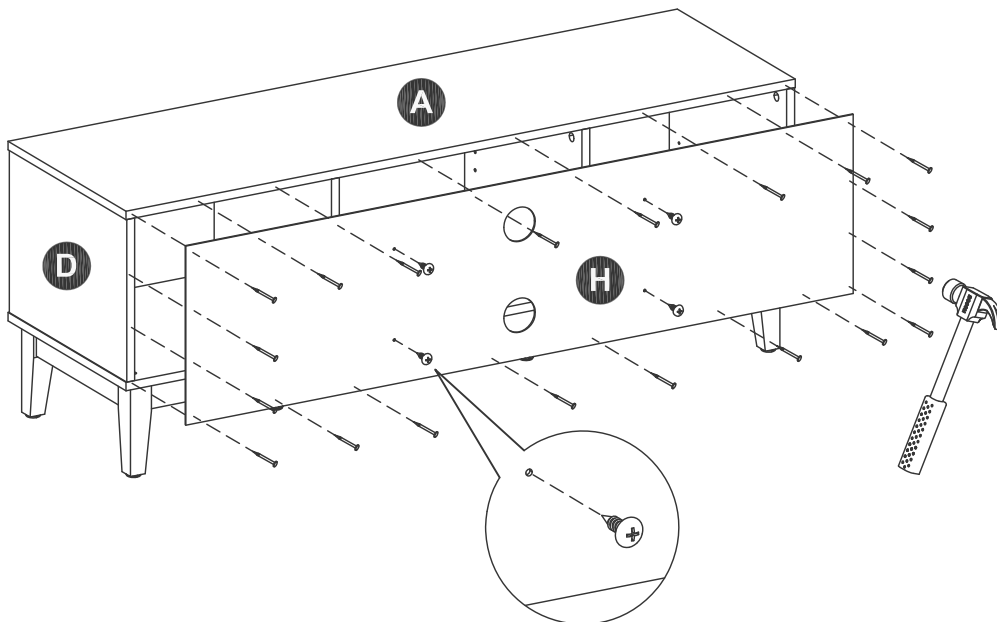


		
A x 8	C x 8	K x 4




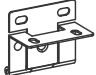


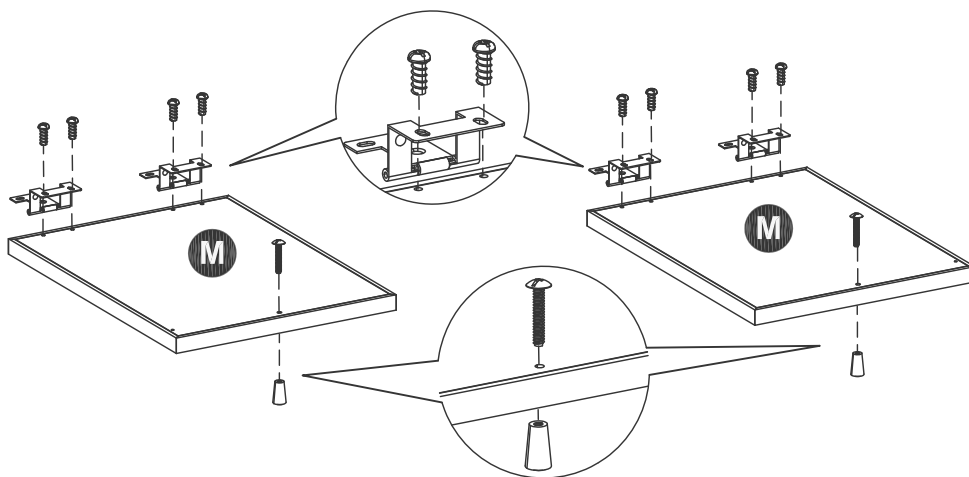
Step 12

	
E x 4	L x 20






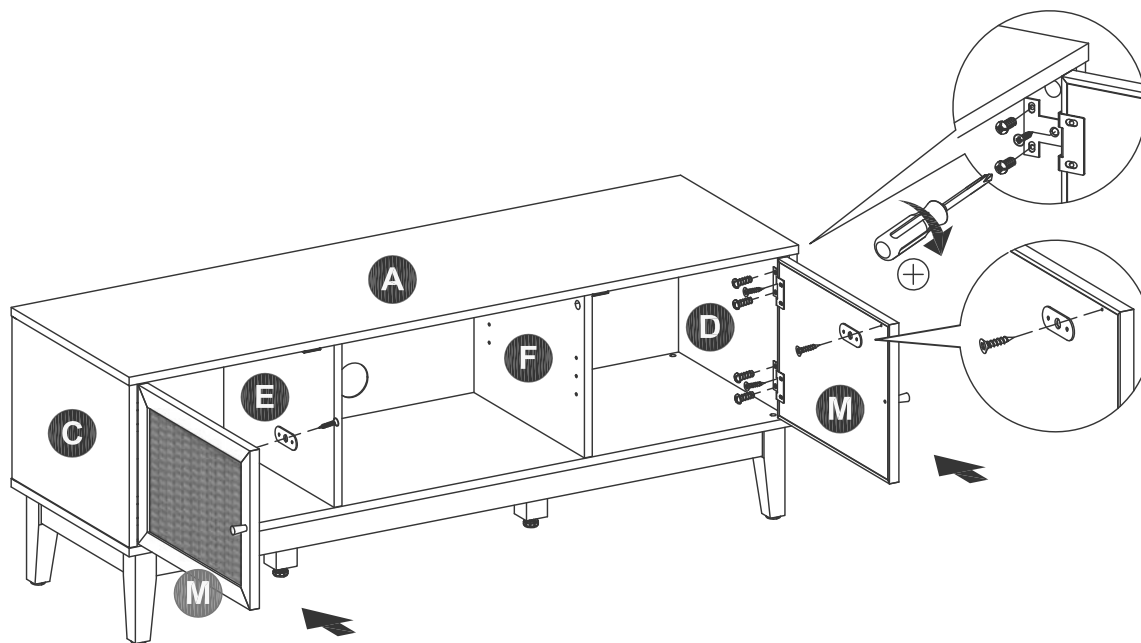
Step 13

			
G x 8	M x 2	N x 2	P x 4



Step 14

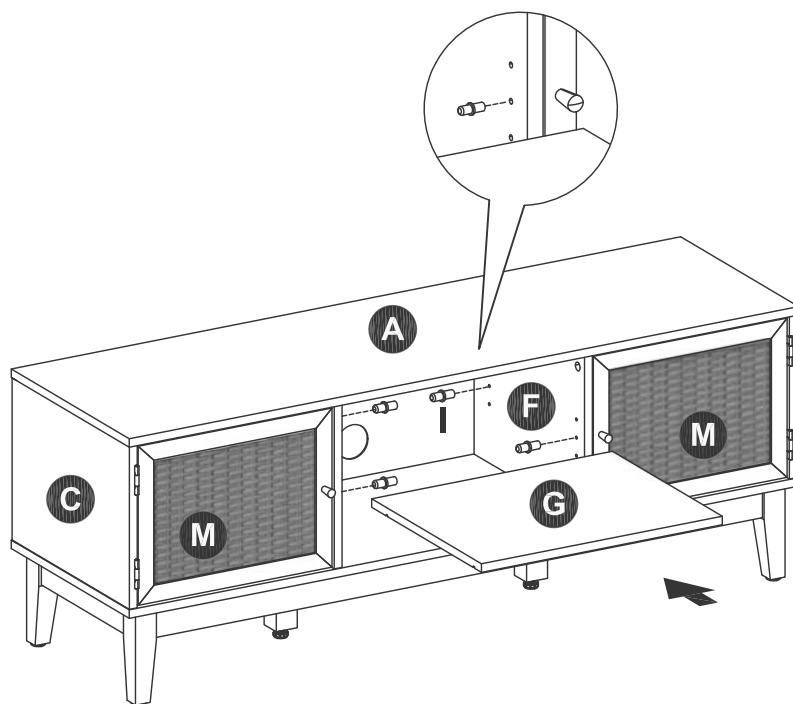
		
G x 8	H x 6	R x 2



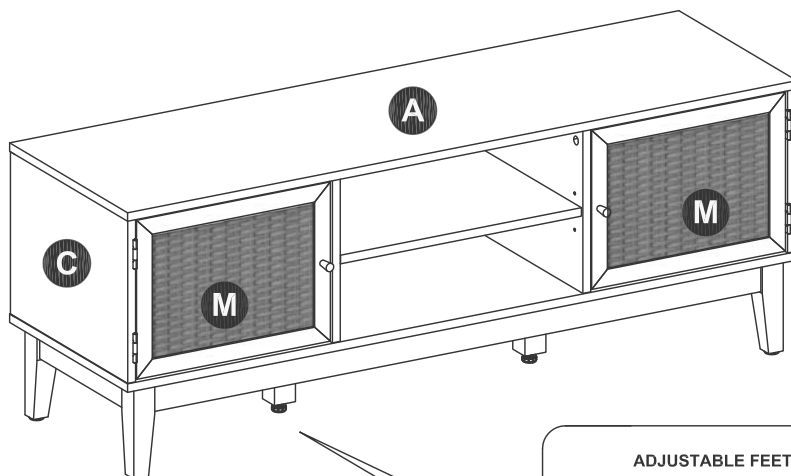
Step 15



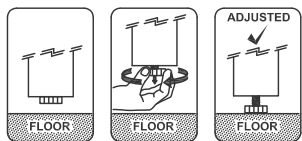
1 x 4



Step 16



ADJUSTABLE FEET



Step 17

