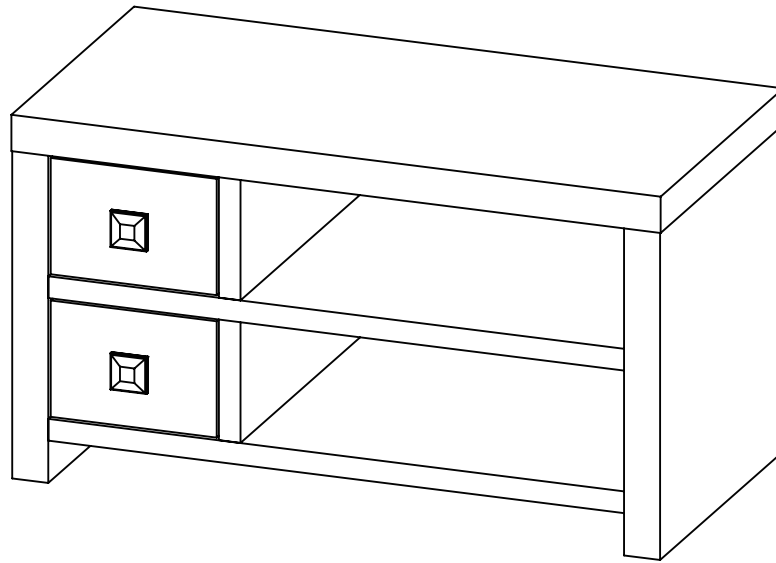


# JAKARTA TWO DRAWER TV UNIT ASSEMBLY INSTRUCTIONS

Thank you for purchasing the Jakarta Two Drawer TV Unit.  
Please read the instructions carefully to ensure safe operation of this product.



Size: 90 x 45 x 50 cm (WDH)

Colour: Mango

Finish: Melamine Veneer

---

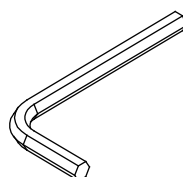
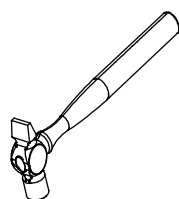
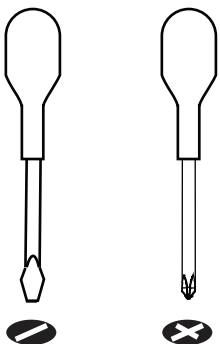
**PLEASE READ** this sheet prior to assembly to familiarise yourself with the various stages of construction.

Carefully open the pack supplied and check the contents against the parts and fittings check list. Do not destroy any of the packaging until you are certain that you have all the necessary parts for the assembly.

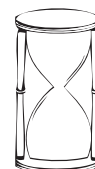
**CAUTION:** There are small components used in the construction of this unit. These loose items should be kept away from young children whilst assembling your unit to avoid the danger of choking.

---

## Tools Required



Number of people



1 Hour  
Set Up

## **IMPORTANT - READ CAREFULLY - RETAIN THESE INSTRUCTIONS FOR FUTURE REFERENCE.**

### **INFORMATION**

- This product is designed to hold 30Kg in total, spread evenly over the whole unit.
- Do not exceed this weight.
- We recommend that this unit is assembled in the room intended for use.
- When you are ready to start, make sure that you have the right tools, plenty of space and a clean, dry area for assembly.
- Unwrap all packaging materials and place the components on top of the carton box or on a clean floor to prevent them from scratching.
- Check the pack and make sure you have all the parts listed.
- Ensure that this product is fully assembled as illustrated before use.
- Check all screws or bolts are tightened and inspect regularly
- Tools not included unless specified in parts list.

### **WARNINGS**

- This product should only be used on a firm and level floor.
- Keep small parts out of the reach of children.
- Make sure the base remain in contact with the floor.
- DO NOT use power tools to construct this product.
- DO NOT tighten screws until parts are assembled or as advised in this guide.
- DO NOT over tighten screws or bolts.
- DO NOT use this product if parts are missing, damaged or worn.
- DO NOT sit or stand on the product.

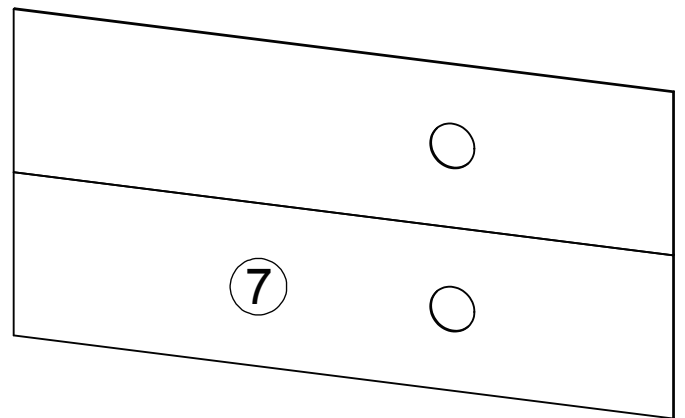
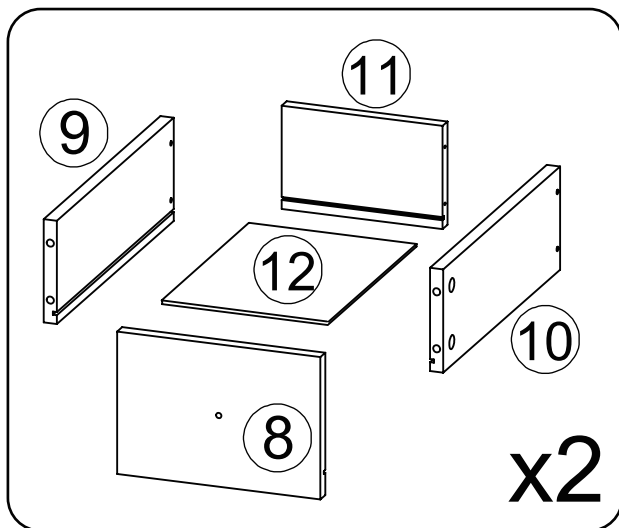
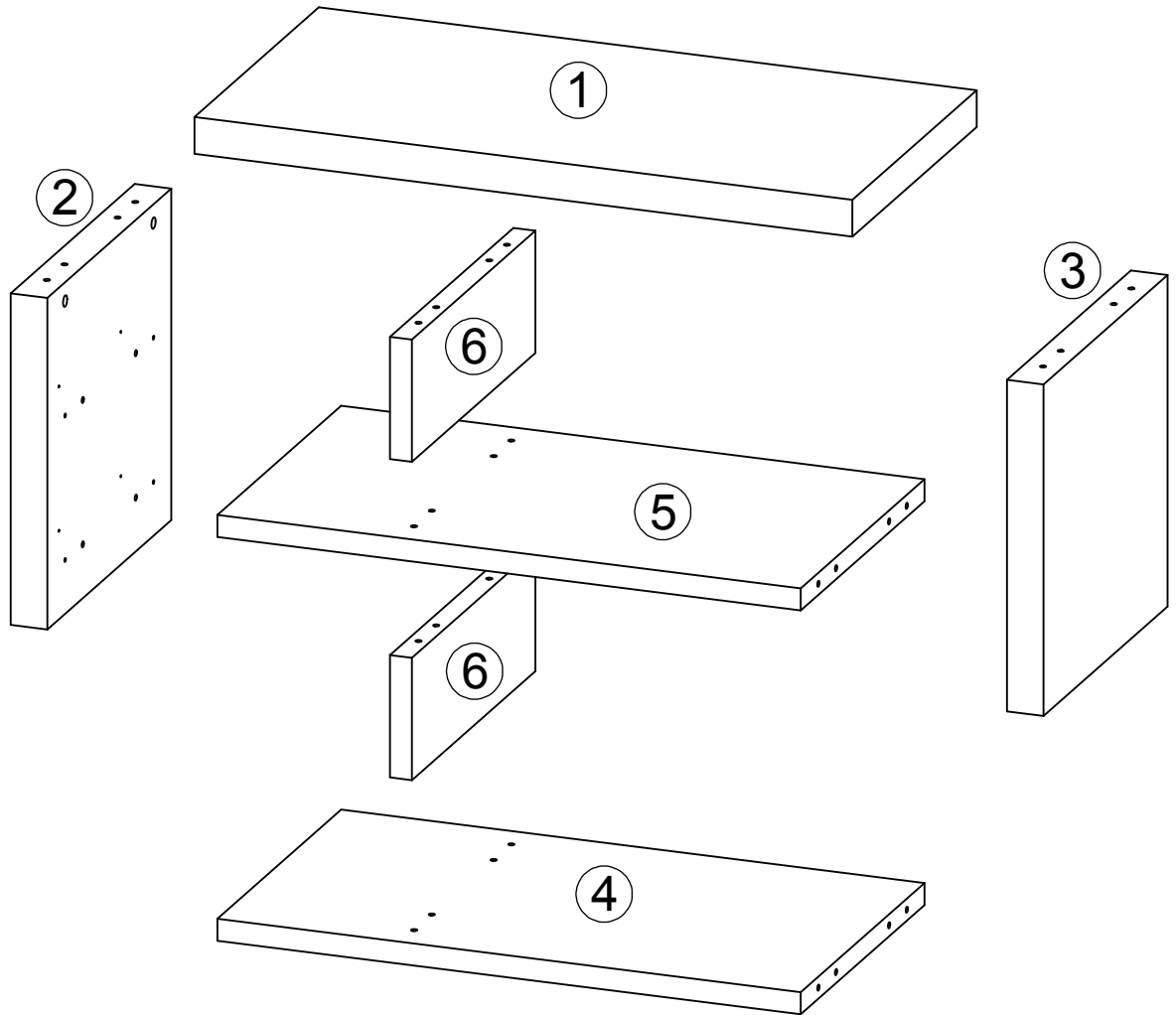
### **CARE INFORMATION**

- Never use scourers, abrasives or chemical cleaners.
- To clean, wipe with a damp sponge and warm soapy water.
- Do not use solvent based cleaners or detergents as they can bleach or damage the product.

## Parts and Fittings Checklist

Please check the pack contents before assembling the product. If any components are missing, please contact your retailer.

The fittings pack contains small items that should be kept away from children.

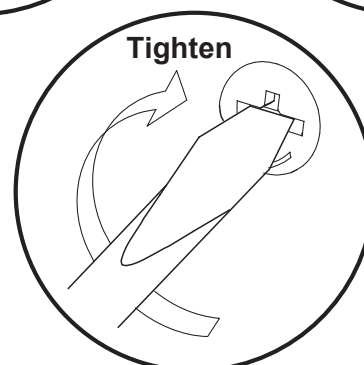
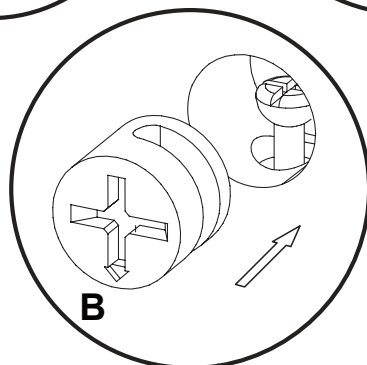
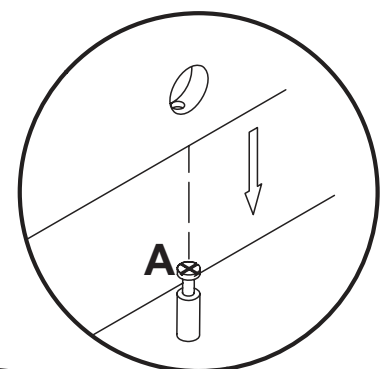
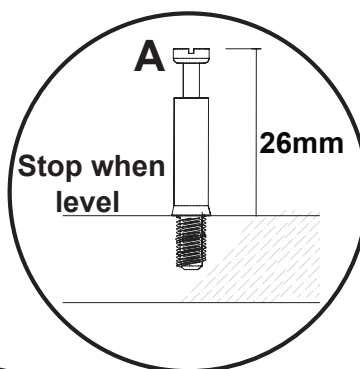
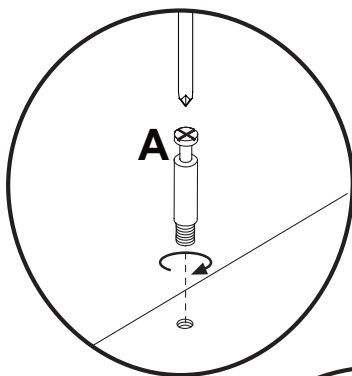


# JAKARTA TWO DRAWER TV UNIT ASSEMBLY INSTRUCTIONS

All parts are packed in one carton

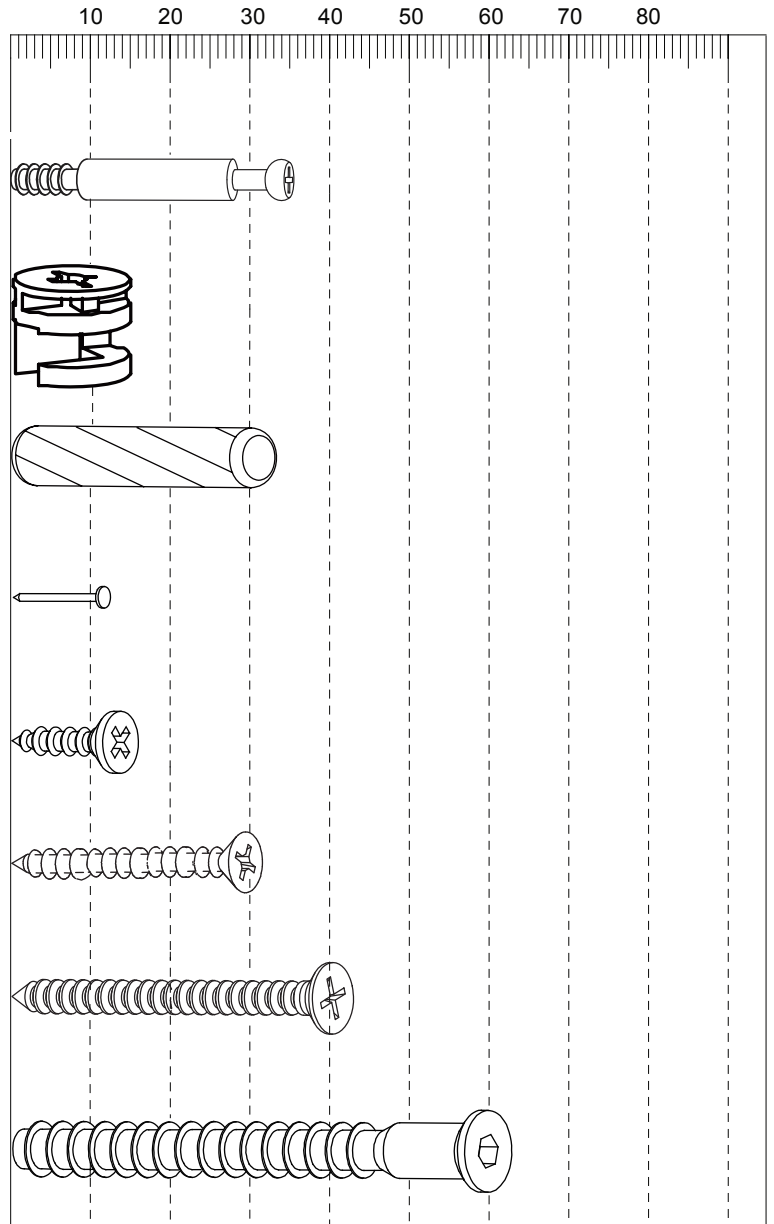
1	2	3
Description: Top Panel Qty: 1 Size: 900 x 450 x 50 mm Carton No: 1/1	Description: LH Side Panel Qty: 1 Size: 450 x 449 x 50 mm Carton No: 1/1	Description: RH Side Panel Qty: 1 Size: 450 x 449 x 50 mm Carton No: 1/1
4	5	6
Description: Base Panel Qty: 1 Size: 798 x 448 x 30 mm Carton No: 1/1	Description: Fixed Shelf Qty: 1 Size: 798 x 448 x 30 mm Carton No: 1/1	Description: Divider Panels Qty: 2 Size: 447 x 166 x 30 mm Carton No: 1/1
7	8	9
Description: Back Panels Qty: 1 Size: 896 x 440 x 3 mm Carton No: 1/1	Description: Drawer Front Qty: 2 Size: 230 x 160 x 15 mm Carton No: 1/1	Description: LH Drawer Side Qty: 2 Size: 350 x 116 x 15 mm Carton No: 1/1
10	11	12
Description: RH Drawer Side Qty: 2 Size: 350 x 116 x 15 mm Carton No: 1/1	Description: Drawer Back Qty: 2 Size: 182 x 116 x 15 mm Carton No: 1/1	Description: Drawer Base Qty: 2 Size: 343 x 190 x 3 mm Carton No: 1/1

## General Hints & Tips



## Fittings (to scale)

Code	Item	Quantity
A	Cam Bolt (35mm overall)	24
B	Cam Lock	24
C	Dowel (8x30mm)	20
D	Nail for Fitting Back Panel (2x12mm)	12
E	Screw for Fitting Runner and Back Panel (3x12mm)	34
F	Screw for Fitting Handle (4x30mm)	2
G	Screw for Drawer Part (3.5x40mm)	8
H	Carcass Screw for Fitting Divider Panel to Fixed Shelf and Fitting Base (M7x60mm)	4



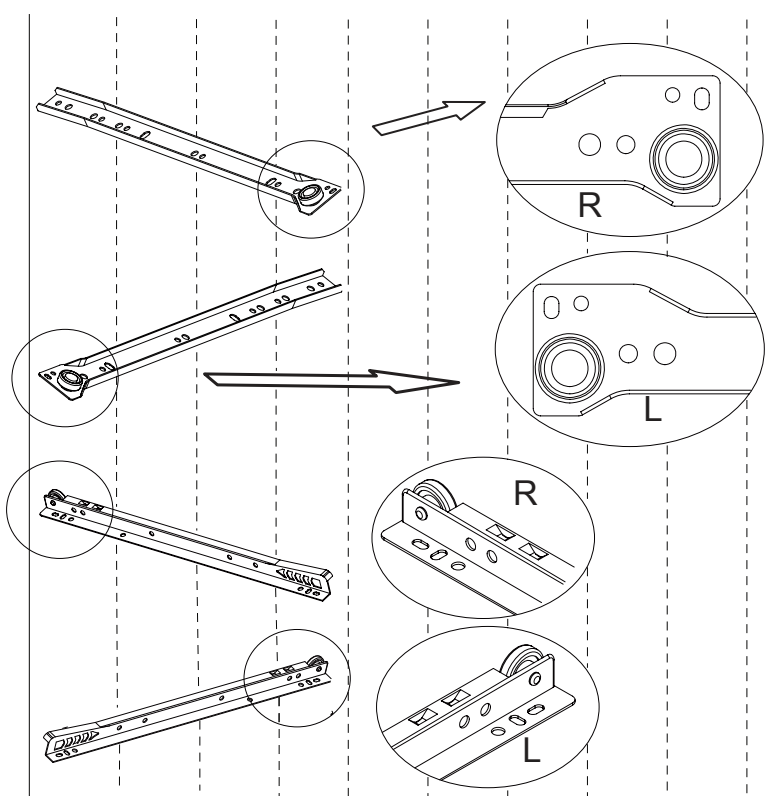
## Fittings (not to scale)

Code	Item	Quantity
K	Cam Lock Cover	10
L	Handle	2
M	Allen Key (4mm)	1



## Fittings (not to scale)

Code	Item	Quantity
N	Outer Drawer Runner - Right	2
P	Outer Drawer Runner - Left	2
Q	Inner Drawer Runner - Right	2
R	Inner Drawer Runner - Left	2



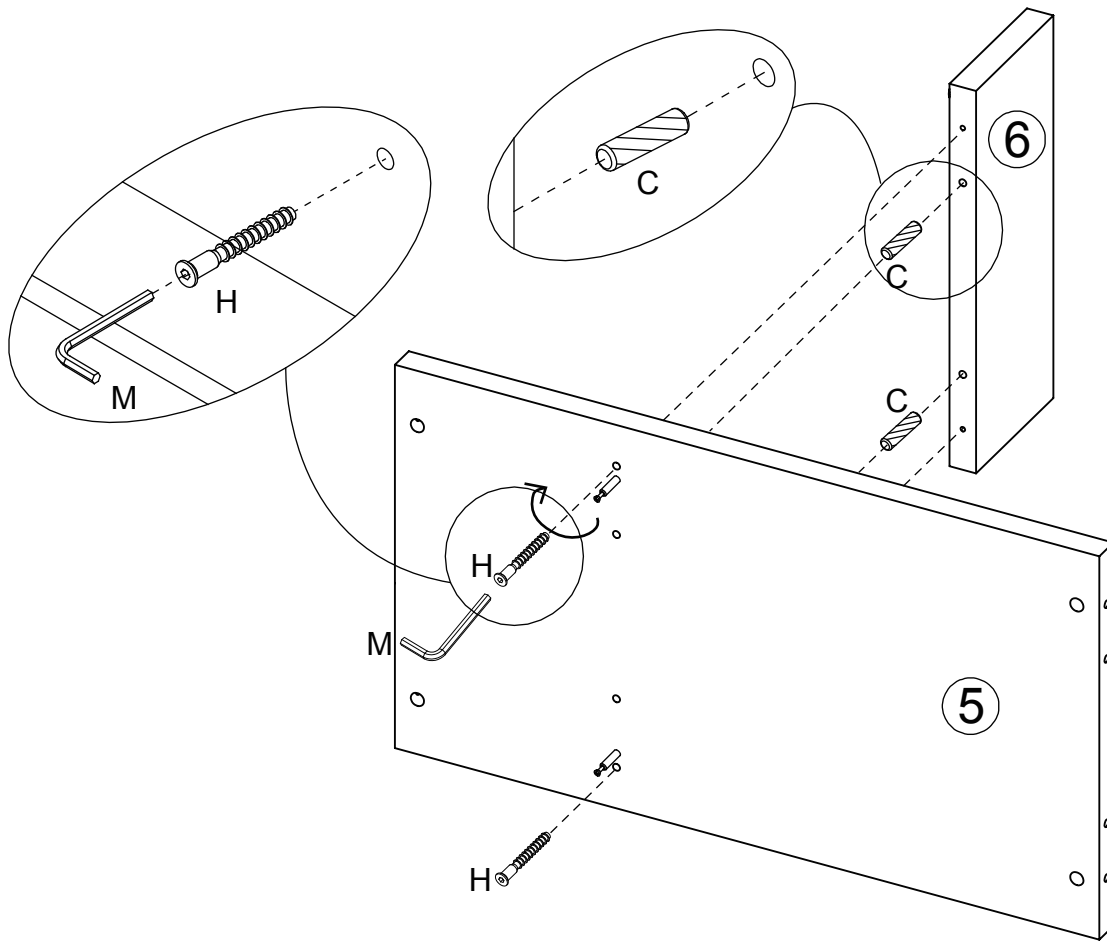
## STEP 1

For this step:  
**Tools required**

**Fittings required**

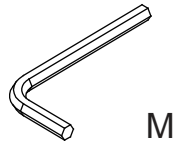
- A x2
- E x4
- N x2

## STEP 2

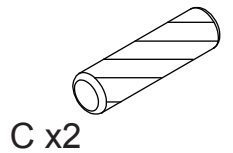


For this step:

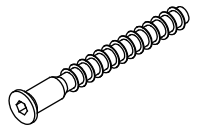
**Tools required**



**Fittings required**

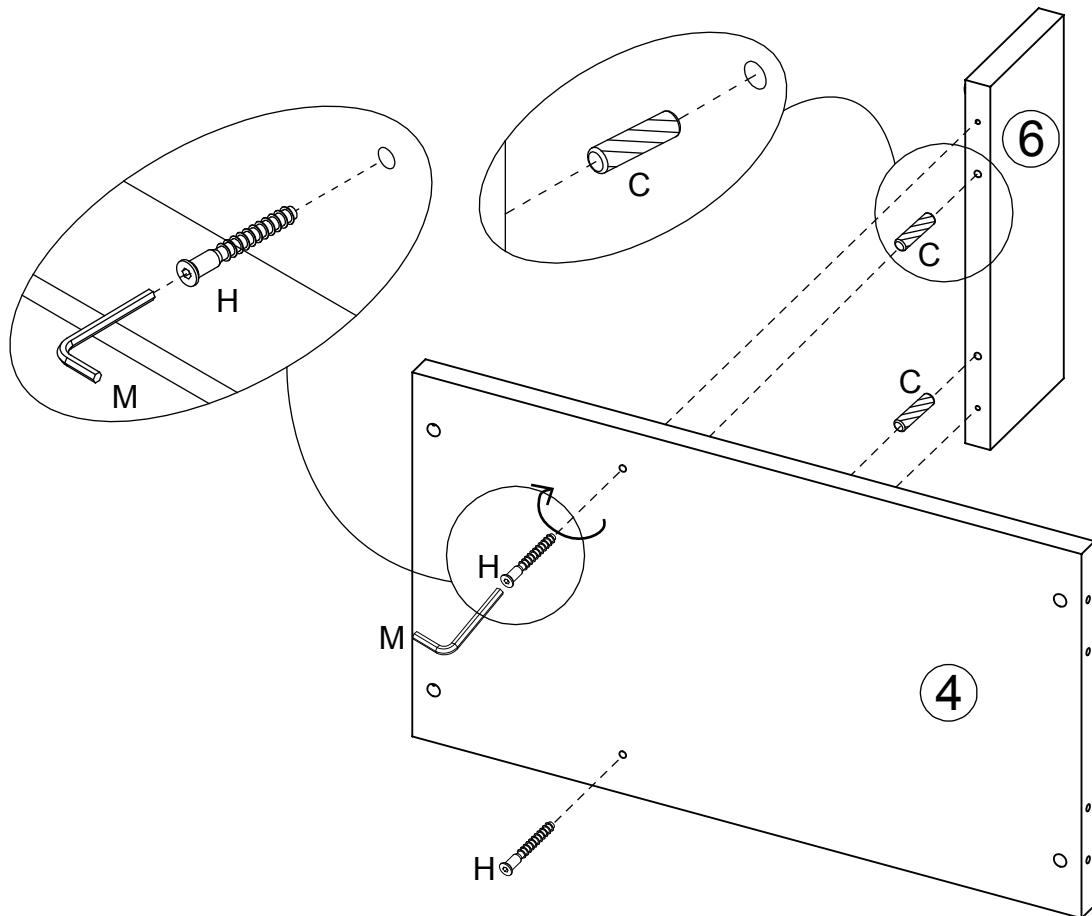


C x2



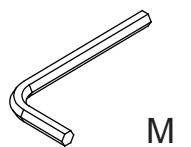
H x2

## STEP 3

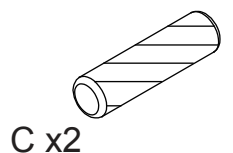


For this step:

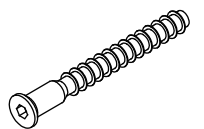
**Tools required**



**Fittings required**

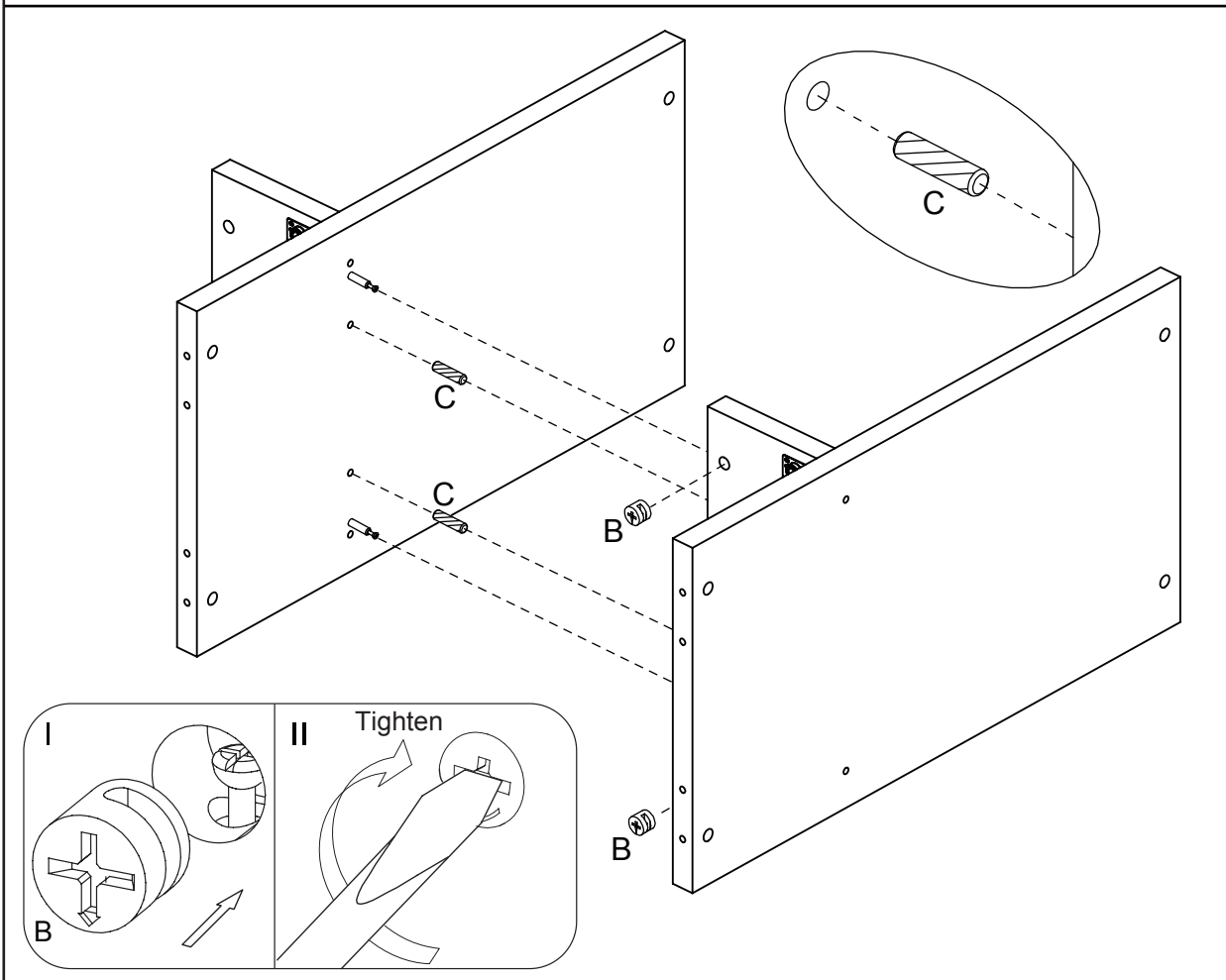


C x2



H x2

## STEP 4



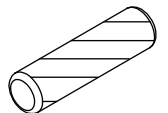
For this step:  
**Tools required**



**Fittings required**

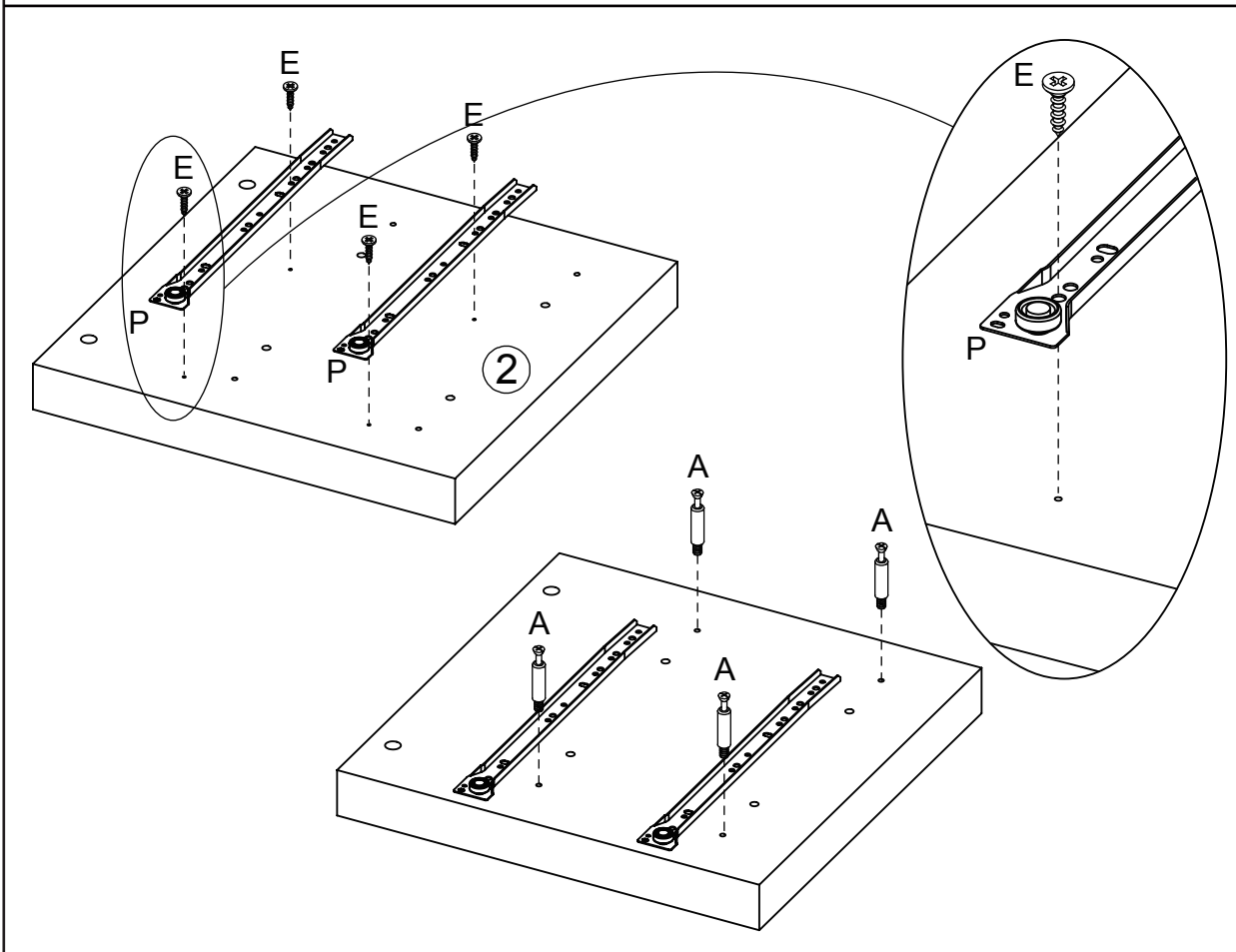


B x2

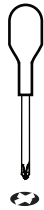


C x2

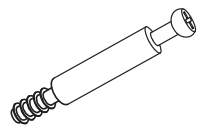
## STEP 5



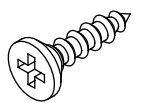
For this step:  
**Tools required**



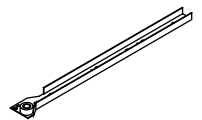
**Fittings required**



A x4



E x4



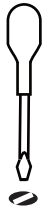
P x2



**STEP 6**

For this step:

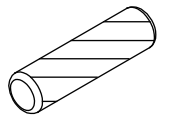
**Tools required**



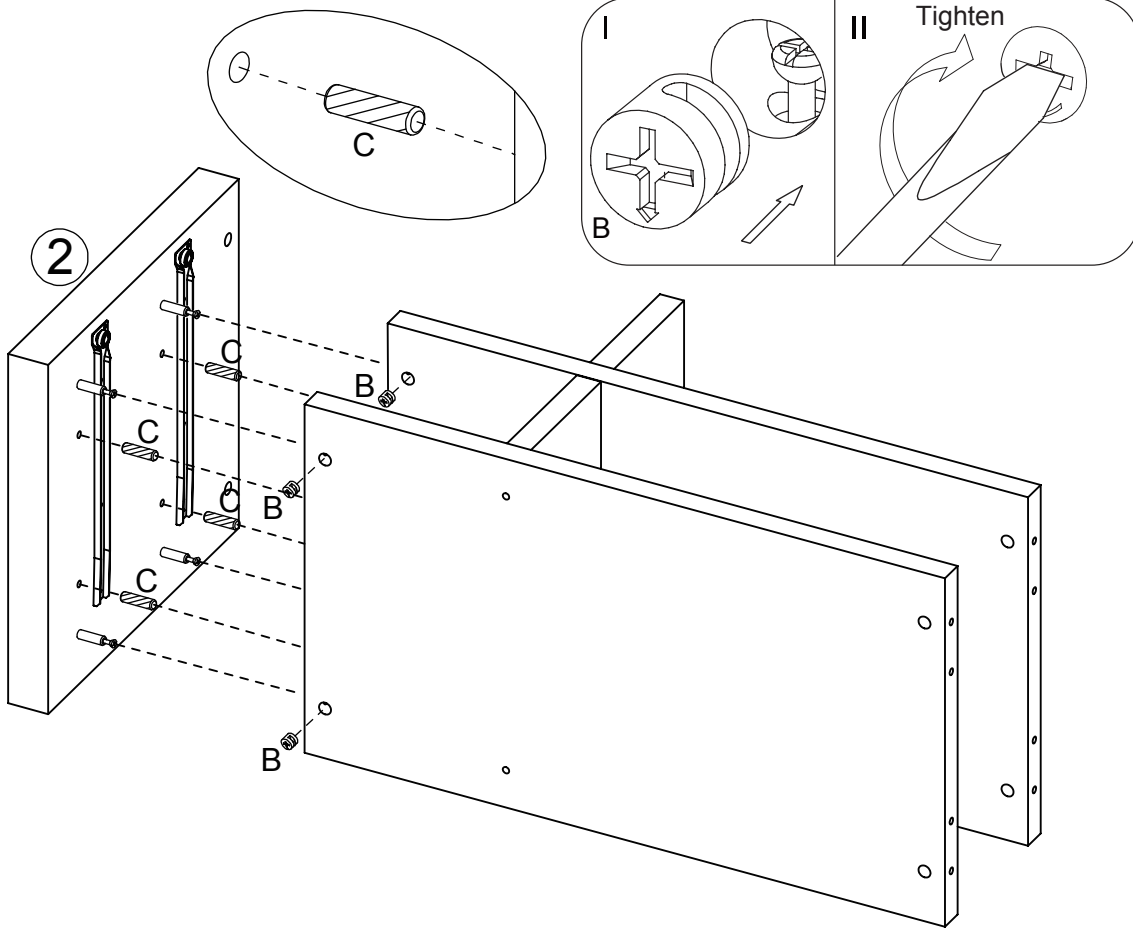
**Fittings required**



B x4



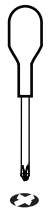
C x4



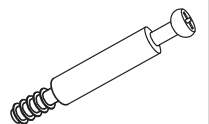
**STEP 7**

For this step:

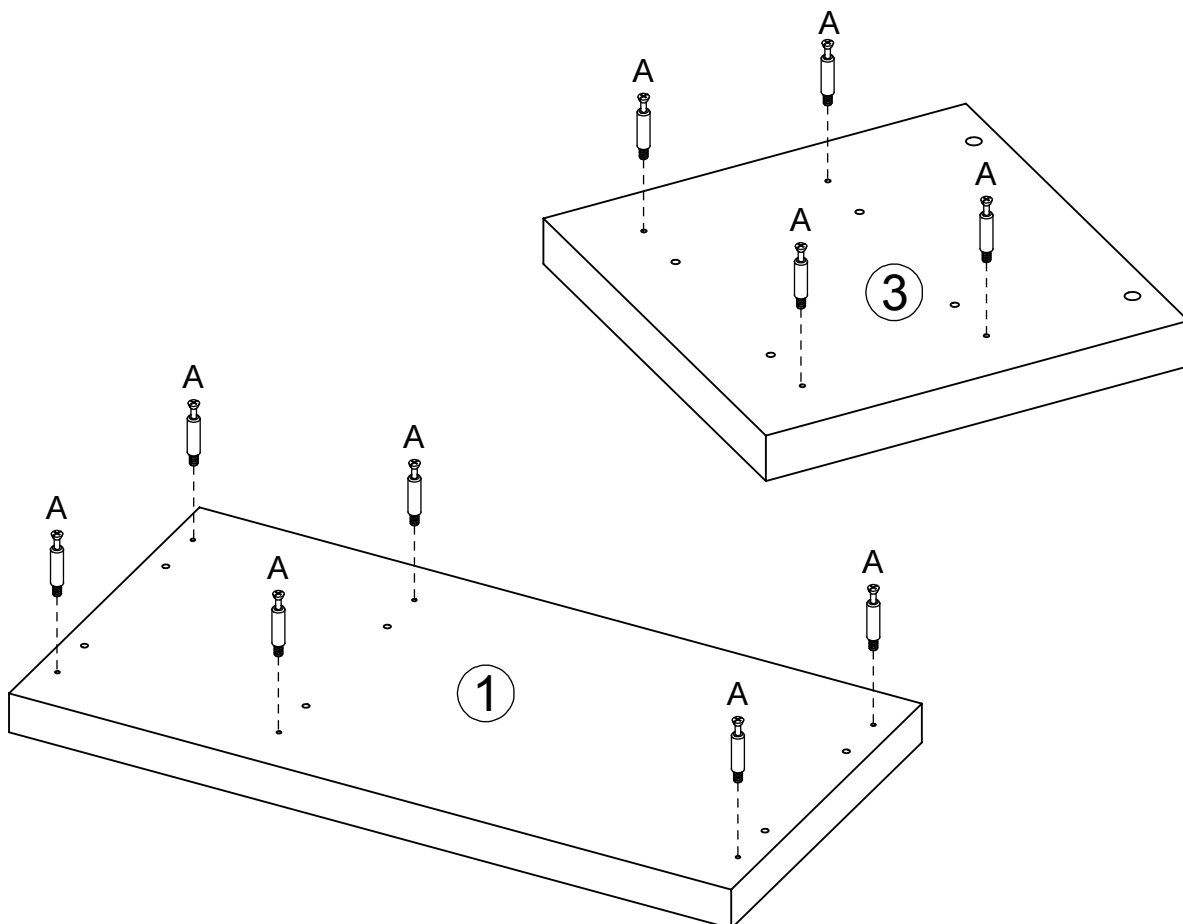
**Tools required**



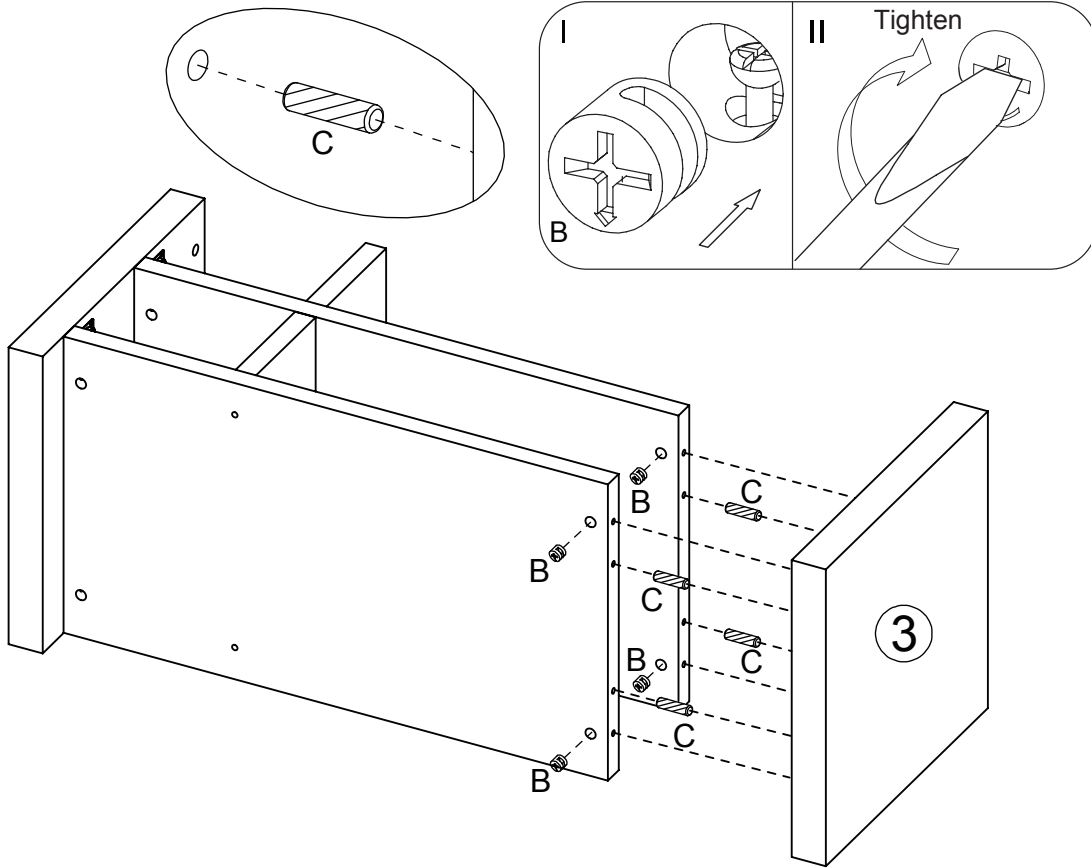
**Fittings required**



A x10



**STEP 8**



For this step:

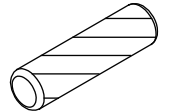
**Tools required**



**Fittings required**

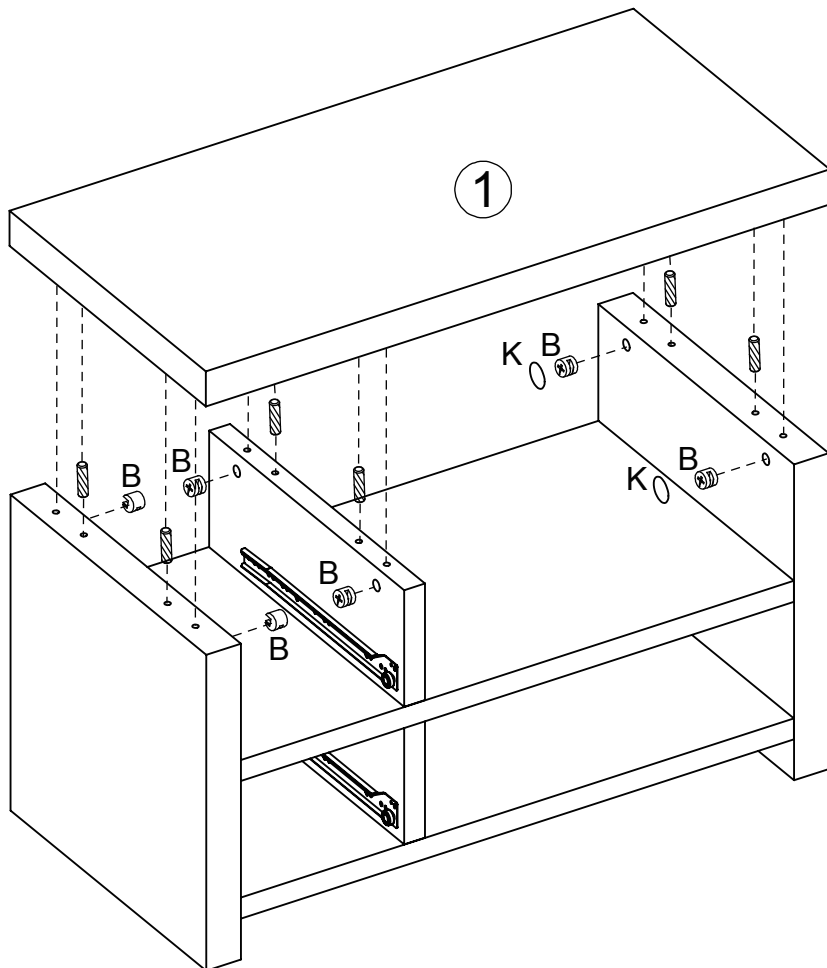


B x4



C x4

**STEP 9**



For this step:

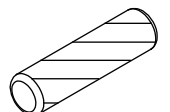
**Tools required**



**Fittings required**



B x6



C x6



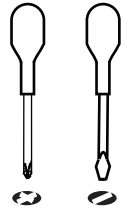
K x2

**STEP 10**

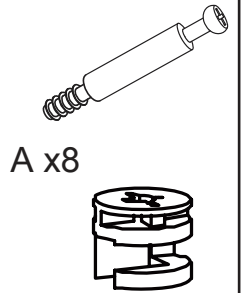
**x2**

For this step:

*Tools required*



*Fittings required*



A x8

B x8

E x8

F x2

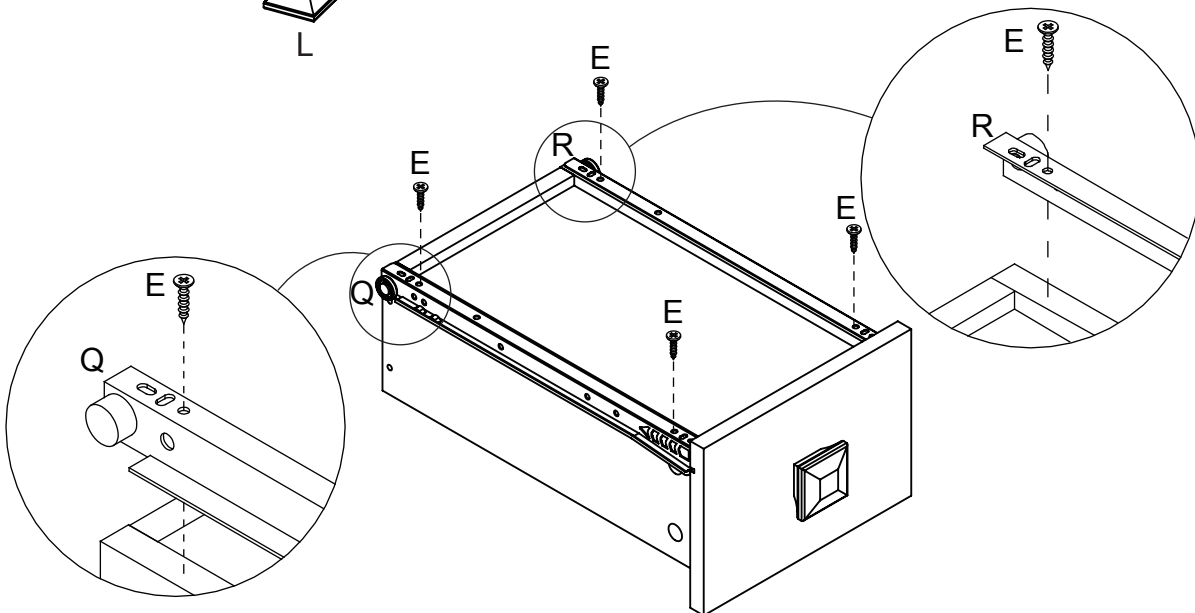
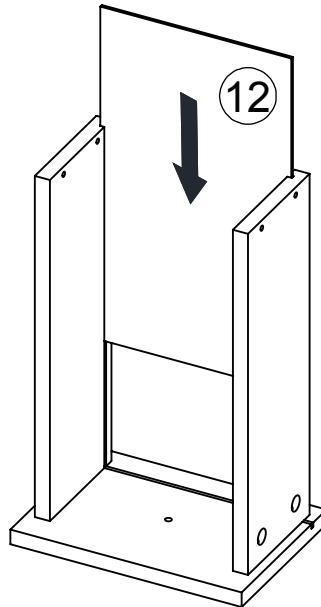
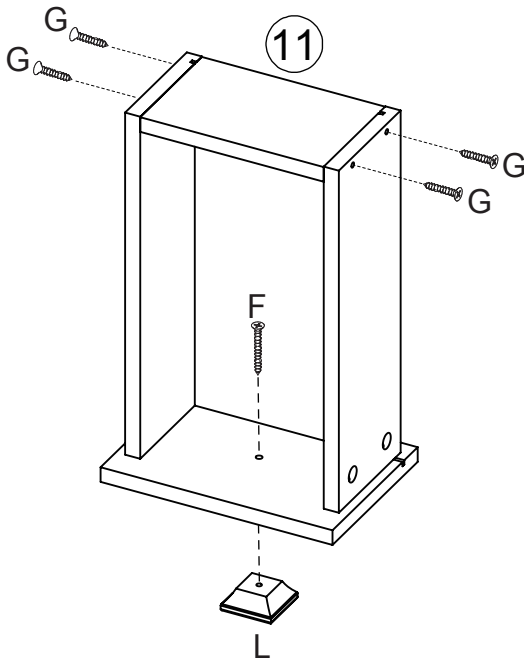
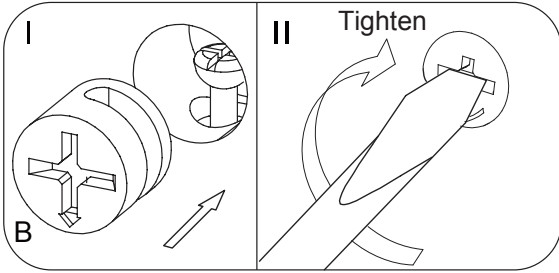
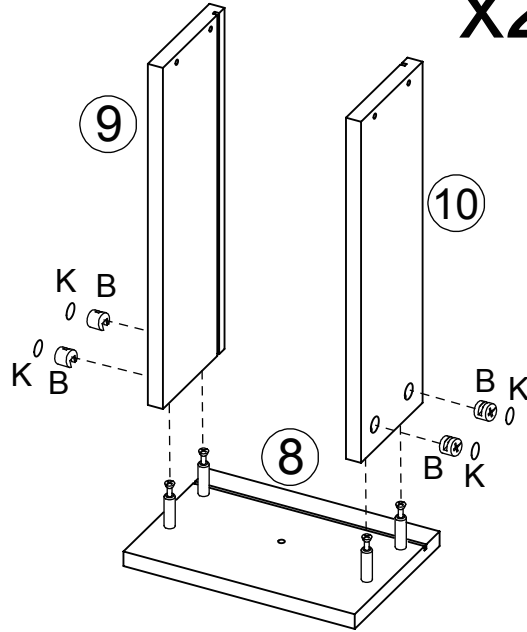
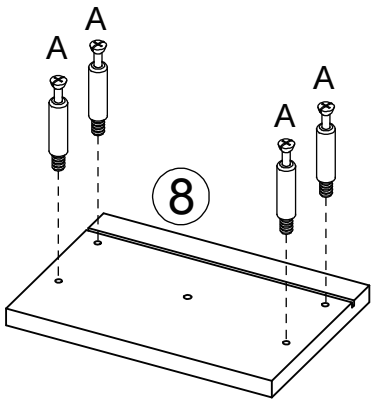
G x8

K x8

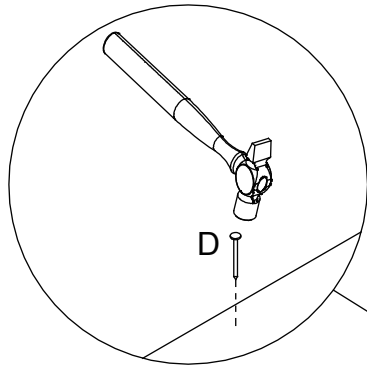
L x2

Q x2

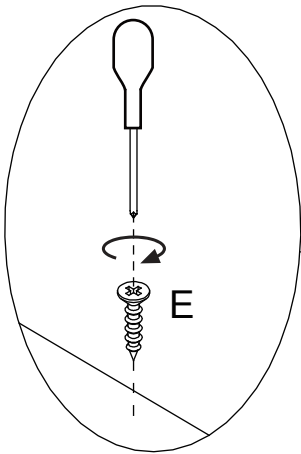
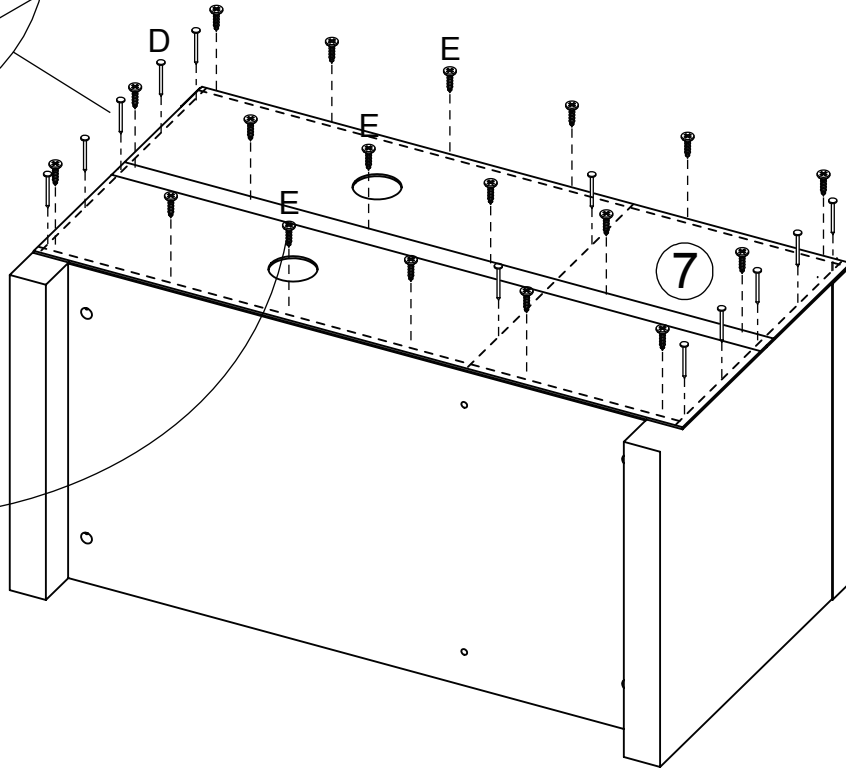
R x2



## STEP 11

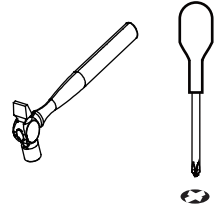


WHEN FIXING BACK IN PLACE, WOOD GRAIN FINISH SHOULD BE INSIDE

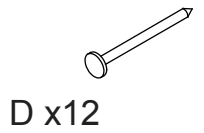


For this step:

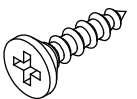
**Tools required**



**Fittings required**

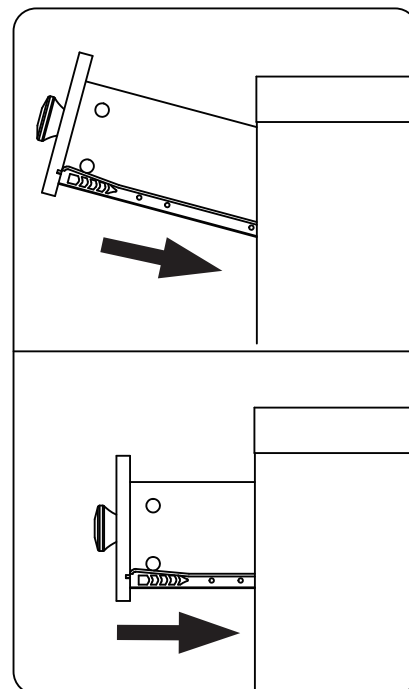
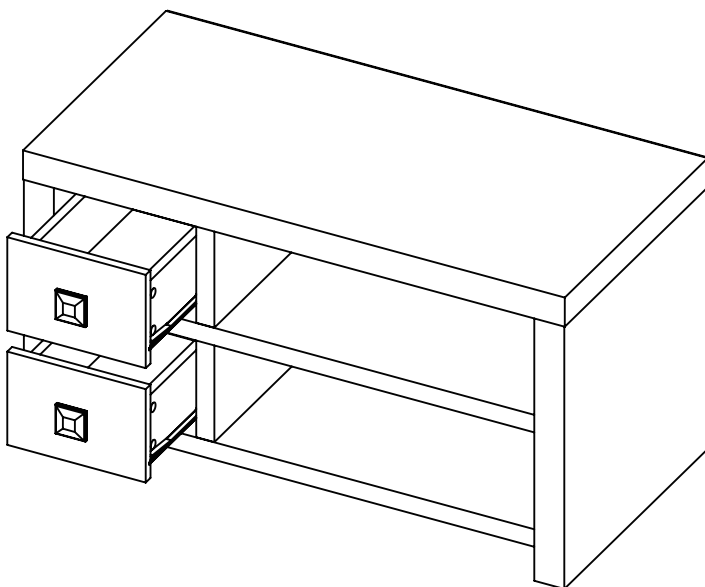


D x12



E x18

## STEP 12



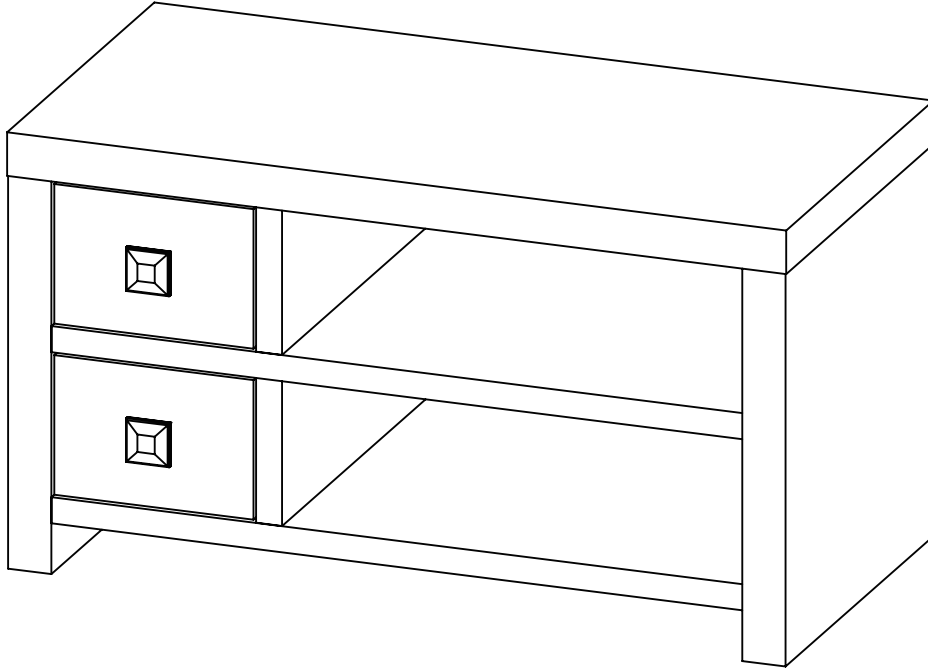
For this step:

**Tools required**

**Fittings required**

## Assembly Completed

Your Jakarta Two Drawer TV Unit is now completely assembled.  
Periodically check to ensure that the components are in their proper position, free from damage.  
Also, make sure the connectors are tight and secure.



**Keep instructions for future reference**

